

H39368

-UN-01JAN94



JOHN DEERE 9500 AND SIDEHILL 9500 MAXIMIZER COMBINES

9500 (1989-)
SH9500 (1992-)

(SPECIFICATIONS AND DESIGN SUBJECT TO CHANGE WITHOUT NOTICE)

NOTE

FOR 900 SERIES PLATFORM PARTS INFORMATION, REFER TO JOHN DEERE 900 SERIES PLATFORM PARTS CATALOG - PC-2104.

FOR 40 SERIES CORN HEAD PARTS INFORMATION, REFER TO JOHN DEERE 40 SERIES CORN HEAD PARTS CATALOG - PC-1223.

FOR 50A SERIES ROW-CROP HEAD PARTS INFORMATION, REFER TO JOHN DEERE 50A SERIES ROW-CROP HEAD PARTS CATALOG - PC-1747.

FOR THREE-ROLLER BELT PICKUP PARTS INFORMATION, REFER TO JOHN DEERE THREE-ROLLER BELT PICKUP PARTS CATALOG - PC-2210.

FOR 918 AND 920 DRAPER PARTS INFORMATION, REFER TO JOHN DEERE 918 AND 920 DRAPER PLATFORMS PARTS CATALOG - PC-2212.

FOR 90 SERIES CORN HEAD PARTS INFORMATION, REFER TO JOHN DEERE 90 SERIES CORN HEAD PARTS CATALOG - PC-2404.

IMPORTANT

THIS PARTS CATALOG CONTAINS PARTS INFORMATION FOR THE 9500 AND SIDEHILL 9500 MAXIMIZER COMBINES. VINTAGE IS DETERMINED BY THE COMBINE SERIAL NUMBER OR THE PRODUCT IDENTIFICATION NUMBER (PIN). IT IS IMPORTANT THAT THE CORRECT NUMBERS BE USED WHEN ORDERING PARTS.

PRODUCT INFORMATION NUMBER (PIN) PLATE

THE PRODUCT IDENTIFICATION PLATE (PIN) IS LOCATED NEAR THE RIGHT-HAND SIDE OF THE TOOL BOX.
AN EXAMPLE OF THE TWO-LINES ON THIS PIN PLATE IS:

HO9500X640201
COMBINE

(FIRST LINE)

HO - MANUFACTURING UNIT (HARVESTER WORKS)

9500 - MODEL IDENTIFIER

X - CONFIGURATION CODE/MODEL IDENTIFIER SUFFIX

640201 - SEQUENTIAL NUMBER USED IN SERIAL NO. COLUMN

(SECOND LINE)

COMBINE - TYPE OF PRODUCT

COPYRIGHT (C) 1999. DEERE & COMPANY. MOLINE, ILLINOIS. ALL RIGHTS RESERVED.

THE ENGINE SERIAL NUMBER IS LOCATED ON THE RIGHT-HAND SIDE OF THE ENGINE BLOCK.

EXAMPLE OF 190 HP ENGINE

HP4064 -UN-01JAN94

HP4064 1 2 3 4 5 6 7
 | | | | | | |
 [6] [076] [T] [H] [001] [111337] [RG]

1. NUMBER OF CYLINDERS -6-
2. LITRE DISPLACEMENT -076-
3. TYPE OF AIR INTAKE -T-
4. FACTORY USER -H- HARVESTER
5. ENGINE VERSION (FIRST) -001-
6. ENGINE SERIAL NUMBER -111337-
7. ENGINE MANUFACTURER -RG- JOHN DEERE ENGINE WORKS

PARTS LISTING INFORMATION

SERIAL NUMBER OR PRODUCT IDENTIFICATION NUMBER (PIN) INFORMATION SHOWS ON WHICH MACHINES PART MAY BE USED; FOR EXAMPLE:

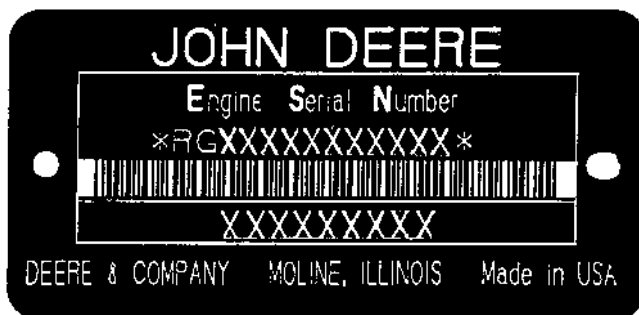
- THE PART CAN BE USED ON ALL MACHINES.
- 000000 THE PART CAN BE USED ON ALL MACHINES UP TO AND INCLUDING THE SERIAL NUMBER LISTED.
- 000000- THE PART CAN BE USED ON ALL MACHINES BEGINNING WITH THE SERIAL NUMBER LISTED.
- 000000-000000 THE PART CAN BE USED ON ALL MACHINES BETWEEN AND INCLUDING SERIAL NUMBERS LISTED.

WHEN XXXXXX'S ARE LISTED IN PLACE OF A SERIAL NUMBER, A SERIAL NUMBER CHANGE WAS MADE, BUT THE EXACT SERIAL NUMBER WAS NOT AVAILABLE WHEN THE CATALOG WAS PRINTED.

SHORT BLOCK SERIAL NUMBER PLATE

(-RGSB076882500)

RGP3513 -UN-01JAN94



RGP3513

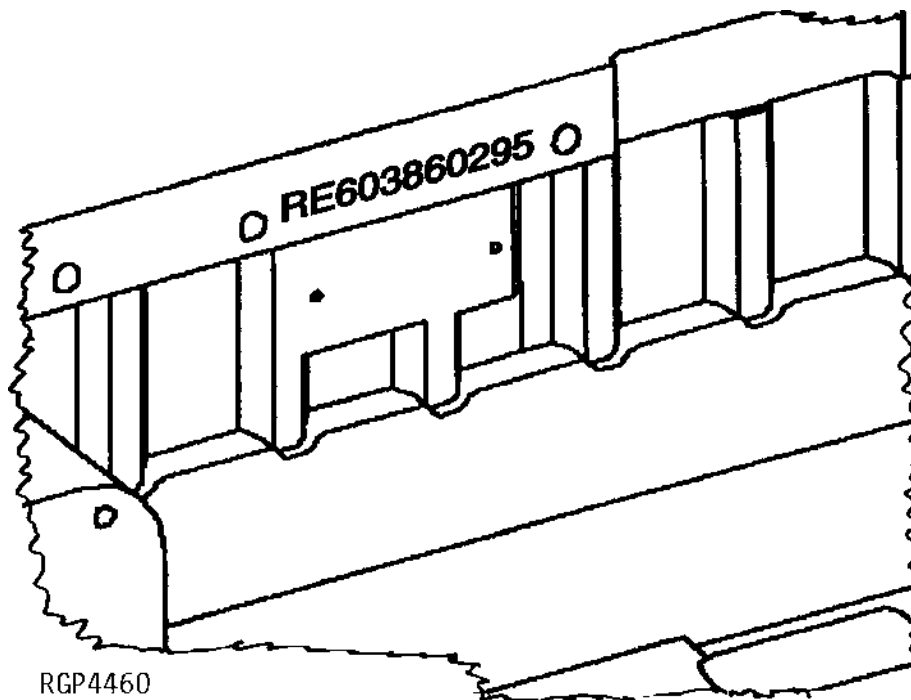
THE REPLACEMENT SHORT BLOCK ASSEMBLY HAS A SERIAL NUMBER PLATE ATTACHED. THE ORIGINAL ENGINE SERIAL NUMBER MUST BE STAMPED ONTO THE NEW PLATE IN THE BLANK SPACE PROVIDED, AS A REFERENCE FOR YOUR DEALER. THE PLATE CAN BE ATTACHED WITH (2) 37H44 DRIVE SCREWS.

- | | |
|---------------------------------------|----------------------------|
| 1. DESIGNATES ENGINE MANUFACTURER | RG - WATERLOO ENGINE WORKS |
| 2. DESIGNATES REPLACEMENT SHORT BLOCK | SB |
| 3. DESIGNATES LITERS | XXX- 076 (7.6) |
| 4. DESIGNATES THE PRODUCTION DATE | 8825 |
| 5. DESIGNATES COMPONENT SEQUENCE | 00 |

SHORT BLOCK SERIAL NUMBER IDENTIFICATION

(RE603860295-)

RGP4460 -UN-04MAR95



SERIAL NUMBER STAMPED INTO CASTING OF BLOCK NEAR PREVIOUS SERIAL NUMBER PLATE.

EXAMPLE: RE603860295

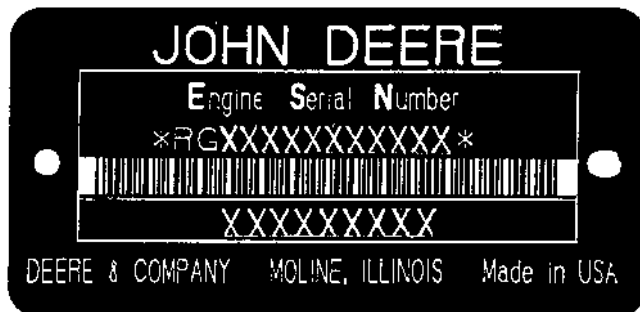
- | | |
|-----------------------------------|---------|
| 1. DESIGNATES SERVICE PART NUMBER | RE60386 |
| 2. DESIGNATES MONTH ASSEMBLED | 02 |
| 3. DESIGNATES YEAR ASSEMBLED | 95 |

1A8

9500 AND SIDEHILL 9500 MAXIMIZER™ COMBINES

TWO LINE BAR CODED ENGINE SERIAL NUMBER PLATE AND ADDITIONAL ENGINE INFORMATION (LOCATED ON FUEL INJECTION PUMP SIDE OF ENGINE)

RGP3513 -UN-01JAN94



RGP3513

FIRST LINE

DEFINES

RG - WATERLOO ENGINE WORKS

DESIGNATES ENGINE MANUFACTURER.

6

DESIGNATES NUMBER OF CYLINDERS.

076 (7.6 LITERS)

DESIGNATES LITER DISPLACEMENT.

T - TURBOCHARGED

DESIGNATES AIR INTAKE SYSTEM.

OR

H - AIR-TO-AIR

H

DESIGNATES HARVESTER WORKS VEHICLE.

XXXXXX

DESIGNATES ENGINE SERIAL NUMBER.

SECOND LINE

6076XXXXX

DESIGNATES ENGINE APPLICATION

ADDITIONAL ENGINE INFORMATION

ENGINE MODEL	ENGINE SERIAL NO.	APPLICATION
6076TH001 (190 H.P.) (-499999)	(9500 STD ENGINE)
6076HH003 (215 H.P.) (-499999)	(9500 STD ENGINE)
6076HH004 (235 H.P.) (-499999)	(9500 OPT ENGINE)
6076HH031 (215 H.P.)	(500000-565942)	(9500 STD ENGINE)
6076HH032 (235 H.P.)	(500000-567570)	(9500 OPT ENGINE)
6076HH032 (235 H.P.)	(500000-567570)	(9500 SIDE HILL ENGINE)
6076HH035 (218 H.P.)	(565943-)	(9500 STD ENGINE)
6076HH036 (238 H.P.)	(567571-)	(9500 OPT ENGINE)
6076HH036 (238 H.P.)	(567571-)	(9500 SIDEHILL)

DIRECTION ARROW

ARROWS ARE USED WITH ILLUSTRATIONS TO INDICATE THE FRONT OF THE UNIT. "RIGHT-HAND" AND "LEFT-HAND" SIDES ARE DETERMINED BY FACING IN THE DIRECTION OF MACHINE FORWARD TRAVEL.

BOX-ENCLOSED ILLUSTRATIONS

A KEY NUMBER, SHOWN IN THE PARTS LIST, IS ASSIGNED TO A BOX ENCLOSING ALL PARTS SOLD AS A SERVICE ASSEMBLY. A BOX NOT KEYED INCLUDES NON-CURRENT PARTS.

KITS

KIT INFORMATION WILL BE FOUND IMMEDIATELY FOLLOWING THE STORY IN WHICH IT IS USED. THE ILLUSTRATION IS REPEATED WITH ONLY THE KIT PARTS CALLED OUT AND WITH ALL OTHER PARTS SHOWN IN PHANTOM.

JDM REMANUFACTURED COMPONENTS

THE SERVICE PARTS LISTED IN THIS CATALOG ARE INTENDED FOR THE REPAIR OF ORIGINAL EQUIPMENT COMPONENTS. ALTHOUGH MOST SERVICE PARTS MAY BE USED TO REPAIR REMANUFACTURED COMPONENTS, THE REMANUFACTURED DESIGN MAY CHANGE PARTS SUFFICIENTLY SO THAT SERVICE PARTS ARE INADEQUATE OR NOT USABLE.

BOLT AND CAP SCREW STRENGTH IDENTIFICATION

BOLTS AND CAP SCREWS REQUIRED TO HAVE HIGH-STRENGTH QUALITIES EQUIVALENT TO SAE GRADE 8 ARE IDENTIFIED THROUGHOUT THIS CATALOG BY THE DESCRIPTION HS SAE 8. ALL STANDARD BOLTS AND CAP SCREWS ARE SAE GRADE 5 OR LOWER. BOLTS AND CAP SCREWS REQUIRED TO HAVE HIGH-STRENGTH QUALITIES EQUIVALENT TO PROPERTY CLASS 10.9 ARE IDENTIFIED THROUGHOUT THIS CATALOG BY THE DESCRIPTION 10.9. ALL STANDARD BOLTS AND CAP SCREWS ARE PROPERTY CLASS 8.8 OR LOWER.

SI UNITS OF MEASURE

METRIC DIMENSIONS ARE GIVEN, WHERE APPLICABLE, THROUGHOUT THIS PARTS CATALOG.

FOR INDIVIDUAL HEADER PARTS CATALOGS REFER TO:

PC2104 - PARTS CATALOG FOR JOHN DEERE 900 SERIES PLATFORMS

PC2210 - PARTS CATALOG FOR JOHN DEERE THREE ROLLER BELT PICKUP

PC2212 - PARTS CATALOG FOR JOHN DEERE 918 AND 920 DRAPER PLATFORMS

PC1747 - PARTS CATALOG FOR JOHN DEERE 50A SERIES ROW-CROP HEADS

PC1223 - PARTS CATALOG FOR JOHN DEERE 40 SERIES CORN HEADS

PC2404 - PARTS CATALOG FOR JOHN DEERE 90 SERIES CORN HEADS

TRADEMARKS

THROUGHOUT THIS PARTS CATALOG, YOU WILL FIND THE FOLLOWING DEERE & COMPANY TRADEMARKS:

DIAL-A-SPEED™

DIAL-A-MATIC™

HARVESTRAK™

CONTOUR MASTER™

POSI-TORQ™

TORQ-GARD SUPREME®

QUIK-TATCH™

CHANGE INDICATOR LINE

CHANGES AFFECTING THE ORDERING OF PARTS ARE IDENTIFIED BY VERTICAL LINES MARKED IN THE LEFT-HAND MARGIN OF REVISED PARTS LISTING IMAGES. A LINE IS ALSO AT THE LEFT-HAND EDGE OF THE SAME PART NUMBER IN THE NUMERICAL INDEX TO SHOW THE LOCATION OF REVISED INFORMATION.

FUNCTION CODE

(EXAMPLE - FC: 5000)

FUNCTION CODES ARE LOCATED ON EACH PAGE IN THE UPPER RIGHT-HAND CORNER IN THE BOX. THE CODE LISTED IS A GROUPING CODE THAT CAN BE USED FOR WARRANTIES AND FOR DTAC TO IDENTIFY CERTAIN AREAS.

COMPLETE GOODS LISTINGS

COMPLETE GOODS ARE IN BOLD FACE TYPE. ORDER SEPARATELY. DO NOT INCLUDE ON REPLACEMENT PARTS ORDER.

SECTION INDEX

- SECTION 10 - GENERAL INFORMATION
- SECTION 20 - ENGINE FAN, INTERCOOLER AND SCREENS
- SECTION 25 - 6076 ENGINE (SERIAL NUMBER -499999)
- SECTION 30 - 6076 ENGINE (SERIAL NUMBER 500000-)
- SECTION 32 - FUEL AND AIR
- SECTION 40 - ELECTRICAL - CONTINUED

- SECTION 50 - POWER TRAIN
- SECTION 60 - STEERING AND BRAKES
- SECTION 70 - HYDRAULICS
- SECTION 80 - SEPARATOR SHELL
- SECTION 90 - OPERATOR'S STATION
- SECTION 110 - FEEDER HOUSE
- SECTION 120 - THRESHING AND SEPARATION
- SECTION 121 - DRIVES
- SECTION 125 - RESIDUE DISPOSAL
- SECTION 130 - CLEAN GRAIN ELEVATOR, GRAIN TANK AND UNLOADING AUGER
- SECTION 160 - DIAL-A-MATIC HEADER HEIGHT CONTROL
- SECTION 170 - DECALS, BELTS AND CHAINS
- SECTION 180 - NUMERICAL INDEX

ALPHABETICAL INDEX

GRID	A	PAGE	GRID	PAGE	
7H22	A/C COMPRESSOR (650201-) R134A	90 - 94	6G3	AIR CONDITIONING CONDENSER AND OIL COOLER	70 - 100
7H23	A/C COMPRESSOR COVER (650201-) R134A	90 - 95	7H11	AIR CONDITIONING SYSTEM	90 - 82
7H22	A/C COMPRESSOR DIODE (650201-) R134A	90 - 94	7H13	AIR CONDITIONING SYSTEM, COMPRESSOR (-650200) R-12 REFRIGERANT	90 - 84
7H22	A/C COMPRESSOR MANIFOLD (650201-) R134A	90 - 94	7H15	AIR CONDITIONING SYSTEM, COMPRESSOR (650201-) R134A	90 - 86
7H23	A/C COMPRESSOR PULLEY (650201-) R134A	90 - 95	7H9	AIR CONDITIONING/HEATER AND PRESSURIZING FAN	90 - 80
7H22	A/C COMPRESSOR SEAL (650201-) R134A	90 - 94	7H7	AIR CONDITIONING/HEATER HOUSING AND FILTERS.....	90 - 78
7H25	A/C COMPRESSOR SEAL KIT (650201-) R134A	90 - 97	3D5	AIR CONDITIONER THERMOSTAT KIT (630201-640200)	40 - 24
1C15	A/C CONDENSER, AIR INTER COOLER AND RADIATOR WITH OIL COOLER	20 - 20	2G13	AIR DUCT, AIR CLEANER SIDEHILL (-645200)	32 - 12
7C5	ACCESS DOOR, ENGINE, HANDRAILS AND RADIATOR DOOR.....	80 - 8	1C2	AIR DUCT, ROTARY SCREEN.....	20 - 6
7D15	ACCESS SHIELD, L.H., SERVICE	80 - 42	1C1	AIR DUCT, ROTARY SCREEN (-640200)	20 - 4
7D13	ACCESS SHIELD, R.H., SERVICE	80 - 40	7F11	AIR FILTER AND HOUSING, CAB	90 - 32
6D21	ACCUMULATOR AND MOUNTING, ONE GALLON (655201-)	70 - 42	3E15	AIR FILTER WARNING SWITCH, ENGINE PLUGGED	40 - 60
6D17	ACCUMULATOR AND MOUNTING, ONE-HALF GALLON (SINGLE)	70 - 38	2G15	AIR INTAKE TUBES, ENGINE (6076, HH032) (645201-)	32 - 14
6C6	ACCUMULATOR PRESSURE GAUGE AND WIRING HARNESS	70 - 2	1C15	AIR INTER COOLER, RADIATOR WITH OIL COOLER AND A/C CONDENSER	20 - 20
6D19	ACCUMULATOR, DUAL AND MOUNTING (-655200) ONE-HALF GALLON	70 - 40	7G6	AIR SEAT SUSPENSION (660201-).....	90 - 52
5C5	ACTUATOR, PARK BRAKE (-640200)	60 - 2	7G8	AIR SEAT SUSPENSION KITS (665201-)	90 - 54
2G11	ADAPTER, COLD WEATHER STARTING AID	32 - 10	7G10	AIR SEAT SUSPENSION KITS (665201-)	90 - 56
1C13	ADAPTER, ENGINE BLOCK COOLANT HEATER	20 - 18	7G12	AIR SEAT SUSPENSION KITS (665201-)	90 - 58
4C18	ADAPTER, TRANSMISSION.....	50 - 13	7G14	AIR SEAT SUSPENSION KITS (665201-)	90 - 60
3D22	ADAPTER, WIRING HARNESS (CONTOUR MASTER)	40 - 42	3D3	AIR SEAT WIRING HARNESS (660201-)	40 - 22
3C17	ADAPTOR HARNESS, DIAL-A-MATIC	40 - 12	7G8	AIR SUSPENSION KITS, SEAT (665201-)	90 - 54
7G2	ADJUST FORE-AND-AFT, SEAT	90 - 48	7G10	AIR SUSPENSION KITS, SEAT (665201-)	90 - 56
5D24	ADJUSTABLE REAR AXLE.....	60 - 45	7G12	AIR SUSPENSION KITS, SEAT (665201-)	90 - 58
5D25	ADJUSTABLE REAR AXLE.....	60 - 46	7G14	AIR SUSPENSION KITS, SEAT (665201-)	90 - 60
5E4	ADJUSTABLE REAR AXLE SPINDLE HOUSING	60 - 51	7G6	AIR SUSPENSION, SEAT (660201-)	90 - 52
9D19	ADJUSTING BRACKET, CYLINDER DRIVE, DUAL-RANGE	121 - 42	3E17	AIR TEMPERATURE SWITCH, INLET	40 - 62
7G20	ADJUSTING MECHANISM, ARMREST (640201-)	90 - 66	3E9	ALTERNATOR	40 - 54
7G18	ADJUSTING MECHANISM, ARMREST, R.H. (-640200)	90 - 64	2F22	ALTERNATOR ADJUSTING STRAP.....	30 - 91
3F9	ADJUSTING MOTOR, CONCAVE.....	40 - 78	1H4	ALTERNATOR ADJUSTING STRAP (6076) (EARLY DESIGN)	25 - 100
3E23	ADJUSTING MOTOR, SEPARATOR FAN DRIVE	40 - 68	3F7	ALTERNATOR MOUNTING.....	40 - 76
2G13	AIR CLEANER AND INTAKE TUBES - GRAIN SIDEHILL (-645200)	32 - 12	2F22	ALTERNATOR SUPPORT STRAP	30 - 91
2G13	AIR CLEANER AND INTAKE TUBES - GRAIN 9500 (-637128)	32 - 12	1H4	ALTERNATOR SUPPORT STRAP (6076) (EARLY DESIGN)	25 - 100
2G15	AIR CLEANER, ENGINE (6076, HH032) (645201-)	32 - 14	3F3	ALTERNATOR, SHEAVE AND BELT MOTOROLA-PRESTOLITE (-637627)	40 - 72
3D1	AIR CONDITIONER AND HEATER (-660200) (WIRING HARNESS).....	40 - 20	3F4	ALTERNATOR, SHEAVE AND BELT - BOSCH (637628-)	40 - 73
3D9	AIR CONDITIONER AND HEATER SWITCH.....	40 - 28	3F1	ALTERNATOR, VOLTAGE REGULATOR (90 AMP) MOTOROLA-PRESTOLITE (-646145)	40 - 70
3D7	AIR CONDITIONER PRESSURIZER FAN KIT (640201-650200)	40 - 26	3F5	ALTERNATOR, VOLTAGE REGULATOR (95 AMP) BOSCH (637628-)	40 - 74
3D1	AIR CONDITIONER WIRING HARNESS (-660200)	40 - 20	3D16	ANTENNA, SPEAKERS AND RADIO	40 - 36
3D3	AIR CONDITIONER WIRING HARNESS (660201-)	40 - 22	9D11	ARM, LOCKOUT, DUAL-RANGE	121 - 34
7F12	AIR CONDITIONING AND HEATER DUCTS	90 - 33	4F1	ARM, STEERING	50 - 72
7H17	AIR CONDITIONING COMPRESSOR (-650200) R-12	90 - 88			

ALPHABETICAL INDEX - CONTINUED

GRID		PAGE	GRID		PAGE
2F17	ARMATURE (DENSO) (12V F4)	30 - 86	10E7	AUGER, HORIZONTAL UNLOADING (17 FT. AND 20 FT.)	130 - 54
1G21	ARMATURE (DENSO) (12V F4) (ESN 136851-499999)	25 - 92	10E14	AUGER, HORIZONTAL UNLOADING, DRIVE GEARCASE	130 - 61
1H1	ARMATURE, STARTER (ND) (NO. 028000-3292) (6076)(EARLY DESIGN)	25 - 97	10C18	AUGER, LOADING, CLEAN GRAIN	130 - 16
7G22	ARMREST (L.H.)	90 - 68	10C17	AUGER, LOADING, CLEAN GRAIN FOLD (660201-)	130 - 15
7G20	ARMREST ADJUSTING MECHANISM (640201-)	90 - 66	10F6	AUGER, LOWER TAILINGS, BELTS	170 - 3
7G18	ARMREST ADJUSTING MECHANISM (R.H.) (-640200)	90 - 64	9I1	AUGER, SHAFT AND TIGHTENER, LOWER TAILINGS	125 - 64
3C19	ARMREST CONTROL PANEL	40 - 14	9I15	AUGER, UPPER TAILINGS	125 - 78
3C17	ARMREST WIRING HARNESS	40 - 12	10D13	AUGER, VERTICAL, LOWER GEAR CASE	130 - 36
7G16	ARMREST WITH GLOVEBOX, R.H.	90 - 62	10E11	AUGERS, GRAIN TANK CROSS	130 - 58
8I5	ARMS, FRAME, PRECLEANER CHAFFER	120 - 60	8H9	AUGERS, SHOE GRAIN SUPPLY AND HOUSING	120 - 40
2D6	ARMS, ROCKER	30 - 24	8H11	AUGERS, SHOE GRAIN SUPPLY AND HOUSING	120 - 42
1E9	ARMS, ROCKER (EARLY DESIGN)	25 - 27	3C9	AUX FIELD LIGHTS SWITCH, OPTIONAL	40 - 4
3C19	ASHTRAY	40 - 14	3C15	AUXILIARY FIELD LIGHTING	40 - 10
2C13	ASSEMBLY, COMPLETE BLOCK (ESN 500000-)	30 - 6	4C19	AXLE SPACERS (RING AND PINION FINAL DRIVE)	50 - 14
6F1	ASSEMBLY, SIX STACK SOLENOID CONTROL VALVE (660201-)	70 - 74	5E1	AXLE SPINDLES, REAR (FIXED AND ADJUSTABLE REAR AXLE)	60 - 48
5D1	ATTENUATOR, STEERING	60 - 22	4D19	AXLE, FINAL DRIVE (RING AND PINION)	50 - 40
10D15	AUGER AND CHARGE HOUSING, VERTICAL UNLOADING	130 - 38	5D23	AXLE, FIXED REAR	60 - 44
10F5	AUGER BELTS	170 - 2	4C17	AXLE, FRONT (RING AND PINION FINAL DRIVE)	50 - 12
9I9	AUGER CHAIN TIGHTENER, LOWER TAILINGS	125 - 72	4C18	AXLE, FRONT (SIDEHILL) (RING AND PINION FINAL DRIVE)	50 - 13
8H8	AUGER CLEANOUT DOOR, SHOE GRAIN SUPPLY, HANDLES AND LATCHES	120 - 39	4D20	AXLE, GEAR AND BEARINGS, FINAL DRIVE (RING AND PINION) (SIDEHILL)	50 - 41
10E15	AUGER COUNTERSHAFT DRIVE, UNLOADING	130 - 62	5D24	AXLE, REAR, ADJUSTABLE	60 - 45
10E13	AUGER COVERS AND CHANNEL, CROSS	130 - 60	5D25	AXLE, REAR, ADJUSTABLE	60 - 46
10E17	AUGER DRIVE BELT GUIDE, UNLOADING	130 - 64	5D21	AXLE, REAR, SUPPORT	60 - 42
9I15	AUGER DRIVE SHIELD, UPPER TAILINGS	125 - 78			
7D7	AUGER DRIVE SHIELDS (R.H.)	80 - 34		B	
9I11	AUGER DRIVE TIGHTENER, LOWER TAILINGS	125 - 74	10D7	BASE, GRAIN TANK	130 - 30
9I15	AUGER DRIVE, UPPER TAILINGS	125 - 78	3F13	BATTERIES, CABLE AND HOLDDOWN	40 - 82
9I13	AUGER HOUSING AND PADDLE ASSEMBLY, UPPER TAILINGS	125 - 76	4D16	BEARING CAP AND HOUSING, FINAL DRIVE (RING AND PINION)	50 - 37
10D23	AUGER HOUSING, HORIZONTAL UNLOADING (14- AND 17-FT.)	130 - 46	4D17	BEARING CAP AND HOUSING, FINAL DRIVE (RING AND PINION) (SIDEHILL)	50 - 38
10D24	AUGER HOUSING, HORIZONTAL UNLOADING (14- AND 17-FT.)	130 - 47	8J1	BEARING KIT, STRAW WALKERS (650201-665200)	120 - 80
10C14	AUGER HOUSING, LOADING, UPPER CLEAN GRAIN	130 - 12	8J3	BEARING KIT, STRAW WALKERS (665201-)	120 - 82
10C16	AUGER HOUSING, LOADING, UPPER CLEAN GRAIN (660201-)	130 - 14	10E9	BEARING PLATE, CROSS AUGER, L.H.	130 - 56
10D21	AUGER HUB SUPPORT AND SWITCH, HORIZONTAL UNLOADING	130 - 44	4E21	BEARING, COVER AND QUILL	50 - 67
3E21	AUGER LIGHT, UNLOADING AND GRAIN TANK DUAL LEVEL MONITOR HARNESS	40 - 66	1E1	BEARING, THRUST	25 - 19
10E18	AUGER LOWER LUBE BANK, UNLOADING	130 - 66	2C24	BEARING, THRUST (6076)	30 - 17
3E5	AUGER SENSOR AND WIRING HARNESS, UNLOADING (660201-)	40 - 50	1E24	BEARING, WATER PUMP (EARLY DESIGN) (ESN -499999)	25 - 42
6F11	AUGER SWING CYLINDER AND MOUNTING, UNLOADING (-650200)	70 - 84	2D14	BEARING, WATER PUMP (ESN 500000-)	30 - 32
6E15	AUGER SWING SOLENOID CONTROL VALVE (650201-)	70 - 62	4D23	BEARINGS AND PINION, FINAL DRIVE (RING AND PINION) (SIDEHILL)	50 - 44
6E13	AUGER SWING, SOLENOID CONTROL VALVE DOUBLE PILOTED (-650200)	70 - 60	4D20	BEARINGS, AXLE AND GEARS, FINAL DRIVE (RING AND PINION) (SIDEHILL)	50 - 41
10D19	AUGER SWIVEL SUPPORT AND BRACES	130 - 42	9I7	BEARINGS, ELEVATOR CONVEYOR CHAIN AND SPROCKETS, TAILINGS	125 - 70
10D17	AUGER SWIVEL, HORIZONTAL UNLOADING	130 - 40	4D19	BEARINGS, FINAL DRIVE (RING AND PINION)	50 - 40
10C14	AUGER TRANSITION HOUSING	130 - 12	4D5	BEARINGS, INPUT SHAFT, GEARS AND LUBE PUMP, TRANSMISSION	50 - 26
9I3	AUGER TROUGH, LOWER TAILINGS	125 - 66	1E1	BEARINGS, MAIN	25 - 19
10E20	AUGER UPPER LUBE BANK, UNLOADING	130 - 68	2C24	BEARINGS, MAIN (6076)	30 - 17
3E5	AUGER WIRING HARNESS, UNLOADING (660201-)	40 - 50			
10E5	AUGER, HORIZONTAL UNLOADING (14- AND 17-FT.)	130 - 52			

ALPHABETICAL INDEX - CONTINUED

GRID		PAGE	GRID		PAGE
4D21	BEARINGS, PINION AND SHAFTS, FINAL DRIVE (RING AND PINION)	50 - 42	2C15	BLOCK, SHORT (ESN 500000-) (WITHOUT HEAD BOLTS)	30 - 8
4D7	BEARINGS, PINION SHAFT AND GEARS TRANSMISSION	50 - 28	1D15	BLOCK, SHORT (HH004-OPT. HP) (-499999)(WITHOUT HEAD BOLTS)	25 - 8
4E16	BEARINGS, SEALS, SHAFT AND OUTER COVER CAM LOBE MOTOR	50 - 62	1D15	BLOCK, SHORT (TH001-STD. HP)(EARLY DESIGN -499999)(WITHOUT HEAD BOLTS)	25 - 8
8I23	BEARINGS, STRAW WALKER (-650200)	120 - 78	1D19	BLOCK, SHORT (WITH HEAD BOLTS) (TH001,HH001,HH003)(ESN -499999)	25 - 12
10F8	BEATER BELTS SHEAVES	170 - 5	1D17	BLOCK, SHORT (6076HH003)(STD. HP)(LATE DESIGN -499999)(WITHOUT HEAD BOLTS)	25 - 10
8H7	BEATER COVER	120 - 38	1E10	BOLTS, CYLINDER HEAD (ESN -499999)	25 - 28
9E5	BEATER DRIVE SHEAVES AND TIGHTENER	121 - 52	2D4	BOLTS, CYLINDER HEAD (ESN 500000-)	30 - 22
8G18	BEATER GRATE AND 13-BAR CONCAVE ASSEMBLY	120 - 24	3F5	BOSCH ALTERNATOR AND VOLTAGE REGULATOR (95 AMP) (637628-)	40 - 74
8G13	BEATER GRATE CURTAIN	120 - 18	3F4	BOSCH ALTERNATOR, SHEAVE AND BELT (637628-)	40 - 73
8H5	BEATER SHAFT AND DRIVE BELT.....	120 - 36	7F3	BOX, TOOL (660201-)	90 - 24
9E19	BELT PICKUP / REEL DRIVE, PUMP MOUNTING SHEAVE	121 - 66	10D19	BRACES AND AUGER SWIVEL SUPPORT	130 - 42
3F4	BELT, ALTERNATOR	40 - 73	5C22	BRACKET, BRAKE CABLE SUPPORT (645231-)	60 - 19
3F3	BELT, ALTERNATOR AND SHEAVE MOTOROLA-PRESTOLITE (-637627)	40 - 72	8E18	BRACKET, FEEDER CONVEYOR	110 - 66
8H5	BELT, DRIVE, SHAFT AND BEATER.....	120 - 36	3G11	BRACKET, REEL SPEED MOTOR.....	40 - 104
1C6	BELT, ENGINE FAN DRIVE	20 - 10	9I8	BRACKET, TAILINGS DRIVE AND LOWER TROUGH SUPPORT	125 - 71
8D15	BELT, FAN, DUST, LH SIDE FEEDER HOUSE-RETROFIT INSTALLATION.....	110 - 38	8H3	BRACKETS, INDICATOR AND CABLES, CONCAVE	120 - 34
7F23	BELT, OPERATOR'S SEAT (665201-)	90 - 44	8D7	BRACKETS, LEVELING CABLES AND SHEAVES SIDEHILL	110 - 30
1B23	BELT, ROTARY SCREEN (-645200)	20 - 1	3E16	BRACKETS, LOW SHAFT SPEED SENSORS	40 - 61
1B24	BELT, ROTARY SCREEN (645201-)	20 - 2	6E24	BRACKETS, SOLENOID CONTROL VALVE	70 - 72
7F24	BELT, SEAT - PASSENGER SEAT (665201-)	90 - 45	5C5	BRAKE ACTUATOR, PARK (-640200)	60 - 2
7G1	BELT, SEAT - RETROFIT KIT (MACHINES PRIOR TO 1996 MODEL YEAR)	90 - 46	5C22	BRAKE CABLE SUPPORT BRACKET (645231-)	60 - 19
10F6	BELTS, AIR CONDITIONER COMPRESSOR	170 - 3	5C9	BRAKE LINES AND HOSES, PARKING, UPPER (-640200)	60 - 6
10F5	BELTS, AUGER	170 - 2	5C7	BRAKE LINES, LOWER, PARKING (-640200)	60 - 4
10F8	BELTS, BEATER	170 - 5	5C15	BRAKE LINES, MASTER CYLINDER AND RESERVOIR	60 - 12
10F6	BELTS, CLEAN GRAIN ELEVATOR.....	170 - 3	5C17	BRAKE MASTER CYLINDER	60 - 14
10F5	BELTS, CONVEYOR FEEDER	170 - 2	5C11	BRAKE PEDAL AND FRAME, PARKING	60 - 8
10F6	BELTS, COOLING FAN.....	170 - 3	5C13	BRAKE PEDALS AND MASTER CYLINDERS.....	60 - 10
10F6	BELTS, CYLINDER DRIVE	170 - 3	5C19	BRAKE SHOES AND DRUM.....	60 - 16
10F6	BELTS, DRIVE, CYLINDER INTERMEDIATE	170 - 3	5C21	BRAKE SLAVE CYLINDER	60 - 18
10F5	BELTS, ENGINE DRIVE	170 - 2	5C4	BRAKE, PARKING, VALVE (-640200)	60 - 1
10F7	BELTS, FAN, CLEANING	170 - 4	3F17	BREAKERS, CIRCUIT, ENGINE COMPARTMENT	40 - 86
10F5	BELTS, FEEDER CONVEYOR	170 - 2	3F14	BREAKERS, CIRCUIT, ENGINE COMPARTMENT (-660200)	40 - 83
10F7	BELTS, FEEDER HOUSE	170 - 4	3F15	BREAKERS, CIRCUIT, ENGINE COMPARTMENT (660201-)	40 - 84
10F7	BELTS, HEADER AND REEL	170 - 4	1E6	BUSHING, CAMSHAFT (ESN -499999) (TH001, HH001, HH004)	25 - 24
10F8	BELTS, LOWER TAILINGS AUGER.....	170 - 5	2C11	BUSHING, CAMSHAFT (ESN 500000-)	30 - 4
10F6	BELTS, LOWER TAINLINGS AUGER	170 - 3	2D3	BUSHING, CAMSHAFT (ESN 500000-)	30 - 21
10F6	BELTS, ROTARY SCREEN.....	170 - 3	1E7	BUSHING, CAMSHAFT (6076HH003)	25 - 25
10F7	BELTS, STRAW CHOPPER	170 - 4	5D3	BUTTON, EITHER AID START.....	60 - 24
10F7	BELTS, STRAW SPREADER	170 - 4	7H1	BUTTON, EITHER AID START.....	90 - 72
10F7	BELTS, UNLOADING AUGERS	170 - 4	5D3	BUTTON, HORN	60 - 24
10F8	BELTS, UNLOADING SYSTEM.....	170 - 5	7H1	BUTTON, HORN	90 - 72
10F8	BELTS, UPPER TAILINGS AUGER	170 - 5	1E20	BYPASS VALVE, OIL COOLER (ESN -156313).....	25 - 38
10F5	BELTS, WALKER.....	170 - 2	1E21	BYPASS VALVE, OIL COOLER (ESN 156314-499999)	25 - 39
2F17	BENDIX DRIVE (12V F4)	30 - 86	2D12	BYPASS VALVE, OIL FILTER (ESN 500000-)	30 - 30
6E11	BI-DIRECTIONAL MODULE, SOLENOID CONTROL VALVE, REEL LIFT AND CYLINDER SPEED	70 - 58			
3D10	BLADE, WIPER (LONG)	40 - 30			
2C13	BLOCK ASSEMBLY, COMPLETE (ESN 500000-).....	30 - 6			
6G19	BLOCK SOLENOID, MAIN VALVE	70 - 117			
1D11	BLOCK, CYLINDER (EARLY DESIGN) (WITHOUT HEAD BOLTS)	25 - 4			
1C13	BLOCK, ENGINE COOLANT HEATER.....	20 - 18			
2C17	BLOCK, SHORT (WITH HEAD BOLTS)	30 - 10			

ALPHABETICAL INDEX - CONTINUED

GRID		PAGE	GRID		PAGE
1E22	BYPASS VALVE, OIL FILTER (EARLY DESIGN) (ESN -499999).....	25 - 40	2D25	CENTER HOUSING, TURBOCHARGER (AIRESEARCH)	30 - 43
C					
7F11	CAB AIR FILTER AND HOUSING	90 - 32	1F13	CENTER HOUSING, TURBOCHARGER (AIRESEARCH) (ESN -499999)	25 - 57
3C6	CAB DOME LIGHT	40 - 1	2E1	CENTER HOUSING, TURBOCHARGER (SCHWITZER)	30 - 44
7E13	CAB DOOR LATCH	90 - 10	1F12	CENTER HOUSING, TURBOCHARGER (SCHWITZER) (ESN -499999).....	25 - 56
7E17	CAB FRAME AND SUPPORT.....	90 - 14	3F21	CENTRAL ELECTRONICS MODULE AND CIRCUIT BOARDS	40 - 90
7E15	CAB GLASS AND DOOR	90 - 12	9G21	CHAFF SPREADER (BELT TYPE) FRAME, SHIELDS AND HANDLES (-650200)	125 - 36
7I3	CAB HARDWARE KIT	90 - 100	9H15	CHAFF SPREADER (BELT TYPE) HOSES, LINES AND MOTOR (-650200)	125 - 54
7E11	CAB INTERIOR TRIM PANELS	90 - 8	9H3	CHAFF SPREADER (BELT TYPE) PAN AND SEALS (-650200)	125 - 42
7F7	CAB L.H. LANDING AND MIRROR (650201-)	90 - 28	9H17	CHAFF SPREADER (DUAL MOTOR) HOSES AND LINES (650201-)	125 - 56
7F9	CAB LANDING AND MIRROR, R.H.....	90 - 30	9H5	CHAFF SPREADER (DUAL MOTOR) PAN, WINGS AND SEALS (650201-)	125 - 44
3C6	CAB LIGHT, DOME	40 - 1	9G23	CHAFF SPREADER (DUAL MOTOR) SHIELDS AND HANDLES (650201-655714).....	125 - 38
7F21	CAB OPERATOR'S SEAT AND BACKREST	90 - 42	9H1	CHAFF SPREADER (DUAL MOTOR) SHIELDS AND HANDLES (655715-)	125 - 40
7E5	CAB PANELS AND FLOOR MAT	90 - 2	9H9	CHAFF SPREADER CONTROL, CHECK VALVE, ROD AND KNOB.....	125 - 48
3C11	CAB POST INSTRUMENT PANEL	40 - 6	9G17	CHAFF SPREADER DISC (BELT TYPE) (-650200)	125 - 32
7F13	CAB POST INSTRUMENT PANEL	90 - 34	9G19	CHAFF SPREADER DISC (DUAL MOTOR) (650201-)	125 - 34
7E9	CAB REAR AND SIDE SEALS	90 - 6	9H11	CHAFF SPREADER LINES AND FITTINGS	125 - 50
7E19	CAB ROOF AND SUPPORTS.....	90 - 16	9H13	CHAFF SPREADER LINES, HOSES, VALVE AND PUMP	125 - 52
3C13	CAB ROOF LIGHTS	40 - 8	6C12	CHAFF SPREADER MOTOR (EATON) (655929-)	70 - 8
7G4	CAB SEAT HEIGHT ADJUSTER (VERTICAL CONTROL).....	90 - 50	9H7	CHAFF SPREADER MOUNTING SUPPORT	125 - 46
7E7	CAB SOUND DEADENING, FOAM AND SEALS.....	90 - 4	9H8	CHAFF SPREADER MOUNTING SUPPORT (SIDEHILL).....	125 - 47
3C7	CAB WIRING HARNESS.....	40 - 2	9H19	CHAFF SPREADER PUMP	125 - 58
4C7	CABLE, SWITCH AND DRIVE LEVER, HYDROSTATIC	50 - 2	8I7	CHAFFER ELEMENT.....	120 - 62
8H3	CABLES, BRACKETS AND INDICATOR, CONCAVE	120 - 34	8I9	CHAFFER ELEMENT.....	120 - 64
4C9	CABLES, CONTROL, HYDROSTATIC DRIVE (-645200)	50 - 4	8I11	CHAFFER EXTENSION ELEMENT	120 - 66
3F13	CABLES, HOLDDOWN AND BATTERIES	40 - 82	8I13	CHAFFER FRAME	120 - 68
4C11	CABLES, HYDROSTATIC DRIVE CONTROL (645201-)	50 - 6	8I5	CHAFFER FRAME ARMS, PRECLEANER	120 - 60
4E15	CAM LOBE MOTOR	50 - 61	8I1	CHAFFER FRAME, PRE-CLEANER.....	120 - 56
4E22	CAM, CARRIER AND PISTONS	50 - 68	8H23	CHAFFER, PRECLEANING.....	120 - 54
1E6	CAMSHAFT (ESN -499999)(W/R86565 GEAR) (TH001, HH001, HH004)	25 - 24	8F9	CHAIN IDLERS AND SHIELD BRACKETS, DRIVE (SIDEHILL).....	110 - 82
2D3	CAMSHAFT (ESN 500000-)	30 - 21	9I9	CHAIN TIGHTENER, LOWER TAILINGS AUGER	125 - 72
1E7	CAMSHAFT (W/R105488 GEAR)(6076HH003)	25 - 25	9I10	CHAIN TIGHTENER, UPPER TAILINGS DRIVE	125 - 73
1E6	CAMSHAFT BUSHING (ESN -499999) (TH001, HH001, HH004)	25 - 24	10C6	CHAIN, CONVEYOR AND LOWER ELEVATOR, CLEAN GRAIN.....	130 - 4
2C11	CAMSHAFT BUSHING (ESN 500000-)	30 - 4	10C8	CHAIN, CONVEYOR AND LOWER ELEVATOR, CLEAN GRAIN.....	130 - 6
2D3	CAMSHAFT BUSHING (ESN 500000-)	30 - 21	8E18	CHAIN, FEEDER CONVEYOR DRIVE	110 - 66
1E7	CAMSHAFT BUSHING (6076HH003)	25 - 25	8E20	CHAIN, IDLER SHAFT AND DRUM, FEEDER CONVEYOR, SIDEHILL	110 - 68
2D6	CAMSHAFT FOLLOWER.....	30 - 24	9I7	CHAIN, TAILINGS ELEVATOR CONVEYOR, SPROCKETS, BEARINGS	125 - 70
1E9	CAMSHAFT FOLLOWER (EARLY DESIGN)	25 - 27	10E13	CHANNEL AND COVERS, CROSS AUGER	130 - 60
1E6	CAMSHAFT FOLLOWER (ESN -499999) (TH001, HH001, HH004)	25 - 24	10D15	CHARGE HOUSING AND VERTICAL UNLOADING AUGER.....	130 - 38
2D3	CAMSHAFT FOLLOWER (ESN 500000-)	30 - 21	6G12	CHARGE PRESSURE HOSE (SIDEHILL)	70 - 110
1E7	CAMSHAFT FOLLOWER (6076HH003)	25 - 25	6G10	CHARGE PRESSURE HOSE (640201-)	70 - 108
1E6	CAMSHAFT GEAR (ESN -499999)(W/R86565 GEAR)(TH001, HH001, HH004)	25 - 24	4E7	CHARGE PUMP, HYDROSTATIC DRIVE (RING AND PINION)	50 - 52
2D3	CAMSHAFT GEAR (ESN 500000-)	30 - 21	9H9	CHECK VALVE, ROD, KNOB AND CONTROL CHAFF SPREADER	125 - 48
10D13	CAP, GRAIN TANK CLEAN OUT CHUTE	130 - 36			
1E4	CAP, OIL FILLER (HH003) (EARLY DESIGN).....	25 - 22			
1E5	CAP, OIL FILLER (TH001, HH001, HH004) (ESN -499999)	25 - 23			
1D13	CAPS, MAIN BEARING	25 - 6			
2C11	CAPS, MAIN BEARING (ESN 500000-).....	30 - 4			
4E24	CAPS, YOKE AND PIVOTS	50 - 70			
4E22	CARRIER, PISTONS AND CAM	50 - 68			
4H7	CASE DRAIN HYDRAULIC LINES, 4-WHEEL DRIVE	50 - 128			

ALPHABETICAL INDEX - CONTINUED

GRID		PAGE	GRID		PAGE
9G11	CHOPPER DOOR, STRAW.....	125 - 26	1G21	COIL, FIELD WINDING (12V F4) (ESN 136851-499999).....	25 - 92
9G3	CHOPPER, STRAW, HOUSING (-655100).....	125 - 18	1G25	COIL, STARTER (ND) (NO. 028000-3292) (6076) (EARLY DESIGN).....	25 - 96
9G3	CHOPPER, STRAW, KNIFEBACK (-655100).....	125 - 18	2G9	COLD WEATHER STARTING AID (-656805).....	32 - 8
10D13	CHUTE, GRAIN TANK CLEAN OUT CHUTE.....	130 - 36	2G11	COLD WEATHER STARTING AID (656806-).....	32 - 10
3C11	CIRCUIT BOARD, CAB POST INSTRUMENT PANEL.....	40 - 6	5D5	COLUMN, STEERING, LOWER.....	60 - 26
7F13	CIRCUIT BOARD, CAB POST INSTRUMENT PANEL.....	90 - 34	7H3	COLUMN, STEERING, LOWER.....	90 - 74
3C9	CIRCUIT BOARD, OVERHEAD CONSOLE PANEL.....	40 - 4	7H5	COLUMN, STEERING, LOWER.....	90 - 76
3F21	CIRCUIT BOARDS AND CENTRAL ELECTRONICS MODULE.....	40 - 90	5D3	COLUMN, STEERING, UPPER.....	60 - 24
3F17	CIRCUIT BREAKER RELAYS.....	40 - 86	7H1	COLUMN, STEERING, UPPER.....	90 - 72
3F14	CIRCUIT BREAKER RELAYS (-660200).....	40 - 83	1G23	COMMUTATOR END FRAME, STARTER (ND) (NO. 028000-3292) (6076)(EARLY DESIGN).....	25 - 94
3F15	CIRCUIT BREAKER RELAYS (660201-).....	40 - 84	7C11	COMPARTMENT, ENGINE (-640200).....	80 - 14
3F17	CIRCUIT BREAKERS, ENGINE COMPARTMENT.....	40 - 86	7C13	COMPARTMENT, ENGINE (-640200).....	80 - 16
3F14	CIRCUIT BREAKERS, ENGINE COMPARTMENT (-660200).....	40 - 83	7C15	COMPARTMENT, ENGINE (640201-).....	80 - 18
3F15	CIRCUIT BREAKERS, ENGINE COMPARTMENT (660201-).....	40 - 84	7C17	COMPARTMENT, ENGINE (640201-).....	80 - 20
10C24	CLEAN GRAIN ELEVATOR DRIVE TIGHTENER AND IDLER.....	130 - 22	2C13	COMPLETE BLOCK ASSEMBLY (ESN 500000-).....	30 - 6
10C22	CLEAN GRAIN ELEVATOR GEARCASE AND SHEAVE.....	130 - 20	7H17	COMPRESSOR COIL (-650200) R-12.....	90 - 88
10C12	CLEAN GRAIN ELEVATOR SHAFT, UPPER, SPROCKET AND SHEAVE.....	130 - 10	7H19	COMPRESSOR HARDWARE KIT (-650200) R-12.....	90 - 90
10D1	CLEAN GRAIN ELEVATOR SHIELDS, UPPER (-640528).....	130 - 24	7H24	COMPRESSOR HARDWARE KIT (650201-) R134A.....	90 - 96
10D3	CLEAN GRAIN ELEVATOR SHIELDS, UPPER (640529-).....	130 - 26	7H20	COMPRESSOR PARTS (-650200) R-12.....	90 - 92
10C10	CLEAN GRAIN ELEVATOR, UPPER.....	130 - 8	7H17	COMPRESSOR, AIR CONDITIONING (-650200) R-12.....	90 - 88
10C18	CLEAN GRAIN LOADING AUGER.....	130 - 16	10F6	COMPRESSOR, AIR CONDITIONING BELTS.....	170 - 3
10C17	CLEAN GRAIN LOADING AUGER, FOLD (660201-).....	130 - 15	7H13	COMPRESSOR, AIR CONDITIONING SYSTEM (-650200) R-12 REFRIGERANT.....	90 - 84
10C4	CLEAN GRAIN LOWER AUGER AND HINGED DOOR.....	130 - 2	7H15	COMPRESSOR, AIR CONDITIONING SYSTEM (650201-) R134A.....	90 - 86
10C6	CLEAN GRAIN LOWER ELEVATOR AND CONVEYOR CHAIN.....	130 - 4	7H17	COMPRESSOR, CLUTCH PULLEY (-650200) R-12.....	90 - 88
10C8	CLEAN GRAIN LOWER ELEVATOR AND CONVEYOR CHAIN.....	130 - 6	3F9	CONCAVE ADJUSTING MOTOR.....	40 - 78
10D13	CLEAN OUT CHUTE, GRAIN TANK.....	130 - 36	8G18	CONCAVE ASSEMBLY AND BEATER GRATE,13-BAR NARROW.....	120 - 24
2G13	CLEANER, AIR AND INTAKE TUBES - GRAIN SIDEHILL (-645200).....	32 - 12	8H3	CONCAVE INDICATOR, CABLE AND BRACKETS.....	120 - 34
2G13	CLEANER, AIR AND INTAKE TUBES - GRAIN 9500 (-637128).....	32 - 12	8G14	CONCAVE, RASP BAR AND GRATE.....	120 - 20
9E7	CLEANING FAN DRIVE, SEPARATOR.....	121 - 54	8G16	CONCAVE, RASP BAR AND GRATE.....	120 - 22
8H19	CLEANING FAN INTAKE SHIELDS (-643087).....	120 - 50	8G24	CONCAVE, SPIKE TOOTH.....	120 - 30
8H21	CLEANING FAN INTAKE SHIELDS (643088-).....	120 - 52	8G22	CONCAVE, SPIKE-TOOTH.....	120 - 28
8H13	CLEANING FAN LEAF SCREENS (CORN) (660999-).....	120 - 44	6G3	CONDENSER, AIR CONDITIONING AND OIL COOLER.....	70 - 100
8H15	CLEANING FANS AND SHROUDS.....	120 - 46	1D23	CONNECTING RODS.....	25 - 16
8H17	CLEANING FANS AND SHROUDS.....	120 - 48	2C22	CONNECTING RODS (6076).....	30 - 15
8C16	CLOSURE PLATES, FEEDER HOUSE - CONTOUR MASTER (660201-).....	110 - 14	3C17	CONNECTOR, HYDRO HANDLE.....	40 - 12
7H17	CLUTCH, COMPRESSOR (-650200) R-12.....	90 - 88	3F23	CONNECTORS AND TERMINALS, WEATHERPACK....	40 - 92
9D1	CLUTCH, HEADER ELECTROMAGNETIC.....	121 - 24	3C7	CONNECTORS, CAB.....	40 - 2
8E12	CLUTCH, SLIP, FEEDER HOUSE.....	110 - 60	3G7	CONNECTORS, ETHER START.....	40 - 100
7H17	COIL, COMPRESSOR (-650200) R-12.....	90 - 88	1G7	CONNECTORS, FUEL INJECTION PUMP HOUSING (ND) (TH001/HH003)(ESN -499999).....	25 - 76
5C4	COIL, ELECTRICAL - PARKING BRAKE VALVE (-640200).....	60 - 1	2E23	CONNECTORS, FUEL INJECTION PUMP HOUSING (ND) (6076HH031) (EARLY DESIGN F.I.P.).....	30 - 67
2F17	COIL, FIELD WINDING (12V F4).....	30 - 86	2E24	CONNECTORS, FUEL INJECTION PUMP HOUSING (RB)(HH031ORHH035)(LATE DESIGN F.I.P.).....	30 - 68
			1G15	CONNECTORS, FUEL INJECTION PUMP HOUSING (ROBERT BOSCH) (6076HH001/HH004).....	25 - 85

ALPHABETICAL INDEX - CONTINUED

GRID		PAGE	GRID		PAGE
1G8	CONNECTORS, FUEL INJECTION PUMP HOUSING (ROBERT BOSCH) (6076HH004).....	25 - 77	6C20	CONVERSION PARTS, HYDRAULIC, 200 SERIES CUTTING PLATFORM.....	70 - 16
2E22	CONNECTORS, FUEL INJECTION PUMP HOUSING (6076HH030, HH032, HH034, HH036).....	30 - 66	10F5	CONVEYOR AUGER BELTS,	170 - 2
3G9	CONNECTORS, HARNESS, UPPER, FOR 6076 ENGINE	40 - 102	9E3	CONVEYOR AUGERS, STRAW WALKER, SIEVE AND CHAFFER DRIVE	121 - 50
3G7	CONNECTORS, LOWER HARNESS FOR 6076 ENGINE	40 - 100	10C6	CONVEYOR CHAIN AND LOWER ELEVATOR, CLEAN GRAIN.....	130 - 4
3G16	CONNECTORS, SUPPLEMENTARY TERMINALS	40 - 109	10C8	CONVEYOR CHAIN AND LOWER ELEVATOR, CLEAN GRAIN.....	130 - 6
3C9	CONSOLE PANEL, OVERHEAD.....	40 - 4	8C20	CONVEYOR CHAIN RETURN FLOOR- SIDEHILL FEEDER HOUSE	110 - 18
8C16	CONTOUR MASTER - FEEDER HOUSE FRAME, TILT BEAM & CLOSURE PLATES (660201-).....	110 - 14	9I7	CONVEYOR CHAIN, SPROCKETS AND BEARINGS, TAILINGS ELEVATOR.....	125 - 70
8F15	CONTOUR MASTER DRIVESHAFT (660201-).....	110 - 88	2D24	COOLANT HEATER, ENGINE	30 - 42
6D11	CONTOUR MASTER HYDRAULIC HOSES, L.H SIDE (OPTIONAL) (660201-)	70 - 32	1C13	COOLANT HEATER, ENGINE BLOCK.....	20 - 18
8E7	CONTOUR MASTER LOCKOUT ADAPTER KIT (BELT PU & 4R CORN HEADS) (660201-)	110 - 54	2G21	COOLANT RECOVERY TANK	32 - 20
6E8	CONTOUR MASTER SOLENOID CONTROL RELIF VALVE	70 - 54	2D12	COOLER AND OIL FILTER HOUSING (ESN 500000-).....	30 - 30
6E20	CONTOUR MASTER SOLENOID CONTROL VALVE (660201-).....	70 - 68	1F3	COOLER, ENGINE OIL (EARLY DESIGN) (ESN -499999).....	25 - 46
6F19	CONTOUR MASTER TILT CYLINDER.....	70 - 92	2D12	COOLER, ENGINE OIL (ESN 500000-).....	30 - 30
6F20	CONTOUR MASTER TILT CYLINDER HOSES AND FITTINGS.....	70 - 93	6C16	COOLER, OIL, FEEDER HOUSE	70 - 12
3D22	CONTOUR MASTER WIRING HARNESS ADAPTER	40 - 42	10F6	COOLING FAN BELTS	170 - 3
8C14	CONTOUR MASTER, FEEDER HOUSE SHELL, WEAR PLATES AND SEALS (660201-)	110 - 12	9G9	CORN CURTAIN AND DEFLECTORS	125 - 24
8C18	CONTOUR MASTER, LOCKOUT ASSEMBLY (OPTIONAL) (660201-).....	110 - 16	8G7	CORN CYLINDER DOOR (ARGENTINA ONLY).....	120 - 12
3H3	CONTROL BOX, LEVEL SENSING	40 - 120	7D21	CORNER SHEET, DOOR, FRONT, (L.H.)	80 - 48
4C9	CONTROL CABLES, HYDROSTATIC DRIVE (-645200)	50 - 4	7D17	CORNER SHEET, R H FRONT	80 - 44
4C11	CONTROL CABLES, HYDROSTATIC DRIVE (645201-).....	50 - 6	7D19	CORNER SHEET, REAR, L H	80 - 46
3C19	CONTROL PANEL, ARMREST.....	40 - 14	9D21	COUNTERSHAFT DRIVE, SECONDARY.....	121 - 44
2E12	CONTROL UNIT, ELECTRONIC (6076HH032) (ROBERT BOSCH).....	30 - 56	10E15	COUNTERSHAFT DRIVE, UNLOADING AUGER	130 - 62
2E14	CONTROL UNIT, ELECTRONIC (6076HH036)	30 - 58	9C24	COUNTERSHAFT GEARCASE, PRIMARY (640101-).....	121 - 22
3F19	CONTROL UNIT, ELECTRONIC (ECU)	40 - 88	9C20	COUNTERSHAFT GEARCASE, PRIMARY (640101-).....	121 - 18
2E18	CONTROL UNIT, ELECTRONIC (6076HH031) (RB) (LATE DESIGN F.I.P.)	30 - 62	9C22	COUNTERSHAFT, PRIMARY, GEARCASE (-640100).....	121 - 20
2E20	CONTROL UNIT, ELECTRONIC (6076HH035) (RB) (LATE DESIGN F.I.P.)	30 - 64	9C18	COUNTERSHAFT, PRIMARY, GEARCASE (-640100).....	121 - 16
4F3	CONTROL VALVE (4WD)	50 - 74	1C10	COUPLING WITH HUB, ENGINE-TRANSMISSION.....	20 - 14
4F4	CONTROL VALVE (4WD) (655201-).....	50 - 75	1F7	COUPLING, INTAKE MANIFOLD (ESN -499999).....	25 - 50
6F1	CONTROL VALVE MODULE, SIX STACK SOLENOID ASSEMBLY & MOUNTINGS (660201-)	70 - 74	2F16	COVER STARTER SOLENOID (DENSO)	30 - 85
4F5	CONTROL VALVE SOLENOID	50 - 76	8H7	COVER, BEATER	120 - 38
6E15	CONTROL VALVE, AUGER SWING SOLENOID (650201-)	70 - 62	7H23	COVER, COMPRESSOR A/C (650201-) R134A	90 - 95
4E9	CONTROL VALVE, HYDROSTATIC DRIVE DISPLACEMENT (RING AND PINION)	50 - 54	7C13	COVER, ENGINE (-640200)	80 - 16
6E20	CONTROL VALVE, SOLENOID - CONTOUR MASTER (660201-).....	70 - 68	7C15	COVER, ENGINE (640201-).....	80 - 18
6G9	CONTROL VALVE, SOLENOID, ENGINE GEARCASE PRESSURE REGULATOR	70 - 106	7C17	COVER, ENGINE (640201-).....	80 - 20
6E16	CONTROL VALVE, SOLENOID, REEL FORE/AFT (-650200)	70 - 64	4E5	COVER, HYDROSTATIC DRIVE PUMP (RING AND PINION)	50 - 50
6E18	CONTROL VALVE, SOLENOID, REEL FORE/AFT (650201-).....	70 - 66	2D2	COVER, INJECTION PUMP ACCESS (ESN 500000-).....	30 - 20
9H9	CONTROL, CHECK VALVE, ROD AND KNOB, CHAFF SPREADER	125 - 48	1E5	COVER, INJECTION PUMP ACCESS (TH001,HH001,HH004)(ESN -499999)	25 - 23
3G17	CONVENIENCE OUTLET (660201-).....	40 - 110	1E4	COVER, INJECTION PUMP ACCESS (HH003) (EARLY DESIGN)	25 - 22
			4E18	COVER, INNER	50 - 64
			1E12	COVER, ROCKER ARM	25 - 30
			2D7	COVER, ROCKER ARM	30 - 25
			4E1	COVER, SHAFT, DRIVE PUMP, HYDROSTATIC (RING AND PINION)	50 - 46
			1G24	COVER, STARTER SOLENOID (EARLY DESIGN)	25 - 95

ALPHABETICAL INDEX - CONTINUED

GRID		PAGE	GRID		PAGE
8F20	COVER, THRESHING CYLINDER	120 - 1	9D13	CYLINDER DRIVE TIGHTENER, DUAL-RANGE	121 - 36
2D2	COVER, TIMING GEAR (ESN 500000-)	30 - 20	9D5	CYLINDER DRIVE, SINGLE RANGE	121 - 28
1E4	COVER, TIMING GEAR (HH003)(EARLY DESIGN)	25 - 22	9D7	CYLINDER DRIVE, SLOW SPEED.....	121 - 30
1E5	COVER, TIMING GEAR (TH001, HH001, HH004) (ESN -499999)	25 - 23	1E10	CYLINDER HEAD (ESN -499999)	25 - 28
10E13	COVERS AND CHANNEL, CROSS AUGER	130 - 60	2D4	CYLINDER HEAD (ESN 500000-)	30 - 22
1C17	CRANKCASE, ENGINE, OIL DRAIN.....	20 - 22	1E10	CYLINDER HEAD BOLTS (ESN -499999).....	25 - 28
8J5	CRANKS, STRAW WALKER, STRAW SPREADER DRIVE AND SHIELD	120 - 84	2D4	CYLINDER HEAD BOLTS (ESN 500000-).....	30 - 22
2C23	CRANKSHAFT (ESN 500000-).....	30 - 16	1E10	CYLINDER HEAD GASKET (ESN -499999)	25 - 28
1D24	CRANKSHAFT (HH001 OR HH004) (ESN -499999)(MKD RE53201)	25 - 17	2D4	CYLINDER HEAD GASKET (ESN 500000-)	30 - 22
1D25	CRANKSHAFT (HH003) (LATE DESIGN-STD HP) (ESN -499999)(MKD RE53203 OR RE42675).....	25 - 18	1G16	CYLINDER HEAD GASKET KIT (ESN -499999).....	25 - 86
1D24	CRANKSHAFT (TH001 - EARLY DESIGN) (STD HP)(MKD RE53201).....	25 - 17	2F13	CYLINDER HEAD GASKET KIT (ESN 500000-).....	30 - 82
2F15	CRANKSHAFT DAMPER, NO PULLEY GROOVES	30 - 84	6D15	CYLINDER KIT, HEADER LIFT HYDRAULIC	70 - 36
1G18	CRANKSHAFT DAMPER, NO PULLEY GROOVES (EARLY DESIGN)	25 - 88	5D18	CYLINDER KIT, STEERING	60 - 39
2D2	CRANKSHAFT FRONT OIL SEAL (ESN 500000-).....	30 - 20	1D23	CYLINDER LINERS (ESN -499999)	25 - 16
1E5	CRANKSHAFT FRONT OIL SEAL (TH001, HH001, HH004)(ESN -499999)	25 - 23	2C22	CYLINDER LINERS (6076)	30 - 15
1E4	CRANKSHAFT FRONT OIL SEAL (HH003) (EARLY DESIGN)	25 - 22	6G16	CYLINDER PINS, LEVELING	70 - 114
10E9	CROSS AUGER BEARING PLATE, L.H.	130 - 56	8G9	CYLINDER SHEAR BAR	120 - 14
10E13	CROSS AUGER COVERS AND CHANNEL.....	130 - 60	6E11	CYLINDER SPEED AND REEL LIFT, SOLENOID CONTROL VALVE.....	70 - 58
10E11	CROSS AUGERS, GRAIN TANK	130 - 58	6E6	CYLINDER SPEED HYDRAULIC LINES AND HOSES ..	70 - 52
7G24	CUP HOLDER	90 - 70	5C21	CYLINDER, BRAKE SLAVE	60 - 18
8G13	CURTAIN, BEATER GRATE	120 - 18	6F9	CYLINDER, DRIVE, GRAIN TANK UNLOADING.....	70 - 82
8J7	CURTAIN, SEPARATOR (RASP BAR CYLINDER).....	120 - 86	6D14	CYLINDER, HEADER LIFT HYDRAULIC	70 - 35
8J9	CURTAIN, SEPARATOR (SPIKE-TOOTH CYLINDER).....	120 - 88	6D13	CYLINDER, HYDRAULIC, HEADER LIFT	70 - 34
9H21	CURTAIN, SPREADER	125 - 60	6F7	CYLINDER, HYDRAULIC, UNLOADING AUGER SWING, LINES AND HOSES	70 - 80
9H23	CURTAIN, SPREADER (641681-)	125 - 62	6G14	CYLINDER, LEVELING	70 - 112
9G9	CURTAINS AND DEFLECTORS, CORN	125 - 24	6G15	CYLINDER, LEVELING	70 - 113
10D9	CURTAINS, GRAIN TANK.....	130 - 32	5C17	CYLINDER, MASTER, BRAKE	60 - 14
6C20	CUTTING PLATFORM, 200 SERIES CONVERSION PARTS	70 - 16	5D17	CYLINDER, STEERING	60 - 38
6F11	CYLINDER AND MOUNTING, UNLOADING AUGER SWING (-650200)	70 - 84	8G11	CYLINDER, THRESHING, RASP BAR.....	120 - 16
4E1	CYLINDER BLOCK	50 - 46	8G20	CYLINDER, THRESHING, SPIKE TOOTH.....	120 - 26
1D11	CYLINDER BLOCK (EARLY DESIGN (WITHOUT HEAD BOLTS)	25 - 4	6F19	CYLINDER, TILT - CONTOUR MASTER	70 - 92
2C11	CYLINDER BLOCK FITTINGS (ESN 500000-).....	30 - 4	6F20	CYLINDER, TILT, HOSES AND FITTINGS - CONTOUR MASTER.....	70 - 93
1D13	CYLINDER BLOCK FITTINGS (WITH HEAD BOLTS)	25 - 6	6F13	CYLINDER, UNLOADING AUGER SWING HYDRAULIC (650201-656568)	70 - 86
4E11	CYLINDER BLOCK, HYDROSTATIC DRIVE	50 - 56	6F15	CYLINDER, UNLOADING AUGER SWING HYDRAULIC (656569-)	70 - 88
4E13	CYLINDER BLOCK, HYDROSTATIC DRIVE	50 - 58	5C13	CYLINDERS, MASTER, AND BRAKE PEDALS.....	60 - 10
8F20	CYLINDER COVER, THRESHING	120 - 1	D		
8G3	CYLINDER DOOR (CORN & GRAIN) (650201-655864).....	120 - 8	2C23	DAMPER KEY	30 - 16
8G1	CYLINDER DOOR (FOR CORN) (-650200)	120 - 6	2F15	DAMPER, CRANKSHAFT, NO PULLEY GROOVES.....	30 - 84
8G5	CYLINDER DOOR (655865-)	120 - 10	1G18	DAMPER, CRANKSHAFT, NO PULLEY GROOVES (EARLY DESIGN)	25 - 88
8G7	CYLINDER DOOR, CORN (ARGENTINA ONLY).....	120 - 12	10G12	DECALS, FRONT.....	170 - 34
9D19	CYLINDER DRIVE ADJUSTING BRACKET, DUAL-RANGE	121 - 42	10G9	DECALS, LEFT-HAND.....	170 - 30
9D9	CYLINDER DRIVE GEAR CASE, DUAL-RANGE.....	121 - 32	10G12	DECALS, REAR	170 - 34
9D15	CYLINDER DRIVE INTERMEDIATE SHAFT MOUNTING, DUAL-RANGE	121 - 38	10F9	DECALS, SAFETY AND LOCATIONS	170 - 6
9D17	CYLINDER DRIVE INTERMEDIATE SHEAVE, DUAL-RANGE	121 - 40	10F11	DECALS, SAFETY AND LOCATIONS	170 - 8
			10F13	DECALS, SAFETY AND LOCATIONS	170 - 10
			10F15	DECALS, SAFETY AND LOCATIONS	170 - 12
			10F17	DECALS, SAFETY AND LOCATIONS	170 - 14
			10F19	DECALS, SAFETY AND LOCATIONS - FRENCH.....	170 - 16
			10F21	DECALS, SAFETY AND LOCATIONS - FRENCH.....	170 - 18
			10F23	DECALS, SAFETY AND LOCATIONS - FRENCH.....	170 - 20
			10G1	DECALS, SAFETY AND LOCATIONS - FRENCH.....	170 - 22
			10G3	DECALS, SAFETY AND LOCATIONS - FRENCH.....	170 - 24
			10G14	DECALS, TOP	170 - 36
			9F12	DECK, SUPPORTS AND FINNS, STRAW CHOPPER.....	125 - 2
			9G9	DEFLECTORS AND CURTAINS, CORN	125 - 24
			3C17	DIAL-A-MATIC ADAPTOR HARNESS	40 - 12

ALPHABETICAL INDEX - CONTINUED

GRID		PAGE	GRID		PAGE
10F1	DIAL-A-MATIC ELECTRICAL HARNESS	160 - 4	4G23	DRIVE MOTOR, HYDROSTATIC	50 - 120
10E23	DIAL-A-MATIC HEADER HEIGHT CONTROL HYDRAULIC LINE AND VALVE BLOCK	160 - 2	4E11	DRIVE MOTOR, HYDROSTATIC (RING AND PINION)	50 - 56
6D16	DIAL-A-MATIC HEADER HEIGHT CONTROL, VALVE BLOCK SOLENOID	70 - 37	4E5	DRIVE PUMP COVER, HYDROSTATIC (RING AND PINION)	50 - 50
10E24	DIAL-A-MATIC HEADER HEIGHT CONTROL, VALVE BLOCK SOLENOID	160 - 3	4E1	DRIVE PUMP, COVER, SHAFT, HYDROSTATIC (RING AND PINION)	50 - 46
4D9	DIFFERENTIAL GEARS AND SHAFTS	50 - 30	4H1	DRIVE PUMP, HYDROSTATIC HYDRAULIC PUMP CONNECTING HARDWARE	50 - 122
4D11	DIFFERENTIAL GEARS AND SHAFTS (SIDEHILL)	50 - 32	6F5	DRIVE PUMP, REEL/BELT PICKUP	70 - 78
7H22	DIODE, A/C COMPRESSOR (650201-) R134A	90 - 94	9C16	DRIVE SHAFT, GEARCASE AND PRIMARY COUNTERSHAFT	121 - 14
1D13	DIPSTICK TUBE	25 - 6	8F11	DRIVE SHAFT, HEADER - SH - (645301-)	110 - 84
1E8	DIPSTICK, ENGINE OIL (EARLY DESIGN) (ESN -499999)	25 - 26	4D13	DRIVE SHAFTS, FINAL (SIDEHILL)	50 - 34
2C21	DIPSTICK, ENGINE OIL (ESN 500000-)	30 - 14	7D11	DRIVE SHIELD, R.H. REAR	80 - 38
9G17	DISC, CHAFF SPREADER (BELT TYPE) (-650200)	125 - 32	7D7	DRIVE SHIELDS, AUGER, (R.H.)	80 - 34
9G19	DISC, CHAFF SPREADER (DUAL MOTOR) (650201-)	125 - 34	8C8	DRIVE SHIELDS, CONTOUR MASTER FEEDER HOUSE (661186-)	110 - 6
6G20	DIVIDER MOUNTING, FLOW	70 - 118	7D9	DRIVE SHIELDS, MUD AND FAN (L.H.)	80 - 36
6G20	DIVIDER VALVE, FLOW	70 - 118	8C4	DRIVE SHIELDS, SAFETY STOP, FEEDER HOUSE	110 - 2
7E15	DOOR AND GLASS, CAB	90 - 12	8C6	DRIVE SHIELDS, SAFETY STOP, FEEDER HOUSE (SIDEHILL)	110 - 4
7E13	DOOR LATCH, CAB	90 - 10	9F7	DRIVE SHIELDS, STRAW CHOPPER (640301-)	121 - 78
7D21	DOOR, CORNER SHEET, LEFT - HAND FRONT	80 - 48	9G7	DRIVE SPROCKETS, STRAW CHOPPER (655101-)	125 - 22
8G3	DOOR, CYLINDER (CORN & GRAIN) (650201-655864)	120 - 8	4C22	DRIVE SUPPORT SHIELD, FINAL (SIDEHILL)	50 - 17
8G1	DOOR, CYLINDER (FOR CORN) (-650200)	120 - 6	10C24	DRIVE TIGHTENER, ELEVATOR AND IDLER, CLEAN GRAIN	130 - 22
8G5	DOOR, CYLINDER (655865-)	120 - 10	9E17	DRIVE TIGHTENER, FEEDER HOUSE	121 - 64
8G7	DOOR, CYLINDER DOOR (ARGENTINA ONLY)	120 - 12	8E5	DRIVE TIGHTENER, FIXED SPEED FEEDER HOUSE	110 - 52
10C4	DOOR, HINGED, CLEAN GRAIN LOWER AUGER	130 - 2	9I11	DRIVE TIGHTENER, LOWER TAILINGS AUGER	125 - 74
1C1	DOOR, ROTARY SCREEN (-640200)	20 - 4	8E3	DRIVE TIGHTENER, VARIABLE SPEED	110 - 50
9G11	DOOR, STRAW CHOPPER	125 - 26	4C13	DRIVE WHEELS	50 - 8
6E13	DOUBLE PILOTED, AUGER SWING, SOLENOID CONTROL VALVE (-650200)	70 - 60	4C14	DRIVE WHEELS	50 - 9
5C9	DRAIN PLUG, PARKING BRAKE (-640200)	60 - 6	4C15	DRIVE WHEELS, HIGH FLOATATION	50 - 10
2G3	DRAIN VALVE, FUEL TANK	32 - 2	9E19	DRIVE, BELT PICKUP / REEL PUMP MOUNTING SHEAVE	121 - 66
2G7	DRAIN VALVE, FUEL TANK	32 - 6	2F17	DRIVE, BENDIX (12V F4)	30 - 86
2G19	DRAIN VALVE, RADIATOR	32 - 18	9E7	DRIVE, CLEANING FAN, SEPARATOR	121 - 54
10E17	DRIVE BELT GUIDE, UNLOADING AUGER	130 - 64	10F6	DRIVE, CYLINDER INTERMEDIATE, BELTS	170 - 3
9I8	DRIVE BRACKET, TAILINGS AND LOWER TROUGH SUPPORT	125 - 71	10F6	DRIVE, CYLINDER, BELTS	170 - 3
8F9	DRIVE CHAIN IDLERS AND SHIELD BRACKETS (SIDEHILL)	110 - 82	9E15	DRIVE, FAN, SPEED CONTROL SHEAVE LINKAGE	121 - 62
9I10	DRIVE CHAIN TIGHTENER, UPPER TAILINGS	125 - 73	4D15	DRIVE, FINAL (RING AND PINION)	50 - 36
4C9	DRIVE CONTROL CABLES, HYDROSTATIC (-645200)	50 - 4	9D23	DRIVE, GEARCASE, STRAW WALKER	121 - 46
4C11	DRIVE CONTROL CABLES, HYDROSTATIC (645201-)	50 - 6	4F14	DRIVE, HYDROSTATIC, LOWER OIL LINES (FOUR WHEEL DRIVE) (-655200)	50 - 86
4E9	DRIVE DISPLACEMENT CONTROL VALVE, HYDROSTATIC (RING AND PINION)	50 - 54	4F16	DRIVE, HYDROSTATIC, LOWER OIL LINES (FOUR WHEEL DRIVE) (655201-)	50 - 88
2C23	DRIVE GEAR, OIL PUMP (ESN 500000-)	30 - 16	4F24	DRIVE, HYDROSTATIC, LOWER OIL LINES (FOUR WHEEL DRIVE) (655201-)	50 - 96
1D24	DRIVE GEAR, OIL PUMP (HH001 OR HH004) (ESN -499999)(MKD RE53201)	25 - 17	4F18	DRIVE, HYDROSTATIC, LOWER OIL LINES (TWO WHEEL DRIVE) (655201-)	50 - 90
1D25	DRIVE GEAR, OIL PUMP (HH003) (LATE DESIGN)	25 - 18	1B23	DRIVE, ROTARY SCREEN (-645200)	20 - 1
1D24	DRIVE GEAR, OIL PUMP (TH001 - EARLY DESIGN) (STD HP)(MKD RE53201)	25 - 17	9D21	DRIVE, SECONDARY COUNTERSHAFT	121 - 44
9E1	DRIVE GEARCASE, STRAW WALKER	121 - 48	9F5	DRIVE, STRAW CHOPPER, SHIELDS (-640300)	121 - 76
1H1	DRIVE HOUSING, STARTER (ND) (NO. 028000-3292) (6076)(EARLY DESIGN)	25 - 97	1C4	DRIVES, ENGINE FAN	20 - 8
4C7	DRIVE LEVER, CABLE AND SWITCH, HYDROSTATIC	50 - 2	9E21	DRIVES, STRAW CHOPPER (FRONT)	121 - 68
			9F1	DRIVES, STRAW CHOPPER, (REAR)	121 - 72
			9E23	DRIVES, STRAW CHOPPER, FINE CUT (FRONT)	121 - 70
			9F3	DRIVES, STRAW CHOPPER, FINE CUT (REAR)	121 - 74
			8F15	DRIVESHAFT, CONTOUR MASTER (660201-)	110 - 88

ALPHABETICAL INDEX - CONTINUED

GRID		PAGE	GRID		PAGE
5C19	DRUM AND SHOES, BRAKE	60 - 16	1G1	ELECTRONIC CONTROL UNIT (HH003) (LATE DESIGN STD. HP ENGINE) (149284-499999)	25 - 70
8E20	DRUM, CHAIN AND IDLER SHAFT, FEEDER CONVEYOR, SIDEHILL	110 - 68	1G3	ELECTRONIC CONTROL UNIT (HH004) (EARLY DESIGN ENGINE)	25 - 72
8F13	DRUVE SHAFT, HEADER - SH - (645301-)	110 - 86	1F24	ELECTRONIC CONTROL UNIT (TH001) (EARLY DESIGN STD. HP ENGINE)	25 - 68
6D19	DUAL ACCUMULATOR AND MOUNTING (-655200) ONE-HALF GALLON	70 - 40	2E18	ELECTRONIC CONTROL UNIT (6076HH031) (RB) (LATE DESIGN F.I.P.)	30 - 62
3E21	DUAL LEVEL MONITOR HARNESS, GRAIN TANK AND UNLOADING AUGER LIGHT	40 - 66	2E20	ELECTRONIC CONTROL UNIT (6076HH035) (RB) (LATE DESIGN F.I.P.)	30 - 64
4C16	DUAL WHEELS, WIDE-SPACED	50 - 11	1G3	ELECTRONIC FUEL INJECTION PUMP (HH004) (EARLY DESIGN ENGINE)	25 - 72
9D19	DUAL-RANGE CYLINDER DRIVE ADJUSTING BRACKET	121 - 42	2E4	ELECTRONIC FUEL INJECTION PUMP (6076 HH032)	30 - 48
9D9	DUAL-RANGE CYLINDER DRIVE GEAR CASE	121 - 32	2E10	ELECTRONIC FUEL INJECTION PUMP (6076HH032) (EARLY DESIGN)	30 - 54
9D15	DUAL-RANGE CYLINDER DRIVE INTERMEDIATE SHAFT MOUNTING	121 - 38	2E12	ELECTRONIC FUEL INJECTION PUMP (6076HH032) (ROBERT BOSCH)	30 - 56
9D17	DUAL-RANGE CYLINDER DRIVE INTERMEDIATE SHEAVE	121 - 40	2E14	ELECTRONIC FUEL INJECTION PUMP (6076HH036)	30 - 58
9D13	DUAL-RANGE CYLINDER DRIVE TIGHTENER	121 - 36	2E18	ELECTRONIC FUEL INJECTION PUMP (RB) (6076HH031) (LATE DESIGN F.I.P.)	30 - 62
9D11	DUAL-RANGE LOCKOUT ARM	121 - 34	2E20	ELECTRONIC FUEL INJECTION PUMP (6076HH035) (RB) (LATE DESIGN F.I.P.)	30 - 64
1C2	DUCT, ROTARY SCREEN AIR	20 - 6	3F21	ELECTRONICS MODULE, CENTRAL AND CIRCUIT BOARDS	40 - 90
1C1	DUCT, ROTARY SCREEN AIR (-640200)	20 - 4	8I7	ELEMENT, CHAFFER	120 - 62
7F12	DUCTS, HEATER AND AIR CONDITIONING	90 - 33	8I9	ELEMENT, CHAFFER	120 - 64
8D15	DUST FAN BELT, LH SIDE FEEDER HOUSE-RETROFIT INSTALLATION	110 - 38	8I11	ELEMENT, CHAFFER EXTENSION	120 - 66
8D13	DUST FAN, LH SIDE FEEDER HOUSE-RETROFIT INSTALLATION	110 - 36	8I15	ELEMENT, SIEVE	120 - 70
E					
1G1	E.C.U. (HH003) (LATE DESIGN STD. HP ENGINE) (ESN 149284-499999)	25 - 70	9I7	ELEVATOR CONVEYOR CHAIN, SPROCKETS AND BEARINGS, TAILINGS	125 - 70
1G3	E.C.U. (HH004) (EARLY DESIGN ENGINE)	25 - 72	10C24	ELEVATOR DRIVE TIGHTENER AND IDLER, CLEAN GRAIN	130 - 22
2E12	E.C.U. (ROBERT BOSCH) (6076HH032)	30 - 56	10C22	ELEVATOR GEARCASE AND SHEAVE, CLEAN GRAIN	130 - 20
1F24	E.C.U. (TH001) (EARLY DESIGN STD. HP ENGINE)	25 - 68	9I5	ELEVATOR HOUSING, TAILINGS	125 - 68
2E16	E.C.U. (6076HH031) (DENSO) (EARLY DESIGN F.I.P.)	30 - 60	10C12	ELEVATOR SHAFT, SPROCKET AND SHEAVE, UPPER CLEAN GRAIN	130 - 10
2E18	E.C.U. (6076HH031) (ROBERT BOSCH) (LATE DESIGN F.I.P.)	30 - 62	10D1	ELEVATOR SHIELDS, UPPER CLEAN GRAIN (-640528)	130 - 24
2E20	E.C.U. (6076HH035) (ROBERT BOSCH) (LATE DESIGN F.I.P.)	30 - 64	10D3	ELEVATOR SHIELDS, UPPER CLEAN GRAIN (640529-)	130 - 26
2E14	E.C.U. (6076HH036)	30 - 58	10F6	ELEVATOR, CLEAN GRAIN BELTS	170 - 3
2E4	ECU (6076HH030, HH032)	30 - 48	10C6	ELEVATOR, LOWER AND CONVEYOR CHAIN, CLEAN GRAIN	130 - 4
2E10	ECU (6076HH032) (EARLY DESIGN)	30 - 54	10C8	ELEVATOR, LOWER AND CONVEYOR CHAIN, CLEAN GRAIN	130 - 6
3F19	ECU, ELECTRONIC CONTROL UNIT	40 - 88	10C10	ELEVATOR, UPPER CLEAN GRAIN	130 - 8
3E11	EITHER START SOLENOID, 6076	40 - 56	7C5	ENGINE ACCESS DOOR, HANDRAILS, AND RADIATOR DOOR	80 - 8
5D3	EITHERAID START BUTTON	60 - 24	7C19	ENGINE ACCESS PLATFORM AND STEP	80 - 22
7H1	EITHERAID START BUTTON	90 - 72	2G15	ENGINE AIR CLEANER AND INTAKE TUBES (6076, HH032) (645201-)	32 - 14
1F4	ELBOW, HEATER RETURN (EARLY DESIGN) (ESN -499999)	25 - 47	3F17	ENGINE CIRCUIT BREAKERS	40 - 86
5C4	ELECTRICAL COIL - PARKING BRAKE VALVE (-640200)	60 - 1	3F14	ENGINE CIRCUIT BREAKERS (-660200)	40 - 83
3G1	ELECTRICAL CONNECTOR SERVICE KIT	40 - 94	3F15	ENGINE CIRCUIT BREAKERS (660201-)	40 - 84
3G3	ELECTRICAL CONNECTOR SERVICE KIT	40 - 96	7C11	ENGINE COMPARTMENT (-640200)	80 - 14
10F1	ELECTRICAL HARNESS, DIAL-A-MATIC	160 - 4	7C13	ENGINE COMPARTMENT (-640200)	80 - 16
4C7	ELECTRICAL PLATFORM REEL LIFT SWITCH	50 - 2	7C15	ENGINE COMPARTMENT (640201-)	80 - 18
3G15	ELECTRICAL SERVICE OUTLET	40 - 108	7C17	ENGINE COMPARTMENT (640201-)	80 - 20
9D1	ELECTROMAGNETIC HEADER CLUTCH	121 - 24			
2E12	ELECTRONIC CONTROL UNIT (6076HH032) (ROBERT BOSCH)	30 - 56			
2E14	ELECTRONIC CONTROL UNIT (6076HH036)	30 - 58			
3F19	ELECTRONIC CONTROL UNIT (ECU)	40 - 88			

ALPHABETICAL INDEX - CONTINUED

GRID		PAGE	GRID		PAGE
2D24	ENGINE COOLANT HEATER	30 - 42	2F13	ENGINE REBUILD GASKET KIT (ESN 500000-)	30 - 82
10F5	ENGINE DRIVE BELTS	170 - 2	1H3	ENGINE SPEED SENSOR (EARLY DESIGN)	25 - 99
10F5	ENGINE DRIVE SHEAVES	170 - 2	2F21	ENGINE SPEED SENSOR (ESN 500000-)	30 - 90
1C4	ENGINE FAN AND DRIVES	20 - 8	3E11	ENGINE TEMP. SWITCH, 6076	40 - 56
1C6	ENGINE FAN DRIVE	20 - 10	3E11	ENGINE TEMPERATURE SENDING UNIT	40 - 56
6G5	ENGINE GEARCASE OIL FILTER ASSEMBLY	70 - 102	1D10	ENGINE UNDERHAUL KIT (STD BEARINGS)	25 - 3
6G7	ENGINE GEARCASE PRESSURE REGULATOR	70 - 104	2C10	ENGINE UNDERHAUL KIT (STD BRGS) (6076)	30 - 3
9C8	ENGINE GEARCASE- SEPARATOR DRIVE WET- CLUTCH AND PUMP DRIVE SHAFT	121 - 6	3E11	ENGINE WIRING HARNESS, 6076 (LOWER PARTS)	40 - 56
9C4	ENGINE GEARCASE- STRAW CHOPPER, UNLOADING DRIVE AND SEPARATOR DRIVE GEAR	121 - 2	1C10	ENGINE-TRANSMISSION COUPLING WITH HUB	20 - 14
4H1	ENGINE GEARCASE, HYDROSTATIC DRIVE PUMP, HYDRAULIC PUMP CONNECTING HARDWARE	50 - 122	3E13	ENGINE, HARNESS FOR 6076 (LOWER PARTS)	40 - 58
9C12	ENGINE GEARCASE, SEPARATOR AND PUMP DRIVE	121 - 10	3E9	ENGINE, HARNESS FOR 6076 (UPPER PARTS)	40 - 54
9C14	ENGINE GEARCASE, SEPARATOR AND PUMP DRIVE	121 - 12	2G9	ETHER STARTING AID (-656805)	32 - 8
9C10	ENGINE GEARCASE, SEPARATOR DRIVE WET- CLUTCH AND PUMP DRIVE SHAFT	121 - 8	2G11	ETHER STARTING AID (656806-)	32 - 10
9C6	ENGINE GEARCASE, STRAW CHOPPER, UNLOAD- ING DRIVE AND SEPARATOR DRIVE GEAR	121 - 4	2E3	ETHER STARTING FITTINGS (6076)	30 - 47
1C9	ENGINE MOUNTS AND REAR SUPPORT, 6076 (655552-)	20 - 13	3D1	EVAPORATOR	40 - 20
1C8	ENGINE MOUNTS AND REAR SUPPORT, 6076 SIDEHILL (645201-655551)	20 - 12	1F14	EXHAUST MANIFOLD	25 - 58
1C7	ENGINE MOUNTS AND REAR SUPPORT, 6076 9500 (-640200)	20 - 11	2E2	EXHAUST MANIFOLD	30 - 45
1C8	ENGINE MOUNTS AND REAR SUPPORT, 6076 9500 (640201-655551)	20 - 12	1F14	EXHAUST MANIFOLD GASKETS	25 - 58
7G16	ENGINE NEUTRAL SAFETY START SWITCH	90 - 62	2E2	EXHAUST MANIFOLD GASKETS	30 - 45
1D8	ENGINE OIL (TORQ-GARD)	25 - 1	2G17	EXHAUST PIPE AND MUFFLER	32 - 16
2C8	ENGINE OIL (TORQ-GARD)	30 - 1	1E10	EXHAUST VALVE SHIELD (ESN -499999)	25 - 28
1F3	ENGINE OIL COOLER (EARLY DESIGN) (ESN -499999)	25 - 46	2D4	EXHAUST VALVE SHIELD (ESN 500000-)	30 - 22
2D12	ENGINE OIL COOLER (ESN 500000-)	30 - 30	1E10	EXHAUST VALVES (ESN -499999)	25 - 28
1E8	ENGINE OIL DIPSTICK (EARLY DESIGN) (ESN -499999)	25 - 26	2D4	EXHAUST VALVES (ESN 500000-)	30 - 22
2C21	ENGINE OIL DIPSTICK (ESN 500000-)	30 - 14	2C19	EXPANDED ENGINE OVERHAUL KIT(S) (ESN 500000-)	30 - 12
2C21	ENGINE OIL DIPSTICK TUBE (ESN 500000-)	30 - 14	1D21	EXPANDED ENGINE OVERHAUL KITS (ESN -499999)	25 - 14
1E8	ENGINE OIL DIPSTICK TUBE (EARLY DESIGN) (ESN -499999)	25 - 26	7D3	EXTENSION AND LADDER, REAR	80 - 30
1E22	ENGINE OIL FILTER (ESN -499999)	25 - 40	8I11	EXTENSION ELEMENT, CHAFFER	120 - 66
2D12	ENGINE OIL FILTER (ESN 500000-)	30 - 30	10D11	EXTENSIONS, GRAIN TANK	130 - 34
3E11	ENGINE OIL PRESSURE SENDING UNIT	40 - 56			
1E14	ENGINE OIL PUMP (EARLY DESIGN OIL PUMP) (ESN -499999)	25 - 32	F		
2D10	ENGINE OIL PUMP (ESN 500000-)	30 - 28	7D9	FAN AND MUD DRIVE SHIELDS (L.H.)	80 - 36
1E16	ENGINE OIL PUMP (LATE DESIGN) (ESN -499999)	25 - 34	9E9	FAN DRIVE SPEED CONTROL LINKAGE (-640300)	121 - 56
2D9	ENGINE OIL PUMP INTAKE (500000-)	30 - 27	9E11	FAN DRIVE SPEED CONTROL LINKAGE (640301-655300)	121 - 58
1E18	ENGINE OIL PUMP INTAKE (REPLACEMENT) (USED WITH RE44118 OR RE60622)	25 - 36	9E13	FAN DRIVE SPEED CONTROL LINKAGE (655301-)	121 - 60
2C19	ENGINE OVERHAUL KIT(S) (ESN 500000-)	30 - 12	9E15	FAN DRIVE SPEED CONTROL SHEAVE LINKAGE	121 - 62
1D21	ENGINE OVERHAUL KITS (ESN -499999)	25 - 14	1C6	FAN DRIVE, ENGINE	20 - 10
3E15	ENGINE PLUGGED AIR FILTER WARNING SWITCH ..	40 - 60	3D7	FAN, AIR CONDITIONER PRESSURIZER KIT (640201-650200)	40 - 26
7C13	ENGINE RAILS (-640200)	80 - 16	7H9	FAN, AIR CONDITIONING/HEATER AND PRESSURIZING	90 - 80
7C15	ENGINE RAILS (640201-)	80 - 18	3F5	FAN, ALTERNATOR	40 - 74
7C17	ENGINE RAILS (640201-)	80 - 20	10F7	FAN, CLEANING, BELTS	170 - 4
1G16	ENGINE REBUILD GASKET KIT (ESN -499999)	25 - 86	9E7	FAN, DRIVE, CLEANING, SEPARATOR	121 - 54
			8D13	FAN, DUST, LH SIDE FEEDER HOUSE-RETROFIT INSTALLATION	110 - 36
			1C4	FAN, ENGINE AND DRIVES	20 - 8
			8H15	FANS AND SHROUDS, CLEANING	120 - 46
			8H17	FANS AND SHROUDS, CLEANING	120 - 48
			8G6	FC:5652	120 - 11
			8D1	FEED PLATE LATCH HANDLE	110 - 24
			10F5	FEEDER CONVEYOR BELTS	170 - 2
			8E18	FEEDER CONVEYOR BRACKET	110 - 66
			8E18	FEEDER CONVEYOR DRIVE CHAIN	110 - 66

ALPHABETICAL INDEX - CONTINUED

GRID		PAGE	GRID		PAGE
8E22	FEEDER CONVEYOR DRIVE CHAIN, TIGHTENER AND GUIDES.....	110-70	3C9	FIELD LIGHTS SWITCH, AUX, OPTIONAL	40-4
8E24	FEEDER CONVEYOR DRIVE CHAIN, TIGHTENER AND GUIDES (SIDEHILL).....	110-72	2F17	FIELD WINDING COIL (12V F4).....	30-86
8D11	FEEDER CONVEYOR DRIVE CHAIN, TIGHTENER AND GUIDES-RETROFIT INSTALLATION.....	110-34	1G21	FIELD WINDING COIL (12V F4) (ESN 136851-499999).....	25-92
8E18	FEEDER CONVEYOR IDLER	110-66	7F11	FILTER AND HOUSING, AIR, CAB	90-32
8E20	FEEDER CONVEYOR IDLER SHAFT, DRUM AND CHAIN, SIDEHILL	110-68	6G5	FILTER ASSEMBLY, OIL, ENGINE GEARCASE	70-102
3H6	FEEDER HOUSE BACKSHAFT SPEED SENSOR	40-124	2G15	FILTER, AIR CLEANER (6076, HH032) (645201-)	32-14
10F7	FEEDER HOUSE BELTS	170-4	2G13	FILTER, AIR CLEANER SIDEHILL (-645200)	32-12
8C8	FEEDER HOUSE DRIVE SHIELDS - CONTOUR MASTER (661186-).....	110-6	1E22	FILTER, ENGINE OIL (EARLY DESIGN) (ESN -499999).....	25-40
8C4	FEEDER HOUSE DRIVE SHIELDS AND SAFETY STOP	110-2	2D12	FILTER, ENGINE OIL (ESN 500000-)	30-30
8C6	FEEDER HOUSE DRIVE SHIELDS AND SAFETY STOP (SIDEHILL)	110-4	2F9	FILTER, FUEL (ESN 500000-) (HH030, HH032, HH034, HH036)	30-78
9E17	FEEDER HOUSE DRIVE TIGHTENER.....	121-64	2F11	FILTER, FUEL (HH031 OR HH035)	30-80
8E5	FEEDER HOUSE DRIVE TIGHTENER (FIXED SPEED)	110-52	1G13	FILTER, FUEL (6076) (ESN -499999)	25-82
8D15	FEEDER HOUSE DUST FAN BELT, LH SIDE - RETROFIT INSTALLATION	110-38	3E11	FILTER, HYDRAULIC	40-56
8D13	FEEDER HOUSE DUST FAN, LH SIDE - RETROFIT INSTALLATION	110-36	4E7	FILTER, HYDROSTATIC DRIVE PUMP	50-52
8C24	FEEDER HOUSE FLOOR AND SUPPORT	110-22	6C21	FILTER, MAIN HYDRAULIC	70-17
8C10	FEEDER HOUSE FRAME	110-8	3E15	FILTER, PLUGGED AIR WARNING SWITCH	40-60
8C12	FEEDER HOUSE FRAME, SIDEHILL.....	110-10	1E24	FILTER, WEEP HOLE (WATER PUMP) (EARLY DESIGN) (ESN -499999)	25-42
8C16	FEEDER HOUSE FRAME, TILT BEAM & CLOSURE PLATES, CONTOUR MASTER (660201-).....	110-14	2D14	FILTER, WEEP HOLE (WATER PUMP) (ESN 500000-).....	30-32
8F7	FEEDER HOUSE FRONT DRIVE SHAFT, SHEAVE AND MOUNTINGS (FIXED SPEED WITH.....	110-80	3D14	FILTER, WINDSHIELD WASHER	40-34
8D9	FEEDER HOUSE LEVELING CABLES.....	110-32	7H7	FILTERS, AIR CONDITIONER AND HEATER AND HOUSING.....	90-78
8F1	FEEDER HOUSE LOWER SHAFT, PADDLES AND SPROCKET (SIDEHILL)	110-74	7H7	FILTERS, HEATER AND AIR CONDITIONING AND HOUSING.....	90-78
6C16	FEEDER HOUSE OIL COOLER	70-12	4D15	FINAL DRIVE (RING AND PINION)	50-36
6C18	FEEDER HOUSE OIL COOLER GEARBOX FITTINGS AND HOSES	70-14	4D19	FINAL DRIVE AXLE, GEAR AND BEARINGS (RING AND PINION)	50-40
6C14	FEEDER HOUSE OIL COOLER LUBE OIL PUMP	70-10	4D20	FINAL DRIVE AXLE, GEAR AND BEARINGS (RING AND PINION) (SIDEHILL)	50-41
8C22	FEEDER HOUSE OUTER CLOSURE FRAME	110-20	4D16	FINAL DRIVE HOUSING AND BEARING CAP (RING AND PINION)	50-37
8F1	FEEDER HOUSE PADDLE SHAFT (SIDEHILL).....	110-74	4D17	FINAL DRIVE HOUSING AND BEARING CAP (RING AND PINION) (SIDEHILL)	50-38
8F1	FEEDER HOUSE PADDLES, LOWER SHAFT (SIDEHILL).....	110-74	4C21	FINAL DRIVE INNER CASTING AND PIVOT TUBE (SIDEHILL) (RING AND PINION)	50-16
8D3	FEEDER HOUSE RETURN FLOOR (-643900)	110-26	4D23	FINAL DRIVE PINION AND BEARINGS (RING AND PINION) (SIDEHILL)	50-44
8D5	FEEDER HOUSE RETURN FLOOR (643901-)	110-28	4D21	FINAL DRIVE PINION, SHAFTS AND BEARINGS (RING AND PINION)	50-42
7F17	FEEDER HOUSE REVERSER FOOT CONTROL	90-38	4G21	FINAL DRIVE SHAFT SHIELDS (RING AND PINION)	50-118
8D23	FEEDER HOUSE REVERSER FOOT CONTROL	110-46	4D13	FINAL DRIVE SHAFTS (SIDEHILL)	50-34
8C14	FEEDER HOUSE SHELL - CONTOUR MASTER (660201-).....	110-12	4C22	FINAL DRIVE SUPPORT SHIELD (SIDEHILL)	50-17
8E12	FEEDER HOUSE SLIP CLUTCH	110-60	3F12	FINDER LIGHTS, SIDE (L.H. AND R.H.)	40-81
8E8	FEEDER HOUSE UPPER SHAFT (-643900)	110-56	9F22	FINE CUT ROTOR STRAW CHOPPER (PADDLED NARROW (670492-)	125-12
8E10	FEEDER HOUSE UPPER SHAFT (643901-)	110-58	9F20	FINE CUT ROTOR STRAW CHOPPER (STRAIGHT NARROW (670492-)	125-10
6C13	FEEDER HOUSE VARIABLE DRIVE HYDRAULIC HOSE	70-9	9E23	FINE CUT STRAW CHOPPER DRIVES (FRONT)	121-70
8C14	FEEDER HOUSE WEAR PLATES - CONTOUR MASTER (660201-).....	110-12	9F3	FINE CUT STRAW CHOPPER DRIVES (REAR).....	121-74
8F21	FEEDER HOUSE/SEPARATOR SEAL, STONE TRAP AND DOOR.....	120-2	8H1	FINGER GRATE, SPIKE-TOOTH	120-32
8F23	FEEDER HOUSE/SEPARATOR SEAL, STONE TRAP AND DOOR.....	120-4	9F12	FINS, SUPPORTS AND DECK, STRAW CHOPPER.....	125-2
3C15	FIELD LIGHTING, AUXILIARY	40-10	6C18	FITTINGS AND HOSES, OIL COOLER, GEARBOX, FEEDER HOUSE.....	70-14
3G21	FIELD LIGHTS (660201-).....	40-114	9H11	FITTINGS AND LINES, CHAFF SPREADER	125-50
			1D13	FITTINGS BLOCK, CYLINDER (WITH HEAD BOLTS)	25-6
			2C11	FITTINGS, CYLINDER BLOCK (ESN 500000-).....	30-4
			2E3	FITTINGS, ETHER STARTING (6076)	30-47

ALPHABETICAL INDEX - CONTINUED

GRID		PAGE	GRID		PAGE
2G3	FITTINGS, FUEL TANK AND SUPPORTS.....	32 - 2	2F9	FUEL FILTER (ESN 500000-) (HH030, HH032, HH034, HH036).....	30 - 78
2G7	FITTINGS, TANK FUEL LINES.....	32 - 6	2F11	FUEL FILTER (HH031 OR HH035).....	30 - 80
6F20	FITTINGS, TILT CYLINDER - CONTOUR MASTER	70 - 93	1G13	FUEL FILTER (6076) (ESN -499999).....	25 - 82
5D23	FIXED REAR AXLE	60 - 44	2F9	FUEL FILTER LINES (ESN 500000-) (HH030, HH032, HH034, HH036).....	30 - 78
8E5	FIXED SPEED FEEDER HOUSE DRIVE TIGHTENER..	110 - 52	2F11	FUEL FILTER LINES (HH031 OR HH035).....	30 - 80
6H7	FLAT O-RING KIT, HYDRAULIC.....	70 - 130	1G13	FUEL FILTER LINES (6076) (ESN -499999).....	25 - 82
8C24	FLOOR AND SUPPORT, FEEDER HOUSE.....	110 - 22	1F18	FUEL INJECTION LINES (HH001, HH004) (EARLY DESIGN ENG)(ESN 165439-499999).....	25 - 62
7E5	FLOOR MAT AND PANELS, CAB	90 - 2	1F16	FUEL INJECTION LINES (HH001, HH004) (EARLY DESIGN ENGINE) (ESN -165438)	25 - 60
6C10	FLOW CONTROL VALVE, REEL DRIVE	70 - 6	1F22	FUEL INJECTION LINES (HH003) (ESN 165439-499999)	25 - 66
6G20	FLOW DIVIDER MOUNTING.....	70 - 118	2E8	FUEL INJECTION LINES (HH030, HH032, HH034, HH036)	30 - 52
6G20	FLOW DIVIDER VALVE.....	70 - 118	1F20	FUEL INJECTION LINES (TH001, HH003) (EARLY DESIGN ENG)(ESN -165438)	25 - 64
6G21	FLOW DIVIDER, LEVELING SYSYEM	70 - 120	2E6	FUEL INJECTION LINES (6076HH031, HH035)	30 - 50
1E3	FLYWHEEL.....	25 - 21	1G11	FUEL INJECTION NOZZLE (DENSO) (ESN -499999).....	25 - 80
2D1	FLYWHEEL.....	30 - 19	2F5	FUEL INJECTION NOZZLE (DENSO) (ESN 538146-) (6076HH031, HH035).....	30 - 74
7E7	FOAM, SEALS AND SOUND DEADENING, CAB	90 - 4	2F7	FUEL INJECTION NOZZLE (DENSO) (6076HH030, HH032, HH034, OR HH036)	30 - 76
2D6	FOLLOWER, CAMSHAFT	30 - 24	1G10	FUEL INJECTION NOZZLE (RB) (6076TH001 OR HH003) (EARLY DESIGN ENGINE)	25 - 79
1E9	FOLLOWER, CAMSHAFT (EARLY DESIGN).....	25 - 27	2F3	FUEL INJECTION NOZZLE (ROBERT BOSCH) (6076HH031) (ESN 500000-538145)	30 - 72
1E6	FOLLOWER, CAMSHAFT (ESN -499999) (TH001, HH001, HH004).....	25 - 24	2F4	FUEL INJECTION NOZZLE (STANADYNE) (6076HH031)	30 - 73
2D3	FOLLOWER, CAMSHAFT (ESN 500000-)	30 - 21	1F18	FUEL INJECTION NOZZLES (HH001, HH004) (EARLY DESIGN ENG)(ESN 165439-499999).....	25 - 62
1E7	FOLLOWER, CAMSHAFT (6076HH003).....	25 - 25	1F16	FUEL INJECTION NOZZLES (HH001, HH004) (EARLY DESIGN ENGINE) (ESN -165438)	25 - 60
7F17	FOOT PEDAL, FEEDER HOUSE REVERSER	90 - 38	1F22	FUEL INJECTION NOZZLES (HH003) (ESN 165439-499999).....	25 - 66
8D23	FOOT PEDAL, FEEDER HOUSE REVERSER	110 - 46	2E8	FUEL INJECTION NOZZLES (HH030, HH032, HH034, HH036)	30 - 52
7G2	FORE-AND-AFT, SEAT ADJUST	90 - 48	1F20	FUEL INJECTION NOZZLES (TH001, HH003) (EARLY DESIGN ENG)(ESN -165438)	25 - 64
4G15	FOUR WHEEL DRIVE HYDRAULIC LINES AND HOS ES, L.H. (655201-).....	50 - 112	2E6	FUEL INJECTION NOZZLES (6076HH031, HH035)	30 - 50
8I5	FRAME ARMS, PRECLEANER CHAFFER	120 - 60	3E9	FUEL INJECTION PUMP.....	40 - 54
7E17	FRAME, CAB AND SUPPORT	90 - 14	1G1	FUEL INJECTION PUMP (HH003) (LATE DESIGN STD. HP ENGINE) (ESN 149284-499999).....	25 - 70
8I13	FRAME, CHAFFER	120 - 68	1G3	FUEL INJECTION PUMP (HH004) (EARLY DESIGN ENGINE).....	25 - 72
8C10	FRAME, FEEDER HOUSE	110 - 8	2E12	FUEL INJECTION PUMP (ROBERT BOSCH) (6076HH032)	30 - 56
8C16	FRAME, FEEDER HOUSE, CONTOUR MASTER (660201-).....	110 - 14	1F24	FUEL INJECTION PUMP (TH001) (EARLY DESIGN STD. HP ENGINE).....	25 - 68
8C12	FRAME, FEEDER HOUSE, SIDEHILL	110 - 10	2E16	FUEL INJECTION PUMP (6076HH031) (DENSO) (EARLY DESIGN F.I.P.)	30 - 60
5D19	FRAME, REAR AXLE TRASH SHIELD	60 - 40	2E18	FUEL INJECTION PUMP (6076HH031) (ROBERT BOSCH) (LATE DESIGN F.I.P.)	30 - 62
7B23	FRAME, SEPARATOR.....	80 - 2	2E4	FUEL INJECTION PUMP (6076HH032)	30 - 48
7C1	FRAME, SEPARATOR.....	80 - 4	2E10	FUEL INJECTION PUMP (6076HH032) (EARLY DESIGN)	30 - 54
9G21	FRAME, SHIELDS AND HANDLES, CHAFF SPREADER (BELT TYPE) (-650200).....	125 - 36	2E20	FUEL INJECTION PUMP (6076HH035) (ROBERT BOSCH) (LATE DESIGN F.I.P.)	30 - 64
8I17	FRAME, SIEVE	120 - 72	2E14	FUEL INJECTION PUMP (6076HH036)	30 - 58
4C17	FRONT AXLE (RING AND PINION FINAL DRIVE)	50 - 12	2E24	FUEL INJECTION PUMP HOUSING CONNECTOR (RB)(HH031ORHH035)(LATE DESIGN F.I.P.)	30 - 68
4C18	FRONT AXLE (SIDEHILL) (RING AND PINION FINAL DRIVE)	50 - 13	1G15	FUEL INJECTION PUMP HOUSING CONNECTOR (ROBERT BOSCH) (6076HH001/HH004).....	25 - 85
7D21	FRONT CORNER SHEET AND DOOR (L.H.)	80 - 48			
7D17	FRONT CORNER SHEET, R H	80 - 44			
2D2	FRONT OIL SEAL (ESN 500000-)	30 - 20			
1E4	FRONT OIL SEAL (HH003) (EARLY DESIGN)	25 - 22			
1E5	FRONT OIL SEAL (TH001, HH001, HH004) (ESN -499999)	25 - 23			
8E16	FRONT SHAFT SLIP CLUTCH - FEEDER HOUSE (SIDEHILL).....	110 - 64			
8E1	FRONT SHAFT WITH REVERSER (VARIABLE)	110 - 48			
5D7	FRONT STEERING HOSES AND LINES.....	60 - 28			
8D19	FRONT VARIABLE DRIVE SHEAVE AND MOUNTINGS	110 - 42			
1F6	FRONT WATER MANIFOLD (HH003) (ESN -499999).....	25 - 49			
1F5	FRONT WATER MANIFOLD (EARLY DESIGN ENGINE) (TH001,HH001,HH004)	25 - 48			
2D18	FRONT WATER MANIFOLD (ESN 500000-).....	30 - 36			
2F9	FUEL CHECK VALVE (ESN 500000-) (HH030, HH032, HH034, HH036).....	30 - 78			
2F11	FUEL CHECK VALVE (HH031 OR HH035)	30 - 80			
1G13	FUEL CHECK VALVE (6076) (ESN -499999).....	25 - 82			

ALPHABETICAL INDEX - CONTINUED

GRID		PAGE	GRID		PAGE
1G8	FUEL INJECTION PUMP HOUSING CONNECTOR (ROBERT BOSCH) (6076HH004).....	25 - 77	2F13	GASKET KIT, SHORT BLOCK (ESN 500000-).....	30 - 82
2E22	FUEL INJECTION PUMP HOUSING CONNECTOR (6076HH030, HH032, HH034, HH036).....	30 - 66	1E10	GASKET, CYLINDER HEAD (ESN -499999).....	25 - 28
1G7	FUEL INJECTION PUMP HOUSING CONNECTORS (ND) (TH001/HH003)(ESN -499999)	25 - 76	2D4	GASKET, CYLINDER HEAD(ESN 500000-).....	30 - 22
2E23	FUEL INJECTION PUMP HOUSING CONNECTORS (ND) (6076HH031) (EARLY DESIGN F.I.P.)	30 - 67	2D21	GASKET, INTAKE MANIFOLD	30 - 39
2E16	FUEL LEAK-OFF LINE (6076HH031) (DENSO) (EARLY DESIGN F.I.P.)	30 - 60	2D12	GASKET, OIL COOLER (ESN 500000-)	30 - 30
2E14	FUEL LEAK-OFF LINES (6076HH036)	30 - 58	2D12	GASKET, OIL FILTER HOUSING (ESN 500000-).....	30 - 30
1F18	FUEL LEAK-OFF LINES (HH001, HH004) (EARLY DESIGN ENG)(ESN 165439-499999).....	25 - 62	1F15	GASKET, OIL PAN	25 - 59
1F16	FUEL LEAK-OFF LINES (HH001, HH004) (EARLY DESIGN ENGINE) (ESN -165438)	25 - 60	2D17	GASKET, OIL PAN	30 - 35
1F22	FUEL LEAK-OFF LINES (HH003) (ESN 165439-499999)	25 - 66	1E2	GASKET, REAR OIL SEAL	25 - 20
2E8	FUEL LEAK-OFF LINES (HH030, HH032, HH034, HH036)	30 - 52	2C25	GASKET, REAR OIL SEAL (6076)	30 - 18
2E12	FUEL LEAK-OFF LINES (ROBERT BOSCH) (6076HH032)	30 - 56	1E12	GASKET, ROCKER ARM COVER	25 - 30
1F20	FUEL LEAK-OFF LINES (TH001, HH003) (EARLY DESIGN ENG)(ESN -165438)	25 - 64	2D7	GASKET, ROCKER ARM COVER	30 - 25
2E4	FUEL LEAK-OFF LINES (6076 HH032)	30 - 48	2D2	GASKET, TIMING GEAR COVER (ESN 500000-).....	30 - 20
2E18	FUEL LEAK-OFF LINES (6076HH031) (ROBERT BOSCH) (LATE DESIGN F.I.P.)	30 - 62	1E5	GASKET, TIMING GEAR COVER (TH001,HH001,HH004)(ESN -499999)	25 - 23
2E6	FUEL LEAK-OFF LINES (6076HH031, HH035)	30 - 50	1E4	GASKET, TIMING GEAR COVER (HH003) (EARLY DESIGN)	25 - 22
2E10	FUEL LEAK-OFF LINES (6076HH032) (EARLY DESIGN)	30 - 54	1F10	GASKET, TURBOCHARGER	25 - 54
2E20	FUEL LEAK-OFF LINES (6076HH035) (ROBERT BOSCH) (LATE DESIGN F.I.P.)	30 - 64	2D22	GASKET, TURBOCHARGER	30 - 40
3E13	FUEL PUMP HARNESS	40 - 58	1F5	GASKET, WATER MANIFOLD (EARLY DESIGN ENGINE) (TH001,HH001,HH004)	25 - 48
2G5	FUEL PUMP, WATER SEPARATOR, AND FUEL SENDER	32 - 4	2D18	GASKET, WATER MANIFOLD (ESN 500000-).....	30 - 36
2G5	FUEL SENDER	32 - 4	1F6	GASKET, WATER MANIFOLD (HH003) (ESN -499999).....	25 - 49
2E4	FUEL SHUT-OFF SOLENOID HOUSING (6076 HH032)	30 - 48	1E24	GASKET, WATER PUMP (EARLY DESIGN) (ESN -499999).....	25 - 42
2E10	FUEL SHUT-OFF SOLENOID HOUSING (6076HH032) (EARLY DESIGN).....	30 - 54	2D14	GASKET, WATER PUMP (ESN 500000-)	30 - 32
2G3	FUEL TANK, SUPPORTS, AND FITTINGS	32 - 2	1F14	GASKETS, EXHAUST MANIFOLD	25 - 58
2F1	FUEL TRANSFER PUMP (DENSO) (ESN 500000-538145) (6076HH031)	30 - 70	2E2	GASKETS, EXHAUST MANIFOLD	30 - 45
2E25	FUEL TRANSFER PUMP (RB) (ESN 5000000-) (6076HH030, HH032, HH034, HH036).....	30 - 69	2D20	GASKETS, INTAKE MANIFOLD	30 - 38
2F2	FUEL TRANSFER PUMP (ROBERT BOSCH) (ESN 538146-) (6076HH031)	30 - 71	1F7	GASKETS, INTAKE MANIFOLD (ESN -499999).....	25 - 50
1G5	FUEL TRANSFER PUMP (ROBERT BOSCH) (HH001/HH004) (ESN -499999)	25 - 74	8D21	GEAR BOX, REVERSER.....	110 - 44
1G9	FUEL TRANSFER PUMP (ROBERT BOSCH) (HH004) (ESN -499999)	25 - 78	9D9	GEAR CASE, DUAL-RANGE CYLINDER DRIVE.....	121 - 32
1G6	FUEL TRANSFER PUMP (TH001, HH003) (ND) (ESN -499999)	25 - 75	10D13	GEAR CASE, LOWER, VERTICAL AUGER.....	130 - 36
G			4D20	GEAR, BEARINGS AND AXLE, FINAL DRIVE (RING AND PINION) (SIDEHILL)	50 - 41
1G16	GASKET KIT, CYLINDER HEAD (ESN -499999).....	25 - 86	1E6	GEAR, CAMSHAFT (ESN -499999)(W/R86565 GEAR)(TH001, HH001, HH004)	25 - 24
2F13	GASKET KIT, CYLINDER HEAD (ESN 500000-).....	30 - 82	2D3	GEAR, CAMSHAFT (ESN 500000-)	30 - 21
1G16	GASKET KIT, ENGINE REBUILD (ESN -499999).....	25 - 86	4D19	GEAR, FINAL DRIVE (RING AND PINION)	50 - 40
2F13	GASKET KIT, ENGINE REBUILD (ESN 500000-).....	30 - 82	2E4	GEAR, FUEL INJECTION PUMP (6076 HH032)	30 - 48
1G16	GASKET KIT, SHORT BLOCK (ESN -499999).....	25 - 86	2E16	GEAR, FUEL INJECTION PUMP (6076HH031) (ND) (EARLY DESIGN F.I.P.)	30 - 60
			2E10	GEAR, FUEL INJECTION PUMP (6076HH032) (EARLY DESIGN).....	30 - 54
			2E12	GEAR, INJECTION PUMP (ROBERT BOSCH) (6076HH032)	30 - 56
			2E18	GEAR, INJECTION PUMP (6076HH031) (ROBERT BOSCH) (LATE DESIGN F.I.P.)	30 - 62
			2E20	GEAR, INJECTION PUMP (6076HH035) (ROBERT BOSCH) (LATE DESIGN F.I.P.)	30 - 64
			2E14	GEAR, INJECTION PUMP (6076HH036)	30 - 58
			1E7	GEAR, INJECTION PUMP DRIVE (6076HH003).....	25 - 25
			2C23	GEAR, OIL PUMP DRIVE (ESN 500000-).....	30 - 16
			1D24	GEAR, OIL PUMP DRIVE (HH001 OR HH004) (ESN -499999)(MKD RE53201)	25 - 17
			1D25	GEAR, OIL PUMP DRIVE (HH003) (LATE DESIGN).....	25 - 18
			1D24	GEAR, OIL PUMP DRIVE (TH001 - EARLY DESIGN) (STD HP)(MKD RE53201)	25 - 17
			2D10	GEAR, OIL PUMP DRIVE(ESN 500000-).....	30 - 28

ALPHABETICAL INDEX - CONTINUED

GRID		PAGE	GRID		PAGE
1E3	GEAR, STARTER.....	25 - 21	8E24	GUIDES, TIGHTENER AND FEEDER CONVEYOR DRIVE CHAIN (SIDEHILL)	110 - 72
2D1	GEAR, STARTER.....	30 - 19	8D11	GUIDES, TIGHTENER AND FEEDER CONVEYOR DRIVE CHAIN-RETROFIT INSTALLATION	110 - 34
6C18	GEARBOX FITTINGS AND HOSES, OIL COOLER, FEEDER HOUSE.....	70 - 14	H		
4H1	GEARCASE	50 - 122	7E13	HANDLE, CAB DOOR	90 - 10
9D23	GEARCASE DRIVE, STRAW WALKER	121 - 46	8H8	HANDLE, LATCHES, SHOE GRAIN SUPPLY AUGER CLEANOUT DOOR	120 - 39
9C16	GEARCASE, DRIVE SHAFT AND PRIMARY COUNTERSHAFT	121 - 14	9G23	HANDLES AND SHIELDS, CHAFF SPREADER (DUAL MOTOR) (650201-655714)	125 - 38
10C22	GEARCASE, ELEVATOR AND SHEAVE, CLEAN GRAIN	130 - 20	9H1	HANDLES AND SHIELDS, CHAFF SPREADER (DUAL MOTOR) (655715-)	125 - 40
9C8	GEARCASE, ENGINE	121 - 6	9G21	HANDLES, FRAME AND SHIELDS, CHAFF SPREADER (BELT TYPE) (-650200).....	125 - 36
9C10	GEARCASE, ENGINE	121 - 8	7E21	HANDRAILS, OPERATOR'S PIVOTING PLATFORM	90 - 18
9C12	GEARCASE, ENGINE	121 - 10	7C5	HANDRAILS, RADIATOR DOOR AND ENGINE ACCESS DOOR	80 - 8
9C14	GEARCASE, ENGINE	121 - 12	7I3	HARDWARE KIT, CAB	90 - 100
10E14	GEARCASE, HORIZONTAL UNLOADING AUGER DRIVE	130 - 61	7H19	HARDWARE KIT, COMPRESSOR (-650200) R-12	90 - 90
9C22	GEARCASE, PRIMARY COUNTERSHAFT (-640100)	121 - 20	7H24	HARDWARE KIT, COMPRESSOR (650201-) R134A.....	90 - 96
9C18	GEARCASE, PRIMARY COUNTERSHAFT (-640100).....	121 - 16	3G7	HARNES CONNECTORS, LOWER, FOR 6076 ENGINE	40 - 100
9C24	GEARCASE, PRIMARY COUNTERSHAFT (640101-)	121 - 22	3G9	HARNES CONNECTORS, UPPER, FOR 6076 ENGINE	40 - 102
9C20	GEARCASE, PRIMARY COUNTERSHAFT (640101-).....	121 - 18	3E13	HARNES FOR 6076 ENGINE (LOWER PARTS).....	40 - 58
4D9	GEARS AND SHAFTS, DIFFERENTIAL.....	50 - 30	3E9	HARNES FOR 6076 ENGINE (UPPER PARTS)	40 - 54
4D11	GEARS AND SHAFTS, DIFFERENTIAL (SIDEHILL).....	50 - 32	3E9	HARNES, FUEL PUMP, ALTERNATOR.....	40 - 54
4D7	GEARS, BEARINGS AND PINION SHAFT, TRANSMISSION	50 - 28	3E19	HARNES, GRAIN TANK WIRING, LIGHT, LIMIT SWITCH AND LEVEL MONITOR	40 - 64
1G1	GEARS, INJ PUMP (HH003) (LATE DESIGN STD. HP ENGINE) (ESN 149284-499999).....	25 - 70	1G3	HARNES, WIRING (HH004) (EARLY DESIGN ENGINE).....	25 - 72
1G3	GEARS, INJECTION PUMP (HH004) (EARLY DESIGN ENGINE).....	25 - 72	2E12	HARNES, WIRING (ROBERT BOSCH) (6076HH032)	30 - 56
1F24	GEARS, INJECTION PUMP (TH001) (EARLY DESIGN STD. HP ENGINE).....	25 - 68	1F24	HARNES, WIRING (TH001) (EARLY DESIGN) (EARLY DESIGN STD. HP ENGINE).....	25 - 68
4D5	GEARS, LUBE PUMP, BEARINGS AND INPUT SHAFT, TRANSMISSION	50 - 26	2E4	HARNES, WIRING (6076HH030, HH032)	30 - 48
4D2	GEARSHIFT LEVER AND LINKAGE	50 - 22	2E18	HARNES, WIRING (6076HH031) (ROBERT BOSCH) (LATE DESIGN F.I.P.)	30 - 62
7F15	GEARSHIFT LEVER AND LINKAGE	90 - 36	2E10	HARNES, WIRING (6076HH032) (EARLY DESIGN)	30 - 54
7E15	GLASS AND DOOR, CAB	90 - 12	2E20	HARNES, WIRING (6076HH035) (ROBERT BOSCH) (LATE DESIGN F.I.P.)	30 - 64
7G16	GLOVEBOX, ARMREST, R.H.	90 - 62	2E14	HARNES, WIRING (6076HH036)	30 - 58
2E16	GOVERNOR, ELECTRONIC INJECTION PUMP (6076HH031) (ND) (EARLY DESIGN F.I.P.)	30 - 60	3E7	HARNES, WIRING AND MONITOR, HARVESTRAK....	40 - 52
8I3	GRAIN LEAK KIT.....	120 - 58	3D3	HARNES, WIRING, A/C, HEATER AND AIRSEAT (660201-)	40 - 22
10D9	GRAIN TANK AND CURTAINS.....	130 - 32	3C17	HARNES, WIRING, ARMREST.....	40 - 12
10D7	GRAIN TANK BASE.....	130 - 30	3C7	HARNES, WIRING, CAB.....	40 - 2
10E11	GRAIN TANK CROSS AUGERS.....	130 - 58	3D24	HARNES, WIRING, MAIN, L.H. AND R.H.REAR.....	40 - 44
3E21	GRAIN TANK DUAL LEVEL MONITOR HARNES AND UNLOADING AUGER LIGHT.....	40 - 66	3D22	HARNES, WIRING, MAIN, L.H. CENTER	40 - 42
10D11	GRAIN TANK EXTENSIONS.....	130 - 34	3D18	HARNES, WIRING, MAIN, L.H. FRONT.....	40 - 38
10C20	GRAIN TANK SAMPLING TROUGH.....	130 - 18	3D20	HARNES, WIRING, MAIN, L.H. FRONT.....	40 - 40
10D5	GRAIN TANK TOP.....	130 - 28	3E1	HARNES, WIRING, R.H. MAIN.....	40 - 46
6F9	GRAIN TANK UNLOADING DRIVE CYLINDER.....	70 - 82	3C21	HARNES, WIRING, STEERING COLUMN (-646236).....	40 - 16
6F9	GRAIN TANK UNLOADING DRIVE CYLINDER MOUNTING	70 - 82	3C23	HARNES, WIRING, STEERING COLUMN (646237-)	40 - 18
3E19	GRAIN TANK WIRING HARNES, LIGHT, LIMIT SWITCH AND LEVEL MONITOR	40 - 64	3C11	HARVESTRAK GAUGE	40 - 6
8G14	GRATE AND RASP BAR CONCAVE	120 - 20	7F13	HARVESTRAK GAUGE	90 - 34
8G16	GRATE AND RASP BAR CONCAVE	120 - 22	3E7	HARVESTRAK MONITOR SYSTEM AND WIRING HARNES	40 - 52
8G13	GRATE CURTAIN, BEATER	120 - 18	1E10	HEAD BOLT KIT (ESN -499999)	25 - 28
8H1	GRATE, FINGER, SPIKE-TOOTH.....	120 - 32			
4D9	GROUND SPEED SENSOR	50 - 30			
4D11	GROUND SPEED SENSOR (SIDEHILL)	50 - 32			
9G13	GUARD AND MOUNTING, STRAW SPREADER	125 - 28			
10E17	GUIDE, UNLOADING AUGER DRIVE BELT	130 - 64			
8E22	GUIDES, TIGHTENER AND FEEDER CONVEYOR DRIVE CHAIN	110 - 70			

ALPHABETICAL INDEX - CONTINUED

GRID		PAGE	GRID		PAGE
2D4	HEAD BOLT KIT (ESN 500000-)	30 - 22	2G15	HOSE, AIR CLEANER (6076, HH032) (645201-)	32 - 14
1E10	HEAD, CYLINDER (ESN -499999)	25 - 28	2G13	HOSE, AIR CLEANER SIDEHILL (-645200)	32 - 12
2D4	HEAD, CYLINDER (ESN 500000-)	30 - 22	6G10	HOSE, CHARGE PRESSURE (640201-)	70 - 108
10F7	HEADER BELTS	170 - 4	6G12	HOSE, CHARGE PRESSURE, SIDEHILL	70 - 110
8F11	HEADER DRIVE SHAFT - SH - (645301-)	110 - 84	1C17	HOSE, CRANKCASE OIL DRAIN	20 - 22
8F13	HEADER DRIVE SHAFT - SH - (645301-)	110 - 86	2G7	HOSE, FUEL TANK	32 - 6
9D1	HEADER ELECTROMAGNETIC CLUTCH	121 - 24	6C13	HOSE, HYDRAULIC, VARIABLE DRIVE, FEEDER HOUSE	70 - 9
10E23	HEADER HEIGHT CONTROL, DIAL-A-MATIC HYDRAULIC LINE AND VALVE BLOCK	160 - 2	9H17	HOSES AND LINES, CHAFF SPREADER (DUAL MOTOR) (650201-)	125 - 56
6D16	HEADER HEIGHT CONTROL, DIAL-A-MATIC, VALVE BLOCK SOLENOID	70 - 37	4G15	HOSES AND LINES, FOUR WHEEL DRIVE HYDRAU LIC, L.H. (655201-)	50 - 112
10E24	HEADER HEIGHT CONTROL, DIAL-A-MATIC, VALVE BLOCK SOLENOID	160 - 3	6E4	HOSES AND LINES, HYDRAULIC PRESSURE	70 - 50
10F1	HEADER HEIGHT CONTROL, ELECTRIC HARNESS, DIAL-A-MATIC	160 - 4	6E6	HOSES AND LINES, HYDRAULIC, CYLINDER SPEED	70 - 52
6D13	HEADER LIFT HYDRAULIC CYLINDER	70 - 34	6D7	HOSES AND LINES, HYDRAULIC, HEADER LIFT	70 - 28
6D14	HEADER LIFT HYDRAULIC CYLINDER	70 - 35	6D9	HOSES AND LINES, HYDRAULIC, HEADER LIFT	70 - 30
6D15	HEADER LIFT HYDRAULIC CYLINDER KIT	70 - 36	6C22	HOSES AND LINES, HYDRAULIC, REEL DRIVE, FRONT	70 - 18
6D7	HEADER LIFT HYDRAULIC LINES AND HOSES	70 - 28	6C8	HOSES AND LINES, HYDRAULIC, REEL DRIVE, L.H. SIDE	70 - 4
6D9	HEADER LIFT HYDRAULIC LINES AND HOSES	70 - 30	6D3	HOSES AND LINES, HYDRAULIC, REEL FORE- AND-AFT, FRONT	70 - 24
6E9	HEADER LIFT MODULE, SOLENOID CONTROL VALVE	70 - 56	6C24	HOSES AND LINES, HYDRAULIC, REEL PUMP	70 - 20
4C23	HEADER LIFT SUPPORT (SIDEHILL)	50 - 18	4G13	HOSES AND LINES, HYDRAULIC, 4-WHEEL DRIVE, L.H. (-655200)	50 - 110
1C11	HEAT EXCHANGER	20 - 16	4G7	HOSES AND LINES, OIL COOLER, HYDROSTATIC (-640200)	50 - 104
1F14	HEAT SHIELD	25 - 58	4G9	HOSES AND LINES, OIL COOLER, HYDROSTATIC (640201-665200)	50 - 106
3D9	HEATER AND AIR CONDITIONER SWITCH	40 - 28	4G11	HOSES AND LINES, OIL COOLER, HYDROSTATIC (665201-)	50 - 108
7F12	HEATER AND AIR CONDITIONING DUCTS	90 - 33	6F23	HOSES AND LINES, OIL COOLER, WET CLUTCH (640201-665200)	70 - 96
7H7	HEATER AND AIR CONDITIONING HOUSING AND FILTERS	90 - 78	4F10	HOSES AND LINES, OIL, HYDROSTATIC DRIVE, LOWER (SIDEHILL RWD) (-655200)	50 - 82
3D1	HEATER AND AIR CONDITONER (-660200) (WIRING HARNESS)	40 - 20	4F12	HOSES AND LINES, OIL, HYDROSTATIC DRIVE, LOWER (SIDEHILL 2WD) (655201-)	50 - 84
1F4	HEATER RETURN ELBOW (EARLY DESIGN) (ESN -499999)	25 - 47	4F20	HOSES AND LINES, OIL, HYDROSTATIC DRIVE, LOWER (SIDEHILL) (-655200)	50 - 92
7I1	HEATER SYSTEM	90 - 98	4F22	HOSES AND LINES, OIL, HYDROSTATIC DRIVE, LOWER (SIDEHILL) (655201-)	50 - 94
3D3	HEATER WIRING HARNESS (660201-)	40 - 22	4F6	HOSES AND LINES, OIL, HYDROSTATIC DRIVE, LOWER (2&4 WHEEL DRIVE)(-655200)	50 - 78
3D1	HEATER WIRING HARNESS (-660200)	40 - 20	4F8	HOSES AND LINES, OIL, HYDROSTATIC DRIVE, LOWER (4 WHEEL DRIVE)(655201-)	50 - 80
7H9	HEATER/AIR CONDITIONING AND PRESSURIZING FAN	90 - 80	4G1	HOSES AND LINES, OIL, HYDROSTATIC DRIVE, LOWER (4 WHEEL DRIVE)(655201-)	50 - 98
1C13	HEATER, COOLANT, ENGINE BLOCK	20 - 18	6H5	HOSES AND LINES, OIL, LEVELING CYLINDER	70 - 128
2D24	HEATER, ENGINE COOLANT	30 - 42	6D1	HOSES AND LINES, REEL LIFT	70 - 22
7G4	HEIGHT ADJUSTER, CAB SEAT	90 - 50	6E1	HOSES AND LINES, RESERVOIR HYDRAULIC UPPER RETURN	70 - 46
4C15	HIGH FLOATATION DRIVE WHEELS	50 - 10	5D7	HOSES AND LINES, STEERING, FRONT	60 - 28
3F13	HOLDDOWN, BATTERIES AND CABLES	40 - 82	5D13	HOSES AND LINES, STEERING, REAR (DUAL CYLINDER)	60 - 34
7G24	HOLDER, CUP	90 - 70	5D15	HOSES AND LINES, STEERING, REAR (DUAL CYLINDER)	60 - 36
7D5	HOOD, REAR	80 - 32	6F7	HOSES AND LINES, UNLOADING AUGER SWING HYDRAULIC CYLINDER	70 - 80
10E5	HORIZONTAL UNLOADING AUGER (14- AND 17-FT.)	130 - 52	5C9	HOSES AND LINES, UPPER, PARKING BRAKE (-640200)	60 - 6
10E7	HORIZONTAL UNLOADING AUGER (17 FT. AND 20 FT.)	130 - 54	6F21	HOSES AND LINES, WET CLUTCH OIL COOLER (-640200)	70 - 94
10E14	HORIZONTAL UNLOADING AUGER DRIVE GEARCASE	130 - 61	6G1	HOSES AND LINES, WET CLUTCH OIL COOLER (665201-)	70 - 98
10E3	HORIZONTAL UNLOADING AUGER HOUSING (EXPORT) (17 AND 20 FT.)	130 - 50			
10D23	HORIZONTAL UNLOADING AUGER HOUSING (14- AND 17-FT.)	130 - 46			
10D24	HORIZONTAL UNLOADING AUGER HOUSING (14- AND 17-FT.)	130 - 47			
10E1	HORIZONTAL UNLOADING AUGER HOUSING (20 FT.)	130 - 48			
10D21	HORIZONTAL UNLOADING AUGER HUB SUPPORT AND SWITCH	130 - 44			
10D17	HORIZONTAL UNLOADING AUGER SWIVEL	130 - 40			
3D18	HORN	40 - 38			
5D3	HORN BUTTON	60 - 24			
7H1	HORN BUTTON	90 - 72			

ALPHABETICAL INDEX - CONTINUED

GRID		PAGE	GRID		PAGE
4G17	HOSES AND LINES, 4-WHEEL DRIVE (FLOW CONTROL VALVE/CAM LOBE MOTORS)	50 - 114	10D24	HOUSING, HORIZONTAL UNLOADING AUGER (14- AND 17-FT.).....	130 - 47
4G19	HOSES AND LINES, 4-WHEEL DRIVE (SH9500) (FLOW CONTROL VALVE/CAM LOBE MOTORS).....	50 - 116	10E1	HOUSING, HORIZONTAL UNLOADING AUGER (20 FT.)	130 - 48
2G19	HOSES AND RADIATOR	32 - 18	2D12	HOUSING, OIL COOLER AND FILTER (ESN 500000-).....	30 - 30
6F9	HOSES, GRAIN TANK UNLOADING DRIVE CYLINDER	70 - 82	1E22	HOUSING, OIL FILTER (EARLY DESIGN) (ESN -499999).....	25 - 40
5D1	HOSES, HYDRAULIC STEERING, UPPER AND ATTENUATOR	60 - 22	5E3	HOUSING, REAR AXLE SPINDLE (FIXED AND ADJUSTABLE REAR AXLE).....	60 - 50
6D11	HOSES, HYDRAULIC, CONTOUR MASTER (L.H.) (OPTIONAL) (660201-)	70 - 32	1E2	HOUSING, REAR OIL SEAL.....	25 - 20
1C11	HOSES, INTERCOOLER.....	20 - 16	2C25	HOUSING, REAR OIL SEAL (6076).....	30 - 18
6G23	HOSES, LEVELING VALVE (645000-650000)	70 - 122	5E4	HOUSING, SPINDLE, ADJUSTABLE REAR AXLE	60 - 51
9H15	HOSES, LINES AND MOTOR, CHAFF SPREADER (BELT TYPE) (-650200)	125 - 54	1H1	HOUSING, STARTER DRIVE (ND) (NO. 028000-3292) (6076)(EARLY DESIGN).....	25 - 97
9I19	HOSES, LUBE, L.H.....	125 - 82	9G3	HOUSING, STRAW CHOPPER (-655100)	125 - 18
9I17	HOSES, LUBE, R.H.	125 - 80	9I5	HOUSING, TAILINGS ELEVATOR	125 - 68
4F14	HOSES, OIL, HYDROSTATIC DRIVE, LOWER (FOUR WHEEL DRIVE) (-655200)	50 - 86	2D18	HOUSING, THERMOSTAT, FRONT (ESN 500000-).....	30 - 36
4F16	HOSES, OIL, HYDROSTATIC DRIVE, LOWER (FOUR WHEEL DRIVE) (655201-).....	50 - 88	1F5	HOUSING, THERMOSTAT, FRONT (EARLY DESIGN ENGINE) (TH001,HH001,HH004)	25 - 48
4F24	HOSES, OIL, HYDROSTATIC DRIVE, LOWER (FOUR WHEEL DRIVE) (655201-).....	50 - 96	1F6	HOUSING, THERMOSTAT, FRONT (HH003) (ESN -499999).....	25 - 49
4F18	HOSES, OIL, HYDROSTATIC DRIVE, LOWER (TWO WHEEL DRIVE) (655201-).....	50 - 90	4C25	HOUSING, TRANSMISSION AND DIFFERENTIAL SHIFTER FORKS	50 - 20
6F20	HOSES, TILT CYLINDER - CONTOUR MASTER	70 - 93	2D25	HOUSING, TURBOCHARGER CENTER (AIRESEARCH)	30 - 43
4G3	HOSES, UPPER, HYDROSTATIC DRIVE (FOUR WHEEL DRIVE)(-655200)	50 - 100	1F13	HOUSING, TURBOCHARGER CENTER (AIRESEARCH) (ESN -499999)	25 - 57
4G5	HOSES, UPPER, HYDROSTATIC DRIVE (FOUR WHEEL DRIVE)(655201-)	50 - 102	2E1	HOUSING, TURBOCHARGER CENTER (SCHWITZER)	30 - 44
9H13	HOSES, VALVE, PUMP AND LINES, CHAFF SPREADER	125 - 52	1F12	HOUSING, TURBOCHARGER CENTER (SCHWITZER) (ESN -499999).....	25 - 56
4D16	HOUSING AND BEARING CAP, FINAL DRIVE (RING AND PINION)	50 - 37	10C14	HOUSING, UPPER CLEAN GRAIN LOADING AUGER	130 - 12
4D17	HOUSING AND BEARING CAP, FINAL DRIVE (RING AND PINION) (SIDEHILL)	50 - 38	10C16	HOUSING, UPPER CLEAN GRAIN LOADING AUGER (660201-)	130 - 14
7F11	HOUSING AND FILTER, AIR, CAB	90 - 32	1F4	HOUSING, WATER PUMP INLET (EARLY DESIGN) (ESN -499999)	25 - 47
9G5	HOUSING AND KNIFEBANK, STRAW CHOPPER (655101-)	125 - 20	10D21	HUB SUPPORT AND SWITCH, HORIZONTAL UNLOADING AUGER	130 - 44
9I13	HOUSING AND PADDLE ASSEMBLY, UPPER TAILINGS AUGER.....	125 - 76	1C10	HUB, ENGINE TRANSMISSION COUPLING	20 - 14
8H9	HOUSING AND SHOE GRAIN SUPPLY AUGERS	120 - 40	5E1	HUB, REAR AXLE SPINDLES	60 - 48
8H11	HOUSING AND SHOE GRAIN SUPPLY AUGERS	120 - 42	6D15	HYDRAULIC CYLINDER KIT, HEADER KIT	70 - 36
2E24	HOUSING CONNECTORS, FUEL INJECTION PUMP (RB)(HH031ORHH035)(LATE DESIGN F.I.P.)	30 - 68	6D13	HYDRAULIC CYLINDER, HEADER LIFT	70 - 34
1G15	HOUSING CONNECTORS, FUEL INJECTION PUMP (ROBERT BOSCH) (6076HH001/HH004).....	25 - 85	6F13	HYDRAULIC CYLINDER, UNLOADING AUGER SWING (650201-656568)	70 - 86
1G8	HOUSING CONNECTORS, FUEL INJECTION PUMP (ROBERT BOSCH) (6076HH004).....	25 - 77	6C21	HYDRAULIC FILTER, MAIN	70 - 17
2E22	HOUSING CONNECTORS, FUEL INJECTION PUMP (6076HH030, HH032, HH034, HH036)	30 - 66	6C13	HYDRAULIC HOSE, VARIABLE DRIVE, FEEDER HOUSE.....	70 - 9
4D4	HOUSING COVER AND SHIFTER CAM TRANSMISSION AND DIFFERENTIAL	50 - 24	6D11	HYDRAULIC HOSES, CONTOUR MASTER (L.H.) (OPTIONAL) (660201-)	70 - 32
7H7	HOUSING, AIR CONDITIONER/HEATER AND FILTERS.....	90 - 78	6E6	HYDRAULIC LINES AND HOSES, CYLINDER SPEED	70 - 52
10D15	HOUSING, CHARGE AND VERTICAL UNLOADING AUGER.....	130 - 38	6D7	HYDRAULIC LINES AND HOSES, HEADER LIFT	70 - 28
2E4	HOUSING, FUEL SHUT-OFF SOLENOID	30 - 48	6D9	HYDRAULIC LINES AND HOSES, HEADER LIFT	70 - 30
2E10	HOUSING, FUEL SHUT-OFF SOLENOID (EARLY DESIGN)	30 - 54	4G15	HYDRAULIC LINES AND HOSES, L.H., FOUR WH EEL DRIVE (655201-).....	50 - 112
7H7	HOUSING, HEATER/AIR CONDITIONING AND FILTERS.....	90 - 78	6C22	HYDRAULIC LINES AND HOSES, REEL DRIVE, FRONT	70 - 18
10E3	HOUSING, HORIZONTAL UNLOADING AUGER (EXPORT) (17 AND 20 FT.)	130 - 50	6C8	HYDRAULIC LINES AND HOSES, REEL DRIVE, L.H. SIDE	70 - 4
10D23	HOUSING, HORIZONTAL UNLOADING AUGER (14- AND 17-FT.).....	130 - 46	6C24	HYDRAULIC LINES AND HOSES, REEL PUMP.....	70 - 20
			4G13	HYDRAULIC LINES AND HOSES, 4-WHEEL DRIVE L.H. (-655200)	50 - 110
			6F13	HYDRAULIC MOUNTING, UNLOADING AUGER SWING (650201-656568)	70 - 86

ALPHABETICAL INDEX - CONTINUED

GRID		PAGE	GRID		PAGE
6F15	HYDRAULIC MOUNTING, UNLOADING AUGER SWING (656569-)	70 - 88	4G9	HYDROSTATIC OIL COOLER LINES AND HOSES (640201-665200)	50 - 106
6E4	HYDRAULIC PRESSURE LINES AND HOSES	70 - 50	4G11	HYDROSTATIC OIL COOLER LINES AND HOSES (665201-)	50 - 108
6F3	HYDRAULIC PUMP, MAIN	70 - 76	4G7	HYDROSTATIC OIL COOLER LINES AND HOSES, (-640200)	50 - 104
4H1	HYDRAULIC PUMP, MAIN CONNECTING HARDWARE HYDROSTATIC DRIVE PUMP	50 - 122	I		
6D23	HYDRAULIC RETURN LINES	70 - 44	10C24	IDLER AND ELEVATOR DRIVE TIGHTENER, CLEAN GRAIN	130 - 22
5D1	HYDRAULIC STEERING HOSES, UPPER AND ATTENUATOR	60 - 22	1B24	IDLER ARMS, ROTARY SCREEN DRIVE (645201-)	20 - 2
6E1	HYDRAULIC UPPER RETURN LINES AND HOSES, RESERVOIR	70 - 46	8E20	IDLER SHAFT, DRUM AND CHAIN, FEEDER CONVEYOR, SIDEHILL	110 - 68
6E3	HYDRAULIC/HYDROSTATIC OIL RESERVOIR AND MOUNTINGS	70 - 48	8E18	IDLER, FEEDER CONVEYOR	110 - 66
4C7	HYDRO HANDLE	50 - 2	1E24	IMPELLER, WATER PUMP (EARLY DESIGN) (ESN -499999)	25 - 42
4E7	HYDROSTATIC DRIVE CHARGE PUMP (RING AND PINION)	50 - 52	2D14	IMPELLER, WATER PUMP (ESN 500000-)	30 - 32
4E8	HYDROSTATIC DRIVE CHARGE PUMP (RING AND PINION)	50 - 53	8H3	INDICATOR, CABLE AND BRACKETS, CONCAVE	120 - 34
4C9	HYDROSTATIC DRIVE CONTROL CABLES (-645200)	50 - 4	1G1	INJ PUMP LUBE LINE (HH003) (LATE DESIGN STD. HP ENGINE) (ESN 149284-499999)	25 - 70
4C11	HYDROSTATIC DRIVE CONTROL CABLES (645201-)	50 - 6	1G3	INJ. PUMP LUBE LINE (HH004) (EARLY DESIGN ENGINE)	25 - 72
4E9	HYDROSTATIC DRIVE DISPLACEMENT CONTROL VALVE (RING AND PINION)	50 - 54	1G11	INJECTION NOZZLE, FUEL (DENSO) (ESN -499999)	25 - 80
4G3	HYDROSTATIC DRIVE HOSES, UPPER (FOUR WHEEL DRIVE)(-655200)	50 - 100	2F5	INJECTION NOZZLE, FUEL (DENSO) (ESN 538146-) (6076HH031, HH035)	30 - 74
4G5	HYDROSTATIC DRIVE HOSES, UPPER (FOUR WHEEL DRIVE)(655201-)	50 - 102	2F7	INJECTION NOZZLE, FUEL (DENSO) (6076HH030, HH032, HH034, OR HH036)	30 - 76
4C7	HYDROSTATIC DRIVE LEVER, CABLE AND SWITCH	50 - 2	1G10	INJECTION NOZZLE, FUEL (RB) (6076TH001 OR HH003) (EARLY DESIGN ENGINE)	25 - 79
4G23	HYDROSTATIC DRIVE MOTOR	50 - 120	2F3	INJECTION NOZZLE, FUEL (ROBERT BOSCH) (6076HH031) (ESN 500000-538145)	30 - 72
4E11	HYDROSTATIC DRIVE MOTOR (RING AND PINION)	50 - 56	2F4	INJECTION NOZZLE, FUEL (STANADYNE) (6076HH031)	30 - 73
4E13	HYDROSTATIC DRIVE MOTOR, KIT (RING AND PINION)	50 - 58	2D2	INJECTION PUMP ACCESS COVER (ESN 500000-)	30 - 20
4F14	HYDROSTATIC DRIVE OIL LINES AND HOSES, LOWER (FOUR WHEEL DRIVE)(-655200)	50 - 86	1E5	INJECTION PUMP ACCESS COVER (TH001,HH001,HH004)(ESN -499999)	25 - 23
4F16	HYDROSTATIC DRIVE OIL LINES AND HOSES, LOWER (FOUR WHEEL DRIVE)(655201-)	50 - 88	1E4	INJECTION PUMP ACCESS COVER (HH003) (EARLY DESIGN)	25 - 22
4F24	HYDROSTATIC DRIVE OIL LINES AND HOSES, LOWER (FOUR WHEEL DRIVE)(655201-)	50 - 96	1E7	INJECTION PUMP DRIVE GEAR (6076HH003)	25 - 25
4F10	HYDROSTATIC DRIVE OIL LINES AND HOSES, LOWER (SIDEHILL 2WD) (-655200)	50 - 82	2E16	INJECTION PUMP ELECTRONIC GOVERNOR (6076HH031) (ND) (EARLY DESIGN F.I.P.)	30 - 60
4F12	HYDROSTATIC DRIVE OIL LINES AND HOSES, LOWER (SIDEHILL 2WD) (655201-)	50 - 84	2E12	INJECTION PUMP GEAR (ROBERT BOSCH) (6076HH032)	30 - 56
4F20	HYDROSTATIC DRIVE OIL LINES AND HOSES, LOWER (SIDEHILL) (-655200)	50 - 92	2E18	INJECTION PUMP GEAR (6076HH031) (ROBERT BOSCH) (LATE DESIGN F.I.P.)	30 - 62
4F22	HYDROSTATIC DRIVE OIL LINES AND HOSES, LOWER (SIDEHILL) (655201-)	50 - 94	2E20	INJECTION PUMP GEAR (6076HH035) (ROBERT BOSCH) (LATE DESIGN F.I.P.)	30 - 64
4F18	HYDROSTATIC DRIVE OIL LINES AND HOSES, LOWER (TWO WHEEL DRIVE)(655201-)	50 - 90	2E14	INJECTION PUMP GEAR (6076HH036)	30 - 58
4F6	HYDROSTATIC DRIVE OIL LINES AND HOSES, LOWER (2&4 WHEEL DRIVE)(-655200)	50 - 78	1G1	INJECTION PUMP GEARS (HH003)(LATE DESIGN STD. HP ENGINE) (ESN 149284-499999)	25 - 70
4F8	HYDROSTATIC DRIVE OIL LINES AND HOSES, LOWER (4 WHEEL DRIVE)(655201-)	50 - 80	1G3	INJECTION PUMP GEARS (HH004) (EARLY DESIGN ENGINE)	25 - 72
4G1	HYDROSTATIC DRIVE OIL LINES AND HOSES, LOWER (4 WHEEL DRIVE)(655201-)	50 - 98	1F24	INJECTION PUMP GEARS (TH001) (EARLY DESIGN STD. HP ENGINE)	25 - 68
4E6	HYDROSTATIC DRIVE PISTON ASSEMBLY (RING AND PINION)	50 - 51	2E4	INJECTION PUMP LUBE LINE (6076 HH032)	30 - 48
4E5	HYDROSTATIC DRIVE PUMP COVER (RING AND PINION)	50 - 50	2E10	INJECTION PUMP LUBE LINE (6076HH032) (EARLY DESIGN)	30 - 54
4E1	HYDROSTATIC DRIVE PUMP, COVER, SHAFT (RING AND PINION)	50 - 46	2E12	INJECTION PUMP LUBE LINE (6076HH032) (ROBERT BOSCH)	30 - 56
4E3	HYDROSTATIC DRIVE PUMP, HOUSING, SERVO CYLINDERS,SWASHPLATE (RING AND PINION)	50 - 48	2E14	INJECTION PUMP LUBE LINE (6076HH036)	30 - 58
4E14	HYDROSTATIC MOTOR VALVE (RING AND PINION)	50 - 59			

ALPHABETICAL INDEX - CONTINUED

GRID	PAGE	GRID	PAGE
1F24	25 - 68	2C11	30 - 4
2E16	30 - 60		K
2E18	30 - 62	5D3	60 - 24
2E20	30 - 64	7H1	90 - 72
1G3	25 - 72	9I21	125 - 84
2E4	30 - 48	2C23	30 - 16
2E10	30 - 54	2C19	30 - 12
2E12	30 - 56	1D21	25 - 14
2E14	30 - 58	2C19	30 - 12
2E18	30 - 62	3D7	40 - 26
2E20	30 - 64	7G8	90 - 54
3E17	40 - 62	7G10	90 - 56
4C21	50 - 16	7G12	90 - 58
4E18	50 - 64	7G14	90 - 60
4D5	50 - 26	7I3	90 - 100
1E10	25 - 28	7H19	90 - 90
2D4	30 - 22	7H24	90 - 96
3C11	40 - 6	6F19	70 - 92
7F13	90 - 34	3G1	40 - 94
3E13	40 - 58	3G3	40 - 96
2D20	30 - 38	8I3	120 - 58
1F7	25 - 50	1E10	25 - 28
2D21	30 - 39	2D4	30 - 22
1F9	25 - 52	6D15	70 - 36
1F7	25 - 50	6H7	70 - 130
2D21	30 - 39	4E13	50 - 58
2D20	30 - 38	8E7	110 - 54
1F7	25 - 50	9I21	125 - 84
8D17	110 - 40	1D23	25 - 16
2G13	32 - 12	2C22	30 - 15
2G13	32 - 12	6C10	70 - 6
1E10	25 - 28	7G1	90 - 46
2D4	30 - 22	1G24	25 - 95
2D9	30 - 27	5D18	60 - 39
1E18	25 - 36	8J1	120 - 80
1C11	20 - 16	8J3	120 - 82
9D15	121 - 38	3G5	40 - 98
9D17	121 - 40	3D5	40 - 24
	J	6F20	70 - 93
1D13	25 - 6	1D10	25 - 3
1D11	25 - 4	2C10	30 - 3
		6F17	70 - 90
		7C3	80 - 6
		7C4	80 - 7

ALPHABETICAL INDEX - CONTINUED

GRID		PAGE	GRID		PAGE
2D16	KIT, WATER PUMP REPAIR (ESN 500000-).....	30 - 34	7F15	LEVER AND LINKAGE, GEARSHIFT	90 - 36
1F1	KIT, WATER PUMP REPAIR (EARLY DESIGN) (ESN -499999).....	25 - 44	1E13	LIFT STRAPS, ENGINE.....	25 - 31
1D21	KITS, EXPANDED ENGINE OVERHAUL (ESN -499999)	25 - 14	2D8	LIFT STRAPS, ENGINE.....	30 - 26
9G3	KNIFEBACK, STRAW CHOPPER (-655100)	125 - 18	4C23	LIFT SUPPORT, HEADER (SIDEHILL)	50 - 18
9G5	KNIFEBANK AND HOUSING, STRAW CHOPPER (655101-)	125 - 20	3C9	LIGHT SWITCH, OVERHEAD CONSOLE PANEL	40 - 4
9G1	KNIFEBANK AND STRAW CHOPPER HOUSING (-655100)	125 - 16	3F11	LIGHT SWITCH, SHOE ADJUSTING	40 - 80
9H9	KNOB, CONTROL, CHECK VALVE AND ROD CHAFF SPREADER	125 - 48	3C6	LIGHT, CAB DOME	40 - 1
L			3E19	LIGHT, LIMIT SWITCH, LEVEL MONITOR AND GRAIN TANK WIRING HARNESS	40 - 64
10E9	L.H. CROSS AUGER BEARING PLATE.....	130 - 56	3E21	LIGHT, UNLOADING AUGER AND GRAIN TANK DUAL LEVEL MONITOR HARNESS	40 - 66
7D15	L.H. SERVICE ACCESS SHIELD	80 - 42	3C15	LIGHTING, AUXILIARY, FIELD	40 - 10
5D9	L.H. STEERING LINES	60 - 30	3C13	LIGHTS, CAB ROOF	40 - 8
7D3	LADDER AND EXTENSION, REAR	80 - 30	3G21	LIGHTS, FIELD (660201-)	40 - 114
7C21	LADDER AND LANDING, REAR.....	80 - 24	3C14	LIGHTS, FRONT AND REAR, TURN AND TAIL	40 - 9
7E23	LADDER AND LATCH, OPERATOR'S PLATFORM	90 - 20	3F12	LIGHTS, SIDE FINDER (L.H. AND R.H.)	40 - 81
7F1	LADDER AND LATCH, OPERATOR'S PLATFORM	90 - 22	3G19	LIGHTS, TRANSPORT WARNING	40 - 112
3G22	LAMP ASSEMBLY, REAR - L.H. SIDE.....	40 - 115	3E19	LIMIT SWITCH, LEVEL MONITOR, GRAIN TANK WIRING HARNESS AND LIGHT	40 - 64
7C21	LANDING AND LADDER, REAR.....	80 - 24	3G23	LIMIT SWITCH, SIDEHILL LEVELING	40 - 116
7F7	LANDING AND MIRROR, CAB, L.H. (650201-)	90 - 28	1C17	LINE, CRANKCASE OIL DRAIN	20 - 22
7F9	LANDING AND MIRROR, CAB, R.H.	90 - 30	2E16	LINE, FUEL LEAK-OFF (6076HH031) (DENSO) (EARLY DESIGN F.I.P.)	30 - 60
7E23	LATCH AND LADDER, OPERATOR'S PLATFORM	90 - 20	1G1	LINE, INJ PUMP LUBE (HH003) (LATE DESIGN STD. HP ENGINE) (ESN 149284-499999).....	25 - 70
7F1	LATCH AND LADDER, OPERATOR'S PLATFORM	90 - 22	1G3	LINE, INJ. PUMP LUBE (HH004) (EARLY DESIGN ENGINE).....	25 - 72
7C23	LATCH ARM, REAR LADDER LANDING (-640200)	80 - 26	2E4	LINE, INJECTION PUMP LUBE (6076 HH032)	30 - 48
7D1	LATCH ARM, REAR LADDER LANDING (640201-)	80 - 28	2E10	LINE, INJECTION PUMP LUBE (6076HH032) (EARLY DESIGN).....	30 - 54
8D1	LATCH HANDLE, FEED PLATE	110 - 24	2E12	LINE, INJECTION PUMP LUBE (6076HH032) (ROBERT BOSCH).....	30 - 56
7E13	LATCH, CAB DOOR	90 - 10	2E14	LINE, INJECTION PUMP LUBE (6076HH036)	30 - 58
10D13	LATCH, GRAIN TANK CLEAN OUT CHUTE	130 - 36	1F24	LINE, INJECTION PUMP LUBE (TH001) (EARLY DESIGN STD. HP ENGINE).....	25 - 68
8H8	LATCHES, HANDLE, SHOE GRAIN SUPPLY AUGER CLEANOUT DOOR	120 - 39	2E16	LINE, INJECTION PUMP LUBE (6076HH031) (DENSO) (EARLY DESIGN F.I.P.)	30 - 60
8H13	LEAF SCREENS, CLEANING FAN (CORN) (660999-)	120 - 44	2E18	LINE, INJECTION PUMP LUBE (6076HH031) (RB) (LATE DESIGN F.I.P.)	30 - 62
8I3	LEAK KIT, GRAIN	120 - 58	2E20	LINE, INJECTION PUMP LUBE (6076HH035) (RB) (LATE DESIGN F.I.P.)	30 - 64
7G22	LEFT-HAND ARMREST	90 - 68	4D16	LINE, OIL - FINAL DRIVE HOUSING	50 - 37
10G9	LEFT-HAND DECALS	170 - 30	4D17	LINE, OIL - FINAL DRIVE HOUSING (SH)	50 - 38
3E19	LEVEL MONITOR, GRAIN TANK WIRING HARNESS LIGHT AND LIMIT SWITCH	40 - 64	4H3	LINE, RETURN TO RESERVOIR	50 - 124
3H3	LEVEL SENSING CONTROL BOX	40 - 120	4H5	LINE, RETURN TO RESERVOIR	50 - 126
8D9	LEVELING CABLES, SHEAVES AND BRACKETS	110 - 32	1D23	LINER O-RINGS.....	25 - 16
8D7	LEVELING CABLES, SHEAVES AND BRACKETS SIDEHILL	110 - 30	2C22	LINER O-RINGS (6076).....	30 - 15
6G14	LEVELING CYLINDER.....	70 - 112	1D23	LINER SHIM	25 - 16
6G15	LEVELING CYLINDER.....	70 - 113	2C22	LINER SHIM (6076)	30 - 15
6H5	LEVELING CYLINDER HOSES AND OIL LINES.....	70 - 128	1D23	LINERS, CYLINDER	25 - 16
6H3	LEVELING CYLINDER LOWER OIL LINES	70 - 126	2C22	LINERS, CYLINDER (6076).....	30 - 15
6G16	LEVELING CYLINDER MOUNTING BRACKETS.....	70 - 114	9H11	LINES AND FITTINGS, CHAFF SPREADER	125 - 50
6G16	LEVELING CYLINDER MOUNTING BRACKETS AND PINS	70 - 114	9H17	LINES AND HOSES, CHAFF SPREADER (DUAL MOTOR) (650201-)	125 - 56
6G16	LEVELING CYLINDER PINS.....	70 - 114	4G15	LINES AND HOSES, FOUR WHEEL DRIVE HYDRAU LIC, L.H. (655201-)	50 - 112
6H1	LEVELING CYLINDER UPPER OIL LINES	70 - 124	6E4	LINES AND HOSES, HYDRAULIC PRESSURE	70 - 50
6G21	LEVELING SOLENOID VALVE AND FLOW DIVIDER....	70 - 120	6E6	LINES AND HOSES, HYDRAULIC, CYLINDER SPEED	70 - 52
6G21	LEVELING SYSTEM FLOW DIVIDER	70 - 120	6D7	LINES AND HOSES, HYDRAULIC, HEADER LIFT	70 - 28
6G18	LEVELING VALVE	70 - 116	6D9	LINES AND HOSES, HYDRAULIC, HEADER LIFT	70 - 30
6G23	LEVELING VALVE OIL LINES AND HOSES (645000-650000)	70 - 122	6C22	LINES AND HOSES, HYDRAULIC, REEL DRIVE, FRONT	70 - 18
4D2	LEVER AND LINKAGE, GEARSHIFT	50 - 22			

ALPHABETICAL INDEX - CONTINUED

GRID	PAGE	GRID	PAGE		
6C8	LINES AND HOSES, HYDRAULIC, REEL DRIVE, L.H. SIDE.....	70 - 4	2E14	LINES, FUEL LEAK-OFF (6076HH036)	30 - 58
6D3	LINES AND HOSES, HYDRAULIC, REEL FORE- AND-AFT, FRONT	70 - 24	1F18	LINES, FUEL LEAK-OFF (HH001, HH004) (EARLY DESIGN ENG)(ESN 165439-499999).....	25 - 62
6C24	LINES AND HOSES, HYDRAULIC, REEL PUMP	70 - 20	1F16	LINES, FUEL LEAK-OFF (HH001, HH004) (EARLY DESIGN ENGINE) (ESN -165438)	25 - 60
4G13	LINES AND HOSES, HYDRAULIC, 4-WHEEL DRIVE, L.H.(-655200).....	50 - 110	1F22	LINES, FUEL LEAK-OFF (HH003) (ESN 165439-499999)	25 - 66
4G7	LINES AND HOSES, OIL COOLER, HYDROSTATIC (-640200)	50 - 104	2E8	LINES, FUEL LEAK-OFF (HH030, HH032, HH034, HH036)	30 - 52
4G9	LINES AND HOSES, OIL COOLER, HYDROSTATIC (640201-665200)	50 - 106	2E12	LINES, FUEL LEAK-OFF (ROBERT BOSCH) (6076HH032)	30 - 56
4G11	LINES AND HOSES, OIL COOLER, HYDROSTATIC (665201-)	50 - 108	1F20	LINES, FUEL LEAK-OFF (TH001, HH003) (EARLY DESIGN ENG)(ESN -165438)	25 - 64
6F23	LINES AND HOSES, OIL COOLER, WET CLUTCH (640201-665200)	70 - 96	2E4	LINES, FUEL LEAK-OFF (6076 HH032).....	30 - 48
4F10	LINES AND HOSES, OIL, HYDROSTATIC DRIVE, LOWER (SIDEHILL 2WD) (-655200).....	50 - 82	2E18	LINES, FUEL LEAK-OFF (6076HH031) (ROBERT BOSCH) (LATE DESIGN F.I.P.)	30 - 62
4F12	LINES AND HOSES, OIL, HYDROSTATIC DRIVE, LOWER (SIDEHILL 2WD) (655201-)	50 - 84	2E6	LINES, FUEL LEAK-OFF (6076HH031, HH035)	30 - 50
4F20	LINES AND HOSES, OIL, HYDROSTATIC DRIVE, LOWER (SIDEHILL) (-655200).....	50 - 92	2E10	LINES, FUEL LEAK-OFF (6076HH032) (EARLY DESIGN)	30 - 54
4F22	LINES AND HOSES, OIL, HYDROSTATIC DRIVE, LOWER (SIDEHILL) (655201-).....	50 - 94	2E20	LINES, FUEL LEAK-OFF (6076HH035) (ROBERT BOSCH) (LATE DESIGN F.I.P.)	30 - 64
4F6	LINES AND HOSES, OIL, HYDROSTATIC DRIVE, LOWER (2&4 WHEEL DRIVE)(-655200)	50 - 78	9H13	LINES, HOSES, VALVE AND PUMP, CHAFF SPREADER	125 - 52
4F8	LINES AND HOSES, OIL, HYDROSTATIC DRIVE, LOWER (4 WHEEL DRIVE)(655201-)	50 - 80	6D5	LINES, HYDRAULIC, REEL FORE-AND-AFT, L.H. SIDE	70 - 26
4G1	LINES AND HOSES, OIL, HYDROSTATIC DRIVE, LOWER (4 WHEEL DRIVE)(655201-)	50 - 98	4H7	LINES, HYDRAULIC, 4-WHEEL DRIVE CASE DRAIN	50 - 128
6H5	LINES AND HOSES, OIL, LEVELING CYLINDER.....	70 - 128	5C7	LINES, LOWER, PARKING BRAKE (-640200)	60 - 4
6D1	LINES AND HOSES, REEL LIFT	70 - 22	9H15	LINES, MOTOR AND HOSES, CHAFF SPREADER (BELT TYPE) (-650200)	125 - 54
6E1	LINES AND HOSES, RESERVOIR HYDRAULIC UPPER RETURN.....	70 - 46	5C15	LINES, OIL - BRAKE	60 - 12
5D7	LINES AND HOSES, STEERING, FRONT	60 - 28	4F14	LINES, OIL, HYDROSTATIC DRIVE, LOWER (FOUR WHEEL DRIVE) (-655200)	50 - 86
5D13	LINES AND HOSES, STEERING, REAR (DUAL CYLINDER)	60 - 34	4F16	LINES, OIL, HYDROSTATIC DRIVE, LOWER (FOUR WHEEL DRIVE) (655201-).....	50 - 88
5D15	LINES AND HOSES, STEERING, REAR (DUAL CYLINDER)	60 - 36	4F24	LINES, OIL, HYDROSTATIC DRIVE, LOWER (FOUR WHEEL DRIVE) (655201-).....	50 - 96
6F7	LINES AND HOSES, UNLOADING AUGER SWING HYDRAULIC CYLINDER.....	70 - 80	4F18	LINES, OIL, HYDROSTATIC DRIVE, LOWER (TWO WHEEL DRIVE) (655201-).....	50 - 90
5C9	LINES AND HOSES, UPPER, PARKING BRAKE (-640200)	60 - 6	6D23	LINES, RETURN, HYDRAULIC	70 - 44
6F21	LINES AND HOSES, WET CLUTCH OIL COOLER (-640200)	70 - 94	5D9	LINES, STEERING, L.H.	60 - 30
6G1	LINES AND HOSES, WET CLUTCH OIL COOLER (665201-)	70 - 98	5D11	LINES, STEERING, R.H.	60 - 32
4G17	LINES AND HOSES, 4-WHEEL DRIVE (FLOW CONTROL VALVE/CAM LOBE MOTORS)	50 - 114	2G7	LINES, TANK FUEL	32 - 6
4G19	LINES AND HOSES, 4-WHEEL DRIVE (SH9500) (FLOW CONTROL VALVE/CAM LOBE MOTORS.....	50 - 116	2D22	LINES, TURBOCHARGER OIL (ESN 500000-).....	30 - 40
2F9	LINES, FUEL FILTER (ESN 500000-) (HH030, HH032, HH034, HH036).....	30 - 78	1F10	LINES, TURBOCHARGER OIL (EARLY DESIGN) (ESN -499999).....	25 - 54
2F11	LINES, FUEL FILTER (HH031 OR HH035)	30 - 80	4D2	LINKAGE AND LEVER, GEARSHIFT	50 - 22
1G13	LINES, FUEL FILTER (6076) (ESN -499999).....	25 - 82	7F15	LINKAGE AND LEVER, GEARSHIFT	90 - 36
1F16	LINES, FUEL INJECTION (HH001, HH004) (EARLY DESIGN ENGINE) (ESN -165438)	25 - 60	9E15	LINKAGE, SHEAVE, FAN DRIVE SPEED CONTROL....	121 - 62
1F18	LINES, FUEL INJECTION (HH001, HH004) (EARLY DESIGN ENG)(ESN 165439-499999).....	25 - 62	9E9	LINKAGE, SPEED CONTROL, FAN DRIVE (-640300)	121 - 56
1F22	LINES, FUEL INJECTION (HH003) (ESN 165439-499999)	25 - 66	9E11	LINKAGE, SPEED CONTROL, FAN DRIVE (640301-655300)	121 - 58
2E8	LINES, FUEL INJECTION (HH030, HH032, HH034, HH036)	30 - 52	9E13	LINKAGE, SPEED CONTROL, FAN DRIVE (655301-).....	121 - 60
1F20	LINES, FUEL INJECTION (TH001, HH003) (EARLY DESIGN ENG)(ESN -165438)	25 - 64	10C14	LOADING AUGER HOUSING, UPPER CLEAN GRAIN	130 - 12
2E6	LINES, FUEL INJECTION (6076HH031, HHO35)	30 - 50	10C16	LOADING AUGER HOUSING, UPPER CLEAN GRAIN (660201-)	130 - 14
			10C18	LOADING AUGER, CLEAN GRAIN	130 - 16
			10C17	LOADING AUGER, CLEAN GRAIN, FOLD (660201-)	130 - 15
			8E7	LOCKOUT ADAPTER KIT - CONTOUR MASTER (BELT PU & 4R CORN HEADS)(660201-)	110 - 54
			9D11	LOCKOUT ARM, DUAL-RANGE	121 - 34

ALPHABETICAL INDEX - CONTINUED

GRID		PAGE	GRID		PAGE
8C18	LOCKOUT ASSEMBLY - CONTOUR MASTER (OPTIONAL) (660201-)	110 - 16	6G19	MAIN VALVE BLOCK SOLENOID	70 - 117
3D22	LOGIC MODULE	40 - 42	3D24	MAIN WIRING HARNESS, L.H. AND R.H. REAR	40 - 44
2C13	LONGBLOCK, "COMPLETE BLOCK ASSEMBLY" (ESN 500000-)	30 - 6	3D18	MAIN WIRING HARNESS, L.H. FRONT	40 - 38
3E16	LOW SHAFT SPEED SENSORS AND BRACKETS	40 - 61	3D20	MAIN WIRING HARNESS, L.H. FRONT	40 - 40
10C4	LOWER AUGER AND HINGED DOOR, CLEAN GRAIN	130 - 2	3D22	MAIN WIRING HARNESS, L.H. CENTER	40 - 42
10C6	LOWER ELEVATOR AND CONVEYOR CHAIN, CLEAN GRAIN	130 - 4	4G13	MAINFOLD, 4WD HYDRAULIC LINES & HOSES	50 - 110
10C8	LOWER ELEVATOR AND CONVEYOR CHAIN, CLEAN GRAIN	130 - 6	4H7	MAINIFOLD, 4WD DRIVE CASE DRAIN HYD. LINES	50 - 128
4F14	LOWER HYDROSTATIC DRIVE OIL LINES AND HOSES (FOUR WHEEL DRIVE)(-655200)	50 - 86	4G15	MAINIFOLD, 4WD HYDRUALIC LINES & HOSES	50 - 112
4F24	LOWER HYDROSTATIC DRIVE OIL LINES AND HOSES (FOUR WHEEL DRIVE)(65201-)	50 - 96	4E20	MANIFOLD AND PACKING	50 - 66
4F16	LOWER HYDROSTATIC DRIVE OIL LINES AND HOSES (FOUR WHEEL DRIVE)(655201-)	50 - 88	7H22	MANIFOLD, A/C COMPRESSOR (650201-) R134A	90 - 94
4F10	LOWER HYDROSTATIC DRIVE OIL LINES AND HOSES (SIDEHILL 2WD) (-655200)	50 - 82	1F14	MANIFOLD, EXHAUST	25 - 58
4F12	LOWER HYDROSTATIC DRIVE OIL LINES AND HOSES (SIDEHILL 2WD) (655201-)	50 - 84	2E2	MANIFOLD, EXHAUST	30 - 45
4F20	LOWER HYDROSTATIC DRIVE OIL LINES AND HOSES (SIDEHILL) (-655200)	50 - 92	2D20	MANIFOLD, INTAKE (EARLY DESIGN)	30 - 38
4F22	LOWER HYDROSTATIC DRIVE OIL LINES AND HOSES (SIDEHILL) (655201-)	50 - 94	1F7	MANIFOLD, INTAKE (ESN -499999)	25 - 50
4F18	LOWER HYDROSTATIC DRIVE OIL LINES AND HOSES (TWO WHEEL DRIVE)(655201-)	50 - 90	2D21	MANIFOLD, INTAKE (LATE DESIGN)	30 - 39
4F6	LOWER HYDROSTATIC DRIVE OIL LINES AND HOSES (2&4 WHEEL DRIVE)(-655200)	50 - 78	1F9	MANIFOLD, INTAKE ADAPTER (ESN 147639-165935)	25 - 52
4F8	LOWER HYDROSTATIC DRIVE OIL LINES AND HOSES (4 WHEEL DRIVE)(655201-)	50 - 80	1F5	MANIFOLD, WATER, FRONT (EARLY DESIGN ENGINE) (TH001,HH001,HH004)	25 - 48
4G1	LOWER HYDROSTATIC DRIVE OIL LINES AND HOSES (4 WHEEL DRIVE)(655201-)	50 - 98	2D18	MANIFOLD, WATER, FRONT (ESN 500000-)	30 - 36
10E18	LOWER LUBE BANK, UNLOADING AUGER	130 - 66	1F6	MANIFOLD, WATER, FRONT (HH003) (ESN -499999)	25 - 49
3E13	LOWER PARTS, HARNESS 6076 ENGINE	40 - 58	5C17	MASTER CYLINDER, BRAKE	60 - 14
8F1	LOWER SHAFT SPROCKET, FEEDER HOUSE (SIDEHILL)	110 - 74	5C15	MASTER CYLINDER, RESERVOIR AND BRAKE LINES	60 - 12
5D5	LOWER STEERING COLUMN	60 - 26	5C13	MASTER CYLINDERS AND BRAKE PEDALS	60 - 10
7H3	LOWER STEERING COLUMN	90 - 74	9I21	METRIC KEY STOCK KIT	125 - 84
7H5	LOWER STEERING COLUMN	90 - 76	7F7	MIRROR AND LANDING, CAB, L.H. (650201-)	90 - 28
10F8	LOWER TAILINGS AUGER BELT	170 - 5	7F9	MIRROR AND LANDING, CAB, R.H.	90 - 30
9I9	LOWER TAILINGS AUGER CHAIN TIGHTENER	125 - 72	3F21	MODULE, CENTRAL ELECTRONICS AND CIRCUIT BOARDS	40 - 90
9I11	LOWER TAILINGS AUGER DRIVE TIGHTENER	125 - 74	3D22	MODULE, LOGIC	40 - 42
9I3	LOWER TAILINGS AUGER TROUGH	125 - 66	6E8	MODULE, RELIEF VALVE, SOLENOID CONTROL	70 - 54
9I1	LOWER TAILINGS AUGER, SHAFT AND TIGHTENER	125 - 64	6F1	MODULE, SIX STACK SOLENOID CONTROL VALVE ASSEMBLY & MOUNTINGS (660201-)	70 - 74
9I8	LOWER TROUGH SUPPORT AND TAILINGS DRIVE BRACKET	125 - 71	3E7	MONITOR SYSTEM AND WIRING HARNESS, HARVESTRAK	40 - 52
10E18	LUBE BANK, UNLOADING AUGER LOWER	130 - 66	4E14	MOTOR VALVE, HYDROSTATIC (RING AND PINION)	50 - 59
10E20	LUBE BANK, UNLOADING AUGER UPPER	130 - 68	3D7	MOTOR, A/C PRESSURIZER FAN	40 - 26
9I19	LUBE HOSES, L.H.	125 - 82	3F9	MOTOR, ADJUSTING, CONCAVE	40 - 78
9I17	LUBE HOSES, R.H.	125 - 80	3E23	MOTOR, ADJUSTING, SEPARATOR FAN DRIVE	40 - 68
6C14	LUBE OIL PUMP, FEEDER HOUSE OIL COOLER	70 - 10	4E15	MOTOR, CAM LOBE	50 - 61
4D5	LUBE PUMP, BEARINGS, INPUT SHAFT AND GEARS, TRANSMISSION	50 - 26	6C12	MOTOR, CHAFF SPREADER (EATON) (655929-)	70 - 8
	M		3D3	MOTOR, EVAPORATOR/HEATER, PRESSURIZER	40 - 22
1H3	MAGNETIC PICK-UP (EARLY DESIGN)	25 - 99	9H15	MOTOR, HOSES AND LINES, CHAFF SPREADER (BELT TYPE) (-650200)	125 - 54
2F21	MAGNETIC PICK-UP (ESN 500000-)	30 - 90	4G23	MOTOR, HYDROSTATIC DRIVE	50 - 120
1D13	MAIN BEARING CAPS	25 - 6	4E11	MOTOR, HYDROSTATIC DRIVE (RING AND PINION)	50 - 56
2C11	MAIN BEARING CAPS (ESN 500000-)	30 - 4	3D1	MOTOR, PRESSURIZER, AC/HEATER	40 - 20
1E1	MAIN BEARINGS	25 - 19	3G11	MOTOR, REEL SPEED AND BRACKET	40 - 104
2C24	MAIN BEARINGS (6076)	30 - 17	2F16	MOTOR, STARTING (DENSO) (12V F4)	30 - 85
1G25	MAIN FRAME, STARTER (ND) (NO. 028000-3292) (6076)(EARLY DESIGN)	25 - 96	2F20	MOTOR, STARTING (ND) (NO. 028000-3292) (EARLY DESIGN)	30 - 89
			1G19	MOTOR, STARTING (ND) (NO. 028000-3292) (ESN -136850)	25 - 89
			1G20	MOTOR, STARTING (ND) (12V F4) (ESN 136851-499999)	25 - 90
			3D10	MOTOR, WINDSHIELD WIPER (LONG)	40 - 30
			3D12	MOTOR, WIPER (SHORT)	40 - 32

ALPHABETICAL INDEX - CONTINUED

GRID		PAGE	GRID		PAGE
3F3	MOTOROLA-PRESTOLITE, ALTERNATOR SHEAVE AND BELT (-637627).....	40 - 72	1F16	NOZZLES, FUEL INJECTION (HH001, HH004) (EARLY DESIGN ENGINE) (ESN -165438)	25 - 60
3F1	MOTOROLA-PRESTOLITE, ALTERNATOR VOLTAGE REGULATOR (90 AMP) (-645145).....	40 - 70	1F22	NOZZLES, FUEL INJECTION (HH003) (ESN 165439-499999).....	25 - 66
6F11	MOUNTING AND CYLINDER, UNLOADING AUGER SWING (-650200)	70 - 84	2E8	NOZZLES, FUEL INJECTION (HH030, HH032, HH034, HH036)	30 - 52
6D19	MOUNTING AND DUAL ACCUMULATOR (-655200) ONE-HALF GALLON	70 - 40	1F20	NOZZLES, FUEL INJECTION (TH001, HH003) (EARLY DESIGN ENG)(ESN -165438)	25 - 64
9G13	MOUNTING AND GUARD, STRAW SPREADER	125 - 28	2E6	NOZZLES, FUEL INJECTION (6076HH031, HH035)	30 - 50
6G16	MOUNTING BRACKETS, LEVELING CYLINDER	70 - 114			
9H7	MOUNTING SUPPORT, CHAFF SPREADER	125 - 46		O	
9H8	MOUNTING SUPPORT, CHAFF SPREADER (SIDEHILL).....	125 - 47	6H7	O-RING KIT, FLAT, HYDRAULIC	70 - 130
3F19	MOUNTING SUPPORT, ELECTRONIC CONTROL UNIT.....	40 - 88	6H7	O-RINGS, HYDRAULIC, FLAT	70 - 130
3F7	MOUNTING, ALTERNATOR	40 - 76	1D23	O-RINGS, LINER	25 - 16
6G20	MOUNTING, FLOW DIVIDER	70 - 118	2C22	O-RINGS, LINER (6076)	30 - 15
6F9	MOUNTING, GRAIN TANK UNLOADING DRIVE CYLINDER	70 - 82	6G3	OIL COOLER AND AIR CONDITIONING CONDENSER	70 - 100
6D21	MOUNTING, ONE GALLON ACCUMULATOR (655201-)	70 - 42	1E20	OIL COOLER BYPASS VALVE (ESN -156313).....	25 - 38
6D17	MOUNTING, ONE-HALF GALLON ACCUMULATOR (SINGLE)	70 - 38	1E21	OIL COOLER BYPASS VALVE (ESN 156314-499999).....	25 - 39
6F13	MOUNTING, UNLOADING AUGER SWING HYDRAULIC (650201-656568)	70 - 86	2D12	OIL COOLER GASKET (ESN 500000-)	30 - 30
6F15	MOUNTING, UNLOADING AUGER SWING HYDRAULIC (656569-)	70 - 88	4G7	OIL COOLER LINES AND HOSES, HYDROSTATIC (-640200)	50 - 104
6E3	MOUNTINGS AND OIL RESERVOIR, HYDRAULIC/HYDROSTATIC	70 - 48	4G9	OIL COOLER LINES AND HOSES, HYDROSTATIC (640201-665200)	50 - 106
8D19	MOUNTINGS AND SHEAVE, FRONT VARIABLE DRIVE	110 - 42	4G11	OIL COOLER LINES AND HOSES, HYDROSTATIC (665201-)	50 - 108
8F5	MOUNTINGS, SHEAVE AND UPPER DRIVE SHAFT (FIXED SPEED WITH REVERSER).....	110 - 78	6F21	OIL COOLER LINES AND HOSES, WET CLUTCH (-640200)	70 - 94
6F1	MOUNTINGS, SIX STACK SOLENOID CONTROL VALVE (660201-)	70 - 74	6F23	OIL COOLER LINES AND HOSES, WET CLUTCH (640201-665200)	70 - 96
6E22	MOUNTINGS, SOLENOID CONTROL VALVE MODULE ASSEMBLY	70 - 70	6G1	OIL COOLER LINES AND HOSES, WET CLUTCH (665201-)	70 - 98
1C8	MOUNTS, ENGINE, 6076 (640201-655551)	20 - 12	1F3	OIL COOLER, ENGINE (EARLY DESIGN) (ESN -499999).....	25 - 46
1C9	MOUNTS, ENGINE, 6076 (655552-)	20 - 13	6C16	OIL COOLER, FEEDER HOUSE	70 - 12
7D9	MUD AND FAN DRIVE SHIELDS (L.H.).....	80 - 36	1C17	OIL DRAIN, ENGINE CRANKCASE	20 - 22
4G22	MUD SHIELDS (POWERED REAR WHEELS)	50 - 119	1E4	OIL FILLER CAP (HH003) (EARLY DESIGN)	25 - 22
7D23	MUD SHIELDS (R.H. SIDE)	80 - 50	1E5	OIL FILLER CAP (TH001, HH001, HH004) (ESN -499999)	25 - 23
2G17	MUFFLER AND EXHAUST PIPE	32 - 16	6G5	OIL FILTER ASSEMBLY, ENGINE GEARCASE	70 - 102
			2D12	OIL FILTER BYPASS VALVE (ESN 500000-).....	30 - 30
	N		1E22	OIL FILTER BYPASS VALVE (EARLY DESIGN) (ESN -499999).....	25 - 40
7C3	NO. 1 UPRIGHT REINFORCEMENT KIT.....	80 - 6	1E22	OIL FILTER HOUSING (EARLY DESIGN) (ESN -499999).....	25 - 40
7C4	NO. 5 UPRIGHT REINFORCEMENT KIT.....	80 - 7	2D12	OIL FILTER HOUSING GASKET (ESN 500000-).....	30 - 30
1G11	NOZZLE, FUEL INJECTION (DENSO) (ESN -499999).....	25 - 80	1E22	OIL FILTER, ENGINE (EARLY DESIGN) (ESN -499999).....	25 - 40
2F5	NOZZLE, FUEL INJECTION (DENSO) (ESN 538146-) (6076HH031, HH035).....	30 - 74	2D12	OIL FILTER, ENGINE (ESN 500000-)	30 - 30
2F7	NOZZLE, FUEL INJECTION (DENSO) (6076HH030, HH032, HH034, OR HH036)	30 - 76	4F14	OIL HOSES, HYDROSTATIC DRIVE, LOWER (FOUR WHEEL DRIVE) (-655200)	50 - 86
1G10	NOZZLE, FUEL INJECTION (RB) (6076TH001 OR HH003) (EARLY DESIGN ENGINE)	25 - 79	4F16	OIL HOSES, HYDROSTATIC DRIVE, LOWER (FOUR WHEEL DRIVE) (655201-).....	50 - 88
2F3	NOZZLE, FUEL INJECTION (ROBERT BOSCH) (6076HH031) (ESN 500000-538145)	30 - 72	4F24	OIL HOSES, HYDROSTATIC DRIVE, LOWER (FOUR WHEEL DRIVE) (655201-).....	50 - 96
2F4	NOZZLE, FUEL INJECTION (STANADYNE) (6076HH031)	30 - 73	4F18	OIL HOSES, HYDROSTATIC DRIVE, LOWER (TWO WHEEL DRIVE) (655201-).....	50 - 90
1F18	NOZZLES, FUEL INJECTION (HH001, HH004) (EARLY DESIGN ENG)(ESN 165439-499999).....	25 - 62	4D16	OIL LINE, FINAL DRIVE HOUSING	50 - 37
			4D17	OIL LINE, FINAL DRIVE HOUSING (SH).....	50 - 38

ALPHABETICAL INDEX - CONTINUED

GRID		PAGE	GRID		PAGE
4F10	OIL LINES AND HOSES, HYDROSTATIC DRIVE, LOWER (SIDEHILL 2WD) (-655200)	50 - 82	7H22	OIL, A/C COMPRESSOR (650201-) R134A	90 - 94
4F12	OIL LINES AND HOSES, HYDROSTATIC DRIVE, LOWER (SIDEHILL 2WD) (655201-)	50 - 84	6D21	ONE GALLON ACCUMULATOR AND MOUNTING (655201-)	70 - 42
4F20	OIL LINES AND HOSES, HYDROSTATIC DRIVE, LOWER (SIDEHILL) (-655200)	50 - 92	7E17	OPERATOR'S CAB FRAME AND SUPPORT	90 - 14
4F22	OIL LINES AND HOSES, HYDROSTATIC DRIVE, LOWER (SIDEHILL) (655201-)	50 - 94	7E21	OPERATOR'S PIVOTING PLATFORM AND HANDRAILS	90 - 18
4F6	OIL LINES AND HOSES, HYDROSTATIC DRIVE, LOWER (2&4 WHEEL DRIVE)(-655200)	50 - 78	7E23	OPERATOR'S PLATFORM LADDER AND LATCH	90 - 20
4F8	OIL LINES AND HOSES, HYDROSTATIC DRIVE, LOWER (4 WHEEL DRIVE)(655201-)	50 - 80	7F1	OPERATOR'S PLATFORM LADDER AND LATCH	90 - 22
4G1	OIL LINES AND HOSES, HYDROSTATIC DRIVE, LOWER (4 WHEEL DRIVE)(655201-)	50 - 98	7F21	OPERATOR'S SEAT AND BACKREST	90 - 42
6H5	OIL LINES AND HOSES, LEVELING CYLINDER	70 - 128	7G4	OPERATOR'S SEAT HEIGHT ADJUSTER	90 - 50
4F14	OIL LINES HYDROSTATIC DRIVE, LOWER (FOUR WHEEL DRIVE) (-655200)	50 - 86	7F23	OPERATOR'S SEAT SEATBELT (665201-)	90 - 44
4F16	OIL LINES HYDROSTATIC DRIVE, LOWER (FOUR WHEEL DRIVE) (655201-)	50 - 88	8C22	OUTER CLOSURE FRAME, FEEDER HOUSE	110 - 20
4F24	OIL LINES HYDROSTATIC DRIVE, LOWER (FOUR WHEEL DRIVE) (655201-)	50 - 96	4E16	OUTER COVER, BEARINGS, SEALS AND SHAFT CAM LOBE MOTOR	50 - 62
4F18	OIL LINES HYDROSTATIC DRIVE, LOWER (TWO WHEEL DRIVE) (655201-)	50 - 90	3G17	OUTLET, CONVENIENCE (660201-)	40 - 110
6G23	OIL LINES, LEVELING VALVE (645000-650000)	70 - 122	3G15	OUTLET, ELECTRICAL SERVICE	40 - 108
6H3	OIL LINES, LOWER, LEVELING CYLINDER	70 - 126	2C19	OVERHAUL KIT(S), ENGINE (ESN 500000-)	30 - 12
2D22	OIL LINES, TURBOCHARGER (ESN 500000-)	30 - 40	1D21	OVERHAUL KIT(S), ENGINE (ESN -499999)	25 - 14
1F10	OIL LINES, TURBOCHARGER (EARLY DESIGN) (ESN -499999)	25 - 54	3C9	OVERHEAD CONSOLE PANEL	40 - 4
6H1	OIL LINES, UPPER, LEVELING CYLINDER	70 - 124	P		
1F15	OIL PAN	25 - 59	9I13	PADDLE ASSEMBLY AND HOUSING, UPPER TAILINGS AUGER	125 - 76
2D17	OIL PAN	30 - 35	8F1	PADDLE SHAFT, FEEDER HOUSE (SIDEHILL)	110 - 74
1F15	OIL PAN DRAIN VALVE	25 - 59	9H3	PAN AND SEALS, CHAFF SPREADER (BELT TYPE) (-650200)	125 - 42
2D17	OIL PAN DRAIN VALVE	30 - 35	1F15	PAN, OIL	25 - 59
1F15	OIL PAN GASKET	25 - 59	2D17	PAN, OIL	30 - 35
2D17	OIL PAN GASKET	30 - 35	8I19	PAN, SHAKER	120 - 74
2D12	OIL PRESSURE REGULATING VALVE (ESN 500000-)	30 - 30	9H5	PAN, WINGS AND SEALS, CHAFF SPREADER (DUAL MOTOR) (650201-)	125 - 44
1E22	OIL PRESSURE REGULATING VALVE (EARLY DESIGN) (ESN -499999)	25 - 40	3C19	PANEL, ARMREST CONTROL	40 - 14
3E11	OIL PRESSURE SENDING UNIT, ENGINE	40 - 56	3C11	PANEL, INSTRUMENT, CAB POST	40 - 6
4D5	OIL PUMP	50 - 26	7F13	PANEL, INSTRUMENT, CAB POST	90 - 34
2C23	OIL PUMP DRIVE GEAR (ESN 500000-)	30 - 16	3C9	PANEL, OVERHEAD CONSOLE	40 - 4
2D10	OIL PUMP DRIVE GEAR (ESN 500000-)	30 - 28	7E5	PANELS AND FLOOR MAT, CAB	90 - 2
1D24	OIL PUMP DRIVE GEAR (HH001 OR HH004) (ESN -499999)(MKD RE53201)	25 - 17	7E11	PANELS, CAB INTERIOR TRIM	90 - 8
1D25	OIL PUMP DRIVE GEAR (HH003) (LATE DESIGN)	25 - 18	5C5	PARK BRAKE ACTUATOR (-640200)	60 - 2
1D24	OIL PUMP DRIVE GEAR (TH001 - EARLY DESIGN) (STD HP)(MKD RE53201)	25 - 17	5C9	PARKING BRAKE LINES AND HOSES, UPPER (-640200)	60 - 6
2D10	OIL PUMP, ENGINE (ESN 500000-)	30 - 28	5C7	PARKING BRAKE LINES, LOWER (-640200)	60 - 4
1E16	OIL PUMP, ENGINE (LATE DESIGN) (ESN -499999)	25 - 34	5C11	PARKING BRAKE PEDAL AND FRAME	60 - 8
1E19	OIL PUMP, REPLACEMENT (EARLY DESIGN) (ESN -499999)	25 - 37	5C4	PARKING BRAKE VALVE (-640200)	60 - 1
6E3	OIL RESERVOIR AND MOUNTINGS, HYDRAULIC/HYDROSTATIC	70 - 48	7F24	PASSENGER SEAT SEATBELT (665201-)	90 - 45
2D2	OIL SEAL, CRANKSHAFT FRONT (ESN 500000-)	30 - 20	5D5	PAWL, STEERING COLUMN	60 - 26
1E5	OIL SEAL, CRANKSHAFT FRONT (TH001,HH001,HH004)(ESN -499999)	25 - 23	7H3	PAWL, STEERING COLUMN	90 - 74
1E4	OIL SEAL, CRANKSHAFT FRONT (HH003) (EARLY DESIGN)	25 - 22	7H5	PAWL, STEERING COLUMN	90 - 76
1E2	OIL SEAL, REAR	25 - 20	5C11	PEDAL AND FRAME, PARKING BRAKE	60 - 8
2C25	OIL SEAL, REAR (6076)	30 - 18	7F17	PEDAL, REVERSER FOOT CONTROL, FEEDER HOUSE	90 - 38
			8D23	PEDAL, REVERSER FOOT CONTROL, FEEDER HOUSE	110 - 46
			5C13	PEDALS AND MASTER CYLINDERS, BRAKE	60 - 10
			1H3	PICK-UP, MAGNETIC (EARLY DESIGN)	25 - 99
			2F21	PICK-UP, MAGNETIC (ESN 500000-)	30 - 90
			4D23	PINION AND BEARINGS, FINAL DRIVE (RING AND PINION) (SIDEHILL)	50 - 44

ALPHABETICAL INDEX - CONTINUED

GRID	PAGE	GRID	PAGE
4D7	PINION SHAFT, GEARS AND BEARINGS, TRANSMISSION	7H17	PULLEY, COMPRESSOR (-650200) R-12
	50 - 28		90 - 88
4D21	PINION, SHAFTS AND BEARINGS, FINAL DRIVE (RING AND PINION)	9D21	PULLEY, SECONDARY COUNTERSHAFT DRIVE
	50 - 42		121 - 44
4E6	PISTON ASSEMBLY, HYDROSTATIC DRIVE (RING AND PINION)	9C12	PUMP DRIVE AND SEPARATOR, GEARCASE
	50 - 51		121 - 10
1D13	PISTON COOLING JETS	9C14	PUMP DRIVE AND SEPARATOR, GEARCASE
	25 - 6		121 - 12
1D11	PISTON COOLING JETS (EARLY DESIGN) (WITHOUT HEAD BOLTS)	9C8	PUMP DRIVE SHAFT AND SEPARATOR DRIVE WET-CLUTCH, GEARCASE
	25 - 4		121 - 6
2C11	PISTON COOLING JETS (ESN 500000-)	9C10	PUMP DRIVE SHAFT AND SEPARATOR DRIVE WET-CLUTCH, GEARCASE
	30 - 4		121 - 8
1D23	PISTON RINGS (ESN -499999)	9E19	PUMP MOUNTING SHEAVE, REEL / BELT PICKUP DRIVE
	25 - 16		121 - 66
2C22	PISTON RINGS (6076) (ESN 500000-)	9H19	PUMP, CHAFF SPREADER
	30 - 15		125 - 58
2C22	PISTON/LINER KIT(6076) (ESN 500000-)	6F5	PUMP, DRIVE, REEL/BELT PICKUP
	30 - 15		70 - 78
1D23	PISTON, ENGINE (ESN -499999)	1E14	PUMP, ENGINE OIL (EARLY DESIGN OIL PUMP) (ESN -499999)
	25 - 16		25 - 32
2C22	PISTON, ENGINE (6076)(ESN 500000-)	2D10	PUMP, ENGINE OIL (ESN 500000-)
	30 - 15		30 - 28
4E22	PISTONS, CAM AND CARRIER	2G5	PUMP, FUEL
	50 - 68		32 - 4
8E14	PIVOT HOUSING AND UPPER SHAFT	3E9	PUMP, FUEL INJECTION
	110 - 62		40 - 54
4C21	PIVOT TUBE, INNER CASTING, FINAL DRIVE (SIDEHILL) (RING AND PINION)	1G1	PUMP, FUEL INJECTION (HH003)(LATE DESIGN STD. HP ENGINE) (ESN 149284-499999)
	50 - 16		25 - 70
7E21	PIVOTING PLATFORM AND HANDRAILS, OPERATO R'S	1G3	PUMP, FUEL INJECTION (HH004) (EARLY DESIGN ENGINE)
	90 - 18		25 - 72
4E24	PIVOTS, CAPS AND YOKE	2E12	PUMP, FUEL INJECTION (ROBERT BOSCH) (6076HH032)
	50 - 70		30 - 56
8C16	PLATES, CLOSURE, FEEDER HOUSE - CONTOUR MASTER (660201-)	1F24	PUMP, FUEL INJECTION (TH001) (EARLY DESIGN STD. HP ENGINE)
	110 - 14		25 - 68
8C14	PLATES, WEAR, FEEDER HOUSE - CONTOUR MASTER (660201-)	2E4	PUMP, FUEL INJECTION (6076 HH032)
	110 - 12		30 - 48
7C19	PLATFORM AND STEP, ENGINE ACCESS	2E16	PUMP, FUEL INJECTION (6076HH031) (DENSO) (EARLY DESIGN F.I.P.)
	80 - 22		30 - 60
7E23	PLATFORM LADDER AND LATCH, OPERATOR'S	2E18	PUMP, FUEL INJECTION (6076HH031) (ROBERT BOSCH) (LATE DESIGN F.I.P.)
	90 - 20		30 - 62
7F1	PLATFORM LADDER AND LATCH, OPERATOR'S	2E10	PUMP, FUEL INJECTION (6076HH032) (EARLY DESIGN)
	90 - 22		30 - 54
4C7	PLATFORM REEL LIFT SWITCH	2E20	PUMP, FUEL INJECTION (6076HH035) (ROBERT BOSCH) (LATE DESIGN F.I.P.)
	50 - 2		30 - 64
7C13	PLATFORM, ENGINE (-640200)	2E14	PUMP, FUEL INJECTION (6076HH036)
	80 - 16		30 - 58
7C15	PLATFORM, ENGINE (640201-)	2F1	PUMP, FUEL TRANSFER (DENSO) (ESN 500000-538145) (6076HH031)
	80 - 18		30 - 70
7C17	PLATFORM, ENGINE (640201-)	2E25	PUMP, FUEL TRANSFER (RB) (ESN 5000000-) (6076HH030, HH032, HH034, HH036)
	80 - 20		30 - 69
6C20	PLATFORM, 200 SERIES CUTTING, CONVERSION PARTS	2F2	PUMP, FUEL TRANSFER (ROBERT BOSCH) (ESN 538146-) (6076HH031)
	70 - 16		30 - 71
3E15	PLUGGED AIR FILTER WARNING SWITCH,ENGINE ..	1G5	PUMP, FUEL TRANSFER (ROBERT BOSCH) (HH001/HH004) (ESN -499999)
	40 - 60		25 - 74
3E3	PLUGGING SENSING SWITCH, STRAW WALKER	1G9	PUMP, FUEL TRANSFER (ROBERT BOSCH) (HH004) (ESN -499999)
	40 - 48		25 - 78
811	PRE-CLEANER CHAFFER FRAME	1G6	PUMP, FUEL TRANSFER (TH001, HH003) (ND) (ESN -499999)
	120 - 56		25 - 75
815	PRECLEANER CHAFFER FRAME ARMS	4E5	PUMP, HYDROSTATIC DRIVE
	120 - 60		50 - 50
8H23	PRECLEANING CHAFFER	4E7	PUMP, HYDROSTATIC DRIVE CHARGE (RING AND PINION)
	120 - 54		50 - 52
6C6	PRESSURE GUAGE AND WIRING HARNESS, ACCUMULATOR	4E8	PUMP, HYDROSTATIC DRIVE CHARGE (RING AND PINION)
	70 - 2		50 - 53
6G10	PRESSURE HOSE, CHARGE (640201-)	4E1	PUMP, HYDROSTATIC DRIVE, COVER, SHAFT (RING AND PINION)
	70 - 108		50 - 46
6G12	PRESSURE HOSE, CHARGE, SIDEHILL	4H1	PUMP, HYDROSTATIC DRIVE, ENGINE GEARCASE HYDRAULIC PUMP CONNECTING HARDWARE
	70 - 110		50 - 122
6E4	PRESSURE LINES AND HOSES, HYDRAULIC	9H13	PUMP, LINES, HOSES AND VALVE, CHAFF SPREADER
	70 - 50		125 - 52
6G7	PRESSURE REGULATOR, ENGINE GEARCASE	6C14	PUMP, LUBE OIL, FEEDER HOUSE OIL COOLER
	70 - 104		70 - 10
7H9	PRESSURIZING FAN AND AIR CONDITIONING/ HEATER FAN	6F3	PUMP, MAIN HYDRAULIC
	90 - 80		70 - 76
9C22	PRIMARY COUNTERSHAFT GEARCASE (-640100)	4D5	PUMP, OIL
	121 - 20		50 - 26
9C18	PRIMARY COUNTERSHAFT GEARCASE (-640100)	1E16	PUMP, OIL ENGINE (LATE DESIGN) (ESN -499999)
	121 - 16		25 - 34
9C24	PRIMARY COUNTERSHAFT GEARCASE (640101-)	5C23	PUMP, STEERING
	121 - 22		60 - 20
9C20	PRIMARY COUNTERSHAFT GEARCASE (640101-)	5D5	PUMP, STEERING
	121 - 18		60 - 26
9C16	PRIMARY COUNTERSHAFT, GEARCASE AND DRIVE SHAFT	7H3	PUMP, STEERING
	121 - 14		90 - 74
9D3	PRIMARY COUNTERSHAFT, SUPPORTS AND VARI- ABLE SHEAVE		
	121 - 26		
7H23	PULLEY, A/C COMPRESSOR (650201-) R134A		
	90 - 95		

ALPHABETICAL INDEX - CONTINUED

<i>GRID</i>		<i>PAGE</i>	<i>GRID</i>		<i>PAGE</i>
7H5	PUMP, STEERING.....	90 - 76	9F3	REAR STRAW CHOPPER DRIVES, FINE CUT	121 - 74
1G3	PUMP, TRANSFER (HH004) (EARLY DESIGN ENGINE).....	25 - 72	1C9	REAR SUPPORT AND ENGINE MOUNTS, 6076 (655552-)	20 - 13
1G1	PUMP, TRANSFER (ENGINE) (HH003) (LATE DESIGN STD. HP ENGINE) (149284-499999)	25 - 70	1C8	REAR SUPPORT AND ENGINE MOUNTS, 6076 SIDEHILL (645201-655551)	20 - 12
1F24	PUMP, TRANSFER (ENGINE) (TH001) (EARLY DESIGN STD. HP ENGINE).....	25 - 68	1C7	REAR SUPPORT AND ENGINE MOUNTS, 6076 9500 (-640200)	20 - 11
1E24	PUMP, WATER (EARLY DESIGN) (ESN -499999).....	25 - 42	1C8	REAR SUPPORT AND ENGINE MOUNTS, 6076 9500 (640201-655551).....	20 - 12
2D14	PUMP, WATER (ESN 500000-)	30 - 32	5E10	REAR WHEELS (4-WHEEL DRIVE/CAM LOBE MOTOR)	60 - 58
2D6	PUSH RODS	30 - 24	5E8	REAR WHEELS AND WHEEL WEIGHTS	60 - 56
1E9	PUSH RODS (EARLY DESIGN)	25 - 27	10F7	REEL BELTS	170 - 4
Q			6C10	REEL DRIVE FLOW CONTROL VALVE	70 - 6
4E21	QUILL, BEARING AND COVER	50 - 67	6C22	REEL DRIVE HYDRAULIC LINES AND HOSES, FRONT	70 - 18
R			6C8	REEL DRIVE HYDRAULIC LINES AND HOSES, L.H. SIDE	70 - 4
3E1	R.H. MAIN WIRING HARNESS.....	40 - 46	6D3	REEL FORE-AND-AFT HYDRAULIC LINES AND HOSES, FRONT	70 - 24
7D13	R.H. SERVICE ACCESS SHIELD.....	80 - 40	6D5	REEL FORE-AND-AFT HYDRAULIC LINES, L.H. SIDE	70 - 26
5D11	R.H. STEERING LINES	60 - 32	6E16	REEL FORE/AFT SOLENOID CONTROL VALVE (-650200)	70 - 64
2G19	RADIATOR AND HOSES	32 - 18	6E18	REEL FORE/AFT SOLENOID CONTROL VALVE (650201-)	70 - 66
7C5	RADIATOR DOOR, HANDRAILS AND ENGINE ACCESS DOOR	80 - 8	6E11	REEL LIFT AND CYLINDER SPEED, SOLENOID CONTROL VALVE	70 - 58
7C7	RADIATOR SHELL AND SEALS.....	80 - 10	6D1	REEL LIFT LINES AND HOSES	70 - 22
7C9	RADIATOR SHELL AND SEALS.....	80 - 12	4C7	REEL LIFT SWITCH, PLATFORM	50 - 2
1C15	RADIATOR WITH OIL COOLER, A/C CONDENSER AND AIR INTER COOLER	20 - 20	6C24	REEL PUMP HDRAULIC LINES AND HOSES	70 - 20
3C9	RADIO.....	40 - 4	3G11	REEL SPEED MOTOR AND BRACKET.....	40 - 104
3D16	RADIO, SPEAKERS AND ANTENNA	40 - 36	9E20	REEL/BELT PICKUP CHARGE PUMP MOUNTING AND SHEAVE	121 - 67
8G14	RASP BAR CONCAVE AND GRATE	120 - 20	6F5	REEL/BELT PICKUP DRIVE PUMP	70 - 78
8G16	RASP BAR CONCAVE AND GRATE	120 - 22	6G7	REGULATOR, PRESSURE, ENGINE GEARCASE	70 - 104
8G11	RASP BAR THRESHING CYLINDER	120 - 16	7C3	REINFORCEMENT KIT, NO. 1 UPRIGHT	80 - 6
7E9	REAR AND SIDE CAB SEALS	90 - 6	7C4	REINFORCEMENT KIT, NO. 5 UPRIGHT	80 - 7
5E3	REAR AXLE SPINDLE HOUSING (FIXED AND ADJUSTABLE REAR AXLE).....	60 - 50	3F17	RELAYS, ENGINE CIRCUIT BREAKER	40 - 86
5E4	REAR AXLE SPINDLE HOUSING, ADJUSTABLE.....	60 - 51	3F14	RELAYS, ENGINE CIRCUIT BREAKER (-660200)	40 - 83
5E1	REAR AXLE SPINDLES (FIXED AND ADJUSTABLE REAR AXLE).....	60 - 48	3F15	RELAYS, ENGINE CIRCUIT BREAKER (660201-)	40 - 84
5D21	REAR AXLE SUPPORT.....	60 - 42	6E8	RELIEF VALVE MODULE, SOLENOID CONTROL	70 - 54
5D19	REAR AXLE TRASH SHIELD	60 - 40	6E8	RELIEF VALVE, SOLENOID CONTROL - CONTOUR MASTER	70 - 54
5D24	REAR AXLE, ADJUSTABLE	60 - 45	2D16	REPAIR KIT, WATER PUMP (ESN 500000-).....	30 - 34
5D25	REAR AXLE, ADJUSTABLE	60 - 46	1F1	REPAIR KIT, WATER PUMP (EARLY DESIGN) (ESN -499999).....	25 - 44
5D23	REAR AXLE, FIXED	60 - 44	1E19	REPLACEMENT ENGINE OIL PUMP (EARLY DESIGN) (ESN -499999)	25 - 37
7D19	REAR CORNER SHEET, L H.....	80 - 46	6E3	RESERVOIR AND MOUNTINGS, OIL, HYDRAULIC/HYDROSTATIC	70 - 48
7D5	REAR HOOD	80 - 32	6E1	RESERVOIR HYDRAULIC UPPER RETURN LINES AND HOSES	70 - 46
7D3	REAR LADDER AND EXTENSION.....	80 - 30	5C15	RESERVOIR, BRAKE LINES AND MASTER CYLINDER	60 - 12
7C21	REAR LADDER AND LANDING	80 - 24	4H5	RESERVOIR, RETURN LINE (640201-)	50 - 126
7C23	REAR LADDER LANDING LATCH ARM (-640200)	80 - 26	4H5	RESERVOIR, RETURN LINE (651133-) SIDEHILL	50 - 126
7D1	REAR LADDER LANDING LATCH ARM (640201-)	80 - 28	3D14	RESERVOIR, WINDSHIELD WASHER.....	40 - 34
3G22	REAR LAMP ASSEMBLY - L.H. SIDE	40 - 115	8D15	RETROFIT INSTALLATION - LH SIDE FEEDER HOUSE DUST FAN BELT.....	110 - 38
1E2	REAR OIL SEAL	25 - 20	8D11	RETROFIT INSTALLATION-FEEDER CONVEYOR DRIVE CHAIN,TIGHTENER AND GUIDES	110 - 34
2C25	REAR OIL SEAL (6076)	30 - 18			
1E2	REAR OIL SEAL GASKET	25 - 20			
2C25	REAR OIL SEAL GASKET (6076)	30 - 18			
1E2	REAR OIL SEAL HOUSING	25 - 20			
2C25	REAR OIL SEAL HOUSING (6076)	30 - 18			
5D13	REAR STEERING LINES AND HOSES (DUAL CYLINDER)	60 - 34			
5D15	REAR STEERING LINES AND HOSES (DUAL CYLINDER)	60 - 36			
9F1	REAR STRAW CHOPPER DRIVES	121 - 72			

ALPHABETICAL INDEX - CONTINUED

GRID		PAGE	GRID		PAGE
8D13	RETROFIT INSTALLATION-LH SIDE FEEDER HOUSE DUST FAN.....	110 - 36	9F22	ROTOR STRAW CHOPPER, FINE CUT (PADDLED NARROW (670492-)	125 - 12
7G1	RETROFIT SEAT BELT KIT (MACHINES PRIOR TO 1996 MODEL YEAR)	90 - 46	9F20	ROTOR STRAW CHOPPER, FINE CUT (STRAIGHT NARROW (670492-)	125 - 10
8C20	RETURN FLOOR, CONVEYOR CHAIN-SIDEHILL FEEDER HOUSE	110 - 18	3F1	ROTOR, ALTERNATOR	40 - 70
8D3	RETURN FLOOR, FEEDER HOUSE (-643900)	110 - 26	9F24	ROTOR, SHEAVE AND STRAW CHOPPER	125 - 14
8D5	RETURN FLOOR, FEEDER HOUSE (643901-)	110 - 28	S		
4H5	RETURN LINE TO RESERVOIR (640201-)	50 - 126	10F9	SAFETY DECALS AND LOCATIONS	170 - 6
4H5	RETURN LINE TO RESERVOIR (651133-) SIDEHILL	50 - 126	10F11	SAFETY DECALS AND LOCATIONS	170 - 8
4H3	RETURN LINE TO RESERVOIR - 4-WHEEL DRIVE SIDEHILL (-651132)	50 - 124	10F13	SAFETY DECALS AND LOCATIONS	170 - 10
6E1	RETURN LINES AND HOSES, HYDRAULIC, RESERVOIR, UPPER	70 - 46	10F15	SAFETY DECALS AND LOCATIONS	170 - 12
6D23	RETURN LINES, HYDRAULIC	70 - 44	10F17	SAFETY DECALS AND LOCATIONS	170 - 14
7F17	REVERSER FOOT CONTROL, FEEDER HOUSE.....	90 - 38	10F19	SAFETY DECALS AND LOCATIONS - FRENCH	170 - 16
8D23	REVERSER FOOT CONTROL, FEEDER HOUSE.....	110 - 46	10F21	SAFETY DECALS AND LOCATIONS - FRENCH	170 - 18
8D21	REVERSER GEAR BOX	110 - 44	10F23	SAFETY DECALS AND LOCATIONS - FRENCH	170 - 20
8F7	REVERSER).....	110 - 80	10G1	SAFETY DECALS AND LOCATIONS - FRENCH	170 - 22
7G20	RIGHT HAND ARMREST ADJUSTING MECHANISM (640201-)	90 - 66	10G3	SAFETY DECALS AND LOCATIONS - FRENCH	170 - 24
1D23	RINGS, PISTON (ESN -499999).....	25 - 16	7G16	SAFETY START SWITCH, NEUTRAL ENGINE.....	90 - 62
2C22	RINGS, PISTON (6076) (ESN 500000-).....	30 - 15	8C8	SAFETY STOP, CONTOUR MASTER FEEDER HOUSE (661186-)	110 - 6
1E12	ROCKER ARM COVER	25 - 30	8C4	SAFETY STOP, DRIVE SHIELDS, FEEDER HOUSE	110 - 2
2D7	ROCKER ARM COVER	30 - 25	8C6	SAFETY STOP, DRIVE SHIELDS, FEEDER HOUSE (SIDEHILL).....	110 - 4
1E12	ROCKER ARM COVER GASKET	25 - 30	10C20	SAMPLING TROUGH, GRAIN TANK	130 - 18
2D7	ROCKER ARM COVER GASKET	30 - 25	1C2	SCREEN DOOR, ROTARY SH9500 (645201-)	20 - 6
2D6	ROCKER ARM SHAFT	30 - 24	1C2	SCREEN DOOR, ROTARY 9500 (640201-)	20 - 6
1E9	ROCKER ARM SHAFT (EARLY DESIGN)	25 - 27	1B23	SCREEN DRIVE, ROTARY (-645200)	20 - 1
2D6	ROCKER ARMS.....	30 - 24	1B24	SCREEN DRIVE, ROTARY (645201-)	20 - 2
1E9	ROCKER ARMS (EARLY DESIGN)	25 - 27	1C2	SCREEN, ROTARY SH9500 (645201-)	20 - 6
3H5	ROCKER SWITCHES, SIDEHILL LEVELING.....	40 - 122	1C2	SCREEN, ROTARY 9500 (640201-)	20 - 6
9H9	ROD, KNOB, CONTROL AND CHECK VALVE CHAFF SPREADER	125 - 48	1C1	SCREEN, ROTARY, DOOR (-640200)	20 - 4
1D23	RODS, CONNECTING.....	25 - 16	8H13	SCREENS, CLEANING FAN LEAF (CORN) (660999-)	120 - 44
2C22	RODS, CONNECTING (6076)	30 - 15	7H22	SEAL, A/C COMPRESSOR (650201-) R134A	90 - 94
2D6	RODS, PUSH	30 - 24	7H25	SEAL, A/C COMPRESSOR KIT (650201-) R134A	90 - 97
1E9	RODS, PUSH (EARLY DESIGN)	25 - 27	7E15	SEAL, CAB DOOR.....	90 - 12
5E5	RODS, STEERING TIE (FIXED REAR AXLE, NON-POWERED)	60 - 52	8C24	SEAL, FEEDER HOUSE	110 - 22
5E6	RODS, STEERING TIE (FIXED REAR AXLE, 4-WHEEL DRIVE)	60 - 54	2D2	SEAL, FRONT OIL (ESN 500000-).....	30 - 20
5E7	RODS,STEERING TIE (ADJUSTABLE REAR AXLE) (NON-POWERED, 4-WHEEL DRIVE REAR AXLE)....	60 - 55	1E4	SEAL, FRONT OIL (HH003) (EARLY DESIGN)	25 - 22
7E19	ROOF, CAB AND SUPPORTS	90 - 16	1E5	SEAL, FRONT OIL (TH001, HH001, HH004) (ESN -499999)	25 - 23
3C13	ROOF, CAB LIGHTS	40 - 8	1E2	SEAL, REAR OIL	25 - 20
10F6	ROTARY SCREEN BELTS	170 - 3	2C25	SEAL, REAR OIL (6076)	30 - 18
1C1	ROTARY SCREEN DOOR (-640200)	20 - 4	1E24	SEAL, WATER PUMP (EARLY DESIGN) (ESN -499999).....	25 - 42
1C2	ROTARY SCREEN DOOR AND SCREEN SH9500 (645201-)	20 - 6	2D14	SEAL, WATER PUMP (ESN 500000-)	30 - 32
1C2	ROTARY SCREEN DOOR AND SCREEN 9500 (640201-)	20 - 6	9H3	SEALS AND PAN, CHAFF SPREADER (BELT TYPE) (-650200)	125 - 42
1B23	ROTARY SCREEN DRIVE (-645200)	20 - 1	7C7	SEALS AND RADIATOR SHELL.....	80 - 10
1B24	ROTARY SCREEN DRIVE (645201-)	20 - 2	7C9	SEALS AND SHELL, RADIATOR	80 - 12
1B24	ROTARY SCREEN DRIVE AND IDLER ARMS (645201-)	20 - 2	7E9	SEALS, CAB SIDE AND REAR	90 - 6
1B24	ROTARY SCREEN DRIVE IDLER ARMS (645201-)	20 - 2	8H13	SEALS, CLEANING FAN LEAF SCREEN (CORN) (660999-)	120 - 44
5C23	ROTATOR, STEERING PUMP	60 - 20			
9F14	ROTOR AND SHEAVE, STRAW CHOPPER	125 - 4			

ALPHABETICAL INDEX - CONTINUED

GRID		PAGE	GRID		PAGE
8C14	SEALS, FEEDER HOUSE - CONTOUR MASTER (660201-)	110 - 12	9C4	SEPARATOR DRIVE GEAR, UNLOADING DRIVE AND STRAW CHOPPER- ENGINE GEARCASE	121 - 2
7E7	SEALS, FOAM AND SOUND DEADENING, CAB	90 - 4	9C8	SEPARATOR DRIVE WET-CLUTCH AND PUMP DRIVE SHAFT, GEARCASE	121 - 6
9H5	SEALS, PAN AND WINGS, CHAFF SPREADER (DUAL MOTOR) (650201-)	125 - 44	9C10	SEPARATOR DRIVE WET-CLUTCH AND PUMP DRIVE SHAFT, GEARCASE	121 - 8
4E16	SEALS, SHAFT, OUTER COVER AND BEARINGS CAM LOBE MOTOR	50 - 62	9E7	SEPARATOR FAN DRIVE	121 - 54
7G2	SEAT ADJUST FORE-AND-AFT	90 - 48	3E23	SEPARATOR FAN DRIVE ADJUSTING MOTOR	40 - 68
7F21	SEAT AND BACKREST, OPERATOR'S	90 - 42	7B23	SEPARATOR FRAME	80 - 2
7G1	SEAT BELT KIT, RETROFIT (MACHINES PRIOR TO 1996 MODEL YEAR)	90 - 46	7C1	SEPARATOR FRAME	80 - 4
7G4	SEAT HEIGHT ADJUSTER	90 - 50	8F21	SEPARATOR/FEEDER HOUSE SEAL, STONE TRAP AND DOOR	120 - 2
7F19	SEAT SHROUDS AND TRAINING SEAT	90 - 40	8F23	SEPARATOR/FEEDER HOUSE SEAL, STONE TRAP AND DOOR	120 - 4
7G6	SEAT, AIR SUSPENSION (660201-)	90 - 52	2G5	SEPARATOR, WATER	32 - 4
7G8	SEAT, AIR SUSPENSION KITS (665201-)	90 - 54	7D15	SERVICE ACCESS SHIELD, L.H.	80 - 42
7G10	SEAT, AIR SUSPENSION KITS (665201-)	90 - 56	7D13	SERVICE ACCESS SHIELD, R.H.	80 - 40
7G12	SEAT, AIR SUSPENSION KITS (665201-)	90 - 58	3G1	SERVICE KIT, ELECTRICAL CONNECTORS	40 - 94
7G14	SEAT, AIR SUSPENSION KITS (665201-)	90 - 60	3G3	SERVICE KIT, ELECTRICAL CONNECTORS	40 - 96
3D3	SEAT, AIR, WIRING HARNESS (660201-)	40 - 22	3G15	SERVICE OUTLET, ELECTRICAL	40 - 108
7F23	SEAT, OPERATOR'S SEATBELT (665201-)	90 - 44	7H19	SET, COMPRESSOR HARDWARE (-650200) R-12	90 - 90
7F24	SEAT, SEATBELT - PASSENGER (665201-)	90 - 45	4G21	SHAFT SHIELDS, FINAL DRIVE (RING AND PINION)	50 - 118
7F23	SEATBELT, OPERATOR'S SEAT (665201-)	90 - 44	8H5	SHAFT, BEATER AND DRIVE BELT	120 - 36
7F24	SEATBELT, PASSENGER SEAT (665201-)	90 - 45	5C13	SHAFT, BRAKE PIVOT	60 - 10
9D21	SECONDARY COUNTERSHAFT DRIVE	121 - 44	4E1	SHAFT, DRIVE PUMP, COVER, HYDROSTATIC (RING AND PINION)	50 - 46
9D21	SECONDARY COUNTERSHAFT DRIVE PULLEY	121 - 44	8F7	SHAFT, DRIVE, FRONT, SHEAVE AND MOUNTINGS (FIXED SPEED WITH REVERSER)	110 - 80
2G5	SENDER, FUEL	32 - 4	10C12	SHAFT, ELEVATOR, SPROCKET AND SHEAVE, UPPER CLEAN GRAIN	130 - 10
3E3	SENSING SWITCH, STRAW WALKER PLUGGING	40 - 48	8E1	SHAFT, FRONT WITH REVERSER (VARIABLE)	110 - 48
1H3	SENSOR, ENGINE SPEED (EARLY DESIGN)	25 - 99	4E7	SHAFT, HYDROSTATIC DRIVE	50 - 52
2F21	SENSOR, ENGINE SPEED (ESN 500000-)	30 - 90	4E11	SHAFT, HYDROSTATIC DRIVE	50 - 56
3E9	SENSOR, ENGINE TACH	40 - 54	4E16	SHAFT, OUTER COVER, BEARING AND SEALS CAM LOBE MOTOR	50 - 62
3H6	SENSOR, FEEDER HOUSE BACKSHAFT SPEED	40 - 124	4D5	SHAFT, PINION	50 - 26
2G5	SENSOR, FUEL PUMP	32 - 4	4D7	SHAFT, PINION	50 - 28
3E19	SENSOR, FULL TANK	40 - 64	4C19	SHAFT, RING & PINION FINAL DRIVE	50 - 14
3E21	SENSOR, FULL TANK	40 - 66	2D6	SHAFT, ROCKER ARM	30 - 24
4D9	SENSOR, GROUND SPEED	50 - 30	1E9	SHAFT, ROCKER ARM (EARLY DESIGN)	25 - 27
4D11	SENSOR, GROUND SPEED (SIDEHILL)	50 - 32	8F5	SHAFT, SHEAVE AND MOUNTINGS, UPPER DRIVE (FIXED SPEED WITH REVERSER)	110 - 78
3E7	SENSOR, HARVESTRAK	40 - 52	5D5	SHAFT, STEERING WHEEL	60 - 26
3E1	SENSOR, LOW SHAFT SPEED	40 - 46	7H3	SHAFT, STEERING WHEEL	90 - 74
2E12	SENSOR, TEMPERATURE (ROBERT BOSCH) (6076HH032)	30 - 56	7H5	SHAFT, STEERING WHEEL	90 - 76
2E18	SENSOR, TEMPERATURE (6076HH031) (ROBERT BOSCH) (LATE DESIGN F.I.P.)	30 - 62	9I1	SHAFT, TIGHTENER AND AUGER, LOWER TAILINGS	125 - 64
2E20	SENSOR, TEMPERATURE (6076HH035) (ROBERT BOSCH) (LATE DESIGN F.I.P.)	30 - 64	4D9	SHAFTS AND GEARS, DIFFERENTIAL	50 - 30
2E14	SENSOR, TEMPERATURE (6076HH036)	30 - 58	4D11	SHAFTS AND GEARS, DIFFERENTIAL (SIDEHILL)	50 - 32
3D20	SENSOR, TRANSMISSION SPEED	40 - 40	4D21	SHAFTS, BEARINGS AND PINION, FINAL DRIVE (RING AND PINION)	50 - 42
3E5	SENSOR, UNLOADING AUGER (660201-)	40 - 50	4D13	SHAFTS, FINAL DRIVE (SIDEHILL)	50 - 34
3E16	SENSORS AND BRACKETS, LOW SHAFT SPEED	40 - 61	8I19	SHAKER PAN	120 - 74
9C12	SEPARATOR AND PUMP DRIVE, GEARCASE	121 - 10	8G9	SHEAR BAR, CYLINDER	120 - 14
9C14	SEPARATOR AND PUMP DRIVE, GEARCASE	121 - 12	10C22	SHEAVE AND ELEVATOR GEARCASE, CLEAN GRAIN	130 - 20
8J7	SEPARATOR CURTAIN (RASP BAR CYLINDER)	120 - 86	9F14	SHEAVE AND ROTOR, STRAW CHOPPER	125 - 4
8J9	SEPARATOR CURTAIN (SPIKE-TOOTH CYLINDER)	120 - 88	9E15	SHEAVE LINKAGE, FAN DRIVE SPEED CONTROL	121 - 62
9C6	SEPARATOR DRIVE GEAR, UNLOADING DRIVE AND STRAW CHOPPER, ENGINE GEARCASE	121 - 4	3F3	SHEAVE, BELT AND ALTERNATOR MOTOROLA-PRESTOLITE (-637627)	40 - 72
			10C12	SHEAVE, ELEVATOR SHAFT AND SPROCKET, UPPER CLEAN GRAIN	130 - 10
			9E19	SHEAVE, MOUNTING, PUMP, REEL / BELT PICKUP DRIVE	121 - 66

ALPHABETICAL INDEX - CONTINUED

GRID		PAGE	GRID		PAGE
8F5	SHEAVE, MOUNTINGS AND UPPER DRIVE SHAFT (FIXED SPEED WITH REVERSER).....	110-78	2C17	SHORT BLOCK (WITH HEAD BOLTS).....	30-10
8D19	SHEAVE, MOUNTINGS, FRONT VARIABLE DRIVE.....	110-42	2C15	SHORT BLOCK (ESN 500000-) (WITHOUT HEAD BOLTS).....	30-8
9F24	SHEAVE, ROTOR AND STRAW CHOPPER.....	125-14	1D15	SHORT BLOCK (HH004-OPT. HP) (-499999)(WITHOUT HEAD BOLTS).....	25-8
9E5	SHEAVES, BEATER DRIVE AND TIGHTENER.....	121-52	1D15	SHORT BLOCK (TH001-STD. HP)(EARLY DESIGN DESIGN -499999)(WITHOUT HEAD BOLTS).....	25-8
8D7	SHEAVES, BRACKETS AND LEVELING CABLES SIDEHILL.....	110-30	1D19	SHORT BLOCK (WITH HEAD BOLTS) (TH001,HH001,HH003)(ESN -499999).....	25-12
10F5	SHEAVES, ENGINE DRIVE.....	170-2	1G16	SHORT BLOCK GASKET KIT (ESN -499999).....	25-86
8F3	SHEAVES, SUPPORTS AND UPPER COUNTERSHAFT VARIABLE DRIVE.....	110-76	2F13	SHORT BLOCK GASKET KIT (ESN 500000-).....	30-82
9F7	SHEILDS, STRAW CHOPPER DRIVE (640301-).....	121-78	1D17	SHORT BLOCK(6076HH003)(STD. HP)(LATE DESIGN -499999)(WITHOUT HEAD BOLTS).....	25-10
7C9	SHELL AND SEALS, RADIATOR.....	80-12	8H15	SHROUDS AND FANS, CLEANING.....	120-46
8C14	SHELL, FEEDER HOUSE-CONTOUR MASTER (660201-).....	110-12	8H17	SHROUDS AND FANS, CLEANING.....	120-48
7C7	SHELL, RADIATOR AND SEALS.....	80-10	7F19	SHROUDS, SEAT AND TRAINING SEAT.....	90-40
8F9	SHIELD BRACKETS AND CHAIN IDLERS, DRIVE (SIDEHILL).....	110-82	2E12	SHUT-OFF HOUSING SOLENOID (6076HH032) (ROBERT BOSCH).....	30-56
7D11	SHIELD, DRIVE, R.H. REAR.....	80-38	2E14	SHUT-OFF HOUSING SOLENOID (6076HH036).....	30-58
1E10	SHIELD, EXHAUST VALVE (ESN -499999).....	25-28	2E18	SHUT-OFF HOUSING SOLENOID (6076HH031) (RB) (LATE DESIGN F.I.P.).....	30-62
2D4	SHIELD, EXHAUST VALVE(ESN 500000-).....	30-22	2E20	SHUT-OFF HOUSING SOLENOID (6076HH035) (RB) (LATE DESIGN F.I.P.).....	30-64
4C22	SHIELD, FINAL DRIVE SUPPORT (SIDEHILL).....	50-17	7E9	SIDE AND REAR CAB SEALS.....	90-6
1F14	SHIELD, HEAT.....	25-58	3F12	SIDE FINDER LIGHTS (L.H. AND R.H.).....	40-81
8D17	SHIELD, INTAKE.....	110-40	6G12	SIDEHILL CHARGE PRESSURE HOSE.....	70-110
7D15	SHIELD, SERVICE ACCESS, L.H.....	80-42	8E20	SIDEHILL FEEDER CONVEYOR IDLER SHAFT, DRUM AND CHAIN.....	110-68
7D13	SHIELD, SERVICE ACCESS, R.H.....	80-40	8C12	SIDEHILL FEEDER HOUSE FRAME.....	110-10
5D19	SHIELD, TRASH, REAR AXLE.....	60-40	8D7	SIDEHILL LEVELING CABLES, SHEAVES AND BRACKETS.....	110-30
9I15	SHIELD, UPPER TAILINGS AUGER DRIVE.....	125-78	3G23	SIDEHILL LEVELING LIMIT SWITCH.....	40-116
9G23	SHIELDS AND HANDLES, CHAFF SPREADER (DUAL MOTOR) (650201-655714).....	125-38	3H5	SIDEHILL LEVELING ROCKER SWITCHES.....	40-122
9H1	SHIELDS AND HANDLES, CHAFF SPREADER (DUAL MOTOR) (655715-).....	125-40	3H1	SIDEHILL LEVELING WIRING HARNESS.....	40-118
7D7	SHIELDS, AUGER DRIVE (R.H.).....	80-34	9E3	SIEVE AND CHAFFER DRIVE, CONVEYOR AUGERS AND STRAW WALKER.....	121-50
8H19	SHIELDS, CLEANING FAN INTAKE (-643087).....	120-50	8I15	SIEVE ELEMENT.....	120-70
8H21	SHIELDS, CLEANING FAN INTAKE (643088-).....	120-52	8I17	SIEVE FRAME.....	120-72
8C8	SHIELDS, CONTOURMASTER FEEDER HOUSE (661186-).....	110-6	5D3	SIGNAL, TURN.....	60-24
7D9	SHIELDS, DRIVE, MUD AND FAN (L.H.).....	80-36	7H1	SIGNAL, TURN.....	90-72
4G21	SHIELDS, FINAL DRIVE SHAFT (RING AND PINION).....	50-118	6F1	SIX STACK SOLENOID CONTROL VALVE MODULE ASSEMBLY & MOUNTINGS (660201-).....	70-74
9G21	SHIELDS, HANDLES AND FRAME, CHAFF SPREADER (BELT TYPE) (-650200).....	125-36	5C21	SLAVE CYLINDER, BRAKE.....	60-18
4G22	SHIELDS, MUD (POWERED REAR WHEELS).....	50-119	8E16	SLIP CLUTCH, FRONT SHAFT - FEEDER HOUSE (SIDEHILL).....	110-64
7D23	SHIELDS, MUD (R.H. SIDE).....	80-50	8E12	SLIP CLUTCH,FEEDER HOUSE.....	110-60
9F5	SHIELDS, STRAW CHOPPER DRIVE (-640300).....	121-76	9D7	SLOW SPEED CYLINDER DRIVE.....	121-30
10D1	SHIELDS, UPPER CLEAN GRAIN ELEVATOR (-640528).....	130-24	3E13	SOLENOID.....	40-58
10D3	SHIELDS, UPPER CLEAN GRAIN ELEVATOR (640529-).....	130-26	6E8	SOLENOID CONTROL RELIEF VALVE MODULE.....	70-54
4D4	SHIFTER CAM AND HOUSING COVER TRANSMISSION AND DIFFERENTIAL.....	50-24	6E15	SOLENOID CONTROL VALVE AUGER SWING (650201-).....	70-62
4C25	SHIFTER FORKS, TRANSMISSION AND DIFFERENTIAL HOUSING.....	50-20	6E20	SOLENOID CONTROL VALVE - CONTOUR MASTER (660201-).....	70-68
1D23	SHIM, LINER.....	25-16	6E11	SOLENOID CONTROL VALVE BI-DIRECTIONAL MODULE, REEL LIFT AND CYLINDER SPEED.....	70-58
2C22	SHIM, LINER (6076).....	30-15	6E24	SOLENOID CONTROL VALVE BRACKETS.....	70-72
3F11	SHOE ADJUSTING LIGHT SWITCH.....	40-80	6E13	SOLENOID CONTROL VALVE DOUBLE PILOTED MODULE, AUGER SWING (-650200).....	70-60
8H8	SHOE GRAIN SUPPLY AUGER CLEANOUT DOOR, HANDLE AND LATCHES.....	120-39	6E16	SOLENOID CONTROL VALVE FOR REEL FORE/AFT (-650200).....	70-64
8H9	SHOE GRAIN SUPPLY AUGERS AND HOUSING.....	120-40	6E18	SOLENOID CONTROL VALVE FOR REEL FORE/AFT (650201-).....	70-66
8H11	SHOE GRAIN SUPPLY AUGERS AND HOUSING.....	120-42			
5C19	SHOES AND DRUM, BRAKE.....	60-16			

ALPHABETICAL INDEX - CONTINUED

GRID		PAGE	GRID		PAGE
6E22	SOLENOID CONTROL VALVE MODULE ASSEMBLY AND MOUNTINGS	70 - 70	9G7	SPROCKETS, DRIVE, STRAW CHOPPER (655101-)	125 - 22
6F1	SOLENOID CONTROL VALVE MODULE, 6 STACK ASSEMBLY & MOUNTINGS (660201-)	70 - 74	3E11	STARTER	40 - 56
6E9	SOLENOID CONTROL VALVE UNBALANCED LOAD MODULE (HEADER LIFT MODULE)	70 - 56	1H1	STARTER ARMATURE (ND) (NO. 028000-3292) (6076)(EARLY DESIGN)	25 - 97
6G9	SOLENOID CONTROL VALVE, ENGINE GEARCASE PRESSURE REGULATOR	70 - 106	1G25	STARTER COIL (ND) (NO. 028000-3292) (6076) (EARLY DESIGN)	25 - 96
1H2	SOLENOID SWITCH, STARTER (ND) (NO. 028000-3292) (EARLY DESIGN)	25 - 98	1G23	STARTER COMMUTATOR END FRAME (ND) (NO. 028000-3292) (6076)(EARLY DESIGN)	25 - 94
2F19	SOLENOID SWITCH, STARTER (6076)	30 - 88	1H1	STARTER DRIVE HOUSING (ND) (NO. 028000-3292) (6076)(EARLY DESIGN)	25 - 97
6G21	SOLENOID VALVE, LEVELING	70 - 120	1E3	STARTER GEAR	25 - 21
5C4	SOLENOID VALVE, PARKING BRAKE (-640200)	60 - 1	2D1	STARTER GEAR	30 - 19
4F5	SOLENOID, CONTROL VALVE	50 - 76	1G25	STARTER MAIN FRAME (ND) (NO. 028000-3292) (6076)(EARLY DESIGN)	25 - 96
3E11	SOLENOID, ETHER START	40 - 56	2F17	STARTER SOLENOID (12V F4)	30 - 86
2G9	SOLENOID, ETHER START (-656805)	32 - 8	1G21	STARTER SOLENOID (12V F4) (ESN 136851-499999)	25 - 92
2G11	SOLENOID, ETHER START (656806-)	32 - 10	2F16	STARTER SOLENOID COVER (DENSO)	30 - 85
6G19	SOLENOID, MAIN VALVE BLOCK	70 - 117	1G24	STARTER SOLENOID COVER KIT (EARLY DESIGN)	25 - 95
2E12	SOLENOID, SHUT-OFF HOUSING (6076HH032) (ROBERT BOSCH)	30 - 56	1H2	STARTER SOLENOID SWITCH (ND) (NO. 028000-3292) (EARLY DESIGN)	25 - 98
2E14	SOLENOID, SHUT-OFF HOUSING (6076HH036)	30 - 58	2F19	STARTER SOLENOID SWITCH (6076)	30 - 88
2E18	SOLENOID, SHUT-OFF HOUSING (6076HH031) (RB) (LATE DESIGN F.I.P.)	30 - 62	2G9	STARTING AID, COLD WEATHER (-656805)	32 - 8
2E20	SOLENOID, SHUT-OFF HOUSING (6076HH035) (RB) (LATE DESIGN F.I.P.)	30 - 64	2G11	STARTING AID, COLD WEATHER (656806-)	32 - 10
2F17	SOLENOID, STARTER (12V F4)	30 - 86	2E3	STARTING FITTINGS, ETHER (6076)	30 - 47
1G21	SOLENOID, STARTER (12V F4) (ESN 136851-499999)	25 - 92	2F16	STARTING MOTOR (DENSO) (12V F4)	30 - 85
6D16	SOLENOID, VALVE BLOCK, DIAL-A-MATIC, HEADER HEIGHT CONTROL	70 - 37	2F20	STARTING MOTOR (ND) (NO. 028000-3292) (EARLY DESIGN)	30 - 89
10E24	SOLENOID, VALVE BLOCK, DIAL-A-MATIC, HEADER HEIGHT CONTROL	160 - 3	1G19	STARTING MOTOR (ND) (NO. 028000-3292) (ESN -136850)	25 - 89
7E7	SOUND DEADENING, SEALS AND FOAM, CAB	90 - 4	1G20	STARTING MOTOR (ND) (12V F4) (ESN 136851-499999)	25 - 90
4C19	SPACERS, AXLE (RING AND PINION FINAL DRIVE)	50 - 14	4F1	STEERING ARMS	50 - 72
3D16	SPEAKERS, ANTENNA AND RADIO	40 - 36	3C21	STEERING COLUMN WIRING HARNESS (-646236)	40 - 16
9E9	SPEED CONTROL LINKAGE, FAN DRIVE (-640300)	121 - 56	3C23	STEERING COLUMN WIRING HARNESS (646237-)	40 - 18
9E11	SPEED CONTROL LINKAGE, FAN DRIVE (640301-655300)	121 - 58	5D5	STEERING COLUMN, LOWER	60 - 26
9E13	SPEED CONTROL LINKAGE, FAN DRIVE (655301-)	121 - 60	7H3	STEERING COLUMN, LOWER	90 - 74
9E15	SPEED CONTROL, FAN DRIVE SHEAVE LINKAGE	121 - 62	7H5	STEERING COLUMN, LOWER	90 - 76
3H6	SPEED SENSOR, FEEDER HOUSE BACKSHAFT	40 - 124	5D3	STEERING COLUMN, UPPER	60 - 24
8G24	SPIKE TOOTH CONCAVE	120 - 30	7H1	STEERING COLUMN, UPPER	90 - 72
8G20	SPIKE TOOTH THRESHING CYLINDER	120 - 26	5D17	STEERING CYLINDER	60 - 38
8G22	SPIKE-TOOTH CONCAVE	120 - 28	5D18	STEERING CYLINDER KIT	60 - 39
8H1	SPIKE-TOOTH FINGER GRATE	120 - 32	5D7	STEERING HOSES AND LINES, FRONT	60 - 28
5E4	SPINDLE HOUSING, ADJUSTABLE REAR AXLE	60 - 51	5D1	STEERING HOSES, HYDRAULIC, UPPER AND ATTENUATOR	60 - 22
5E3	SPINDLE HOUSING, REAR AXLE (FIXED AND ADJUSTABLE REAR AXLE)	60 - 50	5D13	STEERING LINES AND HOSES, REAR (DUAL CYLINDER)	60 - 34
5E1	SPINDLES, REAR AXLE (FIXED AND ADJUSTABLE REAR AXLE)	60 - 48	5D15	STEERING LINES AND HOSES, REAR (DUAL CYLINDER)	60 - 36
9H21	SPREADER CURTAIN	125 - 60	5D9	STEERING LINES, L.H.	60 - 30
9H23	SPREADER CURTAIN (641681-)	125 - 62	5D11	STEERING LINES, R.H.	60 - 32
6C12	SPREADER MOTOR, CHAFF (EATON) (655929-)	70 - 8	5C23	STEERING PUMP	60 - 20
9G15	SPREADER, STRAW	125 - 30	5E5	STEERING TIE RODS (FIXED REAR AXLE, NON-POWERED)	60 - 52
10F7	SPREADER, STRAW, BELTS	170 - 4	5E6	STEERING TIE RODS (FIXED REAR AXLE, 4-WHEEL DRIVE)	60 - 54
10C12	SPROCKET, SHEAVE AND ELEVATOR SHAFT, UPPER CLEAN GRAIN	130 - 10	5E7	STEERING TIE RODS (ADJUSTABLE REAR AXLE) (NON-POWERED, 4-WHEEL DRIVE REAR AXLE)	60 - 55
9I7	SPROCKETS, BEARINGS AND ELEVATOR CONVEYOR CHAIN, TAILINGS	125 - 70	5D21	STEP, REAR AXLE SUPPORT	60 - 42

ALPHABETICAL INDEX - CONTINUED

GRID		PAGE	GRID		PAGE
8F21	STONE TRAP, DOOR AND FEEDER HOUSE/ SEPARATOR SEAL.....	120 - 2	4C23	SUPPORT, HEADER LIFT (SIDEHILL).....	50 - 18
8F23	STONE TRAP, DOOR AND FEEDER HOUSE/ SEPARATOR SEAL.....	120 - 4	10D21	SUPPORT, HUB AND SWITCH, HORIZONTAL UNLOADING AUGER	130 - 44
2F22	STRAP, ALTERNATOR ADJUSTING	30 - 91	9I8	SUPPORT, LOWER TROUGH AND TAILINGS DRIVE BRACKET	125 - 71
1H4	STRAP, ALTERNATOR ADJUSTING (6076) (EARLY DESIGN)	25 - 100	9H7	SUPPORT, MOUNTING, CHAFF SPREADER.....	125 - 46
2F22	STRAP, ALTERNATOR SUPPORT.....	30 - 91	9H8	SUPPORT, MOUNTING, CHAFF SPREADER.....	125 - 47
1H4	STRAP, ALTERNATOR SUPPORT (6076) (EARLY DESIGN)	25 - 100	5D21	SUPPORT, REAR AXLE	60 - 42
1E13	STRAPS, ENGINE LIFT.....	25 - 31	1C9	SUPPORT, REAR, 6076 (655552-)	20 - 13
2D8	STRAPS, ENGINE LIFT.....	30 - 26	10D19	SUPPORT, SWIVEL AND BRACES, AUGER	130 - 42
10F7	STRAW CHOPPER BELTS.....	170 - 4	7E19	SUPPORTS AND CAB ROOF.....	90 - 16
9F12	STRAW CHOPPER DECK, SUPPORTS AND FINS	125 - 2	9D3	SUPPORTS AND VARIABLE SHEAVE, PRIMARY COUNTERSHAFT	121 - 26
9G11	STRAW CHOPPER DOOR	125 - 26	2G3	SUPPORTS, FITTINGS AND FUEL TANK.....	32 - 2
9F5	STRAW CHOPPER DRIVE SHIELDS (-640300).....	121 - 76	1C8	SUPPORTS, REAR, 6076 (640201-655551)	20 - 12
9F7	STRAW CHOPPER DRIVE SHIELDS (640301-)	121 - 78	8F3	SUPPORTS, UPPER COUNTERSHAFT AND SHEAVES VARIABLE DRIVE	110 - 76
9G7	STRAW CHOPPER DRIVE SPROCKETS (655101-)	125 - 22	4E11	SWASH PLATE, HYDROSTATIC DRIVE MOTOR.....	50 - 56
9E21	STRAW CHOPPER DRIVES (FRONT)	121 - 68	4E3	SWASHPLATE,CYLINDERS, DRIVE PUMP,HOUSING AND SERVO CYLINDERS,(RING AND PINION).....	50 - 48
9F1	STRAW CHOPPER DRIVES (REAR)	121 - 72	6F17	SWING, UNLOADING AUGER, HYDRAULIC CYLINDER KIT	70 - 90
9G3	STRAW CHOPPER HOUSING (-655100)	125 - 18	2F17	SWITCH (DENSO) (12V F4)	30 - 86
9G1	STRAW CHOPPER HOUSING AND KNIFEBANK (-655100)	125 - 16	1G21	SWITCH (DENSO) (12V F4) (ESN 136851-499999)	25 - 92
9G5	STRAW CHOPPER HOUSING AND KNIFEBANK (655101-)	125 - 20	2F17	SWITCH (STARTER) (12V F4)	30 - 86
9G3	STRAW CHOPPER KNIFEBACK (-655100)	125 - 18	10D21	SWITCH AND HUB SUPPORT, HORIZONTAL UNLOADING AUGER	130 - 44
9F14	STRAW CHOPPER ROTOR AND SHEAVE	125 - 4	3E9	SWITCH, A/C HIGH PRESSURE	40 - 54
9F22	STRAW CHOPPER ROTOR, FINE CUT (PADDLED NARROW (670492-)	125 - 12	3D5	SWITCH, A/C THERMOSTAT	40 - 24
9F20	STRAW CHOPPER ROTOR, FINE CUT (STRAIGHT NARROW (670492-)	125 - 10	3D9	SWITCH, AIR CONDITIONER AND HEATER	40 - 28
9F24	STRAW CHOPPER, ROTOR AND SHEAVE	125 - 14	3C9	SWITCH, AUX FIELD LIGHTS, OPTIONAL	40 - 4
9F16	STRAW CHOPPER, TRI ROTOR (645101-655100)	125 - 6	4C7	SWITCH, DRIVE LEVER AND CABLE HYDROSTATIC	50 - 2
9F18	STRAW CHOPPER, TRI ROTOR (655101-).....	125 - 8	7G16	SWITCH, ENGINE NEUTRAL SAFETY START SWIT CH	90 - 62
9C4	STRAW CHOPPER, UNLOADING DRIVE AND SEPARATOR DRIVE GEAR- ENGINE GEARCASE ..	121 - 2	3E11	SWITCH, ENGINE OIL PRESSURE	40 - 56
9C6	STRAW CHOPPER, UNLOADING DRIVE AND SEPARATOR DRIVE GEAR, ENGINE GEARCASE ..	121 - 4	3E11	SWITCH, ENGINE TEMP	40 - 56
9G15	STRAW SPREADER	125 - 30	3E11	SWITCH, GEARCASE TEMP	40 - 56
8J5	STRAW SPREADER DRIVE, SHIELD AND STRAW WALKER CRANKS	120 - 84	3E20	SWITCH, HORIZONTAL UNLOADING AUGER	40 - 65
9G13	STRAW SPREADER MOUNTING AND GUARD	125 - 28	10D22	SWITCH, HORIZONTAL UNLOADING AUGER	130 - 45
3E3	STRAW WALKER (PLUGGING) SENSING SWITCH	40 - 48	3E9	SWITCH, HYD. OIL TEMP	40 - 54
8J1	STRAW WALKER BEARING KIT (650201-665200)	120 - 80	3E17	SWITCH, INLET AIR TEMPERATURE	40 - 62
8J3	STRAW WALKER BEARING KIT (665201-)	120 - 82	5D3	SWITCH, KEY START	60 - 24
8I23	STRAW WALKER BEARINGS (-650200)	120 - 78	7H1	SWITCH, KEY START	90 - 72
8J5	STRAW WALKER CRANKS,STRAW SPREADER DRIVE AND SHIELD	120 - 84	3H3	SWITCH, LEVEL SENSING CONTROL	40 - 120
9D23	STRAW WALKER DRIVE GEARCASE.....	121 - 46	3F11	SWITCH, LIGHT, SHOE ADJUSTING	40 - 80
9E1	STRAW WALKER DRIVE GEARCASE.....	121 - 48	3C9	SWITCH, LIGHTS AND WIPER	40 - 4
9E3	STRAW WALKER, CONVEYOR AUGERS, SIEVE AND CHAFFER DRIVE	121 - 50	3G23	SWITCH, LIMIT, SIDEHILL LEVELING.....	40 - 116
8I21	STRAW WALKERS	120 - 76	3D1	SWITCH, LOW PRESSURE	40 - 20
3G16	SUPPLEMENTARY TERMINALS AND CONNECTORS	40 - 109	3D20	SWITCH, MANUAL PARK BRAKE	40 - 40
5C22	SUPPORT BRACKET, BRAKE CABLE (645231-)	60 - 19	3C19	SWITCH, MANUAL REEL SPEED	40 - 14
4C22	SUPPORT SHIELD, FINAL DRIVE (SIDEHILL)	50 - 17	5C9	SWITCH, PARKING BRAKE (-640200)	60 - 6
3F19	SUPPORT, ELECTRONIC CONTROL UNIT MOUNTING	40 - 88	5C11	SWITCH, PARKING BRAKE MOMENTARY.....	60 - 8
			4C7	SWITCH, PLATFORM REEL LIFT	50 - 2
			3D22	SWITCH, PRESSURE	40 - 42
			4C7	SWITCH, REEL LIFT/CONTOUR MASTER	50 - 2
			3C19	SWITCH, RELL FORE/AFT	40 - 14
			3E3	SWITCH, SENSING, STRAW WALKER PLUGGING.....	40 - 48
			1H2	SWITCH, STARTER SOLENOID (ND) (NO. 028000-3292) (EARLY DESIGN)	25 - 98
			2F19	SWITCH, STARTER SOLENOID (6076).....	30 - 88
			3E5	SWITCH, UNLOADING AUGER	40 - 50
			3E19	SWITCH, UNLOADING AUGER LIMIT	40 - 64

ALPHABETICAL INDEX - CONTINUED

GRID		PAGE	GRID		PAGE
3E15	SWITCH, WARNING, PLUGGED AIR FILTER.....	40-60	9E5	TIGHTENER AND BEATER DRIVE SHEAVES	121-52
3H5	SWITCHES, ROCKER, SIDEHILL LEVELING	40-122	9I1	TIGHTENER, AUGER AND SHAFT, LOWER TAILINGS	125-64
10D19	SWIVEL SUPPORT AND BRACES, AUGER	130-42	9D13	TIGHTENER, CYLINDER DRIVE, DUAL-RANGE	121-36
10D17	SWIVEL, HORIZONTAL UNLOADING AUGER	130-40	8E3	TIGHTENER, DRIVE, VARIABLE SPEED	110-50
7H11	SYSTEM, AIR CONDITIONING.....	90-82	10C24	TIGHTENER, ELEVATOR DRIVE AND IDLER, CLEAN GRAIN.....	130-22
7I1	SYSTEM, HEATER	90-98	9E17	TIGHTENER, FEEDER HOUSE DRIVE	121-64
T					
3C11	TACHOMETER.....	40-6	8E22	TIGHTENER, GUIDES AND FEEDER CONVEYOR DRIVE CHAIN	110-70
7F13	TACHOMETER.....	90-34	8E24	TIGHTENER, GUIDES AND FEEDER CONVEYOR DRIVE CHAIN (SIDEHILL)	110-72
3C14	TAIL AND TURN LIGHTS, FRONT AND REAR	40-9	8D11	TIGHTENER, GUIDES AND FEEDER CONVEYOR DRIVE CHAIN-RETROFIT INSTALLATION	110-34
9I8	TAILINGS DRIVE BRACKET AND LOWER TROUGH SUPPORT	125-71	9I9	TIGHTENER, LOWER TAILINGS AUGER CHAIN.....	125-72
9I7	TAILINGS ELEVATOR CONVEYOR CHAIN, SPROCKETS AND BEARINGS	125-70	9I11	TIGHTENER, LOWER TAILINGS AUGER DRIVE	125-74
9I5	TAILINGS ELEVATOR HOUSING.....	125-68	8C16	TILT BEAM, FEEDER HOUSE, CONTOUR MASTER (660201-)	110-14
9I13	TAILINGS, UPPER, AUGER HOUSING AND PADDLE ASSEMBLY	125-76	6F19	TILT CYLINDER - CONTOUR MASTER	70-92
9I10	TAILINGS, UPPER, DRIVE CHAIN TIGHTENER.....	125-73	6F20	TILT CYLINDER HOSES AND FITTINGS - CONTOUR MASTER.....	70-93
10E11	TANK CROSS AUGER, GRAIN	130-58	2D2	TIMING GEAR COVER (ESN 500000-)	30-20
10D11	TANK EXTENSIONS, GRAIN	130-34	1E4	TIMING GEAR COVER (HH003) (EARLY DESIGN)	25-22
2G7	TANK FUEL LINES AND FITTINGS	32-6	1E5	TIMING GEAR COVER (TH001, HH001, HH004) (ESN -499999)	25-23
3E19	TANK WIRING HARNESS, GRAIN, LIGHT, LIMIT SWITCH AND LEVEL MONITOR	40-64	2D2	TIMING GEAR COVER GASKET (ESN 500000-).....	30-20
10D7	TANK, BASE, GRAIN.....	130-30	1E5	TIMING GEAR COVER GASKET (TH0010,HH001,HH004)(ESN -499999).....	25-23
2G21	TANK, COOLANT RECOVERY.....	32-20	1E4	TIMING GEAR COVER GASKET (HH003) (EARLY DESIGN)	25-22
3E21	TANK, GRAIN DUAL LEVEL MONITOR HARNESS AND UNLOADING AUGER LIGHT.....	40-66	7F3	TOOL BOX (660201-)	90-24
10C20	TANK, GRAIN, SAMPLING TROUGH.....	130-18	10G14	TOP DECALS.....	170-36
2G3	TANK, SUPPORTS AND FITTINGS, FUEL	32-2	10D5	TOP, GRAIN TANK	130-28
10D5	TANK, TOP, GRAIN.....	130-28	1D8	TORQ-GARD ENGINE OIL	25-1
3C11	TEMPERATURE GAUGE	40-6	2C8	TORQ-GARD ENGINE OIL	30-1
7F13	TEMPERATURE GAUGE	90-34	7F19	TRAINING SEAT AND SEAT SHROUDS.....	90-40
3E11	TEMPERATURE SENDING UNIT, ENGINE.....	40-56	1G1	TRANSFER PUMP (ENGINE) (HH003) (LATE DESIGN STD. HP ENGINE) (149284-499999)	25-70
2E12	TEMPERATURE SENSOR (ROBERT BOSCH) (6076HH032)	30-56	1F24	TRANSFER PUMP (ENGINE) (TH001) (EARLY DESIGN STD. HP ENGINE).....	25-68
2E18	TEMPERATURE SENSOR (6076HH031) (ROBERT BOSCH) (LATE DESIGN F.I.P.)	30-62	1G3	TRANSFER PUMP (HH004) (EARLY DESIGN ENGINE).....	25-72
2E20	TEMPERATURE SENSOR (6076HH035) (ROBERT BOSCH) (LATE DESIGN F.I.P.)	30-64	2F1	TRANSFER PUMP, FUEL (DENSO) (ESN 500000-538145) (6076HH031)	30-70
2E14	TEMPERATURE SENSOR (6076HH036).....	30-58	2E25	TRANSFER PUMP, FUEL (RB(ESN 5000000-) (6076HH030, HH032, HH034, HH036).....	30-69
3E17	TEMPERATURE SWITCH, INLET AIR.....	40-62	2F2	TRANSFER PUMP, FUEL (ROBERT BOSCH) (ESN 538146-) (6076HH031)	30-71
3G5	TERMINAL AND WIRING KIT.....	40-98	1G5	TRANSFER PUMP, FUEL (ROBERT BOSCH) (HH001/HH004) (ESN -499999)	25-74
3F23	TERMINALS AND CONNECTORS, WEATHERPACK.....	40-92	1G9	TRANSFER PUMP, FUEL (ROBERT BOSCH) (HH004) (ESN -499999)	25-78
3G16	TERMINALS, SUPPLEMENTARY, AND CONNECTORS	40-109	1G6	TRANSFER PUMP, FUEL (TH001, HH003) (ND) (ESN -499999)	25-75
2D18	THERMOSTAT HOUSING, FRONT (ESN 500000-).....	30-36	3H3	TRANSISTOR, LEVEL SENSING CONTROL.....	40-120
1F5	THERMOSTAT HOUSING, FRONT (EARLY DESIGN ENGINE) (TH001,HH001,HH004)	25-48	10C14	TRANSITION, AUGER HOUSING.....	130-12
1F6	THERMOSTAT HOUSING, FRONT (HH003) (ESN -499999).....	25-49	4D1	TRANSMISSION (656550-)	50-21
3D5	THERMOSTAT KIT, AIR CONDITIONER (630201-640200)	40-24	4D4	TRANSMISSION AND DIFFERENTIAL HOUSING COVER AND SHIFTER CAM	50-24
8F20	THRUSHING CYLINDER COVER.....	120-1	4C25	TRANSMISSION AND DIFFERENTIAL HOUSING, SHIFTER FORKS	50-20
8G11	THRUSHING CYLINDER, RASP BAR	120-16	4D5	TRANSMISSION INPUT SHAFT, GEARS, LUBE PUMP AND BEARINGS	50-26
8G20	THRUSHING CYLINDER, SPIKE TOOTH	120-26			
1E1	THRUST BEARING	25-19			
2C24	THRUST BEARING (6076)	30-17			
5D17	TIE ROD, STEERING CYLINDER.....	60-38			
5E5	TIE RODS, STEERING (FIXED REAR AXLE, NON-POWERED)	60-52			
5E6	TIE RODS, STEERING (FIXED REAR AXLE, 4-WHEEL DRIVE)	60-54			
5E7	TIE RODS,STEERING (ADJUSTABLE REAR AXLE) (NON-POWERED, 4-WHEEL DRIVE REAR AXLE)....	60-55			

ALPHABETICAL INDEX - CONTINUED

GRID		PAGE	GRID		PAGE
4D7	TRANSMISSION PINION SHAFT, GEARS AND BEARINGS.....	50 - 28	6F15	UNLOADING AUGER SWING HYDRAULIC CYLINDER (656569-).....	70 - 88
1C10	TRANSMISSION-ENGINE COUPLING WITH HUB	20 - 14	6F7	UNLOADING AUGER SWING HYDRAULIC CYLINDER LINES AND HOSES	70 - 80
3G19	TRANSPORT WARNING LIGHTS.....	40 - 112	6F13	UNLOADING AUGER SWING HYDRAULIC MOUNTING (650201-656568)	70 - 86
8F21	TRAP, STONE	120 - 2	6F15	UNLOADING AUGER SWING HYDRAULIC MOUNTING (656569-).....	70 - 88
8F23	TRAP, STONE	120 - 4	10D17	UNLOADING AUGER SWIVEL, HORIZONTAL	130 - 40
5D19	TRASH SHIELD, REAR AXLE	60 - 40	10E20	UNLOADING AUGER UPPER LUBE BANK.....	130 - 68
9F16	TRI ROTOR STRAW CHOPPER (645101-655100).....	125 - 6	6F9	UNLOADING DRIVE CYLINDER, GRAIN TANK	70 - 82
9F18	TRI ROTOR STRAW CHOPPER (655101-)	125 - 8	9C4	UNLOADING DRIVE, STRAW CHOPPER AND SEPARATOR DRIVE GEAR- ENGINE GEARCASE ..	121 - 2
7E11	TRIM PANELS, CAB INTERIOR	90 - 8	9C6	UNLOADING DRIVE, STRAW CHOPPER AND SEPARATOR DRIVE GEAR, ENGINE GEARCASE ..	121 - 4
9I8	TROUGH SUPPORT, LOWER AND TAILINGS DRIVE BRACKET	125 - 71	10F8	UNLOADING SYSTEM BELTS	170 - 5
9I3	TROUGH, AUGER, LOWER TAILINGS	125 - 66	10C10	UPPER CLEAN GRAIN ELEVATOR.....	130 - 8
1D13	TUBE, DIPSTICK	25 - 6	10C12	UPPER CLEAN GRAIN ELEVATOR SHAFT, SPROCKET AND SHEAVE.....	130 - 10
2C21	TUBE, ENGINE OIL DIPSTICK (ESN 500000-).....	30 - 14	10D1	UPPER CLEAN GRAIN ELEVATOR SHIELDS (-640528)	130 - 24
1E8	TUBE, ENGINE OIL DIPSTICK (EARLY DESIGN) (ESN -499999).....	25 - 26	10D3	UPPER CLEAN GRAIN ELEVATOR SHIELDS (640529-).....	130 - 26
2G15	TUBES, AIR INTAKE ENGINE (6076, HH032) (645201-)	32 - 14	10C14	UPPER CLEAN GRAIN LOADING AUGER HOUSING ..	130 - 12
2D22	TURBOCHARGER (ESN 500000-).....	30 - 40	10C16	UPPER CLEAN GRAIN LOADING AUGER HOUSING (660201-).....	130 - 14
1F10	TURBOCHARGER (EARLY DESIGN) (ESN -499999).....	25 - 54	8F3	UPPER COUNTERSHAFT, SHEAVES AND SUPPORTS VARIABLE DRIVE	110 - 76
2D25	TURBOCHARGER CENTER HOUSING (AIRESEARCH)	30 - 43	8F5	UPPER DRIVE SHAFT, SHEAVE AND MOUNTINGS (FIXED SPEED WITH REVERSER).....	110 - 78
1F13	TURBOCHARGER CENTER HOUSING (AIRESEARCH) (ESN -499999).....	25 - 57	4G3	UPPER HYDROSTATIC DRIVE HOSES (FOUR WHEEL DRIVE)(-655200).....	50 - 100
2E1	TURBOCHARGER CENTER HOUSING (SCHWITZER)	30 - 44	4G5	UPPER HYDROSTATIC DRIVE HOSES (FOUR WHEEL DRIVE)(655201-)	50 - 102
1F12	TURBOCHARGER CENTER HOUSING (SCHWITZER) (ESN -499999).....	25 - 56	10E20	UPPER LUBE BANK, UNLOADING AUGER	130 - 68
1F10	TURBOCHARGER GASKET	25 - 54	3E9	UPPER PARTS, HARNESS 6076 ENGINE	40 - 54
2D22	TURBOCHARGER GASKET	30 - 40	8E14	UPPER SHAFT AND PIVOT HOUSING	110 - 62
2D22	TURBOCHARGER OIL LINES (ESN 500000-).....	30 - 40	8E8	UPPER SHAFT, FEEDER HOUSE (-643900)	110 - 56
1F10	TURBOCHARGER OIL LINES (EARLY DESIGN) (ESN -499999).....	25 - 54	8E10	UPPER SHAFT, FEEDER HOUSE (643901-)	110 - 58
3C14	TURN AND TAIL LIGHTS, FRONT AND REAR	40 - 9	5D3	UPPER STEERING COLUMN.....	60 - 24
5D3	TURN SIGNAL	60 - 24	7H1	UPPER STEERING COLUMN.....	90 - 72
7H1	TURN SIGNAL	90 - 72	10F8	UPPER TAILINGS AUGER BELT	170 - 5
U			9I15	UPPER TAILINGS AUGER DRIVE	125 - 78
1D10	UNDERHAUL KIT, ENGINE (STD BEARINGS)	25 - 3	9I13	UPPER TAILINGS AUGER HOUSING AND PADDLE ASSEMBLY	125 - 76
2C10	UNDERHAUL KIT, ENGINE (STD BRGS) (6076)	30 - 3	9I15	UPPER TAILINGS AUGER, DRIVE AND SHIELD.....	125 - 78
10D15	UNLOADING AUGER AND CHARGE HOUSING, VERTICAL	130 - 38	9I10	UPPER TAILINGS DRIVE CHAIN TIGHTENER.....	125 - 73
10F7	UNLOADING AUGER BELTS	170 - 4	7C3	UPRIGHT REINFORCEMENT KIT, NO. 1	80 - 6
10E15	UNLOADING AUGER COUNTERSHAFT DRIVE	130 - 62	7C4	UPRIGHT REINFORCEMENT KIT, NO. 5	80 - 7
10E17	UNLOADING AUGER DRIVE BELT GUIDE.....	130 - 64	V		
10E3	UNLOADING AUGER HOUSING, HORIZONTAL (EXPORT) (17 AND 20 FT.)	130 - 50	10E23	VALVE BLOCK AND HYDRAULIC LINE, DIAL-A-MATIC HEADER HEIGHT CONTROL	160 - 2
10E1	UNLOADING AUGER HOUSING, HORIZONTAL (20 FT.)	130 - 48	6D16	VALVE BLOCK SOLENOID, DIAL-A-MATIC, HEADER HEIGHT CONTROL	70 - 37
3E21	UNLOADING AUGER LIGHT AND GRAIN TANK DUAL LEVEL MONITOR HARNESS	40 - 66	10E24	VALVE BLOCK SOLENOID, DIAL-A-MATIC, HEADER HEIGHT CONTROL	160 - 3
10E18	UNLOADING AUGER LOWER LUBE BANK	130 - 66	6G19	VALVE BLOCK SOLENOID, MAIN	70 - 117
3E5	UNLOADING AUGER SENSOR AND WIRING HARNESS (660201-).....	40 - 50	6F1	VALVE MODULE, SIX STACK SOLENOID CONTROL ASSEMBLY & MOUNTINGS (660201-)	70 - 74
6F11	UNLOADING AUGER SWING CYLINDER AND MOUNTING (-650200)	70 - 84	1E10	VALVE SEAT INSERTS (ESN -499999)	25 - 28
6F17	UNLOADING AUGER SWING HYDRAULIC CYLINDER KIT	70 - 90	2D4	VALVE SEAT INSERTS (ESN 500000-)	30 - 22
6F13	UNLOADING AUGER SWING HYDRAULIC CYLINDER (650201-656568)	70 - 86			

ALPHABETICAL INDEX - CONTINUED

GRID		PAGE	GRID		PAGE
6E15	VALVE, AUGER SWING SOLENOID CONTROL (650201-)	70 - 62	8F3	VARIABLE DRIVE UPPER COUNTERSHAFT, SHEAVES AND SUPPORTS	110 - 76
6E13	VALVE, AUGER SWING, DOUBLE PILOTED, SOLENOID CONTROL VALVE (-650200)	70 - 60	8E1	VARIABLE FRONT SHAFT WITH REVERSER	110 - 48
5C17	VALVE, BRAKE MASTER CYLINDER	60 - 14	9D3	VARIABLE SHEAVE AND SUPPORTS, PRIMARY COUNTERSHAFT	121 - 26
4E3	VALVE, CHECK - HYDROSTATIC DRIVE	50 - 48	8E3	VARIABLE SPEED DRIVE TIGHTENER	110 - 50
4G3	VALVE, CHECK - HYDROSTATIC DRIVE HOSES	50 - 100	10D13	VERTICAL AUGER LOWER GEAR CASE	130 - 36
4G5	VALVE, CHECK - HYDROSTATIC DRIVE HOSES	50 - 102	10D15	VERTICAL UNLOADING AUGER AND CHARGE HOUSING	130 - 38
4F3	VALVE, CONTROL (4WD)	50 - 74	3F1	VOLTAGE REGULATOR, ALTERNATOR (90 AMP) MOTOROLA-PRESTOLITE (-645145)	40 - 70
4F4	VALVE, CONTROL (4WD) (655201-)	50 - 75	3F5	VOLTAGE REGULATOR, ALTERNATOR (95 AMP) BOSCH (637628-)	40 - 74
6G20	VALVE, FLOW DIVIDER	70 - 118	W		
2F9	VALVE, FUEL CHECK (ESN 500000-) (HH030, HH032, HH034, HH036)	30 - 78	10F5	WALKER BELTS	170 - 2
2F11	VALVE, FUEL CHECK (HH031 OR HH035)	30 - 80	8I21	WALKERS, STRAW	120 - 76
1G13	VALVE, FUEL CHECK (6076) (ESN -499999)	25 - 82	3G19	WARNING LIGHTS, TRANSPORT	40 - 112
2G3	VALVE, FUEL TANK DRAIN	32 - 2	3E15	WARNING SWITCH, PLUGGED AIR FILTER	40 - 60
2G7	VALVE, FUEL TANK DRAIN	32 - 6	3D14	WASHER, WINDSHIELD	40 - 34
4E9	VALVE, HYDROSTATIC DRIVE DISPLACEMENT CONTROL (RING AND PINION)	50 - 54	1F5	WATER MANIFOLD GASKET (EARLY DESIGN ENGINE) (TH001,HH001,HH004)	25 - 48
4E14	VALVE, HYDROSTATIC MOTOR (RING AND PINION)	50 - 59	2D18	WATER MANIFOLD GASKET (ESN 500000-)	30 - 36
6G18	VALVE, LEVELING	70 - 116	1F6	WATER MANIFOLD GASKET (HH003) (ESN -499999)	25 - 49
1E20	VALVE, OIL COOLER BYPASS (ESN -156313)	25 - 38	1F5	WATER MANIFOLD, FRONT (EARLY DESIGN ENGINE) (TH001,HH001,HH004)	25 - 48
1E21	VALVE, OIL COOLER BYPASS (ESN 156314-499999)	25 - 39	2D18	WATER MANIFOLD, FRONT (ESN 500000-)	30 - 36
2D12	VALVE, OIL FILTER BYPASS (ESN 500000-)	30 - 30	1F6	WATER MANIFOLD, FRONT (HH003) (ESN -499999)	25 - 49
1E22	VALVE, OIL FILTER BYPASS (EARLY DESIGN) (ESN -499999)	25 - 40	1E24	WATER PUMP (EARLY DESIGN) (ESN -499999)	25 - 42
1F15	VALVE, OIL PAN DRAIN	25 - 59	2D14	WATER PUMP (ESN 500000-)	30 - 32
2D17	VALVE, OIL PAN DRAIN	30 - 35	1E24	WATER PUMP BEARING (EARLY DESIGN) (ESN -499999)	25 - 42
1E22	VALVE, OIL PRESSURE REGULATING (ESN -499999)	25 - 40	2D14	WATER PUMP BEARING (ESN 500000-)	30 - 32
2D12	VALVE, OIL PRESSURE REGULATING (ESN 500000-)	30 - 30	1E24	WATER PUMP GASKET (EARLY DESIGN) (ESN -499999)	25 - 42
5C4	VALVE, PARKING BRAKE (-640200)	60 - 1	2D14	WATER PUMP GASKET (ESN 500000-)	30 - 32
5C9	VALVE, PARKING BRAKE (-640200)	60 - 6	1E24	WATER PUMP IMPELLER (EARLY DESIGN) (ESN -499999)	25 - 42
5C4	VALVE, PARKING BRAKE SOLENOID (-640200)	60 - 1	2D14	WATER PUMP IMPELLER (ESN 500000-)	30 - 32
9H13	VALVE, PUMP, LINES AND HOSES, CHAFF SPREADER	125 - 52	1F4	WATER PUMP INLET HOUSING (EARLY DESIGN) (ESN -499999)	25 - 47
2G19	VALVE, RADIATOR DRAIN	32 - 18	2D16	WATER PUMP REPAIR KIT (ESN 500000-)	30 - 34
6C10	VALVE, REEL DRIVE FLOW CONTROL	70 - 6	1F1	WATER PUMP REPAIR KIT (EARLY DESIGN) (ESN -499999)	25 - 44
4E7	VALVE, RELIEF - HYDROSTATIC DRIVE PUMP	50 - 52	1E24	WATER PUMP SEAL (EARLY DESIGN) (ESN -499999)	25 - 42
3E11	VALVE, SHUT-OFF	40 - 56	2D14	WATER PUMP SEAL (ESN 500000-)	30 - 32
4F5	VALVE, SOLENOID CONTROL	50 - 76	2G5	WATER SEPARATOR	32 - 4
6E20	VALVE, SOLENOID CONTROL - CONTOUR MASTER (660201-)	70 - 68	8C14	WEAR PLATES, FEEDER HOUSE - CONTOUR MASTER (660201-)	110 - 12
6E22	VALVE, SOLENOID CONTROL MODULE ASSEMBLY AND MOUNTINGS	70 - 70	3F23	WEATHERPACK TERMINALS AND CONNECTORS	40 - 92
6E8	VALVE, SOLENOID CONTROL RELIEF - CONTOUR MASTER	70 - 54	7E15	WEATHERSTRIP, CAB DOOR	90 - 12
6E11	VALVE, SOLENOID CONTROL, CYLINDER SPEED AND REEL LIFT BI-DIRECTIONAL MODULE	70 - 58	1E24	WEEP HOLE FILTER (WATER PUMP) (EARLY DESIGN) (ESN -499999)	25 - 42
6E9	VALVE, SOLENOID CONTROL, HEADER LIFT MODULE	70 - 56	2D14	WEEP HOLE FILTER (WATER PUMP) (ESN 500000-)	30 - 32
1E10	VALVES, EXHAUST (ESN -499999)	25 - 28	6F21	WET CLUTCH OIL COOLER LINES AND HOSES (-640200)	70 - 94
2D4	VALVES, EXHAUST (ESN 500000-)	30 - 22	6F23	WET CLUTCH OIL COOLER LINES AND HOSES (640201-665200)	70 - 96
1E10	VALVES, INTAKE (ESN -499999)	25 - 28			
2D4	VALVES, INTAKE (ESN 500000-)	30 - 22			
6C13	VARIABLE DRIVE HYDRAULIC HOSE, FEEDER HOUSE	70 - 9			

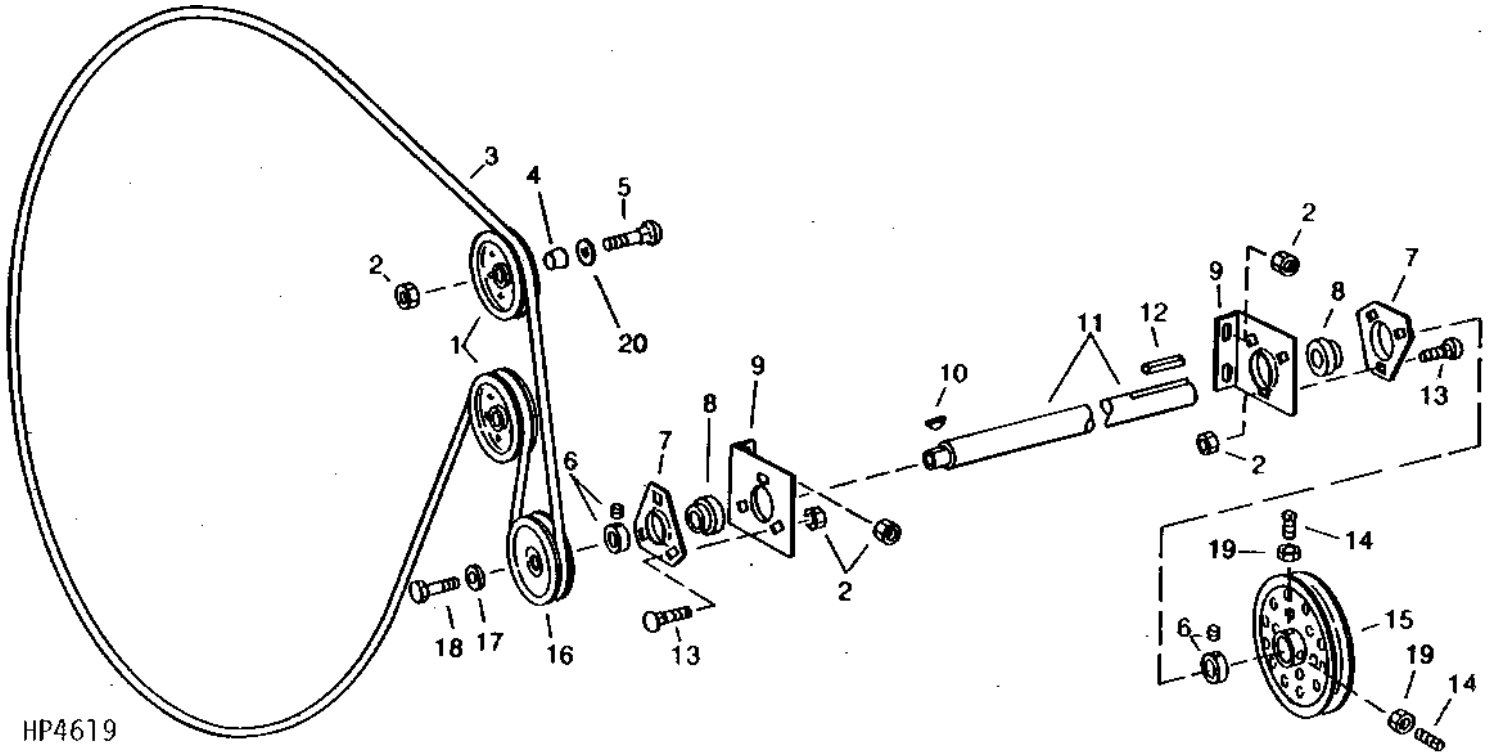
ALPHABETICAL INDEX - CONTINUED

GRID		PAGE	GRID	PAGE
6G1	WET CLUTCH OIL COOLER LINES AND HOSES (665201-)	70 - 98		
5E8	WHEEL WEIGHTS AND REAR WHEELS	60 - 56		
4C15	WHEEL, HIGH FLOATATION DRIVE	50 - 10		
4C13	WHEELS, DRIVE	50 - 8		
4C14	WHEELS, DRIVE	50 - 9		
5E10	WHEELS, REAR (4-WHEEL DRIVE/CAM LOBE MOTOR)	60 - 58		
5E8	WHEELS, REAR, AND WHEEL WEIGHTS	60 - 56		
4C16	WHEELS, WIDE-SPACED DUAL	50 - 11		
4C16	WIDE-SPACED DUAL WHEELS	50 - 11		
3D14	WINDSHIELD WASHER	40 - 34		
3D10	WINDSHIELD WIPER (LONG)	40 - 30		
9H5	WINGS, SEALS AND PAN, CHAFF SPREADER (DUAL MOTOR) (650201-)	125 - 44		
3D12	WIPER (SHORT)	40 - 32		
3C9	WIPER SWITCH, OVERHEAD CONSOLE PANEL	40 - 4		
3D12	WIPER, WINDSHEILD (SHORT)	40 - 32		
3D10	WIPER, WINDSHIELD (LONG)	40 - 30		
3G5	WIRING AND TERMINAL KIT	40 - 98		
1G3	WIRING HARNESS (HH004) (EARLY DESIGN ENGINE)	25 - 72		
2E12	WIRING HARNESS (ROBERT BOSCH) (6076HH032)	30 - 56		
1F24	WIRING HARNESS (TH001) (EARLY DESIGN STD. HP ENGINE)	25 - 68		
2E4	WIRING HARNESS (6076HH030, HH032)	30 - 48		
2E18	WIRING HARNESS (6076HH031) (ROBERT BOSCH) (LATE DESIGN F.I.P.)	30 - 62		
2E10	WIRING HARNESS (6076HH032) (EARLY DESIGN)	30 - 54		
2E20	WIRING HARNESS (6076HH035) (ROBERT BOSCH) (LATE DESIGN F.I.P.)	30 - 64		
2E14	WIRING HARNESS (6076HH036)	30 - 58		
3D22	WIRING HARNESS ADAPTER (CONTOUR MASTER) ..	40 - 42		
6C6	WIRING HARNESS AND PRESSURE GAUGE, ACCUMULATOR	70 - 2		
3E11	WIRING HARNESS 6076, ENGINE, (LOWER PART S)	40 - 56		
3D7	WIRING HARNESS, A/C PRESSURIZER FAN KIT	40 - 26		
3D3	WIRING HARNESS, A/C, HEATER AND AIR SEAT (660201-)	40 - 22		
3F4	WIRING HARNESS, ALTERNATOR	40 - 73		
3C17	WIRING HARNESS, ARMREST	40 - 12		
3H6	WIRING HARNESS, BACKSHAFT SPEED SENSOR (SIDEHILL)	40 - 124		
3C7	WIRING HARNESS, CAB	40 - 2		
3C15	WIRING HARNESS, FIELD LIGHTING	40 - 10		
3D24	WIRING HARNESS, MAIN, L.H. AND R.H. REAR	40 - 44		
3D22	WIRING HARNESS, MAIN, L.H. CENTER	40 - 42		
3D18	WIRING HARNESS, MAIN, L.H. FRONT	40 - 38		
3D20	WIRING HARNESS, MAIN, L.H. FRONT	40 - 40		
3E1	WIRING HARNESS, R.H. MAIN	40 - 46		
3H1	WIRING HARNESS, SIDEHILL LEVELING	40 - 118		
3C21	WIRING HARNESS, STEERING COLUMN (-646236)	40 - 16		
3C23	WIRING HARNESS, STEERING COLUMN (646237-)	40 - 18		
3E5	WIRING HARNESS, UNLOADING AUGER (660201-)	40 - 50		
Y				
4E24	YOKE, PIVOTS AND CAPS	50 - 70		

1B23

ENGINE FAN, INTERCOOLER AND SCREENS

ROTARY SCREEN DRIVE (-645200)
HP4619 -UN-01JAN94



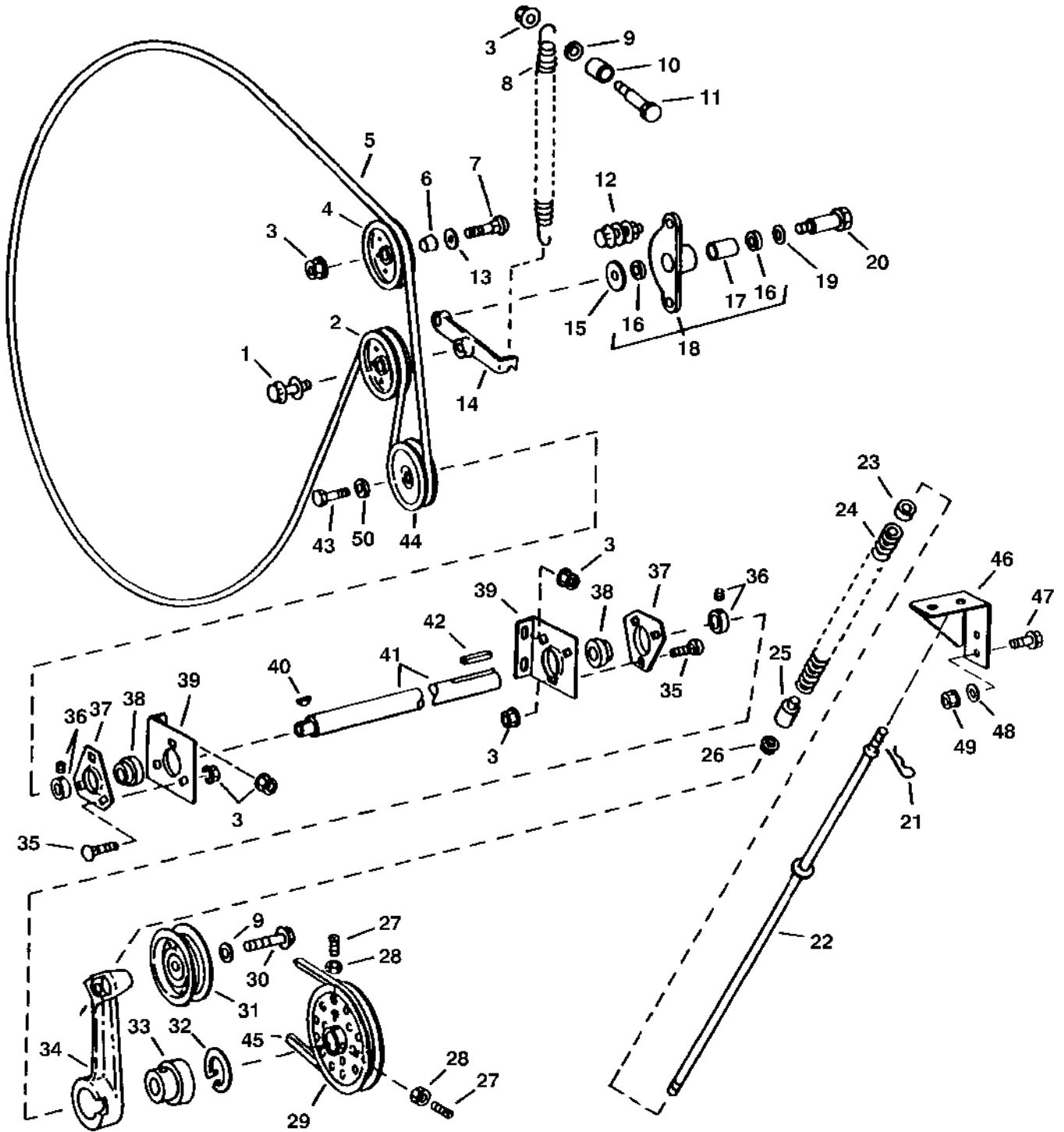
S
H
9 9
5 5
0 0
0 0

KEY	PART NO.	PART NAME	QTY	SERIAL NO.	REMARKS
1	AH135035	SHEAVE	2	X	(SUB FOR AH115347)
2	14M7298	FLANGE NUT	11	X	M8
3	H143869	BELT	1	-642578	X (SUB FOR H133576)
	H145158	BELT	1	642579-	X 11.100 X 3 830 MM (0.437" X 150.787")
4	H121407	SPACER	2	-632152	X
5	03M7224	BOLT	2	-635200	X M8 X 65
	03M7223	BOLT	2	635201-	X M8 X 60
6	AZ10044	ECCENTRIC LOCKING COLLAR	2	X	
7	H103264	PRESSED FLANGED HOUSING	2	X	
8	JD39102	BALL BEARING	2	X	
9	H123652	PRESSED FLANGED HOUSING	2	X	
10	26M7002	SHAFT KEY	1	X	5 X 16 MM
11	H134528	COUNTERSHAFT	1	X	
12	49M4100	SHAFT KEY	1	X	6 X 25 MM
13	03M7183	BOLT	6	X	M8 X 16
14	A50744	BOLT	2	X	M8 X 25
15	AH115639	SHEAVE	1	X	
16	H118719	HALF SHEAVE	2	X	
17	24M7207	WASHER	1	X	8.400 X 24 X 2 MM
18	19M7865	SCREW	1	X	M8 X 16
19	14M7273	NUT	2	X	M8
20	24H1850	WASHER	2	-635200	X 17/32" X 1-1/4" X 0.180"
	24M7178	WASHER	2	635201-	X 10.500 X 30 X 2.500 MM

1B24

ENGINE FAN, INTERCOOLER AND SCREENS

ROTARY SCREEN DRIVE AND IDLER ARMS (645201-)
HP6655 -UN-07MAR97



HP6655

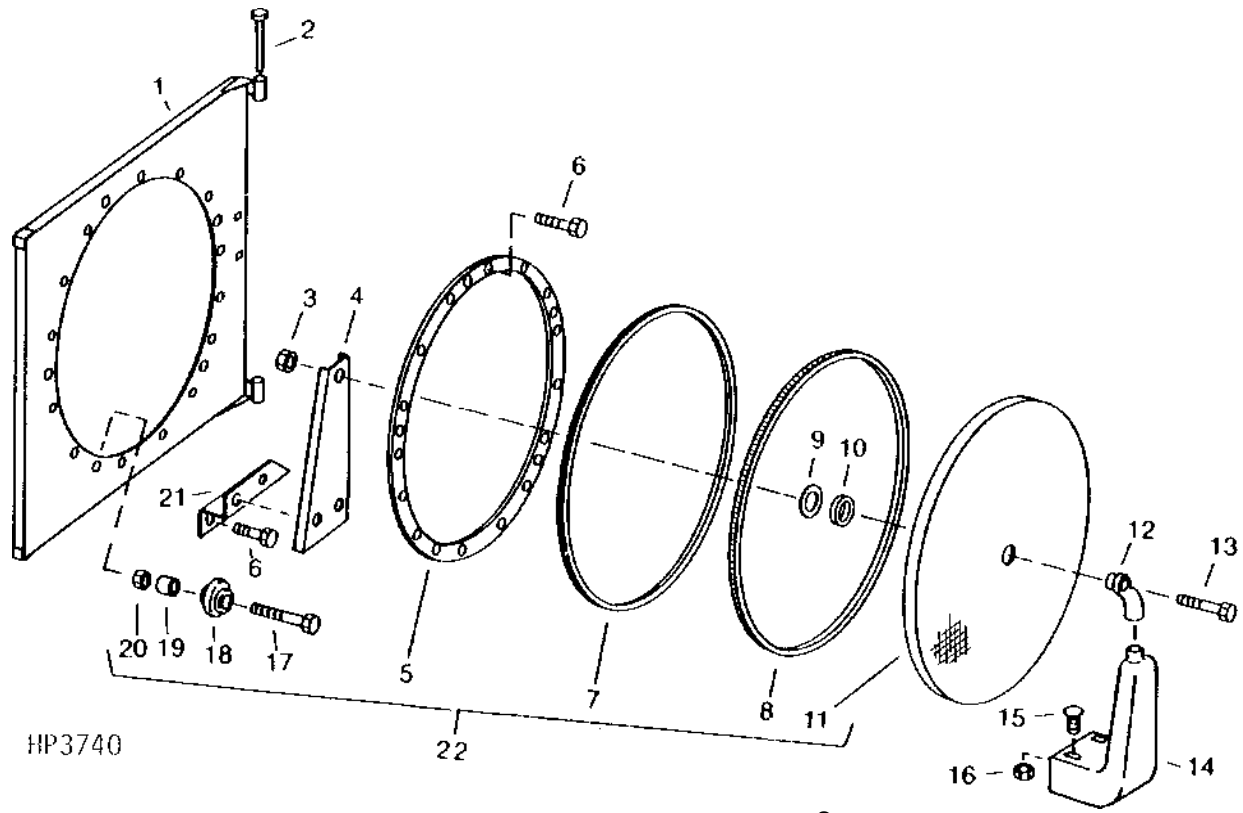
1B25

ENGINE FAN, INTERCOOLER AND SCREENS

ROTARY SCREEN DRIVE AND IDLER ARMS (645201-) - CONTINUED

KEY	PART NO.	PART NAME	QTY	SERIAL NO.	S H 9 5 0 0	REMARKS
1	19M7867	SCREW	1		X X	M8 X 25
	24M7207	WASHER	1		X X	8.400 X 24 X 2 MM
2	AH140119	SHEAVE	1		X X	
3	14M7298	FLANGE NUT	10		X X	M8
4	AH135035	SHEAVE	1		X X	
5	H145158	BELT	1		X X	11.100 X 3 830 MM (0.437" X 150.787")
6	SPACER	1		X X	INCLUDED IN AH135035
7	03M7224	BOLT	1		X X	M8 X 65
8	H146577	EXTENSION SPRING	1		X X	
9	24M7207	WASHER	2		X X	8.400 X 24 X 2 MM
10	28H1720	BUSHING	1		X X	10.744 X 17.145 X 21.438 MM (0.423" X 0.675" X 27/32")
11	H140715	BOLT	1		X X	M8 X 40
12	19M7867	SCREW	2		X X	M8 X 25
	24H1296	WASHER	2		X X	11/32" X 1-3/8" X 0.134"
	14M7298	FLANGE NUT	2		X X	M8
13	24H1850	WASHER	1		X X	17/32" X 1-1/4" X 0.180"
14	H146064	PITMAN ARM	1		X X	
15	24H1342	WASHER	1		X X	17/32" X 1-1/4" X 0.036"
16	AH10888	SEAL	2		X X	
17	R36119	BUSHING	1		X X	
18	AH140170	SUPPORT	1		X X	
19	24H1341	WASHER	1		X X	13.487 X 23.825 X 1.524 MM (17/32" X 15/16" X 0.060")
20	M111701	BOLT	1		X X	M8 X 51
21	J16931	SPRING LOCKING PIN	1		X X	
22	H131949	ROD	1		X X	
23	H123918	SPACER	1		X X	
24	H131948	SPRING	1		X X	
25	H134214	GUIDE	1		X X	
26	14M7296	FLANGE NUT	1		X X	M10
27	A50744	BOLT	2		X X	M8 X 25
28	14M7273	NUT	2		X X	M8
29	AH115639	SHEAVE	1		X X	
30	19M7868	SCREW	1		X X	M8 X 30
31	AH140497	SHEAVE	1		X X	
32	R55408	WEAR RING	1		X X	
33	AH140495	BALL BEARING	1		X X	
34	H146586	ARM	1		X X	
35	03M7183	BOLT	6	-665933	X X	M8 X 16
	19M7865	SCREW	6	665934-	X X	M8 X 16
36	AZ10044	ECCENTRIC LOCKING COLLAR	2		X X	
37	H103264	PRESSED FLANGED HOUSING	2		X X	
38	JD39102	BALL BEARING	2		X X	
39	H123652	PRESSED FLANGED HOUSING	2		X X	
40	26M7002	SHAFT KEY	1		X X	5 X 16 MM (0.197" X 0.630") WOODRUFF
41	H134528	COUNTERSHAFT	1		X X	
42	49M4100	SHAFT KEY	1		X X	6 X 25 MM
43	19M7865	SCREW	1	-7OCT96	X X	M8 X 16
	19M7866	SCREW	1	7OCT96-	X X	M8 X 20
	H118719	HALF SHEAVE	2		X X	
45	H134216	BELT	1	-642578	X	
	H146636	BELT	1	642579-	X X	
46	H146680	BRACKET	1	650245-	X X	
47	19M7865	SCREW	2	650245-	X X	M8 X 16
48	24M7207	WASHER	2	650245-	X X	8.400 X 24 X 2 MM
49	14M7298	FLANGE NUT	2	650245-	X X	M8
50	24M7207	WASHER	1	-7OCT96	X X	8.400 X 24 X 2 MM
	H158845	WASHER	1	7OCT96-	X X	M8

ROTARY SCREEN DOOR AND SCREEN (-640200)
 HP3740 -UN-01JAN94



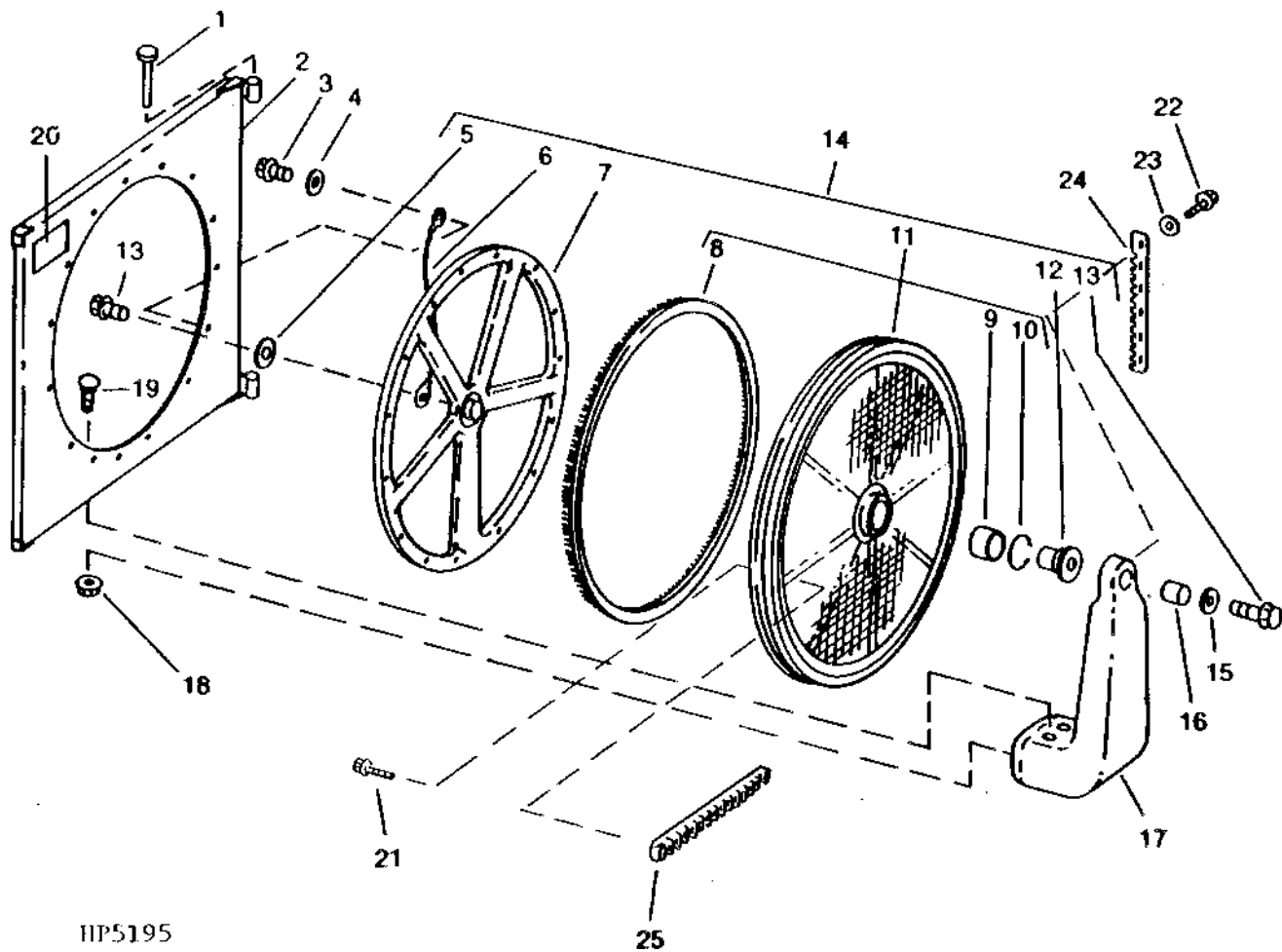
S
H
9 9
5 5
0 0
0 0

KEY	PART NO.	PART NAME	QTY	SERIAL NO.	REMARKS
1	AH125208	DOOR	1		X
2	H172337	PIN	2		X (SUB FOR H114818)
3	14M7296	FLANGE NUT	1		X M10
4	H125377	CHANNEL	1		X
5	H129683	RING	1		X (SUB AH141672, H143562, 19M8162, 24M7055, 24M7178 AND 28H1524)
6	19M7865	SCREW	15	-635200	X M8 X 16
	19M8162	CAP SCREW	15	635201-	X M10 X 40
7	H138987	BRUSH	1		X
8	H134354	BRUSH	1		X
9	H134409	SPRING WASHER	1		X
10	H119475	THRUST WASHER	1		X
11	AH123792	SCREEN	1		X (SUB AH141672, H143562, 19M8162, 24M7055, 24M7178 AND 28H1524)
12	H118781	HUB	1		X
13	19M7835	SCREW	1		X M10 X 35
14	H144277	AIR DUCT	1		X (SUB FOR H125379)
15	03M7183	BOLT	2		X M8 X 16
16	14M7298	FLANGE NUT	4		X M8
17	19M7658	CAP SCREW	5		X M10 X 50
18	AH135789	WHEEL	5		X (SUB FOR AH128665)
19	28H1521	SPACER	5		X 0.493" X 0.675" X 9/16"
20	14M7517	LOCK NUT	AR		X M10
21	H125376	BRACKET	1		X
22	AH135790	SCREEN	1		X (SUB FOR AH130423) (SUB AH141672, H143562, 19M8162, 24M7055, 24M7178 AND 28H1524)

MEMORANDA

ROTARY SCREEN DOOR AND SCREEN

9500 - (640201-)
SH9500 - (645201-)
HP5195 -UN-01JAN94



HP5195

1C3

ENGINE FAN, INTERCOOLER AND SCREENS

ROTARY SCREEN DOOR AND SCREEN - CONTINUED

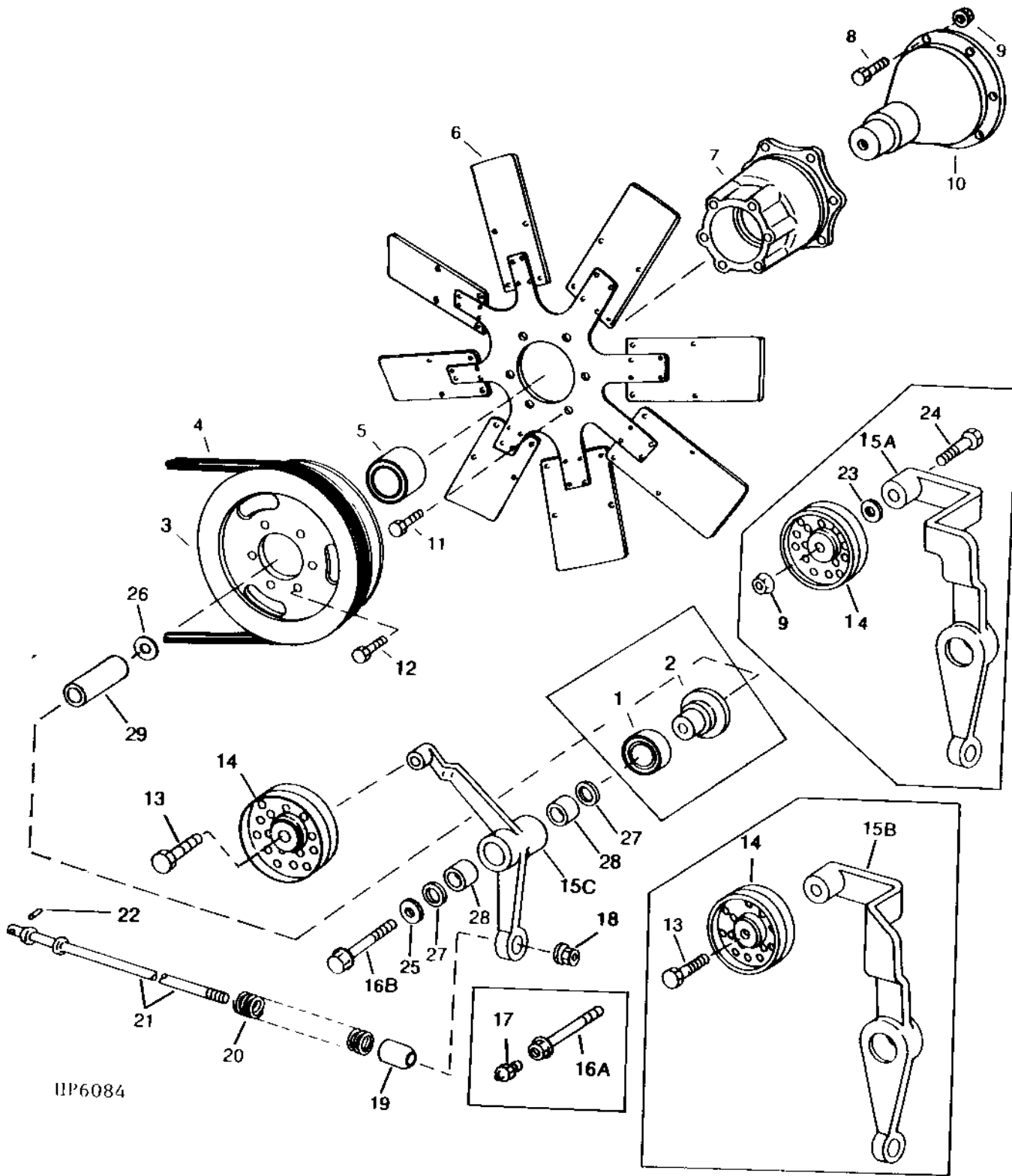
9500 (640201-)
SH9500 (645201-)

KEY	PART NO.	PART NAME	QTY	SERIAL NO.	S H 9 5 0 0 0 0	REMARKS
1	H114818	PIN	2		X X	11.930 X 167 MM (0.470" X 6.575")
2	AH135241	DOOR	1	-642578	X	
	AH140118	SHEET	1	642579-	X X	
3	19M7865	SCREW	15		X X	M8 X 16
4	12M7032	LOCK WASHER	1		X X	(SUB FOR 12M7122)
5	24M7028	WASHER	1		X X	10.500 X 20 X 2 MM
6	AH138257	WIRING LEAD	1		X X	
7	AH134642	HUB	1		X X	
8	AH141849	BRUSH	1		X X	(SUB FOR AH135041)
9	AH109788	ROLLER BEARING	1		X X	
10	H83285	SNAP RING	1		X X	
11	AH141671	SCREEN	1		X X	(SUB FOR AH134643)
12	H140380	HUB	1		X X	
13	19M8162	CAP SCREW	1		X X	M10 X 40
14	AH141672	SCREEN	1		X X	(SUB FOR AH134646)
15	24M7178	WASHER	1	-650200	X X	10.500 X 30 X 2.500 MM
	24M7180	WASHER	1	650201-	X X	13 X 37 X 3 MM
16	28H1720	BUSHING	1		X X	10.744 X 17.145 X 21.438 MM (0.423" X 0.675" X 27/32")
17	H143562	AIR DUCT	1	-650200	X X	
	AH141808	AIR DUCT	1	650201-	X X	
18	14M7298	FLANGE NUT	2		X X	M8
19	03M7183	BOLT	2		X X	M8 X 16
20	H144692	LABEL	1		X X	
21	37H143	SCREW	16	650200-	X X	
22	19M7774	SCREW	6	650200-	X X	M6 X 12
23	24M7207	WASHER	6	650200-	X X	8.400 X 24 X 2 MM
24	H148416	KNIFE	1	650200-	X X	
25	AH142527	RAKE	2	650200-	X X	

1C4

ENGINE FAN, INTERCOOLER AND SCREENS

ENGINE FAN AND DRIVES
HP6084 -UN-14JUN95



HP6084

1C5

ENGINE FAN, INTERCOOLER AND SCREENS

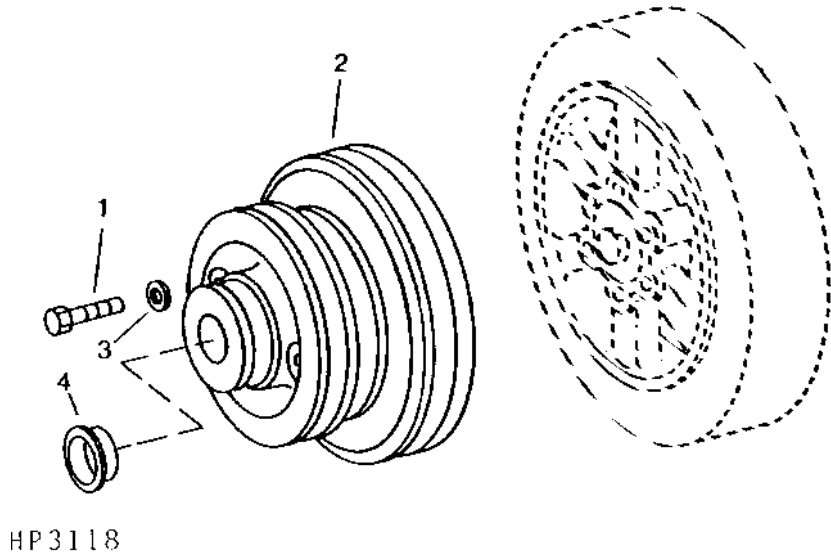
ENGINE FAN AND DRIVES -CONTINUED

KEY	PART NO.	PART NAME	QTY	SERIAL NO.	S H 9 5 0 0	REMARKS
1	JD9239	BEARING	1	-650200	X	
	AH137791	BEARING CONE	1	640201-642858	X	
2	H125568	SPACER	1	-640200	X	
	H144021	SPACER	1	640201-643457	X	
	AT73296	POWER CORD	2		X X	
3	H129248	SHEAVE	1		X X	(FOR 215 ENGINE)
	H146750	IDLER	1	643088-	X X	(FOR 235 HP ENGINE)
4	H132808	BELT	1		X	16.764 X 1 422 MM (0.660" X 55.984") (SUB FOR AH140623) LOW POWER
	H153297	BELT	1		X X	16.700 X 1 410 MM (0.657" X 55.512") HIGH POWER
5	AH120815	ROLLER BEARING	1		X X	(SUB FOR AH146634)
6	AH125673	SUCTION FAN	1		X X	
7	H134143	HUB	1		X X	
8	19M7786	SCREW	4		X X	M10 X 30
9	14M7296	FLANGE NUT	4		X	M10, 235 HP ONLY
	14M7400	LOCK NUT	4		X	M10
10	H134144	SUPPORT	1		X X	(SUB FOR H152317)
11	19M7866	SCREW	1		X X	M8 X 20
12	19M7867	SCREW	6		X X	M8 X 25
13	19M8306	SCREW	1	640201-	X X	M12 X 50
14	AH120817	SHEAVE	1		X X	(SUB AH137791, AH96292, H144020 AND H144021) 215 HP ONLY
	AH96292	SHEAVE	1	640201-	X X	
15A	H134145	ARM	1	-640200	X	(SUB AH137791, AH96292, H144020, H144021 AND 19M8306)
15B	H144020	ARM	1	640201-642858	X	
15C	AH137704	ARM	1	642859-	X X	
16A	H140846	BOLT	1	-643457	X	1/4 - TAPPED BOLT, (SUB FOR H125572)
	H140848	SET SCREW	1	643458-665280	X X	M12 X 120
16B	19M7821	SCREW	1	665281-671076	X X	M12 X 120
	H140848	SET SCREW	1	671077-	X X	
17	JD7759	LUBRICATION FITTING	1	-631285	X	1/8" - STRAIGHT
	JD7797	LUBRICATION FITTING	1	631286-640100	X	1/4" - STRAIGHT
	JD7788	LUBRICATION FITTING	1	640101-665280	X X	1/4"- 45 DEGREE
18	14M7296	FLANGE NUT	1		X X	M10
19	H134214	GUIDE	1		X X	
20	H131948	SPRING	1		X X	
	H146767	COMPRESSION SPRING	1	645232-	X X	
21	H131949	ROD	1		X X	
22	J16931	SPRING LOCKING PIN	1		X X	
23	24H1307	WASHER	1	-640200	X	13/32" X 1" X 1/16"
24	19M8292	SCREW	1	-640200	X	215 HP ONLY
	19M7329	CAP SCREW	1	640201-641154	X	235 HP ONLY
25	24M7180	WASHER	1	643458-	X X	13 X 37 X 3 MM
26	H125466	WASHER	1	643458-	X X	13.500 X 48 X 8 MM
27	AA5607R	SEAL	2	642859-	X X	
28	H99147	BUSHING	2	642859-	X X	(SUB H171061)
	H171061	BEARING	2		X X	
29	H125467	BUSHING	1		X X	13 X 25.310 X 90 MM (0.512" X 0.996" X 3.543")

1C6

ENGINE FAN, INTERCOOLER AND SCREENS

6076 ENGINE FAN DRIVE
HP3118 -UN-01JAN94

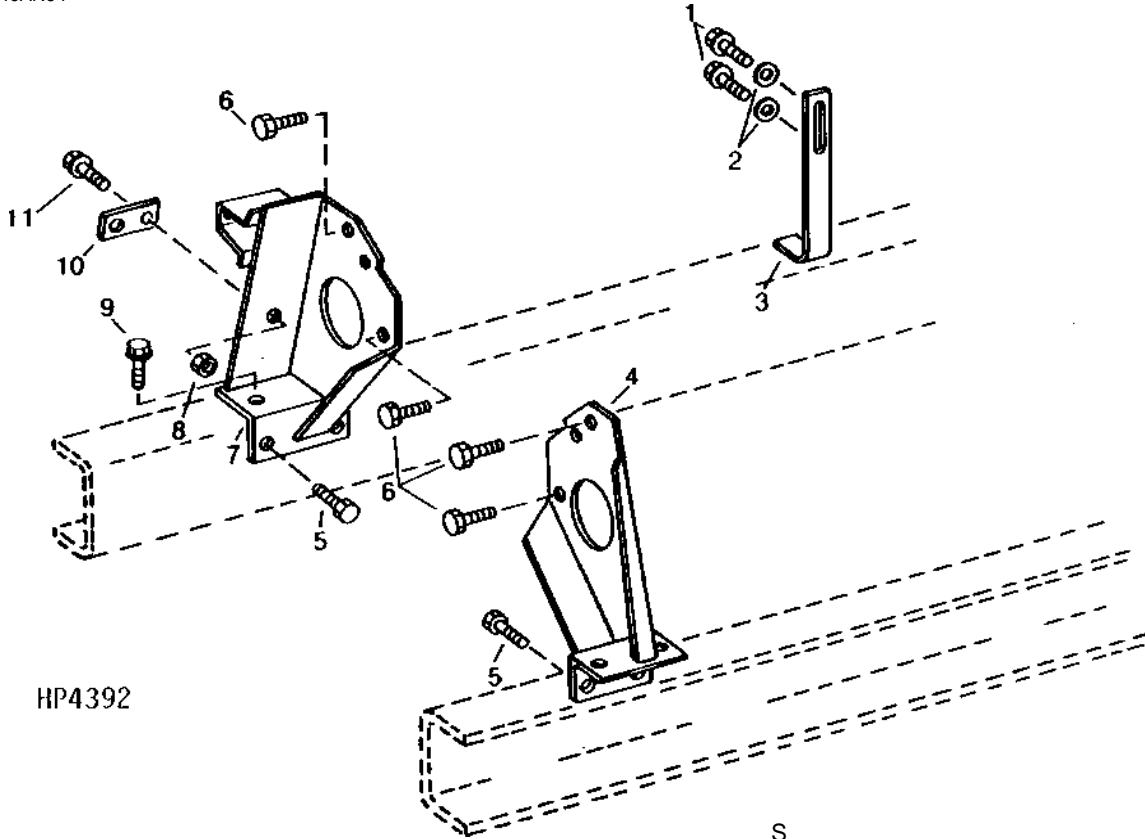


KEY	PART NO.	PART NAME	QTY	SERIAL NO.	S H 9 5 0 0	REMARKS
1	19H3404	CAP SCREW	6		X X	3/8" X 4"
	19H3598	CAP SCREW	6		X	3/8" X 4-3/4", FOR 215 HP ONLY
2	H145076	PULLEY	1		X	(SUB FOR H134848) FOR 235 HP ONLY
	H143759	PULLEY	1	640201-	X	FOR 215 HP ONLY
	H146749	IDLER	1	645201-	X X	FOR 235 HP ONLY
3	24M7239	WASHER	6		X X	10.700 X 21 X 2.500 MM
4	B2984R	PLUG	1		X X	
..	H153297	BELT	1		X X	(SUB FOR AH140623)

1C7

6076 ENGINE MOUNTS AND REAR SUPPORT

9500 (-640200)
 HP4392 -UN-01JAN94



HP4392

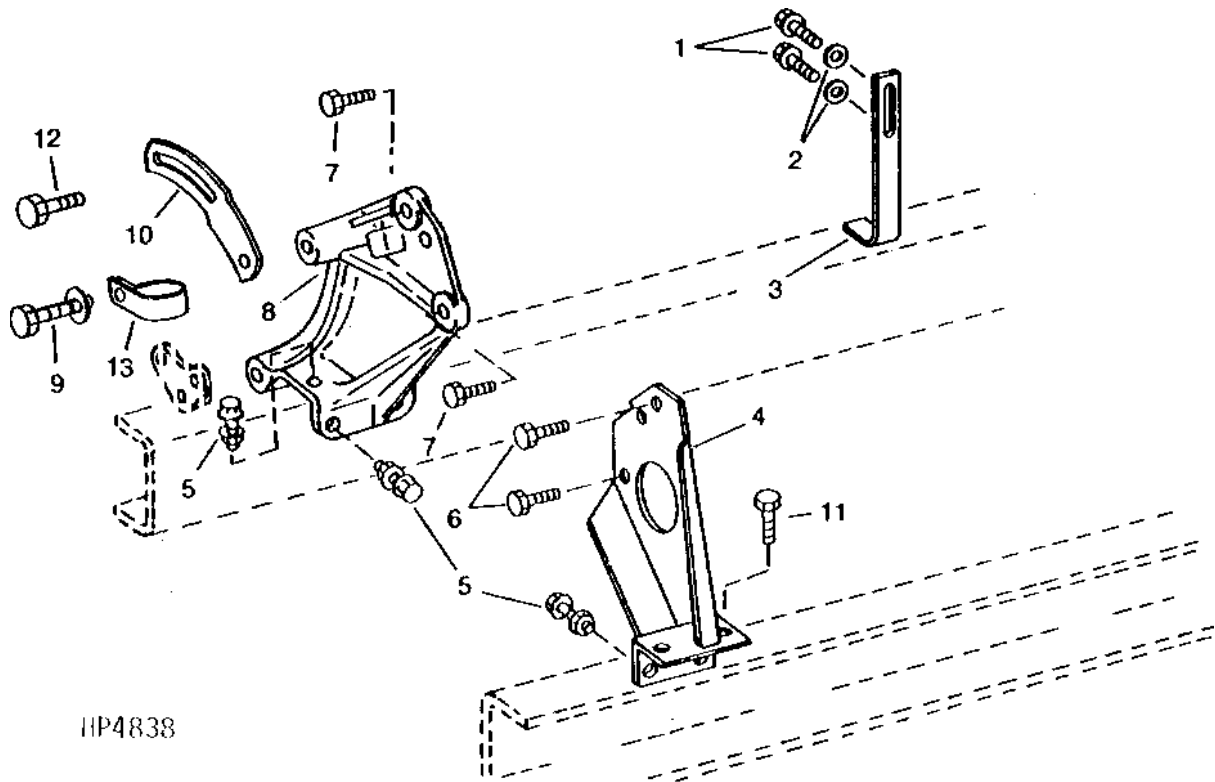
S
 H
 9 9
 5 5
 0 0
 0 0

KEY	PART NO.	PART NAME	QTY	SERIAL NO.	REMARKS
1	19H1708	CAP SCREW	2	X	5/8" X 1-3/4"
2	24M7051	WASHER	AR	X	21 X 37 X 3 MM
3	H134856	BRACKET	1	X	
4	AH148106	SUPPORT	1	X	(SUB FOR AH130507)
5	19M7785	SCREW	AR	X	M10 X 25
6	19H1895	CAP SCREW	AR	X	1/2" X 3/4"
7	AH130508	SUPPORT	1	X	R.H.
8	14M7296	FLANGE NUT	AR	X	M10
9	19M7786	SCREW	AR	X	M10 X 30
10	H128201	PLATE	1	X	
11	19M7784	SCREW	AR	X	M10 X 20

1C8

ENGINE FAN, INTERCOOLER AND SCREENS

6076 ENGINE MOUNTS AND REAR SUPPORT
 9500 (640201-655551) SH9500 (645201-655551)
 HP4838 -UN-01JAN94



HP4838

S
H
9 9
5 5
0 0
0 0

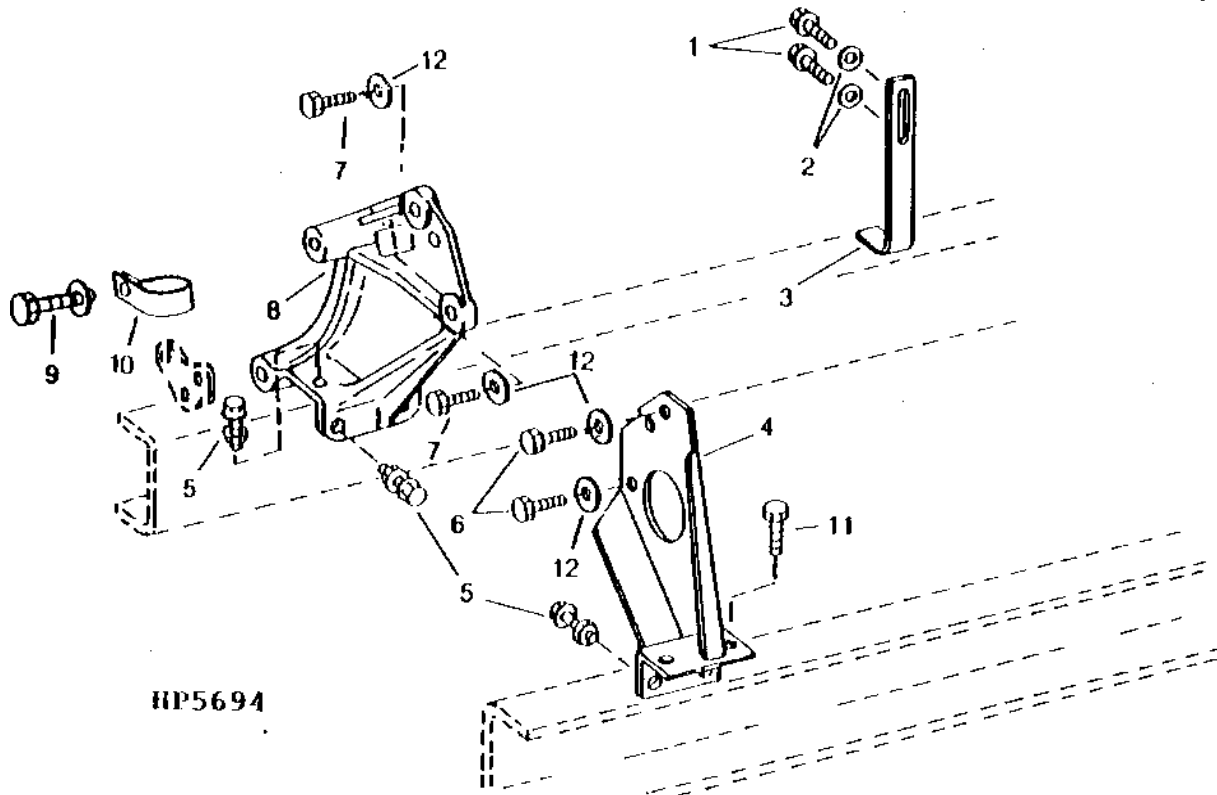
KEY	PART NO.	PART NAME	QTY	SERIAL NO.	REMARKS
1	19H1708	CAP SCREW	2	X X	5/8" X 1-3/4"
2	24M7051	WASHER	2	X X	21 X 37 X 3 MM
3	H134856	BRACKET	1	X X	REAR
4	AH148106	SUPPORT	1	X X	(SUB FOR AH130507)
5	19M7786	SCREW	8	X X	M10 X 30
	14M7296	FLANGE NUT	8	X X	M10
6	19H1895	CAP SCREW	2	X X	1/2" X 3/4"
7	19H1815	CAP SCREW	2	-640387 X	1/2" X 1-1/4"
	19H2473	CAP SCREW	2	X X	1/2" X 1-3/4"
8	H143904	SUPPORT	1	-642858 X	R.H., FOR 215 HP (STANDARD)
	H140075	SUPPORT	1	-642858 X	R.H., FOR 235 HP (CORN & RICE OPTION) (ILLUSTRATED)
	H143761	SUPPORT	1	642859-	X X
	H147115	SUPPORT	1	650201-	X X
9	19M8007	CAP SCREW	1	X X	M10 X 25
	24M7178	WASHER	1	X X	10.500 X 30 X 2.500 MM
10	H140076	ADJUSTING STRAP	1	X X	A/C COMPRESSOR
11	19H1782	CAP SCREW	1	X X	3/4" X 2-1/4"
12	19M7786	SCREW	1	X X	M10 X 30, INTO A/C COMPRESSOR
13	H143757	HOSE CLAMP	1	X X	

1C9

ENGINE FAN, INTERCOOLER AND SCREENS

6076 ENGINE MOUNTS AND REAR SUPPORT

(655552-)
 HP5694 -UN-01JAN94



HP5694

S
 H
 9 9
 5 5
 0 0
 0 0

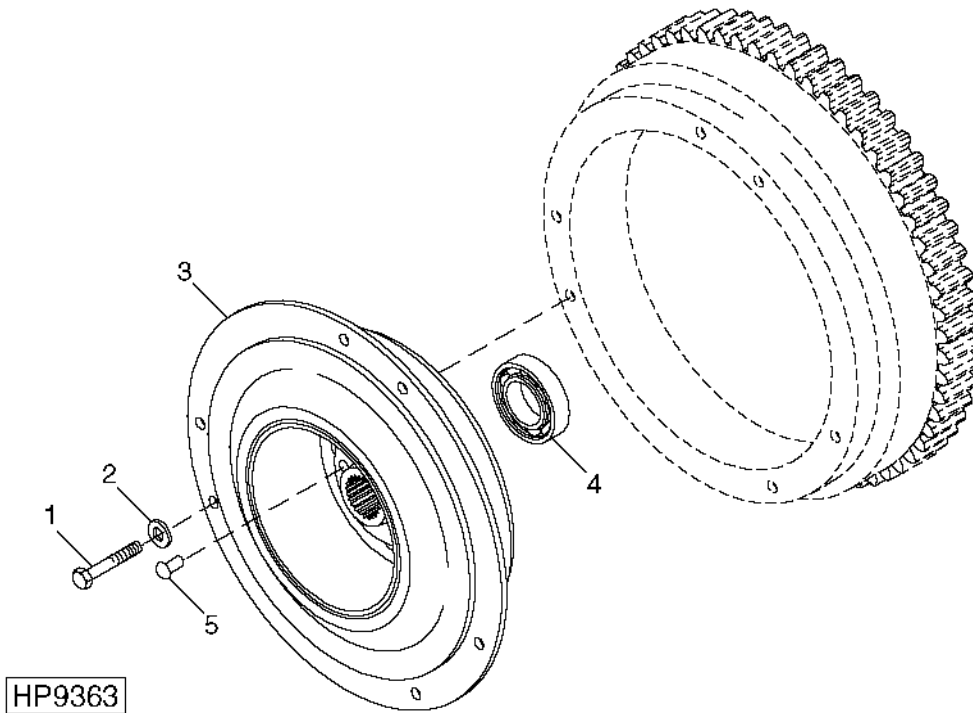
KEY	PART NO.	PART NAME	QTY	SERIAL NO.	REMARKS
1	19H1708	CAP SCREW	2	X X	5/8" X 1-3/4"
2	24M7051	WASHER	2	X X	21 X 37 X 3 MM
3	H134856	BRACKET	1	X X	REAR
4	AH148106	SUPPORT	1	X X	(SUB FOR AH130507)
5	19M7786	SCREW	8	X X	M10 X 30
	14M7296	FLANGE NUT	8	X X	M10
6	19H1792	CAP SCREW	2	X X	1/2" X 1"
7	19H2473	CAP SCREW	2	X	1/2" X 1-3/4"
8	H147115	SUPPORT	1	X X	R.H., FOR 215 HP (STANDARD)
9	19M8007	CAP SCREW	1	X X	M10 X 25
	24M7178	WASHER	1	X X	10.500 X 30 X 2.500 MM
10	H143757	HOSE CLAMP	1	X X	A/C COMPRESSOR
11	19H1782	CAP SCREW	1	X X	3/4" X 2-1/4"
12	12H301	LOCK WASHER	1	X X	12.700 MM (1/2") INTO A/C COMPRESSOR

1C10

ENGINE FAN, INTERCOOLER AND SCREENS

ENGINE GEARCASE COUPLING WITH HUB

HP9363 -UN-02DEC99



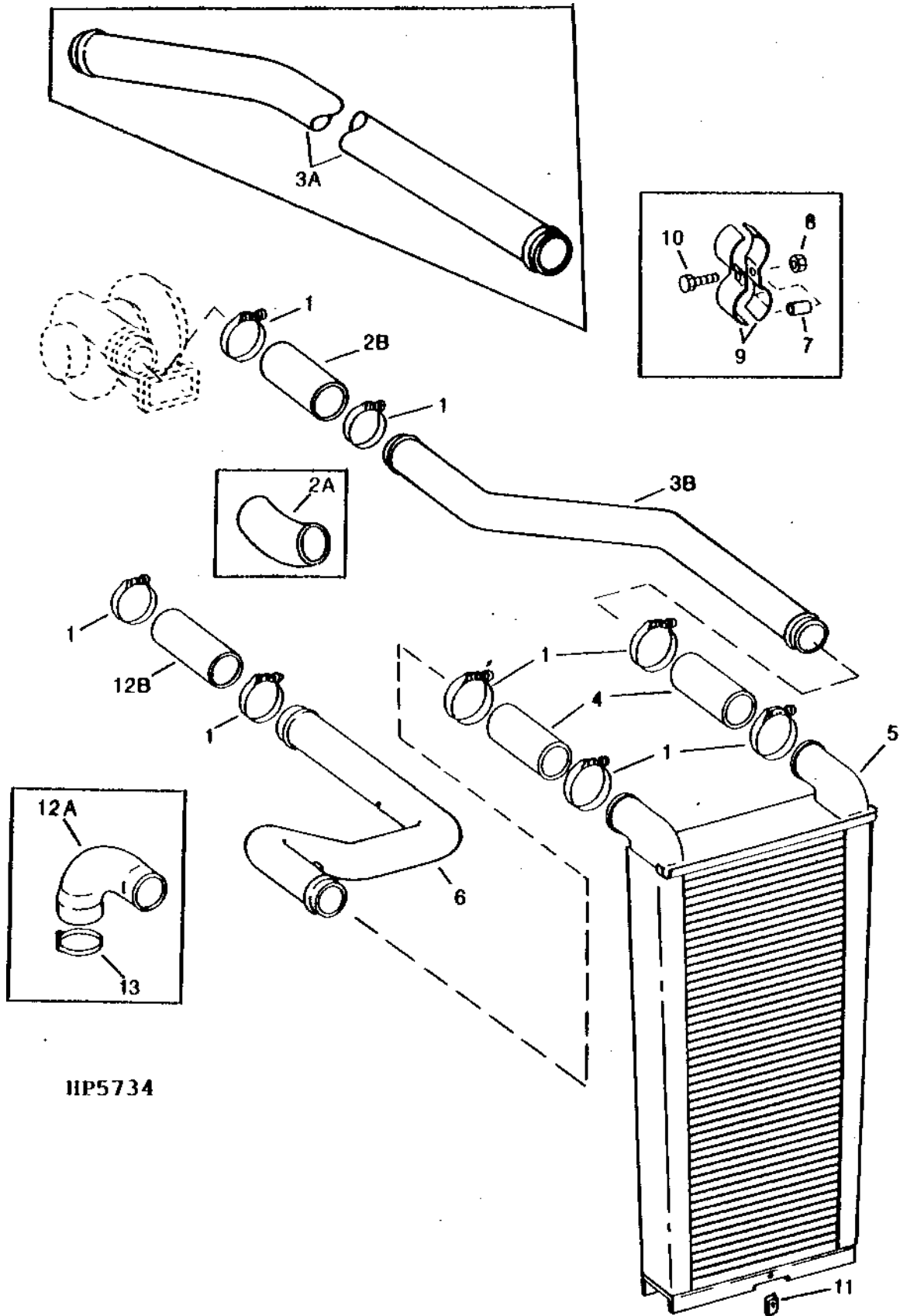
KEY	PART NO.	PART NAME	QTY	SERIAL NO.	S H 9 9 5 5 0 0 0 0	REMARKS
1	R57725	SCREW	6			
2	R42729	WASHER	6		X X	10.312 X 20.980 X 2.286 MM
3	AH117782	COUPLING	1		X X	
4	AR48751	BALL BEARING	1		X X	
5	16H1559	RIVET	6		X X	

MEMORANDA

1C11

ENGINE FAN, INTERCOOLER AND SCREENS

INTERCOOLER AND HOSES
HP5734 -UN-01JAN94



HP5734

1C12

ENGINE FAN, INTERCOOLER AND SCREENS

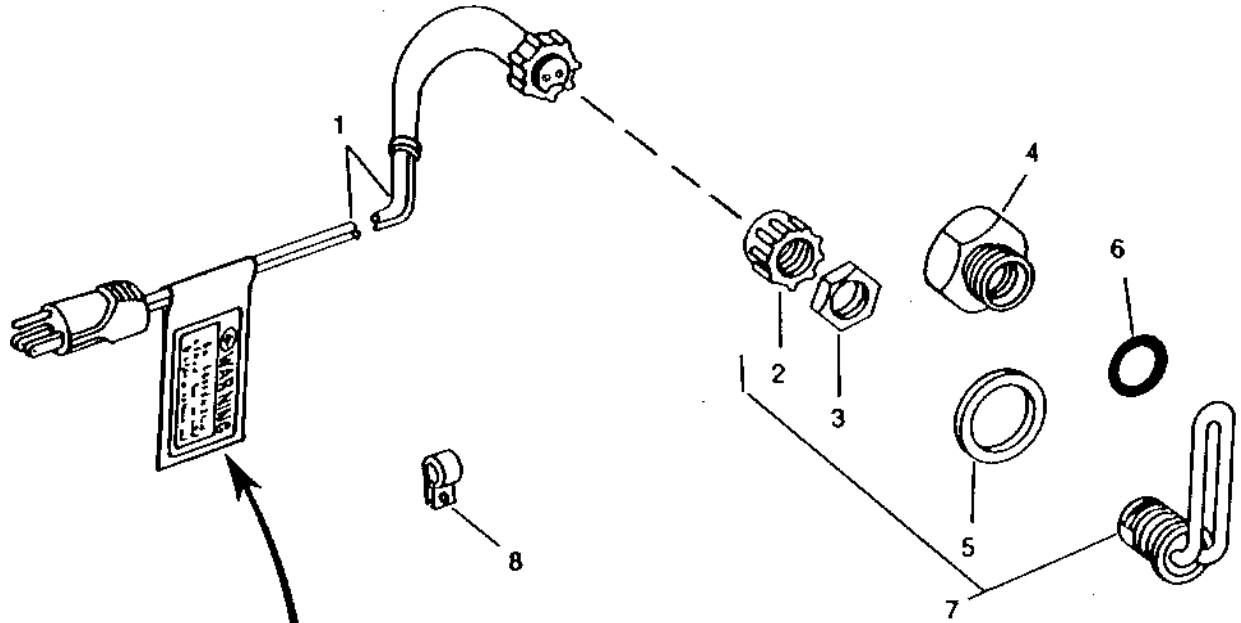
INTERCOOLER AND HOSES - CONTINUED

KEY	PART NO.	PART NAME	QTY	SERIAL NO.	S H 9 5 0 0	REMARKS
1	AT39141	HOSE CLAMP	7	-655200	X X	
	AT39141	HOSE CLAMP	8	655201-	X X	
2A	H133049	HOSE	1		X X	(SUB H133051)
2B	H133051	HOSE	1		X X	
3A	H138075	TUBE	1	-655200	X X	(SUB H150021)
3B	H150021	TUBE	1	655201-665977	X X	
	H155108	TUBE	1		X X	
4	H133051	HOSE	2		X X	
5	AH151139	AIR COOLER	1		X X	(SUB FOR AH140474)
6	AH133014	TUBE	1	-655200	X X	
	AH142096	LINE	1	655201-665977	X X	
	AH148285	TUBE	1		X X	
7	28H1903	BUSHING	1		X X	9.246 X 13.716 X 19.050 MM (0.364" X 0.540" X 3/4")
8	14M7298	FLANGE NUT	1		X X	M8
	14M7396	LOCK NUT	1		X X	M8
9	H133751	CLAMP	2		X X	
10	19M8317	SCREW	1		X X	M8 X 40
11	M84971	NUT	1		X X	
12A	H140573	HOSE	1	-655200	X X	
12B	H133051	HOSE	1	655201-	X X	
13	AT37476	HOSE CLAMP	1	-642383	X	
	RE37039	CLAMP	1	642384-	X X	

1C13

ENGINE FAN, INTERCOOLER AND SCREENS

ENGINE BLOCK COOLANT HEATER AND EXTENSION CORD
HP5231 -UN-01JAN94



⊕ WARNING

To prevent shock,
always use a grounded
3-wire extension cord

HP5231

1C14

ENGINE FAN, INTERCOOLER AND SCREENS

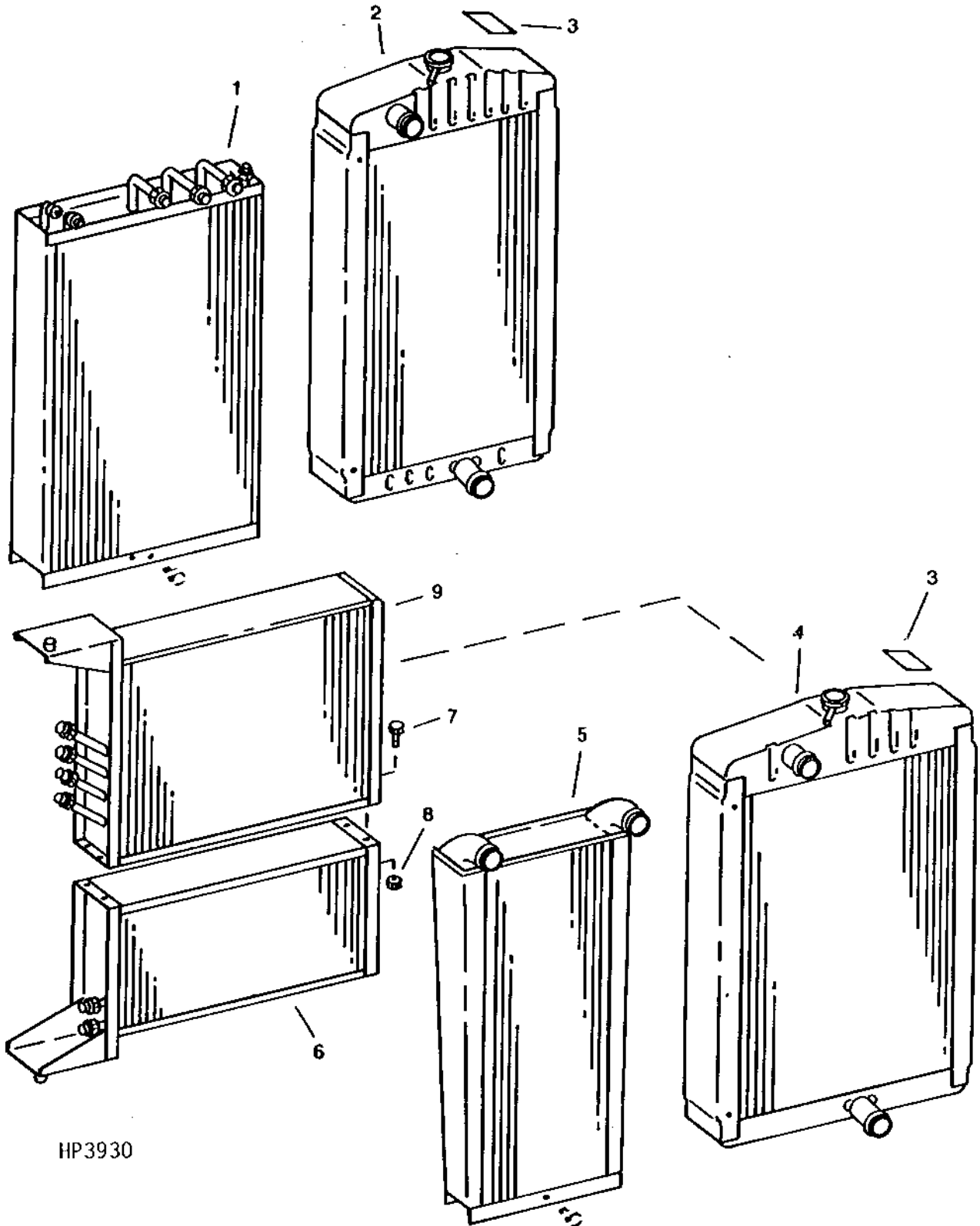
ENGINE BLOCK COOLANT HEATER AND EXTENSION CORD - CONTINUED

KEY	PART NO.	PART NAME	QTY	SERIAL NO.	S H 9 9 5 5 0 0 0 0	REMARKS
1	AT73296	POWER CORD	1		X X	48"
2	R54510	CAP	1		X X	(SUB RE504122)
3	R54511	NUT	1		X X	25.400 MM (1") (SUB RE504122)
4	R54123	ADAPTER	1		X X	
5	R47693	GASKET	1		X X	
6	U13639	O-RING	1		X X	37.465 X 2.997 MM (1.475" X 0.118")
7	RE504122	COOLANT HEATER	1		X X	(SUB FOR AR62399) STANDARD WITH ENGINE
8	H75541	CLAMP	1		X X	

1C15

ENGINE FAN, INTERCOOLER AND SCREENS

RADIATOR WITH OIL COOLER, A/C CONDENSER AND AIR INTER COOLER
HP3930 -UN-01JAN94



HP3930

1C16

ENGINE FAN, INTERCOOLER AND SCREENS

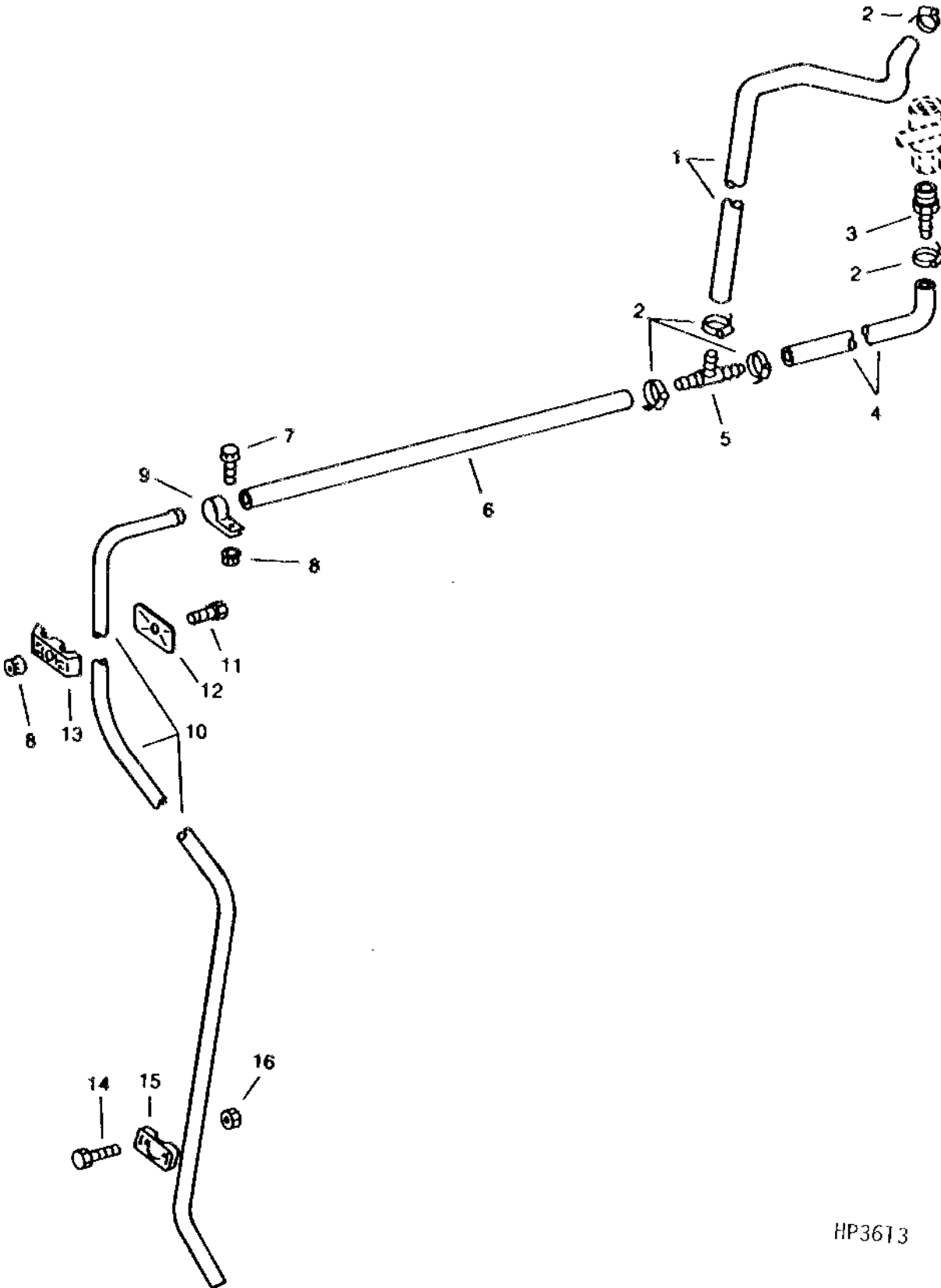
RADIATOR WITH OIL COOLER, A/C CONDENSER AND AIR INTER COOLER-CONTINUED

KEY	PART NO.	PART NAME	QTY	SERIAL NO.	S H 9 5 0 0	REMARKS
1	AH150219	OIL COOLER	1		X	(SUB FOR AH120836 OR AH136172) OIL COOLER AND CONDENSER TOGETHER, USED WITH 190 HP ENGINE
2	AH137544	RADIATOR	1		X	SEE SECTION 030 FOR ENGINE COOLING SYSTEM, (SUB FOR AH128258)
	AH128257	RADIATOR	1	650201-	X X	5 FPI
	AH144719	RADIATOR	1	656270-	X X	4 FPI
3	H169344	DECAL	1		X X	(SUB FOR A2913R)
4	AH128257	RADIATOR	1		X X	SEE SECTION 030 FOR ENGINE COOLING SYSTEM
5	AH151139	AIR COOLER	1		X X	(SUB FOR AH140474)
6	AH149618	VAPOR CONDENSER	1		X X	EVAPORATOR SEE SECTION 090 FOR A/C SYSTEM, (SUB FOR AH140471)
7	19M7774	SCREW	4		X X	M6 X 12
8	14M7303	FLANGE NUT	4		X X	M6
9	AH140472	OIL COOLER	1	-665200	X X	SEE SECTION 070 FOR OIL COOLER SYSTEM, (SUB FOR AH120854)
	AH149588	VAPOR CONDENSER	1	665201-	X X	(SUB FOR AH145232)

1C17

ENGINE FAN, INTERCOOLER AND SCREENS

ENGINE CRANKCASE OIL DRAIN
HP3613 -UN-01JAN94



HP3613

1C18

ENGINE FAN, INTERCOOLER AND SCREENS

ENGINE CRANKCASE OIL DRAIN - CONTINUED

KEY	PART NO.	PART NAME	QTY	SERIAL NO.	S H 9 5 0 0	REMARKS
1	H130016	HOSE	1		X X	
2	AT18904	CLAMP	5		X X	
3	A27238	HOSE FITTING	1		X X	
4	TY22424	HOSE	1		X X	(SUB FOR H130017)
5	A24915	TEE FITTING	1		X X	
6	H114433	HOSE	1		X X	
7	19M7867	SCREW	1		X X	M8 X 25
8	14M7298	FLANGE NUT	1		X X	M8
9	T70694	CLAMP	1		X X	
10	H134389	OIL LINE	1	-643457	X	
	H150433	TUBE	1	643458-	X X	(SUB FOR H145003)
11	19M7801	SCREW	1		X X	M8 X 60
12	H112567	PLATE	2		X X	
13	H114897	CLAMP	2		X X	
14	03M7280	BOLT	2		X X	M6 X 45
15	H114432	CLAMP	2		X X	
16	14M7303	FLANGE NUT	2		X X	M6

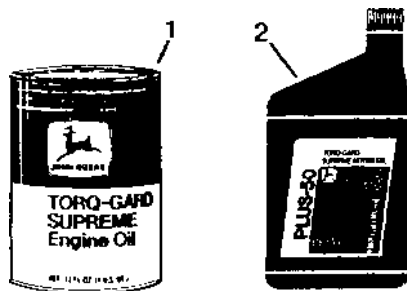
MEMORANDA

1D8

6076 ENGINE (ENGINE SERIAL NUMBER -499999)

TORQ-GARD SUPREME AND PLUS-50 ENGINE OIL

RGP3291 -UN-01JAN94

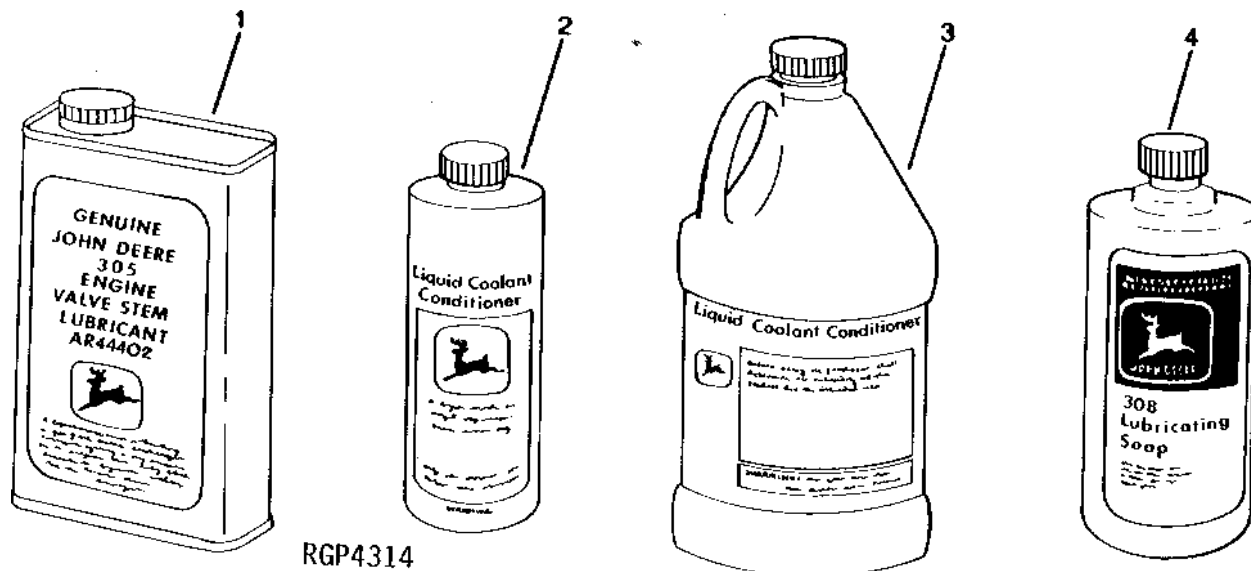


RGP 3291

KEY	PART NO.	PART NAME	QTY	SERIAL NO.	REMARKS
1	TY22064	OIL	1	(SAE 5W/30), 0.9L (1 QUART) (SUB FOR TY6359)	
	TY22065	OIL	1	(SAE 5W/30), 19L (5 GALLON) (SUB FOR TY6360)	
	TY22066	OIL	1	(SAE 5W/30), 208L (55 GALLON) (SUB FOR TY6361)	
	TY6364	OIL	1	(SAE 10W/30), 0.9 L (1 QUART) (BREAKIN)	
	TY6389	OIL	1	(SAE 15W/40), 0.9 L (1 QUART) (SUB FOR TY6297)	
	TY6390	OIL	1	(SAE 15W/40), 19 L (5 GALLON) (SUB FOR TY6298)	
	TY22010	OIL	1	(SAE 15W/40), 114 L (30 GALLON) (SUB FOR TY6300)	
	TY6391	OIL	1	(SUB FOR TY6301) (SAE 15W/40), 208 L (55 GALLON)	
	TY22067	OIL	1	(SAE 10W), .9L (1 GALLON) (SUB FOR TY22009)	
	TY22068	OIL	1	(SAE 10W), 19L (5 GALLON) (SUB FOR TY6312)	
	TY22069	OIL	1	(SAE 10W), 208L (55 GALLON) (SUB FOR TY6313)	
	TY22070	OIL	1	(SAE 30W), 0.9L (1 GALLON) (SUB FOR AR63218, AR63979 OR TY6392)	
	TY22073	OIL	1	(SAE 30W), 19L (5 GALLON) (SUB FOR AR63219 OR TY6393)	
	TY6280	OIL	1	(SAE 30W), 114 L (30 GALLON)	
TY22074	OIL	1	(SAE 30W), 208L (55 GALLON) (SUB FOR AR63222 OR TY6394)		
2	TY22008	OIL	1	(SAE 15W/40), 3.8 L (1 GALLON)	
	TY22010	OIL	1	(SAE 15W/40), 113.6 L (30 GALLON)	
	TY22071	OIL	1	(SAE 30W), 3.8 L (1 GALLON) (SUB FOR TY22007)	
	TY22011	OIL	1	(SAE 30W), 113.6 L (30 GALLON)	
..	TY22041	OIL	1	(SAE 10W/30), 3.8 L (1 GALLON) (FACTORY SPEC BREAKIN)	
..	TY22042	OIL	1	(SAE 10W/30), 208 L (55 GALLON) (FACTORY SPEC. BREAKIN)	

COOLANT CONDITIONER AND ENGINE PART LUBRICANTS

RGP4314 -UN-01JAN94



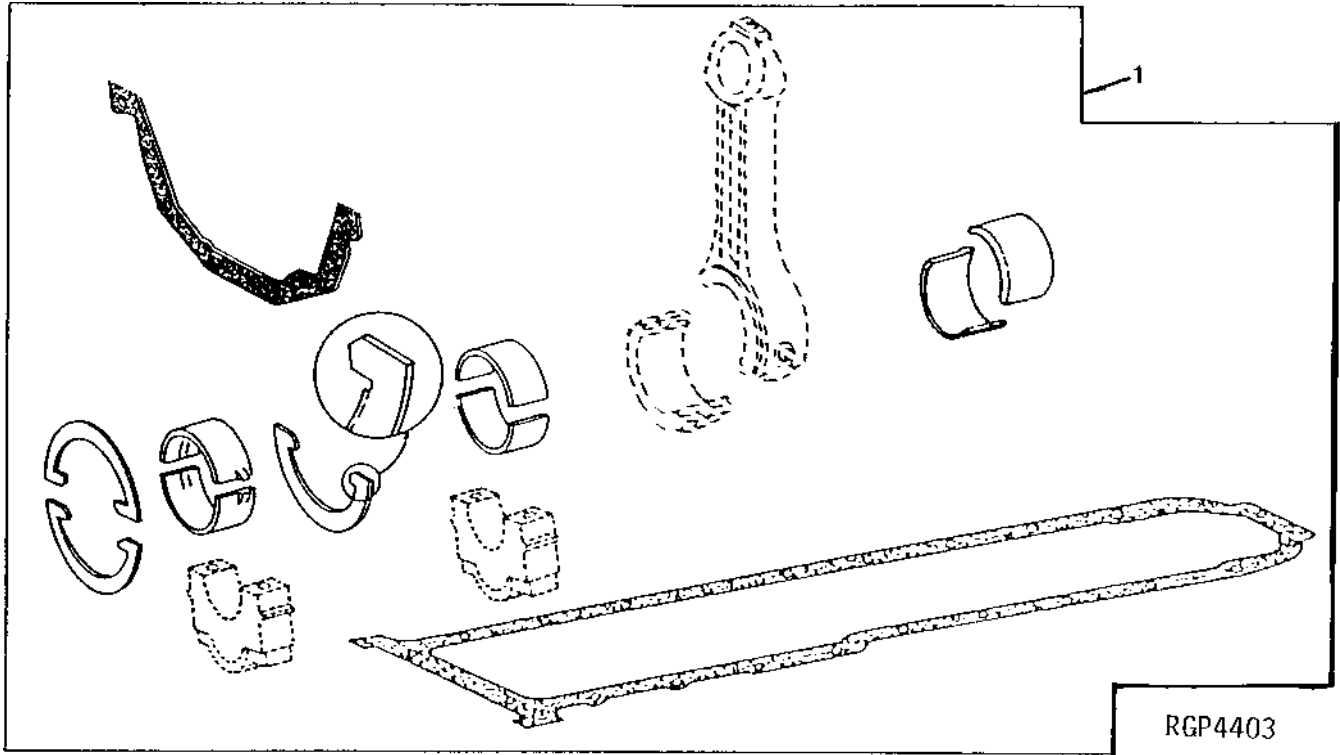
RGP4314

KEY	PART NO.	PART NAME	QTY	SERIAL NO.	REMARKS
1	AR44402	OIL	1	0.9 L (1 QT.)	
2	TY16004	ENGINE COOLANT CONDITIONER	1	0.472 L (16 OZ.) (SUB FOR RE23182)	
3	TY16005	ENGINE COOLANT CONDITIONER	1	3.8 L (1 GAL.) (PHOSPHATE - FREE) (SUB FOR RE35992)	
4	AR54749	LUBRICANT	1	0.9 L (1 QT.)	
	AT66865	LUBRICANT	1	(ELECTRICAL CONNECTIONS) (NOT SHOWN)	
..	AR41785	KIT	1	CONTAINS 0.9 L (1 QT.) (OFF-SEASON STORAGE)	
..	AR21969	KIT	1	(DUST CAP/COVER KIT)	
..	DS0251	KIT	1	(COOLANT SCAN TEST)	
..	IPSKIT1	KIT	1	(OIL SCAN TEST)	

1D10

6076 ENGINE (ENGINE SERIAL NUMBER -499999)

ENGINE UNDERHAUL KIT
RGP4403 -UN-14DEC94

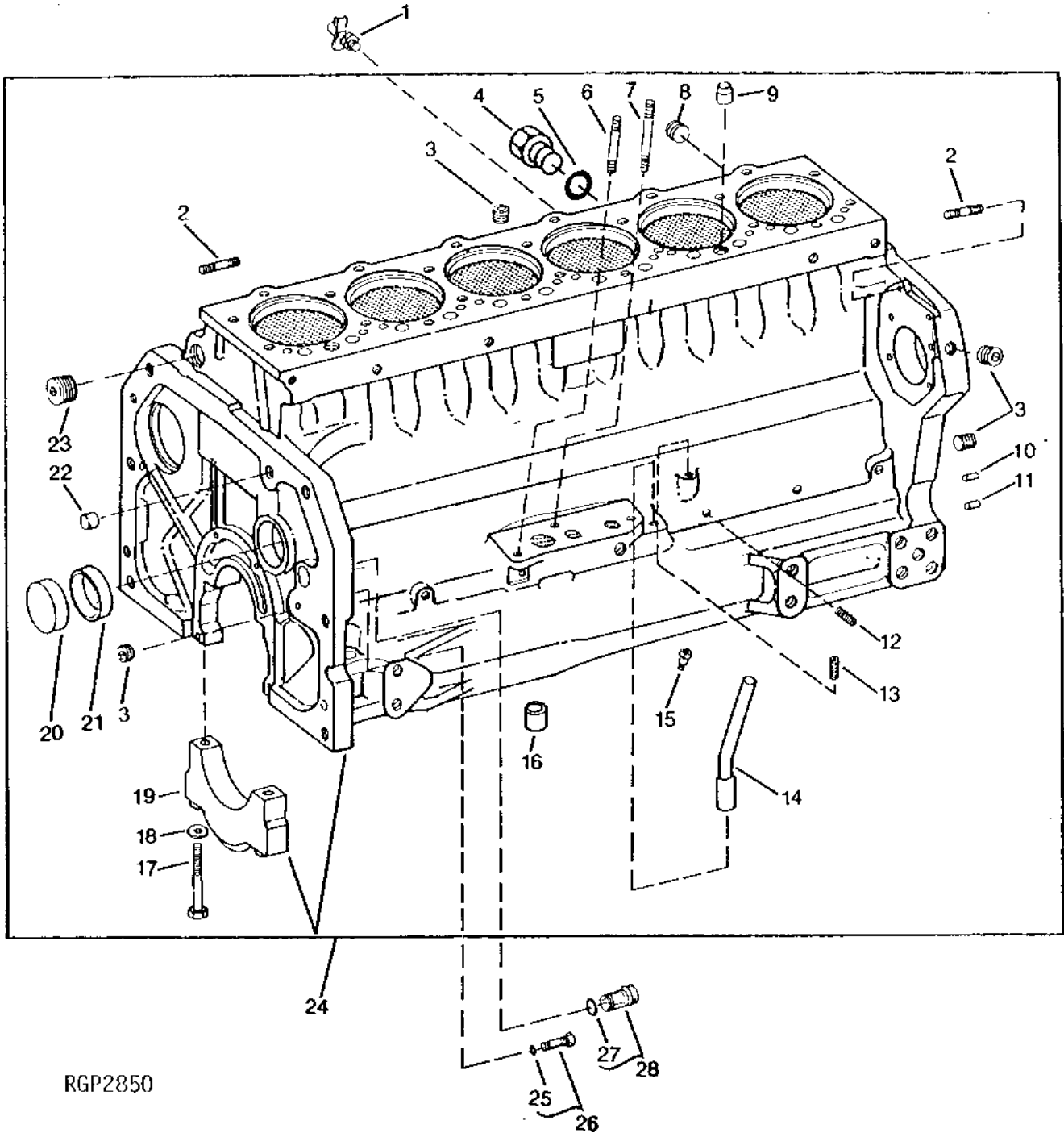


KEY	PART NO.	PART NAME	QTY	ENGINE SERIAL NO.	REMARKS
1	RG23426	KIT	1		(INCLUDES STD BEARINGS, OIL PAN GASKET, AND SPLIT GASKETS)

1D11

6076 ENGINE (ENGINE SERIAL NUMBER -499999)

CYLINDER BLOCK
(ENGINE SERIAL NO. -499999)
(WITHOUT HEAD BOLTS)
RGP2850 -UN-01JAN94



1D12

6076 ENGINE (ENGINE SERIAL NUMBER -499999)

CYLINDER BLOCK - CONTINUED
(ENGINE SERIAL NO. -499999)
(WITHOUT HEAD BOLTS)

KEY	PART NO.	PART NAME	QTY	ENGINE SERIAL NO.	REMARKS
1	AT13740	DRAIN VALVE	1		
2	R114130	STUD	5		(SUB FOR R55396, APPL)
3	15H624	PIPE PLUG	4		1/2"
4	R39741	DRAIN PLUG	1		
5	U13639	O-RING	1		
6	R106859	STUD	1		(SUB FOR F3646R OR R26622)
7	R55395	STUD	1		
8	15H690	PIPE PLUG	1		3/4"
9	R42340	BUSHING	2		
10	R1612R	DOWEL PIN	2		(WATER PUMP - NOT INSTALLED)
	R71583	DOWEL PIN	2		(WATER PUMP - NOT INSTALLED) (USE WITH R87570 ONLY)
11	F1743R	DOWEL PIN	2		
12	R104592	PIPE PLUG	6		
13	R21630	PIPE PLUG	1		
14	AR71850	DIPSTICK TUBE	1		(HRW01 - NOT APPLICABLE)
15	R43621	ORIFICE	6		
16	R62930	BUSHING	2		
17	R42365	BOLT	14		
18	R70268	WASHER	14		
19	R57158	BEARING CAP	6		(MAIN)
	R57159	BEARING CAP	1		(THRUST)
20	R82007	CAP	1		
21	R87561	BUSHING	4		
22	R61288	DOWEL PIN	1		
23	15H686	PIPE PLUG	1		1"
24	RE30091	CYLINDER BLOCK	1	-158801	(A) (MARKED R88380) (SUB RE65055)
	RE47108	CYLINDER BLOCK	1	158802-XXXXXX	(A) (MARKED R109780) (SUB RE65055)
	RE60396	CYLINDER BLOCK	1	XXXXXX-	(A) (MARKED R122730) (SUB RE65055)
	RE29498	CYLINDER BLOCK	1	-158801	(B) (MARKED R88379) (SUB RE65057)
	RE47106	CYLINDER BLOCK	1	158802-XXXXXX	(B) (MARKED R109777) (SUB RE65057)
	RE60408	CYLINDER BLOCK	1	XXXXXX-	(B) (MARKED R122729) (SUB RE65057)
25	A4365R	O-RING	1		
26	AR61589	PLUG	1		
27	R27149	O-RING	1		
28	AR61533	PLUG	1		
..	H79910	DOWEL PIN	2		(REAR FLANGE - TH001,HH001,HH003, OR HH004) (NOT INCLUDED)

(A) 6076HH001, HH004

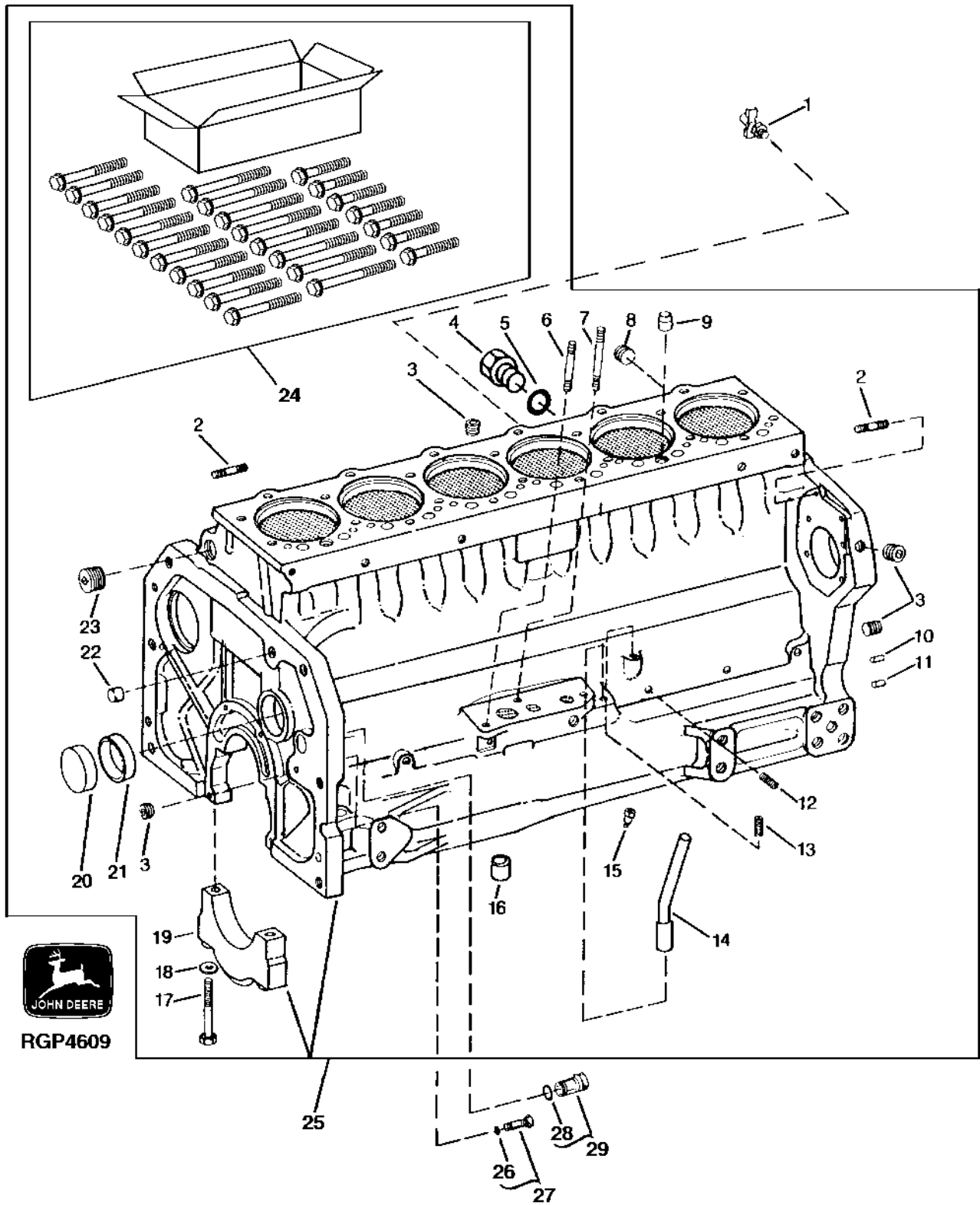
(B) 6076TH001, HH003

1D13

6076 ENGINE (ENGINE SERIAL NUMBER -499999)

CYLINDER BLOCK FITTINGS AND MAIN BEARING CAPS (WITH HEAD BOLTS)

(ENGINE SERIAL NO. -499999)
RGP4609 -UN-30NOV95



1D14

6076 ENGINE (ENGINE SERIAL NUMBER -499999)

**CYLINDER BLOCK, FITTINGS AND MAIN BEARING CAPS - CONTINUED
(WITH HEAD BOLTS)
(ENGINE SERIAL NO. -499999)**

KEY	PART NO.	PART NAME	QTY	ENGINE SERIAL NO.	REMARKS
1	AT13740	DRAIN VALVE	1		
2	R114130	STUD	5		(SUB FOR R55396, APPL)
3	15H624	PIPE PLUG	4		1/2"
4	R39741	DRAIN PLUG	1		
5	U13639	O-RING	1		
6	R106859	STUD	1		(SUB FOR F3646R OR R26622)
7	R55395	STUD	1		
8	15H690	PIPE PLUG	1		3/4"
9	R42340	BUSHING	2		
10	R1612R	DOWEL PIN	4		
11	F1743R	DOWEL PIN	2		
12	R104592	PIPE PLUG	7		
13	R21630	PIPE PLUG	1		
14	AR71850	DIPSTICK TUBE	1		
15	R43621	ORIFICE	6		
16	R62930	BUSHING	2		
17	R42365	BOLT	14		
18	R70268	WASHER	14		
19	R57158	BEARING CAP	6		(MAIN)
	R57159	BEARING CAP	1		(THRUST)
20	R82007	CAP	1		
21	R87561	BUSHING	4		
22	R61288	DOWEL PIN	1		
23	15H686	PIPE PLUG	1		1"
24	RG24025	KIT	1		
25	RE65055	CYLINDER BLOCK	1		(A) (MARKED R122730) (INCLUDES (26) "SPECIAL" HEAD BOLTS)
	RE65057	CYLINDER BLOCK	1		(B) (MARKED R122729) (INCLUDES (26) "SPECIAL" HEAD BOLTS)
26	A4365R	O-RING	1		
27	AR61589	PLUG	1		
28	R27149	O-RING	1		
29	AR61533	PLUG	1		

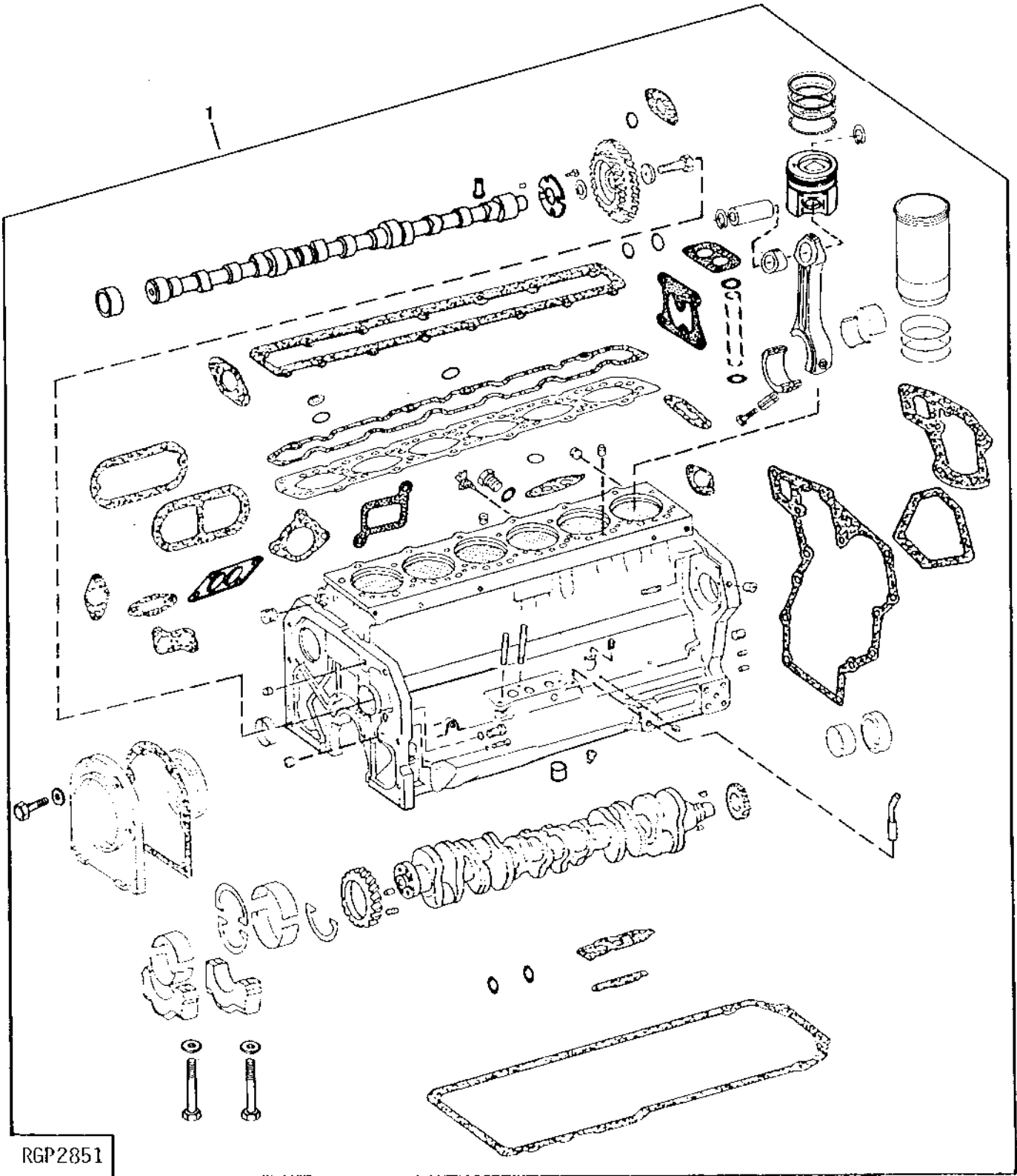
(A) 6076HH001, HH004

(B) 6076TH001, HH003

1D15

6076 ENGINE (ENGINE SERIAL NUMBER -499999)

ENGINE SHORT BLOCK (WITHOUT HEAD BOLTS)
(ENGINE SERIAL NO. -499999)
(6076HH004 - OPT. HP) (6076TH001 - STD. HP - EARLY DESIGN)
RGP2851 -UN-01JAN94



1D16

6076 ENGINE (ENGINE SERIAL NUMBER -499999)

**ENGINE SHORT BLOCK (WITHOUT HEAD BOLTS) - CONTINUED
(ENGINE SERIAL NO. -499999)
(6076HH004 - OPT. HP) (6076TH001 - STD. HP - EARLY DESIGN)**

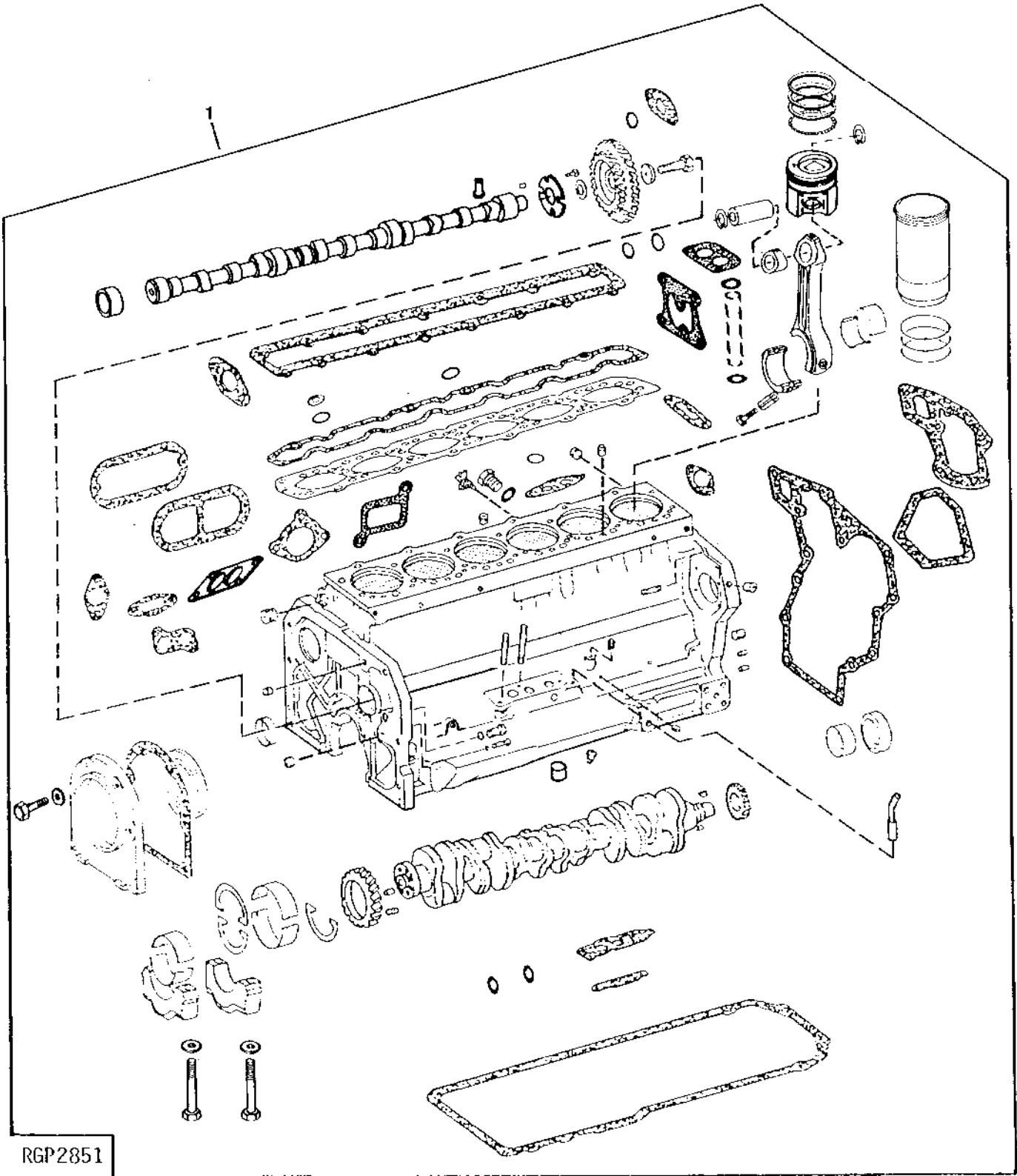
KEY	PART NO.	PART NAME	QTY	ENGINE SERIAL NO.	REMARKS
1	RE35643	SHORT BLOCK ASSEMBLY	1	-158801	(A) (D) (MARKED R88380) (SUB RE65060) (USE WITH R87544)
	RE49831	SHORT BLOCK ASSEMBLY	1	158802-XXXXXX	(A) (D) (MARKED R109780) (SUB RE65060) (USE WITH RE53201 AND R116311)
	RE53446	SHORT BLOCK ASSEMBLY	1		(A) (D) (MARKED R109780) (SUB RE65060) (USE WITH RE53201 AND R116311)
	RE56715	SHORT BLOCK ASSEMBLY	1		(A) (D) (MARKED R109780) (SUB RE65060) (USE WITH R53201 AND R116311)
	RE58459	SHORT BLOCK ASSEMBLY	1		(A) (D) (MARKED R109780) (SUB RE65060) (USE WITH RE53201 AND R116311)
	RE60419	SHORT BLOCK ASSEMBLY	1		(A) (D) (MARKED R122730) (USE WITH RE53201 AND R116311) (SUB RE65060)
	RE36024	SHORT BLOCK ASSEMBLY	1	-158801	(B) (C) (MARKED R88379) (SUB RE65059) (USE WITH R87544)
	RE50589	SHORT BLOCK ASSEMBLY	1	158802-XXXXXX	(B) (C) (MARKED R109777) (SUB RE65059) (USE WITH R87544)
	RE53426	SHORT BLOCK ASSEMBLY	1		(B) (C) (MARKED R109777) (SUB RE65059) (USE WITH RE53201 AND R116311)
	RE58458	SHORT BLOCK ASSEMBLY	1		(B) (C) (MARKED R109777) (SUB RE65059) (USE WITH RE53201 AND R116311)
	RE60410	SHORT BLOCK ASSEMBLY	1		(B) (C) (MARKED R122729) (USE WITH RE53201 AND R116311) (SUB RE65059)

- (A) 6076HH004 (9500 OPT. HP)
- (B) 6076TH001 (9500 STD. HP EARLY DESIGN ENGINE)
- (C) 85 MM INJECTION PUMP BORE
- (D) 95 MM INJECTION PUMP BORE

1D17

6076 ENGINE (ENGINE SERIAL NUMBER -499999)

ENGINE SHORT BLOCK (WITHOUT HEAD BOLTS)
(6076HH003 - 215 HP) (STD. HP - LATE DESIGN)
(ENGINE SERIAL NO. -499999)
RGP2851 -UN-01JAN94



RGP2851

1D18

6076 ENGINE (ENGINE SERIAL NUMBER -499999)

ENGINE SHORT BLOCK (WITHOUT HEAD BOLTS) - CONTINUED
(6076HH003 - 215 HP) (STD. HP - LATE DESIGN)
(ENGINE SERIAL NO. -499999)

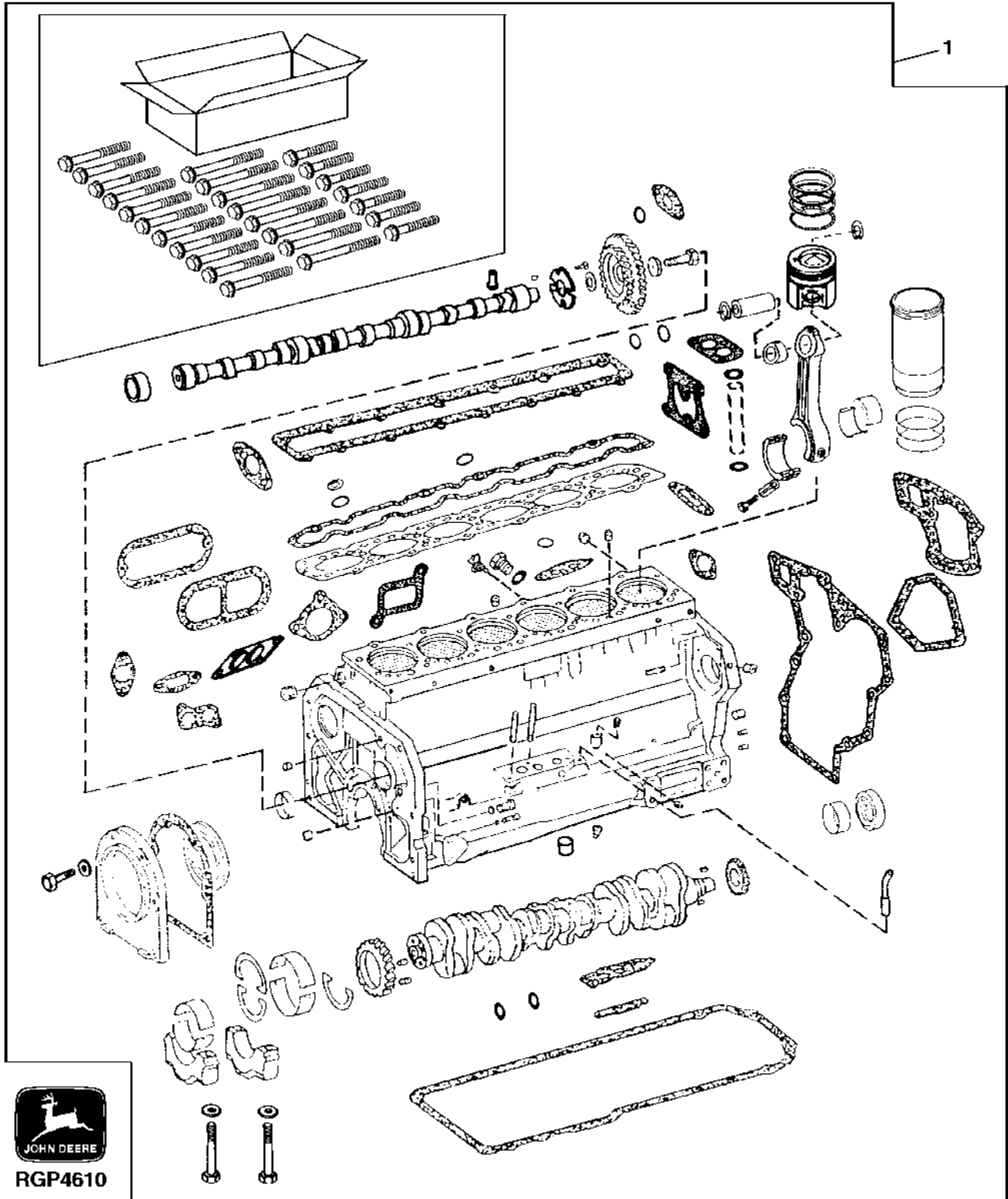
KEY	PART NO.	PART NAME	QTY	ENGINE SERIAL NO.	REMARKS
1	RE29499	SHORT BLOCK ASSEMBLY	1	-158801	(MARKED R88379) (SUB RE65058) (USE WITH R63451 OR RE42675)
	RE47107	SHORT BLOCK ASSEMBLY	1	158802-	(MARKED R109777) (SUB RE65058) (USE WITH R63451 OR RE42675)
	RE53465	SHORT BLOCK ASSEMBLY	1		(MARKED R109777) (SUB RE65058) (USE WITH RE53203 AND R116311)
	RE58457	SHORT BLOCK ASSEMBLY	1		(MARKED R109777) (SUB RE65058) (USE WITH RE53203 AND R116311)
	RE60409	SHORT BLOCK ASSEMBLY	1		(MARKED R122729) (USE WITH RE53203 AND R116311) (SUB RE65058)

(A) ALSO ORDER (11) R121320, (8) R121321, (7) R121322 WITH RE60409

1D19

6076 ENGINE (ENGINE SERIAL NUMBER -499999)

**ENGINE SHORT BLOCK
(WITH HEAD BOLTS)**
RGP4610 -UN-30NOV95



1D20

6076 ENGINE (ENGINE SERIAL NUMBER -499999)

**ENGINE SHORT BLOCK - CONTINUED
(WITH HEAD BOLTS)**

KEY	PART NO.	PART NAME	QTY	ENGINE SERIAL NO.	REMARKS
1	RE65060	SHORT BLOCK ASSEMBLY	1	(A) (D) (MARKED R122730)	(INCLUDES (26)
	RE65059	SHORT BLOCK ASSEMBLY	1	"SPECIAL" HEAD BOLTS)	(B) (C) (MARKED R122729)
	RE65058	SHORT BLOCK ASSEMBLY	1	"SPECIAL" HEAD BOLTS)	(INCLUDES (26)
				(E) (C) (MARKED R122729)	"SPECIAL" HEAD BOLTS)

- (A) 6076HH001 (9600 OPT HP)
- (B) 6076TH001 (9500 STD HP EARLY DESIGN ENGINE)
- (C) 85 MM INJECTION PUMP BORE
- (D) 95 MM INJECTION PUMP BORE
- (E) 6076HH003 - 215 HP (STD HP - LATE DESIGN)

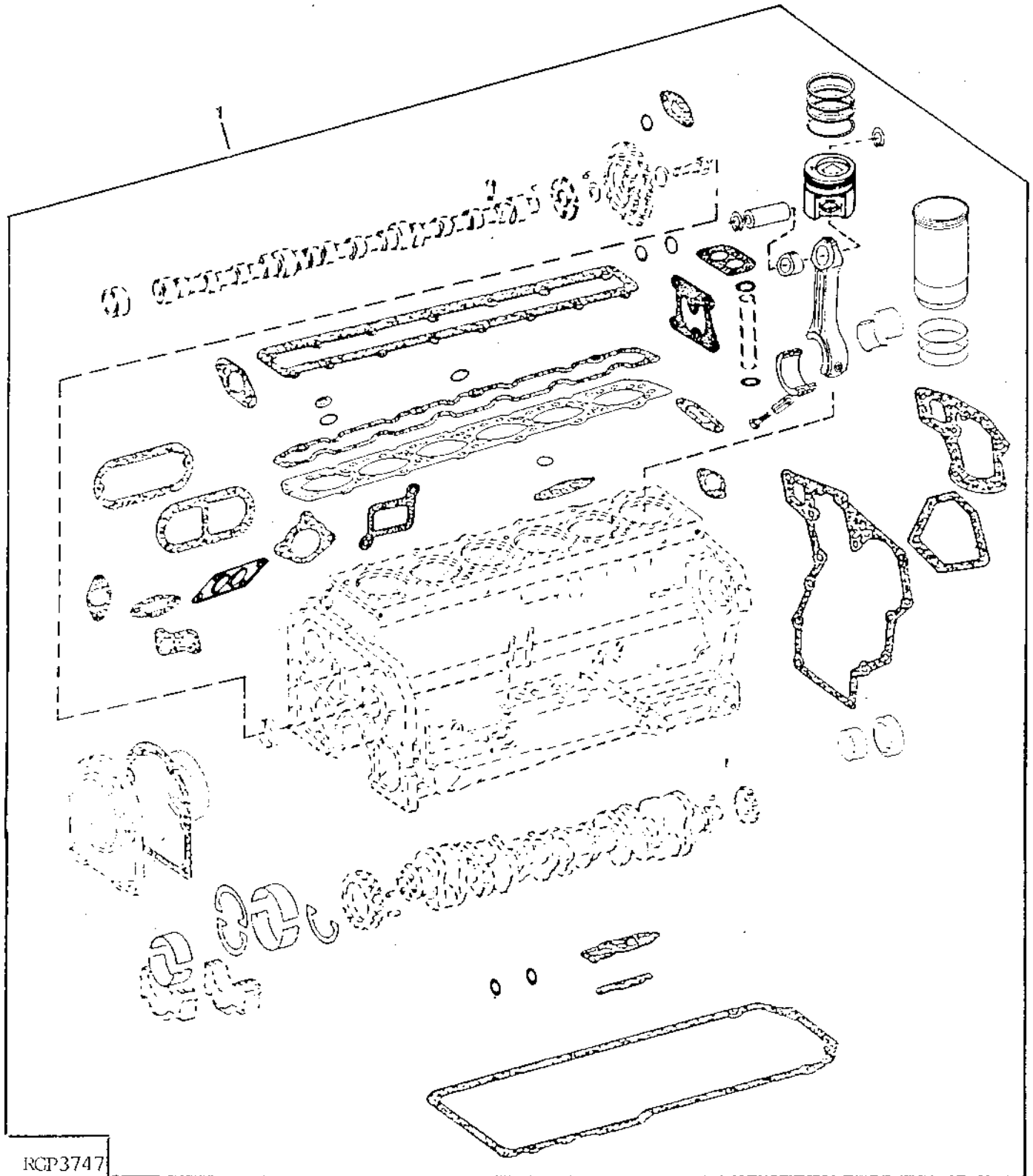
1D21

6076 ENGINE (ENGINE SERIAL NUMBER -499999)

ENGINE OVERHAUL KIT(S) (STD/US BEARINGS OR EXPANDED)

(ENGINE SERIAL NO. -499999)

RGP3747 -UN-01JAN94



RGP3747

1D22

6076 ENGINE (ENGINE SERIAL NUMBER -499999)

ENGINE OVERHAUL KIT(S) (STD/US BEARINGS OR EXPANDED) - CONTINUED
(ENGINE SERIAL NO. -499999)

KEY	PART NO.	PART NAME	QTY	ENGINE SERIAL NO.	REMARKS
1	RG20846	ENGINE OVERHAUL KIT	1	-193860	(CONTAINS (6) RE48739 PISTON LINERS, GASKET KIT, STD BEARINGS, FRONT AND REAR SEALS) (SUB RE60295, APPL)
	RG22797	ENGINE OVERHAUL KIT	1	193861-	(CONTAINS (6) RE57513 PISTON LINERS, GASKET KIT, STD BEARINGS, FRONT AND REAR SEALS) (SUB RE60295)
	RE60295	ENGINE OVERHAUL KIT	1		(CONTAINS (6) RE60294 PISTON LINERS, GASKET KIT, STD BEARINGS, FRONT/REAR SEALS AND SNAP RINGS) (SUB FOR RG20846 OR RG22797) (SUB RG27912)
	RG27912	ENGINE OVERHAUL KIT	1	17DEC7-	
	RE66778	ENGINE OVERHAUL KIT	1		(NOT AS SHOWN) (EXPANDED -STD BEARING KIT) (CONTAINS RE60295 PARTS, (12 R66452, (6) R74008, (6) R57771 AND (4) R87561)
	RE66780	ENGINE OVERHAUL KIT	1		(SUB RG27918) (NOT AS SHOWN)(EXPANDED .010" US BRGS KIT) (CONTAINS (6) RE60294, (6) AR73279, (6) AR74816, AR77750, AR77753, RE35647, AR49025, RE22764, (12) E1343FN, (12) R66452, (6) R74008, (6) R57771 AND (4) R87561)
	RG27918	ENGINE OVERHAUL KIT	1	5JAN98-	

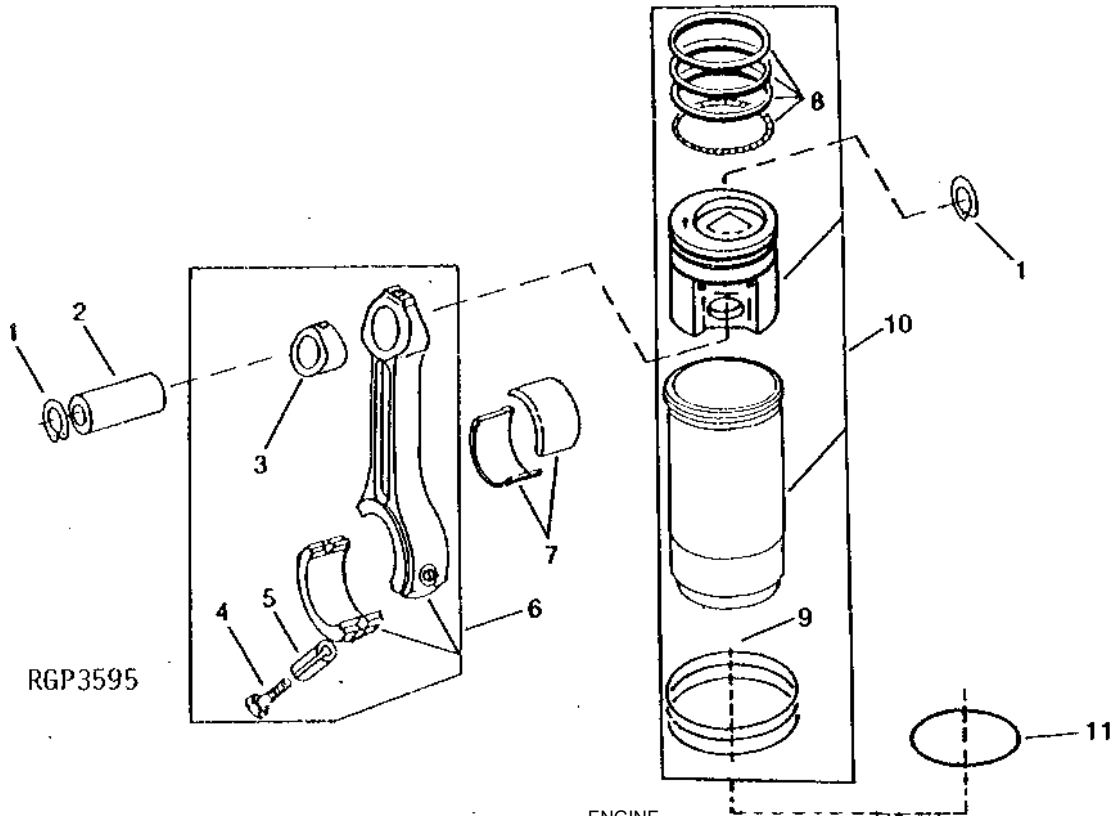
1D23

6076 ENGINE (ENGINE SERIAL NUMBER -499999)

PISTON, RINGS, LINERS AND CONNECTING RODS

(ENGINE SERIAL NO. -499999)

RGP3595 -UN-01JAN94



KEY	PART NO.	PART NAME	QTY	ENGINE SERIAL NO.	REMARKS
1	E1343FN	SNAP RING	12		
2	R57771	PISTON PIN	6		
3	R74008	BUSHING	6		
4	R66452	CAP SCREW	12		
5	R53292	SLEEVE	12		
6	AR93341	CONNECTING ROD	6		
7	AR73277	BEARING	AR		(MARKED R71074)
	AR73278	BEARING	AR		STD (PKG (2) R57583)
	AR73279	BEARING	AR		0.05MM (.002") US (PKG (2) R60485)
	AR73280	BEARING	AR		0.25MM (.010") US (PKG (2) R60486)
	AR73281	BEARING	AR		0.51MM (.020") US (PKG (2) R60487)
	AR73281	BEARING	AR		0.76MM (.030") US (PKG (2) R60488)
8	RE48380	PISTON RING	6	-193860	(SUB FOR RE27012 OR AR73627) (USE WITH RE25652 OR RE50868)
	RE57517	PISTON RING	6	193861-	(USE WITH RE57512)
9	AR98850	KIT	6		
10	RE48739	KIT	6	-193860	(A) (MARKED RE25652 OR RE50868) (SUB FOR RE25254) (SUB RE60294, APPL)
	RE57513	KIT	6	193861-XXXXXX	(A) (MARKED RE57512) (SUB RE60294)
	RE60294	KIT	6	XXXXXX-	(A) (MARKED RE57512)
11	R93948	SHIM	2		(A) 0.05MM (.002") (MAX)

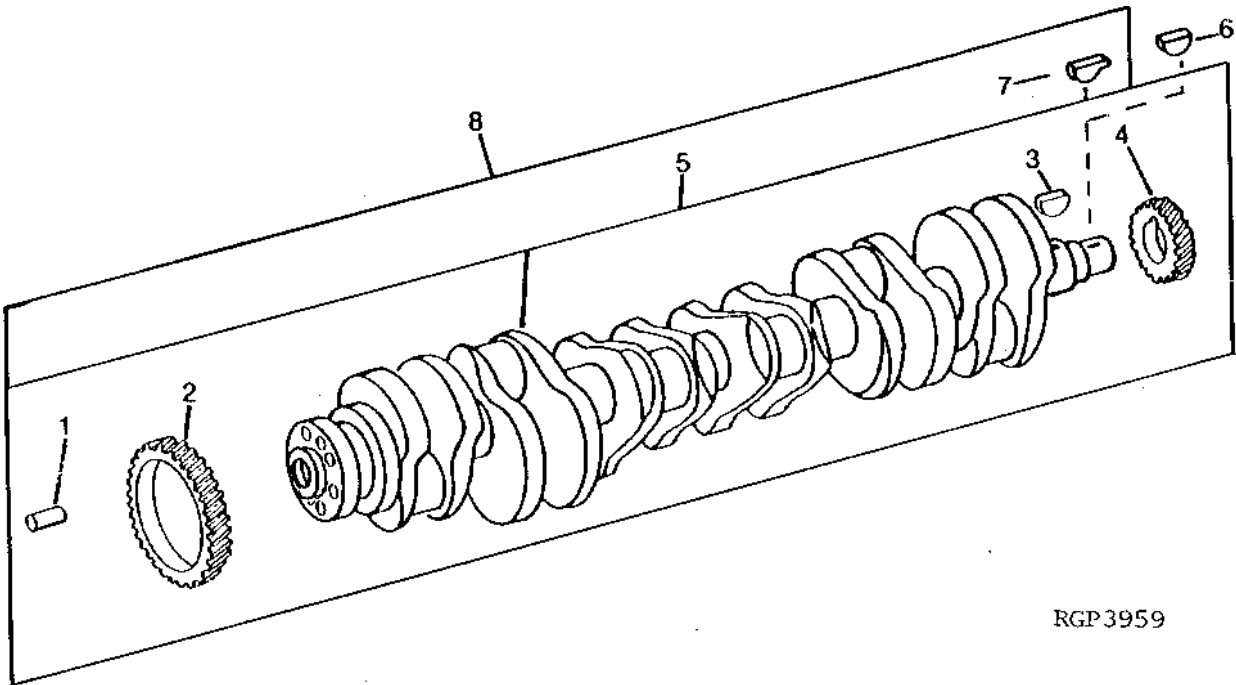
(A) LINERS WITH MARKED FOUR DIGIT DATE CODE AT ENGINE SERIAL NO. (134594-)

1D24

6076 ENGINE (ENGINE SERIAL NUMBER -499999)

CRANKSHAFT

(ENGINE SERIAL NO. -499999) (235HP/HH004 OR 253HP/HH001)
 (ENGINE SERIAL NO. -499999) (190HP) (EARLY DESIGN - STD. HP) (6076TH001)
 (USE WITH RE33390 CAMSHAFT GEAR)
 RGP3959 -UN-01JAN94

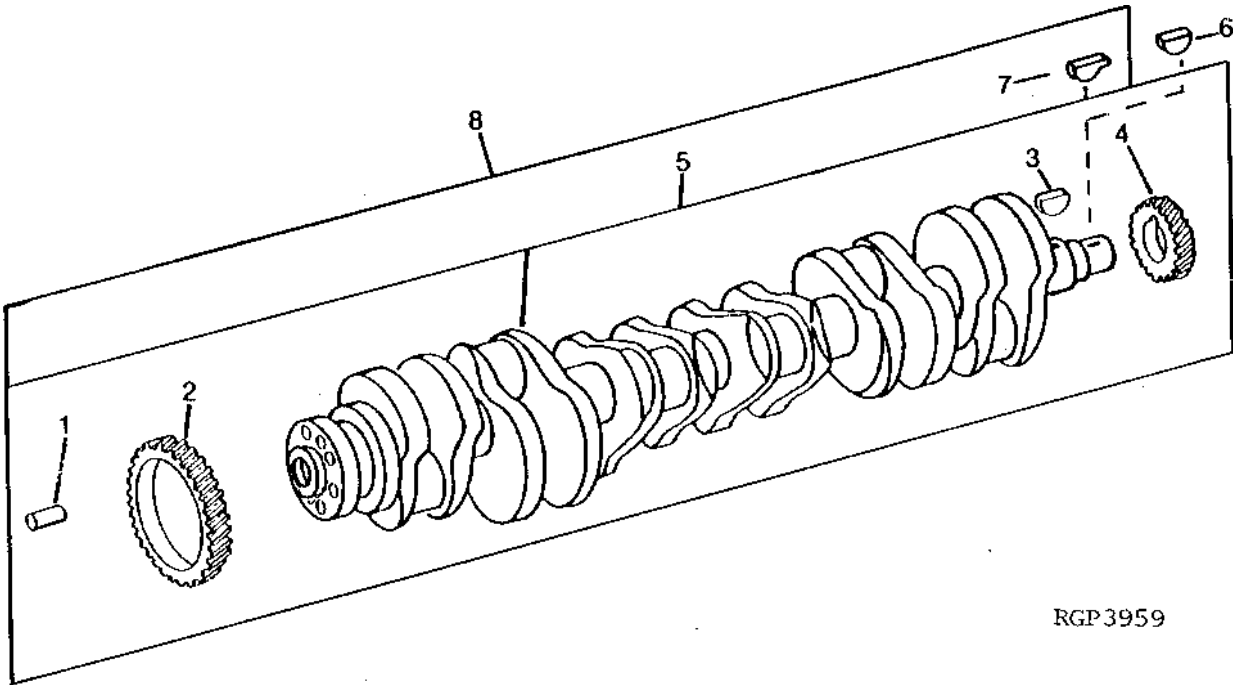


KEY	PART NO.	PART NAME	QTY	ENGINE SERIAL NO.	REMARKS
1	R41934	DOWEL PIN	1		
2	R63326	GEAR	1	(SUB RE63293, APPL)	
3	R120752	KEY	1		
4	R86565	GEAR	1	(35MM WIDE) (USE WITH R87544 OR RE33390 CAMSHAFT GEAR, APPL)	
5	RE27132	CRANKSHAFT	1	(MARKED R87544) (SUB FOR RE27875) (SUB RE63293) (USE WITH R87570)	
6	26H85	SHAFT KEY	1	1/4" X 1", (USE WITH R87544)	
7	R116311	KEY	1	(USE WITH RE53201)	
8	RE63293	CRANKSHAFT	1	(MARKED RE53201) (SUB FOR RE27875, RE27132 OR RE53201)	

1D25

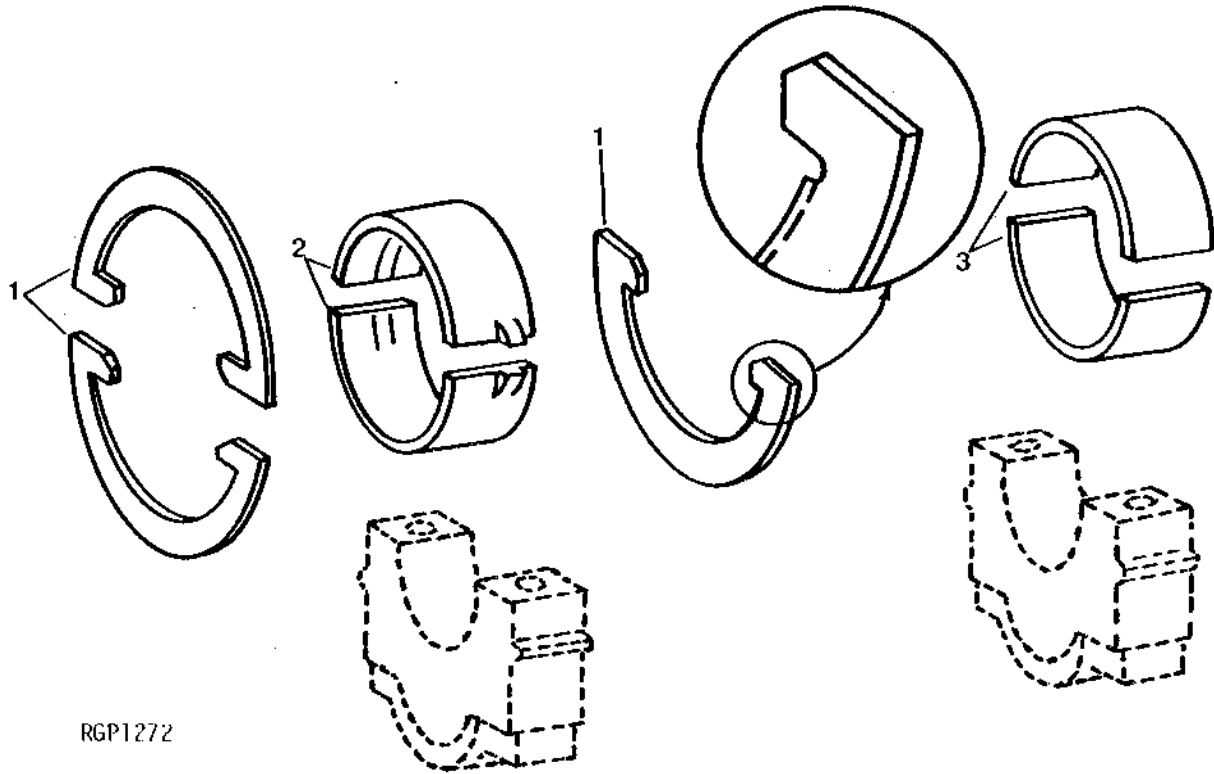
6076 ENGINE (ENGINE SERIAL NUMBER -499999)

CRANKSHAFT
 (ENGINE SERIAL NO. -499999) (215HP) (LATE DESIGN-STD HP) (6076HH003)
 (USE WITH RE27839 CAMSHAFT GEAR)
 RGP3959 -UN-01JAN94



RGP3959

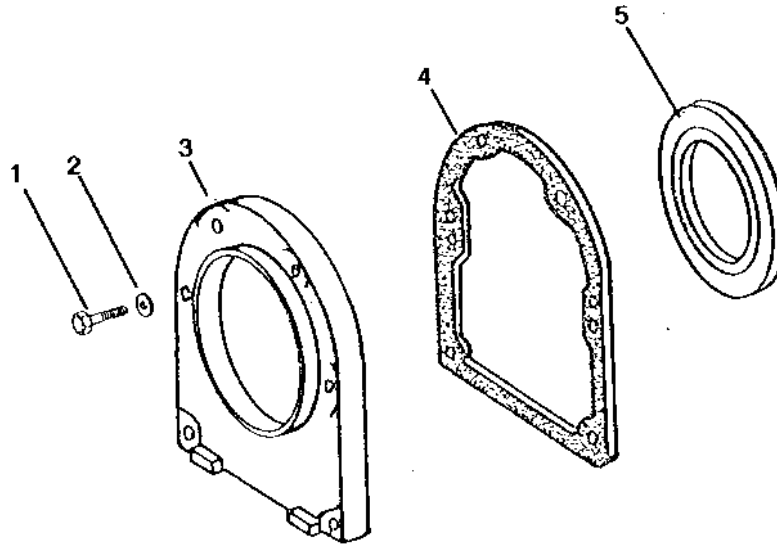
KEY	PART NO.	PART NAME	QTY	ENGINE SERIAL NO.	REMARKS
1	R41934	DOWEL PIN	1		
2	R63326	GEAR	1		(SUB RE53422, APPL)
3	R120752	KEY	1		1/8" X 0.625"
4	R26049	GEAR	1	-161875	(USE WITH R63451)
	R105488	GEAR	1	161876-	(23 MM WIDE) (USE WITH RE42675 OR RE53203)
5	AR96189	CRANKSHAFT	1	-161875	(MARKED R63451) (USE WITH R71316) (SUB RE42671)
	RE42671	CRANKSHAFT	1	161876-	(MARKED RE42675) (USE WITH R71316)
6	26H85	SHAFT KEY	1		1/4" X 1", (USE WITH R63451 OR RE42675)
7	R116311	KEY	1		(USE WITH RE53203)
8	RE53422	CRANKSHAFT	1		(MARKED RE53203)

MAIN AND MAIN THRUST BEARINGS
 RGP1272 -UN-01JAN94


RGP1272

KEY	PART NO.	PART NAME	QTY	ENGINE SERIAL NO.	REMARKS
1	AR77747	THRUST WASHER	1		STD (PKG (3) R62986)
	AR77753	THRUST WASHER	1		0.18 MM (.007") OS FLANGE (PKG (2) R63010 AND R62986)
2	AR77748	THRUST BEARING	1		STD (PKG R62987 AND R62988)
	AR77749	THRUST BEARING	1		0.05 MM (.002") US (PKG R63002 AND R63006)
	AR77750	THRUST BEARING	1		0.25 MM (.010") US (PKG R63003 AND R63007)
	AR77751	THRUST BEARING	1		0.51 MM (.020") US (PKG R63004 AND R63008)
	AR77752	THRUST BEARING	1		0.76 MM (.030") US (PKG R63005 AND R63009)
3	AR74814	BEARING	AR		STD (PKG R61289 AND R57584)
	AR74815	BEARING	AR		0.05 MM (.002") US (PKG R61608 AND R60472)
	AR74816	BEARING	AR		0.25 MM (.010") US (PKG R61609 AND R60473)
	AR74817	BEARING	AR		0.51 MM (.020") US (PKG R61610 AND R60474)
	AR74818	BEARING	AR		0.76 MM (.030") US (PKG R61611 AND R60475)

CRANKSHAFT OIL SEAL AND HOUSING
RGP2382 -UN-01JAN94



RGP2382

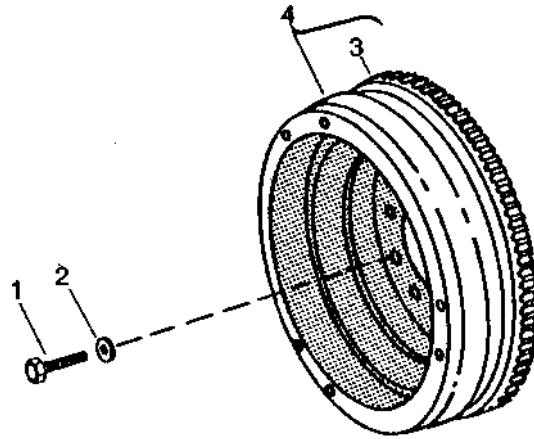
KEY	PART NO.	PART NAME	QTY	ENGINE SERIAL NO.	REMARKS
1	R47074	CAP SCREW	6		
2	T27860	WASHER	6		
3	R125027	HOUSING	1		
4	R26058	GASKET	1		
5	RE22764	SEAL	1		

1E3

6076 ENGINE (ENGINE SERIAL NUMBER -499999)

FLYWHEEL

RGP198 -UN-01JAN94



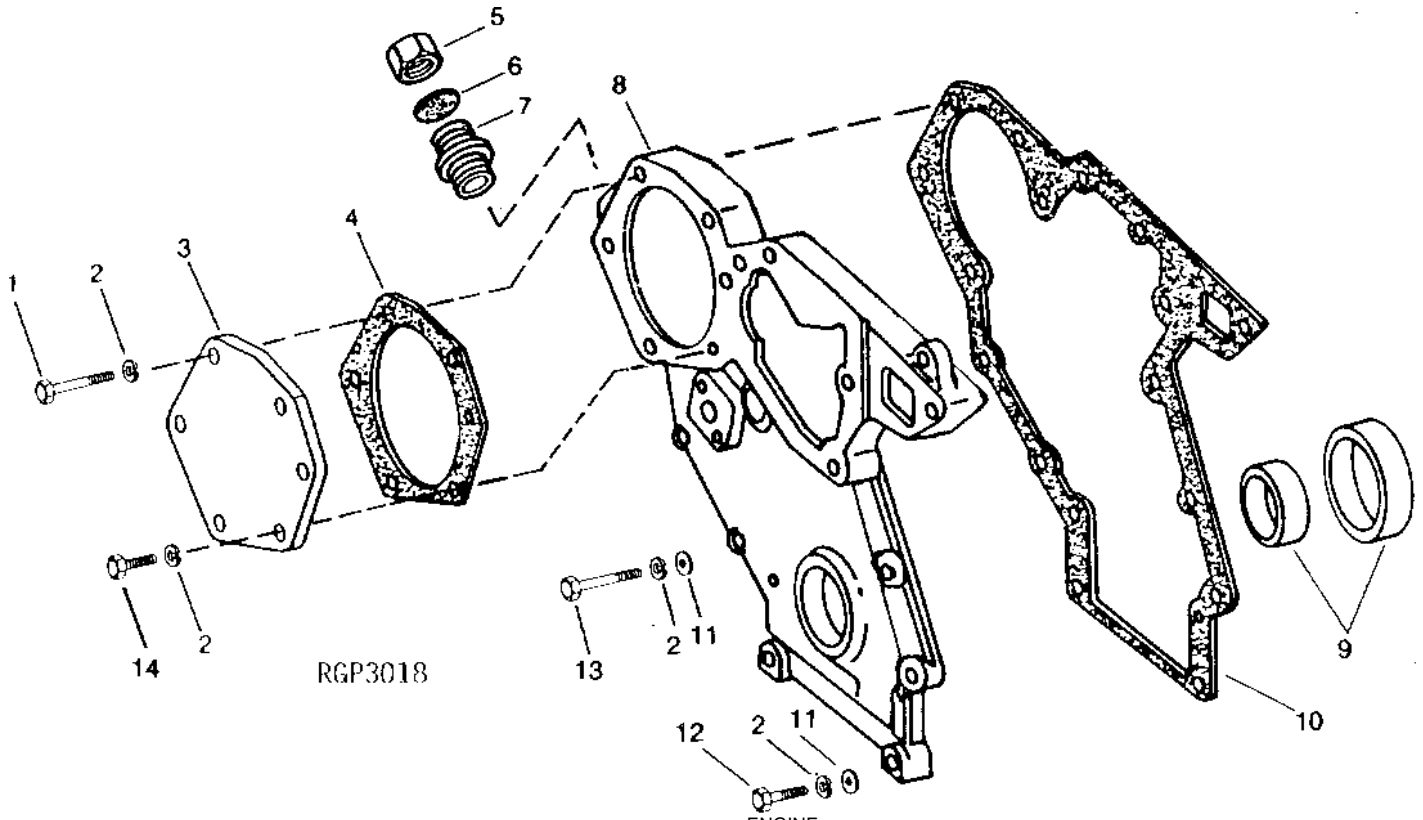
RGP198

KEY	PART NO.	PART NAME	QTY	ENGINE SERIAL NO.	REMARKS
1	R121199	CAP SCREW	6		12.700 X 50.800 MM (1/2" X 2") (SUB FOR R43369 OR R112884)
2	T23891	WASHER	6		(SUB T21242)
3	R28811	RING GEAR	1		
4	AR95426	FLYWHEEL	1		(MARKED R73271) (SUB RE57733)
	RE57733	FLYWHEEL	1		(MARKED R125183) (SUB RE502510)
	RE502510	FLYWHEEL	1		(MARKED R501414)

1E4

6076 ENGINE (ENGINE SERIAL NUMBER -499999)

TIMING GEAR COVER AND FRONT OIL SEAL
(215HP) (6076HH003) (NARROW GEAR TRAIN)
(ENGINE SERIAL NO. -499999)
 RGP3018 -UN-01JAN94

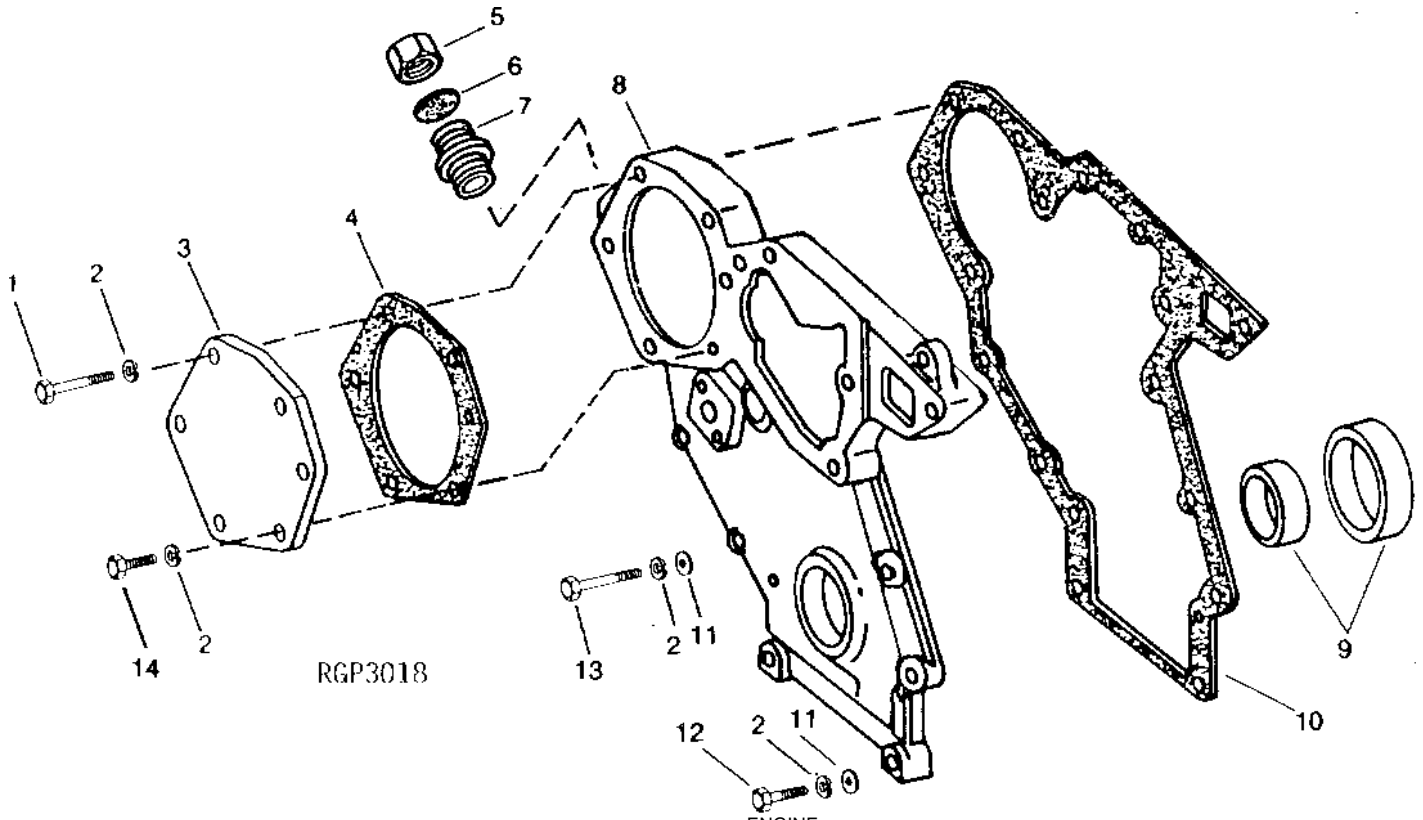


KEY	PART NO.	PART NAME	QTY	ENGINE SERIAL NO.	REMARKS
1	19H1907	CAP SCREW	4		5/16" X 2-3/4"
2	12H303	LOCK WASHER	1		5/16", (USE WITH 19H1907)
	12H303	LOCK WASHER	11		5/16", (NO LONGER REQUIRED)
3	R50393	COVER	1		
4	R50390	GASKET	1		
5	T20294	CAP	1		
6	T20328	GASKET	1		
7	R50354	THREADED NIPPLE	1		
8	R71316	COVER	1		
9	AR49025	SEAL	1		
10	R71314	GASKET	1		
11	24H1136	WASHER	6		11/32" X 11/16" X 0.065", (NO LONGER REQUIRED WITH R104859 OR R112269)
12	R104859	CAP SCREW	4		
13	R112269	CAP SCREW	2		
14	19H1905	CAP SCREW	1		5/16" X 1"
	19H1904	CAP SCREW	1		5/16" X 3", (ALTERNATOR ADJUSTING STRAP)

1E5

6076 ENGINE (ENGINE SERIAL NUMBER -499999)

TIMING GEAR COVER AND FRONT OIL SEAL
 (ENGINE SERIAL NO. -499999) (WIDE GEAR TRAIN)
 (190HP/TH001, 235HP/HH001 OR 253HP/HH001)
 RGP3018 -UN-01JAN94

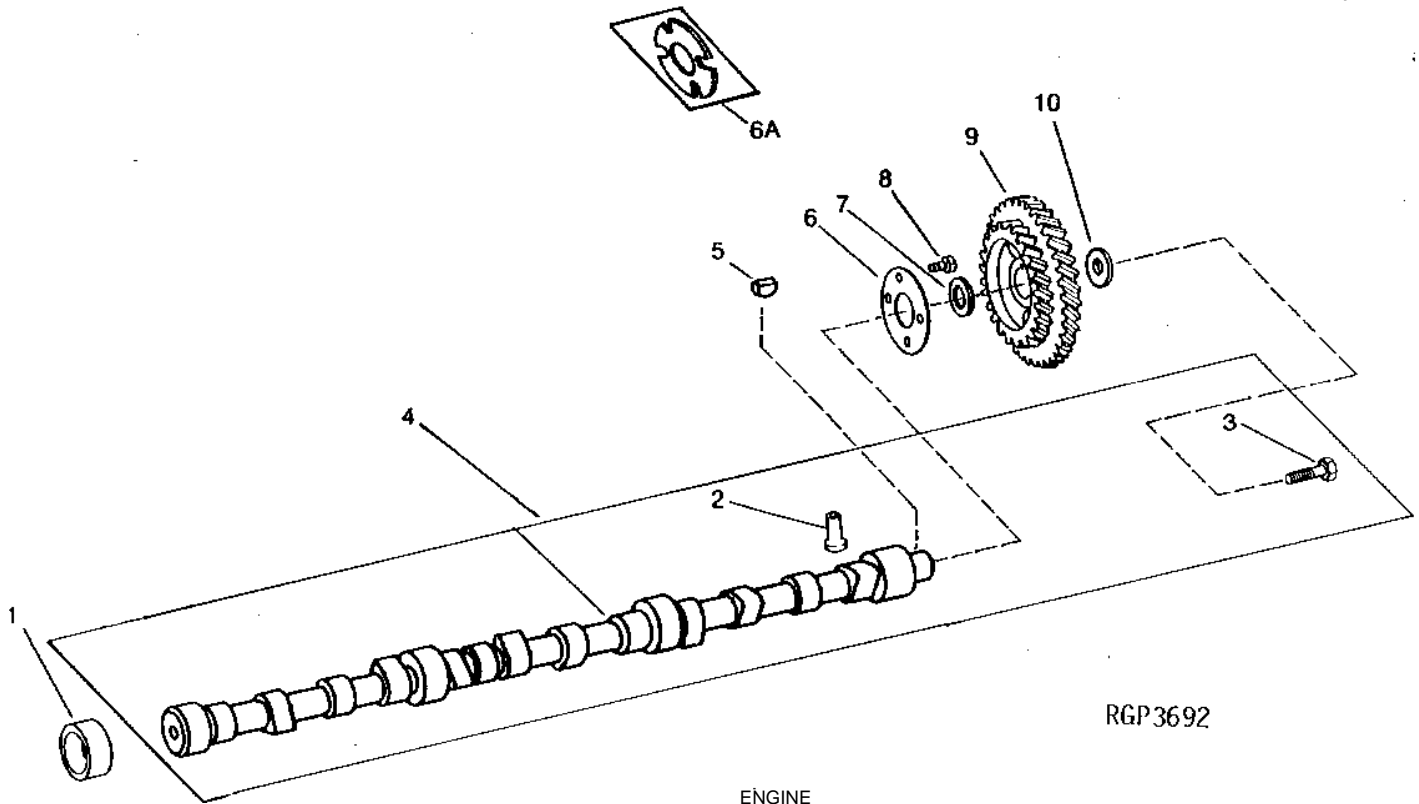


KEY	PART NO.	PART NAME	QTY	ENGINE SERIAL NO.	REMARKS
1	R104861	CAP SCREW	4		
2	12H303	LOCK WASHER	7	5/16"	
	12H303	LOCK WASHER	5	5/16"	ACCESS COVER (NO LONGER REQUIRED)
3	R50393	COVER	1		
4	R50390	GASKET	1		
5	T20294	CAP	1		
6	T20328	GASKET	1		
7	R50354	THREADED NIPPLE	1		
8	R87570	COVER	1		
9	AR49025	SEAL	1		
10	R71314	GASKET	1		
11	24H1136	WASHER	6	11/32" X 11/16" X 0.065"	
12	19H3552	CAP SCREW	2	5/16" X 1-1/2"	
13	19H2569	CAP SCREW	4	5/16" X 1-5/8"	
14	R112268	CAP SCREW	1		
	19H1897	CAP SCREW	1	5/16" X 3-3/4"	(ALTERNATOR ADJUSTING STRAP)

1E6

6076 ENGINE (ENGINE SERIAL NUMBER -499999)

CAMSHAFT AND GEAR (USE W/R86565 GEAR (35MM WIDE)/RE53201 CRANKSHAFT)
 (ENGINE SERIAL NO. -499999) (WIDE GEAR TRAIN)
 (190HP/TH001, 235HP/HH004 OR 253HP/HH001)
 RGP3692 -UN-01JAN94

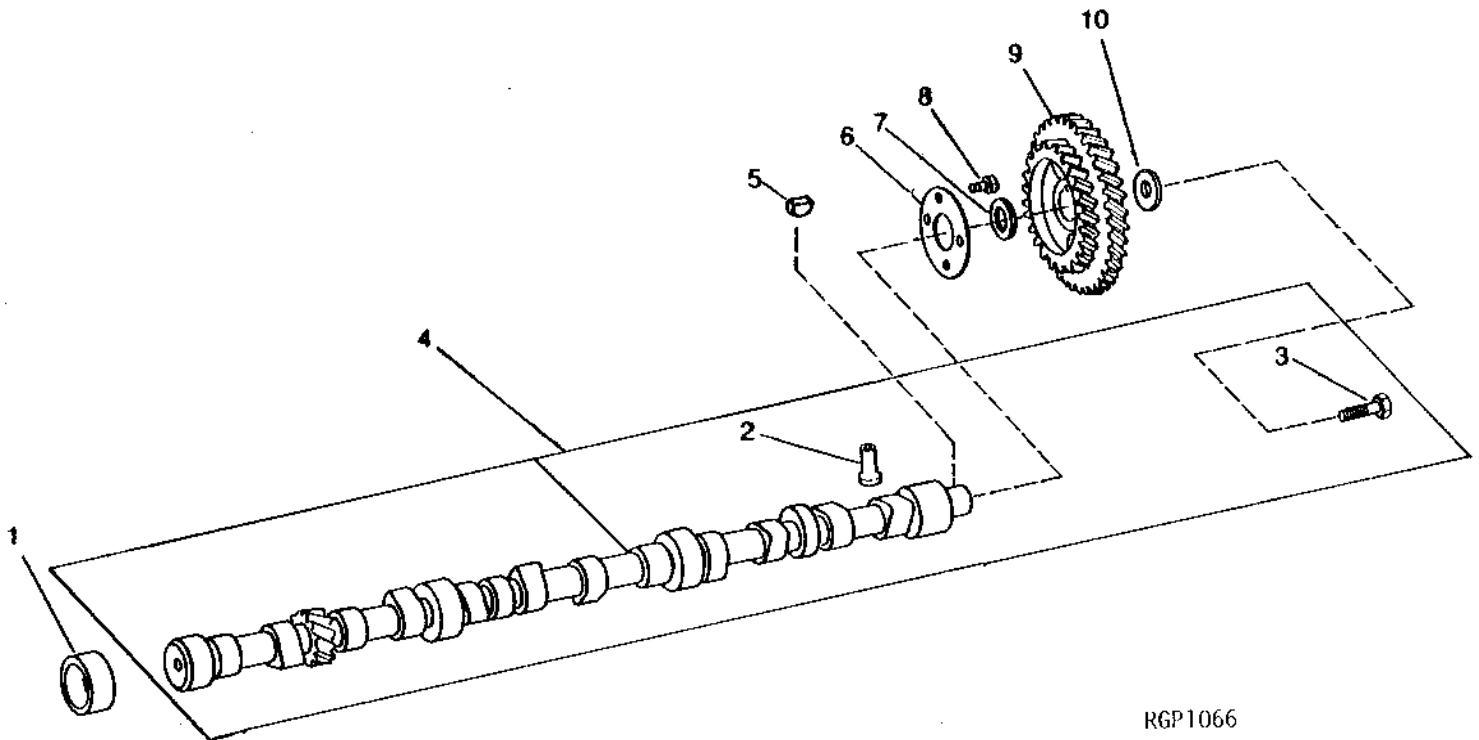


KEY	PART NO.	PART NAME	QTY	ENGINE SERIAL NO.	REMARKS
1	R87561	BUSHING	4		
2	R105379	CAM FOLLOWER	12		(SUB FOR R91747) (USE WITH R84828 OR R105494)
	R110126	CAM FOLLOWER	12		(USE WITH R108370)
3	R85319	CAP SCREW	1		14.288 X 104.648 MM (9/16" X 4.120")
4	RE29526	CAMSHAFT	1	-121169	(MARKED R84828) (SUB RG22421)
	RG19170	CAMSHAFT	1	121170-	(MARKED R105494) (SUB RG22421)
	RG22421	CAMSHAFT	1		(MARKED R108370)
5	26H72	SHAFT KEY	1		1/8" X 5/8"
6	R84958	THRUST WASHER	1	-128227	(SUB R100942) (USE WITH R87570)
6A	R100942	THRUST WASHER	1	128228-	(USE WITH R87570)
7	R84959	WASHER	1		
8	19H2894	SCREW	3		5/16" X 0.620"
9	RE33390	GEAR	1		(MATCHED SET W/INJECTION PUMP GEAR)
10	R84960	SPACER	1		

1E7

6076 ENGINE (ENGINE SERIAL NUMBER -499999)

CAMSHAFT AND GEAR (USE W/R105488 GEAR (23MM WIDE)/RE53422 CRANKSHAFT)
 (6076HH003) (NARROW GEAR TRAIN)
 (ENGINE SERIAL NO. -499999) (215HP)
 RGP1066 -UN-01JAN94

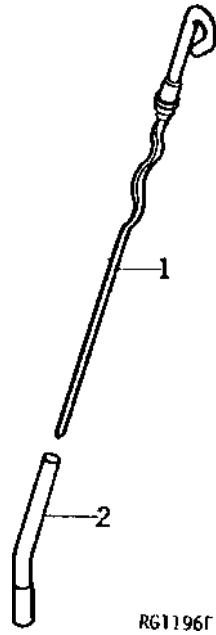


KEY	PART NO.	PART NAME	QTY	ENGINE SERIAL NO.	REMARKS
1	R87561	BUSHING	4		
2	R105379	CAM FOLLOWER	12		(USE WITH R105494)
	R110126	CAM FOLLOWER	12		(USE WITH R108370)
3	R85319	CAP SCREW	1		14.288 X 104.648 MM (9/16" X 4.120")
4	RG19170	CAMSHAFT	1		(MARKED R105494) (SUB RG22421)
	RG22421	CAMSHAFT	1		(MARKED R108370)
5	26H72	SHAFT KEY	1		1/8" X 5/8"
6	R100630	THRUST WASHER	1		(USE WITH R71316)
7	R84959	WASHER	1		
8	19H2894	SCREW	3		5/16" X 0.620"
9	RE27839	GEAR	1		(MATCHED SET WINJECTION PUMP GEAR)
10	R84960	SPACER	1		

1E8

6076 ENGINE (ENGINE SERIAL NUMBER -499999)

ENGINE OIL DIPSTICK AND TUBE
(ENGINE SERIAL NO. -499999)
RG1196 -UN-01JAN94

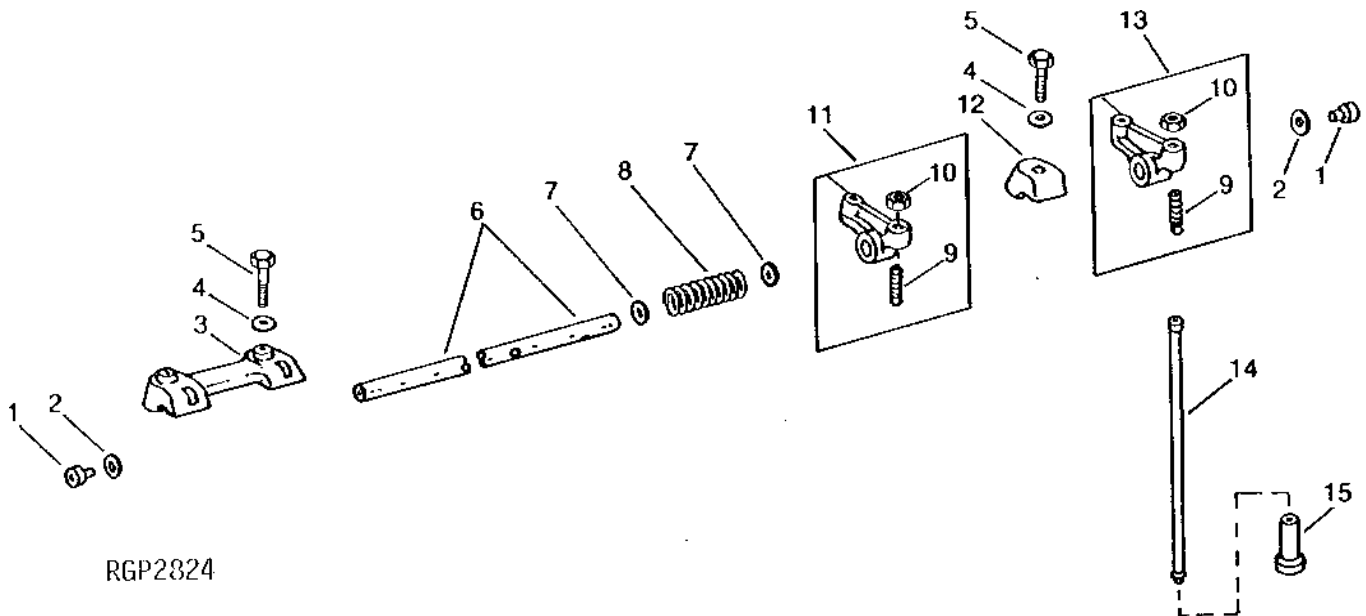


KEY	PART NO.	PART NAME	QTY	ENGINE SERIAL NO.	REMARKS
1	RE37425	DIPSTICK	1	(TH001 OR HH001)	
	AR74021	DIPSTICK	1	(SUB RE37425 FOR TH001 OR HH001, ONLY)	
2	AR71850	DIPSTICK TUBE	1		

ROCKER ARMS, SHAFT AND PUSH RODS

(ENGINE SERIAL NO. -499999)

RGP2824 -UN-01JAN94



KEY	PART NO.	PART NAME	QTY	ENGINE SERIAL NO.	REMARKS
1	R54565	PLUG	2		
2	R26081	WASHER	2		
3	R65553	CLAMP	2		(SUB R136083)
	R136083	CLAMP	2		
4	R26559	WASHER	6		
5	19H1740	CAP SCREW	6	7/16" X 1-3/4"	
6	R70826	ROCKER ARM SHAFT	1		
7	R71208	WASHER	10		
8	R26079	SPRING	5		
9	R27443	SET SCREW	12		
10	14H846	NUT	12	3/8"	
11	RE24045	ROCKER ARM	6	(A) (1E, 2I, 3E, 4I, 5E, 6I) (RH)	
12	R26748	CLAMP	2		
13	RE24046	ROCKER ARM	6	(A) (1I, 2E, 3I, 4E, 5I, 6E) (LH)	
14	R85027	PUSH ROD	12		
15	R105379	CAM FOLLOWER	12	(SUB FOR R91747) (USE WITH R84828 OR R105494)	
	R110126	CAM FOLLOWER	12	(USE WITH R108370)	

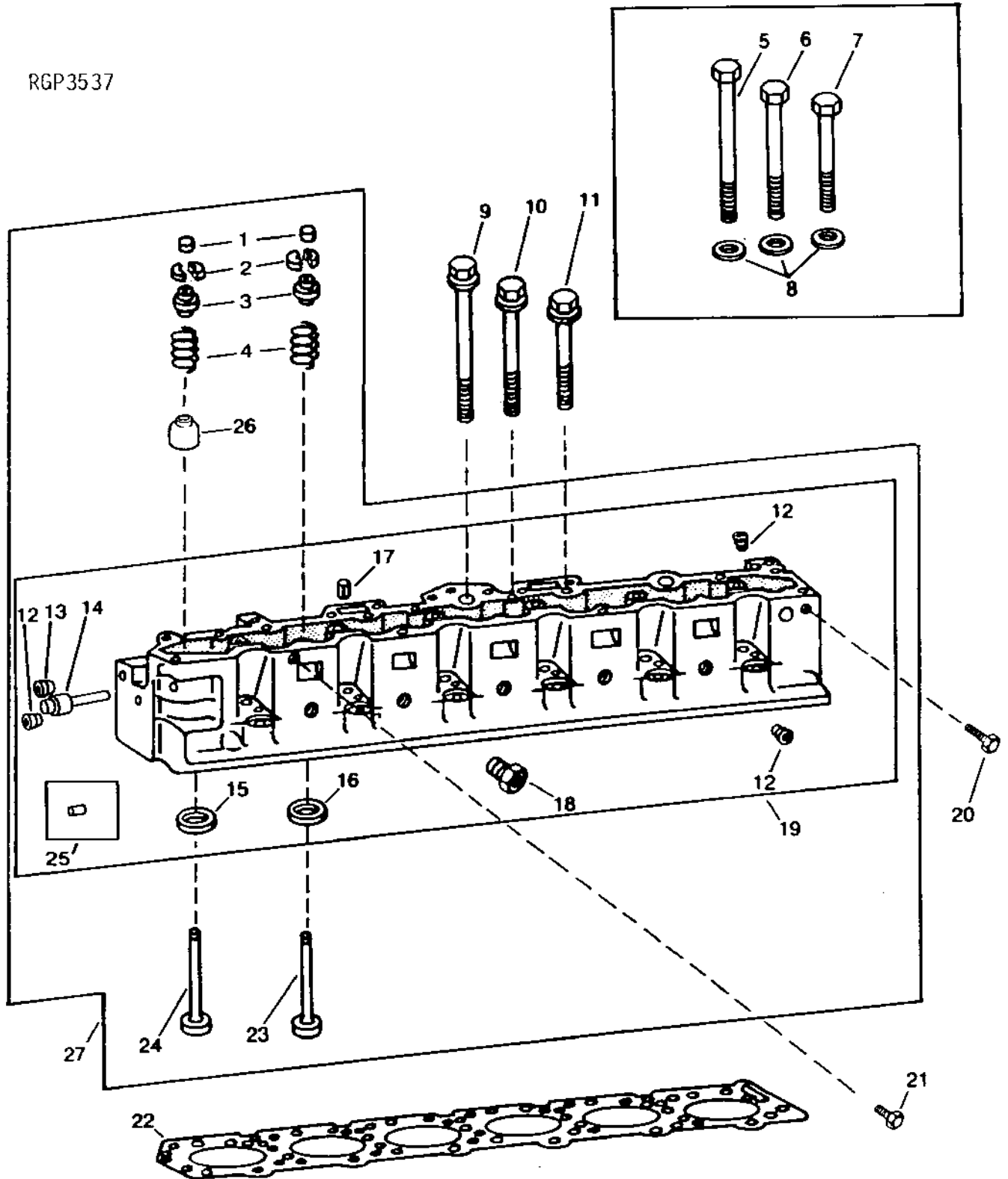
(A) - E (EXHAUST VALVE) - I (INTAKE VALVE)

1E10

6076 ENGINE (ENGINE SERIAL NUMBER -499999)

CYLINDER HEAD AND VALVES
(ENGINE SERIAL NO. -499999)
RGP3537 -UN-01JAN94

RGP3537

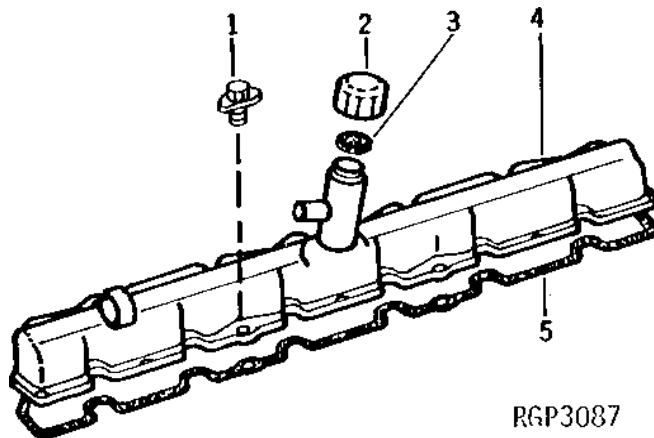


CYLINDER HEAD AND VALVES - CONTINUED
 (ENGINE SERIAL NO. -499999)

KEY	PART NO.	PART NAME	QTY	ENGINE SERIAL NO.	REMARKS
1	T20129	CAP	12		
2	T20077	RETAINER	24		
3	RE11410	ROTATOR	12		
4	R91732	SPRING	12	-129678	(SUB R91822)
	R91822	SPRING	12	129679-	
	R62420	SCREW	7	-101977	(9/16" X 7.4") (SUB R88045)
6	R62419	SCREW	8	-101977	(9/16" X 6.3") (SUB R88044)
7	R62418	SCREW	11	-101977	(9/16" X 5.3") (SUB R88043)
8	R76126	WASHER	26	-101977	14.681 X 25.400 X 2.667 MM (37/64" X 1" X 0.105") (USE WITH R62418, R62419 OR R62420 ONLY, APPL)
9	R88045	SCREW	7	101978-	(A) (9/16" X 7.4")
	R121322	SCREW	7		(B) (MARKED "SPECIAL") (9/16" X 7.4")
10	R88044	SCREW	8	101978-	(A) (9/16" X 6.3")
	R121321	SCREW	8		(B) (MARKED "SPECIAL") (9/16" X 6.3")
11	R88043	SCREW	11	101978-	(A) (9/16" X 5.3")
	R121320	CAP SCREW	11		(B) (MARKED "SPECIAL") (9/16" X 5.3")
12	15H690	PIPE PLUG	10		3/4"
13	15H624	PIPE PLUG	2		1/2" (LH FRONT NO. 5 HOLE NO LONGER REQUIRED)
14	AT107509	PLUG	1	143829-	
15	R84976	VALVE SEAT INSERT	6		EXHAUST
	R93349	VALVE SEAT INSERT	AR		0.25MM (.010") OS
16	R84977	VALVE SEAT INSERT	6		INTAKE
	R93350	VALVE SEAT INSERT	AR		0.25MM (.010") OS
17	34H387	SPRING PIN	1		3/16" X 3/4"
18	R76491	PIPE PLUG	1		
19	RE26380	CYLINDER HEAD	1		(MARKED R86427) (SUB RE58516)
20	19H1756	CAP SCREW	2		5/8" X 1-1/2"
21	19H2367	CAP SCREW	1		5/8" X 3/4"
22	RE47336	ENGINE CYLINDER HEAD GASKET	1		(SUB FOR R55182, RE34010 OR R80026)
23	R84618	INTAKE VALVE	6		STD
	R93308	INTAKE VALVE	AR		0.08MM (.003") OS
	R93312	INTAKE VALVE	AR		0.38MM (.015") OS
	R93314	INTAKE VALVE	AR		0.76MM (.030") OS
24	R84619	EXHAUST VALVE	6		STD
	R93311	EXHAUST VALVE	AR		0.08MM (.003") OS
	R93313	EXHAUST VALVE	AR		0.38MM (.015") OS
	R93315	EXHAUST VALVE	AR		0.76MM (.030") OS
25	F1743R	DOWEL PIN	1	-143828	
26	R102882	SHIELD	6		(EXHAUST VALVES ONLY)
27	RE29528	CYLINDER HEAD	1	-106215	(SUB RE42741)
	RE41216	CYLINDER HEAD	1	106216-129678	(SUB RE42741)
	RE45426	CYLINDER HEAD	1	129679-168023	(MARKED R86427) (SUB RE58516)
	RE42741	CYLINDER HEAD	1	168024-	(MARKED R102932) (SUB RE58516)
	RE58516	CYLINDER HEAD	1		(MARKED R122112)
..	RG24025	KIT	1		(B) (C) (CONTAINS (26) "SPECIAL" HEAD BOLTS)

- (A) USE WITH BLOCKS MARKED BELOW R122723
 (B) USE WITH BLOCKS MARKED R122724 AND ABOVE
 (C) ALSO CONTAINED IN NEW SHORT BLOCK ASSEMBLIES

ROCKER ARM COVER
RGP3087 -UN-01JAN94

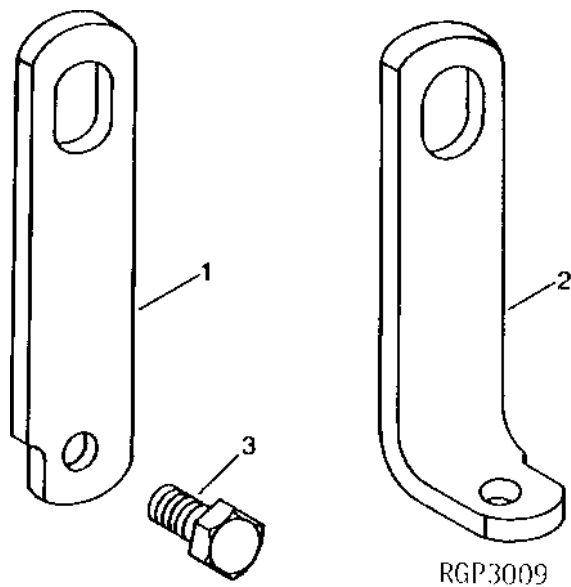


KEY	PART NO.	PART NAME	QTY	ENGINE SERIAL NO.	REMARKS
1	AR100124	SCREW, WITH WASHER	8		
2	T20294	CAP	1		
3	T20328	GASKET	1		
4	AR93173	COVER	1		
5	R49866	GASKET	1		
..	AR31790	ADHESIVE	1		

1E13

6076 ENGINE (ENGINE SERIAL NUMBER -499999)

LIFT STRAPS
(ENGINE SERIAL NO. -499999)
RGP3009 -UN-01JAN94



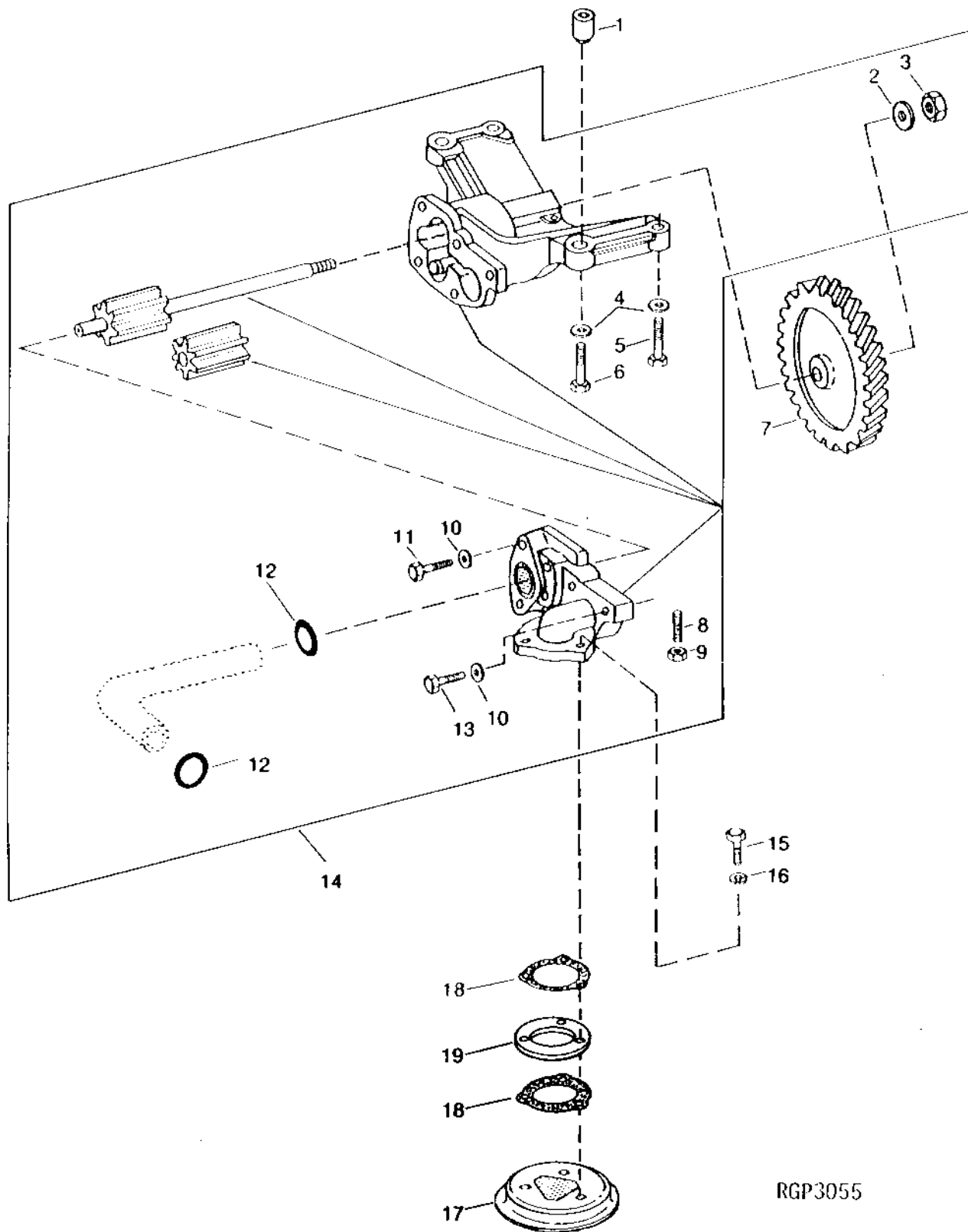
KEY	PART NO.	PART NAME	QTY	ENGINE SERIAL NO.	REMARKS
1	R61497	STRAP	1	(A) (FRONT)	
	R61497	STRAP	2		
2	R86571	ANGLE	1	(A) (REAR)	
3	19H1756	CAP SCREW	2	5/8" X 1-1/2"	

(A) - (HH001 AND TH001)

1E14

6076 ENGINE (ENGINE SERIAL NUMBER -499999)

OIL PUMP (EARLY DESIGN)
(ENGINE SERIAL NO. -499999)
RGP3055 -UN-01JAN94



RGP3055

1E15

6076 ENGINE (ENGINE SERIAL NUMBER -499999)

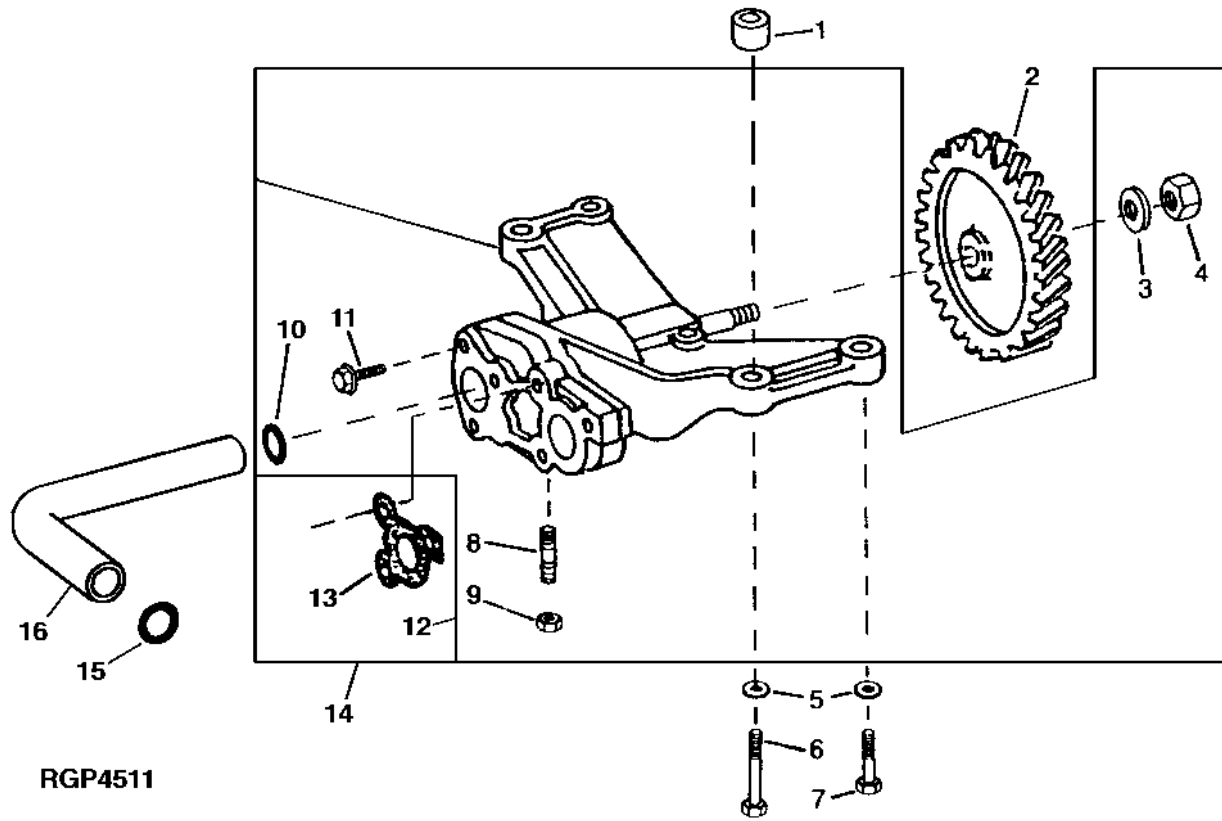
**OIL PUMP (EARLY DESIGN) - CONTINUED
(ENGINE SERIAL NO. -499999)**

KEY	PART NO.	PART NAME	QTY	ENGINE SERIAL NO.	REMARKS
1	R62930	BUSHING	2		
2	T21242	WASHER	1		
3	14H826	NUT	1		1/2", (SUB FOR R79187)
4	R57696	WASHER	4		
5	19H3219	CAP SCREW	2		3/8" X 1-3/8"
6	19H2549	CAP SCREW	2		3/8" X 1-7/8"
7	R62938	GEAR	1		
8	22H1040	SET SCREW	1		5/16" X 1-1/4"
9	14H785	NUT	1		5/16"
10	M72490	WASHER	5		(SUB FOR R42729)
11	19H2733	CAP SCREW	2		3/8" X 2-3/8"
12	R71732	O-RING	2		
13	19H1765	CAP SCREW	3		3/8" X 1-3/4"
14	AR96190	OIL PUMP	1		(SUB RE60622 AND RE38828, APPL)
15	19H2661	CAP SCREW	3		5/16" X 1-3/8"
16	12H303	LOCK WASHER	3		5/16"
17	AR56639	OIL PUMP INTAKE	1		
18	R52049	GASKET	1	-103151	
	R52049	GASKET	2	103152-	
19	R100407	WASHER	1	103152-	

1E16

6076 ENGINE (ENGINE SERIAL NUMBER -499999)

ENGINE OIL PUMP (LATE DESIGN)
(ENGINE SERIAL NO. -499999)
RGP4511 -UN-16JUN95



RGP4511

1E17

6076 ENGINE (ENGINE SERIAL NUMBER -499999)

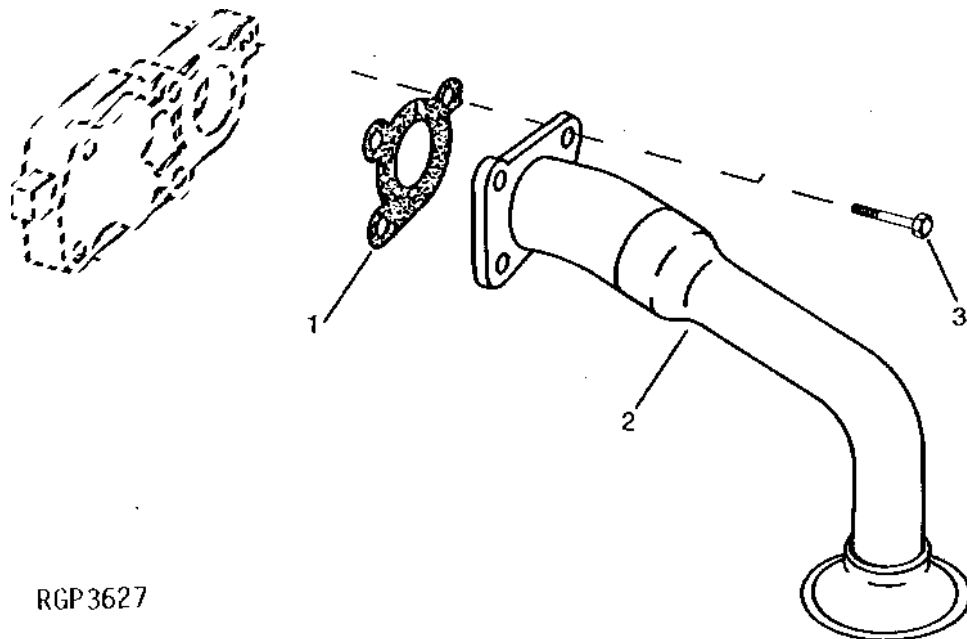
ENGINE OIL PUMP - CONTINUED
(ENGINE SERIAL NO. -499999)

KEY	PART NO.	PART NAME	QTY	ENGINE SERIAL NO.	REMARKS
1	R62930	BUSHING	2		
2	R62938	GEAR	1		
3	T21242	WASHER	1		
4	14H826	NUT	1	1/2"	
5	R57696	WASHER	4		
6	19H2549	CAP SCREW	2	3/8" X 1-7/8"	
7	19H3219	CAP SCREW	2	3/8" X 1-3/8"	
8	22H1040	SET SCREW	1	5/16" X 1-1/4"	
9	14H785	NUT	1	5/16"	
10	R71732	O-RING	1		
11	R104628	CAP SCREW	2		
	R104628	CAP SCREW	3		(INTAKE COVER TO HOUSING)
12	RE44118	OIL PUMP	1		(MARKED R62946) (SUB FOR AR99341 OR AR96190, APPL) (USE WITH RE38828) (SUB RE60622)
13	R100569	GASKET	1		
14	RE60622	OIL PUMP	1		(MARKED R124328) (USE WITH RE38828)
15	R71732	O-RING	1		
16	R62952	OIL TUBE	1		

1E18

6076 ENGINE (ENGINE SERIAL NUMBER -499999)

ENGINE OIL PUMP INTAKE
(ENGINE SERIAL NO. -499999)
RGP3627 -UN-01JAN94



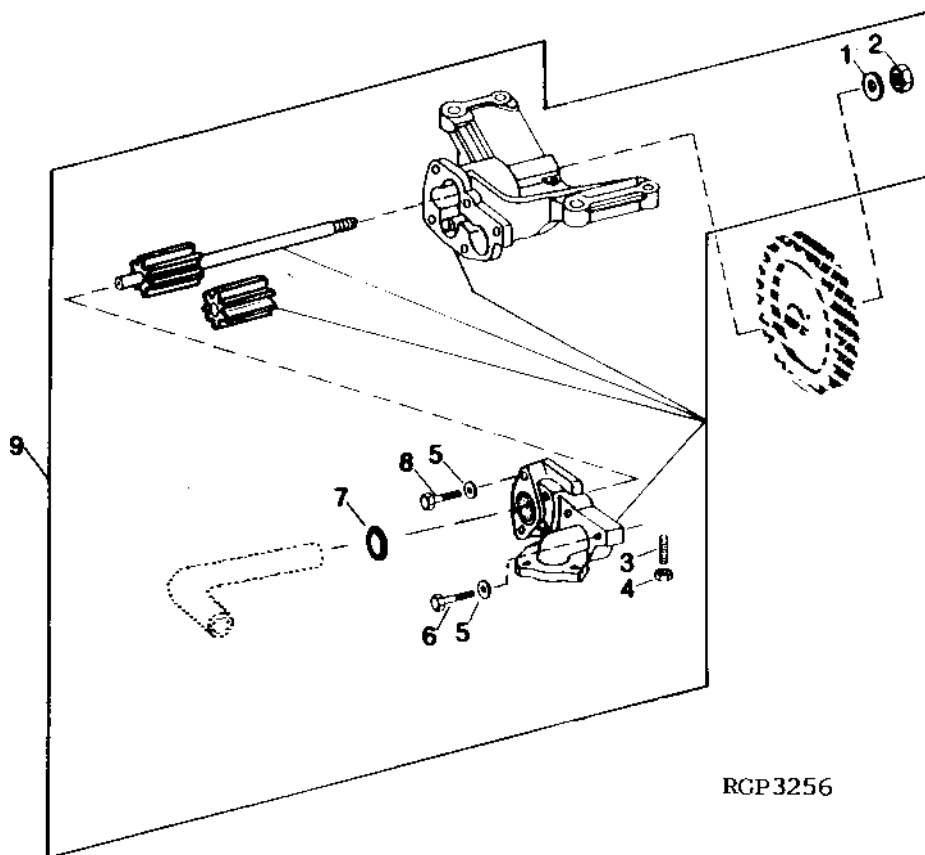
RGP3627

KEY	PART NO.	PART NAME	QTY	ENGINE SERIAL NO.	REMARKS
1	R100569	GASKET	1		
2	RE38828	OIL PUMP INTAKE	1		(USE WITH RE44118 OR RE60622) (SUB RE60550)
	RE60550	OIL PUMP INTAKE	1		
3	R104628	CAP SCREW	3		

1E19

6076 ENGINE (ENGINE SERIAL NUMBER -499999)

REPLACEMENT ENGINE OIL PUMP
 (ENGINE SERIAL NO. -499999)
 RGP3256 -UN-20OCT94



RGP3256

KEY	PART NO.	PART NAME	QTY	ENGINE SERIAL NO.	REMARKS
1	T21242	WASHER	1		
2	14H826	NUT	1	1/2"	
3	22H1040	SET SCREW	1	5/16" X 1-1/4"	
4	14H785	NUT	1	5/16"	
5	M72490	WASHER	5	(SUB FOR R42729)	
6	19H1765	CAP SCREW	3	3/8" X 1-3/4"	
7	R71732	O-RING	1		
8	19H2733	CAP SCREW	2	3/8" X 2-3/8"	
9	AR99341	OIL PUMP	1	(SUB FOR AR96190) (SUB RE60622 AND RE60550, APPL)	

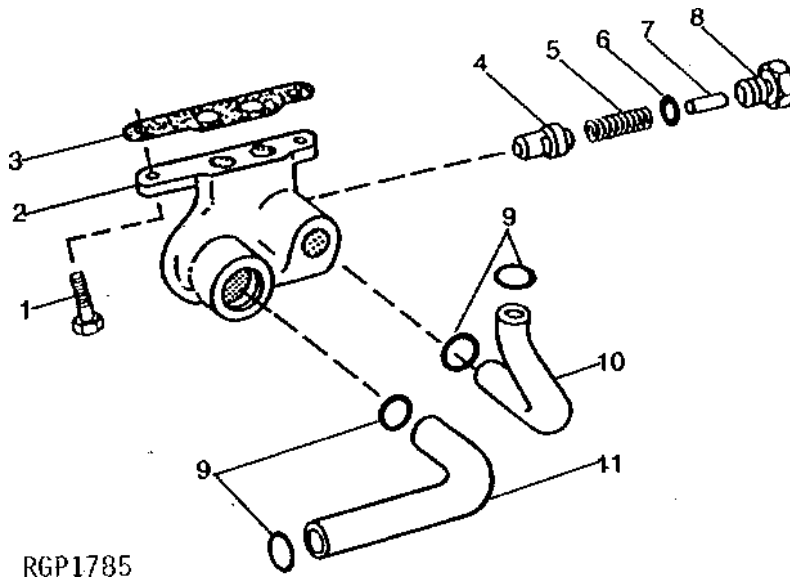
1E20

6076 ENGINE (ENGINE SERIAL NUMBER -499999)

ENGINE OIL COOLER BYPASS VALVE

(ENGINE SERIAL NO. -156313)

RGP1785 -UN-01JAN94



KEY	PART NO.	PART NAME	QTY	ENGINE SERIAL NO.	REMARKS
1	R40236	CAP SCREW	2		
2	R78134	HOUSING	1		
3	R65055	GASKET	1		
4	R49464	VALVE	1		
5	R26151	SPRING	1		
6	U17409	O-RING	1		
7	34H313	SPRING PIN	1	1/4" X 1-1/8"	
8	R49465	DRAIN PLUG	1		
9	R71732	O-RING	4		
10	R50386	OIL TUBE	1		
11	R62952	OIL TUBE	1		

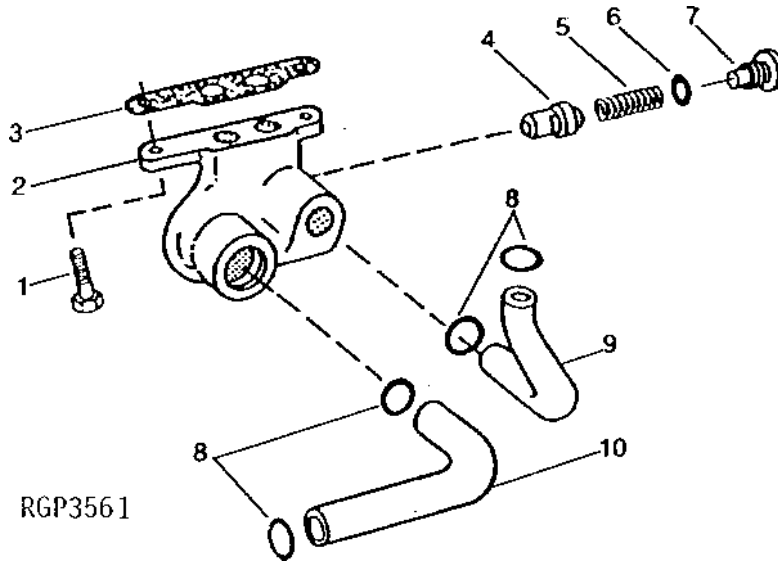
1E21

6076 ENGINE (ENGINE SERIAL NUMBER -499999)

ENGINE OIL COOLER BYPASS VALVE

(ENGINE SERIAL NO. 156314-499999)

RGP3561 -UN-01JAN94

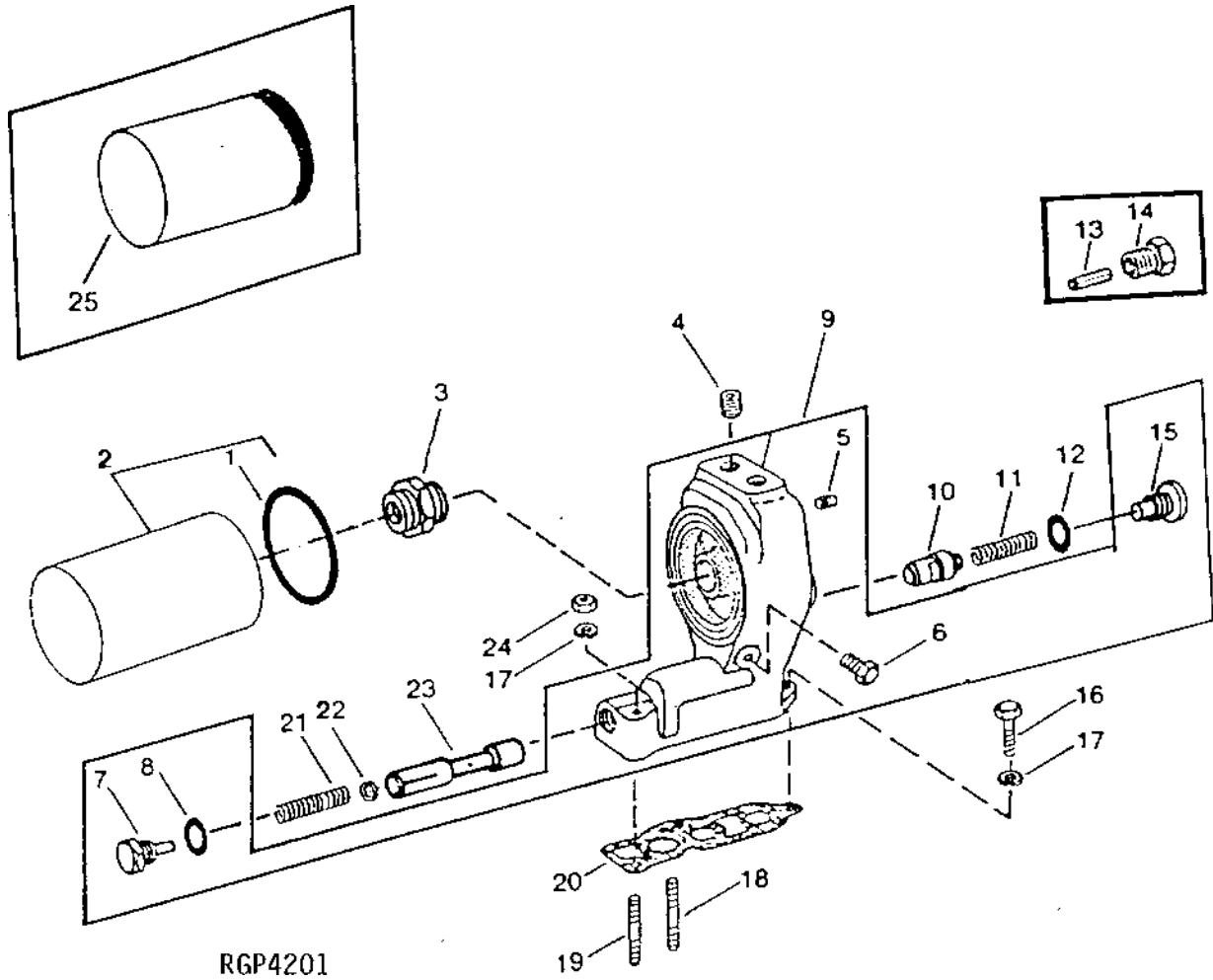


KEY	PART NO.	PART NAME	QTY	ENGINE SERIAL NO.	REMARKS
1	R40236	CAP SCREW	2		
2	R78134	HOUSING	1		
3	R65055	GASKET	1		
4	R49464	VALVE	1		
5	R26151	SPRING	1		
6	U17409	O-RING	1		
7	R86875	FITTING	1		
8	R71732	O-RING	4		
9	R50386	OIL TUBE	1		
10	R62952	OIL TUBE	1		

1E22

6076 ENGINE (ENGINE SERIAL NUMBER -499999)

ENGINE OIL FILTER AND HOUSING
(ENGINE SERIAL NO. -499999)
RGP4201 -UN-01JAN94



RGP4201

1E23

6076 ENGINE (ENGINE SERIAL NUMBER -499999)

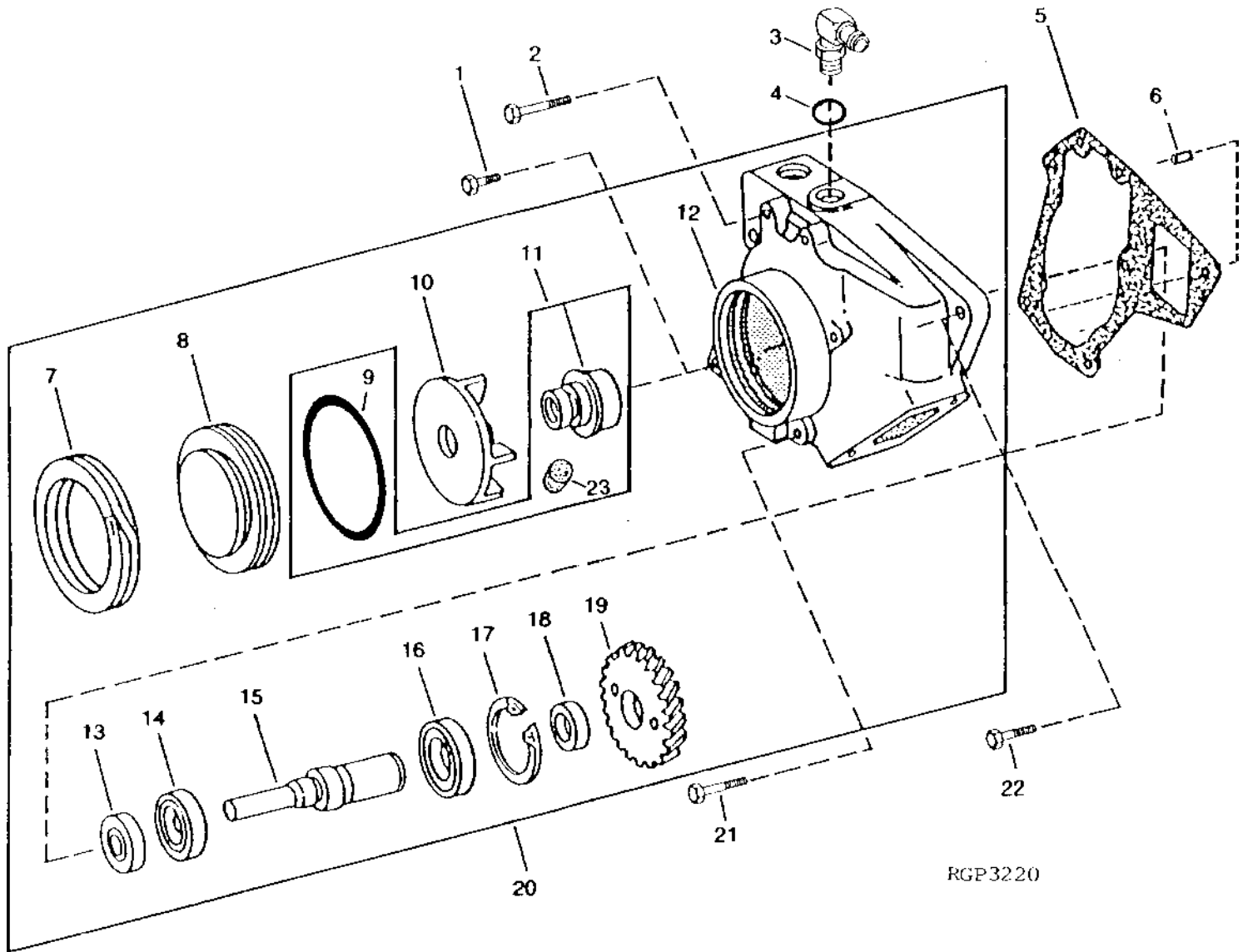
ENGINE OIL FILTER AND HOUSING - CONTINUED
(ENGINE SERIAL NO. -499999)

KEY	PART NO.	PART NAME	QTY	ENGINE SERIAL NO.	REMARKS
1	R43660	PACKING	1		(USE WITH AR98329 OR RE57394)
2	AR101278	OIL FILTER	1		(MARKED AR98329) (SUB RE57394)
	RE57394	OIL FILTER	1		(MARKED RE57394)
3	R104621	ADAPTER	1		(USE WITH AR98329) (SUB FOR R73913, THIS APPLICATION)
4	15H690	PIPE PLUG	2		3/4"
5	R104592	PIPE PLUG	1		
6	R55233	PIPE PLUG	1		
7	AR105510	DRAIN PLUG	1		
8	U17409	O-RING	1		
9	RE24706	HOUSING	1		(MARKED R84946)
10	R49464	VALVE	1		
11	R26151	SPRING	1		
12	U17409	O-RING	1		
13	34H313	SPRING PIN	1	-156313	
14	R49465	DRAIN PLUG	1	-156313	
15	R86875	FITTING	1	156314-	
16	19H3219	CAP SCREW	1		3/8" X 1-3/8"
17	12H304	LOCK WASHER	3		3/8", (NOT REQUIRED WITH E55662)
18	R106859	STUD	1		(SUB FOR F3646R OR R26622, THIS APPLICATION)
19	R55395	STUD	1		
20	R43774	GASKET	1		
21	R43548	SPRING	1		
22	U40750	WASHER	AR		
23	R84947	VALVE	1		(USE WITH R84946)
24	E55662	FLANGE NUT	2		
25	RE46380	OIL FILTER	1		(MARKED RE46380) (SUB RE57394)

1E24

6076 ENGINE (ENGINE SERIAL NUMBER -499999)

WATER PUMP
(ENGINE SERIAL NO. -499999)
RGP3220 -UN-01JAN94



RGP3220

1E25

6076 ENGINE (ENGINE SERIAL NUMBER -499999)

WATER PUMP - CONTINUED
(ENGINE SERIAL NO. -499999)

KEY	PART NO.	PART NAME	QTY	ENGINE SERIAL NO.	REMARKS
1	R39305	CAP SCREW	2		
2	19H2104	CAP SCREW	3		3/8" X 5"
3	AR52206	ELBOW FITTING	1		
4	R26906	O-RING	1		
5	R71315	GASKET	1		
6	R71583	DOWEL PIN	2		(USE WITH R87570 ONLY)
7	R78696	SNAP RING	1		
8	R71226	COVER	1		
9	R71596	O-RING	1		
10	R71225	IMPELLER	1		
11	RE69844	KIT	1		(SUB FOR RE24772 OR RE55992)
12	R83561	HOUSING	1		
13	AR93518	SEAL	1	-131266	(SUB RE39134)
	RE39134	SEAL	1	131267-	
14	JD10363	BALL BEARING	1		(FRONT)
15	SHAFT	1		(SUB RG19279, APPL)
16	JD10362	BALL BEARING	1		(REAR)
17	R71228	RING	1		
18	R70964	WASHER	1		
19	R87634	GEAR	1		(A) (MARKED R87634) (WIDE GEAR TRAIN)
	R71037	GEAR	1		(B) (NARROW GEAR TRAIN)
20	RE28368	WATER PUMP	1	-131266	(A) (MARKED R83561) (SUB RE55986)
	RE55986	WATER PUMP	1	131267-	(A) (MARKED R83561) (SUB FOR RE28368 OR RE43132)
	RE55986	WATER PUMP	1		(B) (MARKED R83561) (SUB FOR RE43131)
21	19H2996	CAP SCREW	1		5/16" X 5"
22	19H2023	CAP SCREW	1		3/8" X 3-1/4"
23	R98527	FILTER	1		(WEEP HOLE)

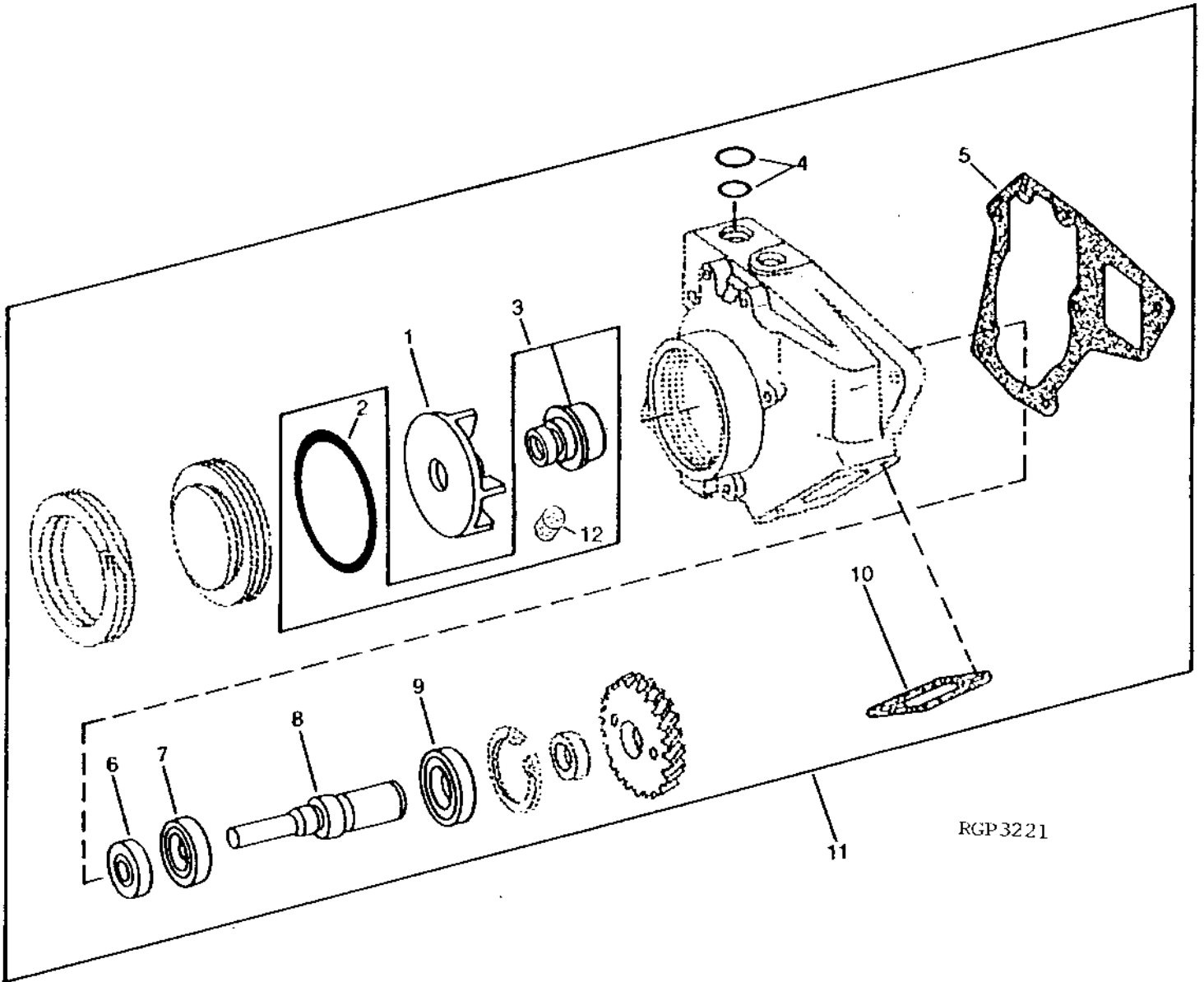
(A) - TH001, HH001 OR HH004

(B) - HH003

1F1

6076 ENGINE (ENGINE SERIAL NUMBER -499999)

WATER PUMP REPAIR KIT
(ENGINE SERIAL NO. -499999)
RGP3221 -UN-01JAN94



RGP 3221

1F2

6076 ENGINE (ENGINE SERIAL NUMBER -499999)

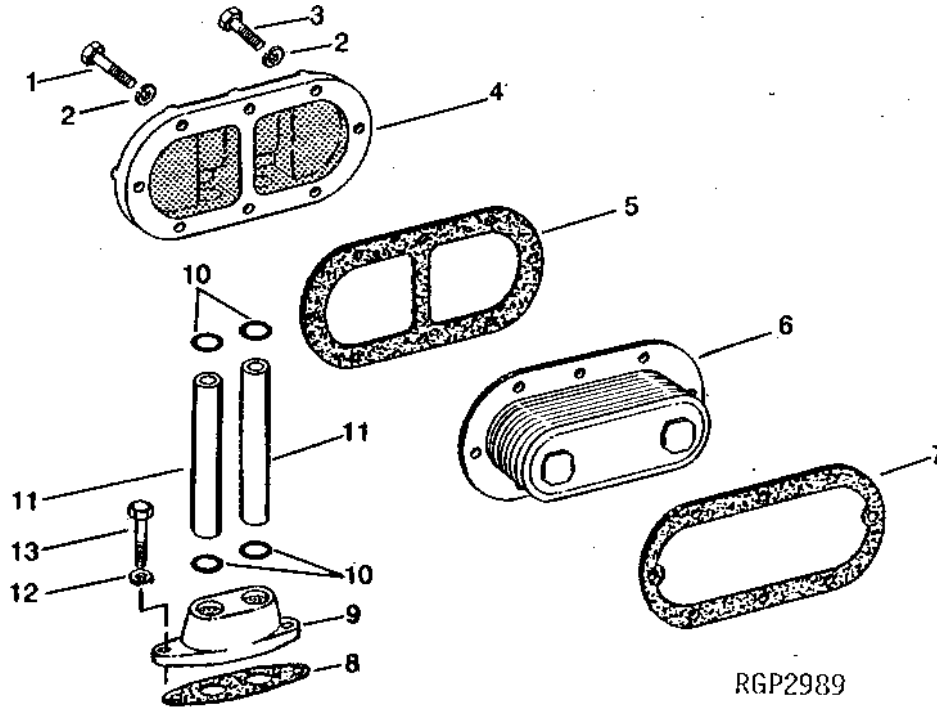
WATER PUMP REPAIR KIT - CONTINUED
(ENGINE SERIAL NO. -499999)

KEY	PART NO.	PART NAME	QTY	ENGINE SERIAL NO.	REMARKS
1	R71225	IMPELLER	1		
2	R71596	O-RING	1		
3	RE69844	KIT	1		(SUB FOR RE24772 OR RE55992)
4	R47153	O-RING	2		
5	R71315	GASKET	1		
6	AR93518	SEAL	1	-131266	(SUB RE39134)
	RE39134	SEAL	1	131267-	
7	JD10363	BALL BEARING	1		(FRONT)
8	SHAFT	1		(SUB RE69847, APPL)
9	JD10362	BALL BEARING	1		(REAR)
10	R71361	GASKET	1		
11	RE23295	KIT	1	-131266	(SUB RE69847)
	RG19279	KIT	1	131267-	(SUB RE69847)
	RE69847	KIT	1		(SUB FOR RE23295, RG19279 OR RE55994)
12	R98527	FILTER	1		(WEEP HOLE)

1F3

6076 ENGINE (ENGINE SERIAL NUMBER -499999)

ENGINE OIL COOLER
 (ENGINE SERIAL NO. -499999)
 RGP2989 -UN-01JAN94



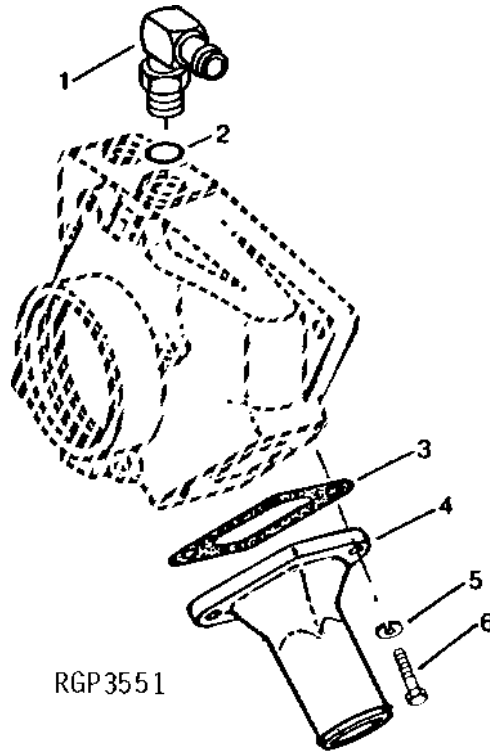
KEY	PART NO.	PART NAME	QTY	ENGINE SERIAL NO.	REMARKS
1	19H2703	CAP SCREW	1	5/16" X 2-1/8"	
2	12H303	LOCK WASHER	8	5/16", (NO LONGER REQUIRED WITH 19H2703 OR 19H2661)	
	24H1136	WASHER	1	(A) 11/32" X 11/16" X 0.065"	
3	19H2661	CAP SCREW	7	5/16" X 1-3/8"	
4	R51283	COVER	1		
5	R50419	GASKET	1		
6	AR55394	OIL COOLER	1		
7	AR58952	GASKET	1		
8	R50424	GASKET	1		
9	R50423	ADAPTER	1		
10	R47153	O-RING	4		
11	R51053	OIL TUBE	2		
12	12H304	LOCK WASHER	2	3/8"	
13	19H1732	CAP SCREW	2	3/8" X 1-1/4"	
..	T32231	CLAMP	1	(A)	

(A) USED WITH 19H2703

1F4

6076 ENGINE (ENGINE SERIAL NUMBER -499999)

WATER PUMP INLET HOUSING
(ENGINE SERIAL NO. -499999)
RGP3551 -UN-01JAN94



RGP3551

KEY	PART NO.	PART NAME	QTY	ENGINE SERIAL NO.	REMARKS
1	AR52206	ELBOW FITTING	1		
2	R26906	O-RING	1		
3	R71361	GASKET	1		
4	R93953	FILLER NECK	1		
5	12M7065	LOCK WASHER	2	8.100 MM	
6	19M7513	CAP SCREW	2	M8 X 30	

1F5

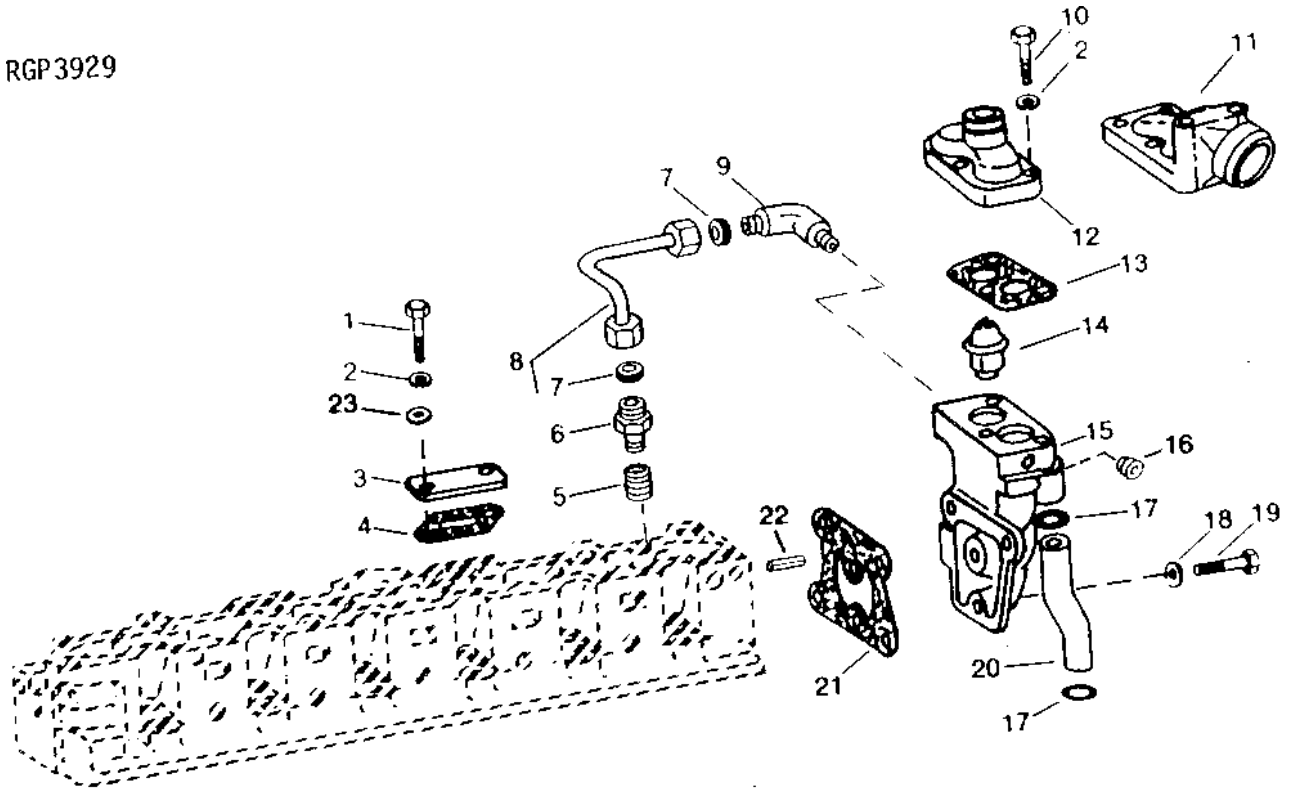
6076 ENGINE (ENGINE SERIAL NUMBER -499999)

WATER MANIFOLD AND THERMOSTAT (190HP 6076TH001) OR (235HP/HH004, 253HP/HH001)

(ENGINE SERIAL NO. -499999)

RGP3929 -UN-01JAN94

RGP3929



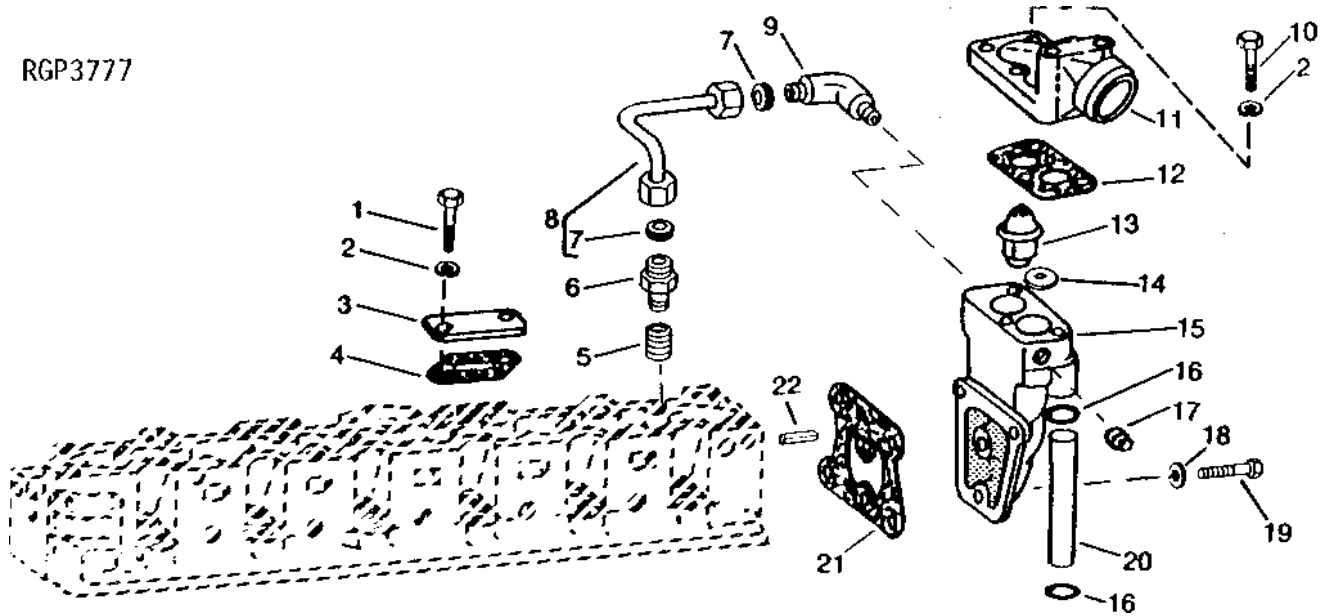
KEY	PART NO.	PART NAME	QTY	ENGINE SERIAL NO.	REMARKS
1	19H2284	CAP SCREW	4		3/8" X 7/8"
2	12H304	LOCK WASHER	3		3/8", (USE WITH 19H3219)
3	R86061	STRAP	2		
4	R88397	GASKET	2		
5	15H691	PIPE BUSHING	1	101212-	
6	R63604	FITTING	1	101212-	
7	R51936	PACKING	2	101212-	
8	RE38682	LINE	1	101212-	
9	R67364	ELBOW FITTING	1		
10	19H3219	CAP SCREW	3		3/8" X 1-3/8"
11	R89439	COVER	1		(HH001, TH001, HH004)
12	R86007	COVER	NA		
13	R46479	GASKET	1		
14	AR48675	THERMOSTAT	2		82°C (180°F)
15	R91604	MANIFOLD	1	-XXXXXX	(HH001, TH001)
	R99864	MANIFOLD	1	XXXXXX-	(HH001, TH001, HH004) (MARKED R99864 OR R105578)
16	15H665	PIPE PLUG	1		3/4", (USE WITH R91604)
	15H584	PIPE PLUG	2	101212-	1/2" NPT, (USE WITH R99864)
	15H690	PIPE PLUG	1	101212-	3/4", (USE WITH R99864)
17	R47153	O-RING	2		
18	R57696	WASHER	3		9.931 X 23.114 X 3.048 MM (25/64" X 0.910" X 0.120")
19	19H3217	CAP SCREW	3		3/8" X 1-3/4"
20	R89056	TUBE	1		
21	R86062	GASKET	1		
22	34H329	SPRING PIN	1		5/16" X 1-1/4"
23	24H1305	WASHER	4		13/32" X 13/16" X 0.065"

1F6

6076 ENGINE (ENGINE SERIAL NUMBER -499999)

WATER MANIFOLD AND THERMOSTAT
(6076HH003) (215HP)
(ENGINE SERIAL NO. -499999)
 RGP3777 -UN-01JAN94

RGP3777

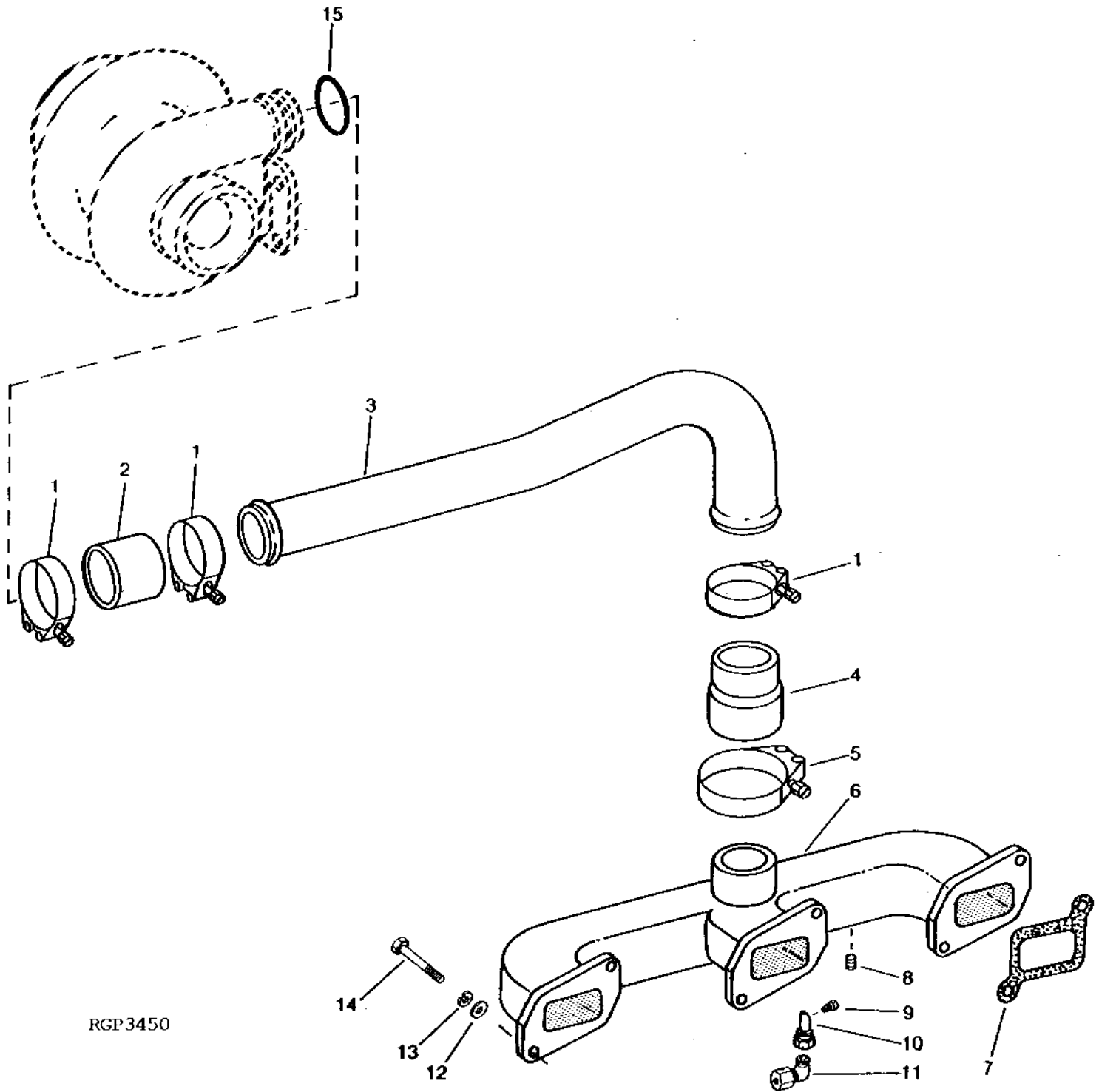


KEY	PART NO.	PART NAME	QTY	ENGINE SERIAL NO.	REMARKS
1	19H2284	CAP SCREW	2		3/8" X 7/8" (FRONT)
	19H1732	CAP SCREW	2		3/8" X 1-1/4" (REAR)
2	12H304	LOCK WASHER	3		3/8", (USE WITH 19H3219)
	24H1305	WASHER	4		13/32" X 13/16" X 0.065", (USE WITH 19H2284 AND 19H1732)
3	R86061	STRAP	2		
4	R88397	GASKET	2		
5	15H691	PIPE BUSHING	1		
6	R63604	FITTING	1		
7	R51936	PACKING	2		
8	RE38682	LINE	1		
9	R67364	ELBOW FITTING	1		
10	19H3219	CAP SCREW	2		3/8" X 1-3/8"
	19H1912	CAP SCREW	1		3/8" X 3-1/2"
11	R89439	COVER	1		
12	R46479	GASKET	1		
13	AR48675	THERMOSTAT	2		82°C (180°F)
14	R77673	O-RING	1		
15	R99622	MANIFOLD	1		
16	R47153	O-RING	2		
17	15H690	PIPE PLUG	1		3/4"
18	R57696	WASHER	3		9.931 X 23.114 X 3.048 MM (25/64" X 0.910" X 0.120")
					3/8" X 1-3/4"
19	19H3217	CAP SCREW	3		
20	R86063	TUBE	1		
21	R86062	GASKET	1		
22	34H329	SPRING PIN	1		5/16" X 1-1/4"

1F7

6076 ENGINE (ENGINE SERIAL NUMBER -499999)

INTAKE MANIFOLD
(ENGINE SERIAL NO. -499999)
RGP3450 -UN-01JAN94



RGP3450

1F8

6076 ENGINE (ENGINE SERIAL NUMBER -499999)

INTAKE MANIFOLD - CONTINUED
(ENGINE SERIAL NO. -499999)

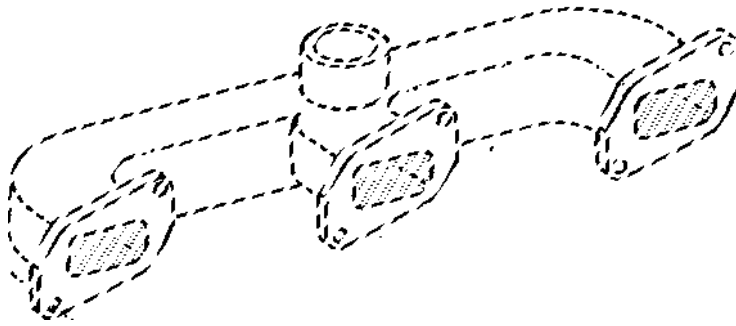
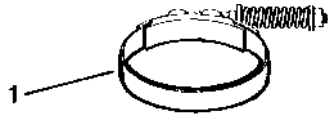
KEY	PART NO.	PART NAME	QTY	ENGINE SERIAL NO.	REMARKS
1	AT37693	HOSE CLAMP	3	(A)	
2	R90979	HOSE	1	(A)	76 MM X 51 MM (3" X 2")
3	R86156	TUBE	1	(A)	
4	R90980	HOSE	1	(A)	
5	AT37478	HOSE CLAMP	1	(A)	
6	R89790	INTAKE MANIFOLD	1		(MARKED R89790 OR R104706) (SUB R104592, R134429 AND 15H690)
	R104592	PIPE PLUG	1		
	R134429	INTAKE MANIFOLD	1		
	15H690	PIPE PLUG	1		3/4"
7	R120646	GASKET	3		(SUB FOR R87316 OR R102838, APPL)
8	15H666	PIPE PLUG	1		3/8"
9	R28583	NOZZLE	1		
10	R47160	NOZZLE HOLDER	1		
11	RE21790	ELBOW FITTING	1		(SUB FOR AT25266)
12	24H1682	WASHER	6		13/32" X 7/8" X 0.120"
13	12H304	LOCK WASHER	6		3/8", (NO LONGER REQUIRED)
14	19H1800	CAP SCREW	6		3/8" X 1-1/2"
15	R86743	O-RING	1		
..	T32231	CLAMP	1		(LOWER REAR)

(A) USED ON 6076TH001

1F9

6076 ENGINE (ENGINE SERIAL NUMBER -499999)

INTAKE MANIFOLD ADAPTER
(ENGINE SERIAL NO. 147639-165935)
RGP3768 -UN-01JAN94



RGP3768

KEY	PART NO.	PART NAME	QTY	ENGINE SERIAL NO.	REMARKS
1	RE37229	CLAMP	1		
2	R114085	ADAPTER	1		

MEMORANDA

1F11

6076 ENGINE (ENGINE SERIAL NUMBER -499999)

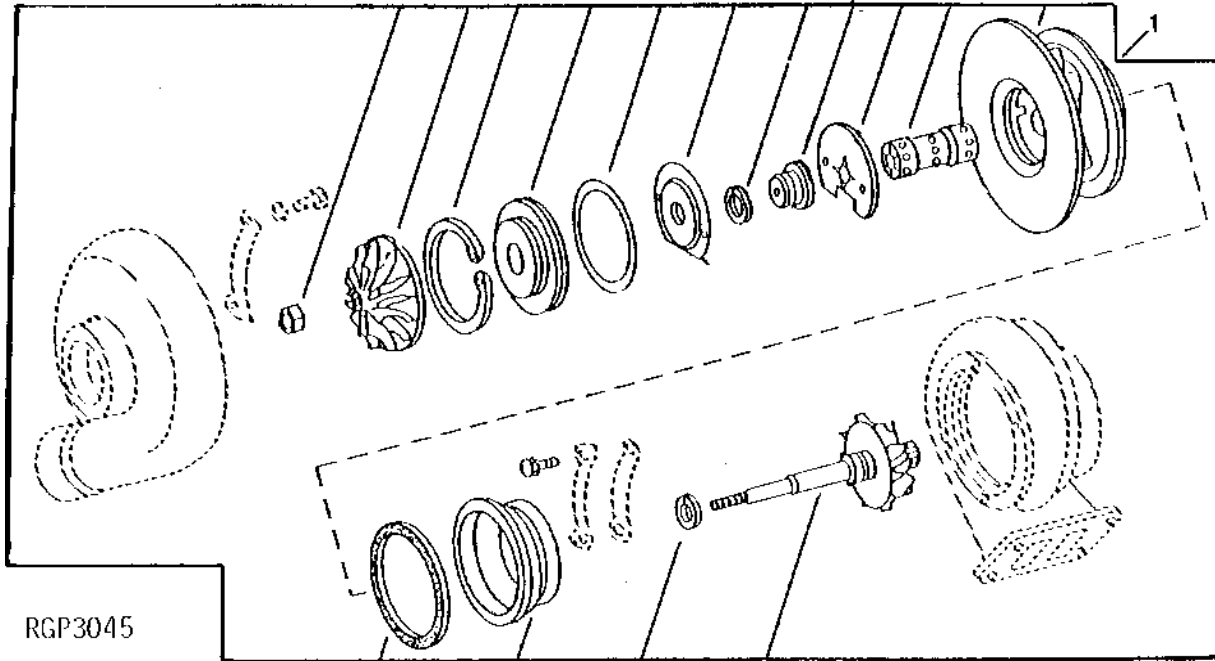
TURBOCHARGER AND OIL LINES - CONTINUED
(ENGINE SERIAL NO. -499999)

KEY	PART NO.	PART NAME	QTY	ENGINE SERIAL NO.	REMARKS
1	RE55511	OIL LINE	1	143836-	(INLET) (SUB FOR RE43978)
2	R92097	GASKET	1		
3	E55662	FLANGE NUT	4		
4	RE30635	OIL LINE	1	-143835	(INLET) (SUB RE55511, RE45557, R108691 AND R26448)
5	R62239	FITTING	1	-143835	(USE WITH RE30635)
6	RE45557	ELBOW FITTING	1	143836-	
7	R26448	O-RING	1	143836-	
8	R108691	ADAPTER	1	143836-	
9	R39503	FITTING	1		
10	TY22467	CLAMP	2		(SUB FOR AR21839)
11	R87682	HOSE	1		
12	RE68396	OIL LINE	1		(RETURN)
13	R122618	SCREW	2		
14	12H304	LOCK WASHER	2		3/8", (NO LONGER REQUIRED)
15	R105346	GASKET	1		(SUB FOR R43416 OR R97349)
16	24H1305	WASHER	4		13/32" X 13/16" X 0.065"
17	R100747	SELF-LOCKING SCREW	4		(SUB FOR R54500, APPL.)
18	T11180	ELBOW FITTING	1		
19	RE36285	TURBOCHARGER	1		REMANUFACTURED (GARRETT/AIRESEARCH) (MARKED RE25998)
	RE38345	TURBOCHARGER	1		REMANUFACTURED (SCHWITZER) (MARKED RE30562) (SUB RE36285)
20	RE25665	OIL LINE	1		(RETURN) (SUB RE68396)

1F12

6076 ENGINE (ENGINE SERIAL NUMBER -499999)

TURBOCHARGER CENTER HOUSING WITH ROTATING PARTS
(SCHWITZER) (TH001, HH001, HH003, HH004)
 RGP3045 -UN-01JAN94

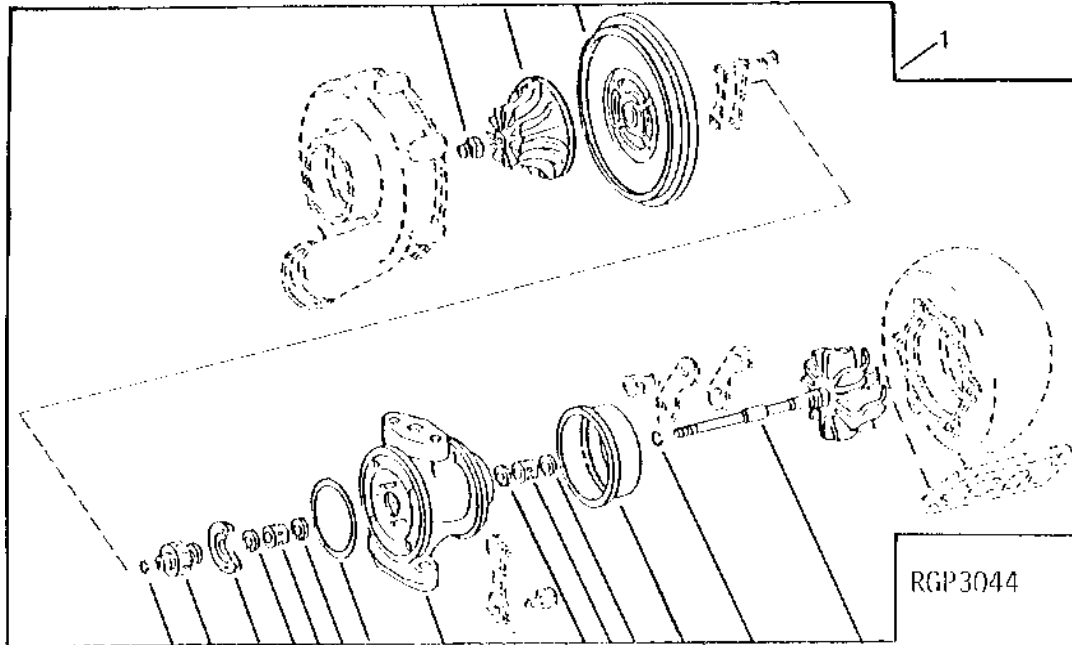


KEY	PART NO.	PART NAME	QTY	ENGINE SERIAL NO.	REMARKS
1	RE38331	HOUSING	1	(SUB RE36285)	
..	RE38288	KIT	1	(NLA)	

1F13

6076 ENGINE (ENGINE SERIAL NUMBER -499999)

**TURBOCHARGER CENTER HOUSING WITH ROTATING PARTS
(AIRESEARCH) (TH001, HH001, HH003, HH004)**
RGP3044 -UN-01JAN94

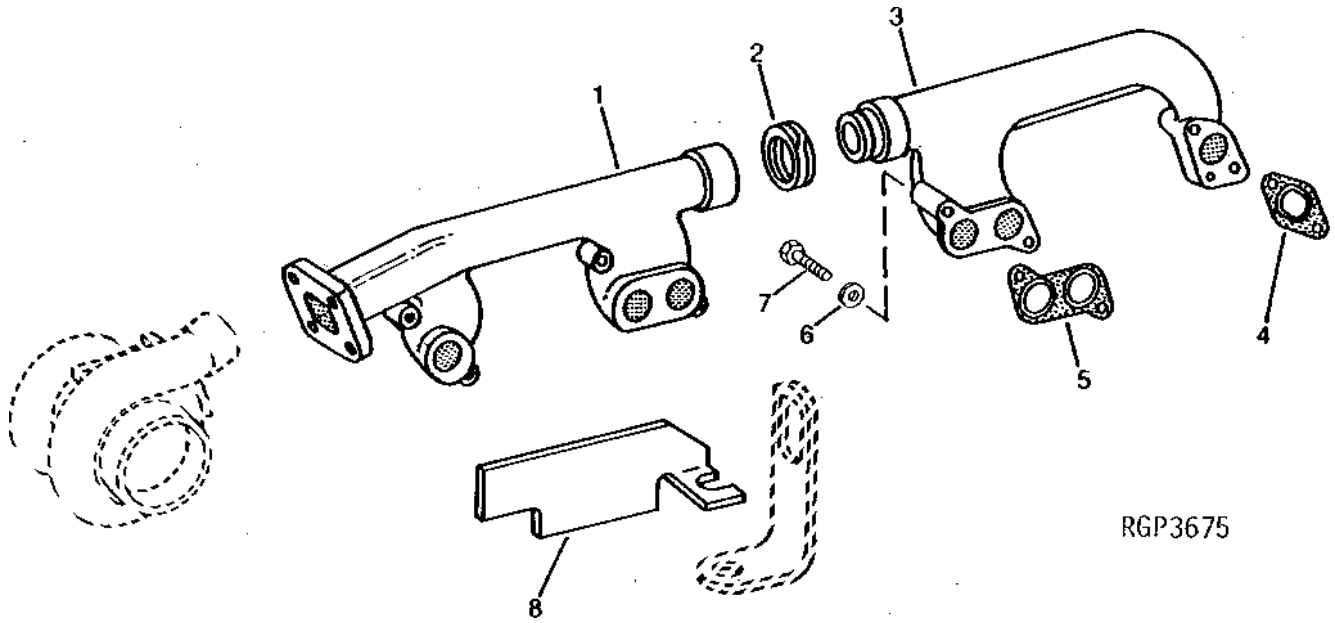


KEY	PART NO.	PART NAME	QTY	ENGINE SERIAL NO.	REMARKS
1	RE36038	HOUSING	1		
..	RE38346	KIT	1	(NO LONGER AVAILABLE)	

1F14

6076 ENGINE (ENGINE SERIAL NUMBER -499999)

EXHAUST MANIFOLDS AND HEAT SHIELD
RGP3675 -UN-01JAN94

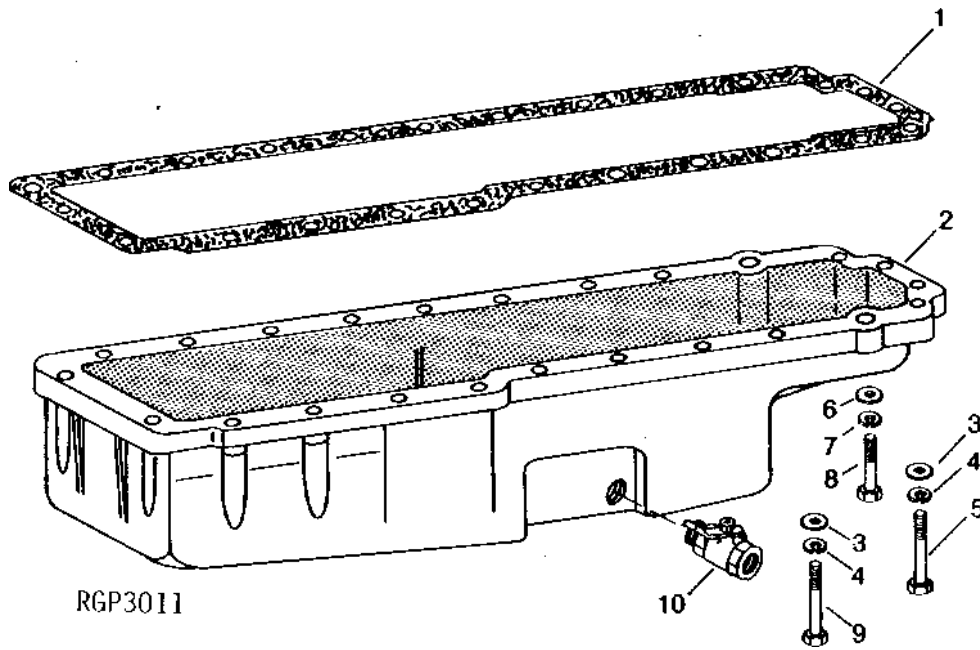


KEY	PART NO.	PART NAME	QTY	ENGINE SERIAL NO.	REMARKS
1	R91519	MANIFOLD	1		
2	R122595	RING	1		(SUB FOR R58109)
3	R69936	EXHAUST MANIFOLD	1		
4	R83021	GASKET	2		
5	R83020	GASKET	2		
6	R63845	WASHER	8		
7	19H2128	CAP SCREW	8	3/8" X 3"	
8	H144260	SHIELD	1		

1F15

6076 ENGINE (ENGINE SERIAL NUMBER -499999)

OIL PAN
RGP3011 -UN-01JAN94



KEY	PART NO.	PART NAME	QTY	ENGINE SERIAL NO.	REMARKS
1	R49377	GASKET	1		
2	R94338	OIL PAN	1		
3	24H1305	WASHER	22	13/32" X 13/16" X 0.065"	
4	12H304	LOCK WASHER	22	3/8"	
5	19H3485	CAP SCREW	4	3/8" X 2"	
6	24H1756	WASHER	2	1/2" X 1" X 0.060"	
7	12H301	LOCK WASHER	2	1/2"	
8	19H2473	CAP SCREW	2	1/2" X 1-3/4"	
9	19H3267	CAP SCREW	18	3/8" X 1-5/8"	
10	RE32856	VALVE	1		

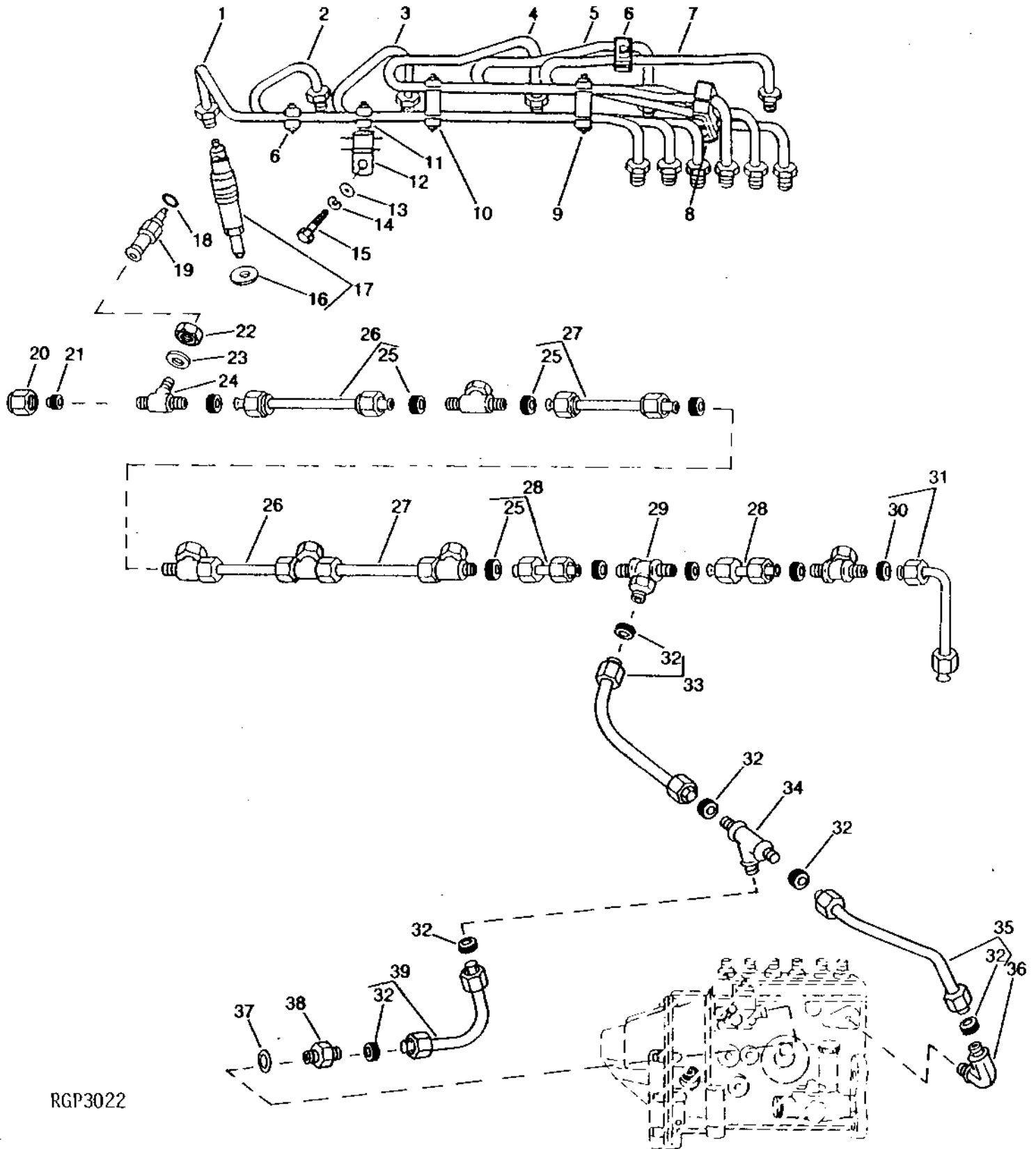
1F16

6076 ENGINE (ENGINE SERIAL NUMBER -499999)

FUEL INJECTION NOZZLES AND LINES (6076HH001, HH004)

(ENGINE SERIAL NO. -165438)

RGP3022 -UN-01JAN94



RGP3022

FUEL INJECTION NOZZLES AND LINES (6076HH001, HH004) - CONTINUED
(ENGINE SERIAL NO. -165438)

KEY	PART NO.	PART NAME	QTY	ENGINE SERIAL NO.	REMARKS
1	RE47728	FUEL LINE	1	-165438	NO. 6, (SUB FOR RE29512)
2	RE47727	FUEL LINE	1	-165438	NO. 5, (SUB FOR RE29511)
3	RE47726	FUEL LINE	1	-165438	NO. 4, (SUB FOR RE29510)
4	RE47725	FUEL LINE	1	-165438	NO. 3, (SUB FOR RE29509)
5	R59305	STRAP	2		
	R58186	CLAMP	4		
	R61144	STRAP	2		
	21H1463	CAP SCREW	2		0.190" X 7/8"
6	RE47724	FUEL LINE	1	-165438	NO. 2, (SUB FOR RE29508)
7	RE47723	FUEL LINE	1	-165438	NO. 1, (SUB FOR RE29507)
8	R59298	STRAP	1		
	R59297	HALF CLAMP	2		
	R61145	STRAP	1		
	21H1463	CAP SCREW	2		0.190" X 7/8"
9	R59298	STRAP	1		
	R71212	CLAMP	1		
	R59297	HALF CLAMP	2		
	R61145	STRAP	1		
10	R71398	SCREW	2		0.190" X 1-1/2"
	R59305	STRAP	1		
	R58186	CLAMP	1		
	R74030	CLAMP	1		
	R74804	CLAMP	1		
	R61144	STRAP	1		
	R71398	SCREW	1		0.190" X 1-1/2"
11	R59298	STRAP	1		
	R59297	HALF CLAMP	2		
	21H1463	CAP SCREW	2		0.190" X 7/8"
12	RE47120	ABSORBER	1		(SUB FOR RE12766)
13	24H1305	WASHER	1		13/32" X 13/16" X 0.065"
14	12M7066	LOCK WASHER	1		10.200 MM
15	19M7166	CAP SCREW	1		M10 X 20
16	R84472	WASHER	6		7.360 X 18.160 X 2 MM (0.290" X 0.715" X 0.079")
17	RE25253	INJECTION NOZZLE	6		(DENSO) (SUB RE52113 AND R84472)
	RE52113	INJECTION NOZZLE	1		
	R84472	WASHER	1		
18	R77551	O-RING	6		
19	R87082	FITTING	6		(ALSO ORDER R77551)
20	R51937	TUBE NUT	1		
21	AR85519	PLUG	1		
22	R79604	TUBE NUT	6		
23	R79605	WASHER	6		
24	R79606	TEE FITTING	6		
25	R51936	PACKING	12		
26	RE15807	FUEL LINE	2		
27	RE15808	FUEL LINE	2		
28	RE36421	FUEL LINE	2		
29	R97061	TEE FITTING	1		
30	R51936	PACKING	5		
31	AR104650	FUEL LINE	1		
32	R51936	PACKING	1		
33	RE30920	FUEL LINE	1		
34	R97061	TEE FITTING	1		
35	RE35684	FUEL LINE	1		
36	R67364	ELBOW FITTING	1		
37	R48693	WASHER	1		
38	R91824	FITTING	1		
39	RE30833	FUEL LINE	1		

1F18

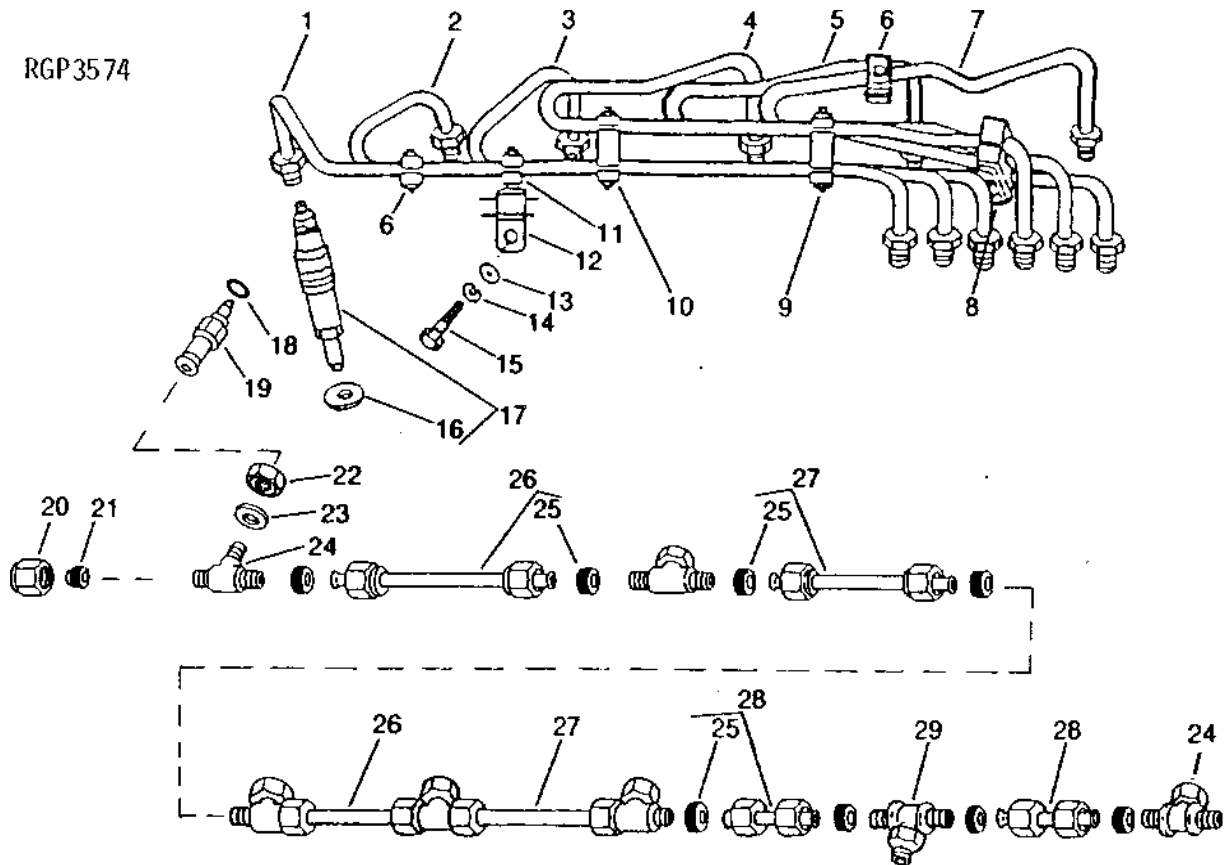
6076 ENGINE (ENGINE SERIAL NUMBER -499999)

FUEL INJECTION NOZZLES AND LINES (HH001 OR HH004)

(ENGINE SERIAL NO. 165439-499999)

RGP3574 -UN-01JAN94

RGP3574



1F19

6076 ENGINE (ENGINE SERIAL NUMBER -499999)

**FUEL INJECTION NOZZLES AND LINES (HH001 OR HH004) - CONTINUED
(ENGINE SERIAL NO. 165439-499999)**

KEY	PART NO.	PART NAME	QTY	ENGINE SERIAL NO.	REMARKS
1	RE47431	FUEL LINE	1	NO. 6	
2	RE47430	FUEL LINE	1	NO. 5	
3	RE47429	FUEL LINE	1	NO. 4	
4	RE47428	FUEL LINE	1	NO. 3	
5	RE47427	FUEL LINE	1	NO. 2	
6	R59305	STRAP	2		
	R58186	CLAMP	8		
	R61144	STRAP	2		
	21H1463	CAP SCREW	2	0.190" X 7/8"	
7	RE47426	FUEL LINE	1	NO. 1	
8	R59298	STRAP	1		
	R59297	HALF CLAMP	2		
	21H1463	CAP SCREW	2	0.190" X 7/8"	
9	R59298	STRAP	1		
	R71212	CLAMP	1		
	R61145	STRAP	1		
	R71398	SCREW	2	0.190" X 1-1/2"	
10	R59305	STRAP	2		
	R58186	CLAMP	1		
	R74030	CLAMP	1		
	R74804	CLAMP	1		
	R61144	STRAP	3		
	R71398	SCREW	1	0.190" X 1-1/2"	
11	R59297	HALF CLAMP	2		
	21H1463	CAP SCREW	1	0.190" X 7/8"	
12	RE47120	ABSORBER	1		
13	24H1305	WASHER	1	13/32" X 13/16" X 0.065"	
14	12M7066	LOCK WASHER	1	10.200 MM	
15	19M7166	CAP SCREW	1	M10 X 20	
16	R84472	WASHER	6	7.360 X 18.160 X 2 MM (0.290" X 0.715" X 0.079")	
17	RE25253	INJECTION NOZZLE	6	(NIPPONDENSO) (SUB RE52113 AND R84472)	
	RE52113	INJECTION NOZZLE	1		
	R84472	WASHER	1		
18	R77551	O-RING	6		
19	R87082	FITTING	6	(ALSO ORDER R77551)	
20	R51937	TUBE NUT	1		
21	AR85519	PLUG	1		
22	R79604	TUBE NUT	6		
23	R79605	WASHER	6		
24	R79606	TEE FITTING	6		
25	R51936	PACKING	11		
26	RE15807	FUEL LINE	2		
27	RE15808	FUEL LINE	2		
28	RE36421	FUEL LINE	2		
29	R97061	TEE FITTING	2		

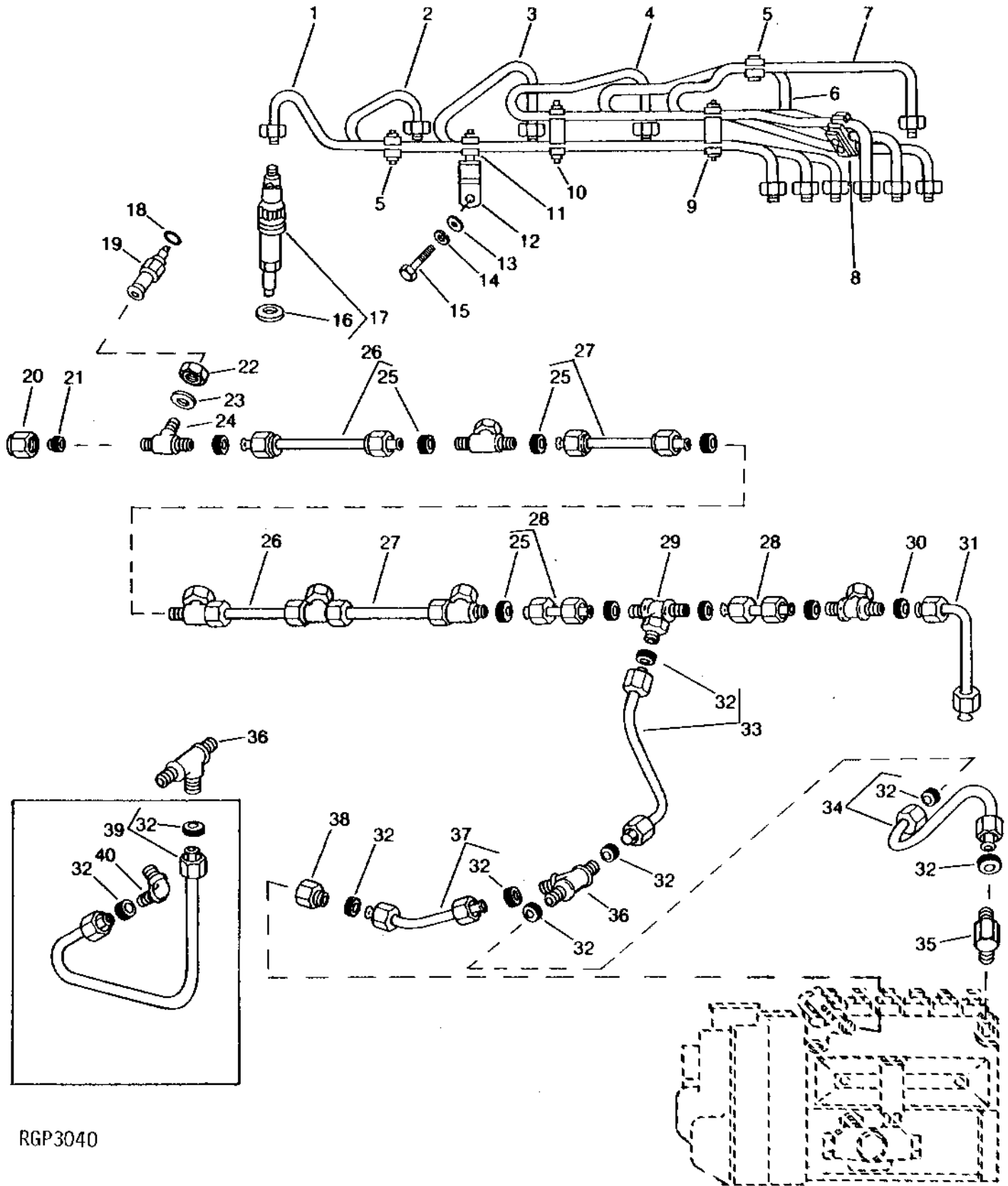
1F20

6076 ENGINE (ENGINE SERIAL NUMBER -499999)

FUEL INJECTION NOZZLES AND LINES (6076TH001 OR HH003)

(ENGINE SERIAL NO. -165438)

RGP3040 -UN-01JAN94



RGP3040

1F21

6076 ENGINE (ENGINE SERIAL NUMBER -499999)

FUEL INJECTION NOZZLES AND LINES (6076TH001 OR HH003) - CONTINUED
(ENGINE SERIAL NO. -165438)

KEY	PART NO.	PART NAME	QTY	ENGINE SERIAL NO.	REMARKS
1	RE29726	FUEL LINE	1	-165438	NO. 6
2	RE29725	FUEL LINE	1	-165438	NO. 5
3	RE29724	FUEL LINE	1	-165438	NO. 4
4	RE29723	FUEL LINE	1	-165438	NO. 3
5	R59305	STRAP	2		
	R58186	CLAMP	4		
	R61144	STRAP	2		
	21H1463	CAP SCREW	2		0.190" X 7/8"
6	RE29722	FUEL LINE	1	-165438	NO. 2
7	RE29721	FUEL LINE	1	-165438	NO. 1
8	R59298	STRAP	1		
	R59297	HALF CLAMP	2		
	R61145	STRAP	1		
	21H1463	CAP SCREW	2		0.190" X 7/8"
9	R59298	STRAP	1		
	R71212	CLAMP	1		
	R59297	HALF CLAMP	2		
	R61145	STRAP	1		
10	R71398	SCREW	2		0.190" X 1-1/2"
	R59305	STRAP	1		
	R58186	CLAMP	1		
	R74030	CLAMP	1		
	R74804	CLAMP	1		
	R61144	STRAP	1		
	R71398	SCREW	1		0.190" X 1-1/2"
11	R59298	STRAP	1		
	R59297	HALF CLAMP	2		
	21H1463	CAP SCREW	2		0.190" X 7/8"
12	RE47120	ABSORBER	1		(SUB FOR RE12766)
13	24H1305	WASHER	1		13/32" X 13/16" X 0.065"
14	12M7066	LOCK WASHER	1		10.200 MM
15	19M7166	CAP SCREW	1		M10 X 20
16	R84472	WASHER	6		7.360 X 18.160 X 2 MM (0.290" X 0.715" X 0.079")
17	RE30159	INJECTION NOZZLE	6	-142238	(DENSO) (SUB RE46364, THIS APPLICATION)
	RE46364	INJECTION NOZZLE	1	142239-	(ROBERT BOSCH)
18	R77551	O-RING	6		
19	R87082	FITTING	6		(ALSO ORDER R77551)
20	R51937	TUBE NUT	1		
21	AR85519	PLUG	1		
22	R79604	TUBE NUT	6		
23	R79605	WASHER	6		
24	R79606	TEE FITTING	6		
25	R51936	PACKING	11		
26	RE15807	FUEL LINE	2		
27	RE15808	FUEL LINE	2		
28	RE36421	FUEL LINE	2		
29	R97061	TEE FITTING	2		
30	R51936	PACKING	1		
31	AR104650	FUEL LINE	1		
32	R51936	PACKING	7		
33	RE35800	FUEL LINE	1		
34	RE35799	FUEL LINE	1		
35	R67364	ELBOW FITTING	1		
36	R97061	TEE FITTING	1		
37	RE38870	FUEL LINE	1	101099-106065	
	RE38871	FUEL LINE	1	106066-	
38	R63604	FITTING	1	101099-106065	
39	RE33482	FUEL LINE	1	-101098	
40	R67364	ELBOW FITTING	1	-101098	

1F22

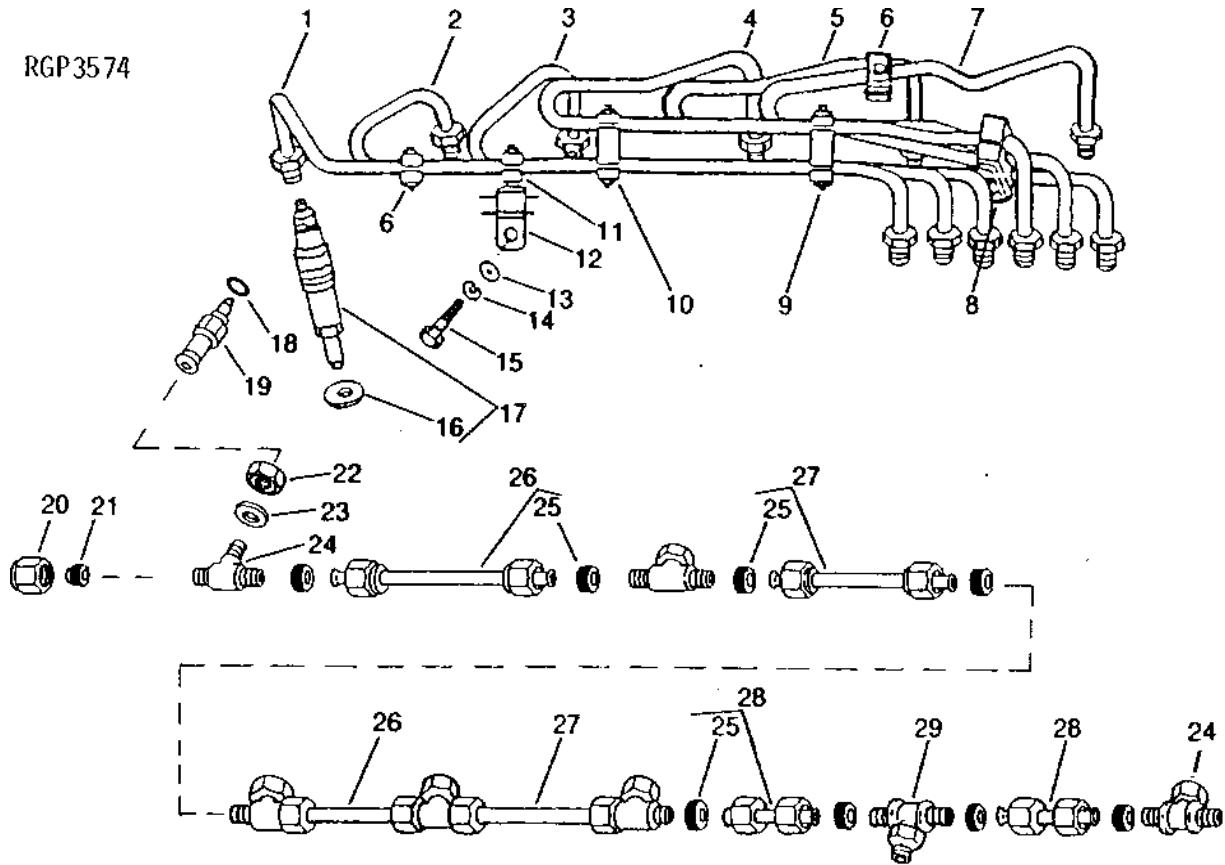
6076 ENGINE (ENGINE SERIAL NUMBER -499999)

FUEL INJECTION NOZZLES AND LINES (HH003)

(ENGINE SERIAL NO. 165439-499999)

RGP3574 -UN-01JAN94

RGP3574



1F23

6076 ENGINE (ENGINE SERIAL NUMBER -499999)

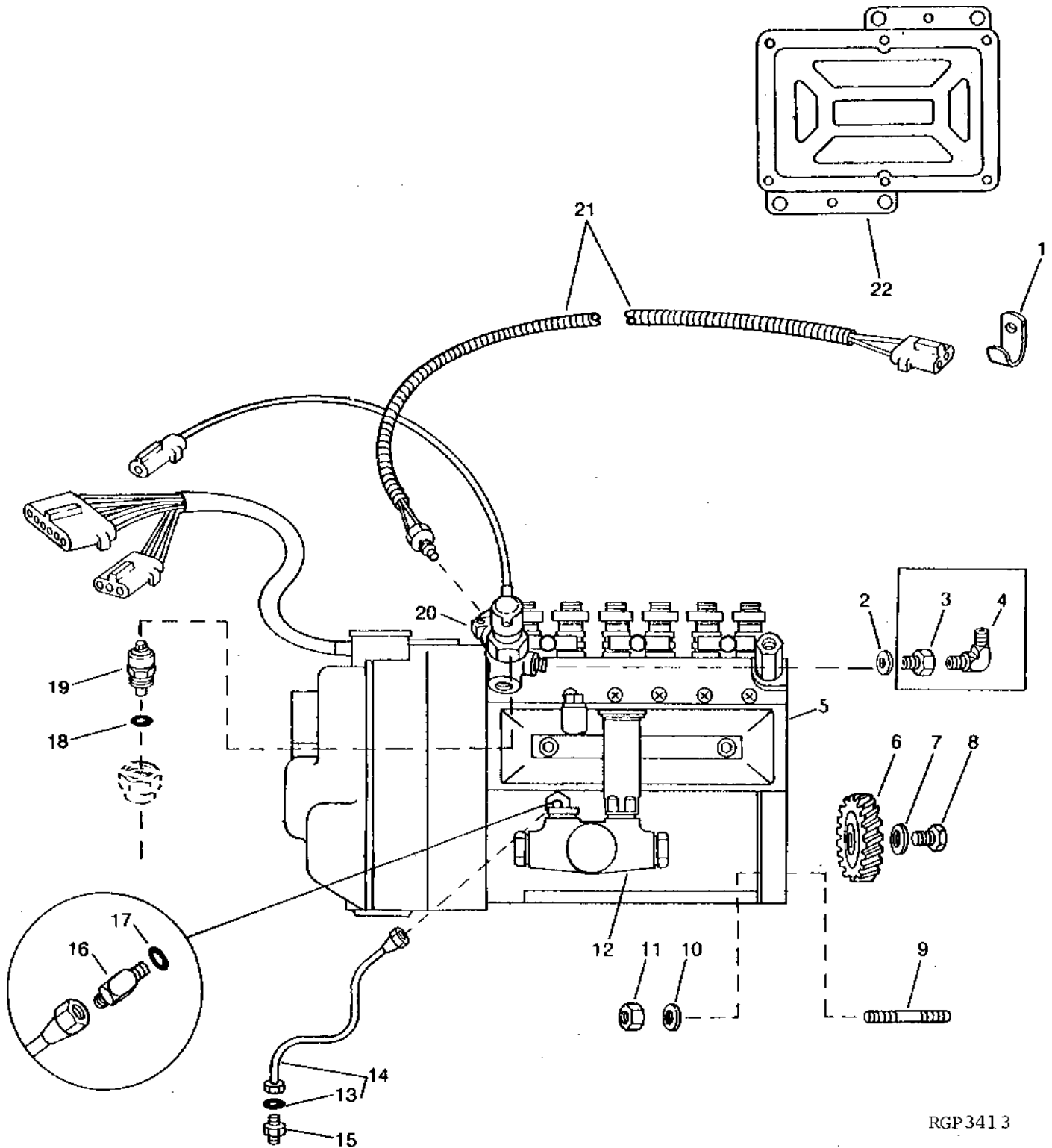
**FUEL INJECTION NOZZLES AND LINES (6076HH003) - CONTINUED
(ENGINE SERIAL NO. 165439-499999)**

KEY	PART NO.	PART NAME	QTY	ENGINE SERIAL NO.	REMARKS
1	RE47419	FUEL LINE	1	NO. 6	
2	RE47418	FUEL LINE	1	NO. 5	
3	RE47417	FUEL LINE	1	NO. 4	
4	RE47416	FUEL LINE	1	NO. 3	
5	RE47415	FUEL LINE	1	NO. 2	
6	R59305	STRAP	2		
	R58186	CLAMP	8		
	R61144	STRAP	2		
	21H1463	CAP SCREW	2	0.190" X 7/8"	
7	RE47414	FUEL LINE	1	NO. 1	
8	R59298	STRAP	1		
	R59297	HALF CLAMP	2		
	21H1463	CAP SCREW	2	0.190" X 7/8"	
9	R59298	STRAP	1		
	R71212	CLAMP	1		
	R61145	STRAP	1		
	R71398	SCREW	2	0.190" X 1-1/2"	
10	R59305	STRAP	2		
	R58186	CLAMP	1		
	R74030	CLAMP	1		
	R74804	CLAMP	1		
	R61144	STRAP	3		
	R71398	SCREW	1	0.190" X 1-1/2"	
11	R59297	HALF CLAMP	2		
	21H1463	CAP SCREW	1	0.190" X 7/8"	
12	RE47120	ABSORBER	1		
13	24H1305	WASHER	1	13/32" X 13/16" X 0.065"	
14	12M7066	LOCK WASHER	1	10.200 MM	
15	19M7166	CAP SCREW	1	M10 X 20	
16	R84472	WASHER	6	7.360 X 18.160 X 2 MM (0.290" X 0.715" X 0.079")	
17	RE46364	INJECTION NOZZLE	6	(ROBERT BOSCH)	
	RE30159	INJECTION NOZZLE	6	(DENSO)	
	SE500178	INJECTION NOZZLE	6	142256-499999 (REMANUFACTURED) (9600,HH003)	
18	R77551	O-RING	6		
19	R87082	FITTING	6	(ALSO ORDER R77551)	
20	R51937	TUBE NUT	1		
21	AR85519	PLUG	1		
22	R79604	TUBE NUT	6		
23	R79605	WASHER	6		
24	R79606	TEE FITTING	6		
25	R51936	PACKING	11		
26	RE15807	FUEL LINE	2		
27	RE15808	FUEL LINE	2		
28	RE36421	FUEL LINE	2		
29	R97061	TEE FITTING	2		

1F24

6076 ENGINE (ENGINE SERIAL NUMBER -499999)

FUEL INJECTION PUMP AND OIL LUBE LINE (6076TH001) (190HP)
(85MM INJECTION PUMP BORE)
(ENGINE SERIAL NO. -149283)
RGP3413 -UN-01JAN94



RGP 341 3

1F25

6076 ENGINE (ENGINE SERIAL NUMBER -499999)

**FUEL INJECTION PUMP AND OIL LUBE LINE (6076TH001) (190HP) - CONTINUED
(85MM INJECTION PUMP BORE)
(ENGINE SERIAL NO. -149283)**

KEY	PART NO.	PART NAME	QTY	ENGINE SERIAL NO.	REMARKS
1	R72853	CLAMP	1		
2	R53901	WASHER	1		
3	R78379	ADAPTER	1	-101098	
4	M42830	ELBOW FITTING	1	-101098	
5	RE32064	FUEL INJECTION PUMP	1		(A) (DENSO) (191000-5870)
6	RE33390	GEAR	1		(MATCHED SET W/CAM DRIVE GEAR)
7	R63845	WASHER	4		
8	19H3336	CAP SCREW	4	3/8" X 7/8"	
9	R114130	STUD	4	(SUB FOR R55396)	
10	M72490	WASHER	4	(SUB FOR R42729)	
11	14H1090	NUT	4	(SUB FOR R32511 OR E55662, APPL.)	
12	RE35139	FUEL PUMP	1		
13	R67264	PACKING	1		
14	RE38732	OIL LINE	1	(SUB FOR RE33486)	
15	R76822	FITTING	1		
16	AT32335	ELBOW FITTING	1		
17	R73858	O-RING	1		
18	R98502	RING	1	(SHUT-OFF SOLENOID)	
19	RE34100	SOLENOID	1		
20	HOUSING	NA	(A) (SHUT-OFF)	
21	RE35284	SENDER	1	(FUEL TEMPERATURE)	
22	RE44131	ENGINE CONTROLLER	1	(MARKED RE34048 OR RE34049) (SUB FOR RE38240 OR RE43388)	

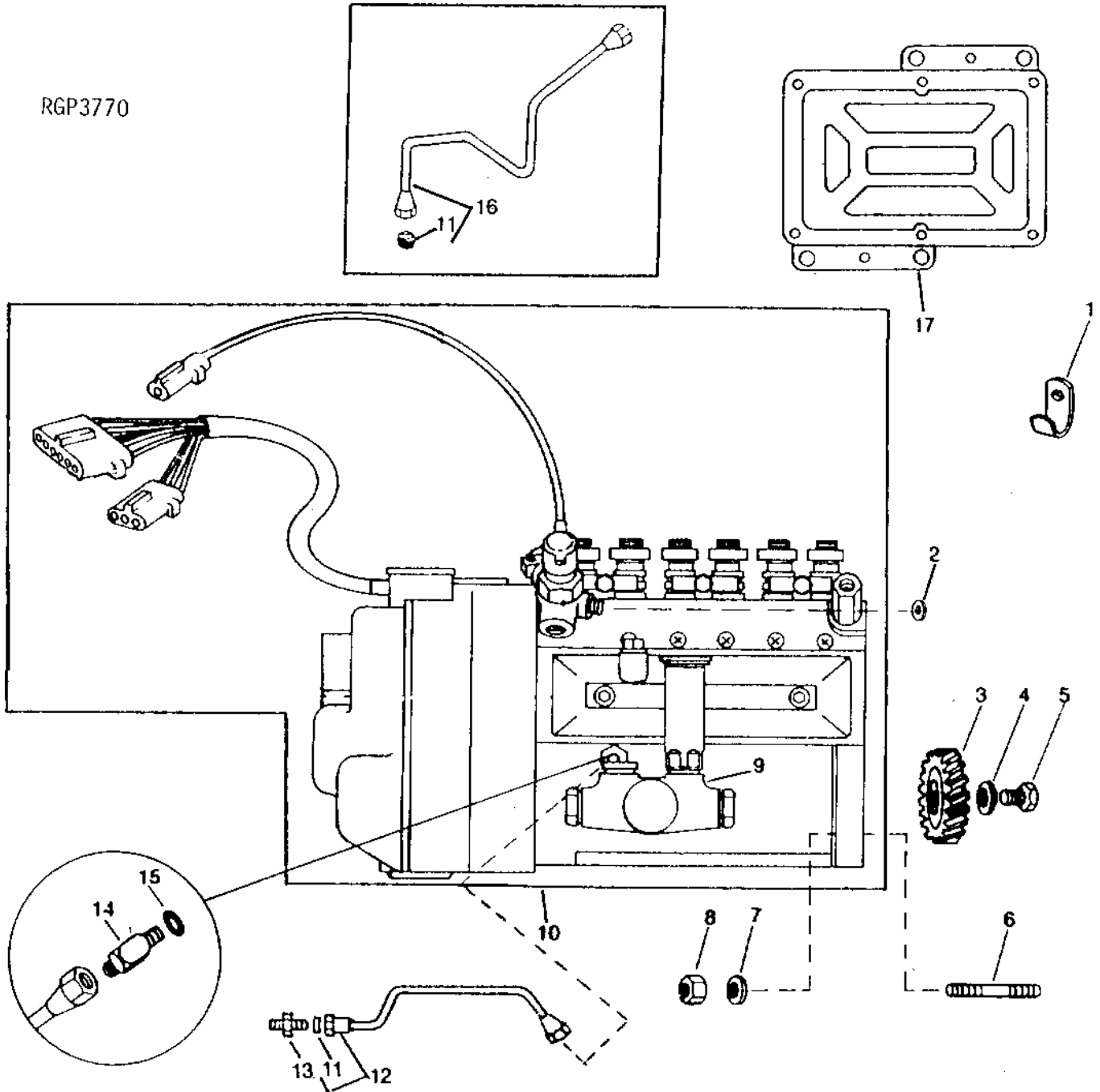
(A) "SEE YOUR AUTHORIZED PUMP REPAIR STATION FOR PARTS NOT LISTED."

1G1

6076 ENGINE (ENGINE SERIAL NUMBER -499999)

FUEL INJECTION PUMP AND OIL LUBE LINE (6076HH003) (215HP)
(85MM INJECTION PUMP BORE)
(ENGINE SERIAL NO. 149284-499999)
RGP3770 -UN-01JAN94

RGP3770



1G2

6076 ENGINE (ENGINE SERIAL NUMBER -499999)

**FUEL INJECTION PUMP AND OIL LUBE LINE (6076HH003) (215HP) - CONTINUED
(85MM INJECTION PUMP BORE)
(ENGINE SERIAL NO. 149284-499999)**

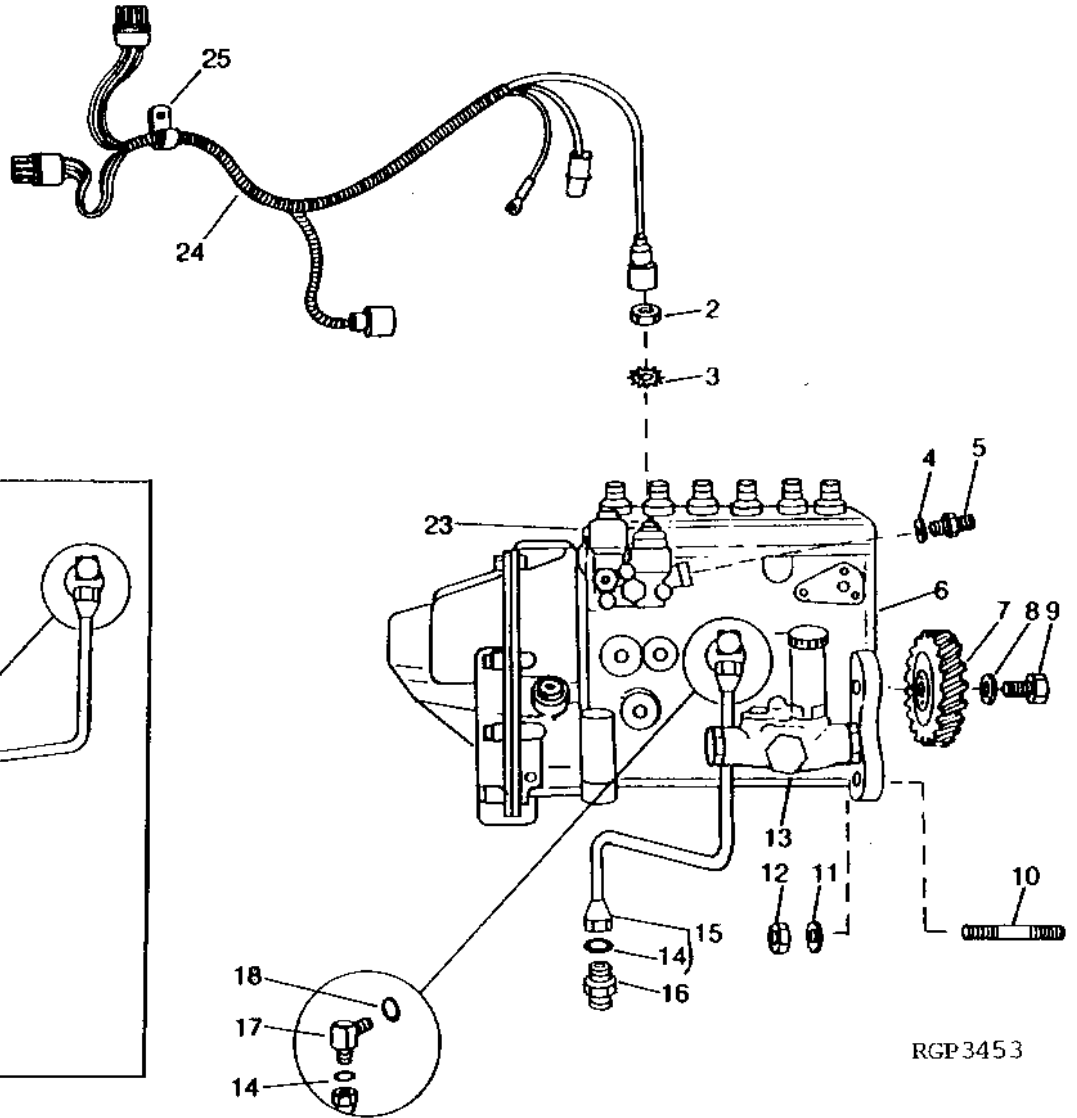
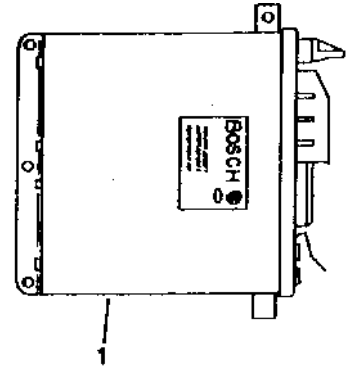
KEY	PART NO.	PART NAME	QTY	ENGINE SERIAL NO.	REMARKS
1	R72853	CLAMP	1		
2	R53901	WASHER	1		
3	R67380	GEAR	1		
4	R63845	WASHER	4		
5	19H3336	CAP SCREW	4		3/8" X 7/8"
6	R114130	STUD	4		(SUB FOR R55396)
7	M72490	WASHER	4		(SUB FOR R42729)
8	14H1090	NUT	4		(SUB FOR R32511 OR E55662, APPL.)
9	FUEL PUMP	1		
10	RE46264	FUEL INJECTION PUMP	1		(A) (DENSO) (191000-8590)
11	R67264	PACKING	1		
12	RE49899	OIL LINE	1	171868-	
13	R76822	FITTING	1		(USE WITH RE38732 OR RE49899)
14	AT32335	ELBOW FITTING	1		
15	R73858	O-RING	1		
16	RE38732	OIL LINE	1	-171867	
17	RE44705	ENGINE CONTROLLER	1		(MARKED RE34049)

(A) "SEE YOUR AUTHORIZED PUMP REPAIR STATION FOR PARTS NOT LISTED."

1G3

6076 ENGINE (ENGINE SERIAL NUMBER -499999)

FUEL INJECTION PUMP AND OIL LUBE LINES (6076HH004) (235HP)
(95MM INJECTION PUMP BORE)
(ENGINE SERIAL NO. -499999)
RGP3453 -UN-01JAN94



RGP3453

1G4

6076 ENGINE (ENGINE SERIAL NUMBER -499999)

FUEL INJECTION PUMP AND OIL LUBE LINES (6076HH004) (235HP) - CONTINUED
(95MM INJECTION PUMP BORE)
(ENGINE SERIAL NO. -499999)

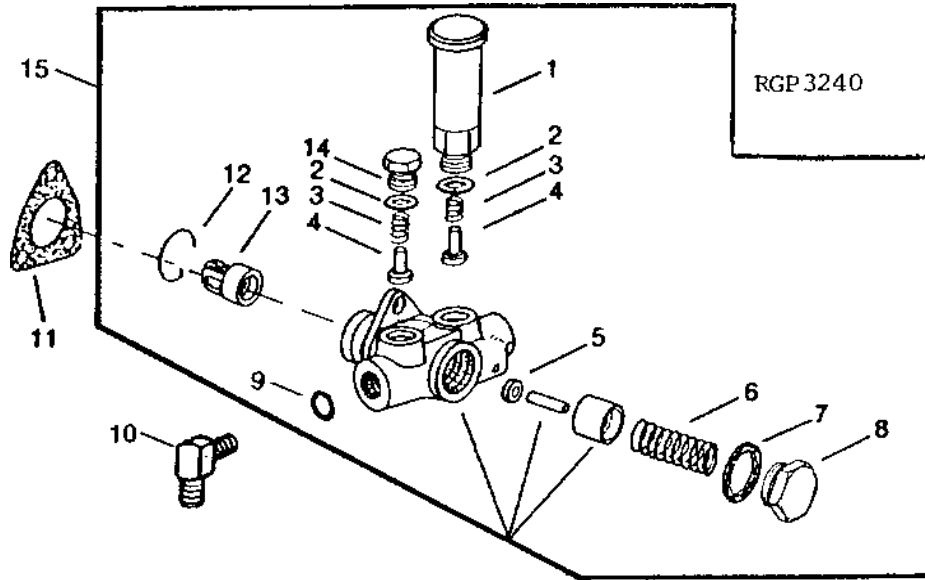
KEY	PART NO.	PART NAME	QTY	ENGINE SERIAL NO.	REMARKS
1	RE47522	ENGINE CONTROLLER	1		(MARKED RE28320) (HH004) (235HP)
2	14M7297	NUT	1		M5
3	12H296	WASHER	1		0.216"
4	R48693	WASHER	1		
5	R91824	FITTING	1		
6	RE29583	FUEL INJECTION PUMP	1		(A) (ROBERT BOSCH) (PES6P120A720RS3184)
7	RE33390	GEAR	1		(MATCHED SET W/CAMSHAFT DRIVE GEAR)
8	R63845	WASHER	4		
9	19H3336	CAP SCREW	4		3/8" X 7/8"
10	R114130	STUD	4		(SUB FOR R55396)
11	M72490	WASHER	4		(SUB FOR R42729)
12	14H1090	NUT	4		3/8", (SUB FOR R32511 OR E55662, APPL.)
13	RE35142	FUEL PUMP	1		
14	R67264	PACKING	2	141005-	
15	RE38733	OIL LINE	1	141005-	
16	R76822	FITTING	1	141005-	
17	AR88903	ELBOW FITTING	1	141005-	
18	R73858	O-RING	1		
19	R39832	ADAPTER	1	-141004	(USE WITH RE14229)
20	RE14229	OIL LINE	1	-141004	(SUB RE38733, AR88903 AND R76822)
21	R73858	O-RING	1		
22	AT32335	ELBOW FITTING	1	-141004	(USE WITH RE14229)
23	HOUSING	NA		
24	RE31504	WIRING HARNESS	1		
25	R72853	CLAMP	1		
..	R89014	SOLENOID	1		(SHUT-OFF HOUSING)
..	RE28217	FUEL TEMPERATURE SENSOR	1		(TEMPERATURE)
..	R98500	O-RING	1		
..	R99047	O-RING	1		

(A) "SEE YOUR AUTHORIZED PUMP REPAIR STATION FOR PARTS NOT LISTED"

1G5

6076 ENGINE (ENGINE SERIAL NUMBER -499999)

FUEL TRANSFER PUMP (253HP/HH001 OR 235HP/HH004)
 (ROBERT BOSCH)
 (ENGINE SERIAL NO. -499999)
 RGP3240 -UN-01JAN94



KEY	PART NO.	PART NAME	QTY	ENGINE SERIAL NO.	REMARKS
1	RE48048	HAND PRIMER	1		(SUB FOR R70135)
2	R54025	WASHER	2		
3	R54023	SPRING	2		
4	R54022	VALVE	2		
5	R54013	O-RING	1		
6	R75272	SPRING	1		
7	R64861	WASHER	1		
8	R54015	DRAIN PLUG	1		
9	R26448	O-RING	2		(SUB FOR R78079, APPL)
10	RE10258	ELBOW FITTING	1		(OUTLET)
	RE34128	ELBOW FITTING	1		(INLET)
	R67879	GASKET	1		
12	R54021	SNAP RING	1		
13	AR73863	TAPPET	1		
14	R54024	PLUG	1		
15	RE35142	FUEL PUMP	1		

1G6

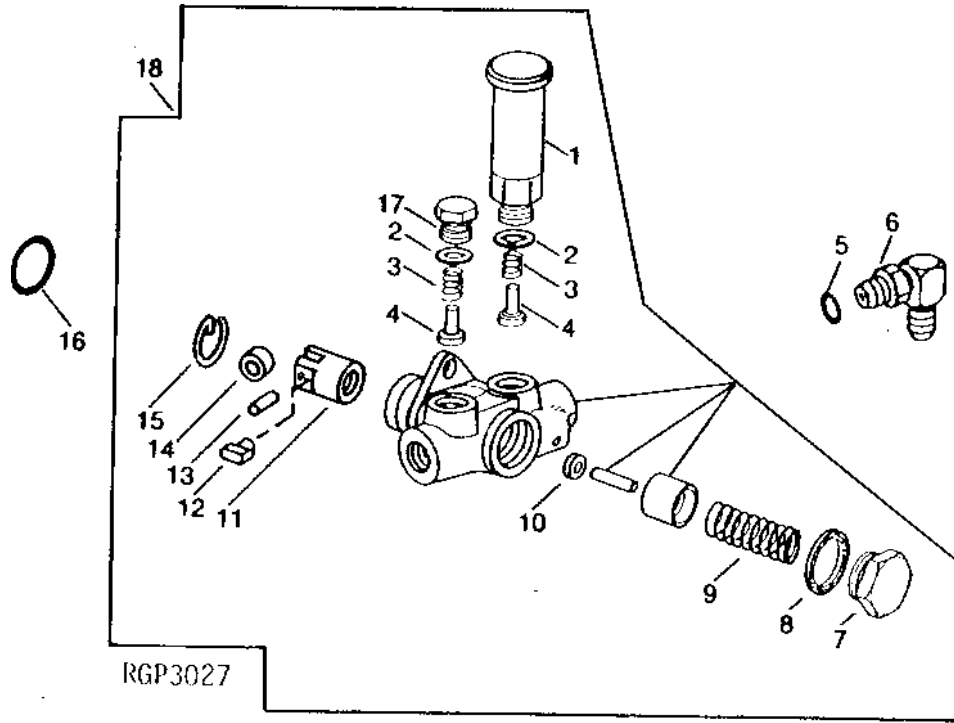
6076 ENGINE (ENGINE SERIAL NUMBER -499999)

FUEL TRANSFER PUMP (190HP/TH001 OR 215HP/HH003)

(DENSO)

(ENGINE SERIAL NO. -499999)

RGP3027 -UN-01JAN94



KEY	PART NO.	PART NAME	QTY	ENGINE SERIAL NO.	REMARKS
1	AR81825	HAND PRIMER	1		
2	R64854	WASHER	2		
3	R64855	SPRING	2		
4	R64856	VALVE	2		
5	R26448	O-RING	2		
6	RE10258	ELBOW FITTING	1		(OUTLET)
	RE34128	ELBOW FITTING	1		(INLET)
7	R64860	DRAIN PLUG	1		
8	R64861	WASHER	1		(NO LONGER REQUIRED)
9	R77206	SPRING	1		
10	AR87663	SEAL	1		
11	R73872	TAPPET	1		
12	R73871	PIN	2		
13	R73870	NEEDLE ROLLER	2		
14	R73869	ROLLER	1		
15	R64871	SNAP RING	1		
16	R64927	O-RING	1		
17	R64853	DRAIN PLUG	1		
18	RE35139	FUEL PUMP	1		(DENSO)

1G7

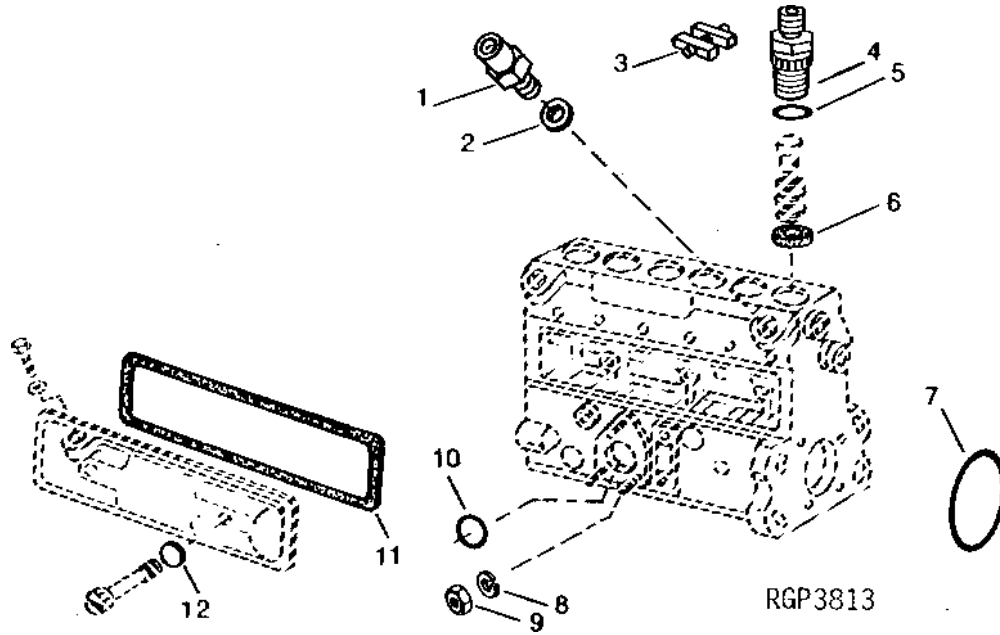
6076 ENGINE (ENGINE SERIAL NUMBER -499999)

FUEL INJECTION PUMP HOUSING CONNECTORS (190HP/TH001 OR 215HP/HH003)

(DENSO)

(ENGINE SERIAL NO. -499999)

RGP3813 -UN-01JAN94

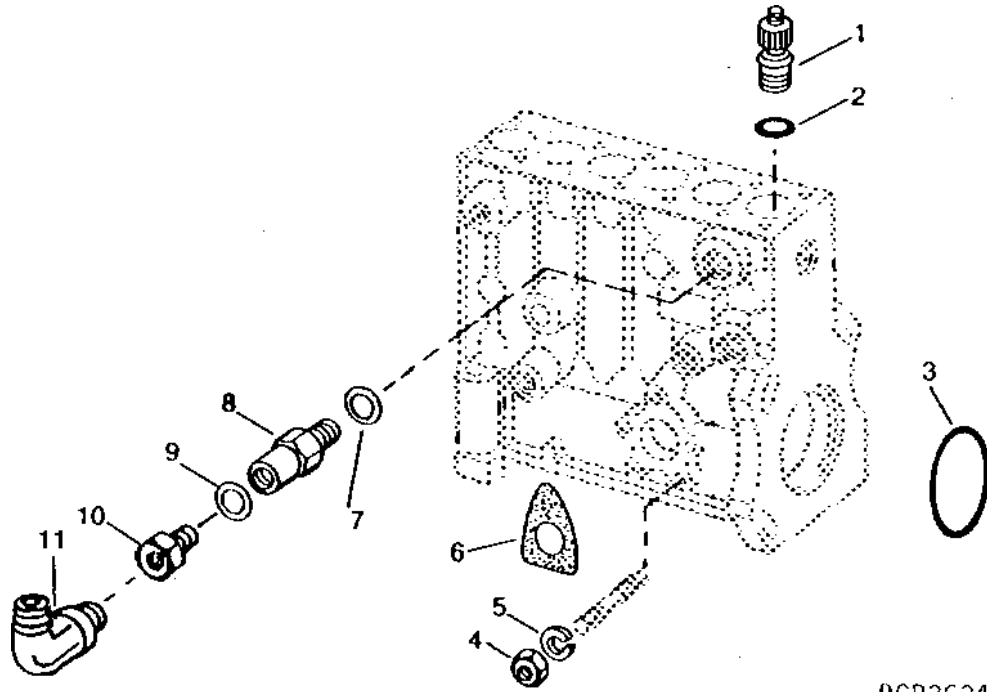


KEY	PART NO.	PART NAME	QTY	ENGINE SERIAL NO.	REMARKS
1	RE10582	CONTROL VALVE	1		
2	R64857	WASHER	1		
3	R77536	JAW	3		
4	R73817	HOLDER	6		
5	R73821	O-RING	6		
6	R73820	SHIM	6		
7	R73864	O-RING	1		
8	R64926	LOCK WASHER	3		
9	14M7272	NUT	3	M6	
10	R64927	O-RING	1		
11	R78774	GASKET	1		
12	R78773	PACKING	2		

1G8

6076 ENGINE (ENGINE SERIAL NUMBER -499999)

FUEL INJECTION PUMP HOUSING CONNECTORS (6076HH004) (235HP)
 (ENGINE SERIAL NO. -499999)
 (ROBERT BOSCH)
 RGP3634 -UN-01JAN94

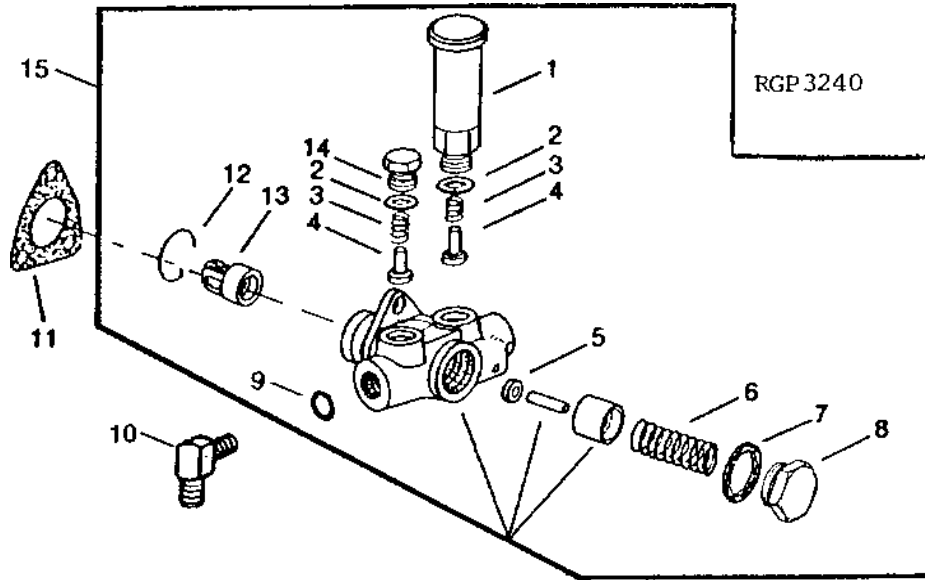


KEY	PART NO.	PART NAME	QTY	ENGINE SERIAL NO.	REMARKS
1	R99531	HOLDER	6		
2	T24210	O-RING	6		
3	R53884	O-RING	1		
4	T31556	NUT	3		
5	T24229	LOCK WASHER	3		
6	R67879	GASKET	1		
7	R53899	WASHER	1		
8	RE36151	CONTROL VALVE	1		(SUB FOR AR77114, THIS APPLICATION)
9	R53901	WASHER	1		
10	R63016	ADAPTER	1		
11	R67364	ELBOW FITTING	1		

1G9

6076 ENGINE (ENGINE SERIAL NUMBER -499999)

FUEL TRANSFER PUMP (6076HH004) (235HP)
 (ROBERT BOSCH)
 (ENGINE SERIAL NO. -499999)
 RGP3240 -UN-01JAN94



KEY	PART NO.	PART NAME	QTY	ENGINE SERIAL NO.	REMARKS
1	R70135	HAND PRIMER	1		
2	R54025	WASHER	2		
3	R54023	SPRING	2		
4	R54022	VALVE	2		
5	R54013	O-RING	1		
6	R75272	SPRING	1		
7	R64861	WASHER	1		
8	R54015	DRAIN PLUG	1		
9	R26448	O-RING	2		(SUB FOR R78079, THIS APPLICATION)
10	RE10258	ELBOW FITTING	1		(OUTLET)
	RE34128	ELBOW FITTING	1		(INLET)
11	R67879	GASKET	1		
12	R54021	SNAP RING	1		
13	AR73863	TAPPET	1		
14	R54024	PLUG	1		
15	RE35142	FUEL PUMP	1		

1G10

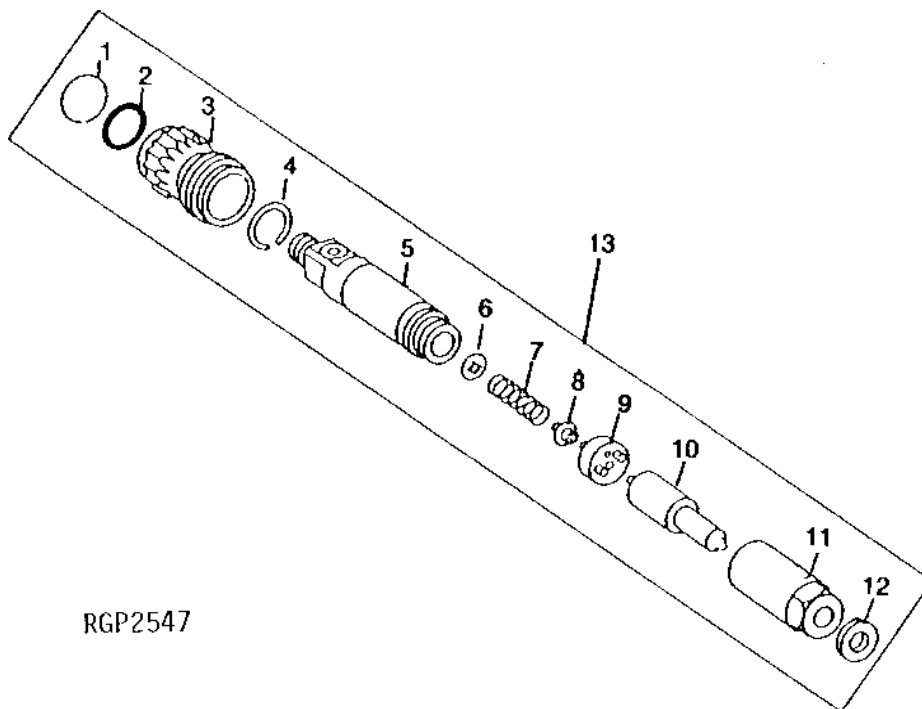
6076 ENGINE (ENGINE SERIAL NUMBER -499999)

FUEL INJECTION NOZZLE (190HP/TH001 OR 215HP/HH003)

(ROBERT BOSCH)

(ENGINE SERIAL NO. 142256-499999)

RGP2547 -UN-01JAN94



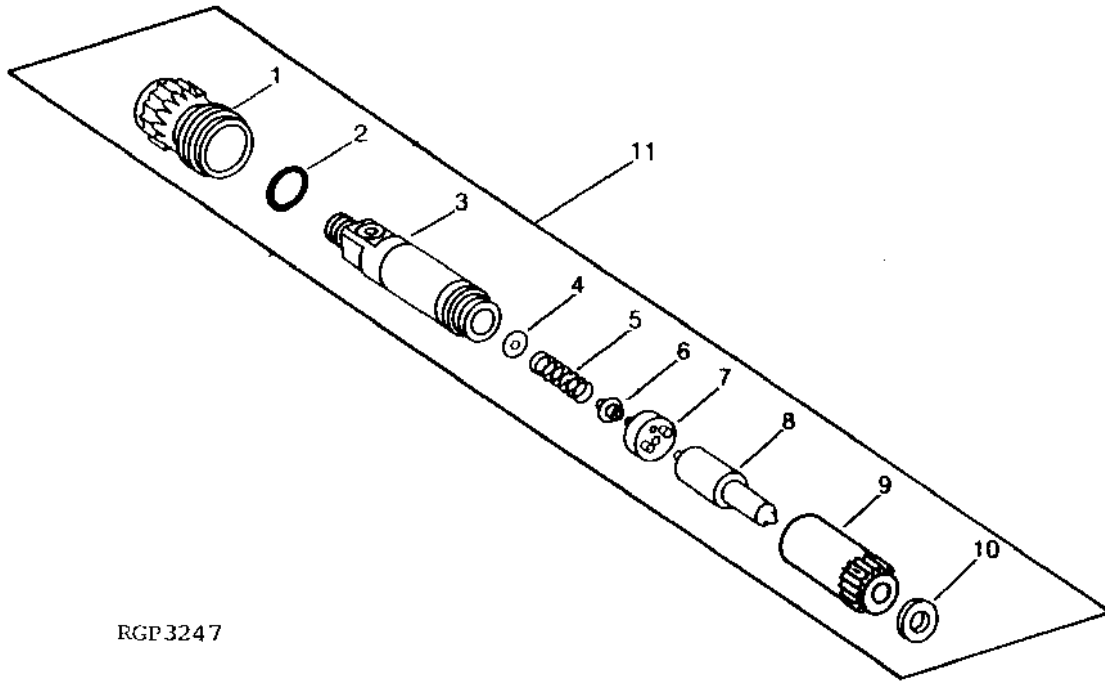
RGP2547

KEY	PART NO.	PART NAME	QTY	ENGINE SERIAL NO.	REMARKS
1	R60277	SNAP RING	1		
2	R51603	O-RING	1		
3	R60279	NUT	1		
4	R60278	SNAP RING	1		
5	R60272	NOZZLE HOLDER	1	(SUB RE46364)	
6	R83720	WASHER	1	1.02 MM (.0402")	
	R83721	WASHER	1	1.08 MM (.0425")	
	R83722	WASHER	1	1.12 MM (.0441")	
	R83723	WASHER	1	1.18 MM (.0465")	
	R83724	WASHER	1	1.22 MM (.0480")	
	R83725	WASHER	1	1.28 MM (.0504")	
	R83726	WASHER	1	1.30 MM (.0512")	
	R83727	WASHER	1	1.38 MM (.0543")	
	R83728	WASHER	1	1.42 MM (.0559")	
	R83729	WASHER	1	1.48 MM (.0583")	
	R83730	WASHER	1	1.50 MM (.0591")	
	R83731	WASHER	1	1.58 MM (.0622")	
	R83732	WASHER	1	1.60 MM (.0630")	
	R83733	WASHER	1	1.68 MM (.0661")	
	R83734	WASHER	1	1.70 MM (.0669")	
	R83735	WASHER	1	1.78 MM (.0701")	
	R83736	WASHER	1	1.82 MM (.0717")	
	R83737	WASHER	1	1.88 MM (.0740")	
	R83738	WASHER	1	1.90 MM (.0748")	
	R83739	WASHER	1	1.98 MM (.0780")	
7	R108699	SPRING	1		
8	R108700	SEAT	1		
9	R108701	PLATE	1		
10	RE30973	NOZZLE	1	(7 X 0.24)	
11	R108702	NUT	1		
12	R84472	WASHER	1		
13	RE46364	INJECTION NOZZLE	6	(ROBERT BOSCH)	

1G11

6076 ENGINE (ENGINE SERIAL NUMBER -499999)

FUEL INJECTION NOZZLE (TH001, HH003 OR HH004)
(DENSO)
(ENGINE SERIAL NO. -499999)
RGP3247 -UN-01JAN94



RGP3247

1G12

6076 ENGINE (ENGINE SERIAL NUMBER -499999)

FUEL INJECTION NOZZLE (TH001, HH001, HH003 OR HH004) - CONTINUED

(DENSO)

(ENGINE SERIAL NO. -499999)

KEY	PART NO.	PART NAME	QTY	ENGINE SERIAL NO.	REMARKS
1	R68035	NUT	1		
2	R69089	O-RING	1		
3	R94400	NOZZLE HOLDER	1	-184892	
	R115369	NOZZLE HOLDER	1	184893-	
4	R68036	SHIM	AR		0.70MM (.028")
	R90544	SHIM	AR		0.725MM (.0285")
	R68037	SHIM	AR		0.75MM (.030")
	R90543	WASHER	AR		0.775MM (.0305")
	R68038	WASHER	AR		0.80MM (.032")
	R90542	WASHER	AR		0.825MM (.0324")
	R68039	WASHER	AR		0.85MM (.034")
	R90541	WASHER	AR		0.875MM (.0344")
	R68040	WASHER	AR		0.90MM (.035")
	R90540	WASHER	AR		0.925MM (.0364")
	R68041	WASHER	AR		0.95MM (.037")
	R90539	WASHER	AR		0.975MM (.0383")
	R68042	WASHER	AR		1.00MM (.039")
	R90538	WASHER	AR		1.025MM (.0403")
	R68043	WASHER	AR		1.05MM (.041")
	R90537	WASHER	AR		1.075MM (.0423")
	R68044	WASHER	AR		1.10MM (.043")
	R90536	WASHER	AR		1.125MM (.0443")
	R68045	WASHER	AR		1.15MM (.045")
	R90535	WASHER	AR		1.175MM (.0462")
	R68046	WASHER	AR		1.20MM (.047")
	R90534	WASHER	AR		1.225MM (.0482")
	R68047	WASHER	AR		1.25MM (.049")
	R90533	WASHER	AR		1.275MM (.0502")
	R68048	WASHER	AR		1.30MM (.051")
	R90532	WASHER	AR		1.325MM (.0522")
	R68049	WASHER	AR		1.35MM (.053")
	R90531	WASHER	AR		1.375MM (.0541")
	R68050	WASHER	AR		1.40MM (.055")
	R90530	WASHER	AR		1.425MM (.0561")
	R68051	WASHER	AR		1.45MM (.057")
	R90529	WASHER	AR		1.475MM (.0580")
	R68052	WASHER	AR		1.50MM (.059")
5	R68053	SPRING	1	-184892	(SUB R115368 AND R115369, APPL)
	R115368	SPRING	1	184893-	
6	R94410	SEAT	1		
7	R94412	PLATE	1		
8	RE29179	INJECTION NOZZLE	1	-184892	(A) (7 X 0.255) (SUB RE52114)
	RE52114	INJECTION NOZZLE	1	184893-	(A) (7 X 0.255)
	RE30085	INJECTION NOZZLE	1	-142255	(B) (7 X 0.23) (SUB RE46364, APPL, TH001)
	RE52110	INJECTION NOZZLE	1		(C) (7 X 0.23) (DENSO)
9	R94414	NUT	1		
10	R84472	WASHER	1		
11	RE25253	INJECTION NOZZLE	6		(A) (SUB RE52113 AND R84472) (DENSO)
	RE52113	INJECTION NOZZLE	6		(A)
	R84472	WASHER	6		(A)
	RE30159	INJECTION NOZZLE	6	-142255	(B) (DENSO)
	RE30159	INJECTION NOZZLE	6		(C) (DENSO)

(A) HH001, HH004

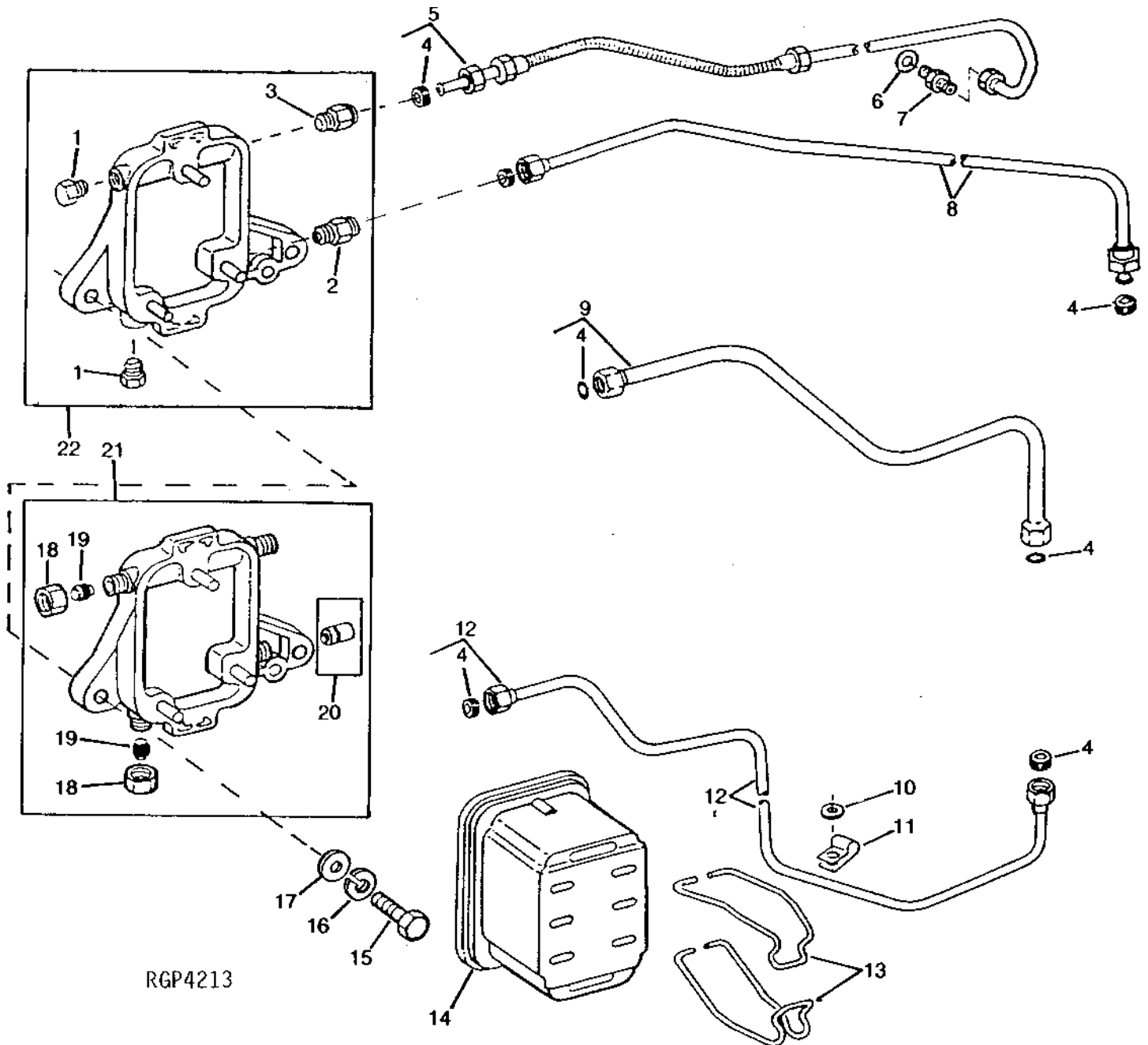
(B) TH001

(C) HH003

1G13

6076 ENGINE (ENGINE SERIAL NUMBER -499999)

FUEL FILTER AND LINES
(ENGINE SERIAL NO. -499999)
RGP4213 -UN-01JAN94



RGP4213

1G14

6076 ENGINE (ENGINE SERIAL NUMBER -499999)

FUEL FILTER AND LINES - CONTINUED
(ENGINE SERIAL NO. -499999)

KEY	PART NO.	PART NAME	QTY	ENGINE SERIAL NO.	REMARKS
1	R119223	PLUG	2		
2	RE54244	CHECK VALVE	1		(USE WITH RE47501)
3	RE54245	FITTING	1		(USE WITH RE47501)
4	R67092	SEAL	3		
5	RE41173	FUEL LINE	1		(B) (SUB FOR RE28951)
	RE41174	FUEL LINE	1		(A) (SUB FOR RE28950 OR RE39780)
6	R53899	WASHER	1		(A)
	R53901	WASHER	1		(B)
	R93008	WASHER	1		(A)
7	R83490	FITTING	1	-655200	(TH001)
	R83489	FITTING	1		(A) (B)
8	RE38738	FUEL LINE	1	109066-	(A)
9	FUEL LINE	NA		
10	24H1305	WASHER	1		13/32" X 13/16" X 0.065", (USE WITH RE28954 OR RE37689)
11	T13814	CLAMP	1		(USE WITH RE28954 OR RE37689)
12	RE28954	FUEL LINE	1	-109065	(SUB RE38738)
	RE37689	FUEL LINE	1		(B)
13	R89927	CLAMP	2		
14	RE27091	FUEL FILTER	1		
15	N167861	SELF-LOCKING SCREW	2	-655200	7/16" X 1-1/4", (SUB (2) 19H2731, (2) 12H293 AND (2) 24H1325, THIS APPLICATION)
	19H3104	CAP SCREW	2		7/16" X 1-1/4"
16	12H293	LOCK WASHER	2		7/16", (NO LONGER REQUIRED WITH 19H1304)
17	24H1325	WASHER	2		15/32" X 59/64" X 0.065"
18	R49672	FITTING	2		
19	R97237	PLUG	2		
	R67092	SEAL	2		
20	RE33542	CHECK VALVE	1		(USE WITH RE28947)
21	RE28947	BASE	1		(SUB RE47501)
22	RE47501	BASE	1		(SUB FOR RE28947)

(A) - HH001, HH004

(B) - TH001, HH003

MEMORANDA

1G15

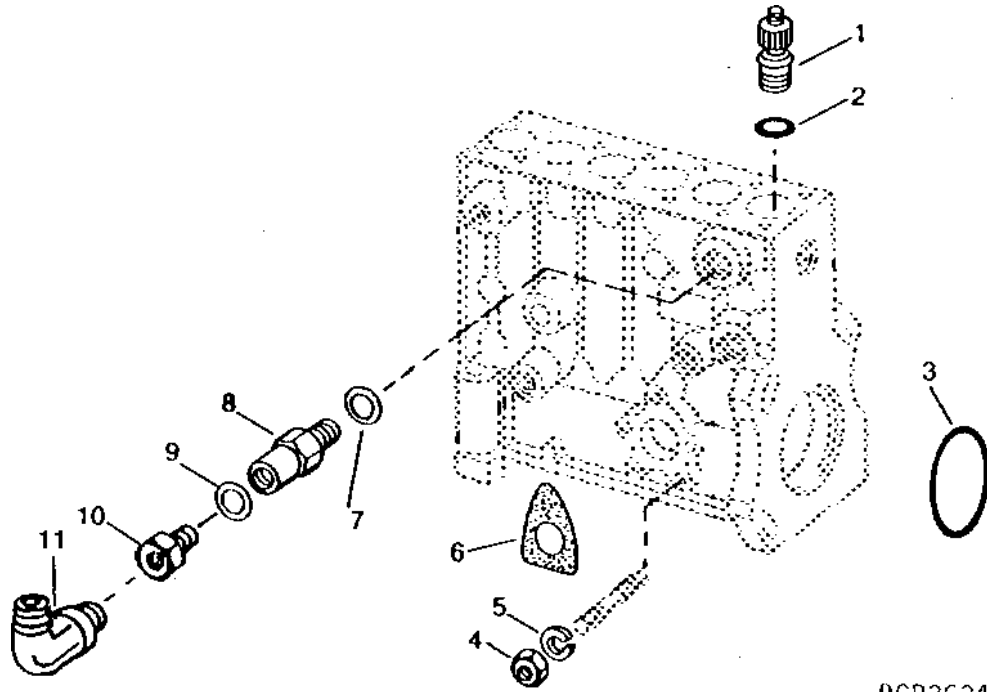
6076 ENGINE (ENGINE SERIAL NUMBER -499999)

FUEL INJECTION PUMP HOUSING CONNECTORS (235HP/HH004 OR 253HP/HH001)

(ENGINE SERIAL NO. -499999)

(ROBERT BOSCH)

RGP3634 -UN-01JAN94



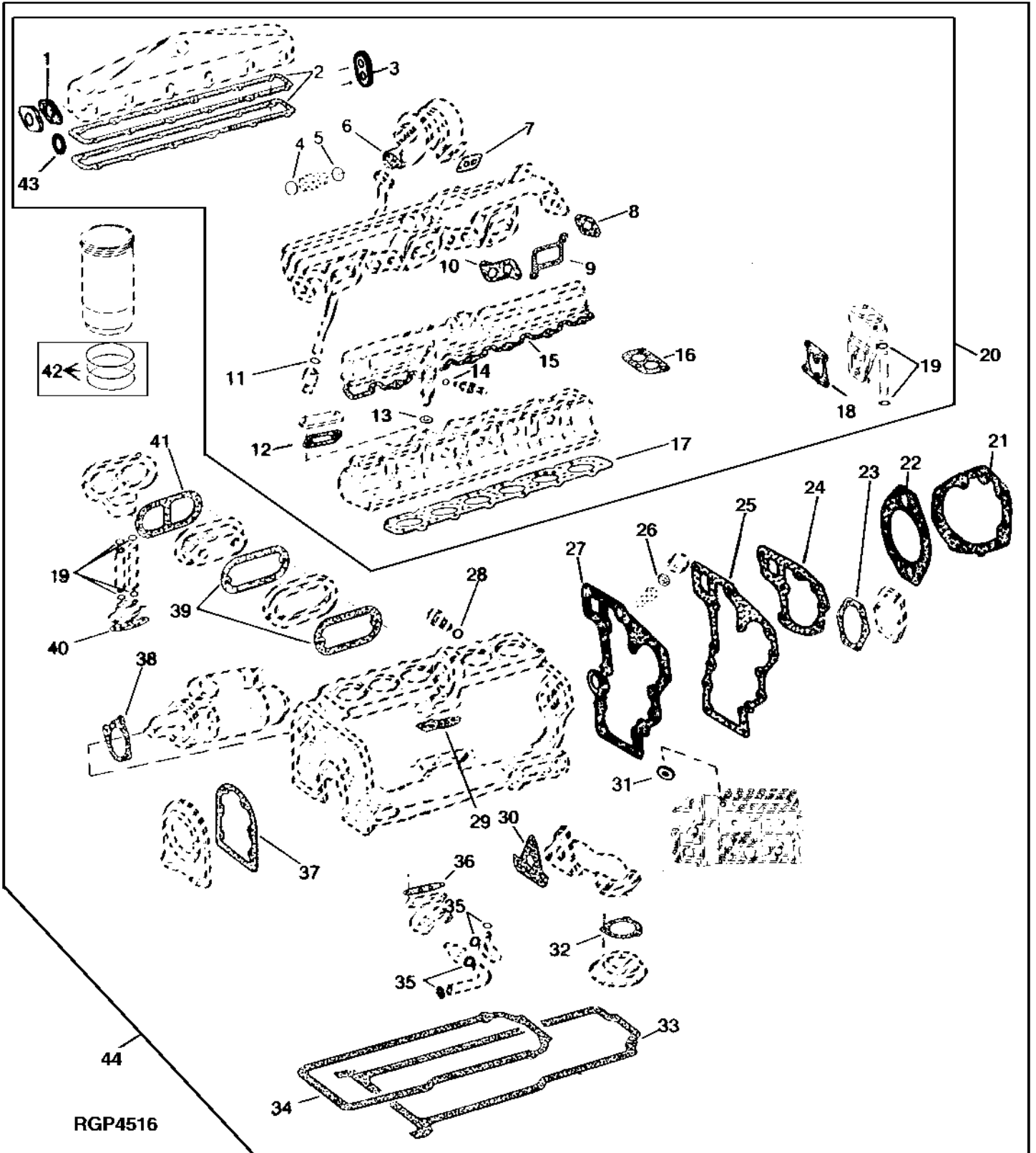
RGP3634

KEY	PART NO.	PART NAME	QTY	ENGINE SERIAL NO.	REMARKS
1	R99531	HOLDER	6	(NLA)	
2	T24210	O-RING	6		
3	R53884	O-RING	1		
4	T31556	NUT	3		
5	T24229	LOCK WASHER	3		
6	R67879	GASKET	1		
7	R53899	WASHER	1		
8	RE36151	CONTROL VALVE	1	(SUB FOR AR77114, APPL)	
9	R53901	WASHER	1		
10	R63016	ADAPTER	1		
11	R67364	ELBOW FITTING	1		

1G16

6076 ENGINE (ENGINE SERIAL NUMBER -499999)

ENGINE GASKET KITS
(ENGINE SERIAL NO. -499999)
RGP4516 -UN-23JUN95



RGP4516

1G17

6076 ENGINE (ENGINE SERIAL NUMBER -499999)

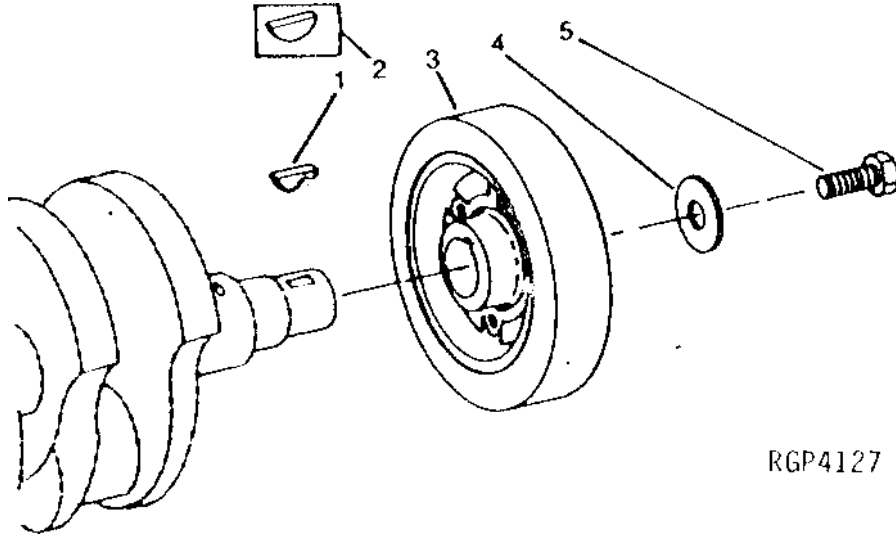
ENGINE GASKET KITS - CONTINUED
(ENGINE SERIAL NO. -499999)

KEY	PART NO.	PART NAME	QTY	ENGINE SERIAL NO.	REMARKS
1	GASKET	NA		
2	R88993	GASKET	NA		
3	R100911	SEAL	1		(SUB FOR R92447)
4	R50405	O-RING	NA		
5	R86743	O-RING	1		(6076HH001, TH001, HH003 OR HH004)
6	R105346	GASKET	1		(SUB FOR R43416 OR R97346)
7	R89879	GASKET	1		
	R92097	GASKET	1		(FOR TH001, HH001, HH003 OR HH004)
8	R83021	GASKET	2		
9	R120646	GASKET	3		(SUB FOR R87316 OR R102838, APPL)
10	R83020	GASKET	2		
11	R72328	O-RING	1		
12	R88397	GASKET	2		(SUB FOR R42693)
13	R84472	WASHER	6		
14	R77551	O-RING	6		
15	R49866	GASKET	1		
16	R46479	GASKET	1		
17	RE47336	ENGINE CYLINDER HEAD GASKET	1		(SUB FOR R55182, RE34010 OR R80026)
18	R86062	GASKET	1		
19	R47153	O-RING	6		
20	RG22248	GASKET KIT	1		CYLINDER HEAD, (SUB FOR RE29859) (SUB RG27884)
	RG27884	GASKET KIT	1		
21	GASKET	NA		
22	GASKET	NA		
23	R50390	GASKET	1		
24	R71315	GASKET	1		
25	R71314	GASKET	1		
26	T20328	GASKET	1		
27	GASKET	NA		
28	U13639	O-RING	1		
29	R43774	GASKET	1		
30	R71312	GASKET	1		
31	R53899	WASHER	1		(USE WITH R83490)
	R53901	WASHER	1		(USE WITH R83489)
32	R52049	GASKET	1		
33	R71918	GASKET	1		(CAST IRON OIL PAN)
34	R49377	GASKET	1		(ALUMINUM OIL PAN)
35	R71732	O-RING	4		
36	R65055	GASKET	1		
37	R26058	GASKET	1		
38	R53108	GASKET	1		
39	AR58952	GASKET	2		(CONSISTS OF (2) R50417)
40	R50424	GASKET	1		
41	R50419	GASKET	1		
42	AR98850	KIT	6		(NO LONGER INCLUDED)
43	O-RING	NA		
44	RE35647	GASKET KIT	1		ENGINE REBUILD, (SUB FOR RE30206)

1G18

6076 ENGINE (ENGINE SERIAL NUMBER -499999)

CRANKSHAFT DAMPER
(ENGINE SERIAL NO. -499999)
RGP4127 -UN-01JAN94

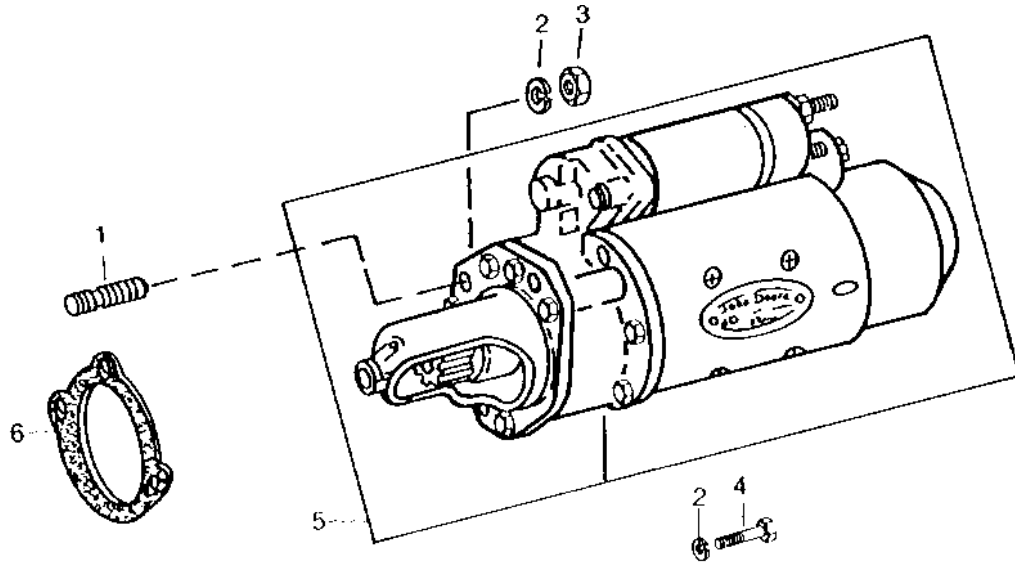


KEY	PART NO.	PART NAME	QTY	ENGINE SERIAL NO.	REMARKS
1	R116311	KEY	1		(USE WITH RE53203)
2	26H85	SHAFT KEY	1		1/4" X 1", (USE WITH R87544, R63451 OR RE42675)
3	RE24975	TORSIONAL DAMPENER	1		
4	R26333	WASHER	1		16.662 X 57.150 X 9.525 MM (21/32" X 2-1/4" X 3/8")
5	R79846	CAP SCREW	1		15.875 X 50.800 MM (5/8" X 2")

1G19

6076 ENGINE (ENGINE SERIAL NUMBER -499999)

STARTING MOTOR
(12-VOLT)
(DENSO)
(ENGINE SERIAL NO. -136850)
 RGP3021 -UN-01JAN94



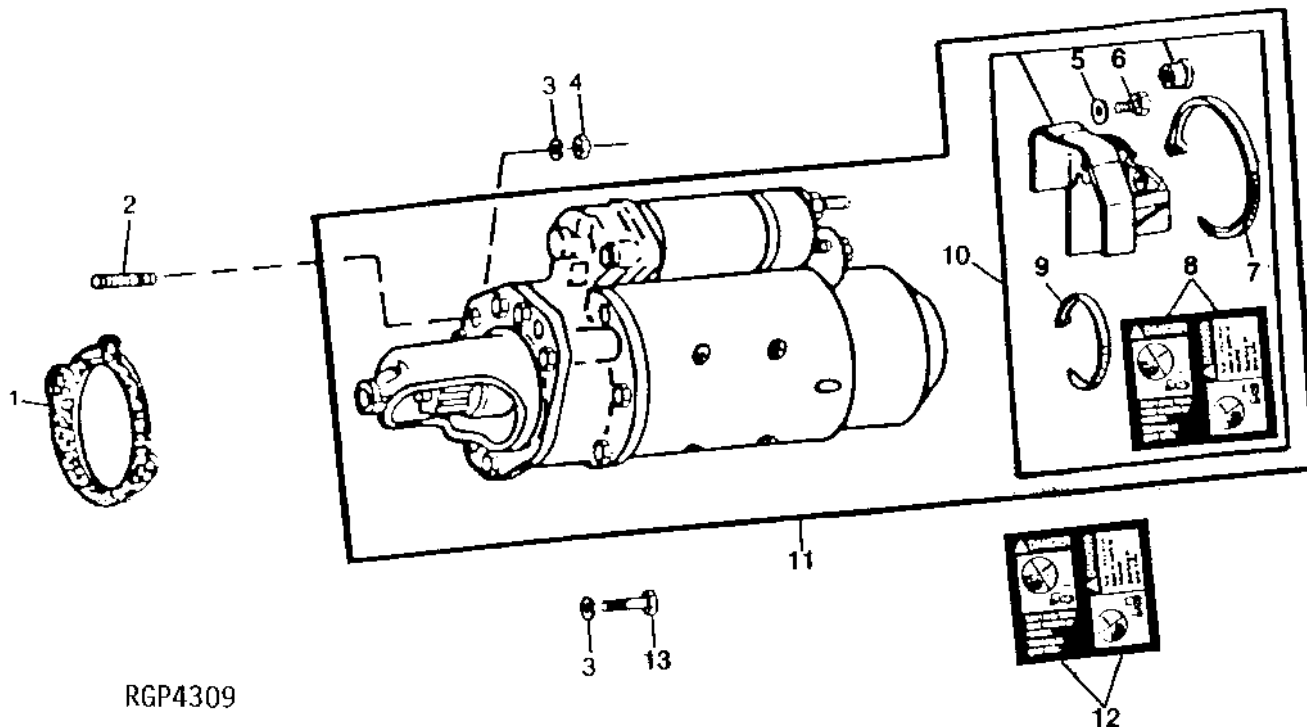
RGP3021

KEY	PART NO.	PART NAME	QTY	ENGINE SERIAL NO.	REMARKS
1	R114130	STUD	1		(SUB FOR R55396)
2	12H304	LOCK WASHER	3		3/8"
3	E55662	FLANGE NUT	1		(2) (NOT REQUIRED WITH E55662)
4	19H3219	CAP SCREW	2		3/8" X 1-3/8"
5	RE13722	STARTER MOTOR	1		(DENSO NO. 028000-3292) (WITHOUT COVER) (SUB RE41875 OR TY6713)
	TY6617	STARTER MOTOR	1		REMANUFACTURED (DENSO) (WITHOUT COVER) (SUB TY6713)
6	R53108	GASKET	1		
..	RE41875	STARTER MOTOR	1		(DENSO NO. 028000-3292) (CONTAINS RE39064) (SUB FOR RE13722)
..	TY6713	STARTER MOTOR	1		(REMANUFACTURED DENSO WITH RE39064) (SUB FOR TY6617)

1G20

6076 ENGINE (ENGINE SERIAL NUMBER -499999)

STARTING MOTOR (12V F4)
(DENSO)
(ENGINE SERIAL NO. 136851-499999)
 RGP4309 -UN-14SEP95



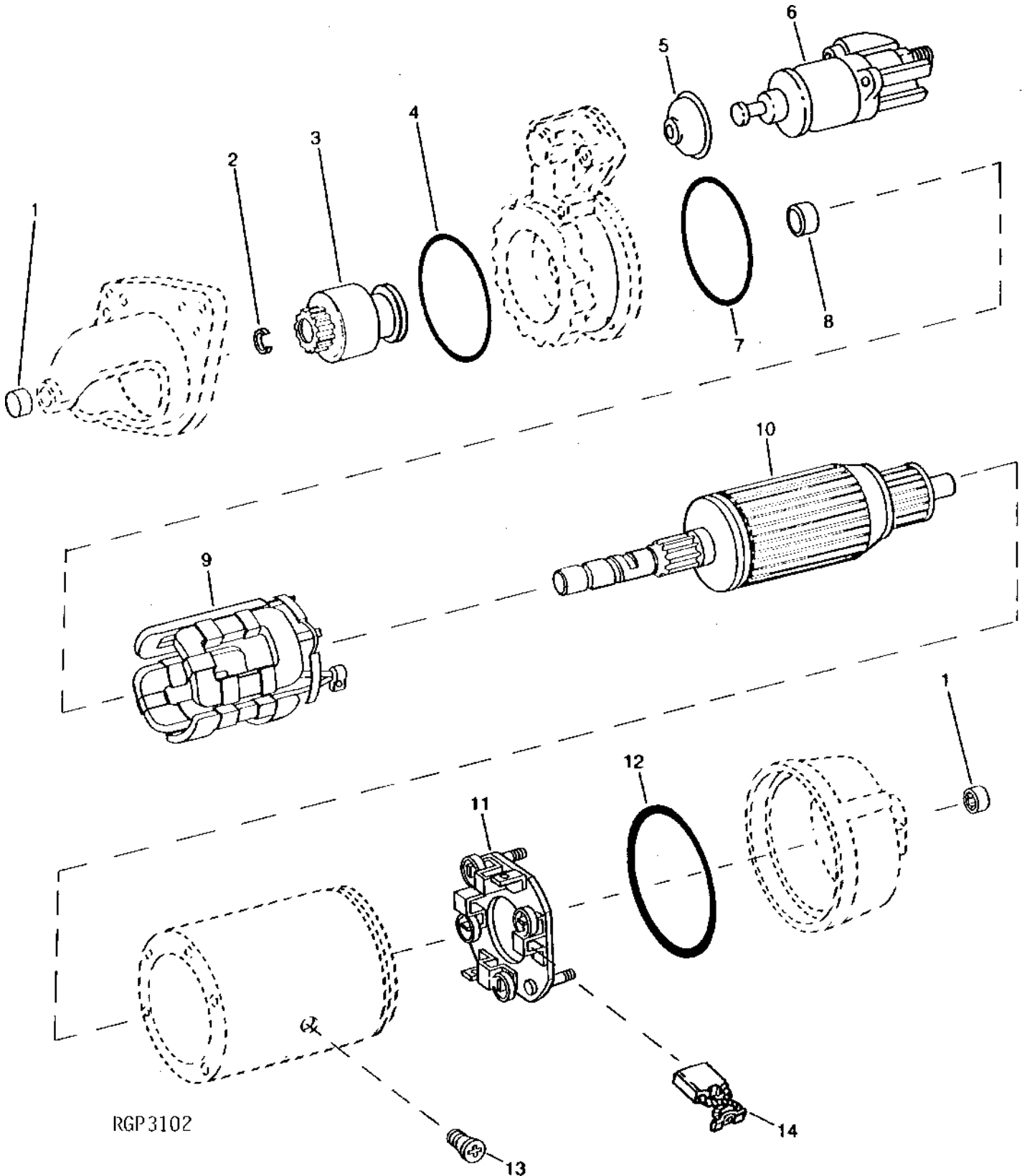
KEY	PART NO.	PART NAME	QTY	ENGINE SERIAL NO.	REMARKS
1	R53108	GASKET	1		
2	R114130	STUD	1		(SUB FOR R55396, APPL)
3	24M7096	WASHER	2		10.500 X 18 X 1.600 MM
4	E55662	FLANGE NUT	2		
5	R104676	SHIM	1		
6	R104646	SCREW	1		
7	H113196	TIE BAND	1		(SUB FOR R76477 OR R45440)
8	T146102	LABEL	1		(ENGLISH) (SUB FOR T134459)
9	R44302	TIE BAND	NA		
10	RE41758	COVER	1		(USE WITH TY6731 OR TY6781)
	RE45329	COVER	1		(USE WITH RE43266 OR RE54416)
11	RE43423	STARTER MOTOR	1		(DENSO NO. 128000-5972) (MARKED RE43266) (CONTAINS RE45329) (SUB RE65176)
	TY6731	STARTER MOTOR	1		(REMANUFACTURED) (DENSO) (CONTAINS RE41758) (SUB TY6781)
	RE56053	STARTER MOTOR	1		(DENSO NO. 128000-2360) (MARKED RE54416) (CONTAINS RE45329) (SUB RE65176)
	RE65176	KIT	1		(DENSO NO. 22800-4601) (MARKED RE59589)
	TY6781	STARTER MOTOR	1		(REMANUFACTURED) (DENSO) (CONTAINS RE45329)
12	T146517	SAFETY SIGN	1		(ENGLISH/FRENCH) (SUB FOR T134456)
	T146104	SAFETY SIGN	1		(FRENCH) (SUB FOR T134453)
	T146515	SAFETY SIGN	1		(GERMAN) (SUB FOR T134454)
	T146516	SAFETY SIGN	1		(ITALIAN) (SUB FOR T134455)
	T146106	SAFETY SIGN	1		(SPANISH) (SUB FOR T134452)
13	19H3219	CAP SCREW	2		3/8" X 1-3/8"
..	TY22471	CLAMP	1		(INCLUDED WITH RE56053 AND RE65176) (SUB FOR RE43166)

MEMORANDA

1G21

6076 ENGINE (ENGINE SERIAL NUMBER -499999)

STARTING MOTOR (12V F4)
(DENSO NO. 128000-5972 OR 128000-5973)
(ENGINE SERIAL NO. 136851-499999)
RGP3102 -UN-01JAN94



1G22

6076 ENGINE (ENGINE SERIAL NUMBER -499999)

STARTING MOTOR (12V F4) - CONTINUED
(DENSO NO. 128000-5972 OR 128000-5973)
(ENGINE SERIAL NO. 136851-499999)

KEY	PART NO.	PART NAME	QTY	ENGINE SERIAL NO.	REMARKS
1	RE39251	NEEDLE BEARING	2		
2	R50902	SNAP RING	1		
3	RE39249	CLUTCH	1		
4	R50901	WASHER	1	-XXXXXX	(USE WITH RE43266 AND RE56053)
	R124581	DUST SHIELD	1	XXXXXX-	(USE WITH RE65176)
5	R100513	COVER	1		
6	RE39241	SWITCH	1		(USE WITH TY6731)
	RE42777	SWITCH	1		(USE WITH RE43266, RE54416 AND RE59589)
7	R100511	O-RING	1		
8	R100509	BUSHING	1		
9	RE39243	FIELD WINDING COIL	1		
10	RE39245	ARMATURE	1		
11	RE39250	CARBON BRUSH HOLDER	1		
12	R100512	O-RING	1		
13	R100508	SCREW	1		
14	RE39247	BRUSH	4		
..	RE43423	STARTER MOTOR	1		(DENSO NO. 128000-5972) (MARKED RE43266) (SUB RE65176)
..	RE56053	STARTER MOTOR	1		(DENSO NO. 128000-5973) (MARKED RE54416) (SUB RE65176)
..	RE65176	KIT	1		(DENSO NO. 22800-4601) (MARKED RE59589)

1G23

6076 ENGINE (ENGINE SERIAL NUMBER -499999)

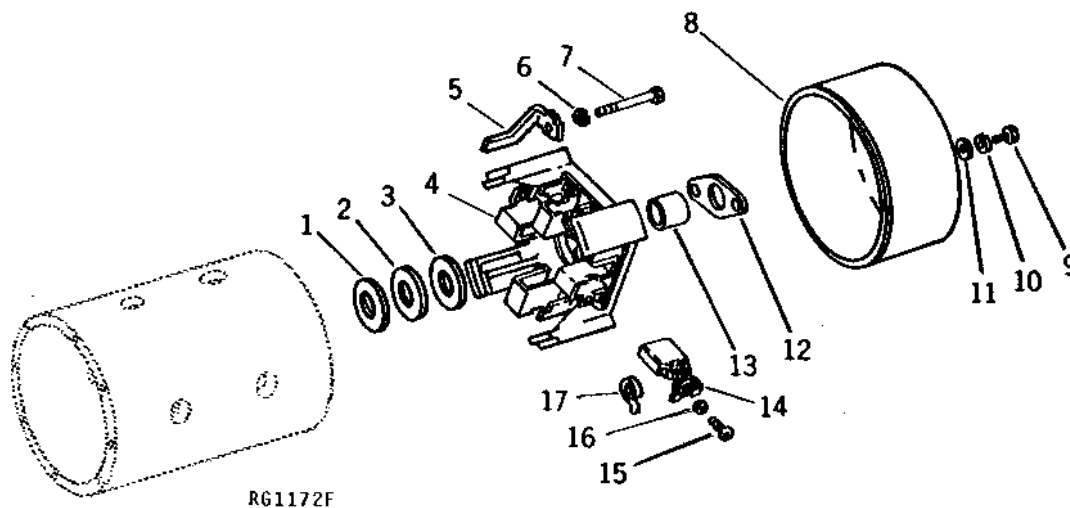
STARTER COMMUTATOR END FRAME

(12 VOLT) (JOHN DEERE)

(DENSO NO. 028000-3292)

(6076TH001 OR HH001) (ENGINE SERIAL NO. -136850)

RG1172 -UN-01JAN94

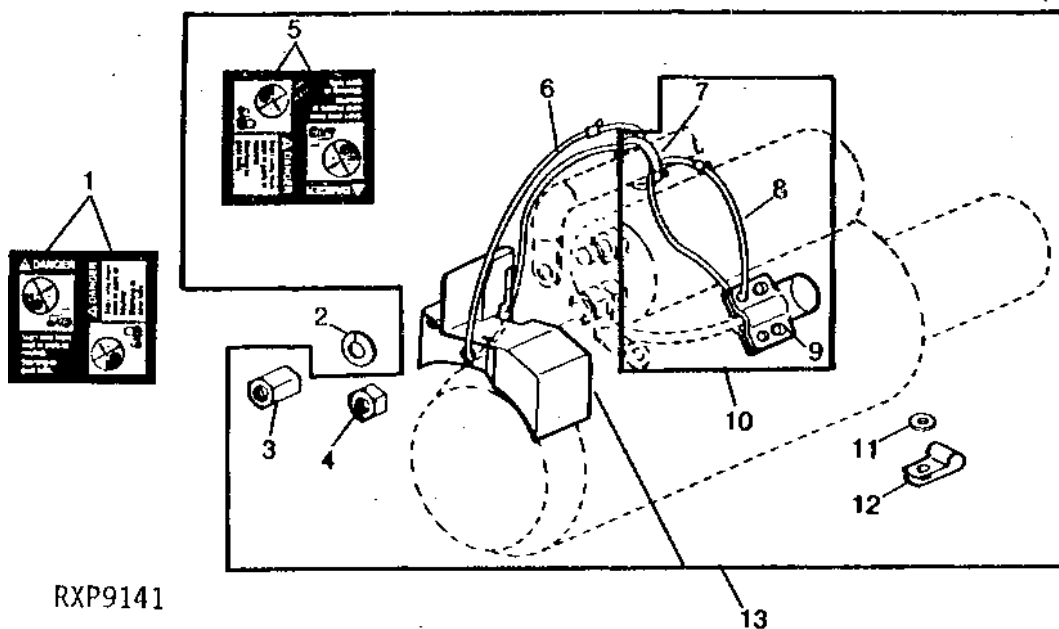


KEY	PART NO.	PART NAME	QTY	ENGINE SERIAL NO.	REMARKS
1	R50923	SHIM	AR	0.18 MM (.007")	
2	R50924	SHIM	AR	0.50 MM (.019")	
3	R50925	THRUST WASHER	1		
4	AR54997	FRAME	1		
5	R51660	BRACKET	2		
6	12H303	LOCK WASHER	2	5/16"	
7	R51659	SCREW	2		
8	R50912	COVER	1		
9	R50931	SCREW	2		
10	12H246	LOCK WASHER	6	0.190"	
11	24H1283	WASHER	2	7/32" X 1/2" X 0.049"	
12	R50930	GASKET	1		
13	R50891	BUSHING	1		
14	R50927	CARBON BRUSH CONDUCTOR	4		
15	R50929	SCREW	4		
16	12H246	LOCK WASHER	4	0.190"	
17	R50928	SPRING	4		

1G24

6076 ENGINE (ENGINE SERIAL NUMBER -499999)

**STARTER SOLENOID COVER KIT
(DENSO)
(ENGINE SERIAL NO. -499999)
RXP9141 -UN-01JAN94**



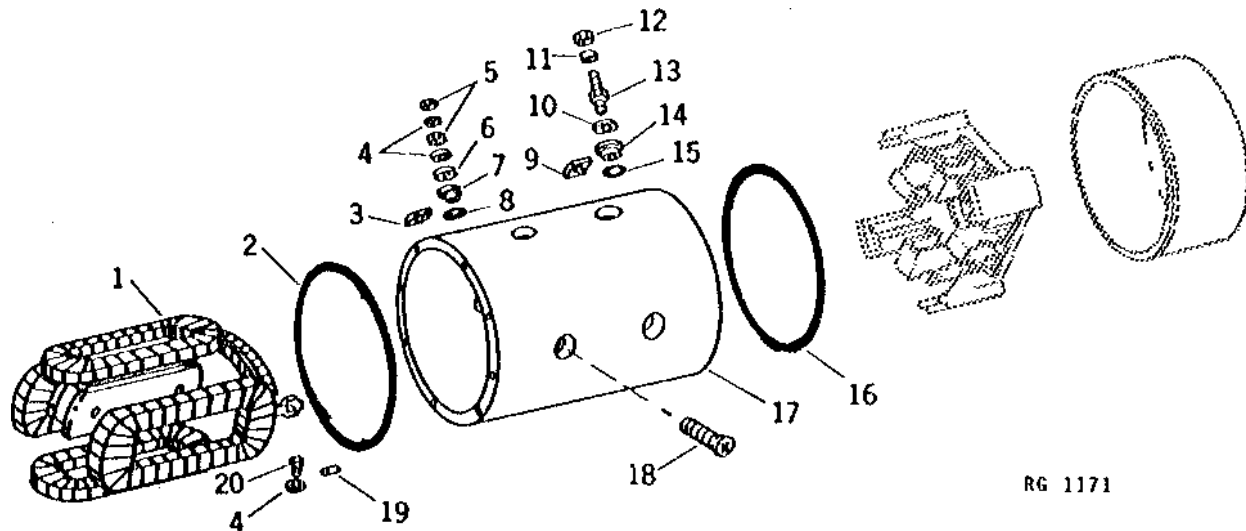
RXP9141

KEY	PART NO.	PART NAME	QTY	ENGINE SERIAL NO.	REMARKS
1	T146106	SAFETY SIGN	1		(SPANISH) (SUB FOR T84410 OR T134452)
	T146104	SAFETY SIGN	1		(FRENCH) (SUB FOR T84411 OR T134453)
	T146515	SAFETY SIGN	1		(GERMAN) (SUB FOR T84412 OR T134454)
	T146516	SAFETY SIGN	1		(ITALIAN) (SUB FOR T84413 OR T134455)
	T146517	SAFETY SIGN	1		(ENGLISH/FRENCH) (SUB FOR T84578 OR T134456)
2	12H246	LOCK WASHER	1		0.190"
3	R100380	NUT	1		
4	14H732	NUT	1		3/8"
5	T146102	LABEL	1		(ENGLISH) (SUB FOR T84409 OR T134459)
6	H113196	TIE BAND	1		(SUB FOR R76477 OR R45440)
7	R44302	TIE BAND	1		
8	H113196	TIE BAND	1		(SUB FOR R76477 OR R45440)
9	R66117	SCREW	2		
10	RE39063	SHIELD	1		
11	24H1289	WASHER	1		21/64" X 5/8" X 0.049"
12	R46414	CLAMP	1		
13	RE39064	SHIELD	1		

1G25

6076 ENGINE (ENGINE SERIAL NUMBER -499999)

STARTER MAIN FRAME AND COIL
 (12 VOLT) (JOHN DEERE)
 (DENSO NO. 028000-3292)
 (ENGINE SERIAL NO. -136850)
 RG1171 -UN-01JAN94



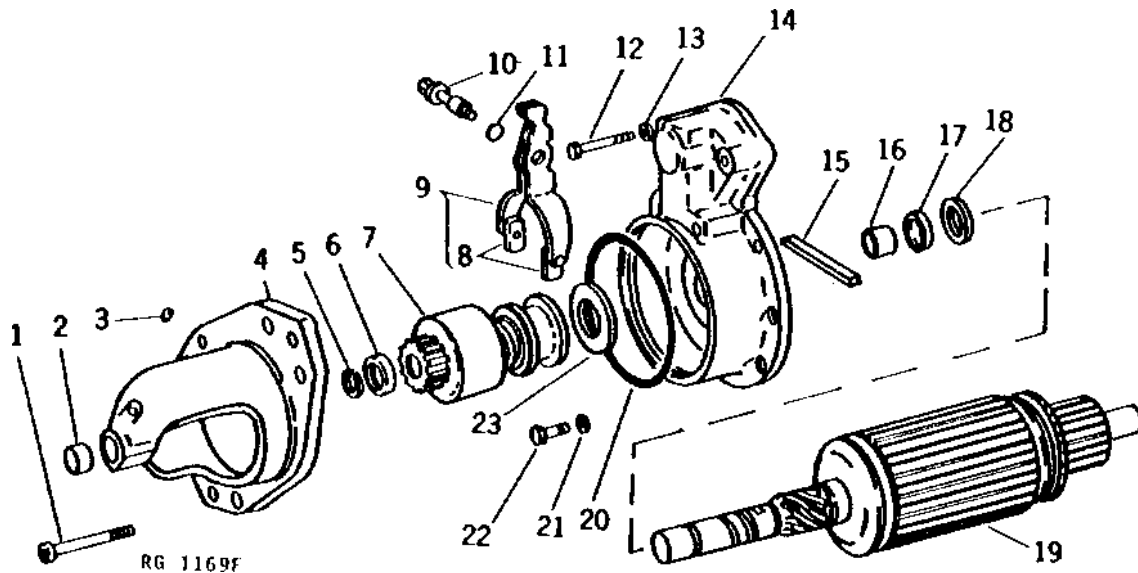
RG 1171

KEY	PART NO.	PART NAME	QTY	ENGINE SERIAL NO.	REMARKS
1	RE13731	FIELD WINDING COIL	1		
2	R50913	O-RING	1		
3	R50916	WASHER	1		
4	12H246	LOCK WASHER	3	0.190"	
5	R50907	NUT	2		
6	24H1283	WASHER	1	7/32" X 1/2" X 0.049"	
7	R50914	WASHER	1		
8	R50915	O-RING	1		
9	R50920	BUSHING	1		
10	R50917	WASHER	1		
11	R50899	LOCK WASHER	1		
12	R50909	NUT	1		
13	R56802	STUD	1		
14	R50918	WASHER	1		
15	R50919	O-RING	1		
16	R50922	O-RING	1		
17	FRAME	1	(SUB RE41875 OR TY6713)	
18	R50921	SCREW	8		
19	R51664	DOWEL PIN	1		
20	R50931	SCREW	1		

1H1

6076 ENGINE (ENGINE SERIAL NUMBER -499999)

STARTER DRIVE HOUSING AND ARMATURE
 (12 VOLT) (JOHN DEERE)
 (DENSO NO. 028000-3292)
 (ENGINE SERIAL NO. -136850)
 RG1169 -UN-01JAN94

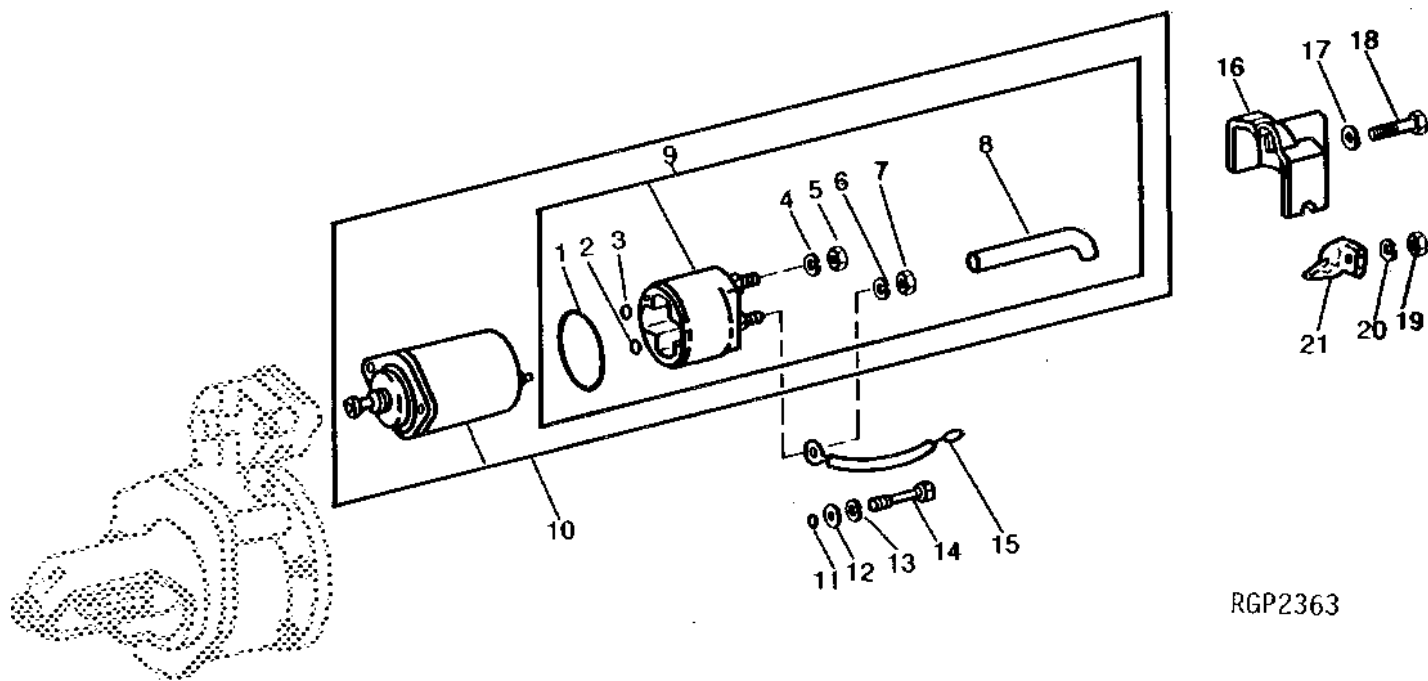


KEY	PART NO.	PART NAME	QTY	ENGINE SERIAL NO.	REMARKS
1	R50900	SCREW	6		
2	R50891	BUSHING	1		
3	R50892	PLUG	2		
4	AR54990	HOUSING	1		
5	R50902	SNAP RING	1		
6	R50903	STOP	1		
7	AR54992	DRIVE	1		
8	R51667	WEAR PLATE	2		
9	AR67827	ARM	1		
10	R50897	SHAFT	1		
11	R52387	O-RING	1		
12	R50893	SCREW	2		
13	12H302	LOCK WASHER	2	1/4"	
14	AR68430	HOUSING	1		
15	R51666	WICK	1		
16	R51665	BUSHING	1		
17	AR55947	SEAL	1		
18	R50906	THRUST WASHER	1		
19	AR66778	ARMATURE	1		
20	R50901	WASHER	1		
21	12H303	LOCK WASHER	2	5/16"	
22	R51661	SCREW	2		
23	R50905	WEAR RING	1		

1H2

6076 ENGINE (ENGINE SERIAL NUMBER -499999)

STARTER SOLENOID SWITCH
 (12 VOLT) (JOHN DEERE)
 (DENSO NO. 028000-3292)
 (ENGINE SERIAL NO. -136850)
 RGP2363 -UN-01JAN94



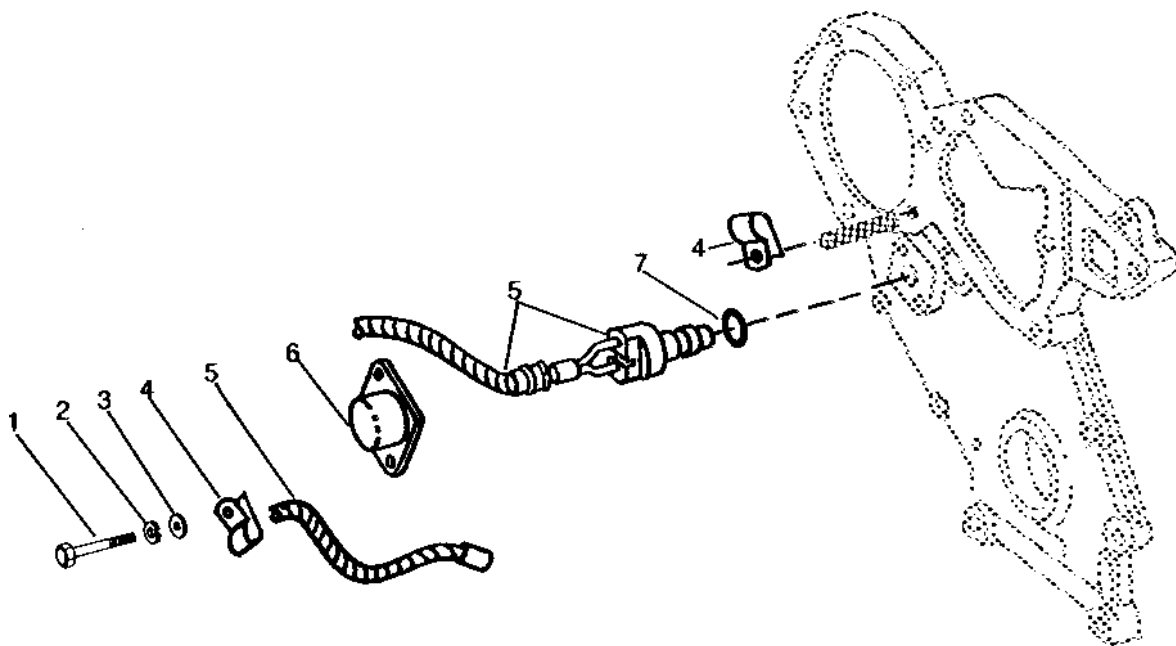
RGP2363

KEY	PART NO.	PART NAME	QTY	ENGINE SERIAL NO.	REMARKS
1	R68224	GASKET	1		
2	R56792	WASHER	1		
3	R56793	SHIM	1		
4	12H303	LOCK WASHER	1	5/16"	
5	R51671	NUT	1		
6	12H246	LOCK WASHER	1	0.190"	
7	14H631	NUT	1	0.190"	
8	R68222	HOSE	1		
9	RE13733	SWITCH	1	(DENSO NO. 028099-3600)	
10	RE13732	SOLENOID	1	(DENSO NO. 028099-3610)	
11	R50894	O-RING	2		
12	24H1305	WASHER	2	13/32" X 13/16" X 0.065"	
13	24H1283	WASHER	2	7/32" X 1/2" X 0.049"	
14	R51669	SCREW	2		
15	RE15058	WIRE	1		
16	R76139	COVER	1	(SUB RE39064)	
17	R51662	WASHER	1		
18	AR55946	SCREW	1		
19	14H732	NUT	1	3/8"	
20	R50899	LOCK WASHER	1		
21	R50910	CONNECTOR	1	(DENSO NO. 028172-5060) (SUB FOR AR90070)	

1H3

6076 ENGINE (ENGINE SERIAL NUMBER -499999)

MAGNETIC PICK-UP
 (ENGINE SERIAL NO. -499999)
 RGP1236 -UN-01JAN94



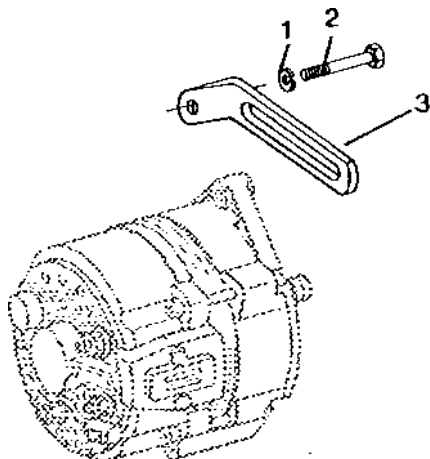
RGP1236

KEY	PART NO.	PART NAME	QTY	ENGINE SERIAL NO.	REMARKS
1	19H1948	CAP SCREW	2		1/4" X 3/4"
2	12H302	LOCK WASHER	2		1/4", (NO LONGER REQUIRED)
3	24H1287	WASHER	2		9/32" X 5/8" X 0.065"
4	T13814	CLAMP	2		
5	RE12180	SENSOR	1		
6	R67230	COVER	1		
7	R79915	O-RING	1		

1H4

6076 ENGINE (ENGINE SERIAL NUMBER -499999)

ALTERNATOR ADJUSTING STRAP
(6076)
(ENGINE SERIAL NO. -499999)
RGP3521 -UN-01JAN94

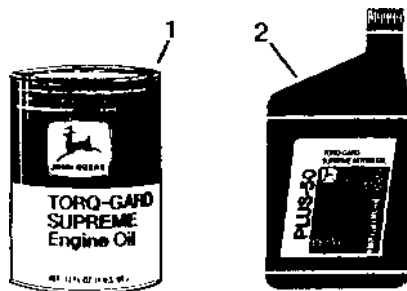


RGP3521

KEY	PART NO.	PART NAME	QTY	ENGINE SERIAL NO.	REMARKS
1	24H1136	WASHER	1		11/32" X 11/16" X 0.065"
2	19H1897	CAP SCREW	1		5/16" X 3-3/4", (HH001 OR HH004)
	19H1904	CAP SCREW	1		5/16" X 3", (HH003)
3	R67362	STRAP	1		

TORQ-GARD SUPREME AND PLUS-50 ENGINE OIL

RGP3291 -UN-01JAN94

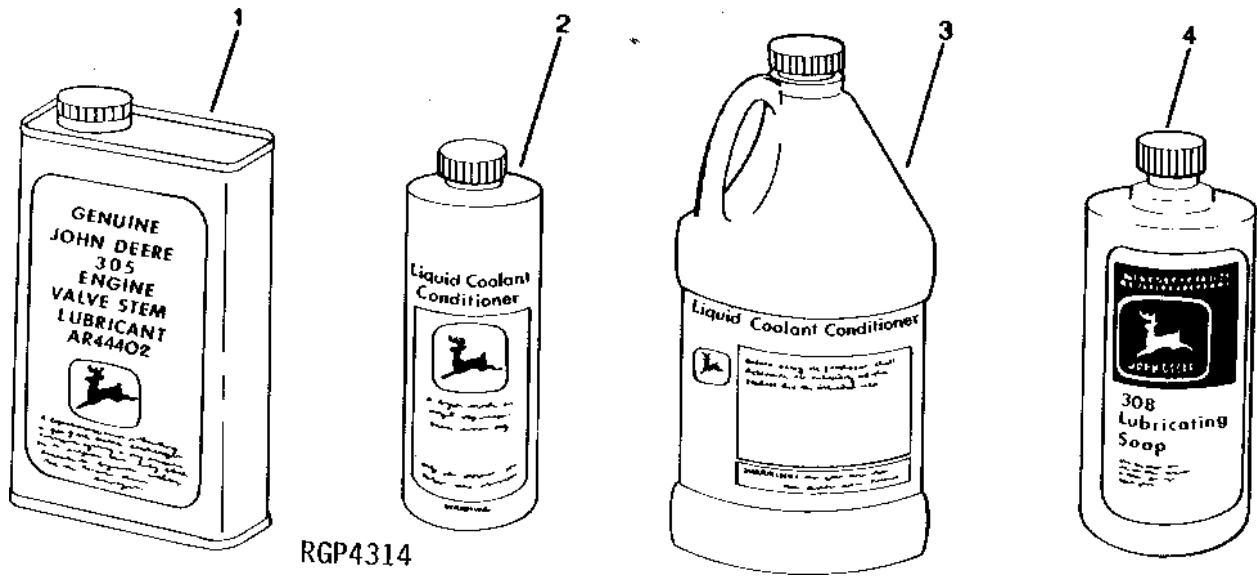


RGP 3291

KEY	PART NO.	PART NAME	QTY	SERIAL NO.	REMARKS
1	TY22064	OIL	1		(SAE 5W/30), 0.9L (1 QUART) (SUB FOR TY6359)
	TY22065	OIL	1		(SAE 5W/30), 19L (5 GALLON) (SUB FOR TY6360)
	TY22066	OIL	1		(SAE 5W/30), 208L (55 GALLON) (SUB FOR TY6361)
	TY6364	OIL	1		(SAE 10W/30), 0.9 L (1 QUART) (BREAKIN)
	TY6389	OIL	1		(SAE 15W/40), 0.9 L (1 QUART) (SUB FOR TY6297)
	TY6390	OIL	1		(SAE 15W/40), 19 L (5 GALLON) (SUB FOR TY6298)
	TY22010	OIL	1		(SAE 15W/40), 114 L (30 GALLON) (SUB FOR TY6300)
	TY6391	OIL	1		(SUB FOR TY6301) (SAE 15W/40), 208 L (55 GALLON)
	TY22067	OIL	1		(SAE 10W), .9L (1 GALLON) (SUB FOR TY22009)
	TY22068	OIL	1		(SAE 10W), 19L (5 GALLON) (SUB FOR TY6312)
	TY22069	OIL	1		(SAE 10W), 208L (55 GALLON) (SUB FOR TY6313)
	TY22070	OIL	1		(SAE 30W), 0.9L (1 GALLON) (SUB FOR AR63218, AR63979 OR TY6392)
	TY22073	OIL	1		(SAE 30W), 19L (5 GALLON) (SUB FOR AR63219 OR TY6393)
	TY6280	OIL	1		(SAE 30W), 114 L (30 GALLON)
TY22074	OIL	1		(SAE 30W), 208L (55 GALLON) (SUB FOR AR63222 OR TY6394)	
2	TY22008	OIL	1		(SAE 15W/40), 3.8 L (1 GALLON)
	TY22010	OIL	1		(SAE 15W/40), 113.6 L (30 GALLON)
	TY22071	OIL	1		(SAE 30W), 3.8 L (1 GALLON) (SUB FOR TY22007)
	TY22011	OIL	1		(SAE 30W), 113.6 L (30 GALLON)
..	TY22041	OIL	1		(SAE 10W/30), 3.8 L (1 GALLON) (FACTORY SPEC BREAKIN)
..	TY22042	OIL	1		(SAE 10W/30), 208 L (55 GALLON) (FACTORY SPEC. BREAKIN)

COOLANT CONDITIONER AND ENGINE PART LUBRICANTS

RGP4314 -UN-01JAN94



RGP4314

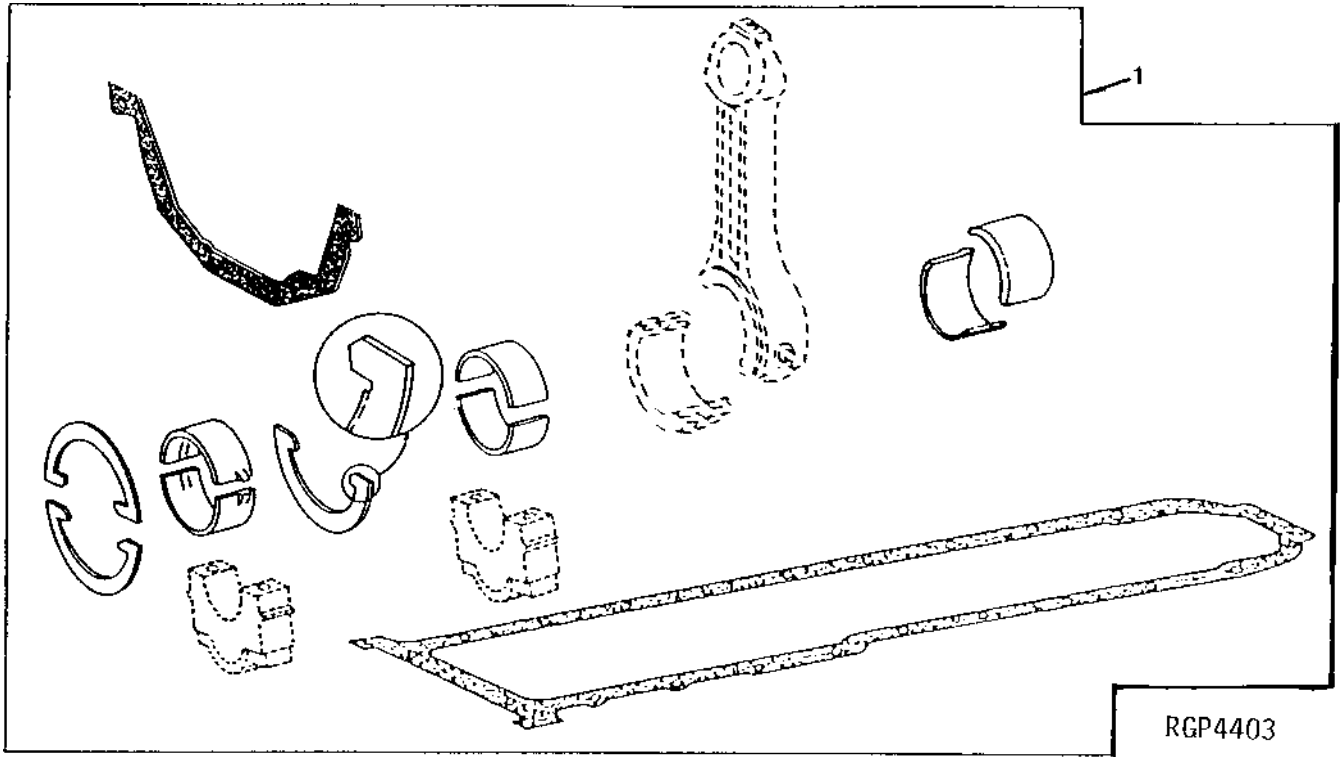
KEY	PART NO.	PART NAME	QTY	SERIAL NO.	REMARKS
1	AR44402	OIL	1	0.9 L (1 QT.)	
2	TY16004	ENGINE COOLANT CONDITIONER	1	0.472 L (16 OZ.) (SUB FOR RE23182)	
3	TY16005	ENGINE COOLANT CONDITIONER	1	3.8 L (1 GAL.) (PHOSPHATE - FREE) (SUB FOR RE35992)	
4	AR54749	LUBRICANT	1	0.9 L (1 QT.)	
	AT66865	LUBRICANT	1	(ELECTRICAL CONNECTIONS) (NOT SHOWN)	
..	AR41785	KIT	1	CONTAINS 0.9 L (1 QT.) (OFF-SEASON STORAGE)	
..	AR21969	KIT	1	(DUST CAP/COVER KIT)	
..	DS0251	KIT	1	(COOLANT SCAN TEST)	
..	IPSKIT1	KIT	1	(OIL SCAN TEST)	

2C10

6076 ENGINE (ENGINE SERIAL NUMBER 50000-)

ENGINE UNDERHAUL KIT (STD BRGS)

(6076)
RGP4403 -UN-14DEC94

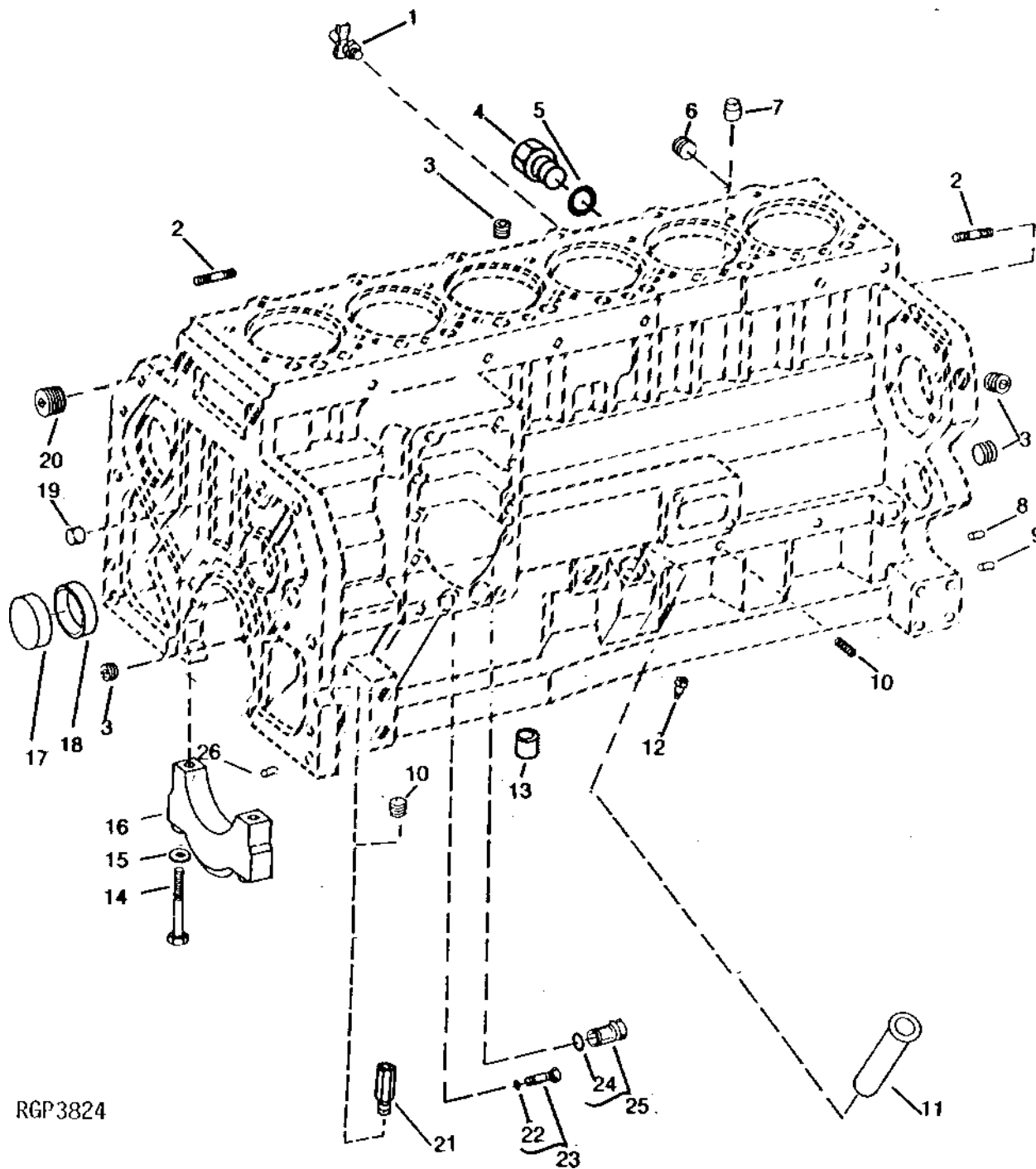


KEY	PART NO.	PART NAME	QTY	ENGINE SERIAL NO.	REMARKS
1	RG23426	KIT	1		(INCLUDES STD BRGS, OIL PAN GASKET, AND SPLIT GASKETS) (SUB FOR RG22789)

2C11

6076 ENGINE (ENGINE SERIAL NUMBER 50000-)

CYLINDER BLOCK FITTINGS
(ENGINE SERIAL NO. 50000-)
RGP3824 -UN-01JAN94



RGP3824

2C12

6076 ENGINE (ENGINE SERIAL NUMBER 500000-)

CYLINDER BLOCK FITTINGS - CONTINUED
(ENGINE SERIAL NO. 500000-)

KEY	PART NO.	PART NAME	QTY	ENGINE SERIAL NO.	REMARKS
1	AT13740	DRAIN VALVE	1		
2	R55396	STUD	5		
3	15H624	PIPE PLUG	4	(A) 1/2"	
	15H624	PIPE PLUG	3	(B) 1/2"	
4	R39741	DRAIN PLUG	1		
5	U13639	O-RING	1		
6	15H690	PIPE PLUG	1	3/4"	
7	R42340	BUSHING	2		
8	R1612R	DOWEL PIN	2		
9	F1743R	DOWEL PIN	2		
10	R104592	PIPE PLUG	6	(A)	
11	R104574	DIPSTICK TUBE	1		
12	R43621	ORIFICE	6		
13	R62930	BUSHING	2	(NOT INSTALLED)	
14	R42365	BOLT	14		
15	R70268	WASHER	14		
16	R57158	BEARING CAP	6	(MAIN)	
	R57159	BEARING CAP	1	(THRUST)	
17	R82007	CAP	1		
18	R87561	BUSHING	4		
19	R61288	DOWEL PIN	1		
20	15H562	PIPE PLUG	1	1"	
21	R53014	FITTING	NA		
22	A4365R	O-RING	1		
23	AR61589	PLUG	1		
24	R27149	O-RING	1		
25	AR61533	PLUG	1		
26	H79910	DOWEL PIN	NA		
..	RE57420	SCREW	2	(TOP FRONT L.H. HOLE)	
..	CYLINDER BLOCK	NA		

(A) HH030, HH032, HH034, HH036,
(B) HH031, HH035

2C14

6076 ENGINE (ENGINE SERIAL NUMBER 500000-)

COMPLETE BLOCK ASSEMBLY - CONTINUED
(ENGINE SERIAL NO. 500000-)

KEY	PART NO.	PART NAME	QTY	ENGINE SERIAL NO.	REMARKS
1	RG25825	COMPLETE BLOCK ASSEMBLY	1		(B) (ALSO ORDER R104574, APPL)
	RG25273	COMPLETE BLOCK ASSEMBLY	1		(A) (ALSO ORDER R104574, APPL)

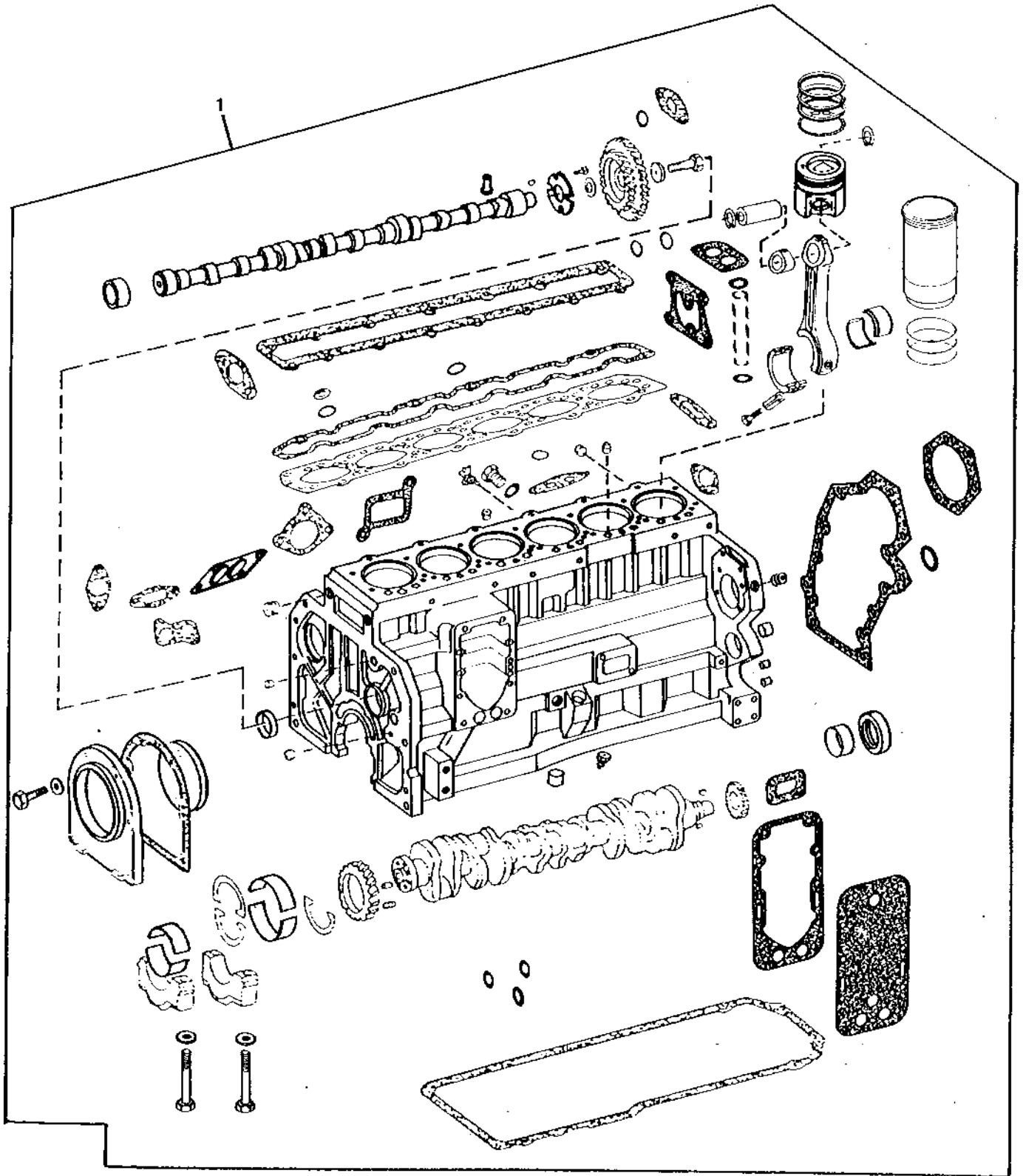
(A) (USE WITH BLOCK MARKED R94561, R119995, OR R122736, 27MM WIDE GEAR TRAIN, AND 95MM INJECTION PUMP BORE) 6076HH030, HH031 (ESN 538146-), HH032, HH034 HH035, OR HH036.

(B) (USE WITH BLOCK MARKED R100406, R119996 OR R122737, 27MM WIDE GEAR TRAIN, AND 85MM INJECTION PUMP BORE) 6076HH031 (ESN 500000-538145)

2C15

6076 ENGINE (ENGINE SERIAL NUMBER 500000-)

ENGINE SHORT BLOCK
(ENGINE SERIAL NO. 500000-)
(WITHOUT HEAD BOLTS)
RGP3581 -UN-01JAN94



RGP3581

2C16

6076 ENGINE (ENGINE SERIAL NUMBER 500000-)

ENGINE SHORT BLOCK - CONTINUED
(ENGINE SERIAL NO. 500000-)
(WITHOUT HEAD BOLTS)

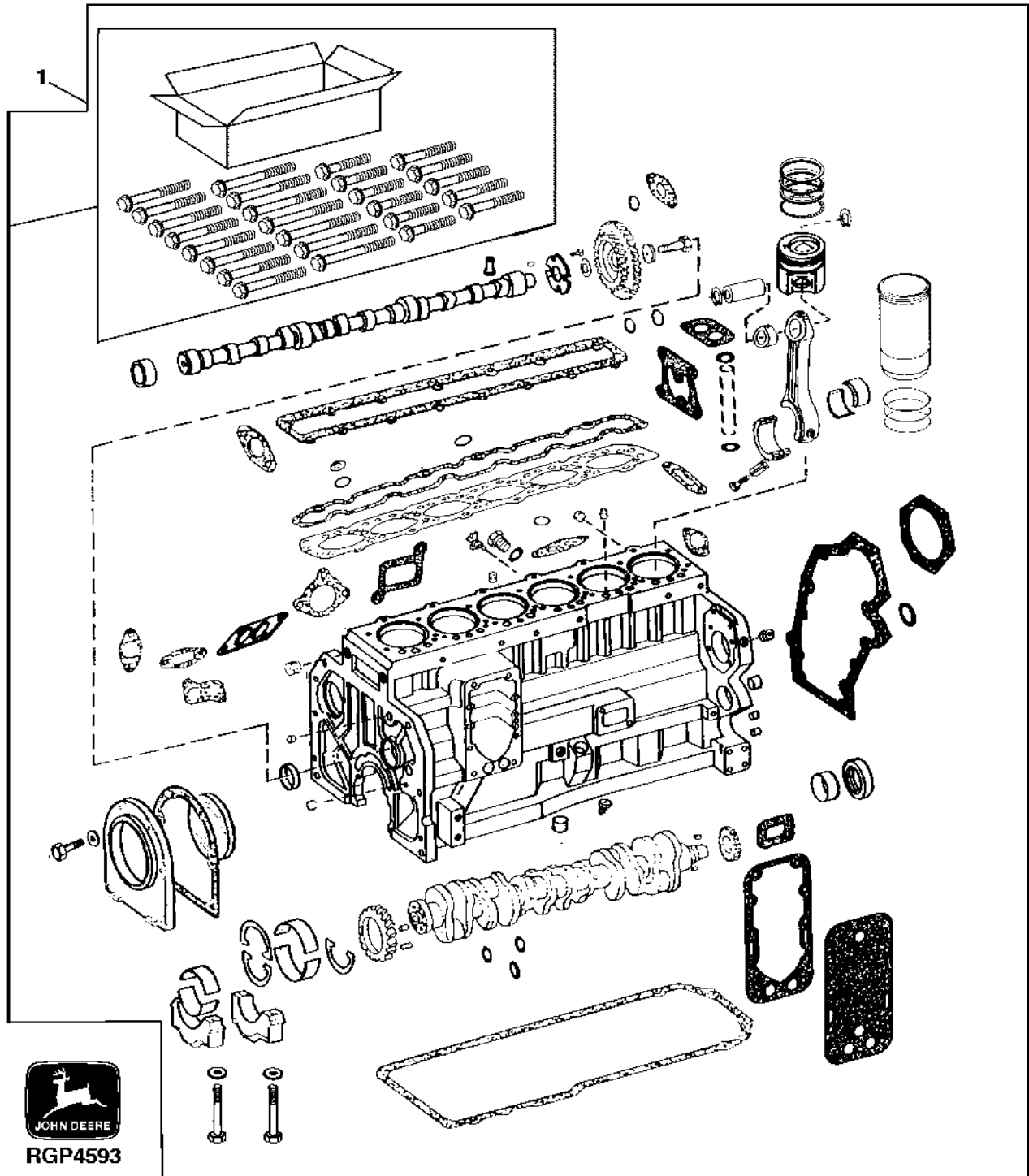
KEY	PART NO.	PART NAME	QTY	ENGINE SERIAL NO.	REMARKS
1	RE42588	SHORT BLOCK ASSEMBLY	1	-509679	(A) (D) (MARKED R94561) (USE WITH RE41821) (SUB RE65052 AND R104574, APPL)
	RE53470	SHORT BLOCK ASSEMBLY	1	509680-XXXXXX	(A) (D) (MARKED R94561) (SUB RE65052 AND R104574, APPL)
	RE55444	SHORT BLOCK ASSEMBLY	1	XXXXXX-520643	(A) (D) (MARKED R119995) (SUB RE65052 AND R104574, APPL)
	RE58463	SHORT BLOCK ASSEMBLY	1	520644-XXXXXX	(A) (D) (MARKED R119995) (SUB RE65052 AND R104574, APPL)
	RE60386	SHORT BLOCK ASSEMBLY	1	XXXXXX-	(A) (D) (MARKED R122736) (SUB RE65052 AND R104574, APPL)
	RE42149	SHORT BLOCK ASSEMBLY	1	-509679	(B) (C) (MARKED R100406) (USE WITH RE41821) (SUB RE65077 AND R104574, APPL)
	RE53458	SHORT BLOCK ASSEMBLY	1	509680-538145	(B) (C) (MARKED R100406) (SUB RE65077 AND R104574, APPL)
	RE55445	SHORT BLOCK ASSEMBLY	1	XXXXXX-520643	(B) (C) (MARKED R119996) (SUB RE65077 AND R104574, APPL)
	RE58465	SHORT BLOCK ASSEMBLY	1	520644-538145	(B) (C) (MARKED R119996) (SUB RE65077 AND R104574, APPL)
	RE60452	SHORT BLOCK ASSEMBLY	1	XXXXXX-538145	(B) (C) (MARKED R122737) (SUB RE65077 AND R104574, APPL)
	RE60386	SHORT BLOCK ASSEMBLY	1	538146-	(B) (D) (MARKED R122736) (SUB RE65052 AND R104574, APPL)

- (A) 6076HH032 (9500 OPT. HP)
- (B) 6076HH031 (9500 STD. HP)
- (C) 85MM INJECTION PUMP BORE
- (D) 95MM INJECTION PUMP BORE

2C17

6076 ENGINE (ENGINE SERIAL NUMBER 50000-)

**ENGINE SHORT BLOCK
(WITH HEAD BOLTS)**
RGP4593 -UN-26OCT95



2C18

6076 ENGINE (ENGINE SERIAL NUMBER 500000-)

ENGINE SHORT BLOCK - CONTINUED (WITH HEAD BOLTS)

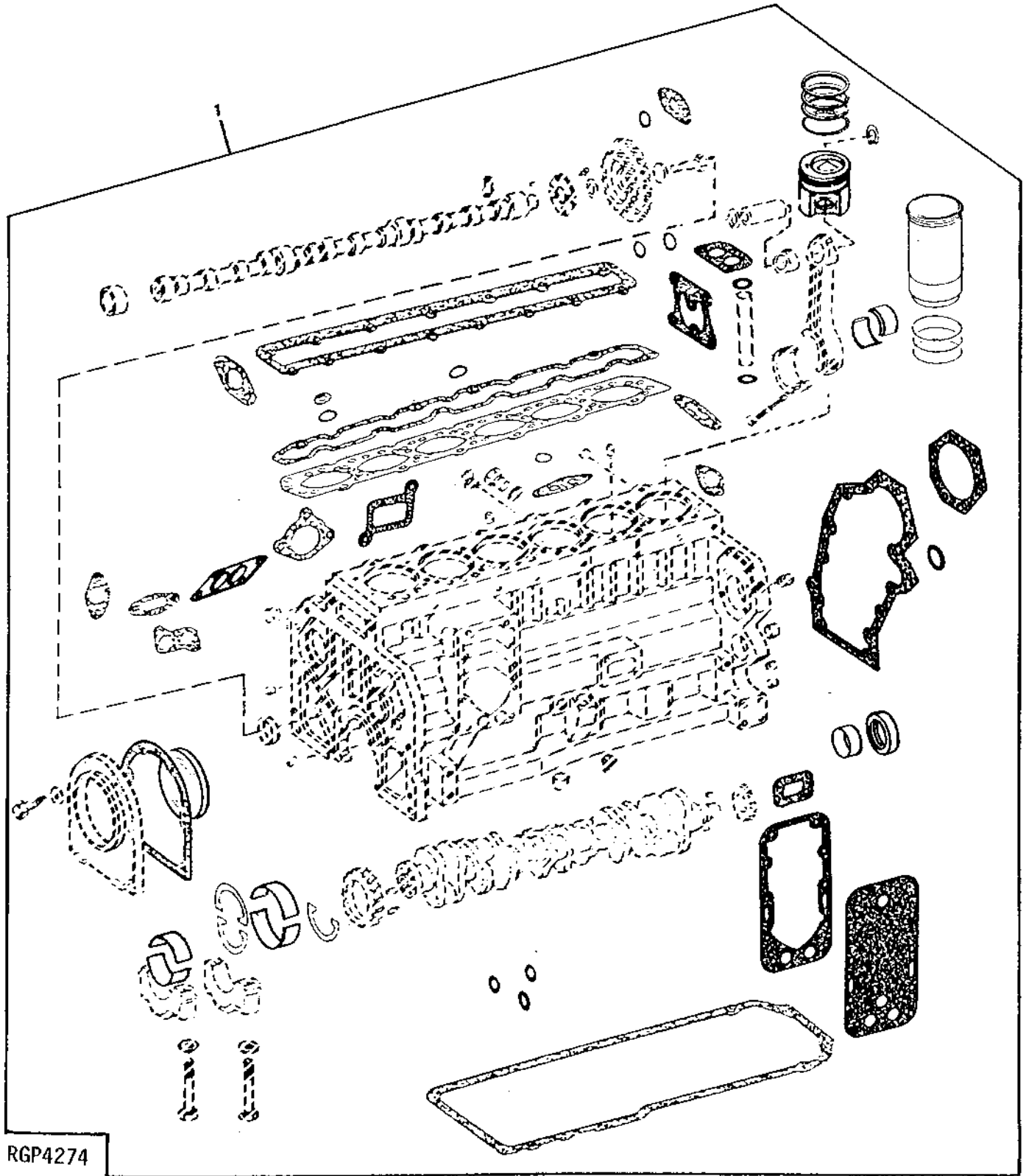
KEY	PART NO.	PART NAME	QTY	ENGINE SERIAL NO.	REMARKS
1	RE65052	SHORT BLOCK ASSEMBLY	1		(A) (C) (MARKED R122736) (ALSO ORDER R104574, APPL) (CONTAINS (26) "SPECIAL" HEAD BOLTS)
	RE65077	SHORT BLOCK ASSEMBLY	1		(B) (D) (MARKED R122737) (ALSO ORDER R104574, APPL) (CONTAINS (26) "SPECIAL" HEAD BOLTS)

- (A) 6076HH032 OR HH036
- (B) 6076HH031 OR HH035
- (C) 95MM INJECTION PUMP BORE
- (C) 85MM INJECTION PUMP BORE

2C19

6076 ENGINE (ENGINE SERIAL NUMBER 500000-)

ENGINE OVERHAUL KIT(S) (STD/US BRGS, OR EXPANDED)
(ENGINE SERIAL NO. 500000-)
RGP4274 -UN-01JAN94



2C20

6076 ENGINE (ENGINE SERIAL NUMBER 500000-)

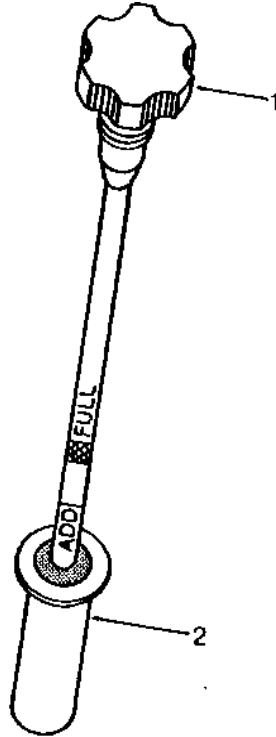
ENGINE OVERHAUL KIT(S) (STD/US BRGS, OR EXPANDED) - CONTINUED
(ENGINE SERIAL NO. 500000-)

KEY	PART NO.	PART NAME	QTY	ENGINE SERIAL NO.	REMARKS
1	RE64212	ENGINE OVERHAUL KIT	1		(CONTAINS (6) RE60294 PISTON LINERS, GASKET KIT, STD BEARINGS, FRONT/REAR SEALS AND SNAP RINGS) (ALSO ORDER R66452 ROD BOLTS) (SUB FOR RG22793 OR RE60296)
	RE66784	ENGINE OVERHAUL KIT	1		(NOT AS SHOWN) (EXPANDED - STD BEARINGS KIT) (CONTAINS RE64212 PARTS, (12) R66452, (6) R74008, (6) R57771 AND (4) R87561) (SUB RG27920)
	RG27920	ENGINE OVERHAUL KIT	1	17DEC7-	
	RE66785	ENGINE OVERHAUL KIT	1		(NOT AS SHOWN) (EXPANDED .010" US BRGS KIT) (CONTAINS (6) RE60294, (6) AR73279, (6) AR74816, AR77750, AR77753, RE64206, AR49025, RE22764, (12) E1343FN, (12) R66452, (6) R74008, (6) R57771 AND (4) R87561) (SUB RG27921)
	RG27921	ENGINE OVERHAUL KIT	1	15DEC7-	

2C21

6076 ENGINE (ENGINE SERIAL NUMBER 500000-)

ENGINE OIL DIPSTICK AND TUBE
(ENGINE SERIAL NO. 500000-)
RGP3592 -UN-01JAN94



RGP3592

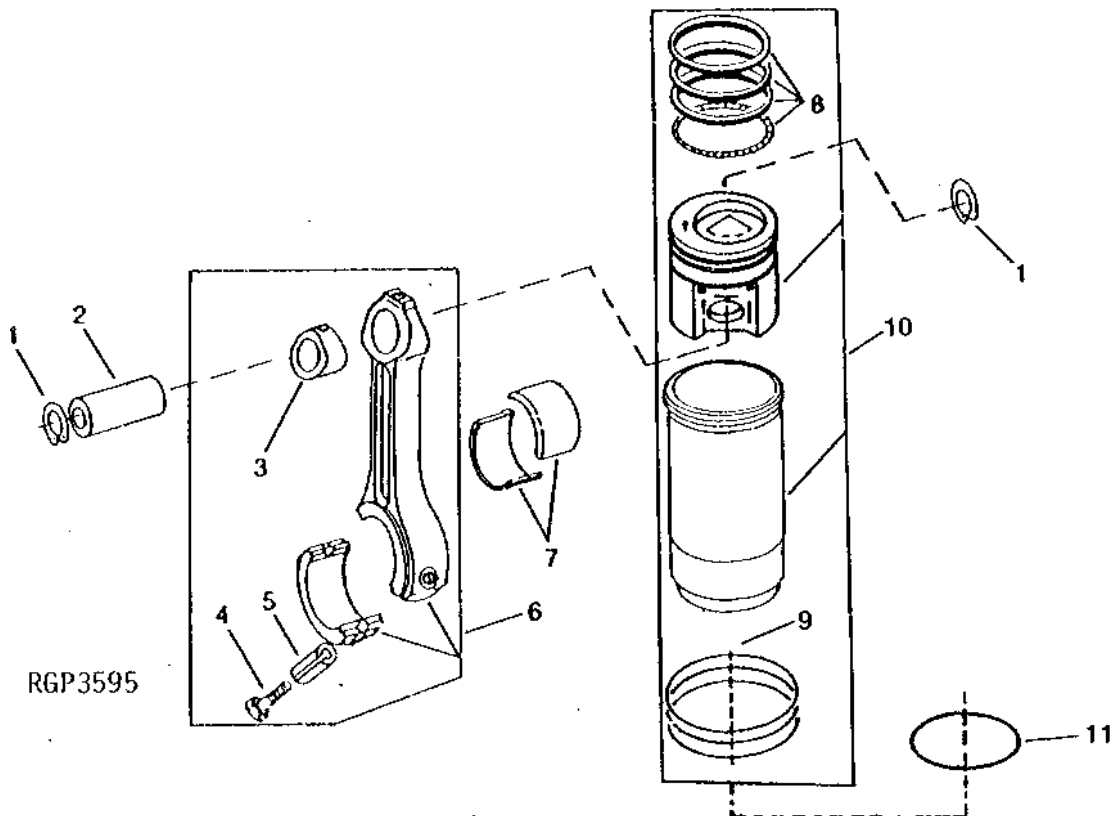
KEY	PART NO.	PART NAME	QTY	ENGINE SERIAL NO.	REMARKS
1	RE41811	DIPSTICK	1		
2	R104574	DIPSTICK TUBE	1		

2C22

6076 ENGINE (ENGINE SERIAL NUMBER 500000-)

PISTON, RINGS, LINERS AND CONNECTING RODS

(6076) (ESN 500000-)
RGP3595 -UN-01JAN94

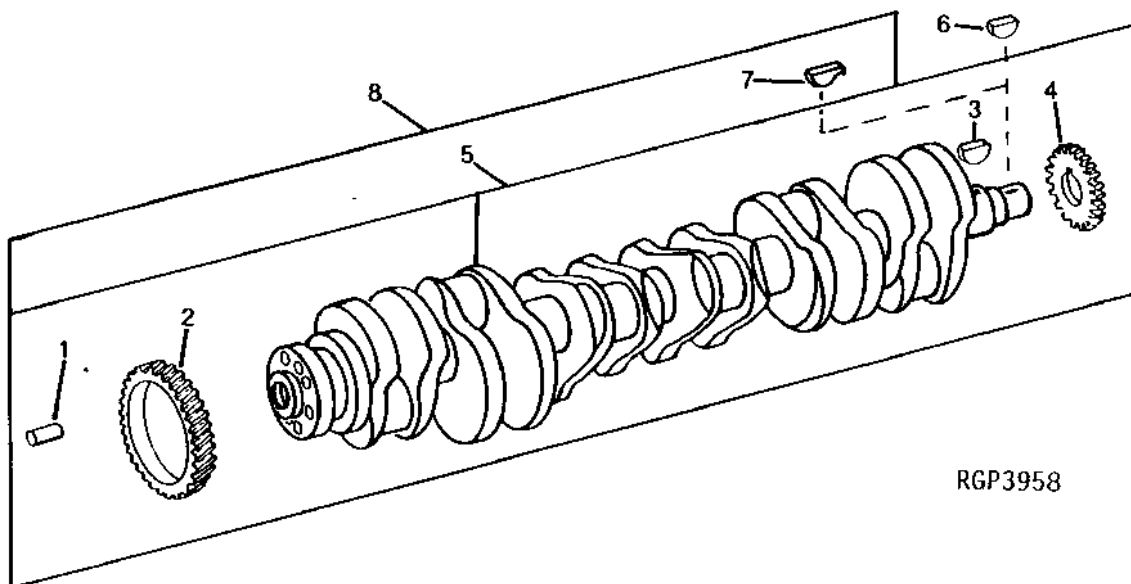


KEY	PART NO.	PART NAME	QTY	ENGINE SERIAL NO.	REMARKS
1	E1343FN	SNAP RING	12		
2	R57771	PISTON PIN	6		
3	R74008	BUSHING	6		
4	R66452	CAP SCREW	12		
5	R53292	SLEEVE	12		
6	AR93341	CONNECTING ROD	6		(MARKED R71074)
7	AR73277	BEARING	AR		STD (PKG (2) R57583)
	AR73278	BEARING	AR		0.05MM (.002") US (PKG (2) R60485)
	AR73279	BEARING	AR		0.25MM (.010") US (PKG (2) R60486)
	AR73280	BEARING	AR		0.51MM (.020") US (PKG (2) R60487)
	AR73281	BEARING	AR		0.76MM (.030") US (PKG (2) R60488)
8	RE48380	PISTON RING	6	-520186	(USE WITH RE50868)
	RE57517	PISTON RING	6	520187-	(USE WITH RE57512)
9	AR98850	KIT	6		
10	RE48739	KIT	6	-520186	(MARKED RE50868) (SUB RE60294, APPL)
	RE57513	KIT	6	520187-XXXXXX	(MARKED RE57512) (SUB RE60294)
	RE60294	KIT	6	XXXXXX-	(MARKED RE57512)
11	R93948	SHIM	2		0.05MM (.002") (MAXIMUM)

2C23

6076 ENGINE (ENGINE SERIAL NUMBER 500000-)

CRANKSHAFT
(ENGINE SERIAL NO. 500000-)
 RGP3958 -UN-01JAN94



KEY	PART NO.	PART NAME	QTY	ENGINE SERIAL NO.	REMARKS
1	R41934	DOWEL PIN	1		
2	R63326	GEAR	1		
3	R120752	KEY	1		1/8" X 0.625"
4	R104587	GEAR	1		
5	RE41821	CRANKSHAFT	1	-509679	(MARKED RE41821) (SUB RG23551)
	RE53199	CRANKSHAFT	1	509680-	(MARKED RE53199) (SUB RG23551)
6	26H85	SHAFT KEY	1	-509679	1/4" X 1", (USE WITH RE41821) (DAMPER)
7	R116311	KEY	1	509680-	(USE WITH RE53199) (DAMPER)
8	RG23551	CRANKSHAFT	1		(MARKED RE53199)

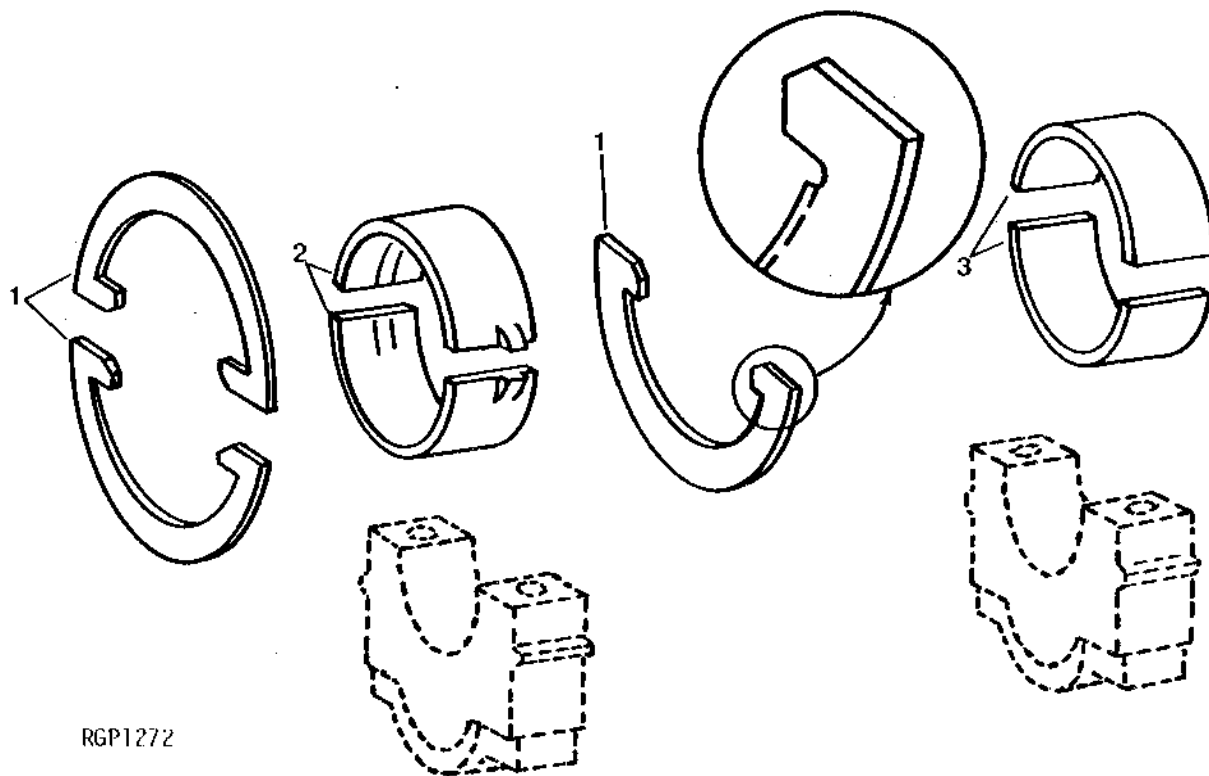
2C24

6076 ENGINE (ENGINE SERIAL NUMBER 500000-)

MAIN AND MAIN THRUST BEARINGS

(6076)

RGP1272 -UN-01JAN94



RGP1272

KEY	PART NO.	PART NAME	QTY	ENGINE SERIAL NO.	REMARKS
1	AR77747	THRUST WASHER	1		STD (PKG (3) R62986)
	AR77753	THRUST WASHER	1		0.18 MM (.007") OS (PKG (2) R63010 AND R62986)
2	AR77748	THRUST BEARING	1		STD (PKG R62987 AND R62988)
	AR77749	THRUST BEARING	1		0.05 MM (.002") US (PKG R63002 AND R63006)
	AR77750	THRUST BEARING	1		0.25 MM (.010") US (PKG R63003 AND R63007)
	AR77751	THRUST BEARING	1		0.51 MM (.020") US (PKG R63004 AND R63008)
	AR77752	THRUST BEARING	1		0.76 MM (.030") US (PKG R63005 AND R63009)
3	AR74814	BEARING	AR		STD (PKG R61289 AND R57584)
	AR74815	BEARING	AR		0.05 MM (.002") US (PKG R61608 AND R60472)
	AR74816	BEARING	AR		0.25 MM (.010") US (PKG R61609 AND R60473)
	AR74817	BEARING	AR		0.51 MM (.020") US (PKG R61610 AND R60474)
	AR74818	BEARING	AR		0.76 MM (.030") US (PKG R61611 AND R60475)

2C25

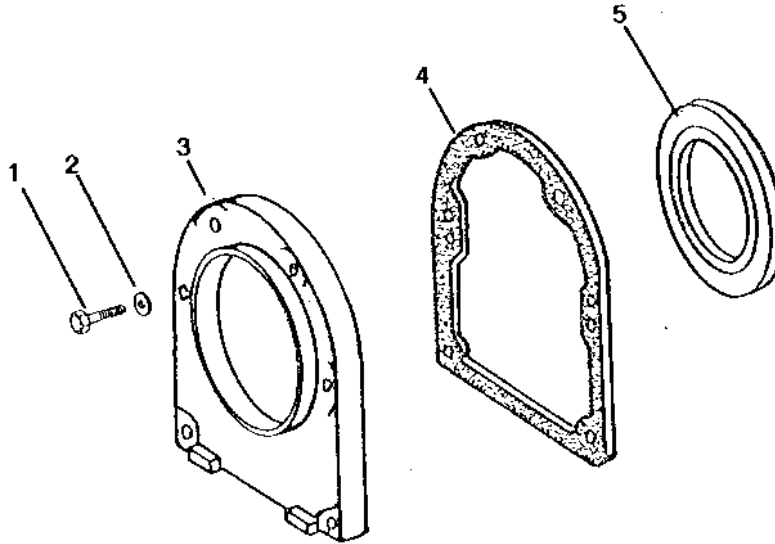
6076 ENGINE (ENGINE SERIAL NUMBER 500000-)

CRANKSHAFT OIL SEAL AND HOUSING

(6076)

RGP2382

-UN-01JAN94



RGP2382

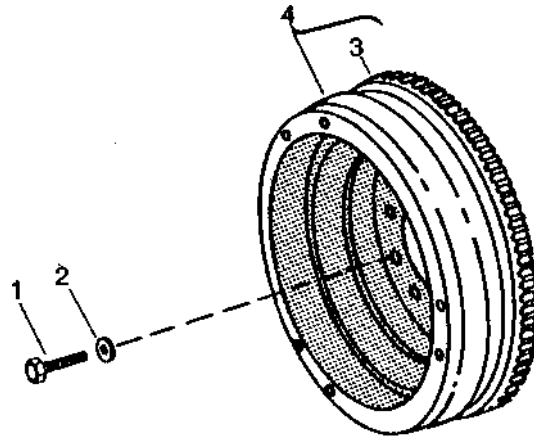
KEY	PART NO.	PART NAME	QTY	ENGINE SERIAL NO.	REMARKS
1	R47074	CAP SCREW	6		
2	T27860	WASHER	6		
3	R125027	HOUSING	1		
4	R26058	GASKET	1		
5	RE22764	SEAL	1		

2D1

6076 ENGINE (ENGINE SERIAL NUMBER 50000-)

FLYWHEEL

RGP198 -UN-01JAN94



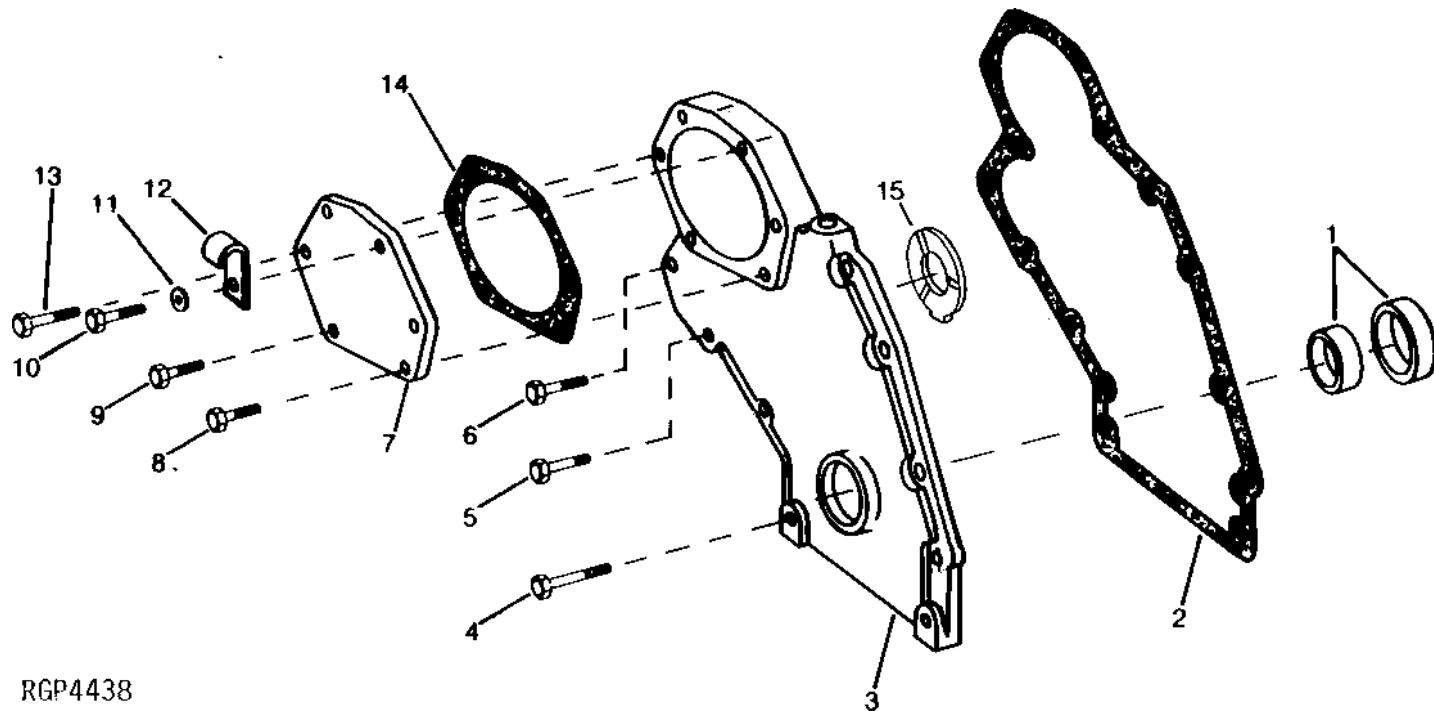
RGP198

KEY	PART NO.	PART NAME	QTY	ENGINE SERIAL NO.	REMARKS
1	R121199	CAP SCREW	6		12.700 X 50.800 MM (1/2" X 2") (SUB FOR R79850 OR R112884)
2	T23891	WASHER	6		(SUB T21242)
3	R28811	RING GEAR	1		
4	AR95426	FLYWHEEL	1	-529838	(MARKED R73271) (SUB RE57733)
	RE57733	FLYWHEEL	1	529839-	(MARKED R125183) (SUB RE502510)
	RE502510	FLYWHEEL	1	529839-	(MARKED R501414)

TIMING GEAR COVER AND FRONT OIL SEAL

(ENGINE SERIAL NO. 500000-)

RGP4438 -UN-28FEB95



RGP4438

KEY	PART NO.	PART NAME	QTY	ENGINE SERIAL NO.	REMARKS
1	AR49025	SEAL	1		
2	R104623	GASKET	1		
3	R105506	COVER	1	-505512	(SUB R116465)
	R116465	COVER	1	505513-	
4	R104859	CAP SCREW	7		
5	R104861	CAP SCREW	1		
6	12H303	LOCK WASHER	1	5/16"	
7	R112269	CAP SCREW	1		
8	R99463	COVER	1		
9	R112268	CAP SCREW	1		
10	R112267	CAP SCREW	1		
	12H303	LOCK WASHER	1	5/16"	
11	R112273	CAP SCREW	3		
	24H1136	WASHER	1		11/32" X 11/16" X 0.065", (NO LONGER REQUIRED)
12	R72853	CLAMP	1		(A) (NO LONGER REQUIRED)
	AH89557	CLIP	1		(B) (NO LONGER REQUIRED)
13	CAP SCREW	NA		
14	R99464	GASKET	1		
15	R104656	THRUST WASHER	1		

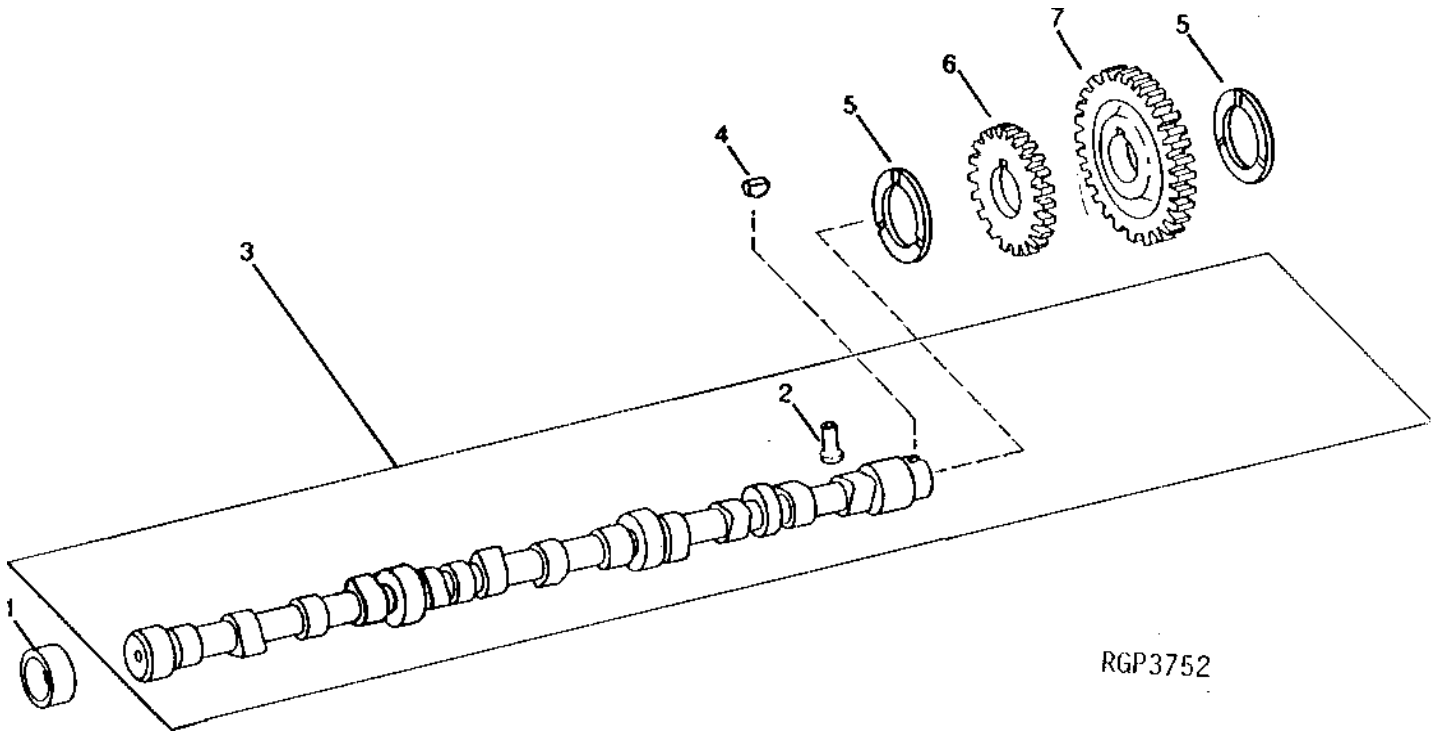
(A) HH030, HH032, HH034, HH036

(B) HH031, HH035

2D3

6076 ENGINE (ENGINE SERIAL NUMBER 500000-)

CAMSHAFT AND GEAR
(ENGINE SERIAL NO. 500000-)
 RGP3752 -UN-01JAN94

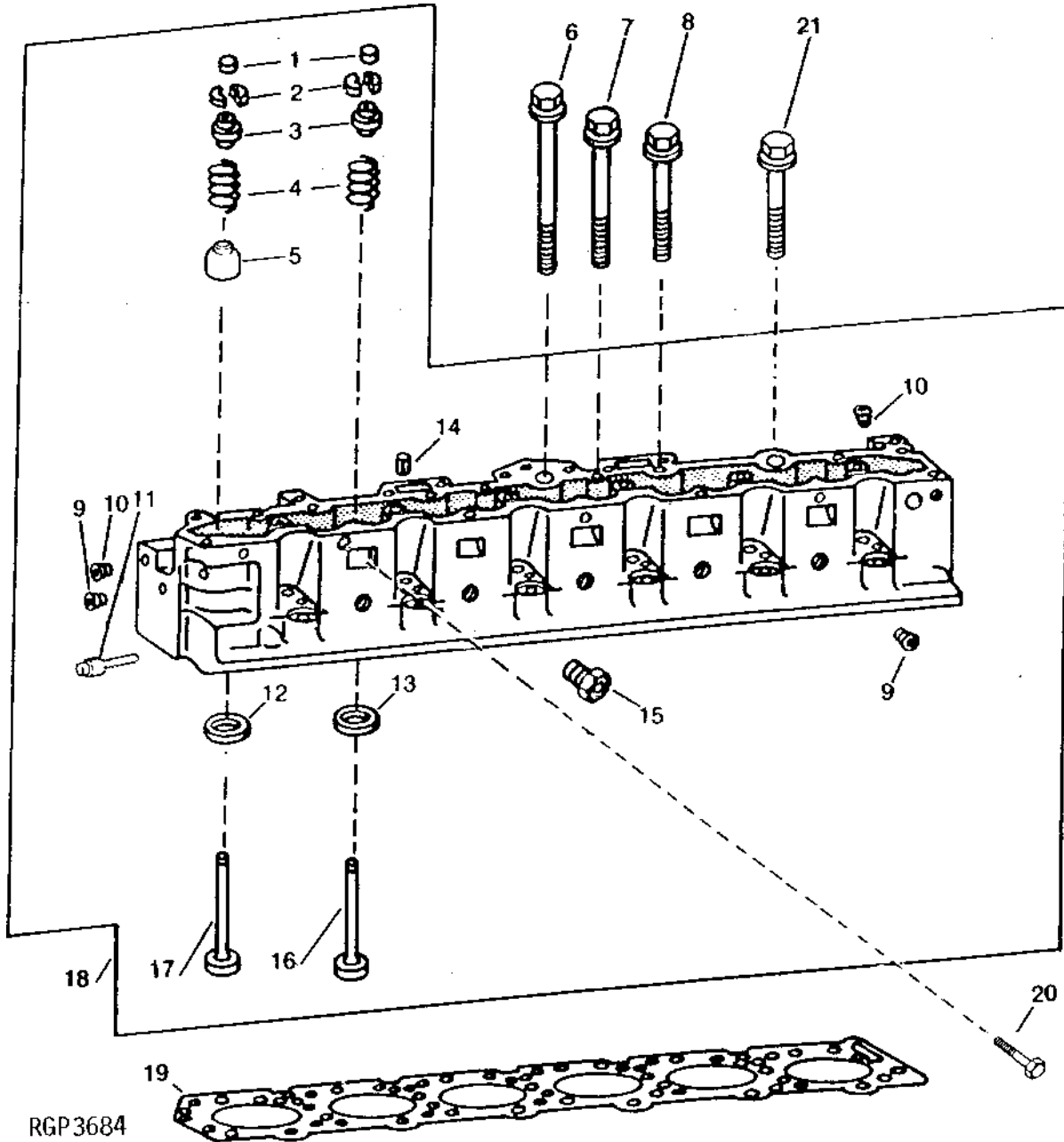


KEY	PART NO.	PART NAME	QTY	ENGINE SERIAL NO.	REMARKS
1	R87561	BUSHING	4		
2	R105379	CAM FOLLOWER	12		(USE WITH R104858) (SUB FOR R91747)
	R110126	CAM FOLLOWER	12		(USE WITH R109717 OR R120872)
3	RE42383	CAMSHAFT	1	-520097	(MARKED R109717 OR R104858) (SUB RE57054)
	RE57054	CAMSHAFT	1	520098-	(MARKED R120872)
4	26H91	SHAFT KEY	1		3/16" X 1-1/4"
5	R104656	THRUST WASHER	2		
6	R104589	GEAR	1		
7	R112053	GEAR	1		

2D4

6076 ENGINE (ENGINE SERIAL NUMBER 500000-)

CYLINDER HEAD AND VALVES
(ENGINE SERIAL NO. 500000-)
RGP3684 -UN-01JAN94



2D5

6076 ENGINE (ENGINE SERIAL NUMBER 500000-)

CYLINDER HEAD AND VALVES - CONTINUED
(ENGINE SERIAL NO. 500000-)

KEY	PART NO.	PART NAME	QTY	ENGINE SERIAL NO.	REMARKS
1	T20129	CAP	12		
2	T20077	RETAINER	24		
3	RE11410	ROTATOR	12		
4	R91822	SPRING	12		
5	R102882	SHIELD	6		(EXHAUST VALVES ONLY)
6	R110289	CAP SCREW	7		(A)
	R121491	CAP SCREW	7		(B) (MARKED "SPECIAL")
7	R110288	CAP SCREW	8		(A)
	R121490	CAP SCREW	8		(B) (MARKED "SPECIAL")
8	R88043	SCREW	6		(A) 14.288 X 134.100 MM (0.563" X 5.280")
	R121320	CAP SCREW	6		(B) (MARKED "SPECIAL")
9	15H690	PIPE PLUG	10		3/4"
10	15H584	PIPE PLUG	2		1/2"
11	AT107509	PLUG	1		
12	R84976	VALVE SEAT INSERT	6		EXHAUST
	R93350	VALVE SEAT INSERT	AR		0.25MM (.010") OS
13	R84977	VALVE SEAT INSERT	6		INTAKE
	R93349	VALVE SEAT INSERT	AR		0.25MM (.010") OS
14	34H387	SPRING PIN	1		3/16" X 3/4"
15	R76491	PIPE PLUG	1		
16	R84618	INTAKE VALVE	6		STD
	R93308	INTAKE VALVE	AR		0.08MM (.003") OS
	R93312	INTAKE VALVE	AR		0.38MM (.015") OS
	R93314	INTAKE VALVE	AR		0.76MM (.030") OS
17	R84619	EXHAUST VALVE	6		STD
	R93311	EXHAUST VALVE	AR		0.08MM (.003") OS
	R93313	EXHAUST VALVE	AR		0.38MM (.015") OS
	R93315	EXHAUST VALVE	AR		0.76MM (.030") OS
18	RE42741	CYLINDER HEAD	1		(MARKED R102932) (SUB RE58516)
	RE58516	CYLINDER HEAD	1		(MARKED R122112 OR R122491)
19	RE47336	ENGINE CYLINDER HEAD GASKET	1		
20	19H2367	CAP SCREW	1		5/8" X 3/4"
21	R110286	CAP SCREW	5		(A)
	R121489	CAP SCREW	5		(B) (MARKED "SPECIAL")
..	RG24026	KIT	1		(B) (C) (CONTAINS (26) "SPECIAL" HEAD BOLTS)

- (A) USE WITH BLOCKS MARKED BELOW R122736
- (B) USE WITH BLOCKS MARKED R122736 AND ABOVE
- (C) ALSO CONTAINED IN NEW SHORT BLOCK ASSEMBLIES

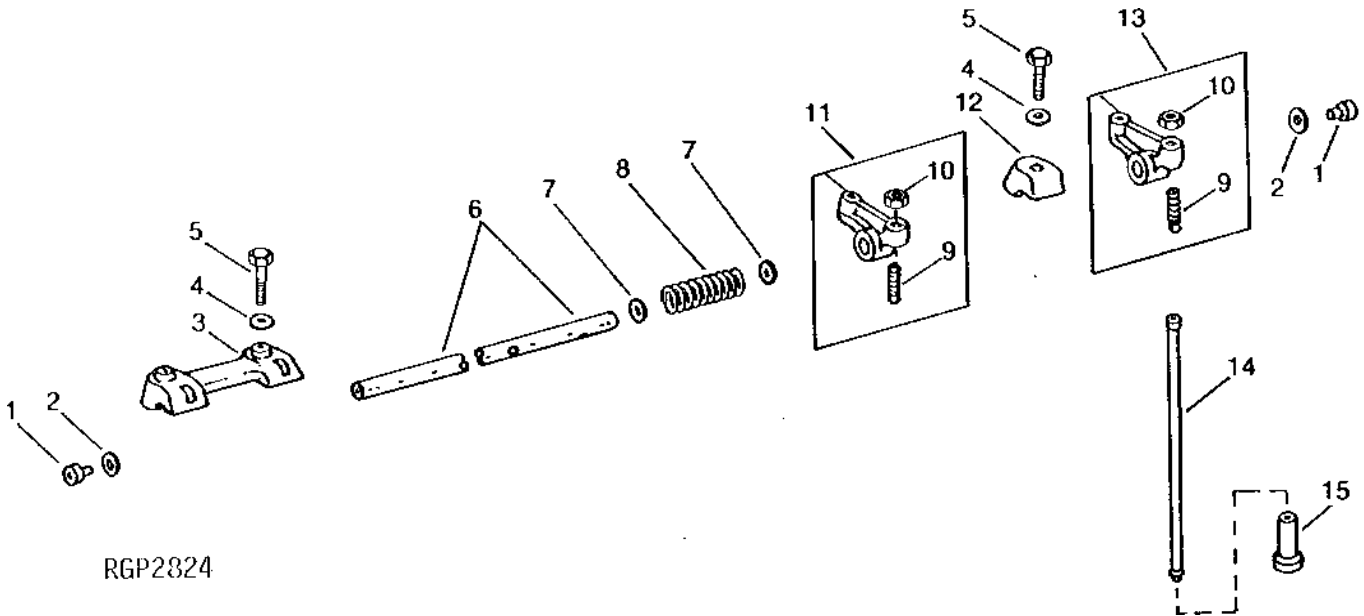
2D6

6076 ENGINE (ENGINE SERIAL NUMBER 500000-)

ROCKER ARMS, SHAFT AND PUSH RODS

(ENGINE SERIAL NO. 500000-)

RGP2824 -UN-01JAN94



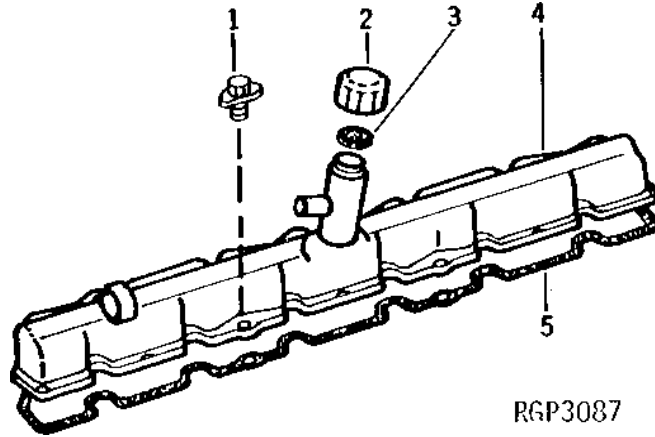
KEY	PART NO.	PART NAME	QTY	ENGINE SERIAL NO.	REMARKS
1	R54565	PLUG	2		
2	R26081	WASHER	2		
3	R65553	CLAMP	2		(SUB R136083)
	R136083	CLAMP	2		
4	R26559	WASHER	6		
5	19H1740	CAP SCREW	6	7/16" X 1-3/4"	
6	R70826	ROCKER ARM SHAFT	1		
7	R71208	WASHER	10		
8	R26079	SPRING	5		
9	R27443	SET SCREW	12		
10	14H846	NUT	12	3/8"	
11	RE24045	ROCKER ARM	6	(A) (1E, 2I, 3E, 4I, 5E, 6I) (RH)	
12	R26748	CLAMP	2		
13	RE24046	ROCKER ARM	6	(A) (1I, 2E, 3I, 4E, 5I, 6E) (LH)	
14	R85027	PUSH ROD	12		
15	R110126	CAM FOLLOWER	12		(USE WITH R109717 OR R120872)
	R105379	CAM FOLLOWER	12		(USE WITH R104858)

(A) E (EXHAUST VALVE) - I (INTAKE VALVE)

2D7

6076 ENGINE (ENGINE SERIAL NUMBER 50000-)

ROCKER ARM COVER
RGP3087 -UN-01JAN94

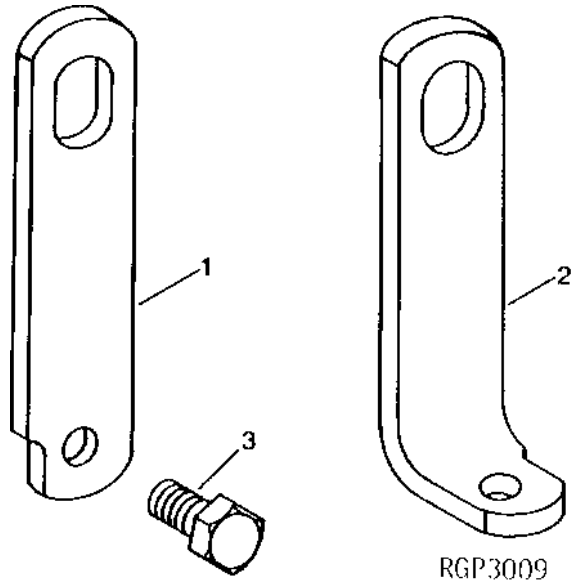


KEY	PART NO.	PART NAME	QTY	ENGINE SERIAL NO.	REMARKS
1	AR100124	SCREW, WITH WASHER	8		
2	T20294	CAP	1		
3	T20328	GASKET	1		
4	AR93173	COVER	1		
5	R49866	GASKET	1		
..	AR31790	ADHESIVE	1		

2D8

6076 ENGINE (ENGINE SERIAL NUMBER 500000-)

LIFT STRAPS
RGP3009 -UN-01JAN94

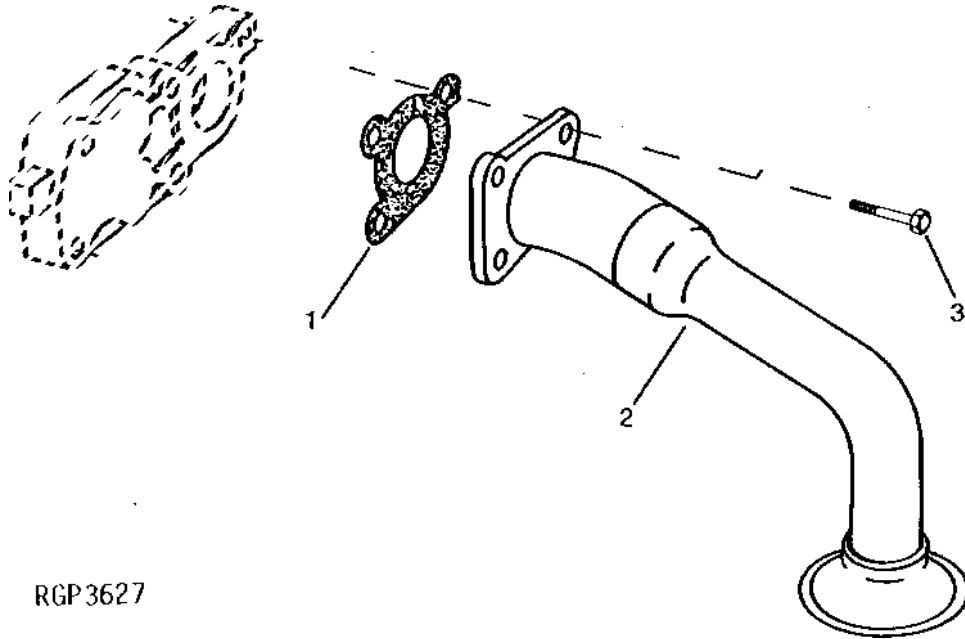


KEY	PART NO.	PART NAME	QTY	ENGINE SERIAL NO.	REMARKS
1	R61497	STRAP	1	(FRONT)	
2	R86571	ANGLE	1	(REAR)	
3	19H1756	CAP SCREW	2	5/8" X 1-1/2"	

2D9

6076 ENGINE (ENGINE SERIAL NUMBER 500000-)

ENGINE OIL PUMP INTAKE
(ENGINE SERIAL NO. 500000-)
RGP3627 -UN-01JAN94

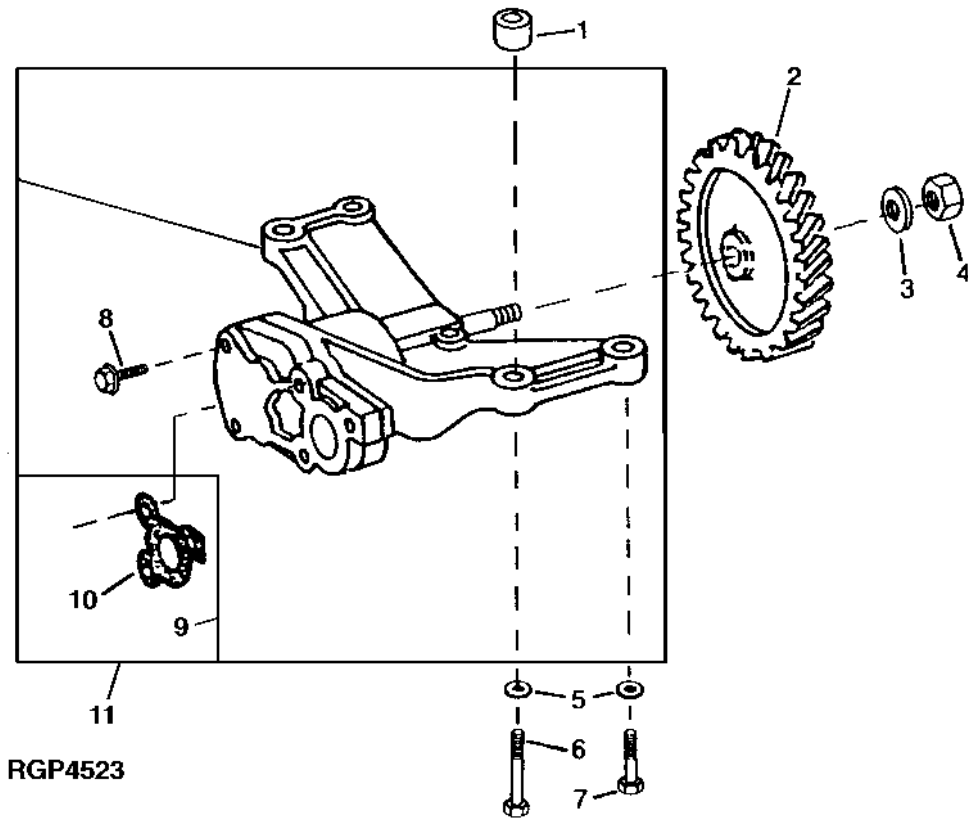


KEY	PART NO.	PART NAME	QTY	ENGINE SERIAL NO.	REMARKS
1	R100569	GASKET	1		
2	RE38828	OIL PUMP INTAKE	1		
3	R104628	CAP SCREW	3		

2D10

6076 ENGINE (ENGINE SERIAL NUMBER 50000-)

OIL PUMP
(ESN 50000-)
RGP4523 -UN-10AUG95



2D11

6076 ENGINE (ENGINE SERIAL NUMBER 500000-)

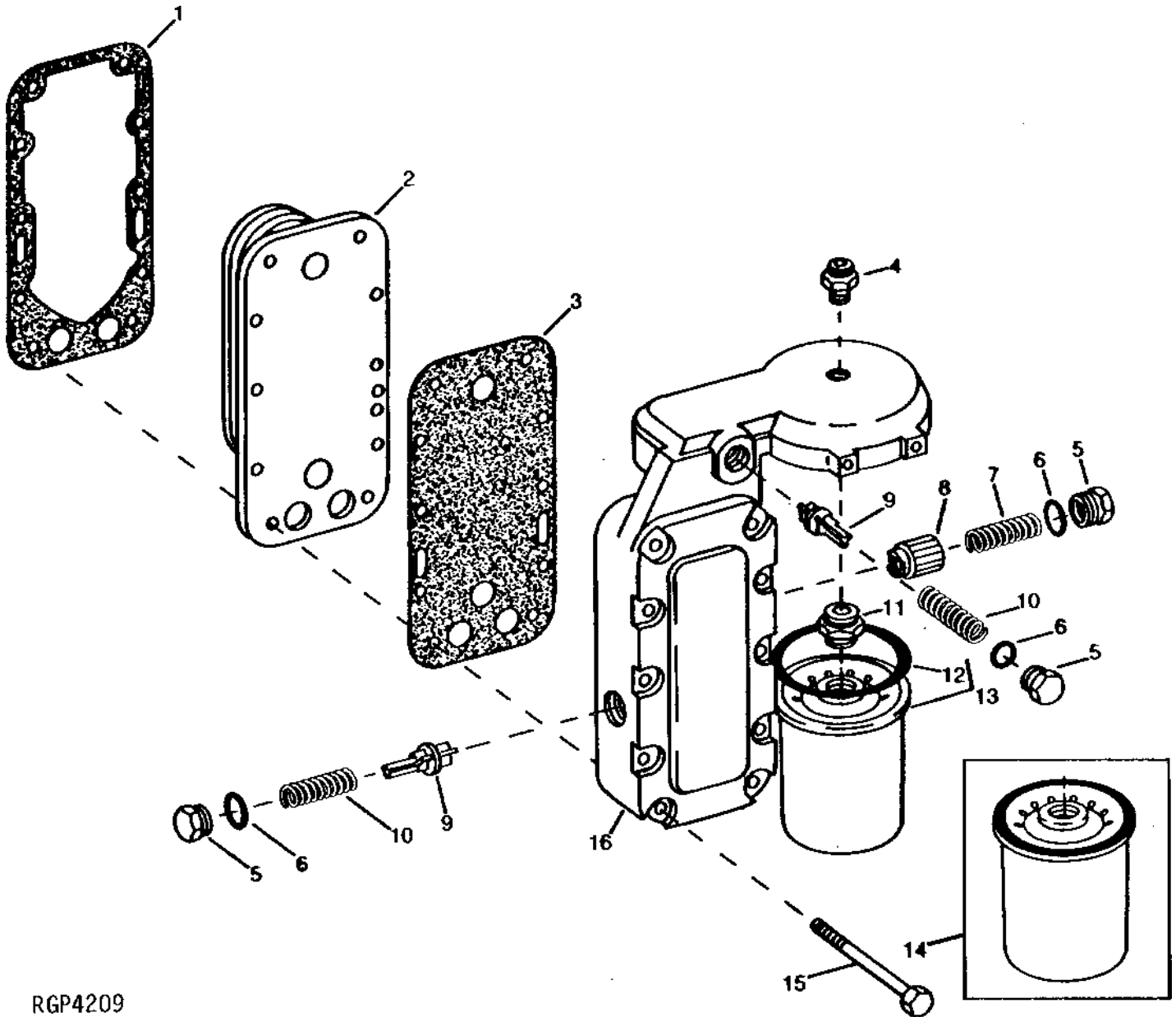
OIL PUMP - CONTINUED
(ESN 500000-)

KEY	PART NO.	PART NAME	QTY	ENGINE SERIAL NO.	REMARKS
1	R62930	BUSHING	2		
2	R62938	GEAR	1		
3	T21242	WASHER	1		
4	14H826	NUT	1		1/2", (SUB FOR R79187)
5	R57696	WASHER	4		
6	19H2549	CAP SCREW	2		3/8" X 1-7/8"
7	19H3219	CAP SCREW	2		3/8" X 1-3/8"
8	R104628	CAP SCREW	5		
9	RE62723	OIL PUMP	1		(SUB FOR RE39889 OR RE52277, APPL) (SUB RE63115)
10	R100569	GASKET	1		
11	RE63115	OIL PUMP	1		(MARKED R124746)

2D12

6076 ENGINE (ENGINE SERIAL NUMBER 500000-)

ENGINE OIL COOLER, FILTER HOUSING AND FILTER
(ENGINE SERIAL NO. 500000-)
RGP4209 -UN-01JAN94



RGP4209

2D13

6076 ENGINE (ENGINE SERIAL NUMBER 500000-)

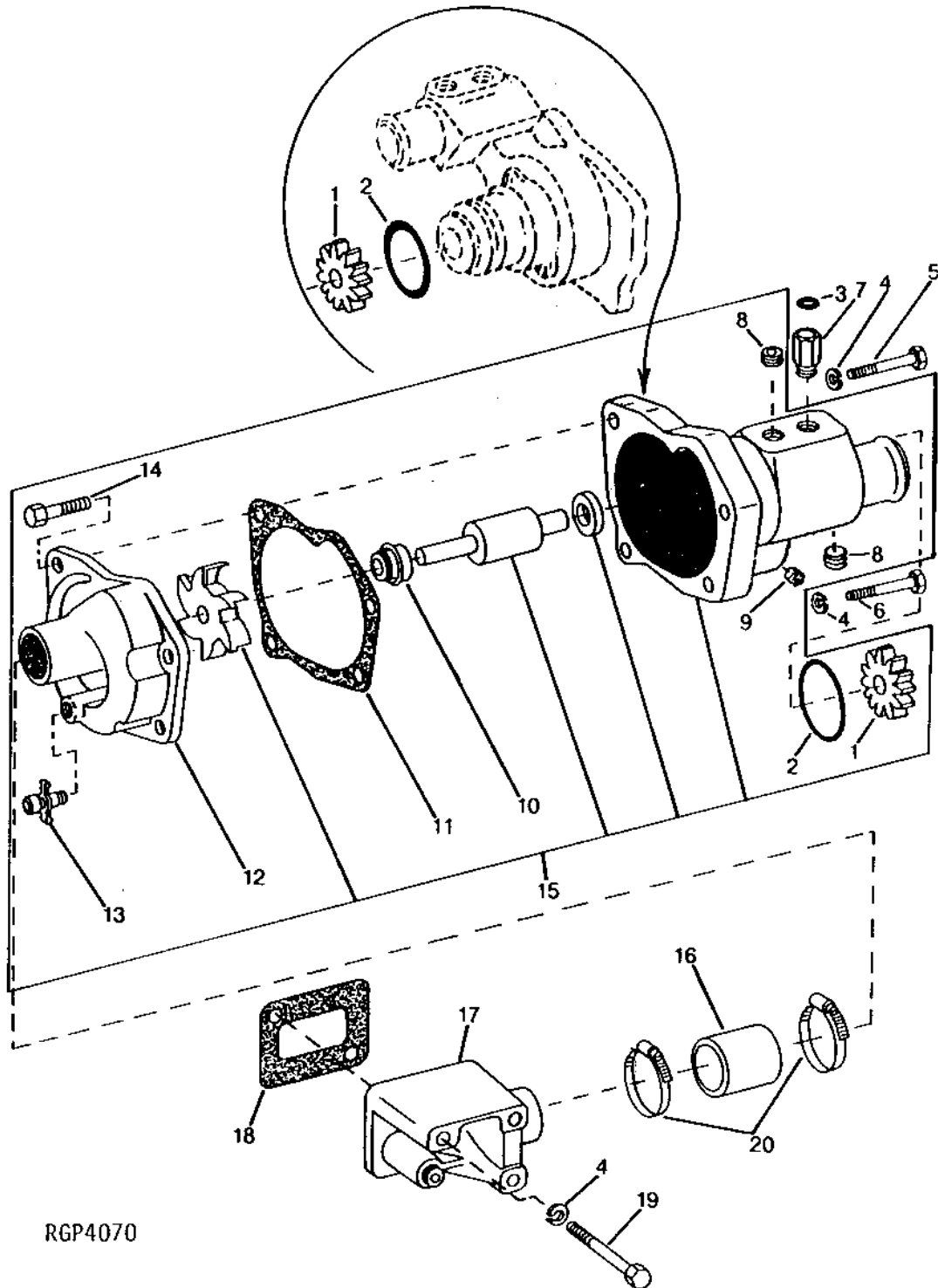
ENGINE OIL COOLER, FILTER HOUSING AND FILTER - CONTINUED
(ENGINE SERIAL NO. 500000-)

KEY	PART NO.	PART NAME	QTY	ENGINE SERIAL NO.	REMARKS
1	R94618	GASKET	1	-547515	(SUB R128557)
	R128557	GASKET	1	547516-	(SUB FOR R96418)
2	RE36367	OIL COOLER	1		
3	R94619	GASKET	1	-547515	(SUB R128558)
	R128558	GASKET	1	547516-	(SUB FOR R94619)
4	A4925R	FITTING	1		
5	R134727	PLUG	3		(SUB FOR R100499)
6	U17409	O-RING	3		
7	R102844	SPRING	1		
8	R94615	RELIEF VALVE	1		(SUB R124186)
	R124186	RELIEF VALVE	1		
9	R108867	VALVE	2		(SUB R500055)
	R500055	VALVE	2		
10	R98064	SPRING	2		
11	R104621	ADAPTER	1		
12	R43660	PACKING	1		(USE WITH RE57394)
13	RE57394	OIL FILTER	1		(MARKED RE57394)
14	RE46380	OIL FILTER	1		(MARKED RE46380) (SUB RE57394)
15	R104862	CAP SCREW	10		
16	RE39890	HOUSING	1		

2D14

6076 ENGINE (ENGINE SERIAL NUMBER 50000-)

WATER PUMP
(ENGINE SERIAL NO. 50000-)
RGP4070 -UN-01JAN94



RGP4070

2D15

6076 ENGINE (ENGINE SERIAL NUMBER 500000-)

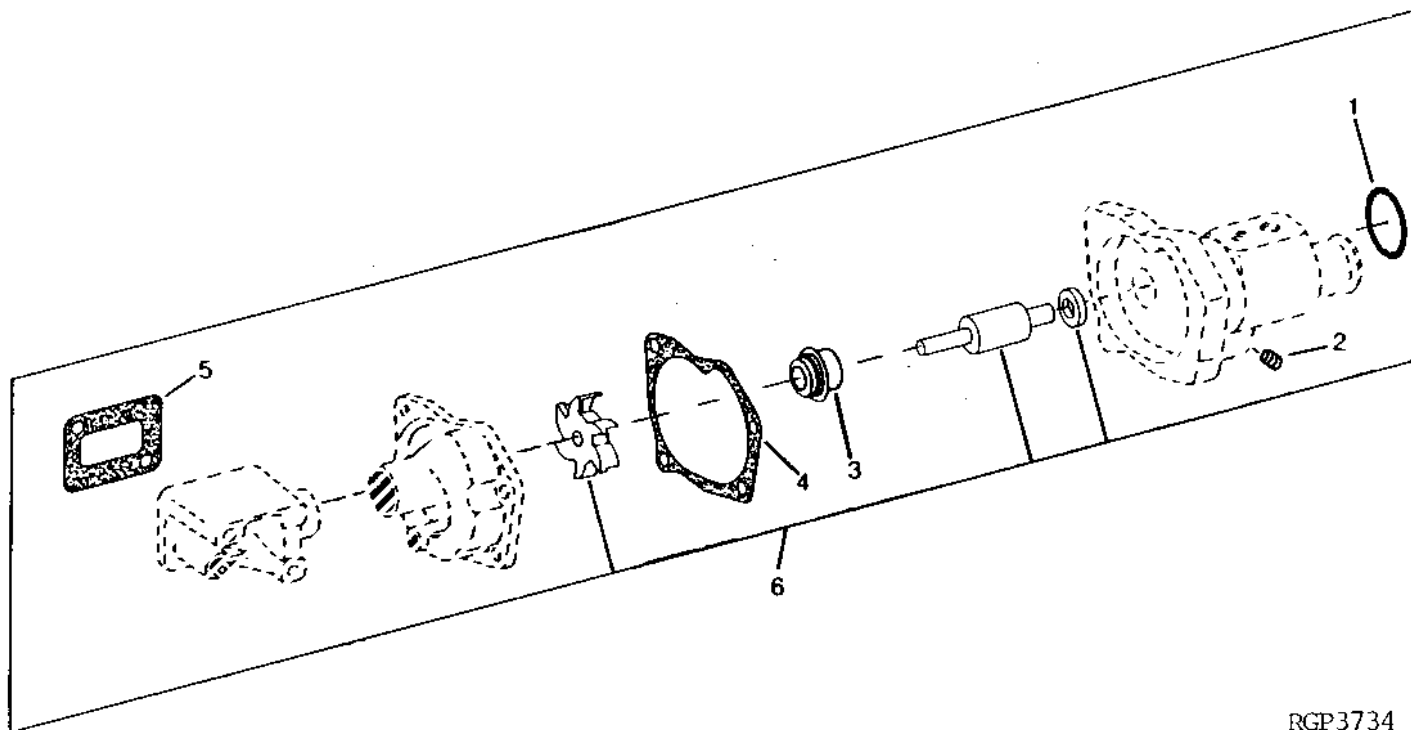
**WATER PUMP - CONTINUED
(ENGINE SERIAL NO. 500000-)**

KEY	PART NO.	PART NAME	QTY	ENGINE SERIAL NO.	REMARKS
1	R104591	GEAR	1		
2	R101042	O-RING	1		
3	R72328	O-RING	1		
4	12H303	LOCK WASHER	4		(NO LONGER REQUIRED WITH R105732, R112267 OR R112269)
5	R112267	CAP SCREW	1		
6	R104861	CAP SCREW	1		
7	R41285	ADAPTER	1		
8	15H624	PIPE PLUG	2	1/2"	
9	R100369	FILTER	2		
10	RE69839	SEAL	1		(SUB FOR RE45337)
11	R100367	GASKET	1		
12	R100364	COVER	1		
13	AT13740	DRAIN VALVE	1		
14	R112268	CAP SCREW	4		(SUB FOR R101043)
15	RE39121	WATER PUMP	1		(MARKED RE39121 - WITH RAISED X) (SUB RE68230)
	RE68230	WATER PUMP	1		(MARKED RE68230 - WITH RAISED X)
16	R96622	HOSE	1		
17	R96606	COVER	1		
18	R96616	GASKET	1		
19	R105732	CAP SCREW	2		
20	RE67208	CLAMP	2		(SUB FOR AR40418 OR RE43166, APPL)

2D16

6076 ENGINE (ENGINE SERIAL NUMBER 500000-)

WATER PUMP REPAIR KIT
(ENGINE SERIAL NO. 500000-)
 RGP3734 -UN-01JAN94



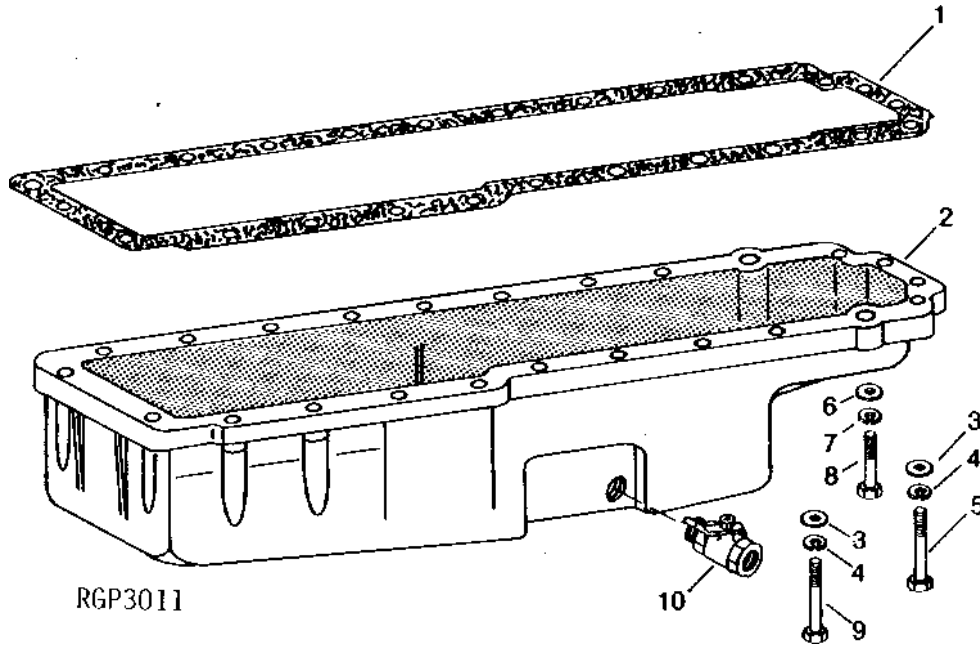
RGP3734

KEY	PART NO.	PART NAME	QTY	ENGINE SERIAL NO.	REMARKS
1	R101042	O-RING	1		
2	R100369	FILTER	2		(WEEP HOLE)
3	RE69839	SEAL	1		(SUB FOR RE45337)
4	R100367	GASKET	1		
5	R96616	GASKET	1		
6	RE68316	KIT	1		(USE WITH RE39121 - WITH RAISED X) (SUB FOR RE42107 OR RE58350)

2D17

6076 ENGINE (ENGINE SERIAL NUMBER 500000-)

OIL PAN
RGP3011 -UN-01JAN94

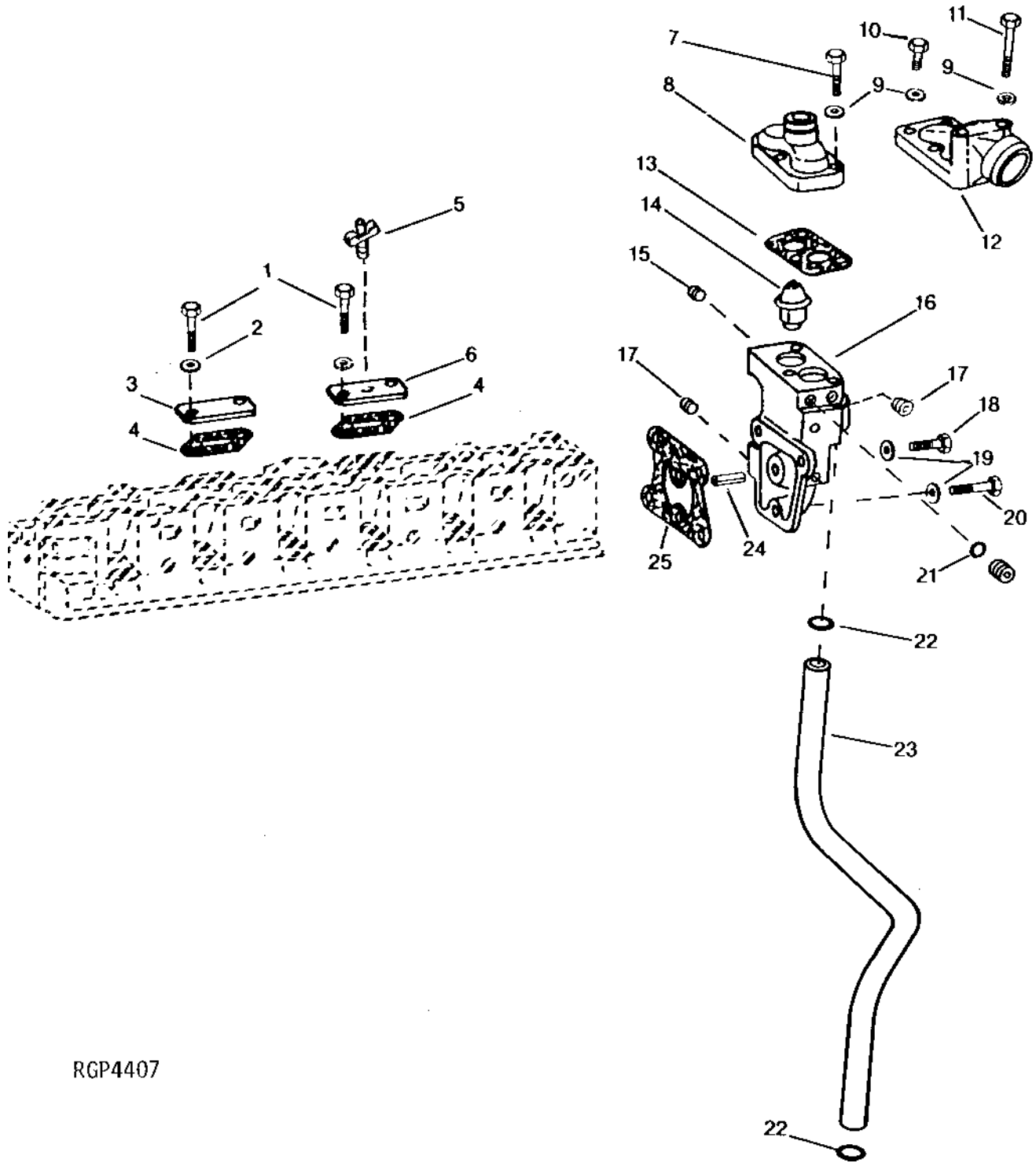


KEY	PART NO.	PART NAME	QTY	ENGINE SERIAL NO.	REMARKS
1	R49377	GASKET	1		
2	R94338	OIL PAN	1		
3	24H1305	WASHER	22	13/32" X 13/16" X 0.065"	
4	12H304	LOCK WASHER	22	3/8"	
5	19H3485	CAP SCREW	4	3/8" X 2"	
6	24H1756	WASHER	2	1/2" X 1" X 0.060"	
7	12H301	LOCK WASHER	2	1/2"	
8	19H2473	CAP SCREW	2	1/2" X 1-3/4"	
9	19H3267	CAP SCREW	18	3/8" X 1-5/8"	
10	RE32856	VALVE	1		

2D18

6076 ENGINE (ENGINE SERIAL NUMBER 500000-)

WATER MANIFOLD AND THERMOSTAT
(ENGINE SERIAL NO. 500000-)
RGP4407 -UN-02FEB94



RGP4407

2D19

6076 ENGINE (ENGINE SERIAL NUMBER 500000-)

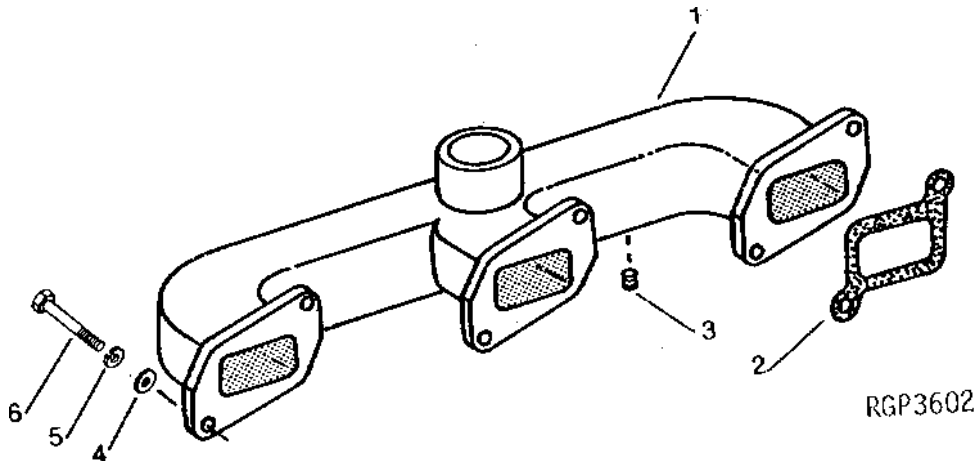
WATER MANIFOLD AND THERMOSTAT - CONTINUED
(ENGINE SERIAL NO. 500000-)

KEY	PART NO.	PART NAME	QTY	ENGINE SERIAL NO.	REMARKS
1	19H2284	CAP SCREW	4		3/8" X 7/8"
2	24H1305	WASHER	4		13/32" X 13/16" X 0.065"
3	R86061	STRAP	1		
4	R88397	GASKET	2		
5	AT13740	DRAIN VALVE	1		
6	R114160	COVER	1		
7	19H3219	CAP SCREW	NA	-504979	
	19H3239	CAP SCREW	NA	504980-	
8	R86007	COVER	NA		
9	12H304	LOCK WASHER	7	-504778	3/8"
	24M7096	WASHER	NA	504779-504979	10.500 X 18 X 1.600 MM
10	19H3219	CAP SCREW	2		3/8" X 1-3/8"
11	19H2639	CAP SCREW	1		3/8" X 3-3/8"
12	R89439	COVER	1		
13	R46479	GASKET	1		
14	AR48675	THERMOSTAT	2		82°C(180°F)
15	15H690	PIPE PLUG	1		3/4"
16	R108604	MANIFOLD	1		(SUB R109859, R77673 AND R82719)
	R109859	MANIFOLD	1		(MARKED R109859) (ALSO ORDER R82719 AND R77673)
17	15H624	PIPE PLUG	2		1/2"
18	19H3175	CAP SCREW	2		3/8" X 3-5/8"
19	R57696	WASHER	3		
20	19H3217	CAP SCREW	1		3/8" X 1-3/4"
21	R77673	O-RING	1		
	FITTING PLUG	NA		
22	R72328	O-RING	2		
23	R108630	TUBE	1		
24	34H329	SPRING PIN	1		5/16" X 1-1/4"
25	R86062	GASKET	1		

2D20

6076 ENGINE (ENGINE SERIAL NUMBER 500000-)

INTAKE MANIFOLD
(ENGINE SERIAL NO. -520021)
 RGP3602 -UN-01JAN94

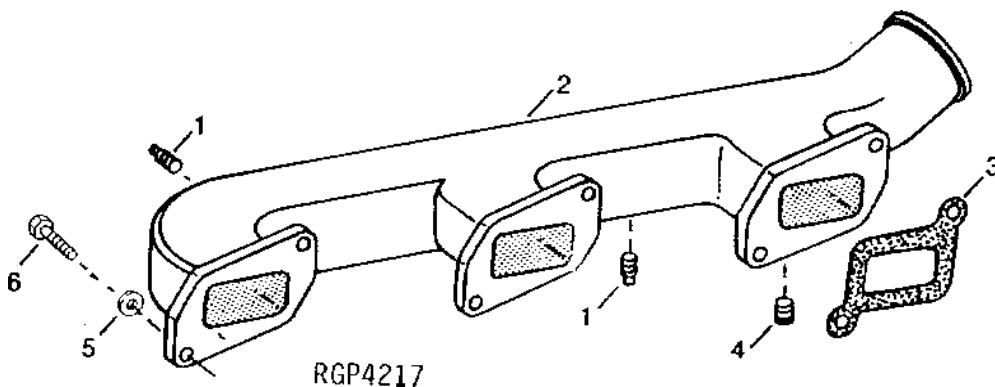


KEY	PART NO.	PART NAME	QTY	ENGINE SERIAL NO.	REMARKS
1	R89790	INTAKE MANIFOLD	1	(SUB R104592, R134429 AND 15H690)	
	R104592	PIPE PLUG	1		
	R134429	INTAKE MANIFOLD	1		
	15H690	PIPE PLUG	1	3/4"	
2	R120646	GASKET	3	(SUB FOR R102838, APPL)	
3	15H638	PIPE PLUG	1	1/8"	
4	24H1682	WASHER	6	13/32" X 7/8" X 0.120"	
5	12H304	LOCK WASHER	6	3/8", (NO LONGER REQUIRED)	
6	19H1651	CAP SCREW	6	3/8" X 1-1/2"	
..	T32231	CLAMP	1	(LOWER CENTER)	

2D21

6076 ENGINE (ENGINE SERIAL NUMBER 500000-)

INTAKE MANIFOLD
(ENGINE SERIAL NO. 520022-)
 RGP4217 -UN-01JAN94

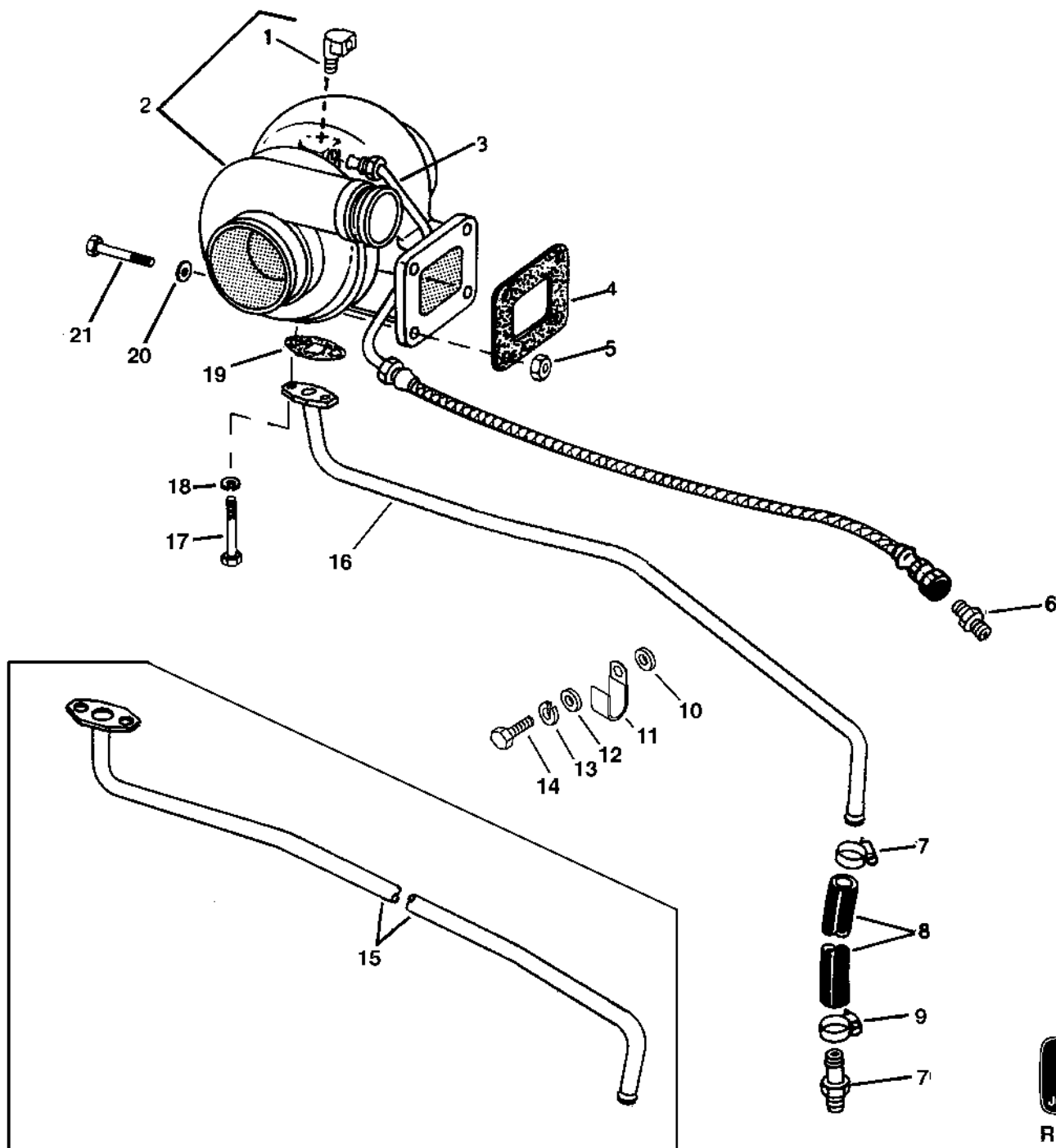


KEY	PART NO.	PART NAME	QTY	ENGINE SERIAL NO.	REMARKS
1	15H666	PIPE PLUG	1		3/8", (FRONT)
	15H690	PIPE PLUG	1		3/4", (REAR)
2	R96518	INTAKE MANIFOLD	1	-571863	(SUB RE68396, R115393, R104592 AND 15H690, APPL)
	R115393	INTAKE MANIFOLD	1	571864-	(SUB FOR R102838, APPL)
3	R120646	GASKET	3		
4	R104592	PIPE PLUG	1		
5	24H1682	WASHER	6		13/32" X 7/8" X 0.120"
6	19H1651	CAP SCREW	6		3/8" X 1-1/2"
..	T32231	CLAMP	1		(LOWER CENTER)

2D22

6076 ENGINE (ENGINE SERIAL NUMBER 500000-)

TURBOCHARGER AND OIL LINES
(ENGINE SERIAL NO. 500000-)
RGP4654 -UN-27MAR96



RGP4654

TURBOCHARGER AND OIL LINES - CONTINUED
(ENGINE SERIAL NO. 500000-)

KEY	PART NO.	PART NAME	QTY	ENGINE SERIAL NO.	REMARKS
1	T11180	ELBOW FITTING	1		
2	RE36285	TURBOCHARGER	1	-565536	(A) (MARKED RE25998) (USE WITH RE47396, RE57372 OR RE44518) (REMANUFACTURED) (GARRETT/AIRESEARCH)
	RE66554	TURBOCHARGER	1	565537-XXXXXX	(B) (MARKED RE65718) (USE WITH RE63514)
	RE70923	TURBOCHARGER	1	XXXXXX-	(B) (MARKED RE70922 OR RE70105) (USE WITH RE63514)
3	RE55511	OIL LINE	1	-571863	(INLET) (SUB FOR RE43978) (ALSO ORDER T28862, 19H1936 AND 24M7096)
	RE68844	OIL LINE	1	571864-	(INLET)
4	R92097	GASKET	1		
5	E55662	FLANGE NUT	4		
6	A4925R	FITTING	1		
7	TY22467	CLAMP	2		(SUB FOR AR21839)
8	R87682	HOSE	1		
9	R39503	FITTING	1		
10	28H3376	SPACER	1		0.364" X 0.540" X 9/16", (BEHIND T74416)
11	T74416	CLAMP	1		(SUB FOR R72853, APPL)
12	24H1136	WASHER	1		11/32" X 11/16" X 0.065"
13	12H303	LOCK WASHER	1		5/16", (NO LONGER REQUIRED WITH 19H2661)
14	19H1849	CAP SCREW	1		5/16" X 1-1/4"
15	RE25665	OIL LINE	1	-571863	(RETURN) (SUB RE68396)
16	RE68396	OIL LINE	1	571864-	(RETURN)
17	R122618	SCREW	2		
18	12H304	LOCK WASHER	2		3/8", (NO LONGER REQUIRED)
19	R105346	GASKET	1		
20	24H1305	WASHER	8		13/32" X 13/16" X 0.065"
21	R100747	SELF-LOCKING SCREW	4		

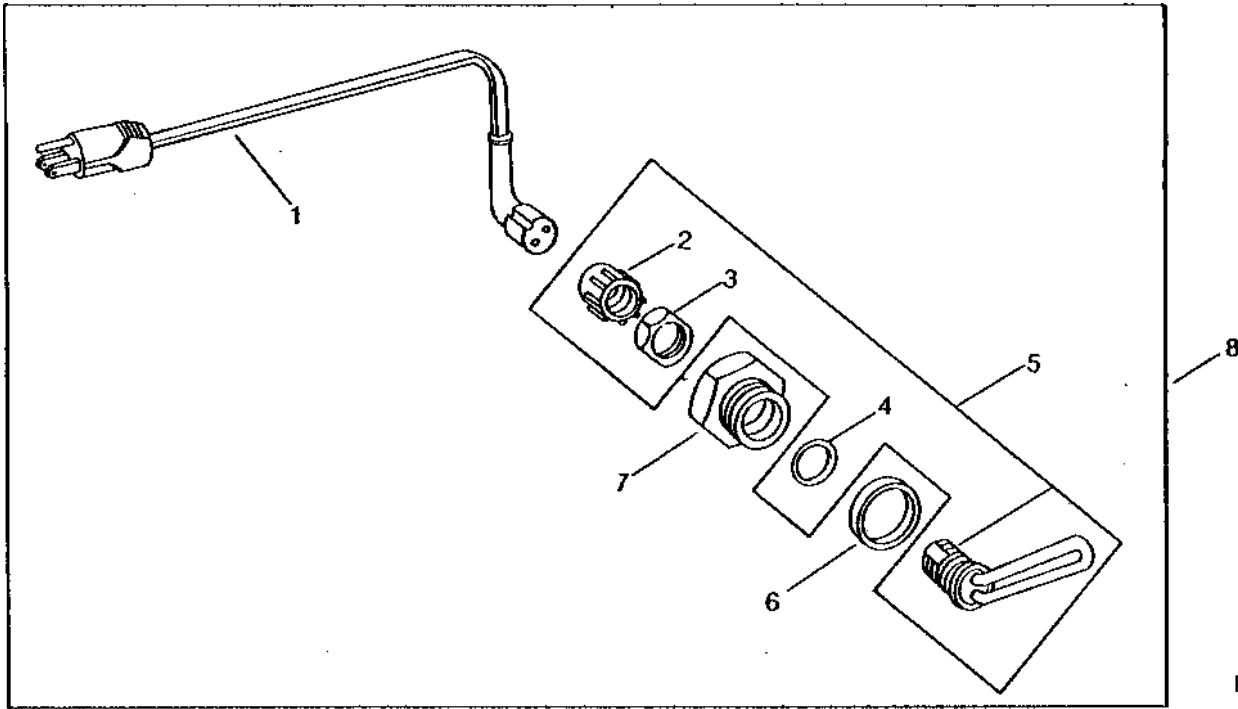
(A) 6076HH031,032

(B) 6076HH034,035, 036

2D24

6076 ENGINE (ENGINE SERIAL NUMBER 500000-)

ENGINE COOLANT HEATER
RGP546 -UN-01JAN94



RGP546

KEY	PART NO.	PART NAME	QTY	ENGINE SERIAL NO.	REMARKS
1	AR50411	WIRING LEAD	1		
2	R54510	CAP	1		(SUB AR62399, APPL)
3	R54511	NUT	1		(SUB AR62399, APPL)
4	R47693	GASKET	1		
5	AR62399	COOLANT HEATER	1		(110 VOLT)
6	U13639	O-RING	1		
7	R54123	ADAPTER	1		
8	AR62492	COOLANT HEATER	1		

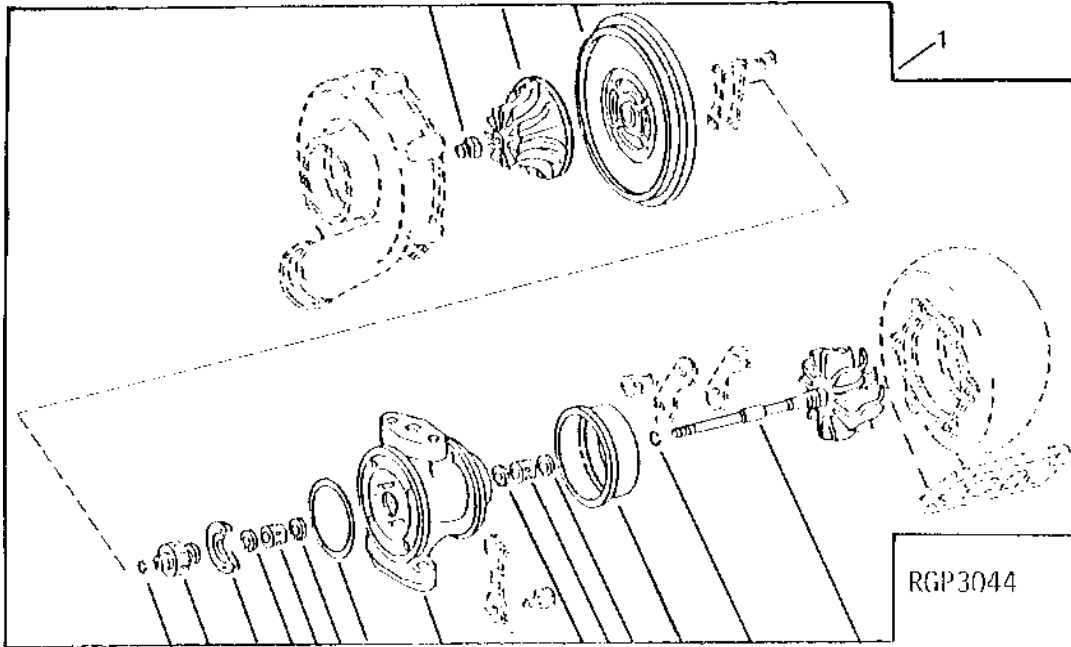
2D25

6076 ENGINE (ENGINE SERIAL NUMBER 50000-)

TURBOCHARGER CENTER HOUSING WITH ROTATING PARTS

(AIRESEARCH)

RGP3044 -UN-01JAN94

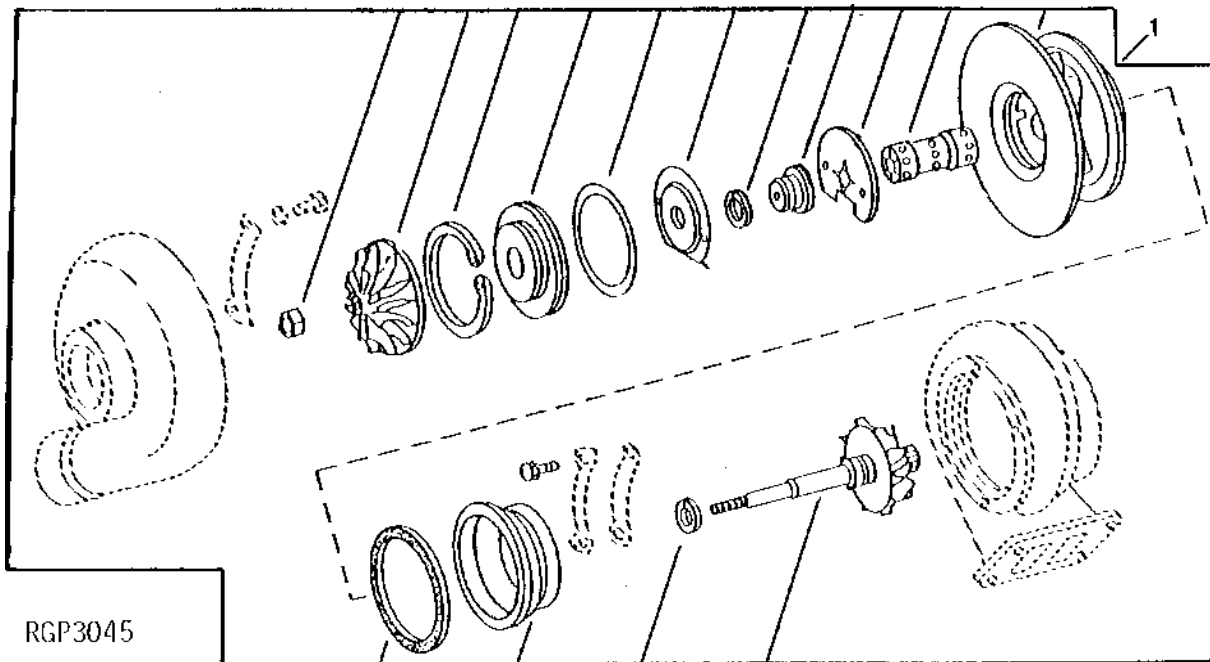


KEY	PART NO.	PART NAME	QTY	ENGINE SERIAL NO.	REMARKS
1	RE29488	HOUSING	1	(SUB RE31258) (USE WITH RE25998)	
..	RE38346	KIT	1	(NLA)	

TURBOCHARGER CENTER HOUSING WITH ROTATING PARTS

(SCHWITZER)

RGP3045 -UN-01JAN94

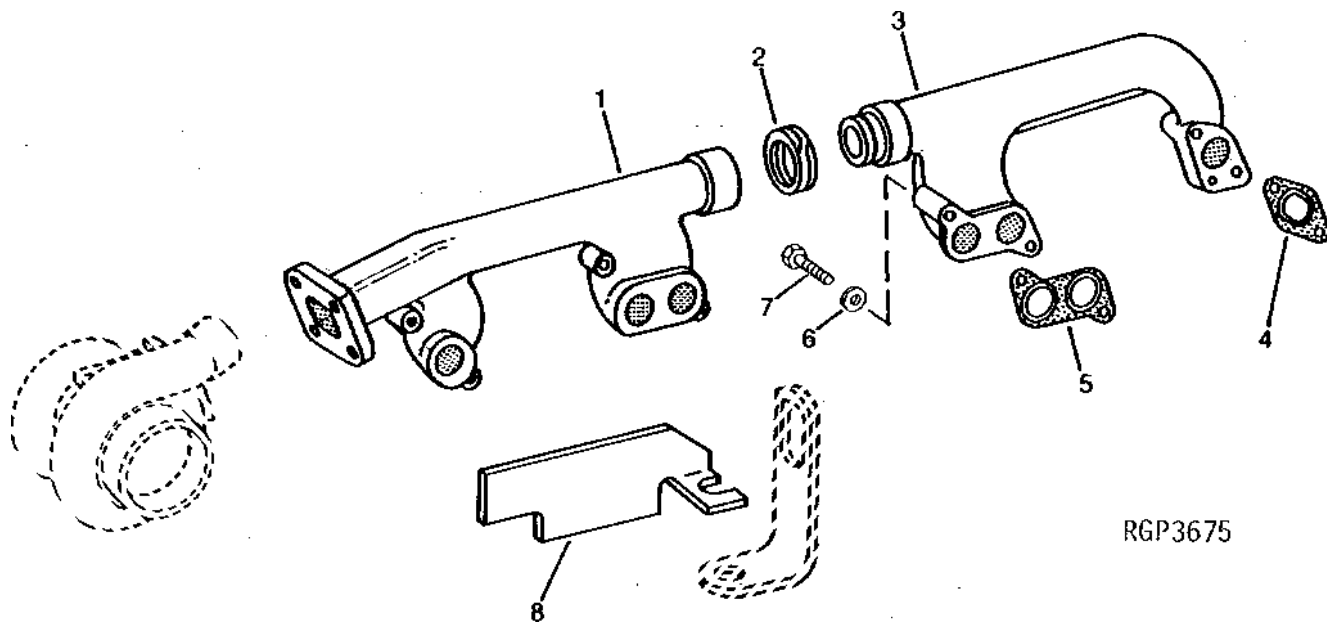


KEY	PART NO.	PART NAME	QTY	ENGINE SERIAL NO.	REMARKS
1	RE38331	HOUSING	1		
..	RE38288	KIT	1		(USE WITH RE30562) (NO LONGER AVAILABLE)

2E2

6076 ENGINE (ENGINE SERIAL NUMBER 500000-)

EXHAUST MANIFOLDS
RGP3675 -UN-01JAN94



KEY	PART NO.	PART NAME	QTY	ENGINE SERIAL NO.	REMARKS
1	R91519	MANIFOLD	1		
2	R122595	RING	1		(SUB FOR R58109)
3	R69936	EXHAUST MANIFOLD	1		
4	R83021	GASKET	2		
5	R83020	GASKET	2		
6	R63845	WASHER	8		
7	19H2128	CAP SCREW	8	3/8" X 3"	
8	H144260	SHIELD	1		

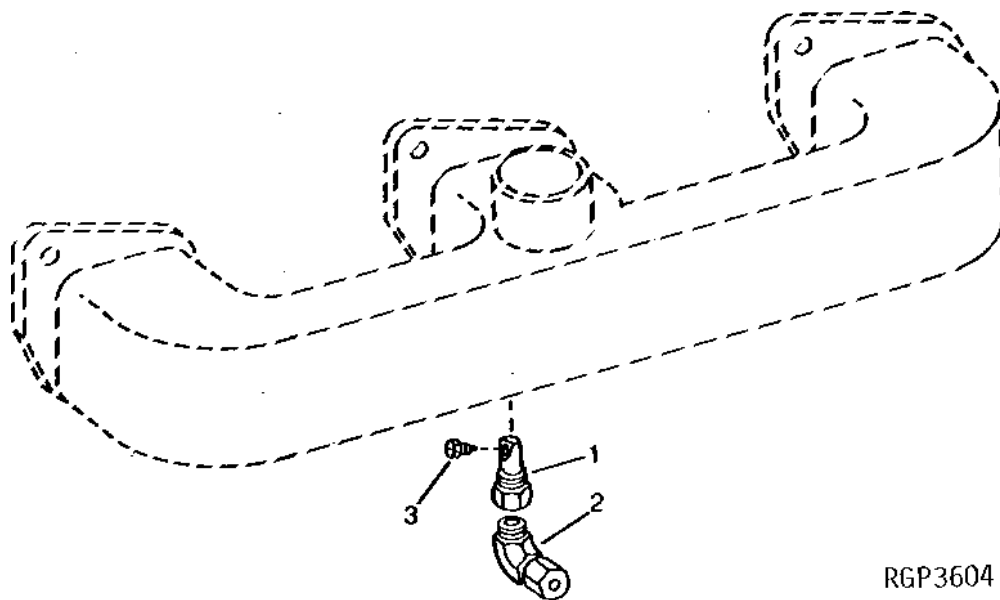
MEMORANDA

2E3

6076 ENGINE (ENGINE SERIAL NUMBER 50000-)

ETHER STARTING FITTINGS

RGP3604 -UN-01JAN94



RGP3604

KEY	PART NO.	PART NAME	QTY	ENGINE SERIAL NO.	REMARKS
1	R47160	NOZZLE HOLDER	1		
2	RE21790	ELBOW FITTING	1		
3	R28583	NOZZLE	1		

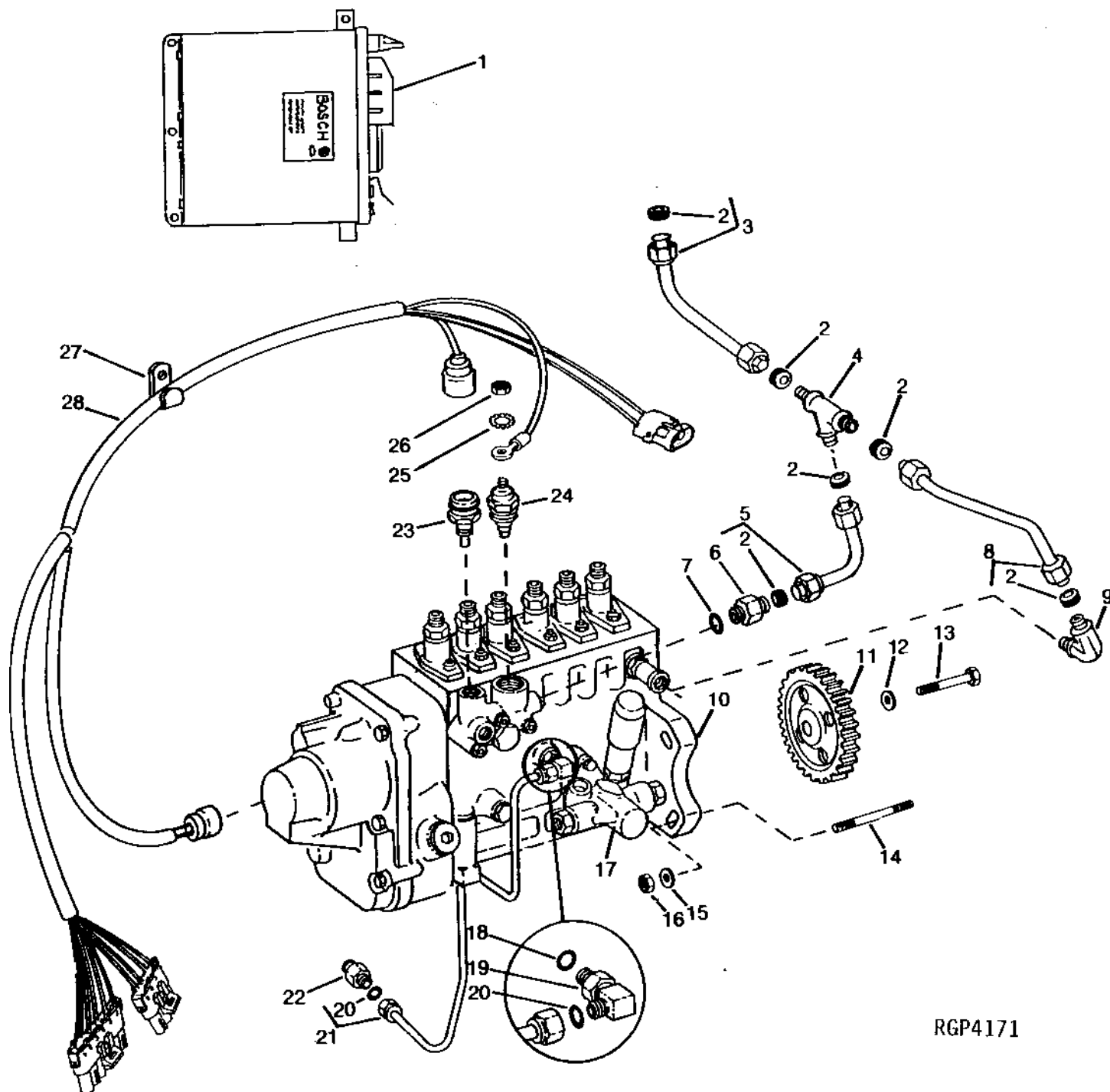
2E4

6076 ENGINE (ENGINE SERIAL NUMBER 500000-)

FUEL INJECTION PUMP, LUBE LINE AND ENGINE CONTROLLER (6076HH032)

(ENGINE SERIAL NO. 500000-)

RGP4171 -UN-20OCT94



RGP4171

2E5

6076 ENGINE (ENGINE SERIAL NUMBER 500000-)

**FUEL INJECTION PUMP, LUBE LINE AND ENGINE CONTROLLER (6076HH032) - CONTINUED
(ENGINE SERIAL NO. 500000-536793)
(EARLY DESIGN)**

KEY	PART NO.	PART NAME	QTY	ENGINE SERIAL NO.	REMARKS
1	RE48729	ENGINE CONTROLLER	1	(6076HH032)	(MARKED RE28320) (ROBERT BOSCH)
2	R51936	PACKING	6		
3	RE30920	FUEL LINE	1	(SUB FOR RE49591)	
4	R97061	TEE FITTING	1		
5	RE30833	FUEL LINE	1		
6	R91824	FITTING	1		
7	R48693	WASHER	1		
8	RE35684	FUEL LINE	1		
9	R67364	ELBOW FITTING	1		
10	RE47396	FUEL INJECTION PUMP	1	(A)	(ROBERT BOSCH) (PES6P120A720RS3184)
11	R104590	GEAR	1		
12	R63845	WASHER	4		
13	19H3690	CAP SCREW	4	3/8" X 3/4",	(SUB R121195)
	R121195	CAP SCREW	4		
14	R114130	STUD	4	(SUB FOR R55396,	APPL)
15	M72490	WASHER	4	(SUB FOR R42729)	
16	14H1090	NUT	4	(SUB FOR E55662,	APPL.)
17	RE46252	FUEL PUMP	1		
18	R73858	O-RING	1		
19	AR88903	ELBOW FITTING	1		
20	R67264	PACKING	2		
21	RE43369	OIL LINE	1		
22	R76822	FITTING	1		
23	RE28217	FUEL TEMPERATURE SENSOR	1	(TEMPERATURE)	
	R98500	O-RING	1		
24	R89014	SOLENOID	1	(SHUT-OFF HOUSING)	
	R99047	O-RING	1		
	RE24468	SHAFT	1	(SPEED CONTROL SENSOR SHAFT WITH ARM)	
	RE30295	SENSOR	1	(ROTARY POSITION SENSOR)	
	R86457	SUPPORT	1	(SUPPORT SENSOR)	
	R94648	ANGLE	1		
	21H1390	SCREW	2		
25	12H296	WASHER	1	0.216"	
26	14M7297	NUT	1	M5	
27	R72853	CLAMP	1	(NO LONGER REQUIRED)	
28	RE31504	WIRING HARNESS	1		
..	R53899	WASHER	1		

(A) "SEE YOUR AUTHORIZED PUMP REPAIR STATION FOR PARTS NOT LISTED"

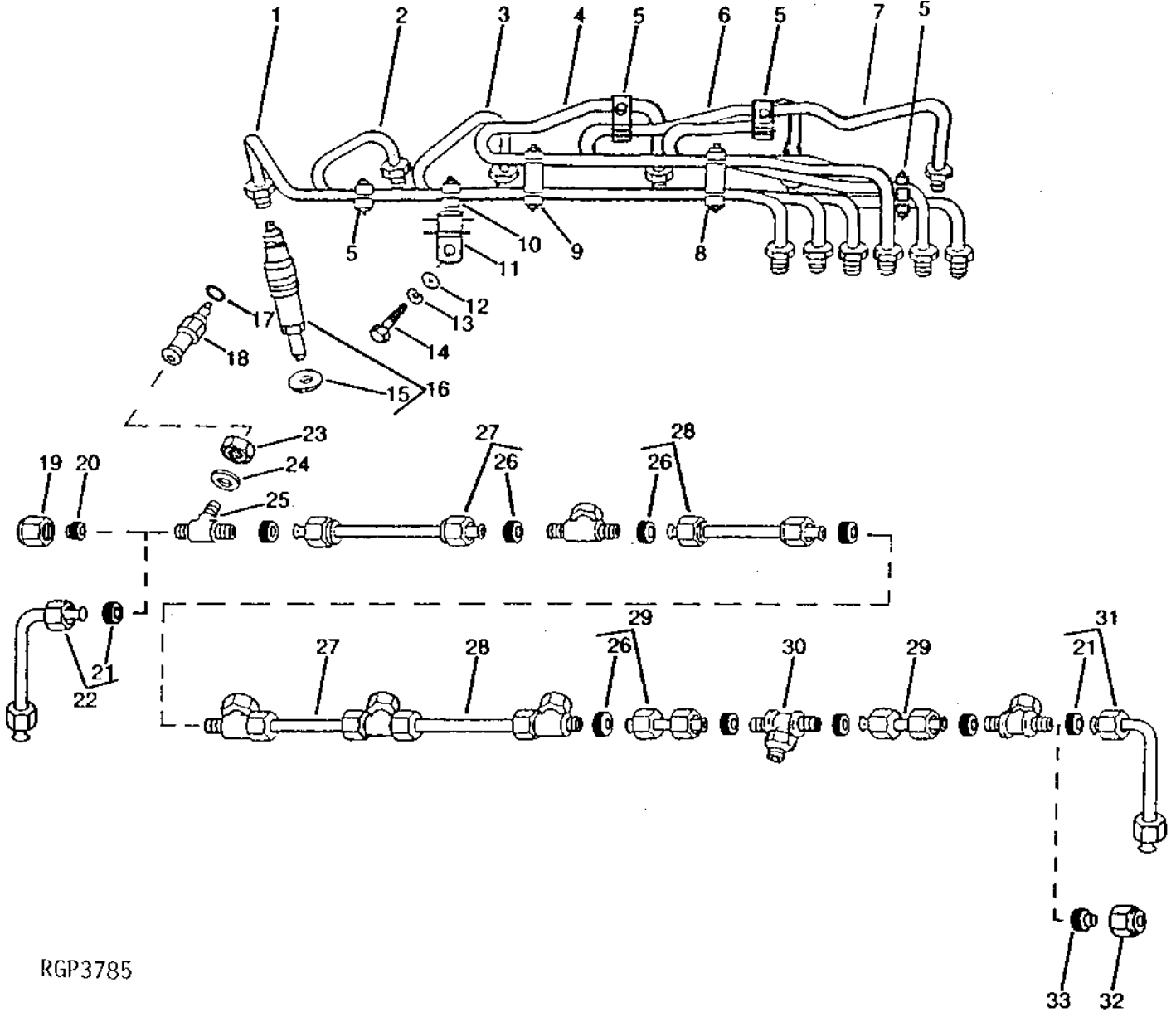
2E6

6076 ENGINE (ENGINE SERIAL NUMBER 500000-)

FUEL INJECTION NOZZLES AND LINES (HH031, HH035)

(ENGINE SERIAL NO. 500000-)

RGP3785 -UN-01JAN94



RGP3785

FUEL INJECTION NOZZLES AND LINES (HH031, HH035) - CONTINUED
(ENGINE SERIAL NO. 500000-)

KEY	PART NO.	PART NAME	QTY	ENGINE SERIAL NO.	REMARKS
1	RE47419	FUEL LINE	1	NO. 6	
2	RE47418	FUEL LINE	1	NO. 5	
3	RE47417	FUEL LINE	1	NO. 4	
4	RE47416	FUEL LINE	1	NO. 3	
5	R59305	STRAP	1		
	R58186	CLAMP	2		
	R61144	STRAP	1		
	21H1463	CAP SCREW	1	0.190" X 7/8"	
6	RE47415	FUEL LINE	1	NO. 2	
7	RE47414	FUEL LINE	1	NO. 1	
8	R59298	STRAP	1		
	R71212	CLAMP	1		
	R59297	HALF CLAMP	2		
	R61145	STRAP	1		
	R71398	SCREW	2	0.190" X 1-1/2"	
9	R59305	STRAP	1		
	R58186	CLAMP	1		
	R74030	CLAMP	1		
	R74804	CLAMP	1		
	R61144	STRAP	1		
	R71398	SCREW	1	0.190" X 1-1/2"	
10	R59298	STRAP	1		
	R59297	HALF CLAMP	2		
	21H1463	CAP SCREW	2	0.190" X 7/8"	
11	RE47120	ABSORBER	1		
12	24H1884	WASHER	1	13/32" X 13/16" X 0.120"	
13	12M7066	LOCK WASHER	1	10.200 MM, (NO LONGER REQUIRED)	
14	19M7166	CAP SCREW	1	M10 X 20	
15	R84472	WASHER	6	7.360 X 18.160 X 2 MM (0.290" X 0.715" X 0.079")	
16	RE46364	INJECTION NOZZLE	6	(ROBERT BOSCH)	
	RE55971	INJECTION NOZZLE	6	(STANADYNE) (SUB RE46364)	
17	R77551	O-RING	6		
18	R87082	FITTING	6	(ALSO ORDER R77551)	
19	R51937	TUBE NUT	1		
20	AR85519	PLUG	1		
21	R51936	PACKING	1		
22	AR104650	FUEL LINE	NA		
23	R79604	TUBE NUT	6		
24	R79605	WASHER	6		
25	R79606	TEE FITTING	6		
26	R51936	PACKING	12		
27	RE15807	FUEL LINE	2		
28	RE15808	FUEL LINE	2		
29	RE36421	FUEL LINE	2		
30	R97061	TEE FITTING	1		
31	AR104650	FUEL LINE	1		
32	R51937	TUBE NUT	NA		
33	AR85519	PLUG	NA		

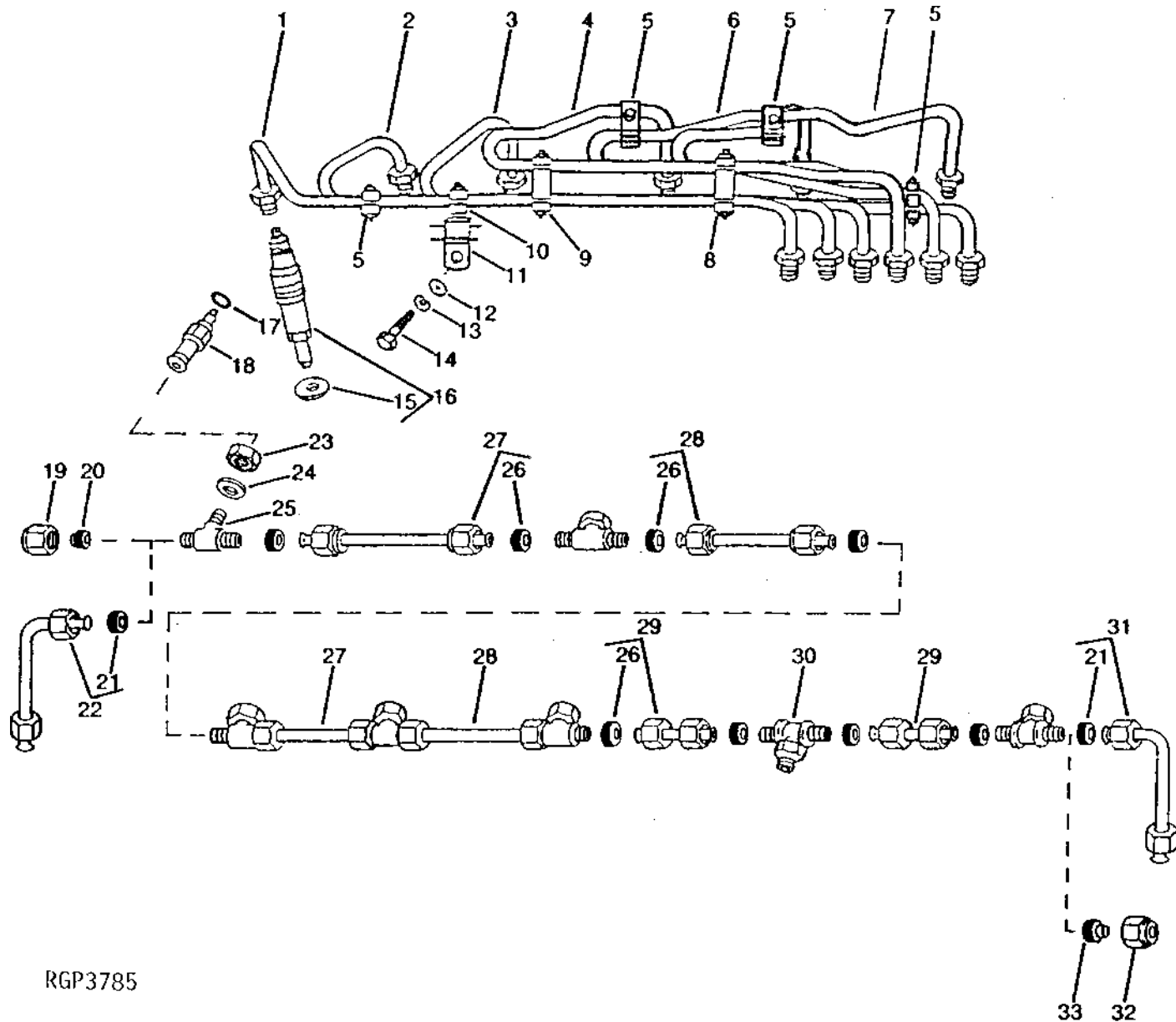
2E8

6076 ENGINE (ENGINE SERIAL NUMBER 500000-)

FUEL INJECTION NOZZLES AND LINES (HH030, HH032, HH034, HH036)

(ENGINE SERIAL NO. 500000-)

RGP3785 -UN-01JAN94



RGP3785

2E9

6076 ENGINE (ENGINE SERIAL NUMBER 500000-)

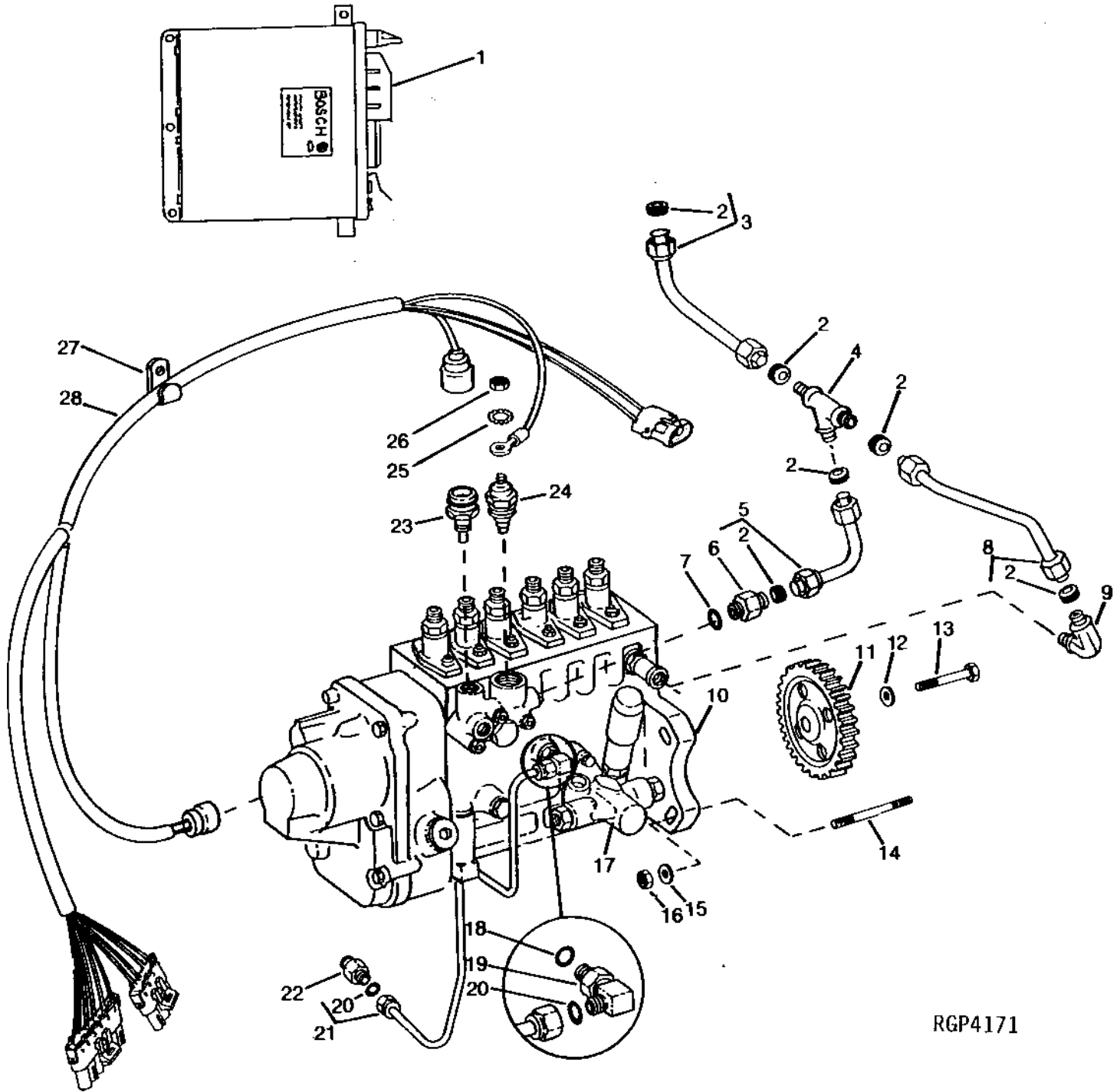
FUEL INJECTION NOZZLES AND LINES (HH030, HH032, HH034, HH036) - CONTINUED
(ENGINE SERIAL NO. 500000-)

KEY	PART NO.	PART NAME	QTY	ENGINE SERIAL NO.	REMARKS
1	RE47431	FUEL LINE	1	NO. 6	
2	RE47430	FUEL LINE	1	NO. 5	
3	RE47429	FUEL LINE	1	NO. 4	
4	RE47428	FUEL LINE	1	NO. 3	
5	R59305	STRAP	1		
	R58186	CLAMP	2		
	R61144	STRAP	1		
	21H1463	CAP SCREW	1	0.190" X 7/8"	
6	RE47427	FUEL LINE	1	NO. 2	
7	RE47426	FUEL LINE	1	NO. 1	
8	R59298	STRAP	1		
	R71212	CLAMP	1		
	R59297	HALF CLAMP	2		
	R61145	STRAP	1		
	R71398	SCREW	2	0.190" X 1-1/2"	
9	R59305	STRAP	1		
	R74030	CLAMP	1		
	R74804	CLAMP	1		
	R58186	CLAMP	1		
	R61144	STRAP	1		
	R71398	SCREW	1	0.190" X 1-1/2"	
10	R59298	STRAP	1		
	R59297	HALF CLAMP	2		
	21H1463	CAP SCREW	2	0.190" X 7/8"	
11	RE47120	ABSORBER	1		
12	24H1884	WASHER	1	13/32" X 13/16" X 0.120"	
13	12M7066	LOCK WASHER	1	10.200 MM, (NO LONGER REQUIRED)	
14	19M7166	CAP SCREW	1	M10 X 20	
15	R84472	WASHER	6	7.360 X 18.160 X 2 MM (0.290" X 0.715" X 0.079")	
16	RE25253	INJECTION NOZZLE	6	(DENSO) (SUB RE52113 AND R84472)	
	RE52113	INJECTION NOZZLE	6		
	R84472	WASHER	6		
17	R77551	O-RING	6		
18	R87082	FITTING	6	(ALSO ORDER R77551)	
19	R51937	TUBE NUT	NA		
20	AR85519	PLUG	NA		
21	R51936	PACKING	1		
22	AR104650	FUEL LINE	1		
23	R79604	TUBE NUT	6		
24	R79605	WASHER	6		
25	R79606	TEE FITTING	6		
26	R51936	PACKING	12		
27	RE15807	FUEL LINE	2		
28	RE15808	FUEL LINE	2		
29	RE36421	FUEL LINE	2		
30	R97061	TEE FITTING	1		
31	AR104650	FUEL LINE	NA		
32	R51937	TUBE NUT	1		
33	AR85519	PLUG	1		

2E10

6076 ENGINE (ENGINE SERIAL NUMBER 50000-)

FUEL INJECTION PUMP, LUBE LINE AND ENGINE CONTROLLER (6076HH032)
(ENGINE SERIAL NO. 500000-536793)
(EARLY DESIGN)
RGP4171 -UN-20OCT94



RGP4171

2E11

6076 ENGINE (ENGINE SERIAL NUMBER 500000-)

**FUEL INJECTION PUMP, LUBE LINE AND ENGINE CONTROLLER (6076HH032) - CONTINUED
(ENGINE SERIAL NO. 500000-536793)
(EARLY DESIGN)**

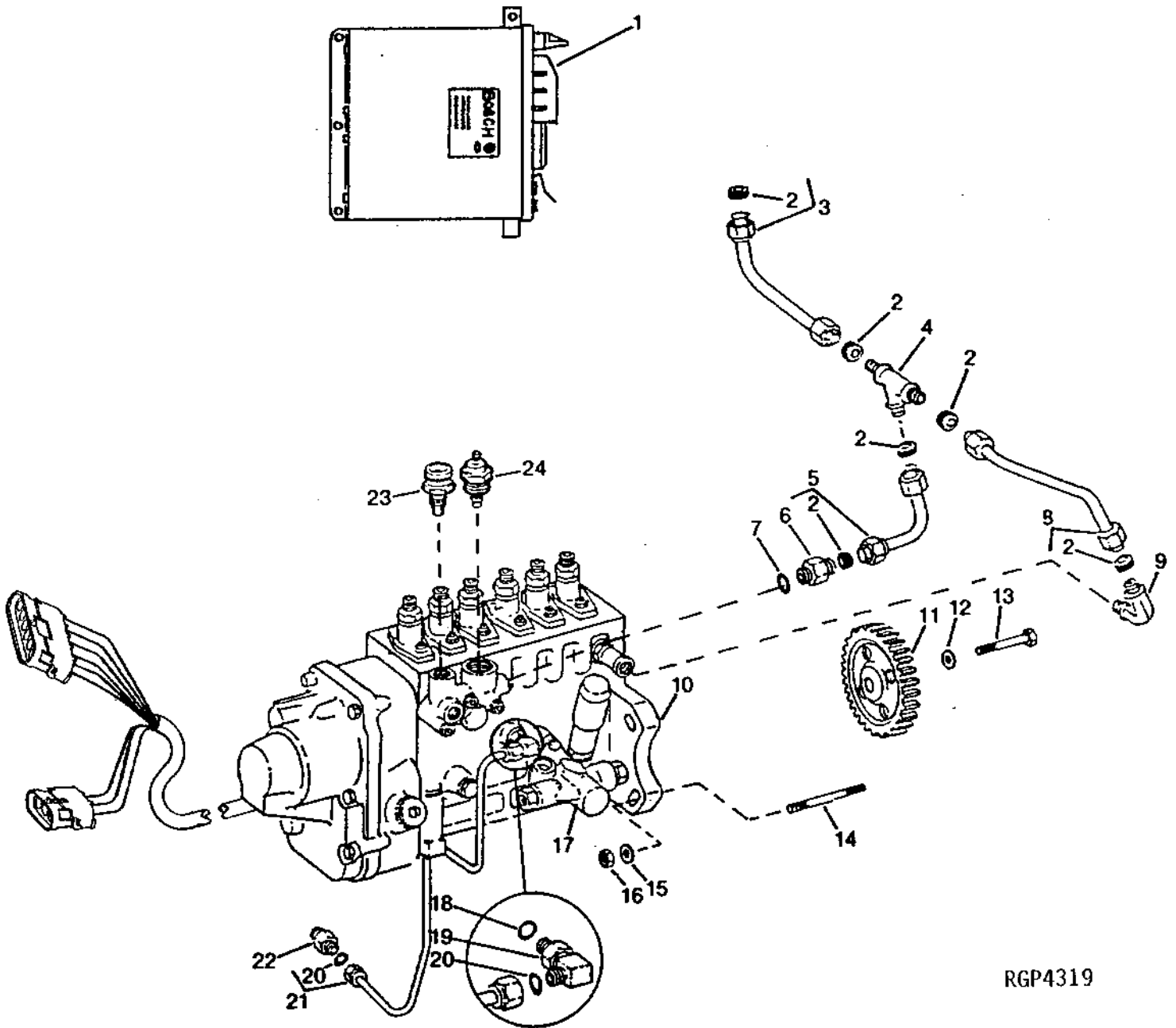
KEY	PART NO.	PART NAME	QTY	ENGINE SERIAL NO.	REMARKS
1	RE48729	ENGINE CONTROLLER	1	(6076HH032)	(MARKED RE28320)
2	R51936	PACKING	6		
3	RE30920	FUEL LINE	1		(SUB FOR RE49591)
4	R97061	TEE FITTING	1		
5	RE30833	FUEL LINE	1		
6	R91824	FITTING	1		
7	R48693	WASHER	1		
8	RE35684	FUEL LINE	1		
9	R67364	ELBOW FITTING	1		
10	RE47396	FUEL INJECTION PUMP	1	(A)	(ROBERT BOSCH) (PES6P120A720RS3184)
11	R104590	GEAR	1		
12	R63845	WASHER	4		
13	19H3690	CAP SCREW	4		3/8" X 3/4", (SUB R121195)
	R121195	CAP SCREW	4		
14	R55396	STUD	4		
15	M72490	WASHER	4		(SUB FOR R42729)
16	14H1090	NUT	4		(SUB FOR E55662, APPL.)
17	RE46252	FUEL PUMP	1		
18	R73858	O-RING	1		
19	AR88903	ELBOW FITTING	1		
20	R67264	PACKING	2		
21	RE43369	OIL LINE	1		
22	R76822	FITTING	1		
23	RE28217	FUEL TEMPERATURE SENSOR	1		(TEMPERATURE)
	R98500	O-RING	1		
24	R89014	SOLENOID	1		(SHUT-OFF HOUSING)
	R99047	O-RING	1		
	RE24468	SHAFT	1		(SPEED CONTROL SENSOR SHAFT WITH ARM)
	RE30295	SENSOR	1		(ROTARY POSITION SENSOR)
	R86457	SUPPORT	1		(SUPPORT SENSOR)
	R94648	ANGLE	1		
	21H1390	SCREW	2		
25	12H296	WASHER	1		0.216"
26	14M7297	NUT	1		M5
27	R72853	CLAMP	1		(NO LONGER REQUIRED)
28	RE31504	WIRING HARNESS	1		
..	R53899	WASHER	1		

(A) "SEE YOUR AUTHORIZED PUMP REPAIR STATION FOR PARTS NOT LISTED"

2E12

6076 ENGINE (ENGINE SERIAL NUMBER 50000-)

FUEL INJECTION PUMP, LUBE LINE AND ENGINE CONTROLLER
(6076HH032)
(ROBERT BOSCH)
(ENGINE SERIAL NO. 536794-567570)
(LATE DESIGN)
RGP4319 -UN-01JAN94



RGP4319

2E13

6076 ENGINE (ENGINE SERIAL NUMBER 500000-)

FUEL INJ. PUMP, LUBE LINE AND ENGINE CONTROLLER (6076HH032 - CONTINUED)
(ROBERT BOSCH)
(ENGINE SERIAL NO. 536794-567570)
(LATE DESIGN)

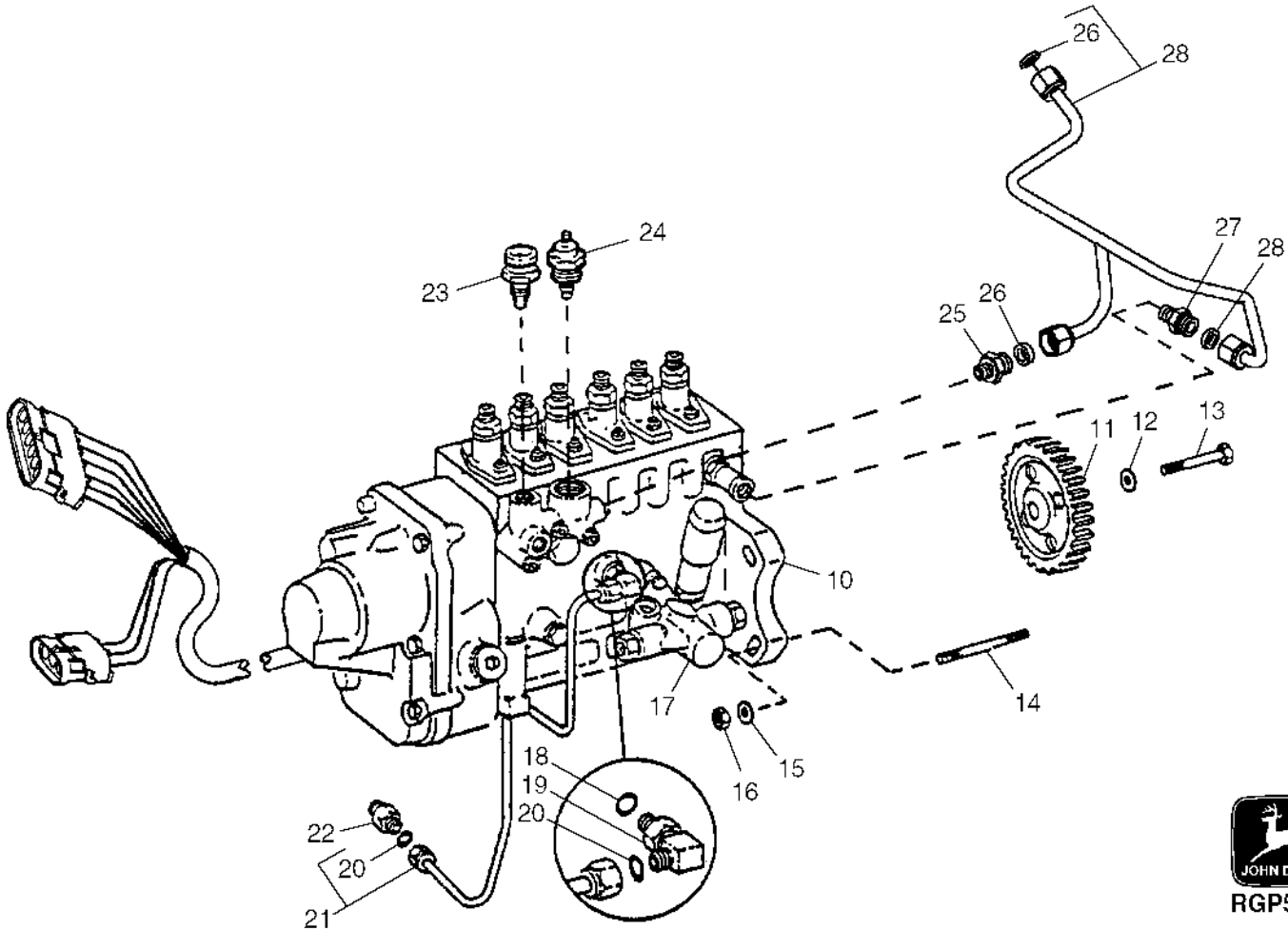
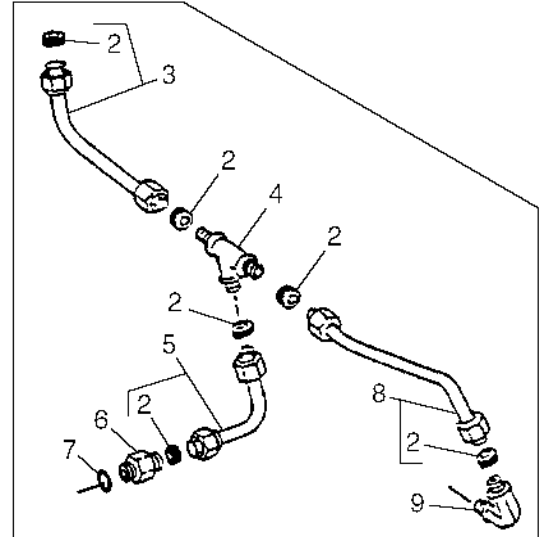
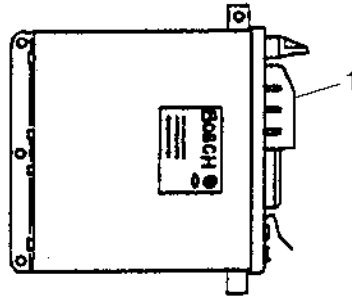
KEY	PART NO.	PART NAME	QTY	ENGINE SERIAL NO.	REMARKS
1	RE48729	ENGINE CONTROLLER	1	-567570	(MARKED RE28320) (SUB RE501808) (ROBERT BOSCH)
	RE501808	ENGINE CONTROLLER	1		(SUB FOR RE48729) (SUB RE502148 AND RE502125)
	RE502148	ENGINE CONTROLLER	1		(SUB FOR RE501808 AND RE48729) (ALSO ORDER RE502125) (MARKED RE502404)
2	R51936	PACKING	6		
3	RE30920	FUEL LINE	1		
4	R97061	TEE FITTING	1		
5	RE30833	FUEL LINE	1		
6	R91824	FITTING	1		
7	R48693	WASHER	1		
8	RE35684	FUEL LINE	1		
9	R67364	ELBOW FITTING	1		
10	RE57372	FUEL INJECTION PUMP	1		(A) (ROBERT BOSCH) (PES6P120A720RS3184) (SUB RE63514 AND RE34128, APPL.)
	RE63514	FUEL INJECTION PUMP	1		(A) (ROBERT BOSCH) (SUB RE502259)
	RE502259	FUEL INJECTION PUMP	1		(A) (FOR HARVESTER APPLICATIONS, REUSE TRANSFER PUMP INLET ADJUSTABLE ELBOW FROM THE OLD PUMP OR ORDER RE34128 ELBOW.) (ALSO ORDER R121164, (4) R121195)
11	R104590	GEAR	1		
12	R63845	WASHER	4		
13	19H3690	CAP SCREW	4		3/8" X 3/4", (SUB R121195)
	R121195	CAP SCREW	4		
14	R114130	STUD	4		(SUB FOR R55396, APPL.)
15	M72490	WASHER	4		
16	14H1090	NUT	4		(SUB FOR E55662, APPL.)
17	RE46252	FUEL PUMP	1		
18	R73858	O-RING	1		
19	AR88903	ELBOW FITTING	1		
20	R67264	PACKING	2		
21	RE43369	OIL LINE	1		
22	R76822	FITTING	1		
23	RE28217	FUEL TEMPERATURE SENSOR	1		(TEMPERATURE)
	R98500	O-RING	1		
24	R89014	SOLENOID	1		(SHUT-OFF HOUSING)
	R99047	O-RING	1		
..	R53899	WASHER	1		
..	RE502125	KIT	1		MOUNTING BRACKET

(A) "SEE YOUR AUTHORIZED PUMP REPAIR STATION FOR PARTS NOT LISTED"

2E14

6076 ENGINE (ENGINE SERIAL NUMBER 500000-)

FUEL INJECTION PUMP, LUBE LINE AND ENGINE CONTROLLER
(6076HH036)
(ENGINE SERIAL NO. 567571-)
(LATE DESIGN)
RGP5313 -UN-13SEP99



2E15

6076 ENGINE (ENGINE SERIAL NUMBER 500000-)

FUEL INJ. PUMP, LUBE LINE AND ENGINE CONTROLLER (6076HH036) - CONTINUED
(ROBERT BOSCH)
(ENGINE SERIAL NO. 536794-)
(LATE DESIGN)

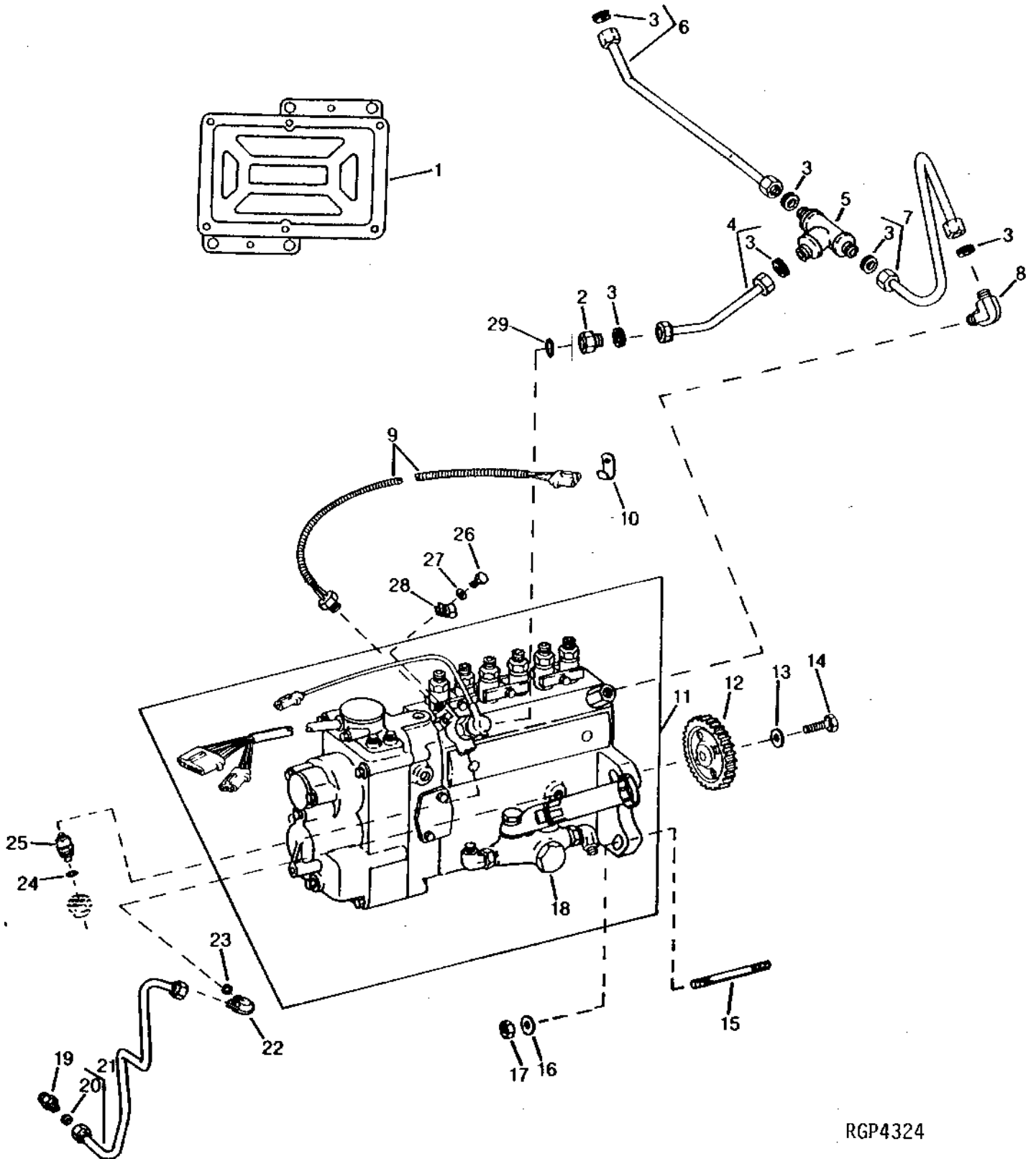
KEY	PART NO.	PART NAME	QTY	ENGINE SERIAL NO.	REMARKS
1	RE66565	ENGINE CONTROLLER	1	567571-587620	(MARKED RE28320) (SUB RE501247) (ROBERT BOSCH)
	RE500111	ENGINE CONTROLLER	1	587621-	(MARKED RE66614) (SUB RE501250) (FOCUS)
	RE501247	ENGINE CONTROLLER	1		(SUB FOR RE66565) (SUB RE501710)
	RE501710	ENGINE CONTROLLER	1		(SUB RE501250) (SUB FOR RE66565 AND RE501247)
	RE501813	ENGINE CONTROLLER	1		(SUB RE501250 AND RE502125) (SUB FOR RE66565, RE501247 AND RE501710)
	RE501250	ENGINE CONTROLLER	1		(SUB FOR RE66565, RE501247, RE501710 AND RE500111) (MARKED RE502404)
2	R51936	PACKING	6	-XXXXXX	
3	RE30920	FUEL LINE	1	-XXXXXX	
4	R97061	TEE FITTING	1	-XXXXXX	
5	RE30833	FUEL LINE	1	-XXXXXX	
6	R91824	FITTING	1	-XXXXXX	
7	R48693	WASHER	1	-XXXXXX	
8	RE35684	FUEL LINE	1	-XXXXXX	
9	R67364	ELBOW FITTING	1	-XXXXXX	
10	RE57372	FUEL INJECTION PUMP	1		(A) (ROBERT BOSCH) (PES6P120A720RS3184) (SUB RE63514 AND RE34128, APPL.)
	RE63514	FUEL INJECTION PUMP	1		(A) (ROBERT BOSCH) (SUB RE502259)
	RE502259	FUEL INJECTION PUMP	1		(A) (FOR HARVESTER APPLICATIONS, REUSE TRANSFER PUMP INLET ADJUSTABLE ELBOW FROM THE OLD PUMP OR ORDER RE34128 ELBOW.) (ALSO ORDER R121164, (4) R121195)
11	R104590	GEAR	1		
12	R63845	WASHER	4		
13	19H3690	CAP SCREW	4		3/8" X 3/4", (SUB R121195)
	R121195	CAP SCREW	4		
14	R114130	STUD	4		(SUB FOR R55396, APPL)
15	M72490	WASHER	4		
16	14H1090	NUT	4		(SUB FOR E55662, APPL.)
17	RE46252	FUEL PUMP	1		
18	R73858	O-RING	1		
19	AR88903	ELBOW FITTING	1		
20	R67264	PACKING	2		
21	RE43369	OIL LINE	1		
22	R76822	FITTING	1		
23	RE28217	FUEL TEMPERATURE SENSOR	1		(TEMPERATURE)
	R98500	O-RING	1		
24	R89014	SOLENOID	1		(SHUT-OFF HOUSING)
	R99047	O-RING	1		
25	RE67934	CONNECTOR	1	XXXXXX-	
26	R51936	PACKING	3	XXXXXX-	
27	R63604	FITTING	1	XXXXXX-	
28	RE66000	FUEL LINE	1	XXXXXX-XXXXXX	
	RE501262	FUEL LINE	1	XXXXXX-	(SUB RE504635)
	RE504635	FUEL LINE	1		(SUB FOR RE501262)
..	R53899	WASHER	1		
..	RE502125	KIT	1		MOUNTING BRACKET
..	RE501250	ENGINE CONTROLLER	1		(MARKED RE502404)

(A) "SEE YOUR AUTHORIZED PUMP REPAIR STATION FOR PARTS NOT LISTED"

2E16

6076 ENGINE (ENGINE SERIAL NUMBER 500000-)

FUEL INJECTION PUMP, LUBE LINE AND ENGINE CONTROLLER (6076HH031)
(DENSO)
(ENGINE SERIAL NO. 500000-538145) (85MM INJECTION PUMP BORE)
(EARLY DESIGN BLOCK MARKED - R100406, R119996 OR R122737)
RGP4324 -UN-01JAN94



RGP4324

2E17

6076 ENGINE (ENGINE SERIAL NUMBER 500000-)

FUEL INJECTION PUMP, LUBE LINE AND ENGINE CONTROLLER (6076HH031) - CONTINUED**(DENSO)****(ENGINE SERIAL NO. 500000-538145) (85MM INJECTION PUMP BORE)****(EARLY DESIGN BLOCK MARKED - R100406, R119996 OR R122737)**

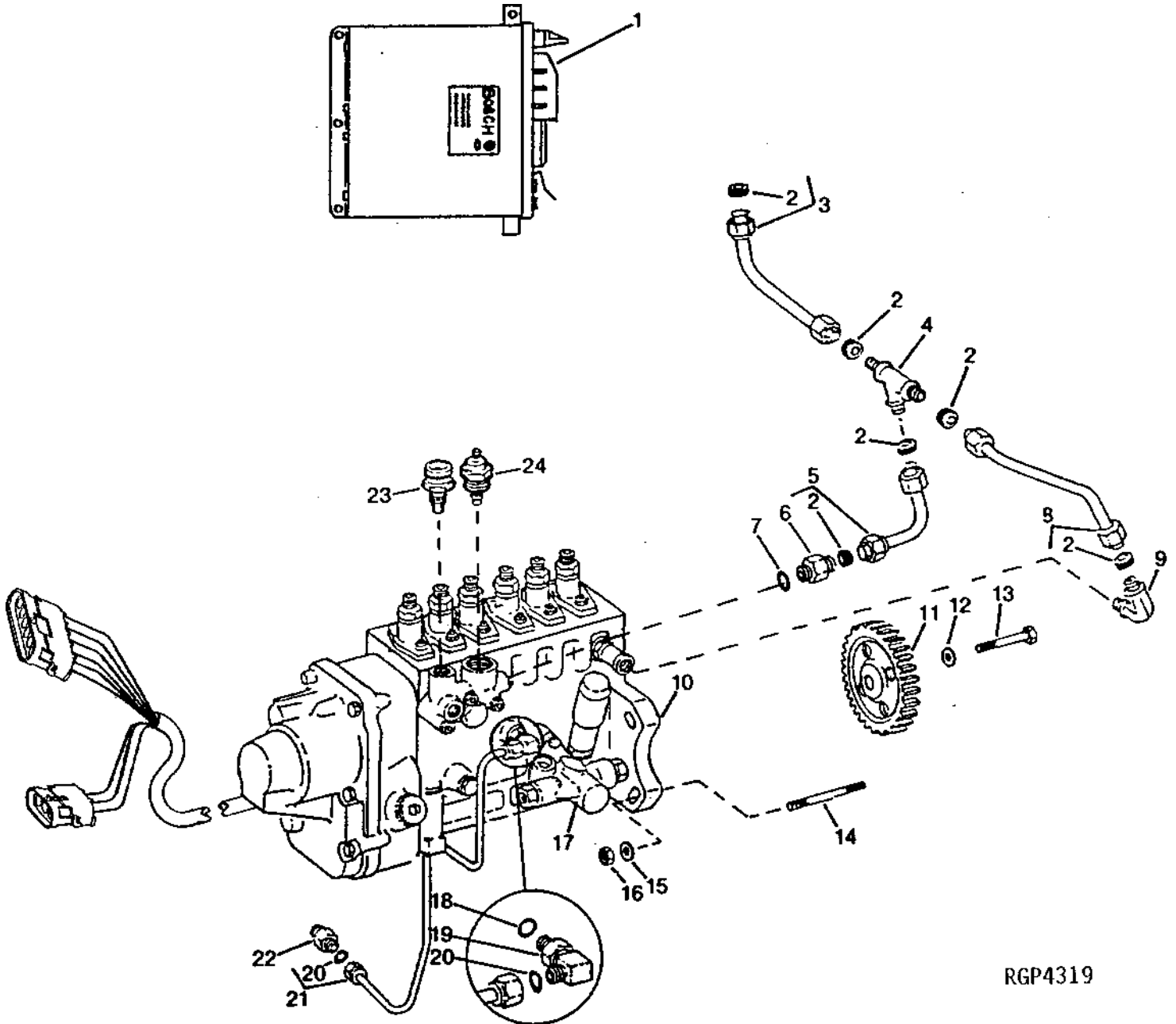
KEY	PART NO.	PART NAME	QTY	ENGINE SERIAL NO.	REMARKS
1	RE46802	ENGINE CONTROLLER	1		(MARKED RE34048 OR RE34049) (ROBERT BOSCH)
2	R83489	FITTING	1		
3	R51936	PACKING	6		
4	RE38871	FUEL LINE	1		
5	R97061	TEE FITTING	1		
6	RE35800	FUEL LINE	1		
7	RE35799	FUEL LINE	1		
8	R67364	ELBOW FITTING	1		
9	RE35284	SENDER	1		
10	R72853	CLAMP	1		
11	RE44518	FUEL INJECTION PUMP	1	(A) (DENSO)	
12	R104590	GEAR	1		
13	R63845	WASHER	4		
14	19H3690	CAP SCREW	4	3/8" X 3/4", (SUB R121195)	
	R121195	CAP SCREW	4		
15	R114130	STUD	4	(SUB FOR R55396, APPL)	
16	M72490	WASHER	4	(SUB FOR R42729)	
17	14H1090	NUT	4	(SUB FOR E55662, APPL.)	
18	RE48606	FUEL PUMP	1		
19	R76822	FITTING	1		
20	R67264	PACKING	1		
21	RE50140	OIL LINE	1		
22	AT32335	ELBOW FITTING	1		
23	R73858	O-RING	1		
24	R98502	RING	1		
25	RE34100	SOLENOID	1		
26	19H2038	CAP SCREW	1	3/8" X 1/2"	
27	24H1305	WASHER	1	13/32" X 13/16" X 0.065"	
28	T13814	CLAMP	1		
29	R53901	WASHER	1		

(A) "SEE YOUR AUTHORIZED PUMP REPAIR STATION FOR PARTS NOT LISTED."

2E18

6076 ENGINE (ENGINE SERIAL NUMBER 50000-)

FUEL INJECTION PUMP, LUBE LINE AND ENGINE CONTROLLER (6076HH031)
(ROBERT BOSCH)
(ENGINE SERIAL NO. 538146-565942) (95MM INJECTION PUMP BORE)
(LATE DESIGN BLOCK MARKED - R122736)
RGP4319 -UN-01JAN94



RGP4319

2E19

6076 ENGINE (ENGINE SERIAL NUMBER 500000-)

FUEL INJECTION PUMP, LUBE LINE AND ENGINE CONTROLLER (6076HH031) - CONTINUED
(ROBERT BOSCH)
(ENGINE SERIAL NUMBER 538146-565942) (95MM INJECTION PUMP BORE)
(LATE DESIGN BLOCK MARKED - R122736)

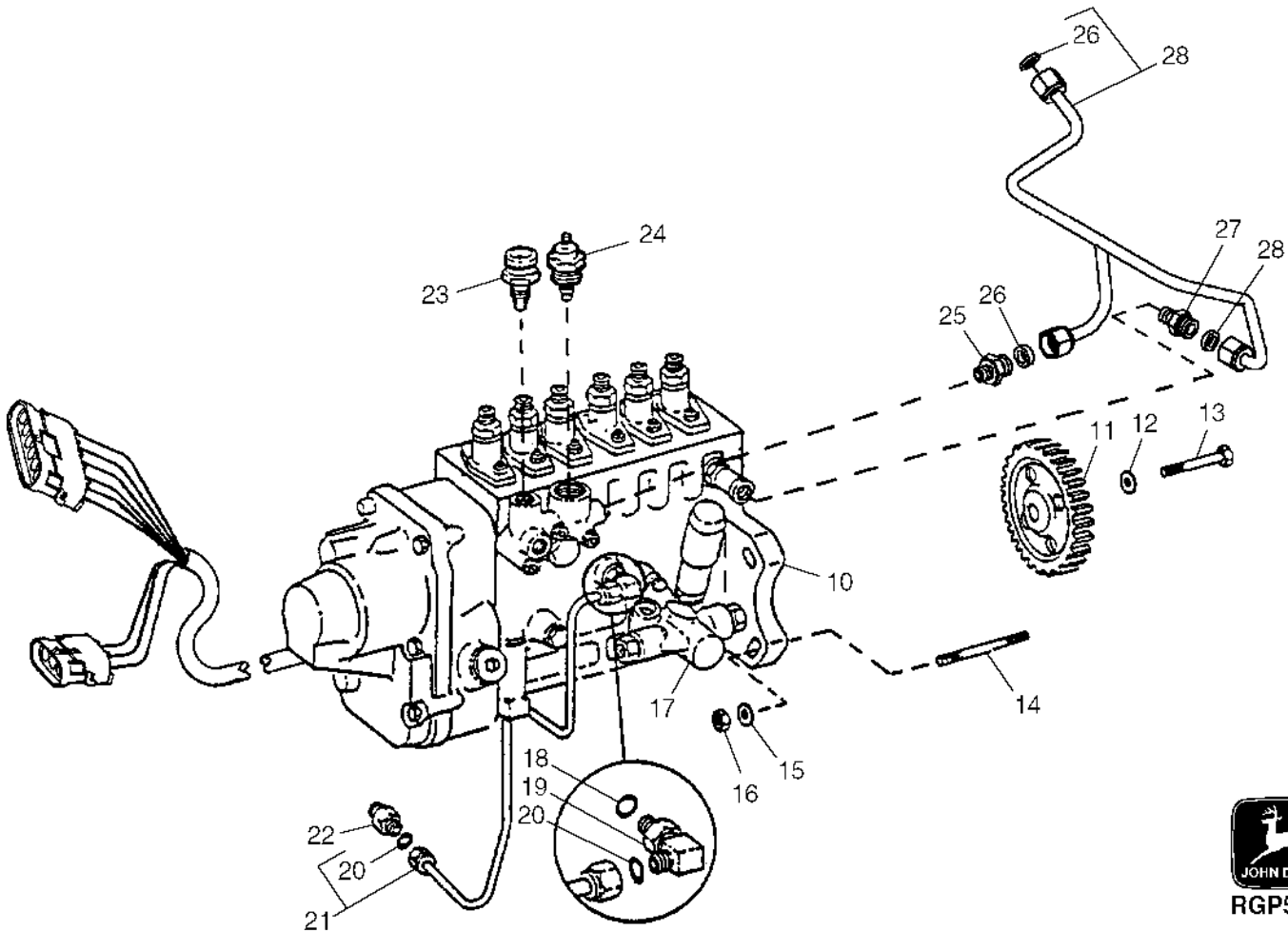
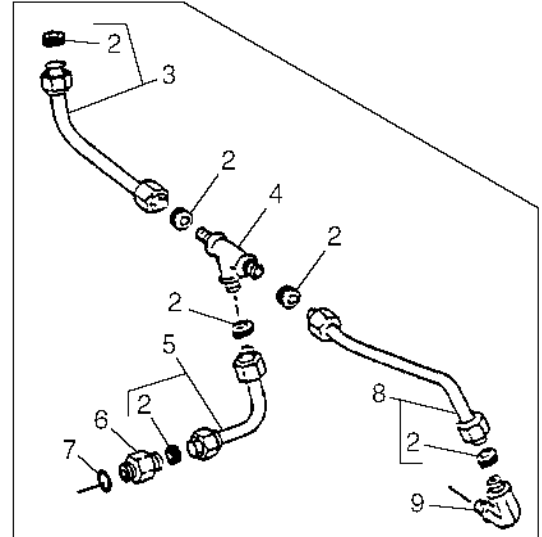
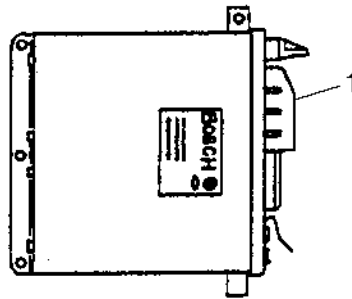
KEY	PART NO.	PART NAME	QTY	ENGINE SERIAL NO.	REMARKS
1	RE62898	ENGINE CONTROLLER	1	-565942	(MARKED RE28320) (SUB RE501828) (ROBERT BOSCH)
	RE501828	ENGINE CONTROLLER	1		(SUB RE502147 AND RE502125) (SUB FOR RE62898)
	RE502147	ENGINE CONTROLLER	1		(SUB FOR RE501828 AND RE62898) (ALSO ORDER RE502125) (MARKED RE502404)
2	R51936	PACKING	6		
3	RE30920	FUEL LINE	1		
4	R97061	TEE FITTING	1		
5	RE30833	FUEL LINE	1		
6	R91824	FITTING	1		
7	R48693	WASHER	1		
8	RE35684	FUEL LINE	1		
9	R67364	ELBOW FITTING	1		
10	RE57372	FUEL INJECTION PUMP	1		(A) (ROBERT BOSCH) (PES6P120A720RS3184) (SUB RE63514 AND RE34128, APPL)
	RE63514	FUEL INJECTION PUMP	1		(A) (ROBERT BOSCH) (SUB RE502259)
	RE502259	FUEL INJECTION PUMP	1		(A) (FOR HARVESTER APPLICATIONS, REUSE TRANSFER PUMP INLET ADJUSTABLE ELBOW FROM THE OLD PUMP OR ORDER RE34128 ELBOW.) (ALSO ORDER R121164, (4) R121195)
11	R104590	GEAR	1		
12	R63845	WASHER	4		
13	19H3690	CAP SCREW	4		3/8" X 3/4", (SUB R121195)
	R121195	CAP SCREW	4		
14	R114130	STUD	4		(SUB FOR R55396, APPL)
15	M72490	WASHER	4		
16	14H1090	NUT	4		(SUB FOR E55662, APPL)
17	RE46252	FUEL PUMP	1		
18	R73858	O-RING	1		
19	AR88903	ELBOW FITTING	1		
20	R67264	PACKING	2		
21	RE43369	OIL LINE	1		
22	R76822	FITTING	1		
23	RE28217	FUEL TEMPERATURE SENSOR	1		(TEMPERATURE)
	R98500	O-RING	1		
24	R89014	SOLENOID	1		(SHUT-OFF HOUSING)
	R99047	O-RING	1		
..	R53899	WASHER	1		
..	RE502125	KIT	1		MOUNTING BRACKET

(A) "SEE YOUR AUTHORIZED PUMP REPAIR STATION FOR PARTS NOT LISTED"

2E20

6076 ENGINE (ENGINE SERIAL NUMBER 500000-)

FUEL INJECTION PUMP, LUBE LINE AND ENGINE CONTROLLER (6076HH035)
(ROBERT BOSCH)
(ENGINE SERIAL NO. 565943-) (95MM INJECTION PUMP BORE)
(LATE DESIGN BLOCK MARKED - R122736)
RGP5313 -UN-13SEP99



FUEL INJECTION PUMP, LUBE LINE AND ENGINE CONTROLLER (6076HH035) - CONTINUED

(ROBERT BOSCH)

(ENGINE SERIAL NUMBER 565943-) (95MM INJECTION PUMP BORE)

(LATE DESIGN BLOCK MARKED - R122736)

KEY	PART NO.	PART NAME	QTY	ENGINE SERIAL NO.	REMARKS
1	RE66555	ENGINE CONTROLLER	1	565943-587620	(MARKED RE28320) (SUB RE501246) (ROBERT BOSCH)
	RE501246	ENGINE CONTROLLER	1		(SUB FOR RE66555) (SUB RE501711)
	RE501711	ENGINE CONTROLLER	1		(SUB RE501812) (SUB FOR RE501246 AND RE66555)
	RE501812	ENGINE CONTROLLER	1		(SUB RE501249 AND RE502125) (SUB FOR RE501711, RE501246 AND RE66555)
	RE501249	ENGINE CONTROLLER	1		(MARKED RE502404) (SUB FOR RE501812, RE501711, RE501246, RE66555 AND RE500110)
	RE500110	ENGINE CONTROLLER	1	587621-	(MARKED RE66614) (SUB RE501249) (FOCUS)
2	R51936	PACKING	6		-XXXXXX
3	RE30920	FUEL LINE	1		-XXXXXX
4	R97061	TEE FITTING	1		-XXXXXX
5	RE30833	FUEL LINE	1		-XXXXXX
6	R91824	FITTING	1		-XXXXXX
7	R48693	WASHER	1		-XXXXXX
8	RE35684	FUEL LINE	1		-XXXXXX
9	R67364	ELBOW FITTING	1		-XXXXXX
10	RE57372	FUEL INJECTION PUMP	1		(A) (ROBERT BOSCH) (PES6P120A720RS3184) (SUB RE63514 AND RE34128, APPL)
	RE63514	FUEL INJECTION PUMP	1		(A) (ROBERT BOSCH) (SUB RE502259)
	RE502259	FUEL INJECTION PUMP	1		(A) (FOR HARVESTER APPLICATIONS, REUSE TRANSFER PUMP INLET ADJUSTABLE ELBOW FROM THE OLD PUMP OR ORDER RE34128 ELBOW.) (ALSO ORDER R121164, (4) R121195)
11	R104590	GEAR	1		
12	R63845	WASHER	4		
13	19H3690	CAP SCREW	4		3/8" X 3/4", (SUB R121195)
	R121195	CAP SCREW	4		
14	R114130	STUD	4		(SUB FOR R55396, APPL)
15	M72490	WASHER	4		
16	14H1090	NUT	4		(SUB FOR E55662, APPL)
17	RE46252	FUEL PUMP	1		
18	R73858	O-RING	1		
19	AR88903	ELBOW FITTING	1		
20	R67264	PACKING	2		
21	RE43369	OIL LINE	1		
22	R76822	FITTING	1		
23	RE28217	FUEL TEMPERATURE SENSOR	1		(TEMPERATURE)
	R98500	O-RING	1		
24	R89014	SOLENOID	1		(SHUT-OFF HOUSING)
	R99047	O-RING	1		
25	RE67934	CONNECTOR	1	XXXXXX-	
26	R51936	PACKING	3	XXXXXX-	
27	R63604	FITTING	1	XXXXXX-	
28	RE66000	FUEL LINE	1	XXXXXX-XXXXXX	
	RE501262	FUEL LINE	1	XXXXXX-	(SUB RE504635)
	RE504635	FUEL LINE	1		(SUB FOR RE501262)
..	R53899	WASHER	1		
..	RE502125	KIT	1		MOUNTING BRACKET

(A) "SEE YOUR AUTHORIZED PUMP REPAIR STATION FOR PARTS NOT LISTED"

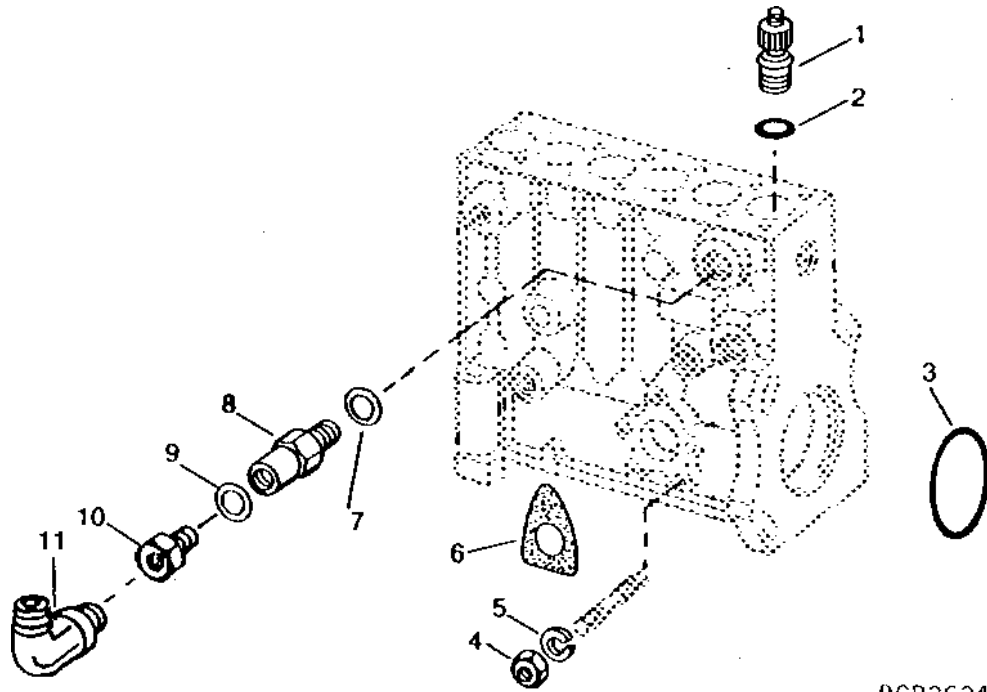
2E22

6076 ENGINE (ENGINE SERIAL NUMBER 500000-)

FUEL INJECTION PUMP HOUSING CONNECTORS (6076HH030, HH032, HH034, HH036)

(ENGINE SERIAL NO. 500000-)

RGP3634 -UN-01JAN94



RGP3634

KEY	PART NO.	PART NAME	QTY	ENGINE SERIAL NO.	REMARKS
1	R99531	HOLDER	6	(NLA)	
2	T24210	O-RING	6		
3	R53884	O-RING	1		
4	14M7272	NUT	3	M6	
5	12M7006	LOCK WASHER	3	6.100 MM	
6	R67879	GASKET	1		
7	R53899	WASHER	1		
8	RE36151	CONTROL VALVE	1		
9	R53901	WASHER	1		
10	R63016	ADAPTER	1		
11	R67364	ELBOW FITTING	1		

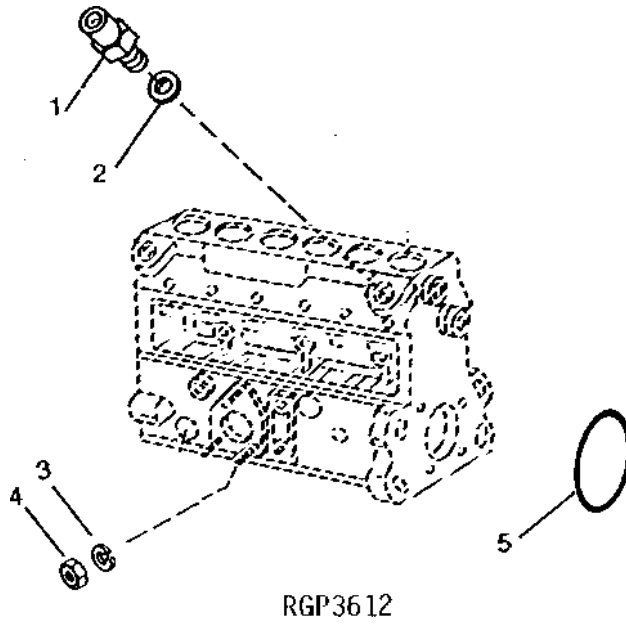
2E23

6076 ENGINE (ENGINE SERIAL NUMBER 500000-)

FUEL INJECTION PUMP HOUSING CONNECTORS (DENSO) (6076HH031)

(ENGINE SERIAL NO. 500000-538145)

RGP3612 -UN-01JAN94



KEY	PART NO.	PART NAME	QTY	ENGINE SERIAL NO.	REMARKS
1	RE10582	CONTROL VALVE	1		
2	R64857	WASHER	1		
3	12M7006	LOCK WASHER	3	6.100 MM	
4	14M7272	NUT	3	M6	
5	R73864	O-RING	1		

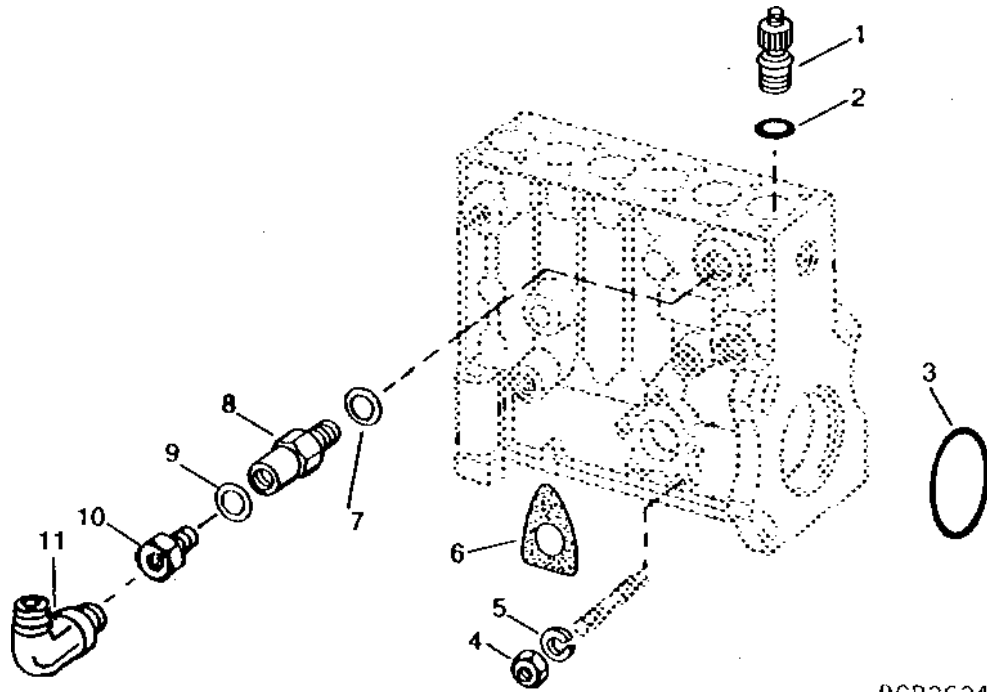
2E24

6076 ENGINE (ENGINE SERIAL NUMBER 50000-)

FUEL INJECTION PUMP HOUSING CONNECTORS (ROBERT BOSCH) (6076HH031, HH035)

(ENGINE SERIAL NO. 538146-)

RGP3634 -UN-01JAN94



RGP3634

KEY	PART NO.	PART NAME	QTY	ENGINE SERIAL NO.	REMARKS
1	R99531	HOLDER	6	(NLA)	
2	T24210	O-RING	6		
3	R53884	O-RING	1		
4	14M7272	NUT	3	M6	
5	12M7006	LOCK WASHER	3	6.100 MM	
6	R67879	GASKET	1		
7	R53901	WASHER	1		
8	RE36151	CONTROL VALVE	1		
9	R53899	WASHER	1		
10	R63016	ADAPTER	1		
11	R67364	ELBOW FITTING	1		

2E25

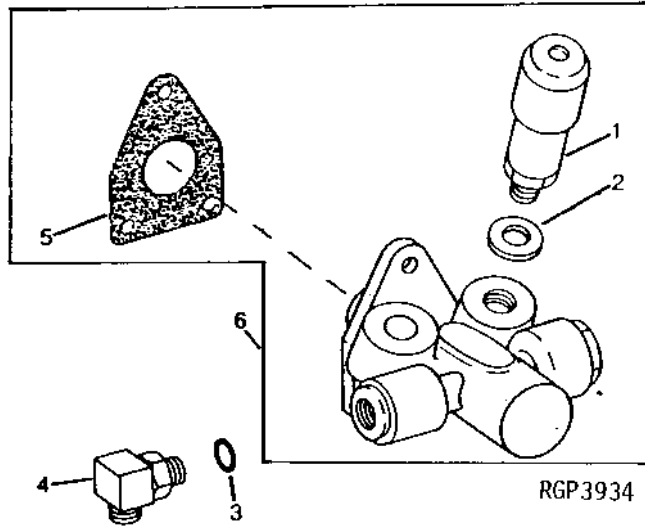
6076 ENGINE (ENGINE SERIAL NUMBER 500000-)

FUEL TRANSFER PUMP (6076HH030, HH032, HH034, HH036)

(ROBERT BOSCH)

(ENGINE SERIAL NO. 500000-)

RGP3934 -UN-01JAN94



KEY	PART NO.	PART NAME	QTY	ENGINE SERIAL NO.	REMARKS
1	RE48048	HAND PRIMER	1		
2	R54025	WASHER	2		
3	R26448	O-RING	2		
4	RE10258	ELBOW FITTING	1		(OUTLET) (SUB FOR RE10259)
	RE34128	ELBOW FITTING	1		(INLET)
5	R67879	GASKET	1		
6	RE46252	FUEL PUMP	1		

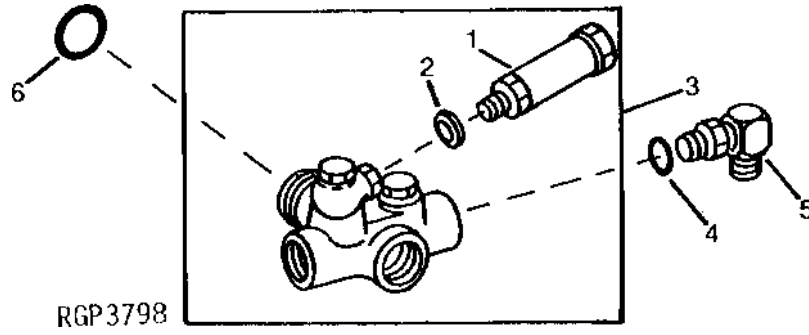
2F1

6076 ENGINE (ENGINE SERIAL NUMBER 500000-)

FUEL TRANSFER PUMP (DENSO) (6076HH031)

(ENGINE SERIAL NO. 500000-538145)

RGP3798 -UN-01JAN94

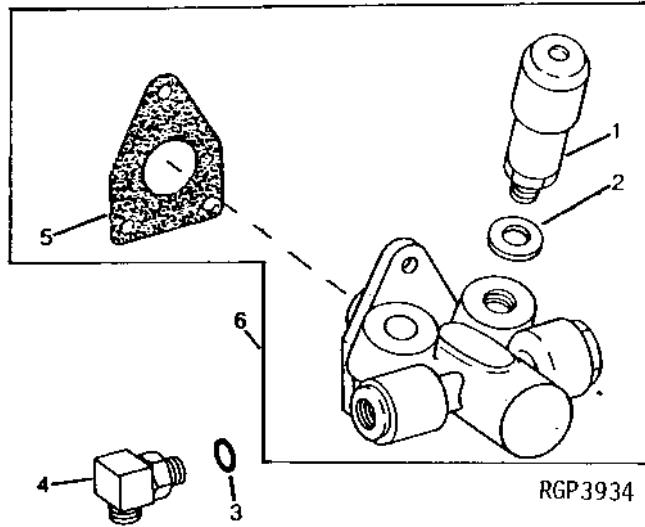


KEY	PART NO.	PART NAME	QTY	ENGINE SERIAL NO.	REMARKS
1	AR81825	HAND PRIMER	1		
2	R64854	WASHER	2		
3	RE48606	FUEL PUMP	1		
4	R26448	O-RING	2		
5	RE10258	ELBOW FITTING	1	(OUTLET)	
	RE34128	ELBOW FITTING	1	(INLET)	
6	R64927	O-RING	1		

2F2

6076 ENGINE (ENGINE SERIAL NUMBER 50000-)

FUEL TRANSFER PUMP (6076HH031)
 (ROBERT BOSCH)
 (ENGINE SERIAL NO. 538146-)
 RGP3934 -UN-01JAN94

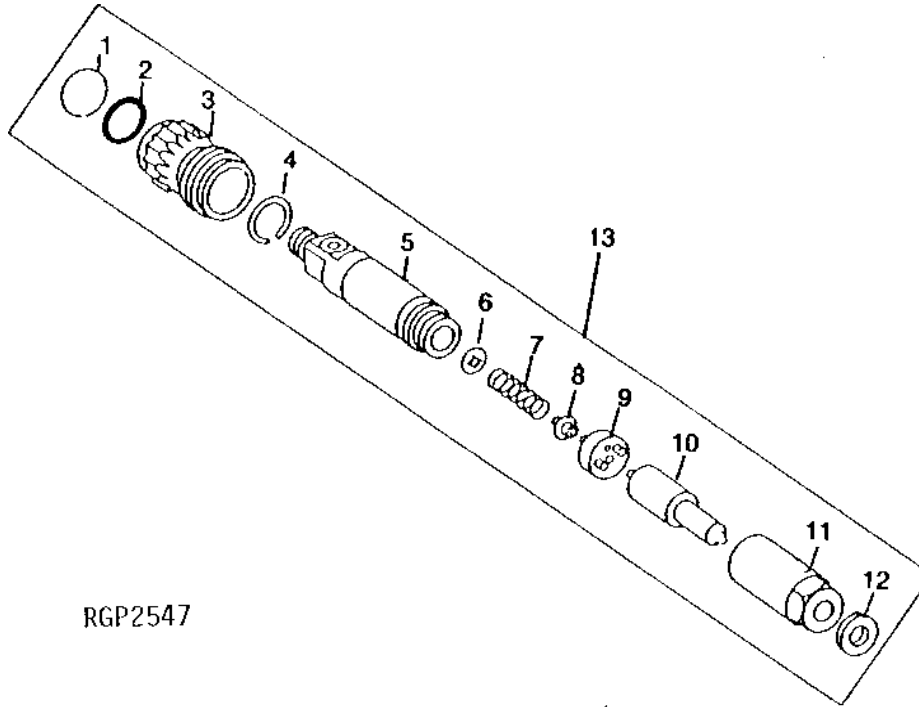


KEY	PART NO.	PART NAME	QTY	ENGINE SERIAL NO.	REMARKS
1	RE48048	HAND PRIMER	1		
2	R54025	WASHER	2		
3	R26448	O-RING	2		
4	RE10258	ELBOW FITTING	1		(OUTLET)
	RE34128	ELBOW FITTING	1		(INLET)
5	R67879	GASKET	1		
6	RE46252	FUEL PUMP	1		

2F3

6076 ENGINE (ENGINE SERIAL NUMBER 500000-)

FUEL INJECTION NOZZLE (6076HH031)
(ROBERT BOSCH)
(ENGINE SERIAL NO. 500000-538145)
 RGP2547 -UN-01JAN94

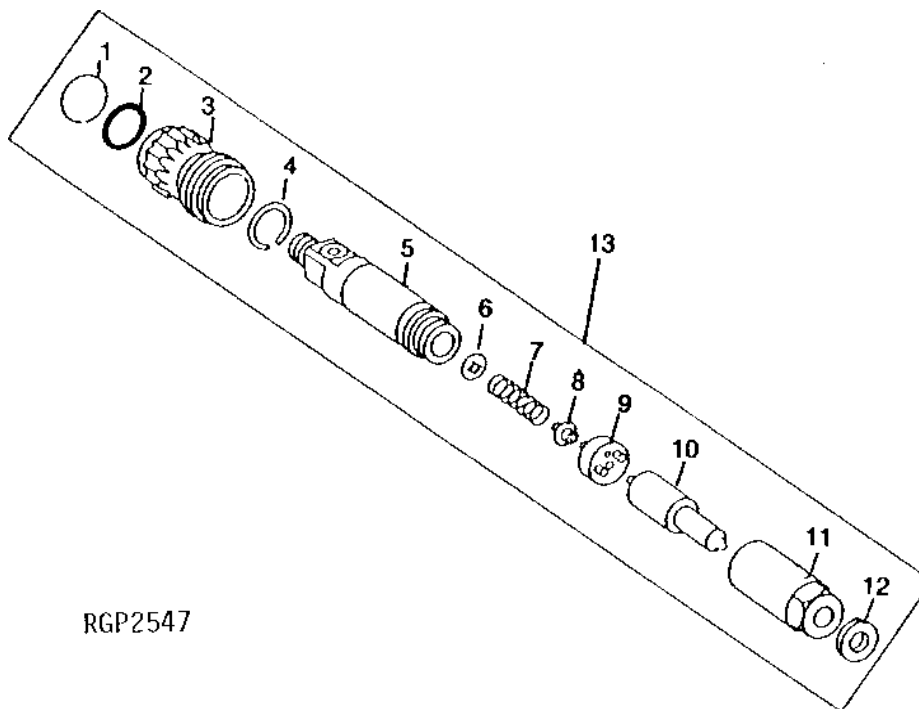


KEY	PART NO.	PART NAME	QTY	ENGINE SERIAL NO.	REMARKS
1	R60277	SNAP RING	1		
2	R51603	O-RING	1		
3	R60279	NUT	1		
4	R60278	SNAP RING	1		
5	R60272	NOZZLE HOLDER	1	(SUB RE46364)	
6	R83720	WASHER	1	1.02 MM (.0402")	
	R83721	WASHER	1	1.08 MM (.0425")	
	R83722	WASHER	1	1.12 MM (.0441")	
	R83723	WASHER	1	1.18 MM (.0465")	
	R83724	WASHER	1	1.22 MM (.0480")	
	R83725	WASHER	1	1.28 MM (.0504")	
	R83726	WASHER	1	1.30 MM (.0512")	
	R83727	WASHER	1	1.38 MM (.0543")	
	R83728	WASHER	1	1.42 MM (.0559")	
	R83729	WASHER	1	1.48 MM (.0583")	
	R83730	WASHER	1	1.50 MM (.0591")	
	R83731	WASHER	1	1.58 MM (.0622")	
	R83732	WASHER	1	1.60 MM (.0630")	
	R83733	WASHER	1	1.68 MM (.0661")	
	R83734	WASHER	1	1.70 MM (.0669")	
	R83735	WASHER	1	1.78 MM (.0701")	
	R83736	WASHER	1	1.82 MM (.0717")	
	R83737	WASHER	1	1.88 MM (.0740")	
	R83738	WASHER	1	1.90 MM (.0748")	
	R83739	WASHER	1	1.98 MM (.0780")	
7	R108699	SPRING	1		
8	R108700	SEAT	1		
9	R108701	PLATE	1		
10	RE30973	NOZZLE	1	(7 X 0.24)	
11	R108702	NUT	1		
12	R84472	WASHER	1		
13	RE46364	INJECTION NOZZLE	6	(ROBERT BOSCH)	

2F4

6076 ENGINE (ENGINE SERIAL NUMBER 50000-)

**FUEL INJECTION NOZZLE
(STANADYNE)
(6076HH031)
RGP2547 -UN-01JAN94**



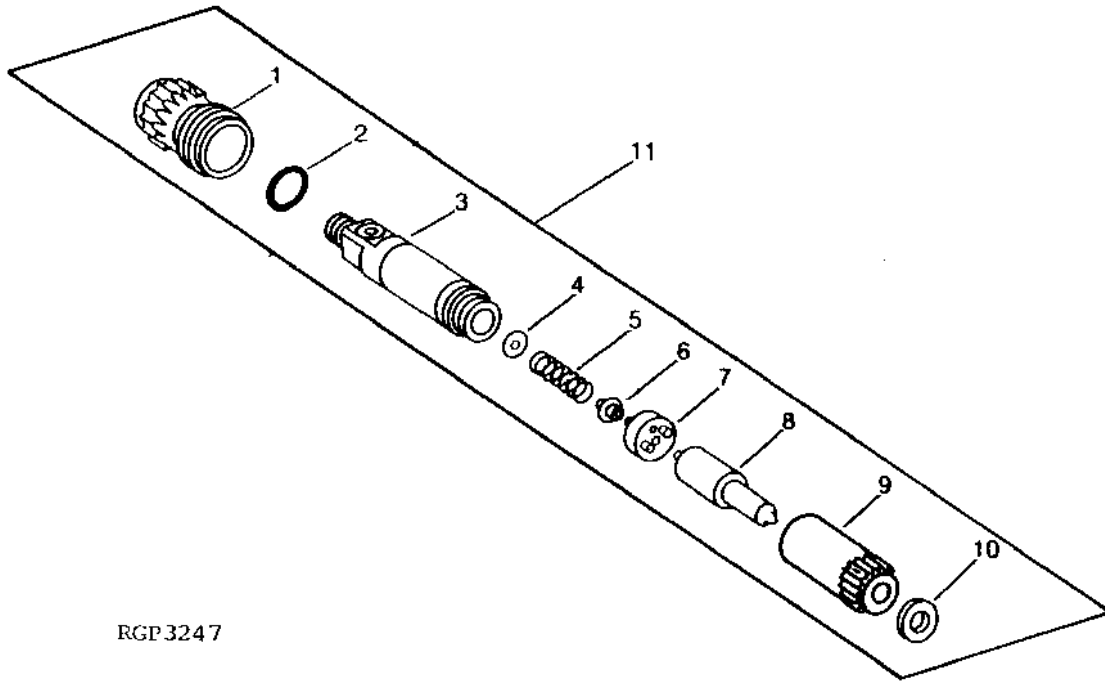
RGP2547

KEY	PART NO.	PART NAME	QTY	ENGINE SERIAL NO.	REMARKS
1	R121044	SNAP RING	1	(NLA)	
2	R121045	O-RING	1	(NLA)	
3	R121046	NUT	1	(NLA)	
4	R121047	SNAP RING	1	(NLA)	
5	R121048	NOZZLE HOLDER	1	(NLA)	
6	R121053	SHIM	AR	(NLA) 1.00 MM (.0393")	
	R121054	SHIM	AR	(NLA) 1.05 MM (.0413")	
	R121055	SHIM	AR	(NLA) 1.10 MM (.0433")	
	R121056	SHIM	AR	(NLA) 1.15 MM (.0452")	
	R121057	SHIM	AR	(NLA) 1.20 MM (.0472")	
	R121058	SHIM	AR	(NLA) 1.25 MM (.0492")	
	R121059	SHIM	AR	(NLA) 1.30 MM (.0512")	
	R121060	SHIM	AR	(NLA) 1.35 MM (.0531")	
	R121061	SHIM	AR	(NLA) 1.40 MM (.0551")	
	R121062	SHIM	AR	(NLA) 1.45 MM (.0571")	
	R121063	SHIM	AR	(NLA) 1.50 MM (.0591")	
	R121064	SHIM	AR	(NLA) 1.55 MM (.0610")	
	R121065	SHIM	AR	(NLA) 1.60 MM (.0630")	
	R121066	SHIM	AR	(NLA) 1.65 MM (.0650")	
	R121067	SHIM	AR	(NLA) 1.70 MM (.0669")	
	R121068	SHIM	AR	(NLA) 1.75 MM (.0699")	
	R121069	SHIM	AR	(NLA) 1.80 MM (.0709")	
	R121070	SHIM	AR	(NLA) 1.85 MM (.0728")	
	R121071	SHIM	AR	(NLA) 1.90 MM (.0748")	
	R121072	SHIM	AR	(NLA) 1.95 MM (.0768")	
	R121073	SHIM	AR	(NLA) 2.00 MM (.0787")	
7	R122483	SPRING	1	(NLA)	
8	R121050	PLATE	1	(NLA)	
9	RE56740	PLATE	1	(NLA)	(INTERMEDIATE)
	R121051	DOWEL PIN	2	(NLA)	(LOCATING)
10	RE55970	INJECTION NOZZLE	1	(NLA)	(7 X .235)
11	R121052	NUT	1	(NLA)	
12	R84472	WASHER	1		
13	RE55971	INJECTION NOZZLE	6		(SUB RE46364)

2F5

6076 ENGINE (ENGINE SERIAL NUMBER 50000-)

FUEL INJECTION NOZZLE (6076HH031, HH035)
(DENSO)
(ENGINE SERIAL NO. 538146-)
RGP3247 -UN-01JAN94



RGP3247

2F6

6076 ENGINE (ENGINE SERIAL NUMBER 500000-)

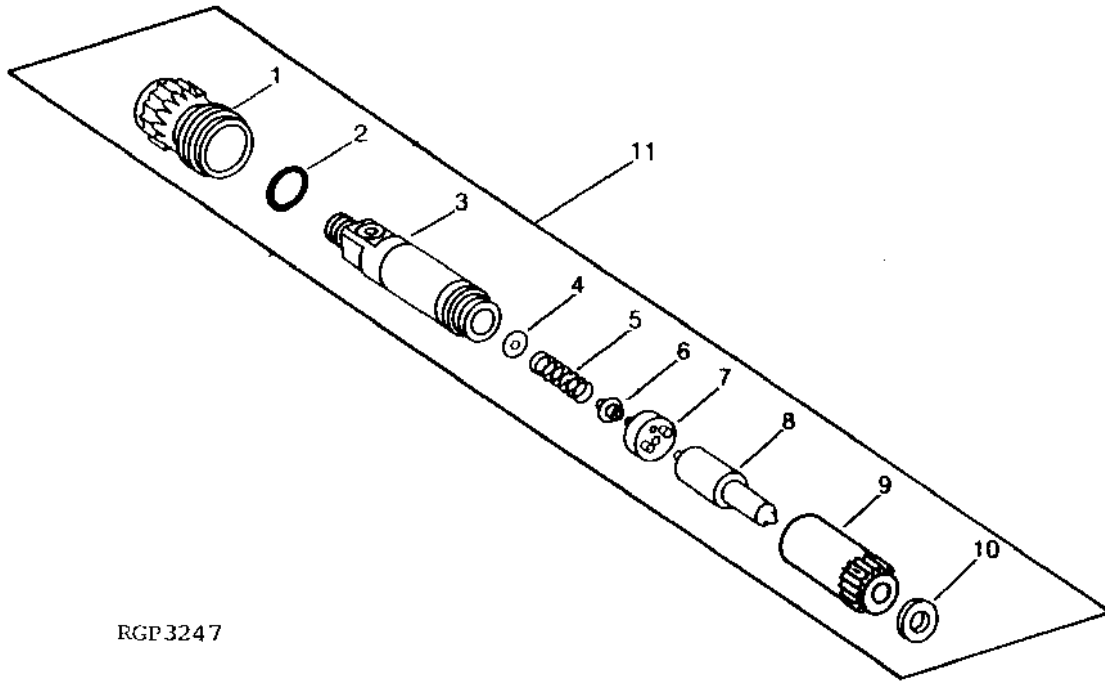
**FUEL INJECTION NOZZLE (6076HH030, HH032, HH034, OR HH036) - CONTINUED
(DENSO)
(ENGINE SERIAL NO. 500000-)**

KEY	PART NO.	PART NAME	QTY	ENGINE SERIAL NO.	REMARKS
1	R68035	NUT	1		
2	R69089	O-RING	1		
3	R94400	NOZZLE HOLDER	1	-505555	
	R115369	NOZZLE HOLDER	1	505556-	
4	R68036	SHIM	AR		0.70MM (.028")
	R90544	SHIM	AR		0.725MM (.0285")
	R68037	SHIM	AR		0.75MM (.030")
	R90543	WASHER	AR		0.775MM (.0305")
	R68038	WASHER	AR		0.80MM (.032")
	R90542	WASHER	AR		0.825MM (.0324")
	R68039	WASHER	AR		0.85MM (.034")
	R90541	WASHER	AR		0.875MM (.0344")
	R68040	WASHER	AR		0.90MM (.035")
	R90540	WASHER	AR		0.925MM (.0364")
	R68041	WASHER	AR		0.95MM (.037")
	R90539	WASHER	AR		0.0975MM (.0383")
	R68042	WASHER	AR		1.00MM (.039")
	R90538	WASHER	AR		1.025MM (.0403")
	R68043	WASHER	AR		1.05MM (.041")
	R90537	WASHER	AR		1.075MM (.0423")
	R68044	WASHER	AR		1.10MM (.043")
	R90536	WASHER	AR		1.125MM (.0443")
	R68045	WASHER	AR		1.15MM (.045")
	R90535	WASHER	AR		1.175MM (.0462")
	R68046	WASHER	AR		1.20MM (.047")
	R90534	WASHER	AR		1.225MM (.0482")
	R68047	WASHER	AR		1.25MM (.049")
	R90533	WASHER	AR		1.275MM (.0502")
	R68048	WASHER	AR		1.30MM (.051")
	R90532	WASHER	AR		1.325MM (.0522")
	R68049	WASHER	AR		1.35MM (.053")
	R90531	WASHER	AR		1.375MM (.0541")
	R68050	WASHER	AR		1.40MM (.055")
	R90530	WASHER	AR		1.425MM (.0561")
	R68051	WASHER	AR		1.45MM (.057")
	R90529	WASHER	AR		1.475MM (.0580")
	R68052	WASHER	AR		1.50MM (.059")
5	R68053	SPRING	1	-505555	(SUB R115368 AND R115369, APPL)
	R115368	SPRING	1	505556-	
6	R94410	SEAT	1		
7	R94412	PLATE	1		
8	RE29179	INJECTION NOZZLE	1	-505555	(7 X 0.255) (SUB RE52114)
	RE52114	INJECTION NOZZLE	1	505556-	(7 X 0.255)
9	R94414	NUT	1		
10	R84472	WASHER	1		
11	RE25253	INJECTION NOZZLE	6		(DENSO) (SUB RE52113 AND R84472)
	RE52113	INJECTION NOZZLE	6		
	R84472	WASHER	6		

2F7

6076 ENGINE (ENGINE SERIAL NUMBER 500000-)

FUEL INJECTION NOZZLE - (6076HH030, HH032, HH034, OR HH036)
(DENSO)
(ENGINE SERIAL NO. 500000-)
RGP3247 -UN-01JAN94



RGP3247

2F8

6076 ENGINE (ENGINE SERIAL NUMBER 500000-)

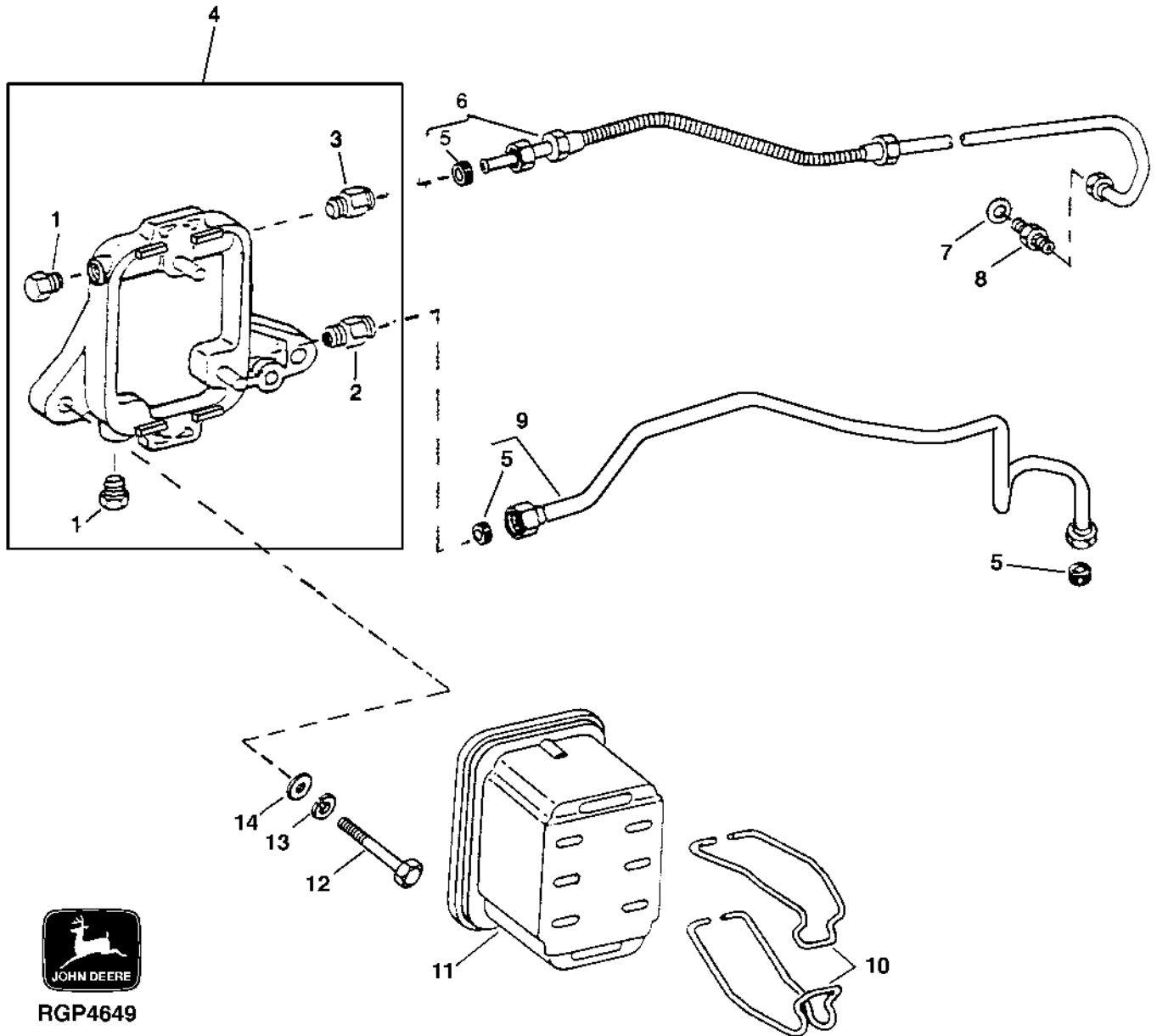
FUEL INJECTION NOZZLE - CONTINUED
(DENSO)
(ENGINE SERIAL NO. 500000-)

KEY	PART NO.	PART NAME	QTY	ENGINE SERIAL NO.	REMARKS
1	R68035	NUT	1		
2	R69089	O-RING	1		
3	R94400	NOZZLE HOLDER	1	-505555	
4	R115369	NOZZLE HOLDER	1	505556-	
	R68036	SHIM	AR		0.70MM (.028")
	R90544	SHIM	AR		0.725MM (.0285")
	R68037	SHIM	AR		0.75MM (.030")
	R90543	WASHER	AR		0.775MM (.0305")
	R68038	WASHER	AR		0.80MM (.032")
	R90542	WASHER	AR		0.825MM (.0324")
	R68039	WASHER	AR		0.85MM (.034")
	R90541	WASHER	AR		0.875MM (.0344")
	R68040	WASHER	AR		0.90MM (.035")
	R90540	WASHER	AR		0.925MM (.0364")
	R68041	WASHER	AR		0.95MM (.037")
	R90539	WASHER	AR		0.0975MM (.0383")
	R68042	WASHER	AR		1.00MM (.039")
	R90538	WASHER	AR		1.025MM (.0403")
	R68043	WASHER	AR		1.05MM (.041")
	R90537	WASHER	AR		1.075MM (.0423")
	R68044	WASHER	AR		1.10MM (.043")
	R90536	WASHER	AR		1.125MM (.0443")
	R68045	WASHER	AR		1.15MM (.045")
	R90535	WASHER	AR		1.175MM (.0462")
	R68046	WASHER	AR		1.20MM (.047")
	R90534	WASHER	AR		1.225MM (.0482")
	R68047	WASHER	AR		1.25MM (.049")
	R90533	WASHER	AR		1.275MM (.0502")
	R68048	WASHER	AR		1.30MM (.051")
	R90532	WASHER	AR		1.325MM (.0522")
	R68049	WASHER	AR		1.35MM (.053")
	R90531	WASHER	AR		1.375MM (.0541")
	R68050	WASHER	AR		1.40MM (.055")
	R90530	WASHER	AR		1.425MM (.0561")
	R68051	WASHER	AR		1.45MM (.057")
	R90529	WASHER	AR		1.475MM (.0580")
	R68052	WASHER	AR		1.50MM (.059")
5	R68053	SPRING	1	-505555	(SUB R115368 AND R115369, APPL)
	R115368	SPRING	1	505556-	
6	R94410	SEAT	1		
7	R94412	PLATE	1		
8	RE29179	INJECTION NOZZLE	1	-505555	(7 X 0.255) (SUB RE52114)
	RE52114	INJECTION NOZZLE	1	505556-	(7 X 0.255)
9	R94414	NUT	1		
10	R84472	WASHER	1		
11	RE25253	INJECTION NOZZLE	6		(DENSO) (SUB RE52113 AND R84472)
	RE52113	INJECTION NOZZLE	6		
	R84472	WASHER	6		

2F9

6076 ENGINE (ENGINE SERIAL NUMBER 500000-)

FUEL FILTER AND LINES (HH030, HH032, HH034, HH036)
(ENGINE SERIAL NO. 500000-)
RGP4649 -UN-04APR96



RGP4649

2F10

6076 ENGINE (ENGINE SERIAL NUMBER 500000-)

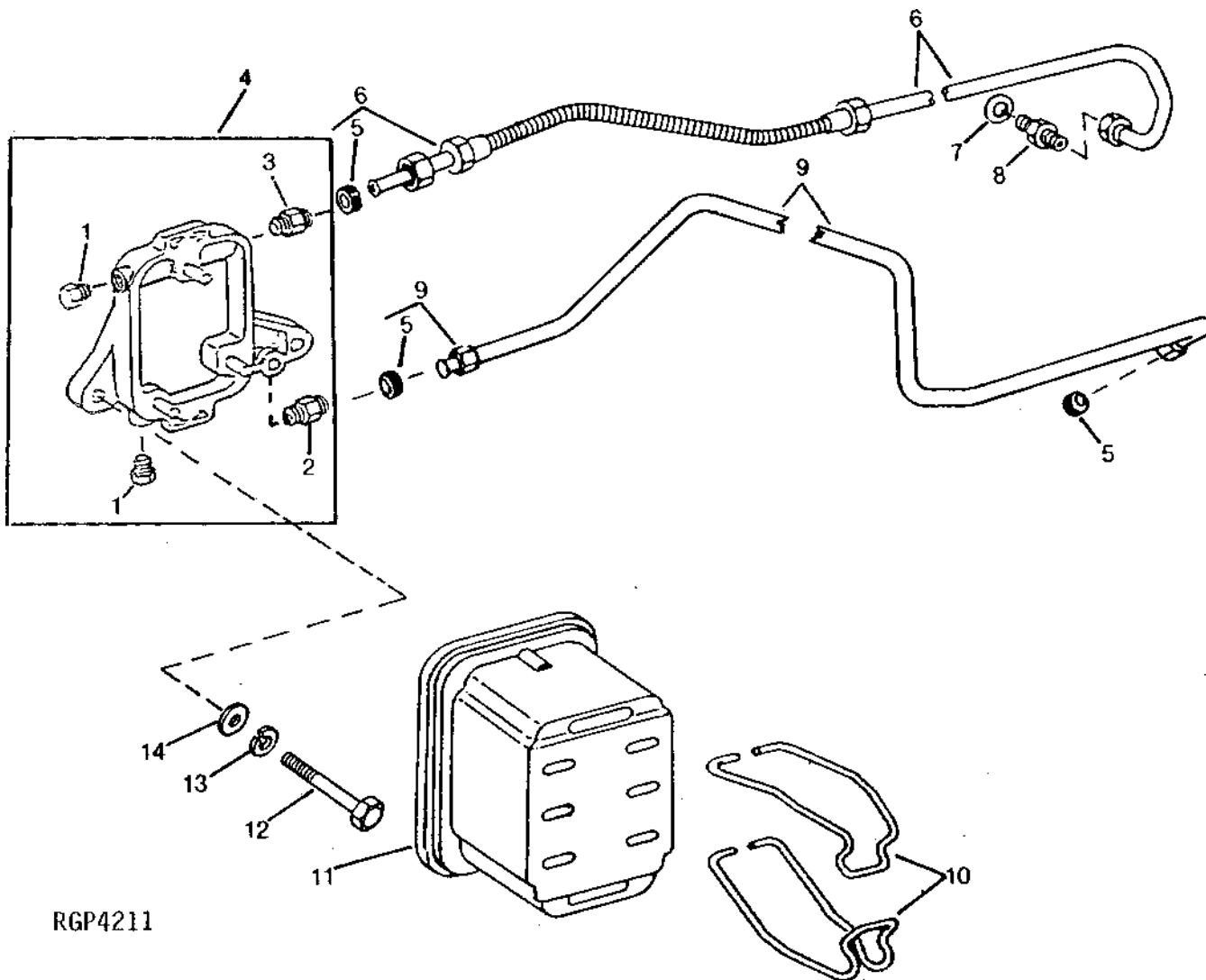
**FUEL FILTER AND LINES (6076HH030, HH032, HH034, HH036) - CONTINUED
(ENGINE SERIAL NO. 500000-)**

KEY	PART NO.	PART NAME	QTY	ENGINE SERIAL NO.	REMARKS
1	R119223	PLUG	2		
2	RE54244	CHECK VALVE	1		
3	RE54245	FITTING	1		
4	RE47501	BASE	1		
5	R67092	SEAL	3		
6	RE47635	FUEL LINE	1	-538049	(SUB RE63090, APPL)
	RE63090	FUEL LINE	1	538050-	
7	R93008	WASHER	1		
8	R83489	FITTING	1		
9	RE47850	FUEL LINE	1		
10	R89927	CLAMP	2		
11	RE27091	FUEL FILTER	1		
12	19H3104	CAP SCREW	2		7/16" X 1-1/4"
13	12H293	LOCK WASHER	2		7/16", (NO LONGER REQUIRED WITH 19H3104)
14	24H1325	WASHER	2		15/32" X 59/64" X 0.065"

2F11

6076 ENGINE (ENGINE SERIAL NUMBER 500000-)

FUEL FILTER AND LINES (6076HH031, HH035)
(ENGINE SERIAL NO. 500000-)
RGP4211 -UN-01JAN94



RGP4211

2F12

6076 ENGINE (ENGINE SERIAL NUMBER 500000-)

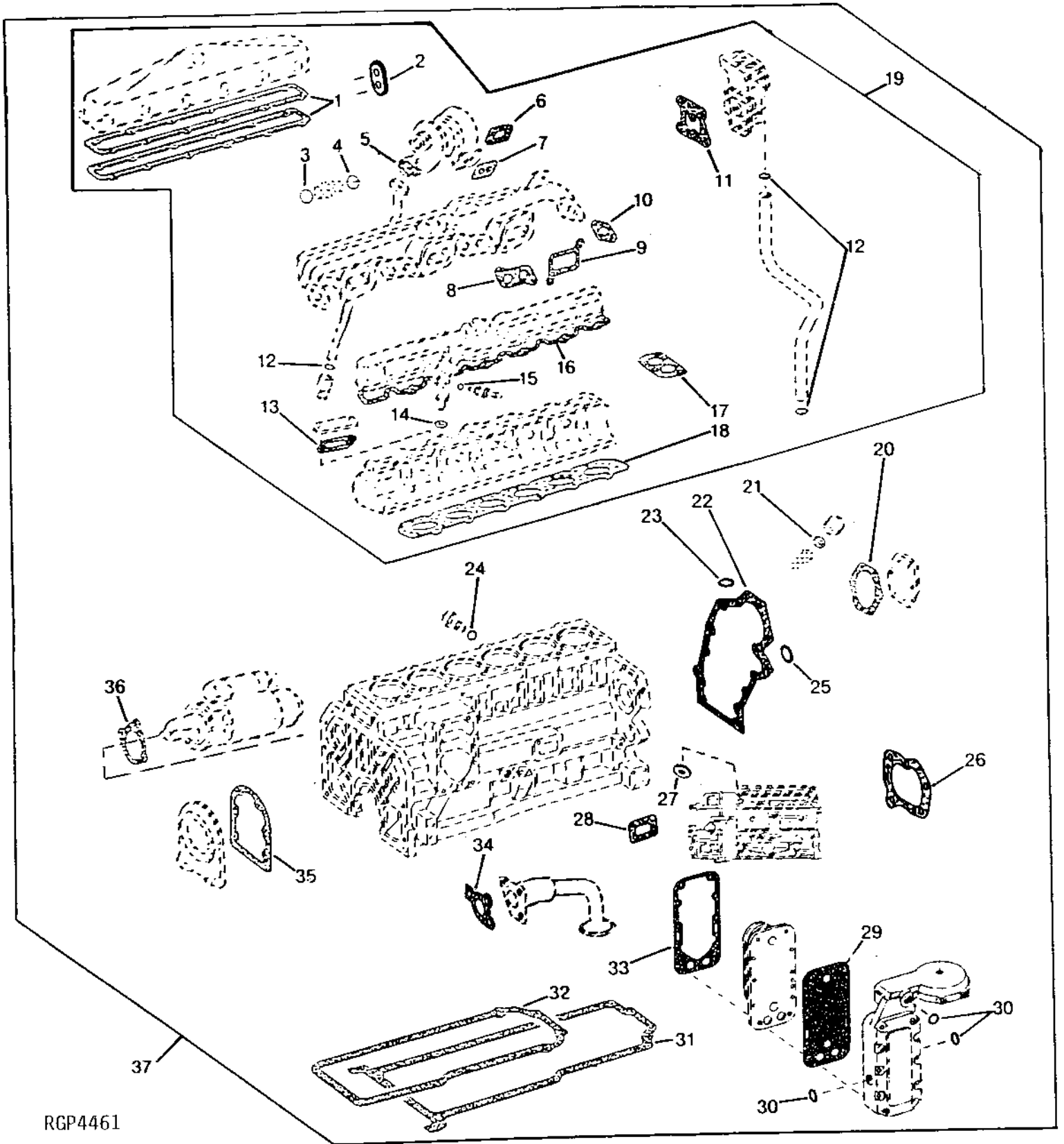
**FUEL FILTER AND LINES (6076HH031, HH035) - CONTINUED
(ENGINE SERIAL NO. 500000-)**

KEY	PART NO.	PART NAME	QTY	ENGINE SERIAL NO.	REMARKS
1	R119223	PLUG	2		
2	RE54244	CHECK VALVE	1		
3	RE54245	FITTING	1		
4	RE47501	BASE	1		
5	R67092	SEAL	3		
6	RE47044	FUEL LINE	1	-500149	(SUB RE63090, APPL)
	RE47635	FUEL LINE	1	500150-538049	(SUB RE63090, APPL)
	RE63090	FUEL LINE	1	538050-	
7	R93008	WASHER	1		
8	R83489	FITTING	1		
9	RE48051	FUEL LINE	1		
10	R89927	CLAMP	2		
11	RE27091	FUEL FILTER	1		
12	19H3104	CAP SCREW	2		7/16" X 1-1/4"
13	12H293	LOCK WASHER	2		7/16", (NO LONGER REQUIRED WITH 19H3104)
14	24H1325	WASHER	2		15/32" X 59/64" X 0.065"

2F13

6076 ENGINE (ENGINE SERIAL NUMBER 500000-)

ENGINE GASKET KITS
(ENGINE SERIAL NO. 500000-)
RGP4461 -UN-16MAR95



RGP4461

2F14

6076 ENGINE (ENGINE SERIAL NUMBER 500000-)

ENGINE GASKET KITS - CONTINUED
(ENGINE SERIAL NO. 500000-)

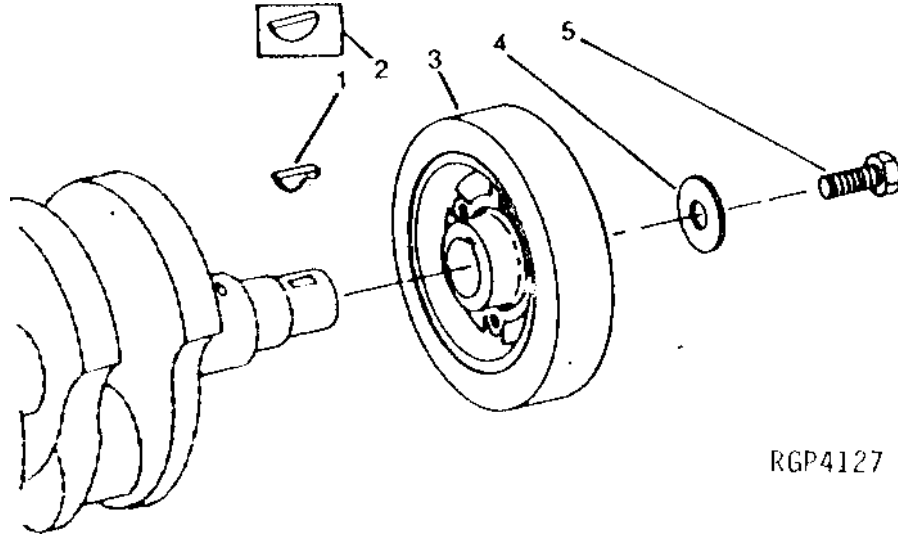
KEY	PART NO.	PART NAME	QTY	ENGINE SERIAL NO.	REMARKS
1	R88993	GASKET	2	(A)	
2	R100911	SEAL	1	(A)	
3	R50405	O-RING	1	(A)	
4	R86743	O-RING	1		
5	R105346	GASKET	1		
6	R92097	GASKET	1		
7	R89879	GASKET	1		
8	R83020	GASKET	2		
9	R120646	GASKET	3		(SUB FOR R102838, APPL)
10	R83021	GASKET	2		
11	R86062	GASKET	1		
12	R72328	O-RING	3		
13	R88397	GASKET	2		
14	R84472	WASHER	6		
	R51603	O-RING	6		(ROBERT BOSCH)
15	R77551	O-RING	6		
16	R49866	GASKET	1		
17	R46479	GASKET	1		
18	RE47336	ENGINE CYLINDER HEAD GASKET	1		
19	RG22248	GASKET KIT	1		CYLINDER HEAD, (SUB FOR RE29859) (SUB RG27884)
	RG27884	GASKET KIT	1		
20	R99464	GASKET	1		
21	T20328	GASKET	1		
22	R104623	GASKET	1		
23	R79915	O-RING	1		
24	U13639	O-RING	1		
25	R101042	O-RING	1		
26	R100367	GASKET	1		
27	R53899	WASHER	1		(USE WITH R83490)
	R53901	WASHER	1		(USE WITH R83489)
28	R96616	GASKET	1		
29	R94619	GASKET	1	-547515	(SUB R128558)
	R128558	GASKET	1	547516-	(SUB FOR R94619)
30	U17409	O-RING	3		
31	R71918	GASKET	1		(A) (CAST IRON OIL PAN)
32	R49377	GASKET	1		(ALUMINUM OIL PAN)
33	R94618	GASKET	1	-547515	(SUB R128557)
	R128557	GASKET	1	547451-	(SUB FOR R94618)
34	R100569	GASKET	1		
35	R26058	GASKET	1		
36	R53108	GASKET	1		
37	RE64206	GASKET KIT	1		ENGINE REBUILD, (SUB FOR RE42151)

(A) - USED WITH AFTERCOOLED ENGINES ONLY.

2F15

6076 ENGINE (ENGINE SERIAL NUMBER 500000-)

CRANKSHAFT DAMPER
 (ENGINE SERIAL NO. 500000-)
 RGP4127 -UN-01JAN94



KEY	PART NO.	PART NAME	QTY	ENGINE SERIAL NO.	REMARKS
1	R116311	KEY	1	509680-	(USE WITH RE53199)
2	26H85	SHAFT KEY	1	-509679	1/4" X 1", (USE WITH RE41821)
3	RE24975	TORSIONAL DAMPENER	1		(B)
	RE24975	TORSIONAL DAMPENER	1	-500035	(A)
	RE48454	TORSIONAL DAMPENER	1	500036-	(A)
4	R26333	WASHER	1		16.662 X 57.150 X 9.525 MM (21/32" X 2-1/4" X 3/8")
5	R79846	CAP SCREW	1		15.875 X 50.800 MM (5/8" X 2")

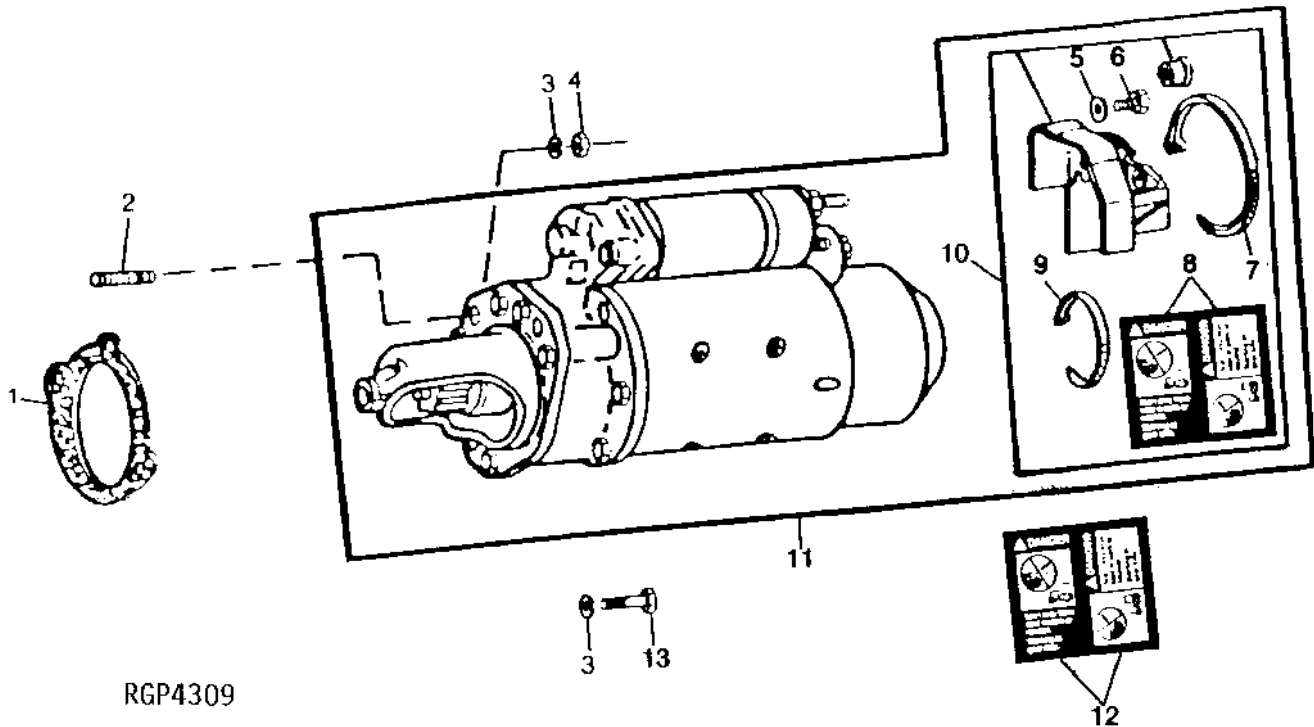
(A) HH030, HH032, HH034, HH036

(B) HH031, HH035

2F16

6076 ENGINE (ENGINE SERIAL NUMBER 500000-)

STARTING MOTOR (12V F4)
(DENSO)
(ENGINE SERIAL NO. 500000-)
RGP4309 -UN-14SEP95



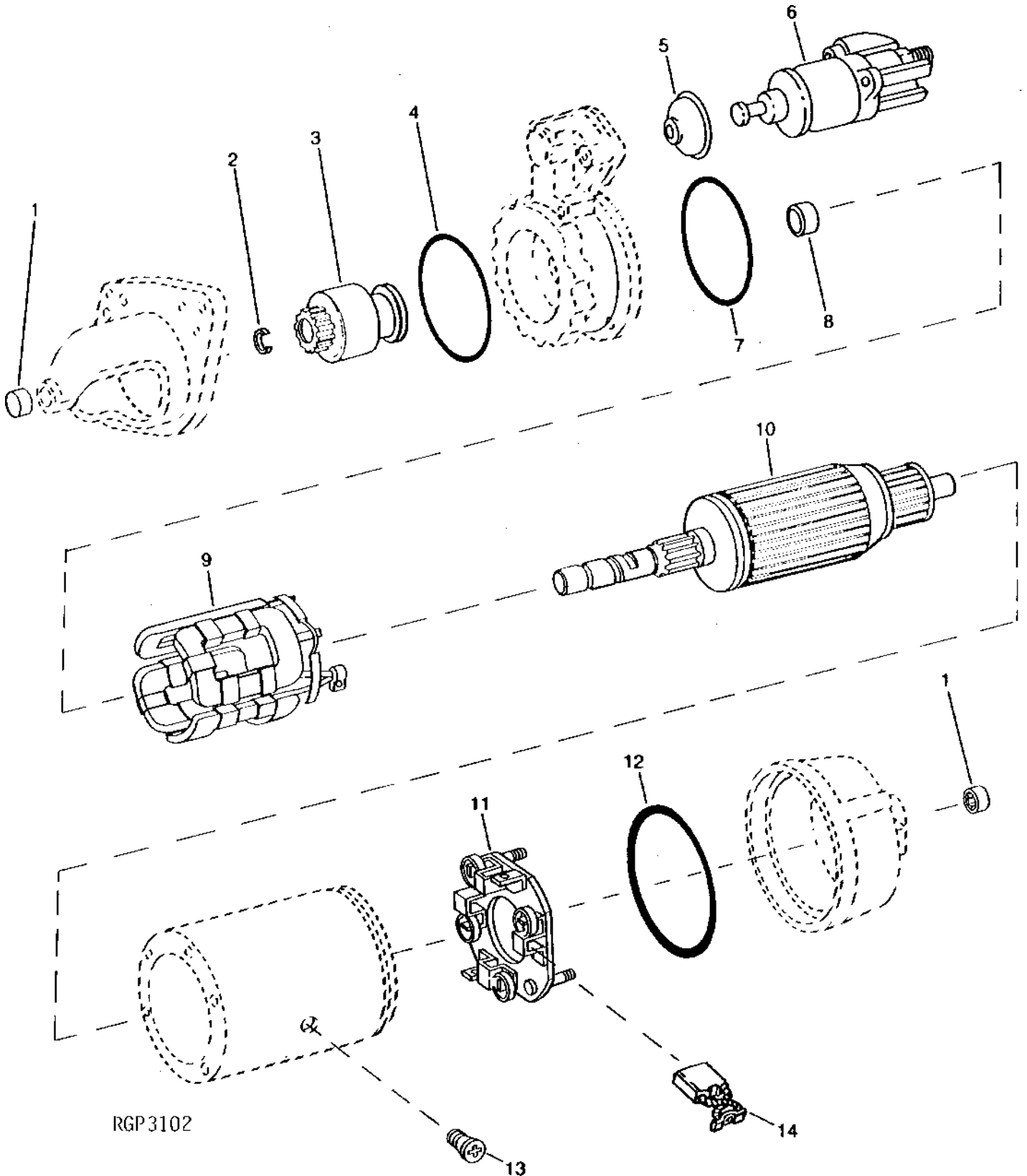
RGP4309

KEY	PART NO.	PART NAME	QTY	ENGINE SERIAL NO.	REMARKS
1	R53108	GASKET	1	-513109	
2	R114130	STUD	1		(SUB FOR R55396, APPL.)
3	12H304	LOCK WASHER	2	-513026	3/8", (NO LONGER REQUIRED)
	24M7096	WASHER	2	513027-	10.500 X 18 X 1.600 MM
4	E55662	FLANGE NUT	1		
5	R104676	SHIM	1		
6	R104646	SCREW	1		
7	H113196	TIE BAND	1		
8	T146102	LABEL	1		(ENGLISH) (SUB FOR T134459)
9	R44302	TIE BAND	1		
10	RE41758	COVER	1		(USE WITH TY6731 OR TY6781)
	RE45329	COVER	1		(USE WITH RE43266 OR RE54416)
11	RE43423	STARTER MOTOR	1	-513026	(DENSO NO. 128000-5972) (MARKED RE43266)
	RE56053	STARTER MOTOR	1	513027-	(CONTAINS RE45329) (SUB RE56053)
	TY6731	STARTER MOTOR	1	-513026	(DENSO NO. 128000-5973) (MARKED RE54416)
	TY6781	STARTER MOTOR	1	513027-	(CONTAINS RE45329) (SUB RE65176)
	RE65176	KIT	1		(REMANUFACTURED) (DENSO) (CONTAINS RE41758)
12	T146517	SAFETY SIGN	1		(REMANUFACTURED) (DENSO) (CONTAINS RE45329)
	T146104	SAFETY SIGN	1		(DENSO NO. 22800-4601) (MARKED RE59589)
	T146515	SAFETY SIGN	1		(ENGLISH/FRENCH) (SUB FOR T134456)
	T146516	SAFETY SIGN	1		(FRENCH) (SUB FOR T134453)
	T146106	SAFETY SIGN	1		(GERMAN) (SUB FOR T134454)
	T146106	SAFETY SIGN	1		(ITALIAN) (SUB FOR T134455)
	T146106	SAFETY SIGN	1		(SPANISH) (SUB FOR T134452)
13	19H3219	CAP SCREW	2		3/8" X 1-3/8"
..	RE43166	CLAMP	1		(INCLUDED WITH RE56053)

2F17

6076 ENGINE (ENGINE SERIAL NUMBER 500000-)

STARTING MOTOR (12V F4)
(DENSO NO. 128000-5972 OR 128000-5973)
(ENGINE SERIAL NO. 500000-)
RGP3102 -UN-01JAN94



2F18

6076 ENGINE (ENGINE SERIAL NUMBER 500000-)

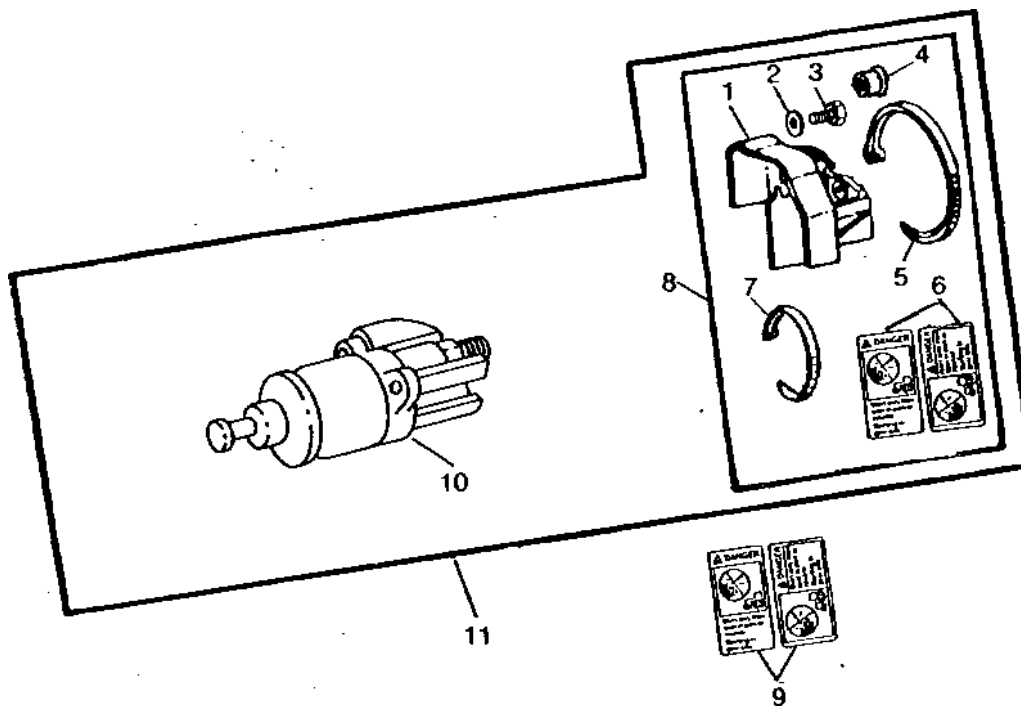
STARTING MOTOR (12V F4) - CONTINUED
(DENSO NO. 128000-5972 OR 128000-5973)
(ENGINE SERIAL NO. 500000-)

KEY	PART NO.	PART NAME	QTY	ENGINE SERIAL NO.	REMARKS
1	RE39251	NEEDLE BEARING	2		
2	R50902	SNAP RING	1		
3	RE39249	CLUTCH	1		
4	R50901	WASHER	1		
5	R100513	COVER	1		
6	RE39241	SWITCH	1		(USE WITH TY6731 OR TY6781)
	RE42777	SWITCH	1		(USE WITH RE43266 OR RE54416)
7	R100511	O-RING	1		
8	R100509	BUSHING	1		
9	RE39243	FIELD WINDING COIL	1		
10	RE39245	ARMATURE	1		
11	RE39250	CARBON BRUSH HOLDER	1		
12	R100512	O-RING	1		
13	R100508	SCREW	4		
14	RE39247	BRUSH	4		
..	RE43423	STARTER MOTOR	1		(DENSO NO. 128000-5972) (MARKED RE43266) (SUB RE56053)
..	RE56053	STARTER MOTOR	1		(DENSO NO. 128000-5973) (MARKED RE54416)

2F19

6076 ENGINE (ENGINE SERIAL NUMBER 500000-)

STARTER SOLENOID SWITCH
(12 VOLT) (JOHN DEERE)
(DENSO NO. 128000-5972)
 RGP3593 -UN-01JAN94



RGP3593

KEY	PART NO.	PART NAME	QTY	ENGINE SERIAL NO.	REMARKS
1	COVER	1	(SUB RE45329)	
2	R104676	SHIM	1		
3	R104646	SCREW	1		
4	R104677	BUSHING	1	(SUB RE45329)	
5	H113196	TIE BAND	1		
6	T146102	LABEL	1	(ENGLISH) (SUB FOR T134459)	
7	R44302	TIE BAND	1		
8	RE45329	COVER	1		
9	T146106	SAFETY SIGN	1	(SPANISH) (SUB FOR T134452)	
	T146104	SAFETY SIGN	1	(FRENCH) (SUB FOR T134453)	
	T146515	SAFETY SIGN	1	(GERMAN) (SUB FOR T134454)	
	T146516	SAFETY SIGN	1	(ITALIAN) (SUB FOR T134455)	
	T146517	SAFETY SIGN	1	(ENGLISH-FRENCH) (SUB FOR T134456)	
10	RE42777	SWITCH	1		
11	RE45330	SWITCH	1		

2F20

6076 ENGINE (ENGINE SERIAL NUMBER 500000-)

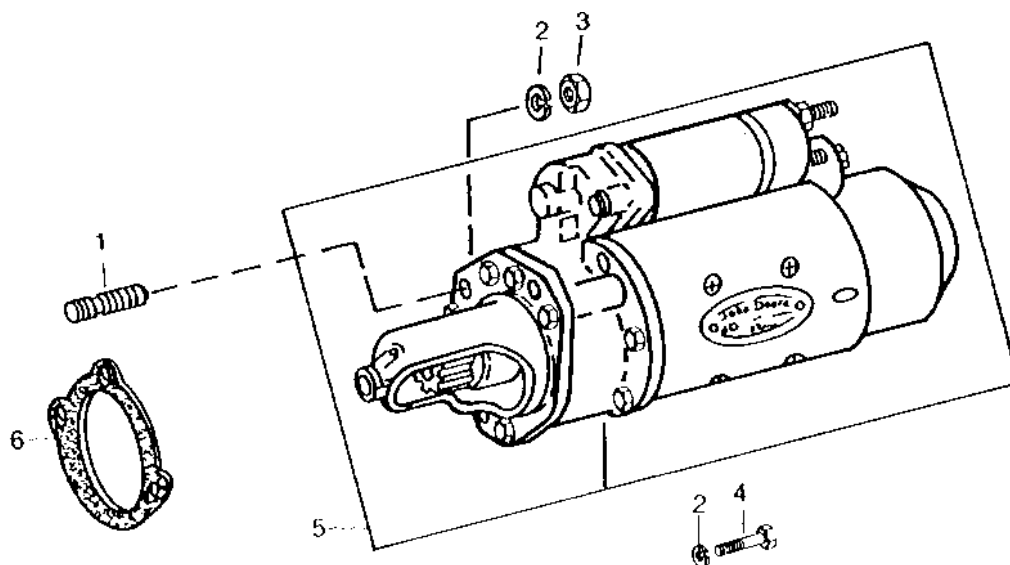
STARTING MOTOR

(12-VOLT)

(DENSO)

(ENGINE SERIAL NO. -136850)

RGP3021 -UN-01JAN94



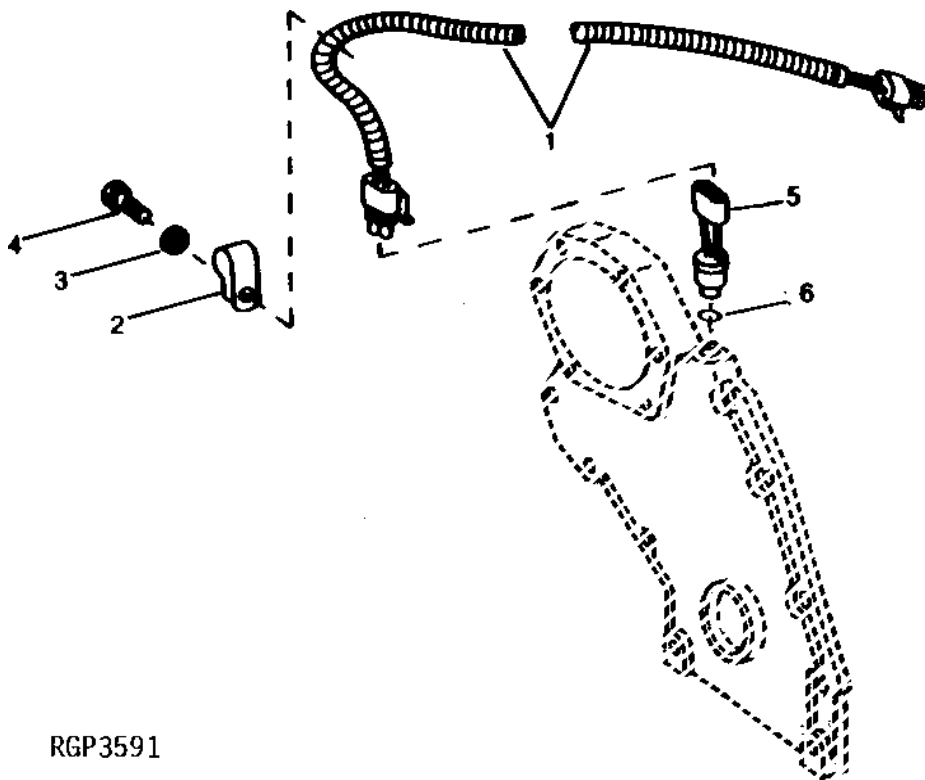
RGF3021

KEY	PART NO.	PART NAME	QTY	ENGINE SERIAL NO.	REMARKS
1	R114130	STUD	1		(SUB FOR R55396)
2	12H304	LOCK WASHER	3		3/8"
3	E55662	FLANGE NUT	1		(2) (NOT REQUIRED WITH E55662)
4	19H3219	CAP SCREW	2		3/8" X 1-3/8"
5	RE13722	STARTER MOTOR	1		(DENSO NO. 028000-3292) (WITHOUT COVER) (SUB RE41875 OR TY6713)
	TY6617	STARTER MOTOR	1		REMANUFACTURED (DENSO) (WITHOUT COVER) (SUB TY6713)
6	R53108	GASKET	1		
..	RE41875	STARTER MOTOR	1		(DENSO NO. 028000-3292) (CONTAINS RE39064) (SUB FOR RE13722)
..	TY6713	STARTER MOTOR	1		(REMANUFACTURED DENSO WITH RE39064) (SUB FOR TY6617)

2F21

6076 ENGINE (ENGINE SERIAL NUMBER 500000-)

MAGNETIC PICK-UP
 (ENGINE SERIAL NO. 500000-)
 RGP3591 -UN-20OCT94



RGP3591

KEY	PART NO.	PART NAME	QTY	ENGINE SERIAL NO.	REMARKS
1	RE49290	WIRING HARNESS	1	-XXXXXX	(USED WITH ROBERT BOSCH F.I.P.)
2	T13814	CLAMP	1	-XXXXXX	
3	24H1305	WASHER	2	-XXXXXX	13/32" X 13/16" X 0.065"
4	19H2038	CAP SCREW	2	-XXXXXX	3/8" X 1/2"
5	RE43511	SENSOR	1		
6	R54856	O-RING	1		

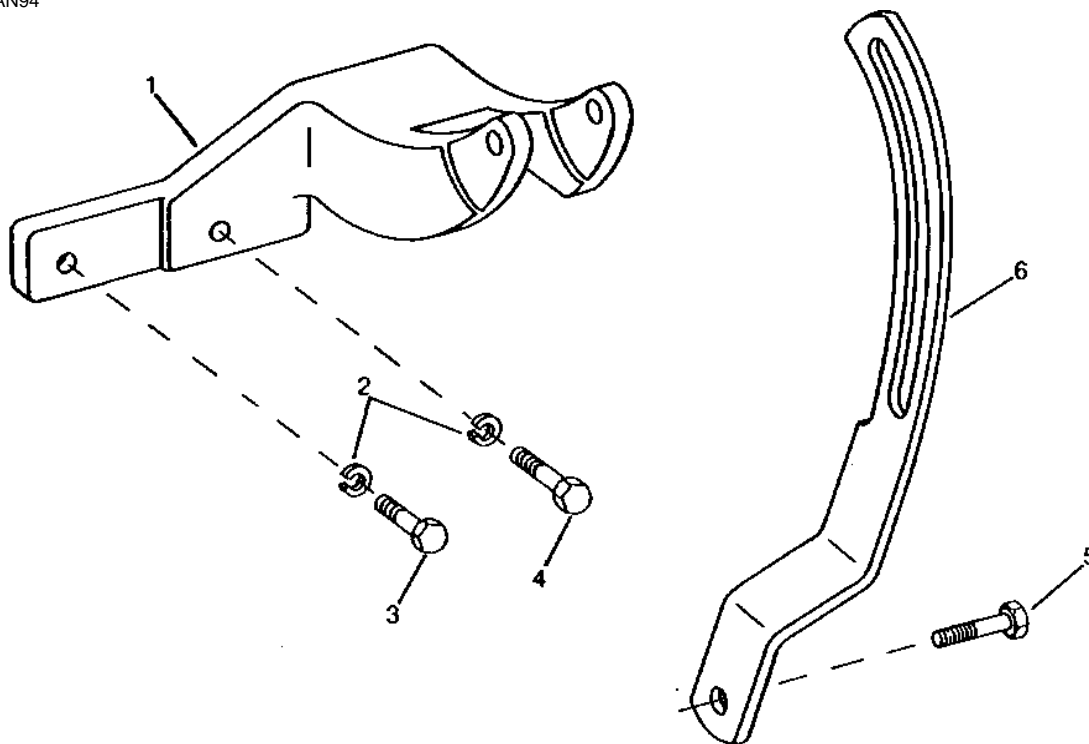
2F22

6076 ENGINE (ENGINE SERIAL NUMBER 500000-)

ALTERNATOR MOUNTING BRACKET AND ADJUSTING STRAP

(ENGINE SERIAL NO. 500000-)

RGP3620 -UN-01JAN94



.RGP3620

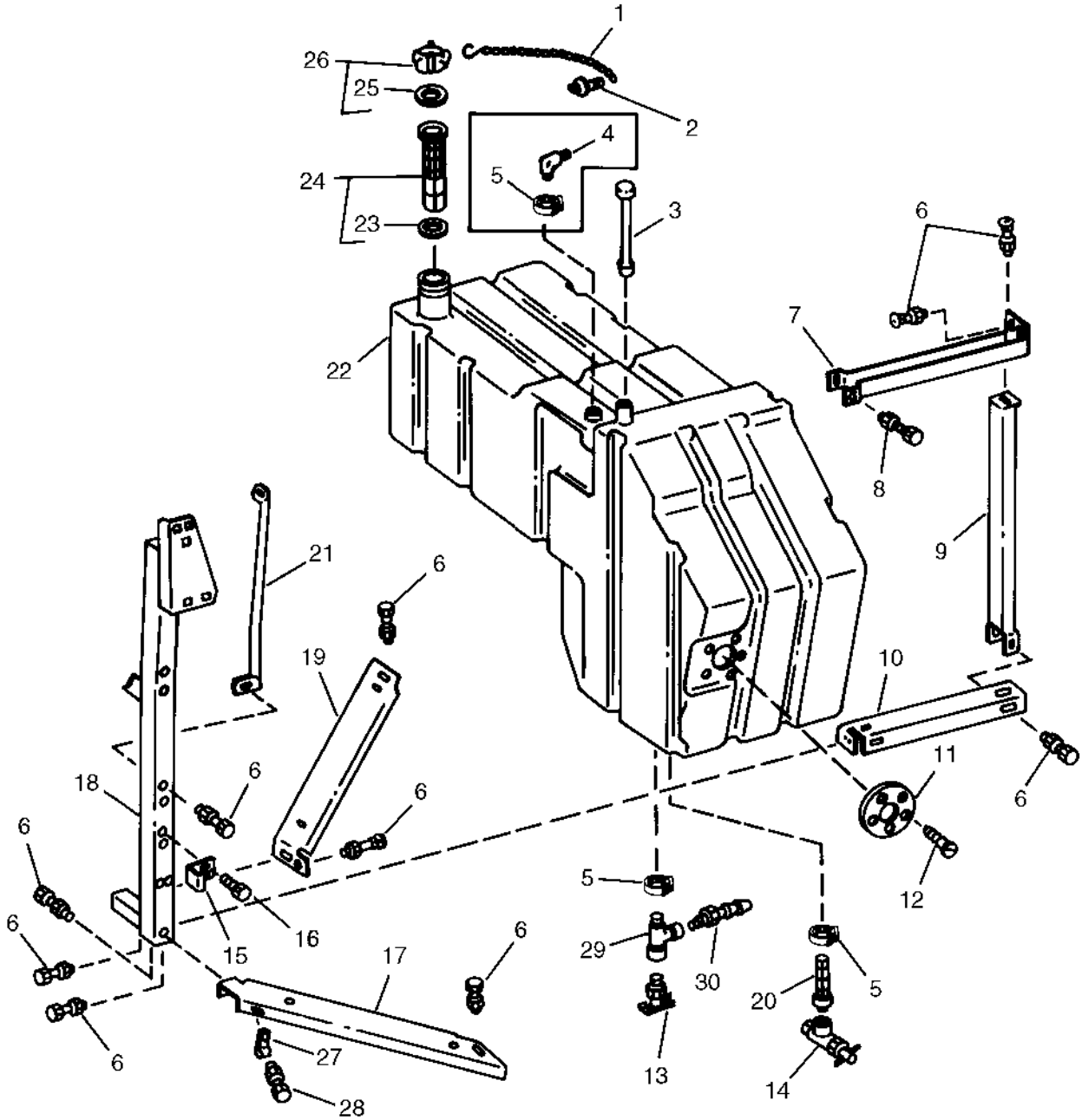
KEY	PART NO.	PART NAME	QTY	ENGINE SERIAL NO.	REMARKS
1	R108400	SUPPORT	1		
2	12H293	LOCK WASHER	1		
3	19H3104	CAP SCREW	1		
4	19H2731	CAP SCREW	1		7/16", (NO LONGER REQUIRED WITH 19H3104 OR 19H2731)
5	R105732	CAP SCREW	1		7/16" X 1-1/4"
6	R112038	STRAP	1		7/16" X 1-3/8"

MEMORANDA

MEMORANDA

2G3

FUEL TANK, SUPPORTS, AND FITTINGS
HP9320 -UN-16NOV99



HP9320

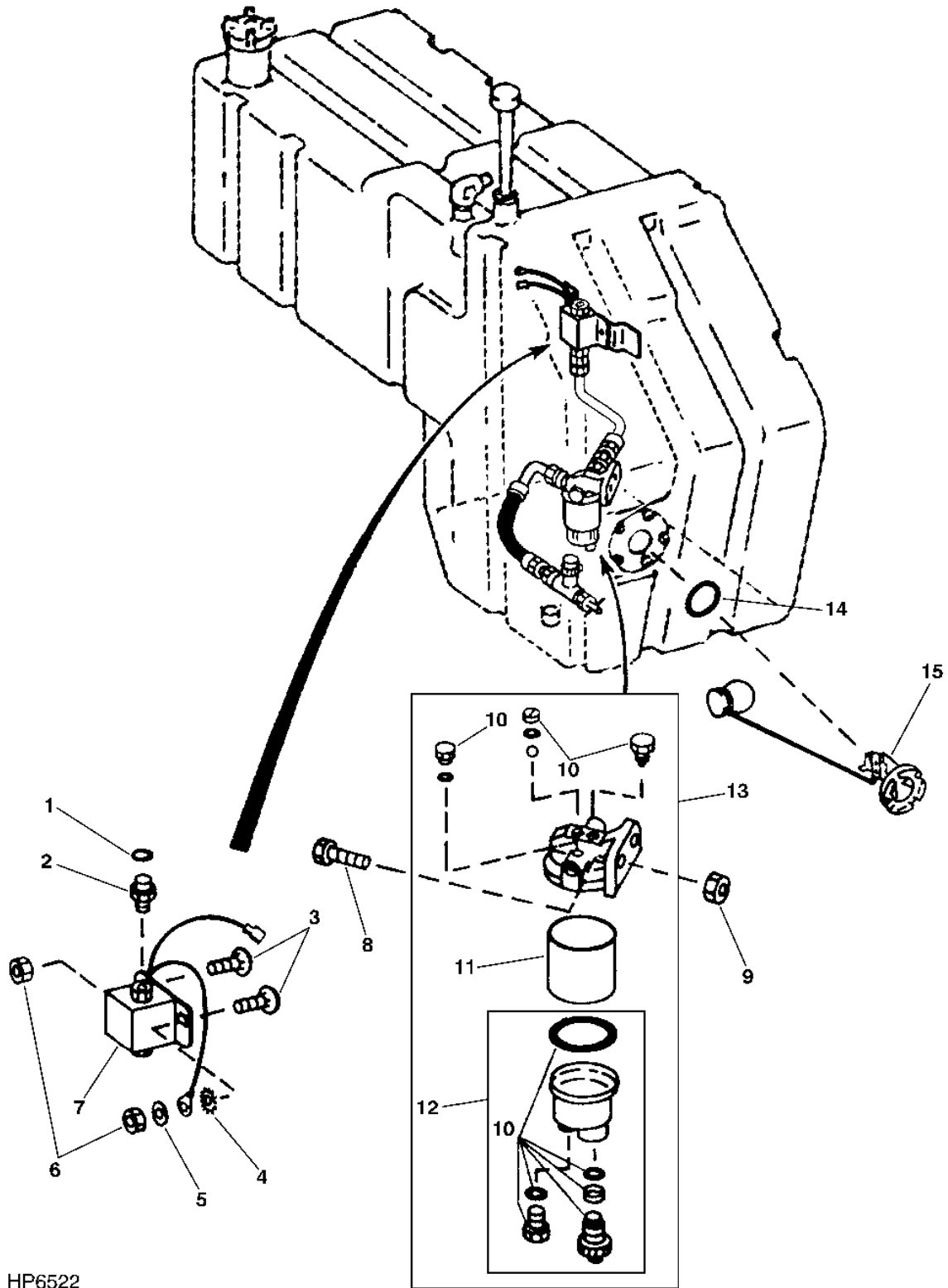
FUEL TANK, SUPPORTS, AND FITTINGS - CONTINUED

KEY	PART NO.	PART NAME	QTY	SERIAL NO.	S H 9 9 5 5 0 0 0 0	REMARKS
1	AH132814	LINK CHAIN	1		X X	
2	H99897	RETAINER	1		X X	
3	AH116123	BREATHER	1		X X	
4	T28077	ELBOW FITTING	1	-661605	X X	90 DEGREE
5	TY22465	HOSE CLAMP	3	-635527	X	(SUB FOR AR21837)
	AR21839	CLAMP	AR	635528-	X X	(SUB FOR AT18904)
6	19M7785	SCREW	5		X X	M10 X 25
	14M7400	LOCK NUT	5		X X	M10
7	H169794	CHANNEL	1		X X	(SUB FOR H134299)
8	19M7812	SCREW	1		X X	M10 X 100
	14M7400	LOCK NUT	1		X X	M10
	H77507	WASHER	1	641949-	X	10.312 X 38.100 X 7.925 MM (13/32" X 1-1/2" X 5/16")
9	H134298	CHANNEL	1		X X	
10	H169793	CHANNEL	1		X X	(SUB FOR H134297)
11	19M7785	SCREW	10		X X	M10 X 25
	14M7400	LOCK NUT	10		X X	M10
12	H134396	WASHER	1		X X	
13	19H2925	SCREW	5		X X	1/4" X 1/2"
14	AT13740	DRAIN VALVE	1		X X	(USE WITH T17568 TEE AND U42355 CONNECTOR)
15	AH129056	VALVE	1		X X	
16	H143420	STOP	1		X X	(SUB FOR H129607)
17	37M7058	SCREW	2		X X	M8 X 20
18	AH135191	CHANNEL	1		X X	(INCLUDES AH114109)
19	AH137254	SUPPORT	1		X X	(SUB FOR AH124945)
20	H134181	CHANNEL	1	-636303	X	(SUB AH136147 AND AH136146) REAR
	AH136147	CHANNEL	1		X X	(USE WITH (3) H64612)
21	AH106982	SCREEN	1		X X	
22	H129839	BRACE	1		X X	
23	AH146621	FUEL TANK	1		X X	(SUB FOR AH128633, AH137817, AH139161, AH140493 OR AH144553) (USE WITH TY22418, U42355 AND T17568)
24	H147415	O-RING	1		X X	69.215 X 5.334 MM (2.725" X 0.210") (SUB FOR H140497)
25	AH162914	STRAINER	1		X X	(SUB FOR AH135155)
26	H137323	WASHER	1	-638324	X X	61.900 X 69.900 X 3.200 MM (2.437" X 2.752" X 0.126") (SUB AH135893)
	H148166	WASHER	1	638325-	X X	29 X 85 X 3.175 MM (1.142" X 3.346" X 1/8") (SUB FOR H141412)
27	AH130529	FILLER CAP	1	-638324	X	(SUB AH135893)
	AH141823	FILLER CAP	1	638325-	X X	(SUB FOR AH135893) (INCLUDES H148166)
28	T38377	CLIP	1	-638898	X	FOR RUBBER HOSE ON STRAW WALKER GEARBOX
	T76719	CLAMP	1	638899-656872	X X	FOR CLEAR HOSE ON STRAW WALKER GEARBOX
	T28949	CLAMP	1	656873-660365	X X	
	T76719	CLAMP	1	660366-	X X	
29	19M7867	SCREW	1	638899-660365	X X	M8 X 25 M8 X 25
	14M7298	FLANGE NUT	1	638899-660365	X X	M8 M8
	19M7862	SCREW	1	660366-	X X	M6 X 20
	14M7303	FLANGE NUT	1	660366-	X X	M6
30	T17568	TEE FITTING	1	661606-	X X	6.350 MM
	U42355	FITTING	1	661606-	X X	

2G5

ELECTRIC FUEL PUMP, WATER SEPARATOR AND FUEL FLOAT

HP6522 -UN-15JUL96



HP6522

2G6

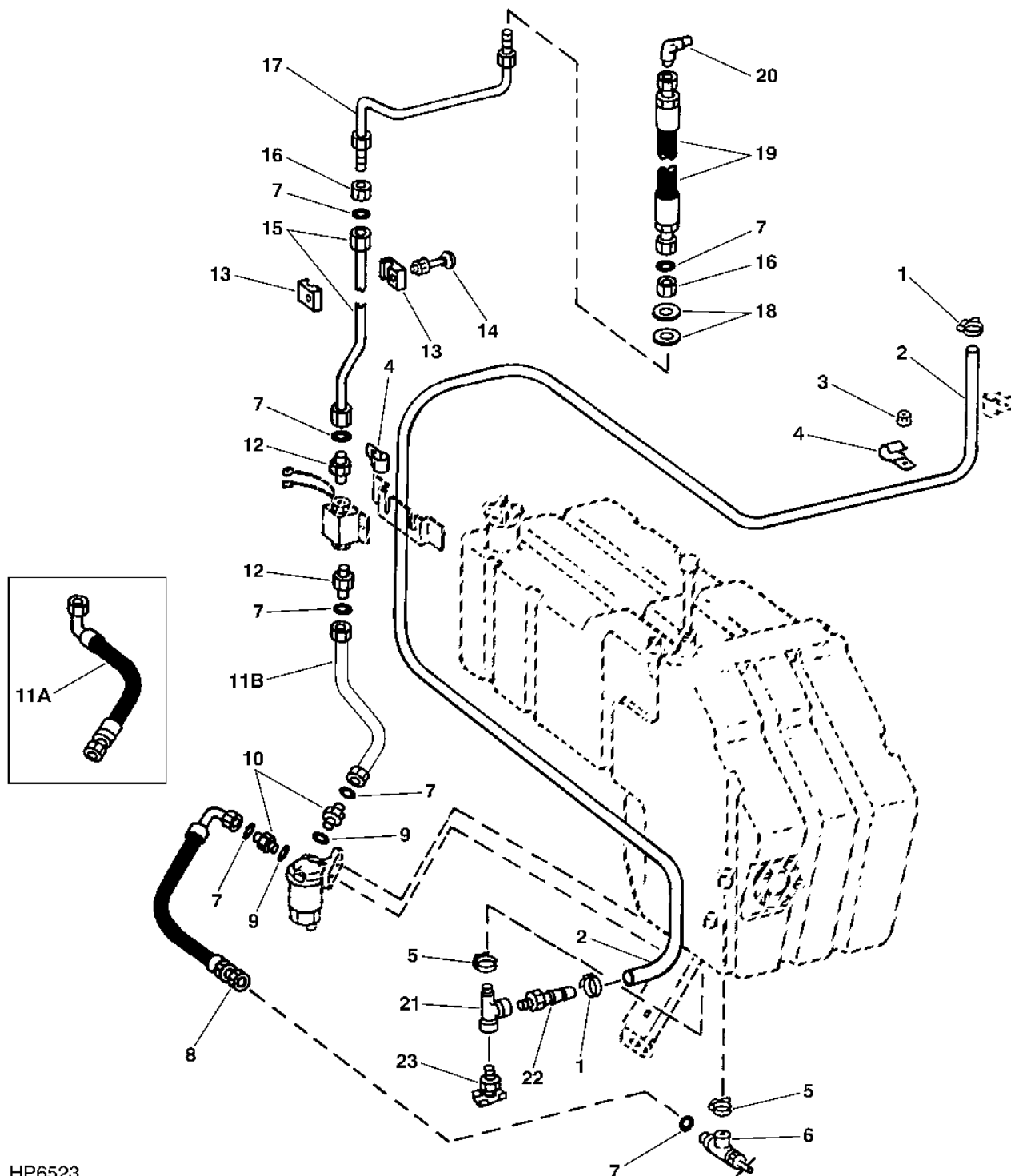
FUEL AND AIR

ELECTRIC FUEL PUMP, WATER SEPARATOR AND FUEL FLOAT - CONTINUED

KEY	PART NO.	PART NAME	QTY	SERIAL NO.	S H 9 5 0 0	REMARKS
1	T77613	O-RING	2		X X	9.246 X 1.778 MM (0.364" X 0.070")
2	H127578	ADAPTER	2		X X	
3	03M7221	BOLT	2		X X	M6 X 16
4	12M7081	LOCK WASHER	1		X X	6.400 MM, EXTERNAL TOOTH
5	24H1287	WASHER	1		X X	9/32" X 5/8" X 0.065"
6	14M7303	FLANGE NUT	2		X X	M6
7	AH130127	PUMP	1		X X	
8	19M7786	SCREW	2		X X	M10 X 30
9	14M7296	FLANGE NUT	2		X X	M10
10	AT81477	KIT	1		X X	
11	AT81478	FILTER ELEMENT	1		X X	
12	AT81476	KIT	1		X X	
13	AT81268	SEPARATOR	1		X X	
14	F1649R	O-RING	1	-650200	X X	59.919 X 3.531 MM (2-23/64" X 0.139")
	H149454	PACKING	1	650201-	X X	
15	AH143036	SENSOR	1		X X	(SUB FOR AH124833 OR AH136233)

TANK FUEL LINES AND FITTINGS

HP6523 -UN-15JUL96



HP6523

TANK FUEL LINES AND FITTINGS - CONTINUED

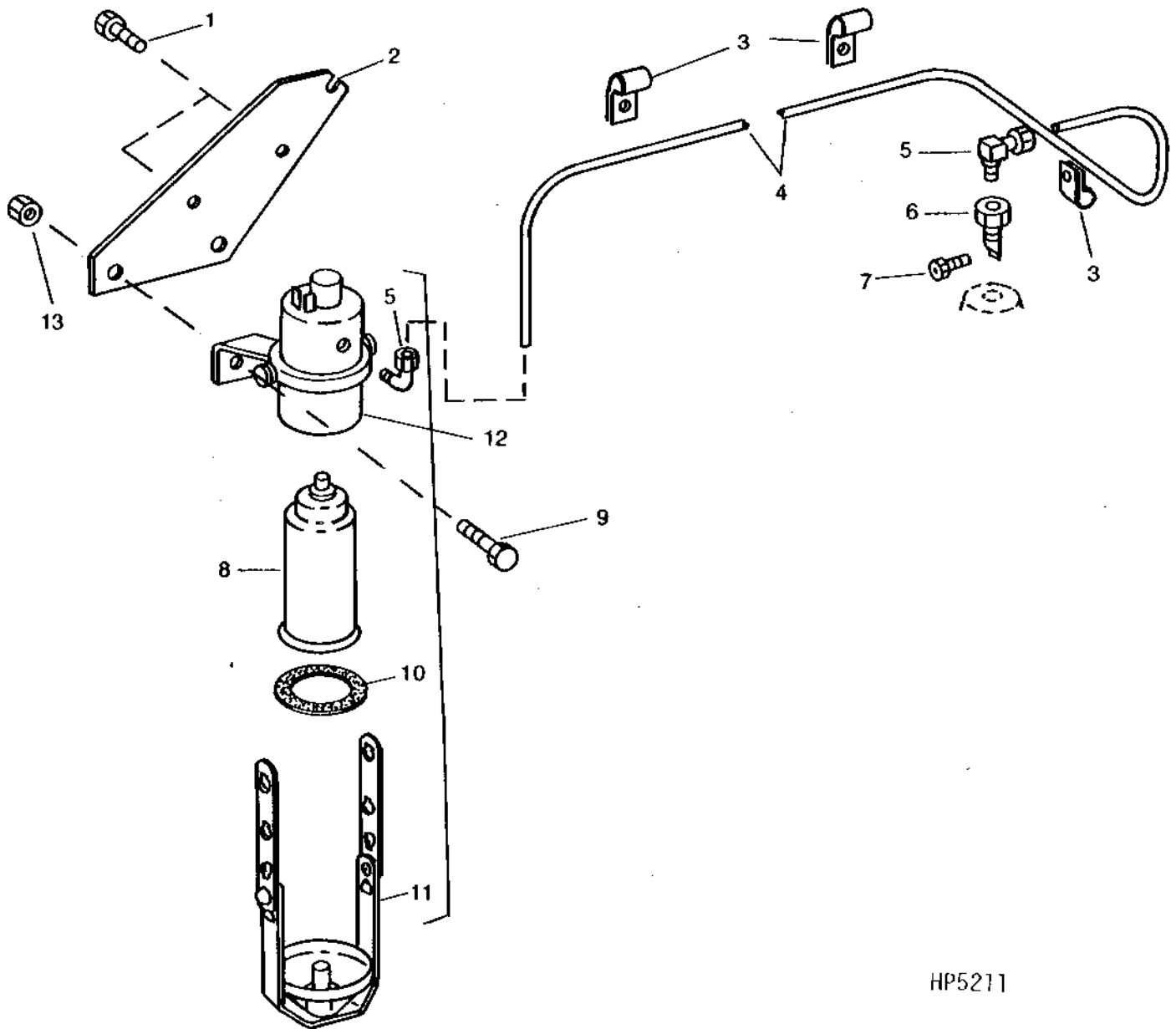
KEY	PART NO.	PART NAME	QTY	SERIAL NO.	S H 9 5 0 0	REMARKS
1	TY22462	CLAMP	1		X X	(SUB FOR AR48236)
2	H119904	LINE	1	-661454	X X	(SUB TY22418 CUT TO 79 IN.) RETURN
	TY22418	BULK HOSE	1		X X	(CUT TO 2920 MM (115 IN.) RETURN
3	14M7298	FLANGE NUT	1		X X	M8
4	AH89557	CLIP	2		X X	
5	TY22465	HOSE CLAMP	1	-635527	X	(SUB FOR AR21837)
	AR21839	CLAMP	AR	635527-	X X	(SUB FOR AT18904)
6	AH129056	VALVE	1		X X	
7	T77613	O-RING	7		X X	9.246 X 1.778 MM (0.364" X 0.070")
8	AH129058	HYDRAULIC HOSE	1		X X	11/16" X 420 MM (16-1/2") X 11/16", INLET
9	R26448	O-RING	2		X X	11.887 X 1.981 MM (0.468" X 5/64")
10	38H1160	ADAPTER	2		X X	
11A	AH129407	HYDRAULIC HOSE	1	-636303	X	11/16" X 200 MM (7-3/4") X 11/16", SUCTION
11B	AH136146	LINE	1	636304-	X X	
12	H127578	ADAPTER	2		X X	
13	H127589	CLAMP	2		X X	
14	03M7188	BOLT	1		X X	M8 X 40
	14M7298	FLANGE NUT	1		X X	M8
15	AH134842	OIL LINE	1		X X	R.H. SIDE
16	T81029	NUT	2		X X	17.475 MM
17	AH129409	OIL LINE	1		X X	UPPER
18	24M7114	WASHER	2		X X	19 X 30 X 4 MM
19	AH131541	HYDRAULIC HOSE	1		X X	9/16" X 435 MM (17-1/4") X 11/16", ENGINE
20	T28860	ELBOW FITTING	1		X X	
21	T17568	TEE FITTING	1	661606-	X X	6.350 MM (1/4")
22	U42355	FITTING	1	661606-	X X	
23	AT13740	DRAIN VALVE	1		X X	

2G9

COLD WEATHER STARTING AID

(-656805)

HP5211 -UN-01JAN94



HP5211

2G10

FUEL AND AIR

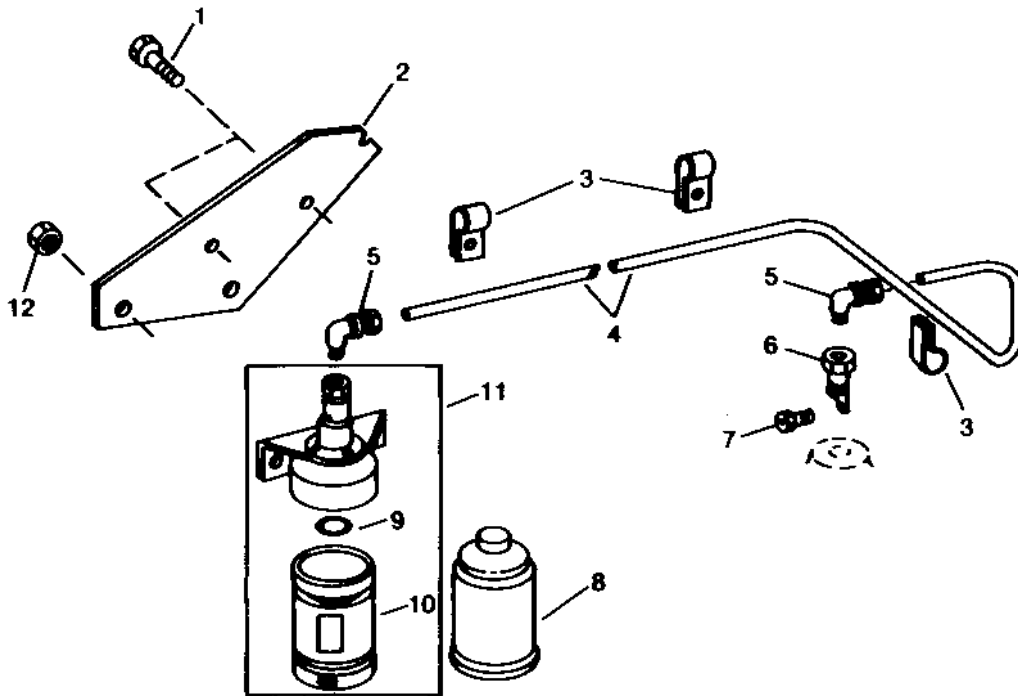
COLD WEATHER STARTING AID - CONTINUED
(-656805)

KEY	PART NO.	PART NAME	QTY	SERIAL NO.	S H 9 9 5 5 0 0 0 0	REMARKS
1	19M7774	SCREW	AR		X X	M6 X 12
2	H170303	COVER	1		X X	(SUB FOR H141769 OR H145315)
3	T32231	CLAMP	4		X X	
4	LINE	1		X X	(CUT FROM H86108) 57 IN.
5	RE21790	ELBOW FITTING	2		X X	
6	R47160	NOZZLE HOLDER	1		X X	
7	R28583	NOZZLE	1		X X	
8	RE33636	STARTING FLUID	1		X X	
9	19M7865	SCREW	2		X X	M8 X 16
10	T46726	GASKET	1		X X	
11	AT57288	BAIL	1		X X	
12	AT39623	SOLENOID	1		X X	
13	14M7298	FLANGE NUT	2		X X	M8

2G11

COLD WEATHER STARTING AID

(656806-)
HP5856 -UN-15OCT94



HP5856

2G12

FUEL AND AIR

COLD WEATHER STARTING AID - CONTINUED
(656806-)

KEY	PART NO.	PART NAME	QTY	SERIAL NO.	S H 9 5 0 0 0 0	REMARKS
1	19M7774	SCREW	AR		X X	M6 X 12
2	H170303	COVER	1		X X	(SUB FOR H141769 OR H145315)
3	T32231	CLAMP	4		X X	
4	LINE	1		X X	(CUT FROM H86108) 57 IN.
5	RE21790	ELBOW FITTING	2		X X	
6	R47160	NOZZLE HOLDER	1		X X	
7	R28583	NOZZLE	1		X X	
8	RE33636	STARTING FLUID	1		X X	
9	T13119	O-RING	1		X X	18.720 X 2.616 MM (0.737" X 0.103")
	T15712	O-RING	1		X X	12.421 X 1.778 MM (0.489" X 0.070")
10	R73498	CONTAINER	1		X X	
11	RE48310	STARTING AID SOLENOID	1		X X	
	RE48321	ADAPTER	1		X X	
12	14M7298	FLANGE NUT	2		X X	M8

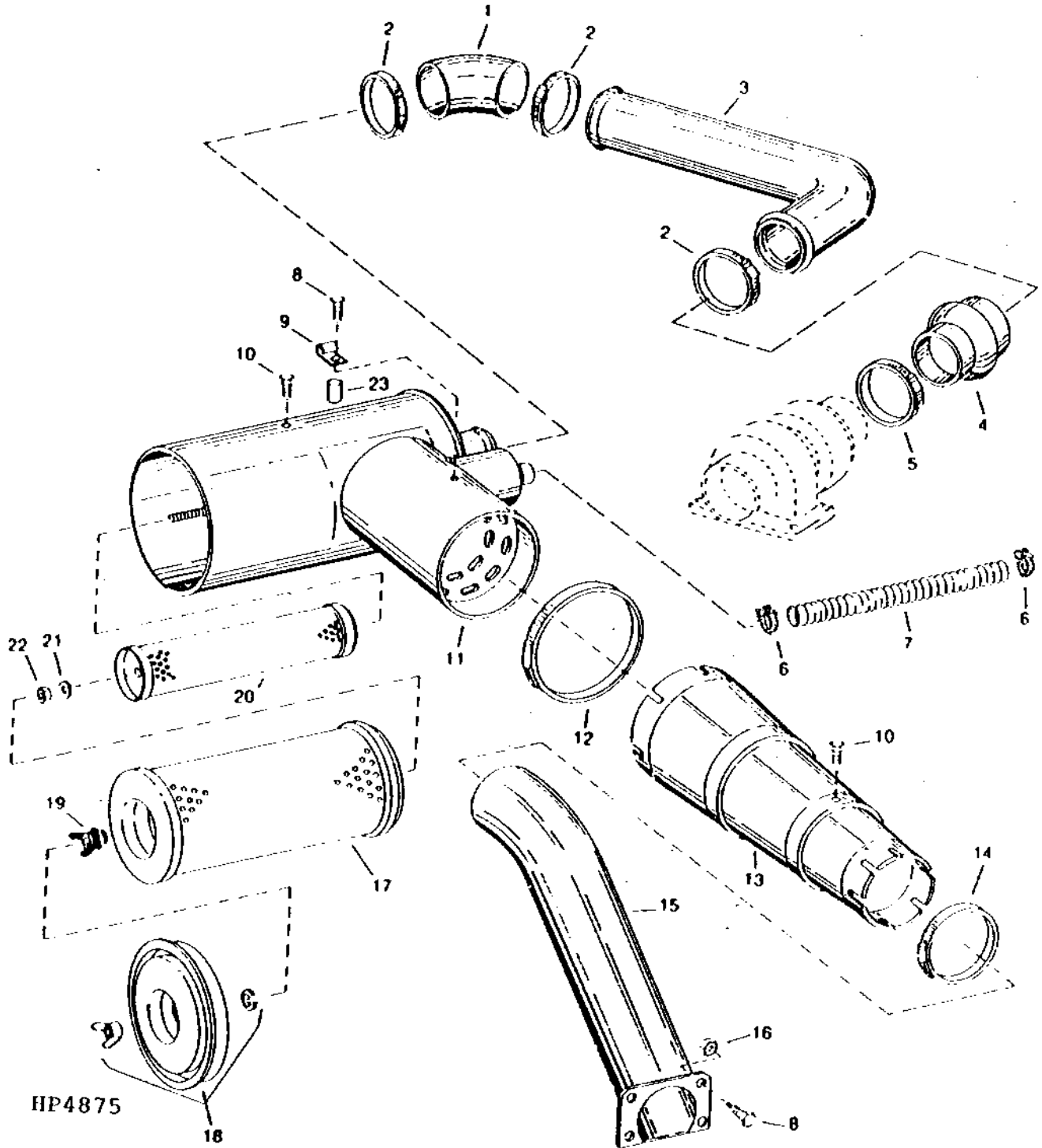
2G13

FUEL AND AIR

AIR CLEANER AND INTAKE TUBES

(-645200)

HP4875 -UN-01JAN94



2G14

FUEL AND AIR

AIR CLEANER AND INTAKE TUBES - CONTINUED

(-645200)

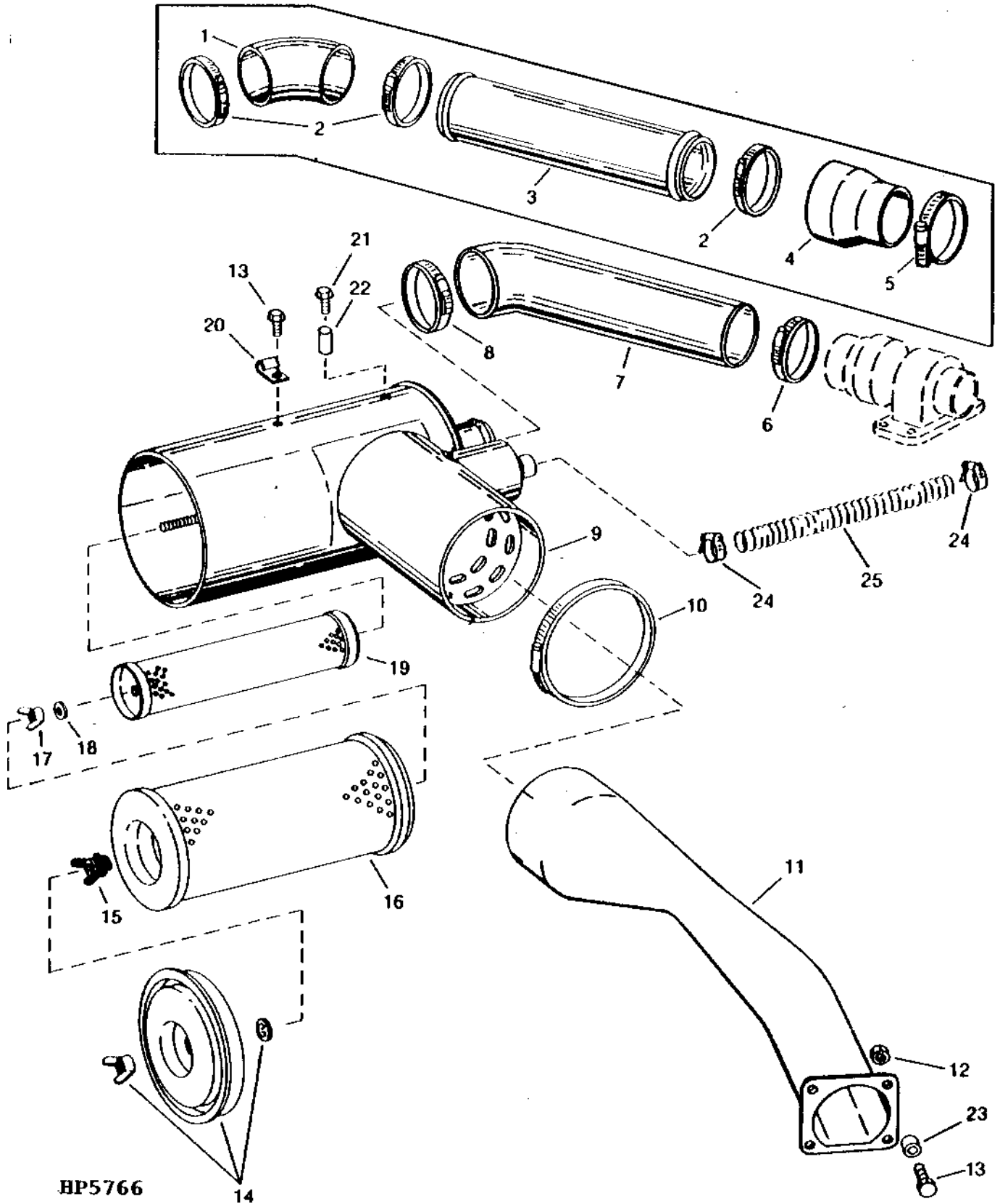
KEY	PART NO.	PART NAME	QTY	SERIAL NO.	S H 9 5 0 0 0 0	REMARKS
1	H136564	HOSE	1		X X	
2	AH134578	CLAMP	3	-650800	X	(SUB RE36259)
	RE36259	CLAMP	3		X X	
3	H136568	TUBE	1		X X	
4	H136566	HOSE	1		X X	
5	AH134578	CLAMP	1	-650800	X	(SUB RE36259)
	RE36259	CLAMP	1		X X	
6	AR65293	CLAMP	2		X X	
7	H134117	HOSE	1		X X	
8	19M8319	SCREW	5		X X	M8 X 50
9	H136577	CLAMP	1	-665977	X X	
	H134690	CLAMP	1		X X	
10	19M8319	SCREW	1		X X	M8 X 50
11	AH130100	AIR CLEANER	1	-665977	X	
12	AH130230	HOSE CLAMP	1		X	
13	AH141625	AIR DUCT	1		X X	(SUB FOR AH138361 OR AH139364)
14	AC15595	CLAMP	1		X X	
15	AH130513	TUBE	1		X X	(3 FT.) (FOR 5 FT. USE WITH AH137259)
16	14M7298	FLANGE NUT	4		X X	M8
17	AR70106	FILTER ELEMENT	1	-665977	X X	PRIMARY ELEMENT
18	AH136051	COVER	1		X X	(USE WITH AR81313) M94737 WING SCREW
19	AR73234	WING NUT	1		X X	
20	AR70107	FILTER ELEMENT	1	-665977	X X	USE WITH AR70106 SAFETY (SECONDARY) ELEMENT
21	R39825	SEAL	1		X X	
22	E17421	LOCK NUT	1		X X	15.875 MM (5/8")
23	28H1633	BUSHING	1		X X	9.246 X 13.716 X 39.675 MM (0.364" X 0.540" X 1-9/16")

2G15

FUEL AND AIR

AIR CLEANER AND INTAKE TUBES

(645201-)
HP5766 -UN-01JAN94



HP5766

2G16

FUEL AND AIR

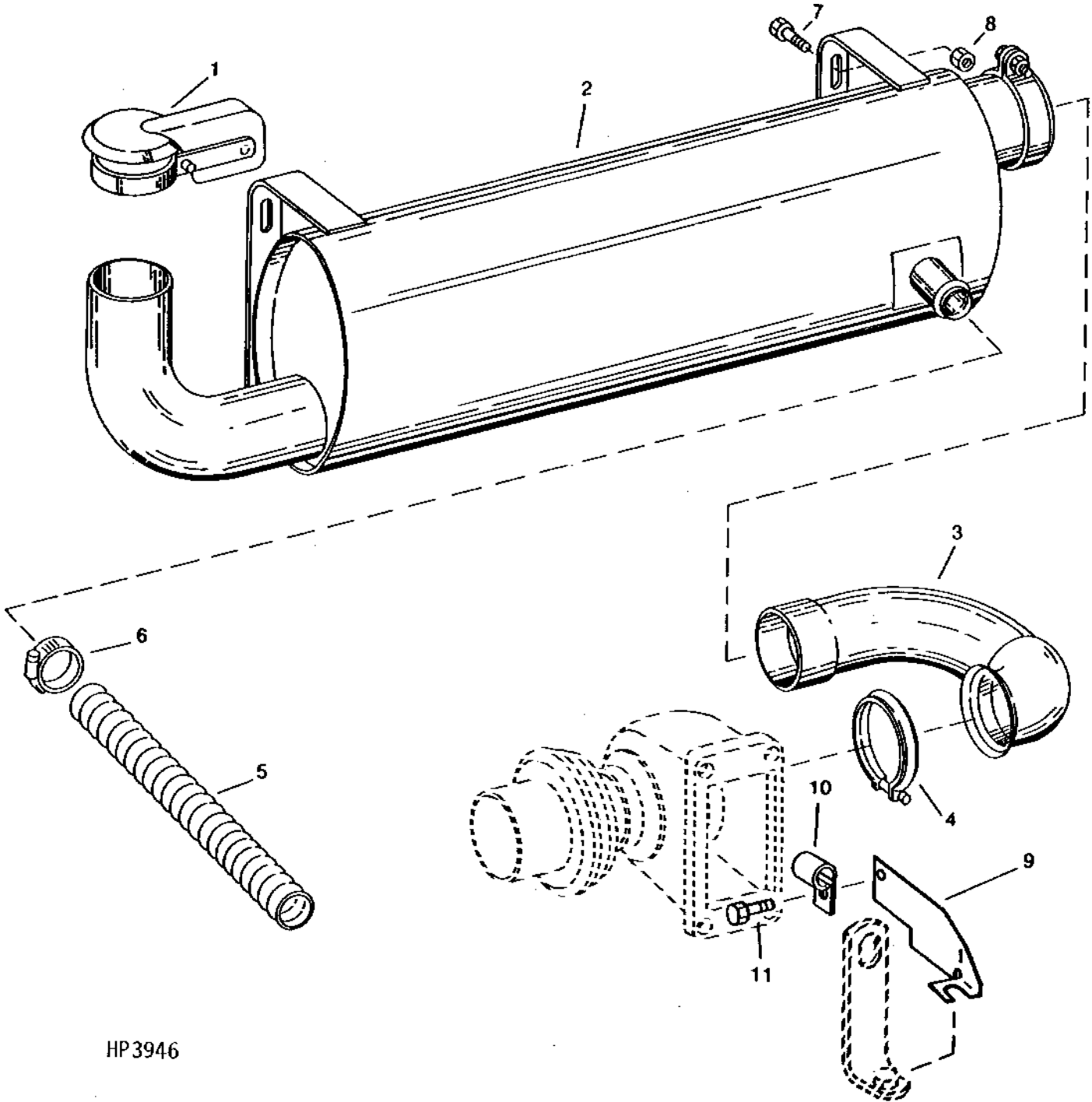
AIR CLEANER AND INTAKE TUBES - CONTINUED
(645201-)

KEY	PART NO.	PART NAME	QTY	SERIAL NO.	S H 9 5 0 0 0 0	REMARKS
1	H136565	HOSE	1	-650200	X X	(SUB H147865)
2	AT53439	HOSE CLAMP	3	-650200	X X	
3	H136569	TUBE	1	-650200	X X	(SUB H147865)
4	H136567	HOSE	1	-650200	X X	
5	AH134578	CLAMP	1	-646938	X	(SUB RE36259)
	RE36259	CLAMP	1	646939-650200	X	
	RE36259	CLAMP	1	-650200	X	
6	AT112176	HOSE CLAMP	1	650201-	X X	
7	H147865	HYDRAULIC HOSE	1	650201-665977	X X	
	AH148990	HOSE	1		X X	
8	AH142168	CLAMP	1	650201-651188	X X	(SUB AT104113)
	AT104113	HOSE CLAMP	1	-665977	X X	
	AT131716	HOSE CLAMP	1		X X	
9	AH130100	AIR CLEANER	1	-665997	X X	
	AH148288	AIR CLEANER	1	665998-	X X	
10	AH130230	HOSE CLAMP	1		X X	
11	AH141625	AIR DUCT	1	650201-	X X	(SUB FOR AH139364)
12	14M7298	FLANGE NUT	4		X X	M8
13	19M8318	SCREW	4		X X	M8 X 45
14	AH132803	COVER	1	-665977	X X	
	AH148360	COVER	1		X X	
15	AR73234	WING NUT	1		X X	
16	AR70106	FILTER ELEMENT	1	-665977	X X	PRIMARY ELEMENT
	AR95758	FILTER ELEMENT	1	665978-	X X	PRIMARY ELEMENT
17	AH20849	WING NUT	1		X X	
18	R39825	SEAL	1		X X	
19	AR70107	FILTER ELEMENT	1	-665977	X X	(USE WITH AR70106) SAFETY SECONDARY ELEMENT
	AR95759	FILTER ELEMENT	1	665978-	X X	(USE WITH AR95758) SAFETY SECONDARY ELEMENT
20	H136577	CLAMP	1	-665977	X X	
	H134690	CLAMP	1		X X	
21	19M8319	SCREW	1		X X	M8 X 50
22	28H1633	BUSHING	1		X X	
23	H148776	SPACER	4	650226-	X X	

2G17

FUEL AND AIR

MUFFLER AND EXHAUST PIPE
HP3946 -UN-01JAN94



HP3946

2G18

FUEL AND AIR

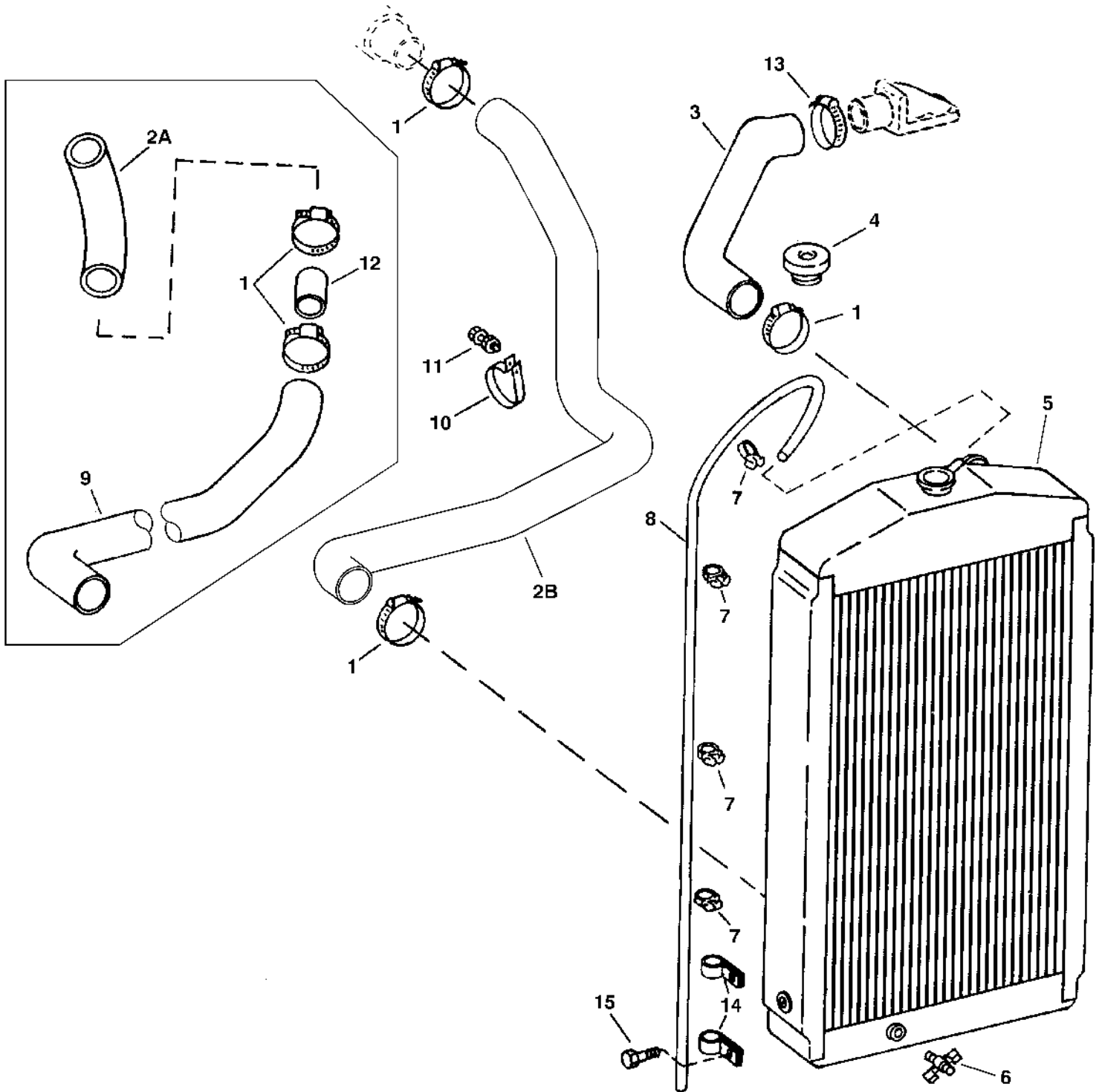
MUFFLER AND EXHAUST PIPE - CONTINUED

KEY	PART NO.	PART NAME	QTY	SERIAL NO.	S H 9 5 0 0	REMARKS
1	AR86603	CAP	1		X X	
	AT74407	EXHAUST CAP	1		X X	(USE WITH AH161463)
2	AH136385	MUFFLER	1	-665977	X X	
	AH148289	MUFFLER	1		X X	(SUB AH161463) (ALSO ORDER AT74407)
	AH161463	MUFFLER	1		X X	
3	AH128976	EXHAUST PIPE	1		X	GRAIN
	AH128977	EXHAUST PIPE	1		X X	CORN
4	AT103553	CLAMP	1	-656341	X X	(SUB RE40048)
	RE40048	CLAMP	1		X X	
5	H134117	HOSE	1		X X	
6	AR65293	CLAMP	1	-650311	X X	
	AR21840	CLAMP	1	650312-661617	X X	(SUB TY22470)
	TY22470	CLAMP	1		X X	
7	19M7865	SCREW	4	-661350	X X	M8 X 16
	19M7868	SCREW	4	661351-	X X	M8 X 30
8	14M7298	FLANGE NUT	4		X X	M8
9	H140916	SHIELD	1	-637199	X	(SUB H142104)
	H142104	SHIELD	1	637200-637979	X	(SUB H144260)
	H144260	SHIELD	1		X X	
10	AH89486	CLIP	1	-661744	X X	(SUB AH96317)
	AH96317	CLIP	1		X X	
11	37M7083	SCREW	1		X X	M8 X 12

2G19

FUEL AND AIR

RADIATOR AND HOSES
HP6656 -UN-07MAR97



HP6656

2G20

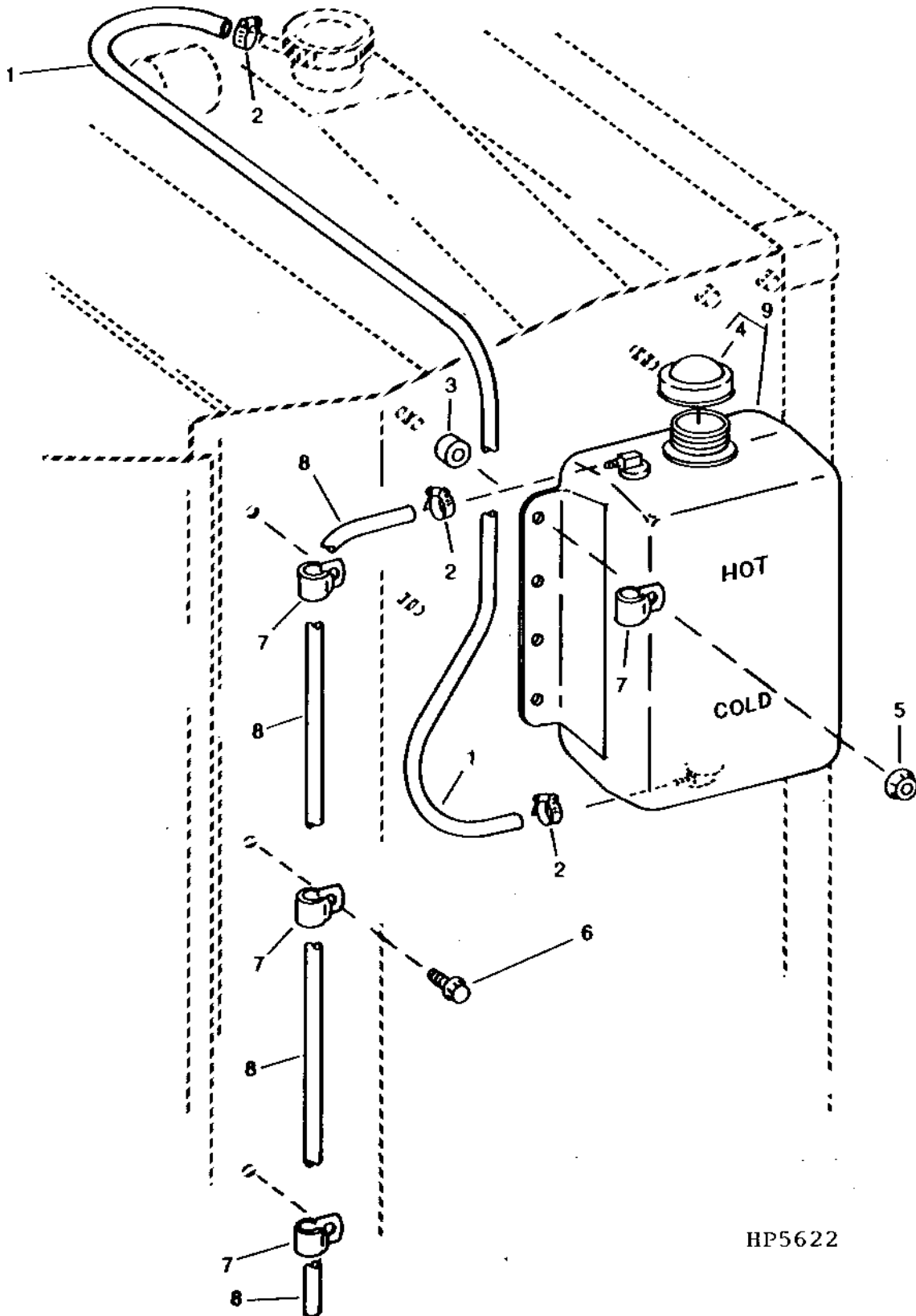
FUEL AND AIR

RADIATOR AND HOSES - CONTINUED

KEY	PART NO.	PART NAME	QTY	SERIAL NO.	S H 9 5 0 0	REMARKS
1	AR21999	HOSE CLAMP	5	-643087	X	
	TY22472	CLAMP	5	643088-670200	X X	(SUB FOR RE41991)
	AR21999	HOSE CLAMP	3	670201-	X X	
	TY22470	CLAMP	2	670201-	X X	(SUB FOR AR21840)
2	AH130082	HOSE	1	-640200	X	(SUB AH135888)
	AH135888	RADIATOR HOSE	1		X	
	AH140109	HOSE	1	-645231	X	(SUB AH137641 OR AH137758) SPRING REINFORCED
	AH137641	HOSE	1		X X	SPRING REINFORCED (USE WITH 4 AND 5 FPI RADIATOR)
	AH137758	HOSE	1		X X	
3	AH140930	HOSE	1	645316-	X X	(SUB FOR H133972)
4	AN191560	FILLER CAP	1	-665977	X X	7 PSI
	AH148649	FILLER CAP	1		X X	
5	AH128257	RADIATOR	1	645201-	X X	5 FPI
	AH137544	RADIATOR	1		X X	(SUB FOR AH128258)
	AH144719	RADIATOR	1	656270-	X X	4 FPI
6	AT13740	DRAIN VALVE	1		X X	
7	H145832	CLAMP	3		X X	(SUB FOR H118766)
8	TY22324	BULK HOSE	1		X X	(SUB FOR H134124) CUT TO LENGTH - RADIATOR OVERFLOW HOSE
9	AH130083	HOSE	1	-640200	X	(SUB AH135888)
	AH135888	RADIATOR HOSE	1		X X	
	AH140109	HOSE	1	-645231	X	(SUB AH137641 OR AH137758) SPRING REINFORCED
	AH137641	HOSE	1		X X	63.5 MM (2.5 IN) DIA. 516 (20 IN) LONG, SPRING REINFORCED (USE WITH 4 AND 5 FPI RADIATOR)
	AH137758	HOSE	1		X X	50.8 MM (2 IN) DIA. 413.2 MM (16 IN) LONG
10	H123297	CLAMP	1		X X	
11	19M7865	SCREW	1		X X	M8 X 16
	14M7298	FLANGE NUT	1		X X	M8
12	H147111	TUBE	1		X X	(SUB FOR H133970)
13	AR21999	HOSE CLAMP	1	-643087	X X	
	TY22472	CLAMP	1	643088-	X X	(SUB FOR RE41991)
14	H75541	CLAMP	2		X X	
15	37M7083	SCREW	2		X X	M8 X 12

2G21

COOLANT RECOVERY TANK
HP5622 -UN-01JAN94



HP5622

COOLANT RECOVERY TANK - CONTINUED

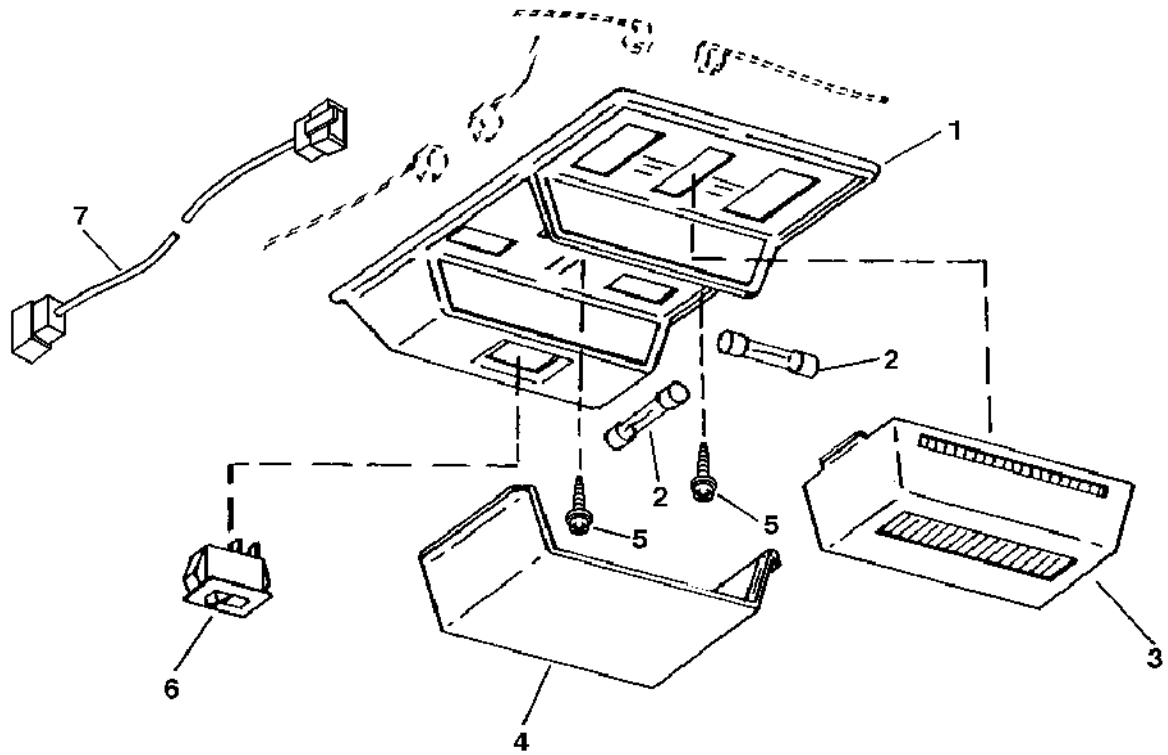
KEY	PART NO.	PART NAME	QTY	SERIAL NO.	S H 9 9 5 5 0 0 0 0	REMARKS
1	TY22566	HOSE	1		X X	(SUB FOR H147069)
2	TY22462	CLAMP	2		X X	(SUB FOR AR48236)
3	M78494	SPACER	4		X X	
4	AT106413	CAP	1		X X	
5	14M7298	FLANGE NUT	4		X X	M8
6	19M7865	SCREW	3		X X	M8 X 16
7	AH89557	CLIP	4		X X	
8	H147068	HOSE	1		X X	
9	AT162597	TANK	1		X X	(SUB FOR AT104021)

MEMORANDA

3C6

ELECTRICAL

CAB DOME LIGHT
HP6762 -UN-18AUG97



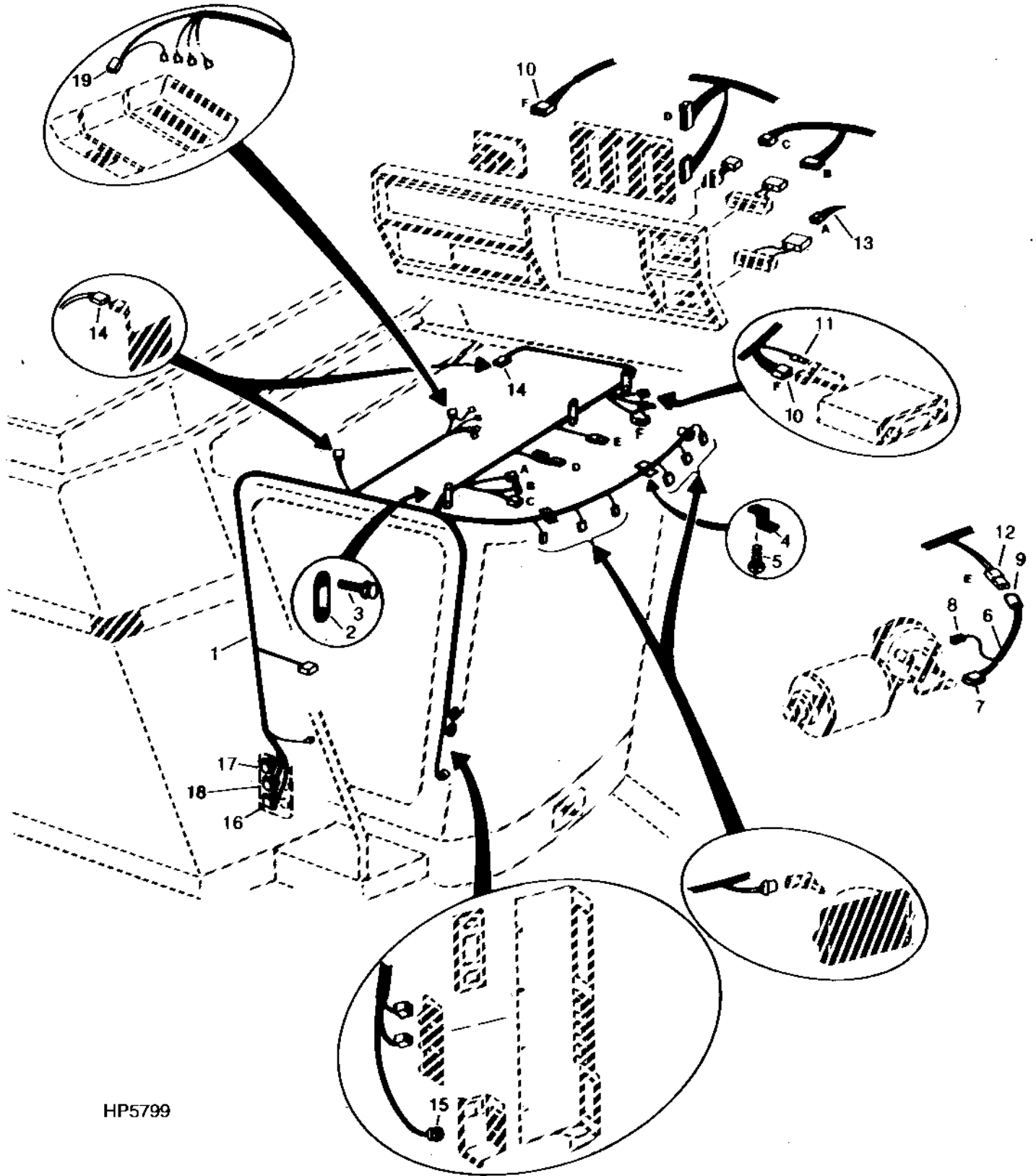
HP6762

KEY	PART NO.	PART NAME	QTY	SERIAL NO.	S	H	REMARKS
1	H131985	BASE	1	-29SE97	X	X	
	H159831	BASE	1	29SE97-	X	X	
2	57M7173	BULB	2		X	X	
3	AH126831	COVER	1	-29SE97	X	X	
	AH153626	COVER	1	29SE97-	X	X	
4	H131982	LENS	1		X	X	
5	H123995	SCREW	2		X	X	
6	AH109555	ROCKER SWITCH	1	-29SE97	X	X	
	AH153910	SWITCH	1	29SE97-	X	X	
7	AH154151	WIRING HARNESS	1	29SE97-	X	X	

3C7

ELECTRICAL

CAB WIRING HARNESS
HP5799 -UN-15OCT94



HP5799

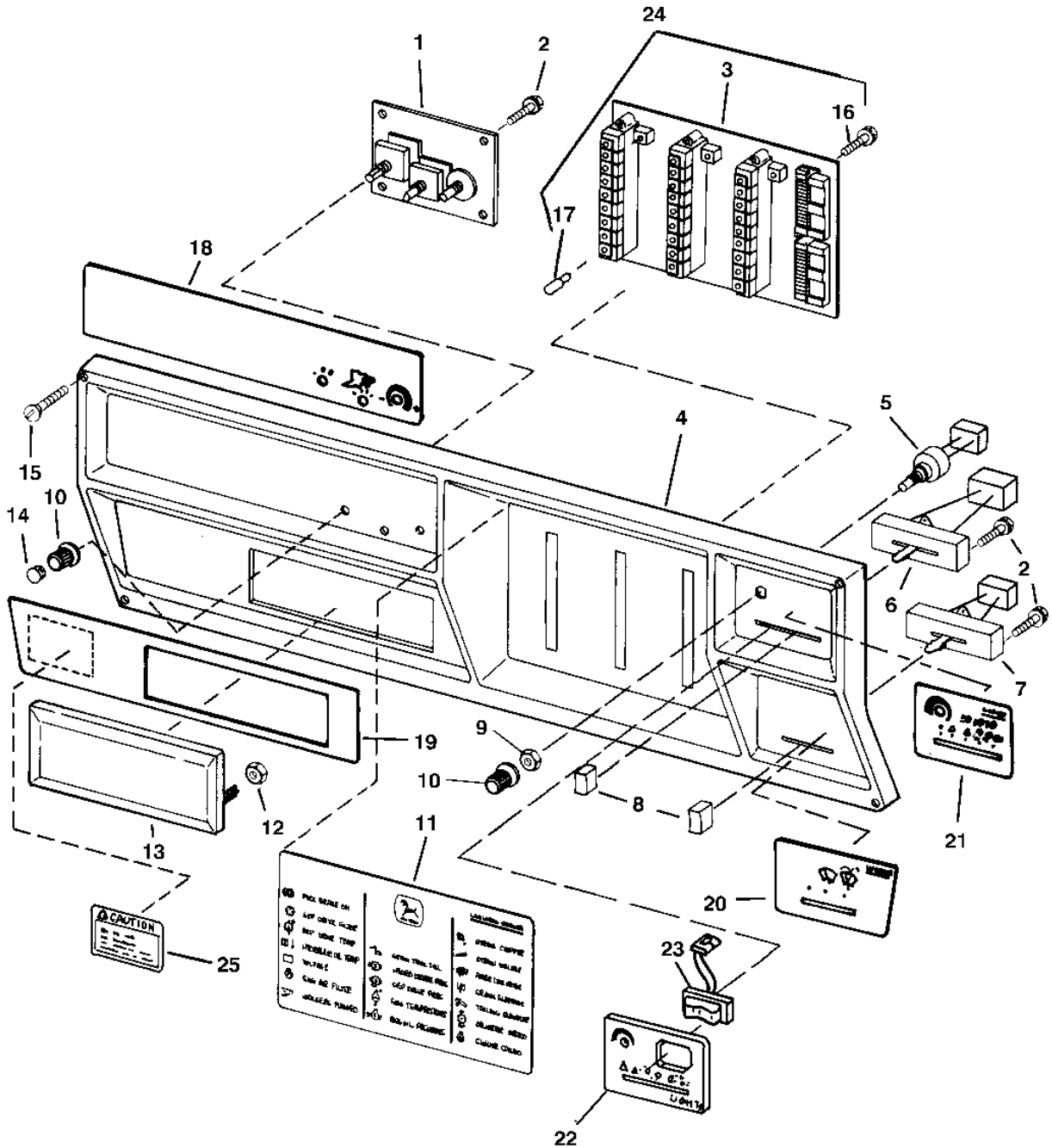
CAB WIRING HARNESS - CONTINUED

KEY	PART NO.	PART NAME	QTY	SERIAL NO.	S H 9 5 0 0	REMARKS
1	AH128415	WIRING HARNESS	1	-640200	X	(SUB AH137927, AH138279 AND (2) AH138280)
	AH151774	WIRING HARNESS	1	640201-	X X	(SUB FOR AH137927, AH136466, AH142155 OR AH145021)
2	H129440	STRAP	3		X X	
3	H114038	SCREW	6		X X	
4	AH89557	CLIP	3		X X	(SUB FOR H131302)
5	H123995	SCREW	3		X X	
6	AH126358	WIRING HARNESS	1		X X	(OPT. REG. WIPER ONLY)
	AH143422	WIRING HARNESS	1		X X	(OPTIONAL - REGULAR WIPER ONLY)
7	R77481	CONNECTOR	1		X X	(PKG. OF 2)
	U46662	TERMINAL	1		X X	(PKG. OF 25)
8	T28583	RECEPTACLE CONNECTOR BODY	1		X X	(PKG. OF 3)
	U46662	TERMINAL	1		X X	(PKG. OF 25)
9	R78053	PIN CONTACT CONNECTOR BODY	1		X X	(PKG. OF 3)
	R78061	PIN CONTACT	1		X X	(PKG. OF 40)
10	H118416	PIN CONTACT	1	-640200	X X	(6 HOLES)
	R77468	TERMINAL	1	-640200	X X	(PKG. OF 5)
11	RE12362	CONNECTOR	1	-640200	X X	(PKG. OF 3)
	R78057	SOCKET CONTACT	1	-640200	X X	(PKG. OF 40)
	R78047	SEAL	1	-640200	X X	(PKG. OF 5)
12	RE12363	CONNECTOR	1		X X	(PKG. OF 3)
	U46662	TERMINAL	1		X X	(PKG. OF 25)
	R78060	SOCKET CONTACT	1		X X	(PKG. OF 40)
	R78048	TERMINAL NIPPLE	1		X X	(PKG. OF 5)
13	T24167	RECEPTACLE CONNECTOR BODY	1		X X	
	R77464	PIN CONTACT	1		X X	(PKG. OF 50)
	U46662	TERMINAL	1		X X	
14	R77477	RECEPTACLE CONNECTOR BODY	2		X X	(PKG. OF 2)
15	H118431	CONNECTOR	1		X X	
16	H140664	CONNECTOR	1		X X	(SUB FOR H107004) (16 HOLES)
	R77464	PIN CONTACT	1		X X	
17	H118430	CONNECTOR	1		X X	(37 PIN CONNECTOR)
18	R77464	PIN CONTACT	1		X X	(PKG. OF 50)
19	R77477	RECEPTACLE CONNECTOR BODY	1		X X	(PKG. OF 2)
	U46662	TERMINAL	1		X X	(PKG. OF 25)

3C9

ELECTRICAL

OVERHEAD CONSOLE PANEL
HP6544 -UN-23AUG96



HP6544

3C10

ELECTRICAL

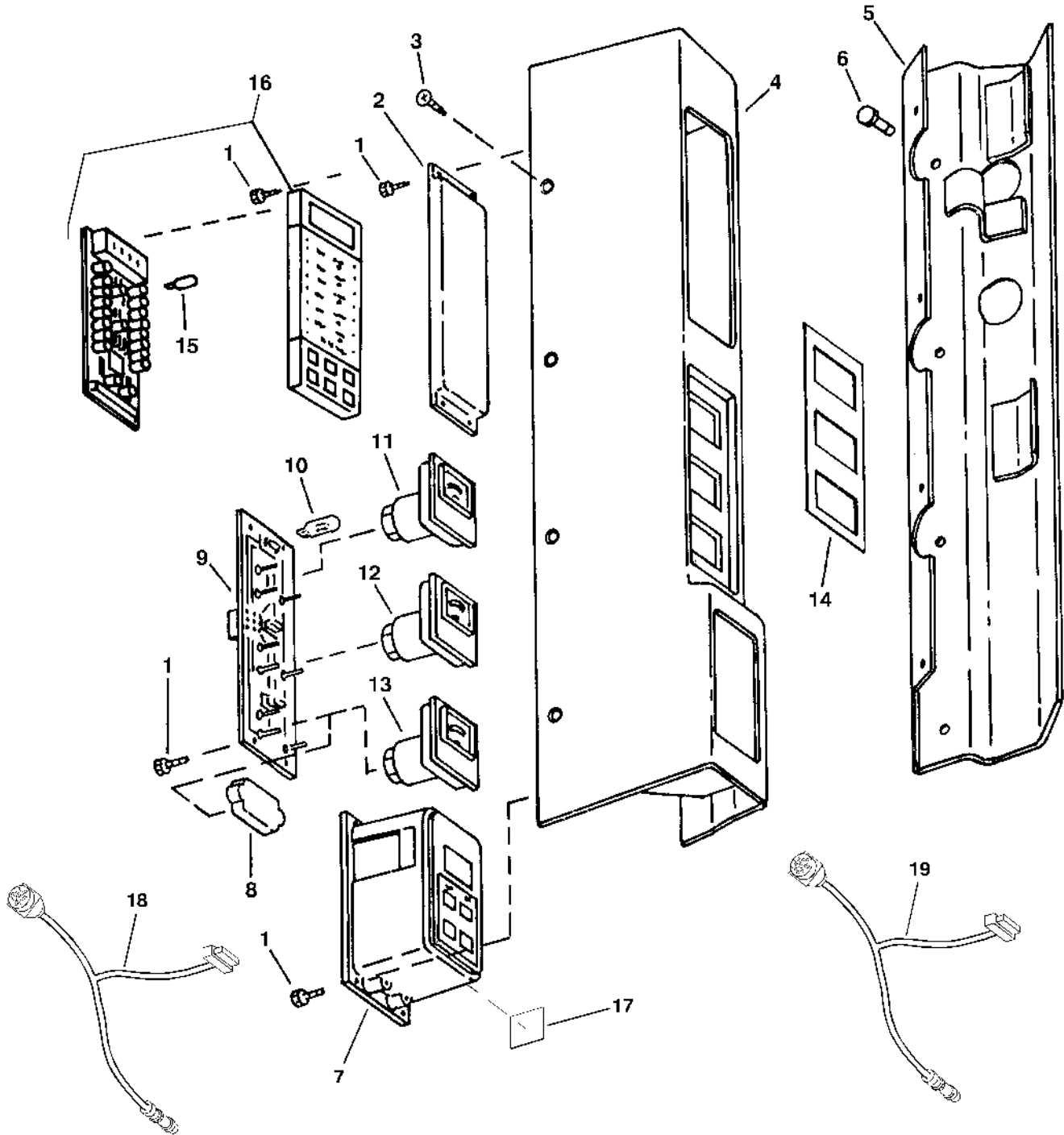
OVERHEAD CONSOLE PANEL - CONTINUED

KEY	PART NO.	PART NAME	QTY	SERIAL NO.	S H 9 5 0 0	REMARKS
1	AH125627	CIRCUIT BOARD	1		X X	WITH HARVESTRAK
2	H111364	SCREW	AR		X X	10 WITH HARVESTRAK, 6 W/O HARVESTRAK
3	AH154573	KIT	1		X X	(SUB FOR AH130129, AH136570 OR AH146208)
4	H168421	PANEL	1		X X	(SUB FOR H130152, AH140610, AH145688, AH154277 OR H161549)
5	AH115797	RHEOSTAT	1		X X	
6	AH144741	SWITCH	1	656136-	X X	(SUB FOR AH115799) LIGHTS
7	AH144742	SWITCH	1	656136-	X X	(SUB FOR AH115800) WIPER
8	H110848	KNOB	2	-656135	X X	
	H150681	KNOB	2	656136-	X X	
9	H140248	NUT	1		X X	
10	H130153	KNOB	4		X X	4 WITH HARVESTRAK, 1 W/O HARVESTRAK
11	H138798	PANEL	1	-643457	X X	(SUB FOR H132661)
	H143632	PANEL	1	643458-	X	(SUB FOR H135114) EXPORT ONLY (FRANCE)
12	H117239	FLANGE NUT	2		X X	6.350 MM (1/4") LESS RADIO
13	H132795	PANEL	1		X X	LESS RADIO
14	H113924	PLUG	3	-643087	X X	LESS HARVESTRAK (INCLUDED IN AH140610 PANEL)
	T15005	PLUG	3		X X	
15	H130194	CAP SCREW	6		X X	M4 X 30
16	H110842	SCREW	6		X X	
17	AH108380	BULB	22		X X	
18	H137539	PANEL	1		X X	HARVESTRAK GRAPHICS DECAL
	H137538	PANEL	1		X X	(LESS HARVESTRAK)
19	H145418	DECAL	1		X X	RADIO TRIM DECAL
20	H145419	DECAL	1		X X	WINDSHIELD WIPER GRAPHICS DECAL
21	H145420	DECAL	1		X X	LIGHTS GRAPHICS DECAL
22	H151376	DECAL	1	29SEP7-	X X	LIGHTS GRAPHICS DECAL W/OPTIONAL AUX FIELD LIGHTS
23	AH145674	ROCKER SWITCH	1	660201-	X X	USED WITH OPTIONAL AUX FIELD LIGHTS
24	AH154573	KIT	1	22SEP7-	X X	(SUB FOR AH146208) WARNING DISPLAY PANEL SERVICE ONLY FOR COMBINES PRE-1992
25	H155510	SIGN	1	665201-	X X	"CAUTION" SEATBELT
..	AH138289	RADIO	1	-643087	X	(SUB AH140785 AND AH140786) AM/FM RADIO WITH CASSETTE
..	AH140785	RADIO	1	-655328	X X	AM/FM RADIO WITH CASSETTE AND WEATHERBAND (DEERE DELCO); NO LONGER AVAILABLE
..	RE55277	RADIO	1	655329-	X X	(NO LONGER AVAILABLE) (ORDER DIRECTLY FROM WATERLOO)
..	AH138099	RADIO	1	-643087	X	(SUB AH140784 AND AH140786) AM/FM RADIO
..	AH140784	RADIO	1	-655685	X X	AM/FM RADIO (DEERE DELCO); NO LONGER AVAILABLE
..	RE55278	RADIO	1			(NO LONGER AVAILABLE) (ORDER DIRECTLY FROM DELCO)
..	AH140786	KIT	1		X X	RADIO MOUNTING PARTS

3C11

ELECTRICAL

CAB POST INSTRUMENT PANEL
HP7510 -UN-06MAY98



HP7510

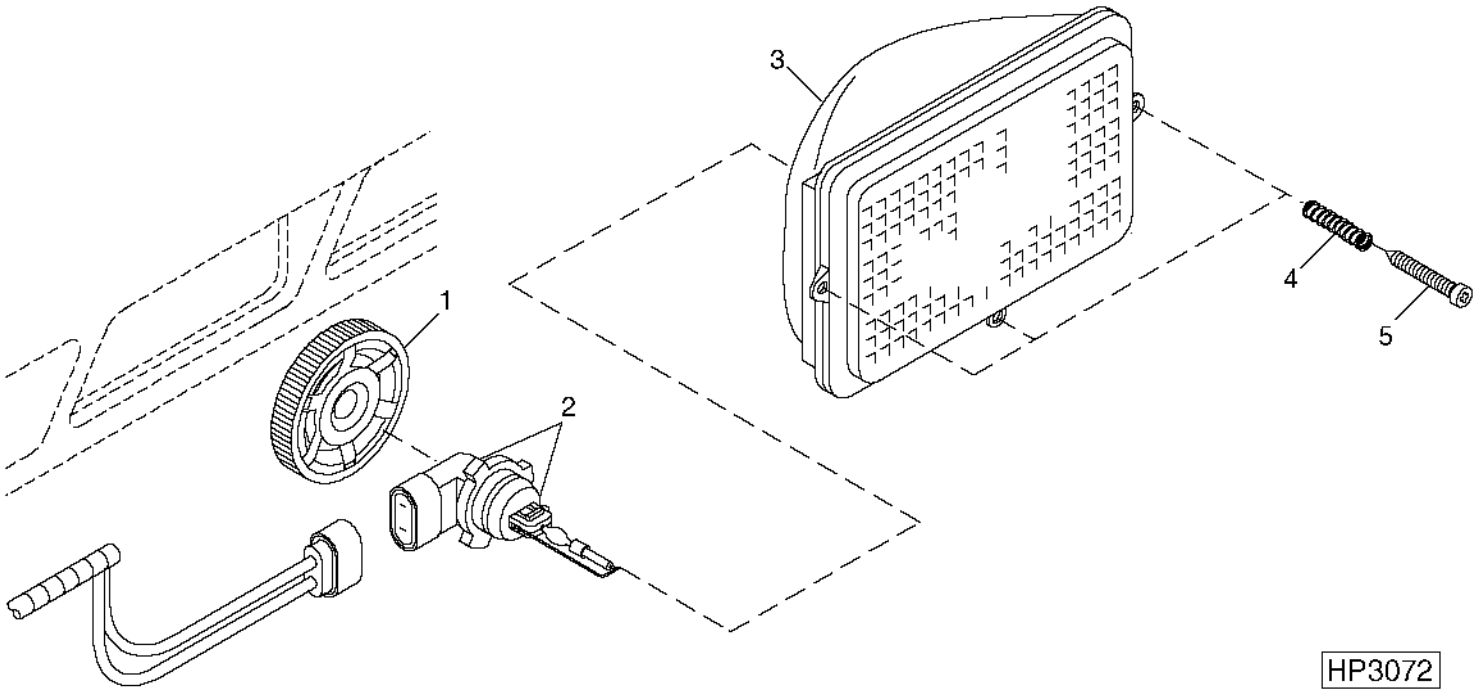
CAB POST INSTRUMENT PANEL - CONTINUED

KEY	PART NO.	PART NAME	QTY	SERIAL NO.	S H 9 5 0 0	REMARKS
1	21M7268	SCREW	4		X X	M3 X 6
2	H130058	PANEL	1		X X	USE WITHOUT DATA CENTER
3	H158579	SCREW	4		X X	M5 X 12, (SUB FOR H130195)
4	AH140609	PANEL	1		X X	(SUB FOR H124222)
5	AH120570	BRACKET	1		X X	
6	37M7089	SCREW	AR		X X	M6 X 12
7	AH163526	KIT	1		X X	(SUB FOR AH128015, AH136006, AH139889, AH141791, AH142490, AH143068, AH147555, AH159984 OR AH161335)
8	H129686	COVER	1		X X	USE ONLY WITHOUT HARVESTRAK
9	AH141984	CIRCUIT BOARD	1		X X	(SUB FOR AH127572)
10	AA27536	BULB	3		X X	
11	AH120444	GAUGE	1		X X	FOR FUEL
12	AH139129	TEMPERATURE GAUGE	1	-666037	X X	(SUB FOR AH120443) ENGINE
	AH159352	TEMPERATURE GAUGE	1	666038-	X X	(SUB FOR AH148354) ENGINE
13	AH120445	GAUGE	1		X X	HARVESTRAK
14	H145417	DECAL	1		X X	GAUGE GRAPHICS DECAL
15	AH108380	BULB	20		X X	
16	AH148192	KIT	1		X X	(SUB FOR AH145565 OR AH142057) COMBINE DATA CENTER, INCLUDES LABELS AND INSTRUCTIONS
17	R133617	LABEL	1	29SE97-	X X	
18	AH155577	WIRING HARNESS	1	3NOV97-	X	
19	AH155928	WIRING HARNESS	1	3NOV97-	X	
..	BH81456	COMPLETE GOODS/SHIP. BUNDLE	1		X X	SIDEHILL CONCAVE INDICATOR
..	BH81356	COMPLETE GOODS/SHIP. BUNDLE	1		X X	DIGITAL CONCAVE INDICATOR

3C13

ELECTRICAL

CAB ROOF LIGHTS
HP3072 -UN-24AUG99



HP3072

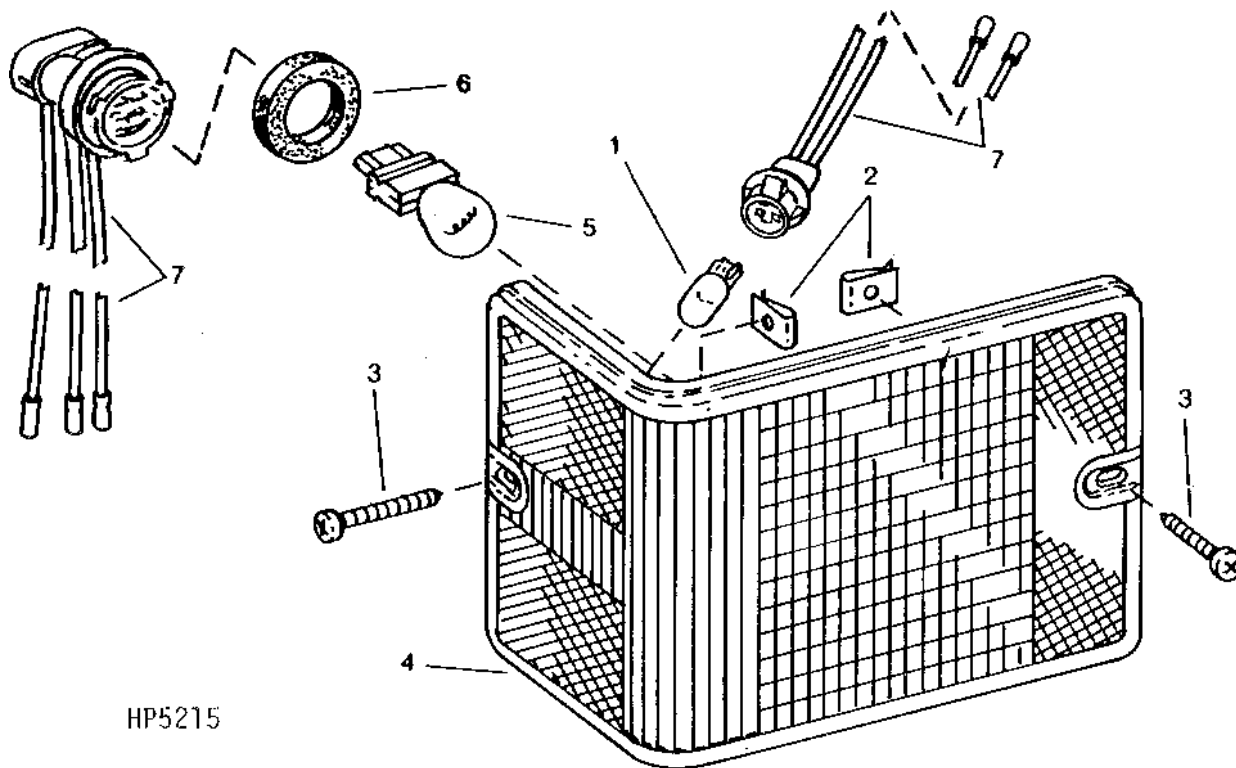
KEY	PART NO.	PART NAME	QTY	SERIAL NO.	S H 9 9 5 5 0 0 0 0	REMARKS
1	H132900	RETAINER	6		X X	
2	AH127718	BULB	6		X X	
3	AH128327	FLOODLAMP	4		X X	
	AH128328	FLOODLAMP	2		X X	
4	H130299	SPRING	18		X X	
5	H130298	SCREW	18		X X	M5 X 40
..	BH81453	COMPLETE GOODS/SHIP. BUNDLE	1		X X	SHOE ADJUSTING LIGHT CONVERSION

3C14

ELECTRICAL

FRONT AND REAR TURN AND TAIL LIGHTS

HP5215 -UN-01JAN94



HP5215

KEY	PART NO.	PART NAME	QTY	SERIAL NO.	S H 9 9 5 5 0 0 0 0	REMARKS
1	AR62407	BULB	6		X X	
2	H140628	NUT	12		X X	4.826 MM (0.190") (SUB FOR H129940)
3	H140627	SCREW	12		X X	(SUB FOR 37M7182)
4	AH123014	LAMP	1		X X	AMBER, R.H. FRONT
	AH123015	LAMP	1		X X	AMBER, L.H. FRONT
	AH123016	LAMP	2		X X	RED, R.H. AND L.H. REAR
	AH123017	TAIL LAMP	2		X X	AMBER, R.H. AND L.H. REAR
5	H133384	BULB	6		X X	
6	H141955	SEAL	1		X X	
7	AH140120	KIT	1		X X	SOCKET KIT (CONTAINS ONE LARGE REAR SOCKET AND ONE SMALL SIDE SOCKET)

3C16

ELECTRICAL

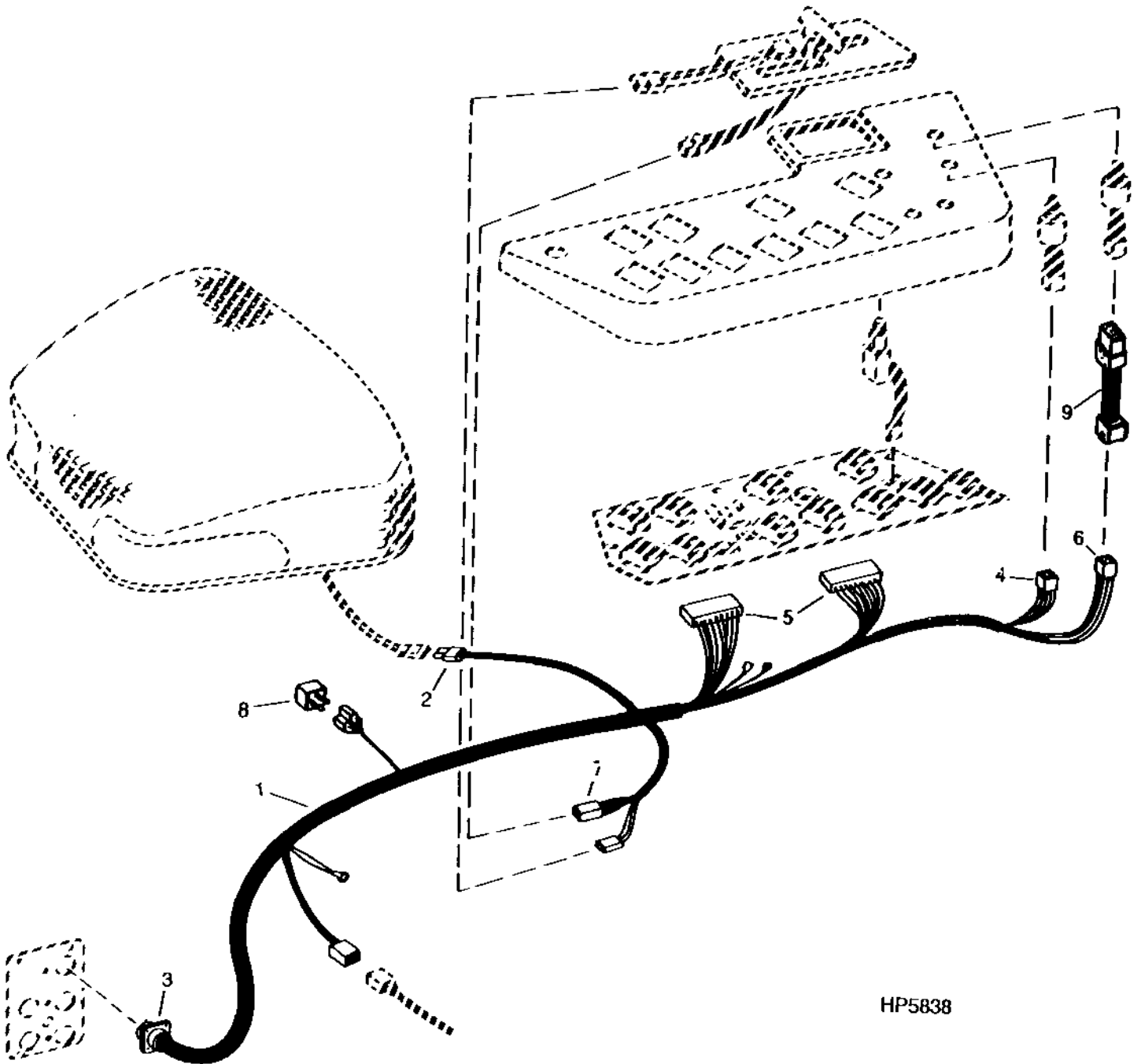
AUXILIARY FIELD LIGHTING (FIELD INSTALLED) - CONTINUED

KEY	PART NO.	PART NAME	QTY	SERIAL NO.	S H 9 5 0 0	REMARKS
1	H147249	BRACKET	1		X X	
2	H111706	SCREW	2		X X	
3	AH87806	SWITCH	1		X X	TO BRACKET IN CAB
4	37H147	SCREW	1		X X	TO RELAY PANEL
5	AH141171	WIRING HARNESS	1		X X	ROUTE ALONG R.H. MAIN WIRING HARNESS
6	14H631	NUT	2		X X	0.190"
7	12H246	LOCK WASHER	2		X X	0.190"
8	24M7027	WASHER	2		X X	5.300 X 10 X 1 MM
9	AH141131	WIRING LEAD	1		X X	ONE END TO BUSS BAR, OTHER TO CIRCUIT BREAKER
10	37H147	SCREW	2		X X	
11	AR28403	CIRCUIT BREAKER	1		X X	(20 AMP) ATTACH TO ENGINE COMPARTMENT RELAY
12	T28585	TAB CONNECTOR BODY	1		X X	
13	AT135485	FLOODLAMP	1		X X	TO LEFT HAND SIDE
14	AH140706	KIT	1		X X	CONTAINS TWO HALF CLAMPS
15	19M7867	SCREW	1		X X	M8 X 25
16	T28585	TAB CONNECTOR BODY	1		X X	
17	AT135485	FLOODLAMP	1		X X	TO RIGHT HAND SIDE
18	AH140706	KIT	1		X X	CONTAINS TWO HALF CLAMPS
19	19M7867	SCREW	1		X X	M8 X 25
..	R44302	TIE BAND	AR		X X	USE TO SECURE WIRING HARNESS TO ENGINE HARNESS
..	BH79711	COMPLETE GOODS/SHIP. BUNDLE	1		X X	OPTIONAL FIELD LIGHTS

3C17

ELECTRICAL

ARMREST WIRING HARNESS
HP5838 -UN-15OCT94



HP5838

3C18

ELECTRICAL

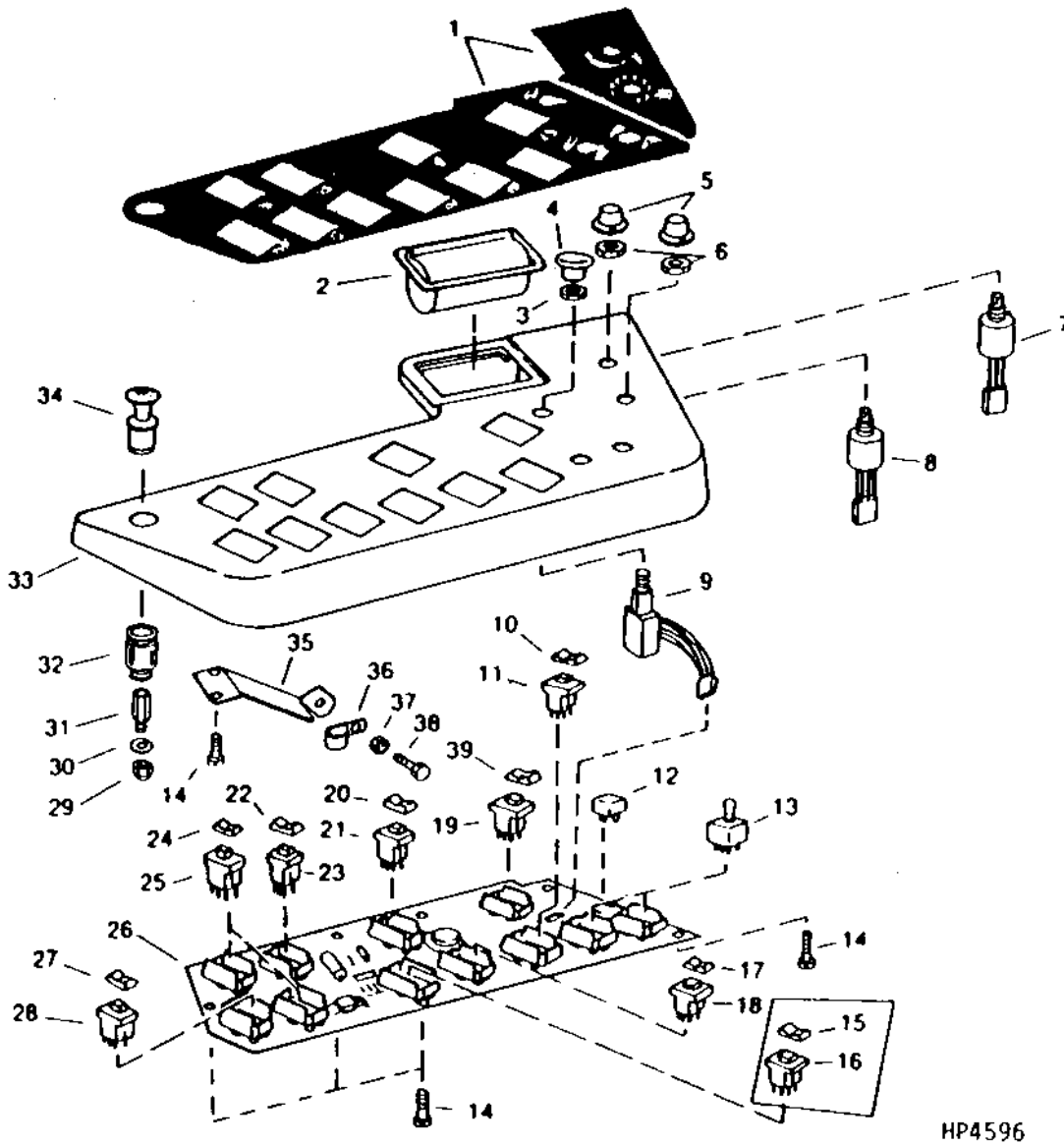
ARMREST WIRING HARNESS - CONTINUED

KEY	PART NO.	PART NAME	QTY	SERIAL NO.	S H 9 5 0 0	REMARKS
1	AH145026	WIRING HARNESS	1		X X	(SUB FOR AH128419, AH136467 OR AH143301)
2	RE12363	CONNECTOR	1		X X	(PKG. OF 5)
	R78048	TERMINAL NIPPLE	1		X X	(PKG. OF 3)
	R78063	TERMINAL NIPPLE	1		X X	(PKG. OF 40)
	R78060	SOCKET CONTACT	1		X X	(PKG. OF 40)
3	H118430	CONNECTOR	1		X X	(37 PIN CONNECTOR)
4	AH116902	CONNECTOR	1		X X	CONNECTS TO DIAL-A-SPEED SWITCH
5	R77465	SOCKET CONTACT	AR		X X	
6	R77465	SOCKET CONTACT	AR		X X	CONNECTS TO ADAPTER HARNESS
7	AH116902	CONNECTOR	1	-660200	X X	CONNECTS TO SWITCHES IN HYDRO HANDLE
8	AH106612	RELAY	1		X X	
9	AH145962	WIRING HARNESS	1	-661185	X	CONNECTS TO DIAL-A-MATIC SWITCH
	AH146207	WIRING HARNESS	1	661186-	X	CONNECTS TO DIAL-A-MATIC SWITCH (INCLUDES DECAL)

3C19

ELECTRICAL

ARMREST CONTROL PANEL
HP4596 -UN-29JUN92



ARMREST CONTROL PANEL - CONTINUED

KEY	PART NO.	PART NAME	QTY	SERIAL NO.	S H 9 5 0 0	REMARKS
1	H129723	PANEL	1	-640200	X X	
	H145284	PANEL	1	640201-	X X	(SUB FOR H138407)
	H150929	PANEL	1	660201-	X	(CONTOUR MASTER)
2	AH104259	ASHTRAY	1		X X	
3	H140248	NUT	1		X X	(SUB FOR H94505)
4	H134169	KNOB	1		X X	
5	AH126811	KNOB	1		X X	(OPT)
6	H106246	LOCK NUT	1		X X	(OPT)
7	AH145947	SWITCH	1		X X	(SUB FOR AH121199 OR AH135951)
8	AH121190	SWITCH	1		X X	DIAL-A-SPEED (OPT)
9	AH128904	SWITCH	1		X X	UNLOADING AUGER ENGAGE
10	H143918	ACTUATOR	1		X X	(SUB FOR H130448)
	H159740	LABEL	1		X X	(SUB FOR H144562, H145511 OR H151908)
11	AH109120	SWITCH	1		X X	MANUAL REEL SPEED
12	AH106612	RELAY	1		X X	
13	AH111704	TOGGLE SWITCH	2		X X	HEADER ENGAGE OR SEPARATOR ENGAGE
14	H111706	SCREW	4		X X	
15	H143918	ACTUATOR	1		X X	(SUB FOR H132965) PARK BRAKE
	H159740	LABEL	1		X X	(SUB FOR H145511, H144562 OR H151908)
16	AH111705	ROCKER SWITCH	1		X X	PARK BRAKE, MANUAL BRAKE USED 1991 & UP (CONTOUR MASTER)
17	H143918	ACTUATOR	1		X X	REEL FORE AND AFT, (SUB FOR H130450)
	H159740	LABEL	1		X X	(SUB FOR H145511, H144562 OR H151908)
18	AH109120	SWITCH	1		X X	REEL FORE AND AFT
19	AH112169	ROCKER SWITCH	1		X X	UNLOADING AUGER SWING
20	H143918	ACTUATOR	1		X X	ENGINE SPEED (TWO SPEED) (SUB FOR H130455)
	H159740	LABEL	1		X X	(SUB FOR H145511, H144562 OR H151908)
21	AH111705	ROCKER SWITCH	1		X X	ENGINE SPEED (TWO SPEED)
	AH112169	ROCKER SWITCH	1	640201-	X X	ENGINE SPEED (THREE SPEED)
22	H143918	ACTUATOR	1		X X	4-WHEEL DRIVE (OPT) (SUB FOR H130454)
	H159740	LABEL	1		X X	(SUB FOR H145511, H144562 OR H151908)
23	AH111705	ROCKER SWITCH	1		X X	4-WHEEL DRIVE (OPT)
24	H143918	ACTUATOR	1		X X	(SUB FOR H130448) CLEANING FAN OR CYCL. SPEED
	H159740	LABEL	1		X X	(SUB FOR H145511, H144562 OR H151908)
25	AH109120	SWITCH	1		X X	CLEANING FAN OR CYL. SPEED
26	AH153332	CIRCUIT BOARD	1		X X	(SUB FOR AH130543, AH137788, AH137212, AH141265 OR AH143720)
27	H143918	ACTUATOR	1		X X	(SUB FOR H130449) CONCAVE SPACING
	H159740	LABEL	1		X X	(SUB FOR H145511, H144562 OR H151908)
28	AH109120	SWITCH	1		X X	CONCAVE SPACING
29	14H605	NUT	1		X X	0.164"
30	12M7084	LOCK WASHER	1		X X	4.300 MM (0.169") (SUB FOR 12H290)
31	H129367	SPACER	1		X X	
32	AR56766	HOUSING	1		X X	
33	AH125240	COVER	1	-640200	X	(SUB H129723 AND H143593)
	H168426	COVER	1		X	(SUB FOR H143593)
34	AT26407	LIGHTER	1		X X	
35	H126846	BRACKET	1		X X	
36	AH117301	CLAMP	1	-642858	X	
	AH90990	CLIP	1	642859-	X X	
37	14M7298	FLANGE NUT	1		X X	M8
38	19M7865	SCREW	1		X X	M8 X 16
39	H143918	ACTUATOR	1		X X	(SUB FOR H130453) UNLOADING AUGER SWING
	H159740	LABEL	1		X X	(SUB FOR H145511, H144562 OR H151908)
..	BH79485	COMPLETE GOODS/SHIP. BUNDLE	1		X X	DIAL-A-SPEED CONTROL

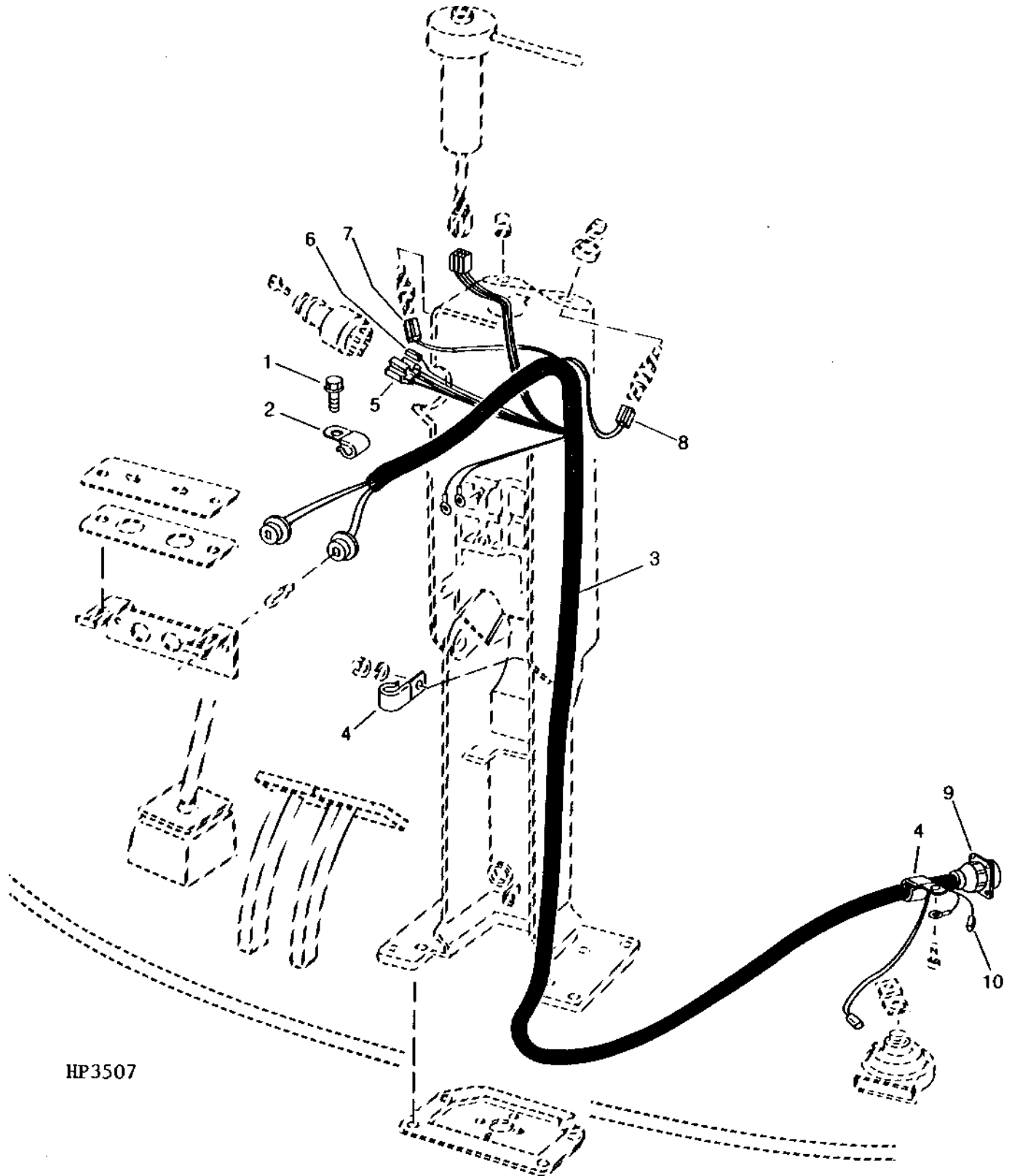
3C21

ELECTRICAL

STEERING COLUMN WIRING HARNESS

(-646236)

HP3507 -UN-01JAN94



HP3507

STEERING COLUMN WIRING HARNESS - CONTINUED

(-646236)

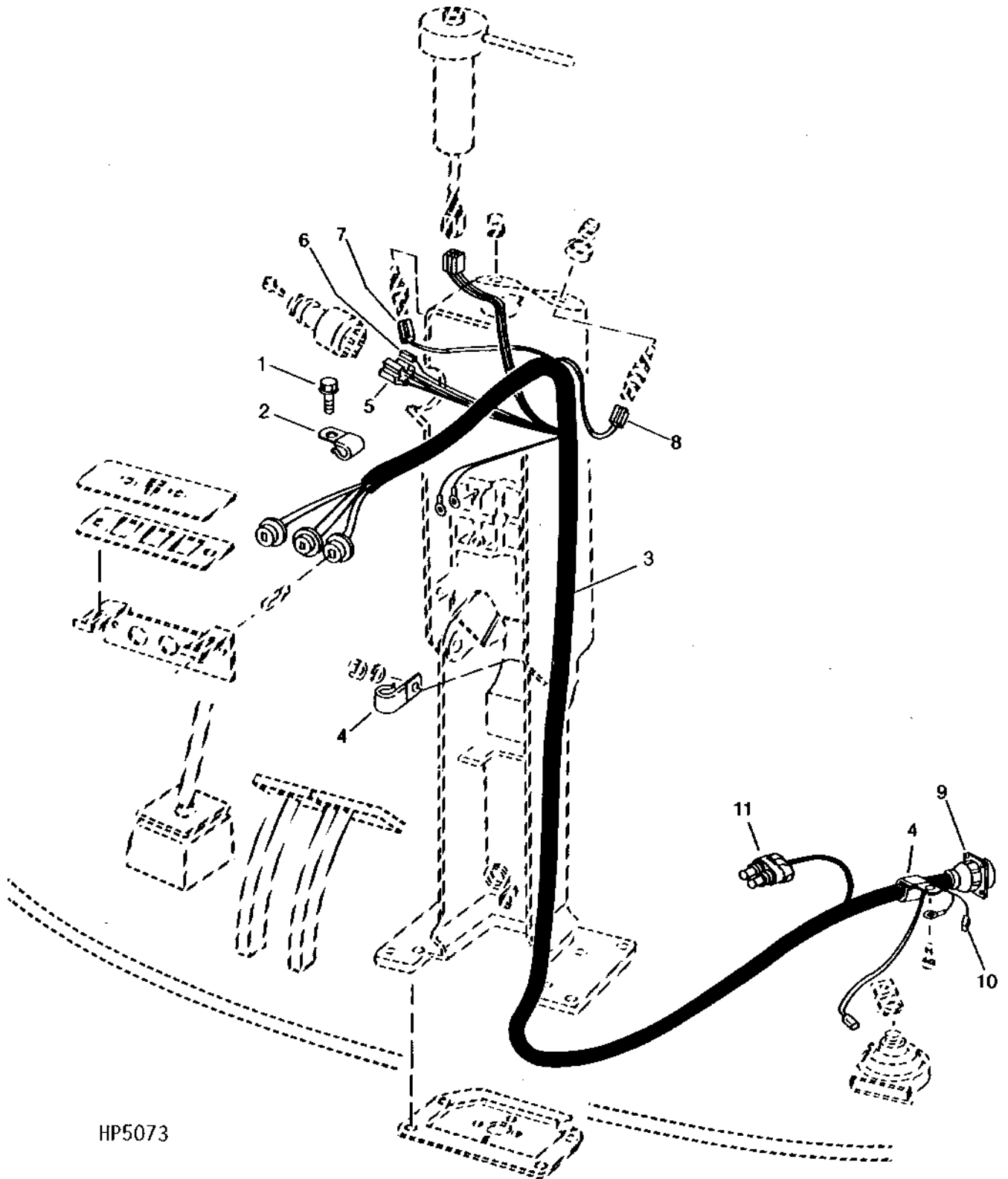
KEY	PART NO.	PART NAME	QTY	SERIAL NO.	S H 9 5 0 0 0 0	REMARKS
1	37M7083	SCREW	1		X	M8 X 12
2	AH89557	CLIP	1		X	
3	AH134296	WIRING HARNESS	1		X	(SUB FOR AH128401 OR AH134225)
4	AH96317	CLIP	2		X	(SUB FOR AH89486)
5	L38138	RECEPTACLE CONNECTOR BODY	1		X	CONNECT TO KEY SWITCH
	M71442	TERMINAL	1		X	
6	T28583	RECEPTACLE CONNECTOR BODY	1		X	CONNECT TO KEY SWITCH
	U46662	TERMINAL	1		X	
7	M71184	CONNECTOR	1		X	CONNECT TO HORN SWITCH
	M71442	TERMINAL	1		X	
	U46663	TERMINAL	1		X	
8	M71184	CONNECTOR	1		X	CONNECT TO ETHER AID BUTTON
	M71442	TERMINAL	1		X	
9	57M7199	RECEPTACLE	1		X	(24 HOLES, PLAIN)
10	R78053	PIN CONTACT CONNECTOR BODY	1		X	(PKG OF 3)

3C23

ELECTRICAL

STEERING COLUMN WIRING HARNESS

(646237-)
HP5073 -UN-01JAN94



HP5073

3C24

ELECTRICAL

STEERING COLUMN WIRING HARNESS - CONTINUED
(646237-)

KEY	PART NO.	PART NAME	QTY	SERIAL NO.	S H 9 9 5 5 0 0 0 0	REMARKS
1	37M7083	SCREW	1		X X	M8 X 12
2	AH89557	CLIP	1		X X	
3	AH134296	WIRING HARNESS	1		X X	
4	AH96317	CLIP	2		X X	(SUB FOR AH89486)
5	L38138	RECEPTACLE CONNECTOR BODY	1		X X	CONNECT TO KEY SWITCH
	M71442	TERMINAL	1		X X	
6	T28583	RECEPTACLE CONNECTOR BODY	1		X X	CONNECT TO KEY SWITCH
	U46662	TERMINAL	1		X X	
7	M71184	CONNECTOR	1		X X	CONNECT TO THE HORN SWITCH
	M71442	TERMINAL	1		X X	
	U46663	TERMINAL	1		X X	
8	M71184	CONNECTOR	1		X X	CONNECT TO ETHER AID BUTTON
	M71442	TERMINAL	1		X X	
9	57M7199	RECEPTACLE	1		X X	(24 HOLES, PLAIN)
10	R78053	PIN CONTACT CONNECTOR BODY	1		X X	(PKG. OF 3)
11	RE12363	CONNECTOR	1		X X	TWO PIN, (PKG. OF 5), CONNECTS TO MANUAL PARK BRAKE SWITCH
	R78048	TERMINAL NIPPLE	1		X X	(PKG. OF 3)
	R78063	TERMINAL NIPPLE	1		X X	(PKG. OF 40)
	R78060	SOCKET CONTACT	1		X X	(PKG. OF 40)

3D2

ELECTRICAL

AIR CONDITIONER AND HEATER WIRING HARNESS - CONTINUED

(-660200)

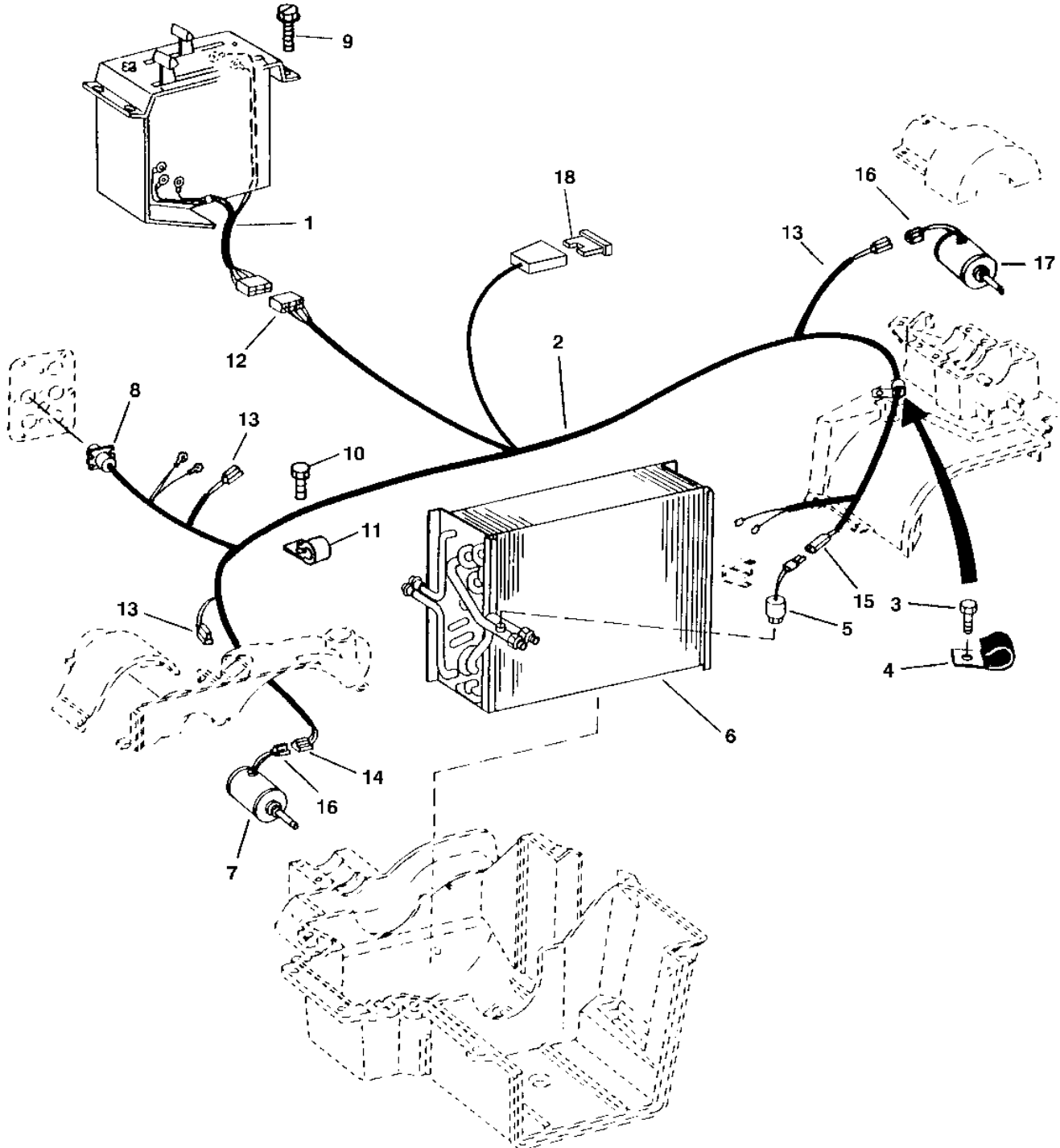
KEY	PART NO.	PART NAME	QTY	SERIAL NO.	S H 9 5 0 0 0 0	REMARKS
1	AH144096	CONTROL	3		X X	(SUB FOR AH118796 OR AH140169)
2	AH148616	WIRING HARNESS	1		X X	(SUB FOR AH128402, AH144018 OR AH136896)
3	AH128925	MOTOR	1		X X	(USE WITH H129887) PRESSURIZER
	H129887	ISOLATOR	1		X X	(USE WITH AH128925)
4	19M7862	SCREW	1		X X	M6 X 20
5	AH89557	CLIP	1	-640294	X	
6	AH144084	SWITCH	1		X X	(SUB FOR AH116110) LOW PRESSURE
7	AH132264	EVAPORATOR	1		X X	(SUB FOR AH130957)
8	AH128926	MOTOR	1		X X	AC/HEATER
9	H130511	CONNECTOR	1		X X	
	R78061	PIN CONTACT	1		X X	(PKG. OF 40)
10	H114038	SCREW	4		X X	
11	H123998	SCREW	1		X X	
12	AH96317	CLIP	1		X X	(SUB FOR AH89486)
13	T34067	TERMINAL	1		X X	(PKG. OF 25)
14	R77483	CONNECTOR	1		X X	TO RESISTOR
15	R77476	CONNECTOR	2		X X	(PKG. OF 2)
16	R78053	PIN CONTACT CONNECTOR BODY	1		X X	(PKG. OF 3)
	R78061	PIN CONTACT	1		X X	(PKG. OF 40)
	T34067	TERMINAL	1		X X	(PKG. OF 25)
17	T28586	CONNECTOR	1		X X	

3D3

ELECTRICAL

AIR CONDITIONER, HEATER AND AIR SEAT WIRING HARNESS

(660201-)
HP6534 -UN-23AUG96



HP6534

3D4

ELECTRICAL

AIR CONDITIONER, HEATER AND AIR SEAT WIRING HARNESS - CONTINUED
(660201-)

KEY	PART NO.	PART NAME	QTY	SERIAL NO.	S H 9 5 0 0 0 0	REMARKS
1	AH144096	CONTROL	1		X X	(INCLUDES (3) M48109 AND M82321)
	24H1914	WASHER	3		X X	3.175 X 7.925 X 0.813 MM (1/8" X 5/16" X 0.032")
	M82321	NUT	1	-650670	X X	6.100 MM (0.240")
	M80082	NUT	1	650671-	X X	6.350 MM (1/4")
2	AH148616	WIRING HARNESS	1		X X	(SUB FOR AH136896)
3	19M7862	SCREW	1		X X	M6 X 20
4	AH89557	CLIP	1		X X	
5	AH116110	SWITCH	1		X X	LOW TEMP
6	AH132264	EVAPORATOR	1		X X	EVAPORATOR AND HEATER COMBINATION
7	AH128926	MOTOR	1		X X	
8	H130511	CONNECTOR	1		X X	(4 PIN)
	R78061	PIN CONTACT	1		X X	(PKG OF 40)
9	H114038	SCREW	4		X X	
10	H123998	SCREW	1		X X	
11	AH96317	CLIP	1		X X	(SUB FOR AH89486)
12	T34067	TERMINAL	1		X X	(PKG OF 25)
13	R77483	CONNECTOR	3		X X	(2 PIN)
14	R77476	CONNECTOR	1		X X	(PKG OF 2) (3 PIN)
15	R78053	PIN CONTACT CONNECTOR BODY	1		X X	(PKG OF 3) (2 PIN)
	R78061	PIN CONTACT	1		X X	(PKG OF 40)
	T34067	TERMINAL	1		X X	(PKG OF 25)
16	T28586	CONNECTOR	1		X X	(3 PIN)
17	AH128925	MOTOR	1		X X	PRESSURIZER
18	AM108845	KIT	1		X X	COMPRESSOR CLUTCH, 10 AMP

3D5

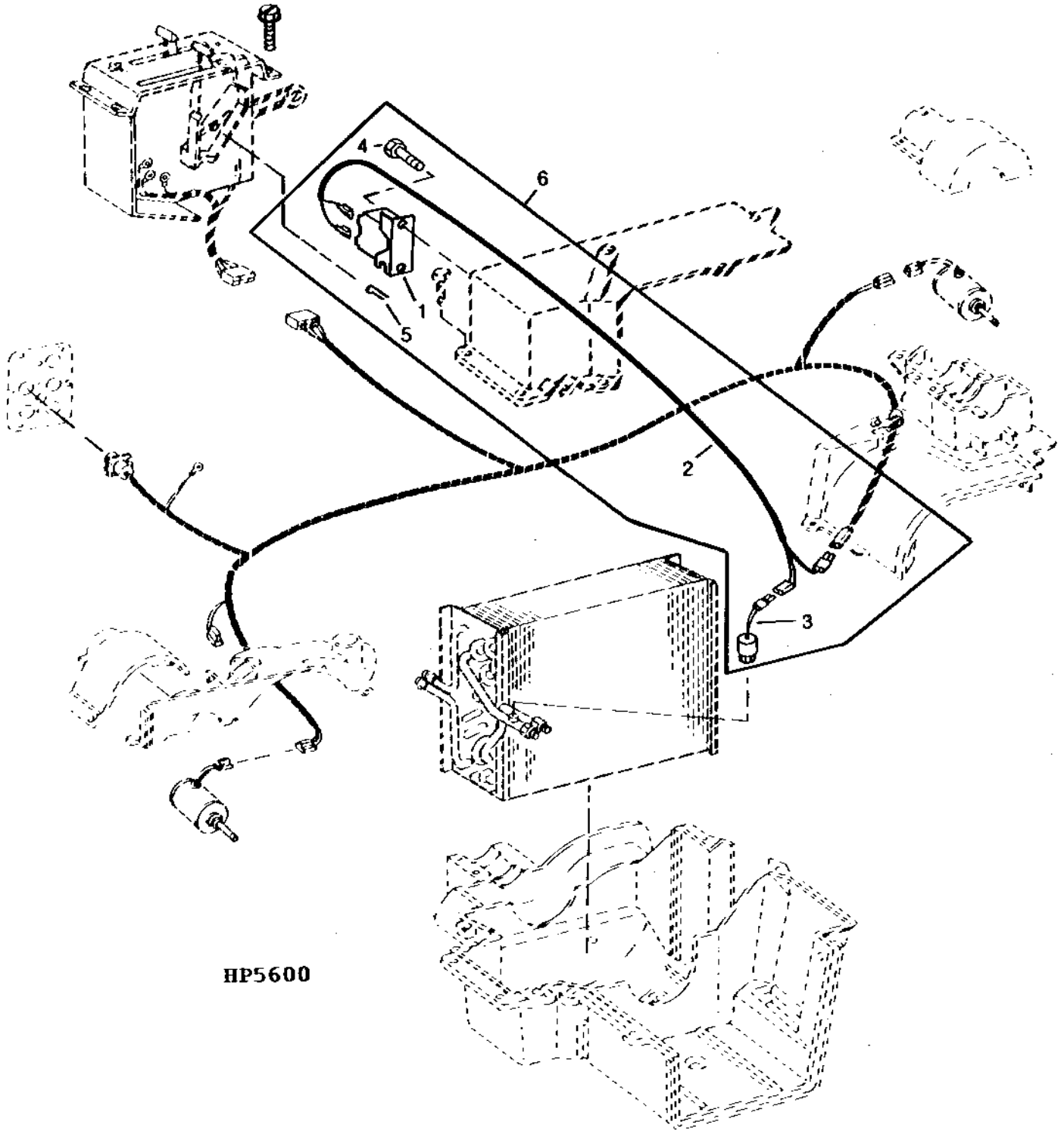
ELECTRICAL

AIR CONDITIONER THERMOSTAT KIT

(630201-640200)

HP5600

-UN-01JAN94



HP5600

3D6

ELECTRICAL

AIR CONDITIONER THERMOSTAT KIT - CONTINUED
(630201-640200)

KEY	PART NO.	PART NAME	QTY	SERIAL NO.	S H 9 9 5 5 0 0 0 0	REMARKS
1	AH144020	THERMOSTAT	1		X X	
2	AH144019	WIRING HARNESS	1		X X	
3	AH144084	SWITCH	1		X X	
4	H123998	SCREW	2		X X	
5	H150099	SPRING LOCKING PIN	1		X X	
6	AH144338	KIT	1		X X	

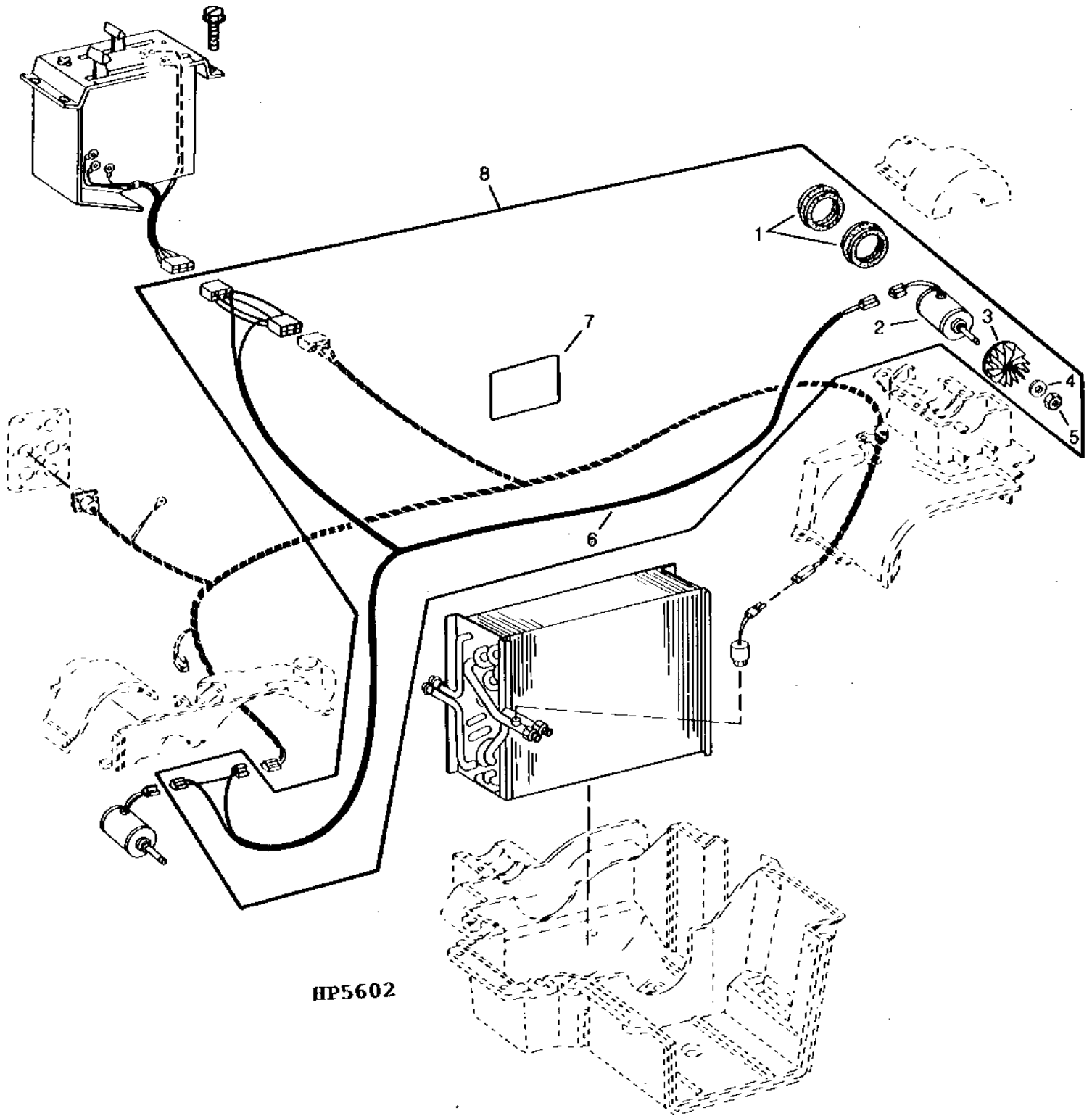
3D7

ELECTRICAL

AIR CONDITIONER PRESSURIZER FAN KIT

(640201-650200)

HP5602 -UN-01JAN94

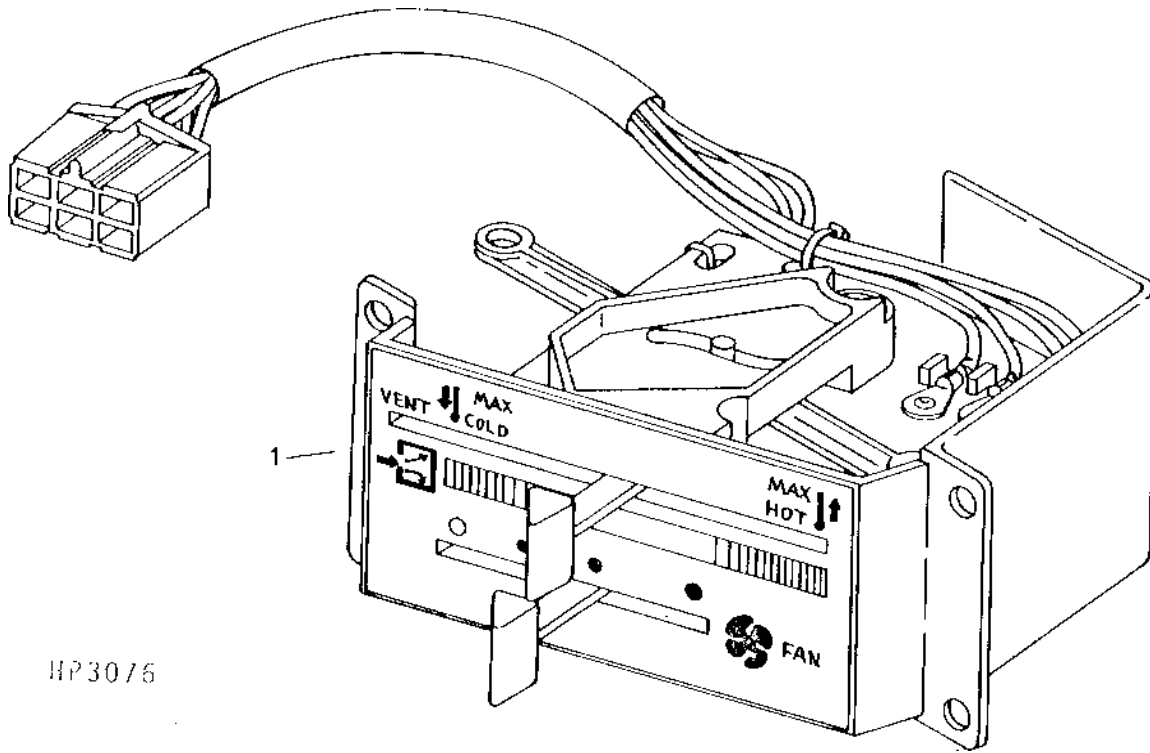


HP5602

AIR CONDITIONER PRESSURIZER FAN KIT - CONTINUED
(640201-650200)

KEY	PART NO.	PART NAME	QTY	SERIAL NO.	REMARKS
					S H 9 9 5 5 0 0 0 0
1	H115521	ISOLATOR	2	X X	
2	AH128925	MOTOR	1	X X	(USE WITH H129887)
	H129887	ISOLATOR	1	X X	(USE WITH AH128925)
3	H124185	FAN	1	X X	
4	24M7117	WASHER	1	X X	4.300 X 9 X 0.800 MM
5	14M7264	LOCK NUT	1	X X	M4
6	AH144044	WIRING HARNESS	1	X X	
7	H150119	LABEL	1	X X	
8	AH144339	KIT	1	X X	

AIR CONDITIONER AND HEATER SWITCH
 HP3076 -UN-01JAN94



HP3076

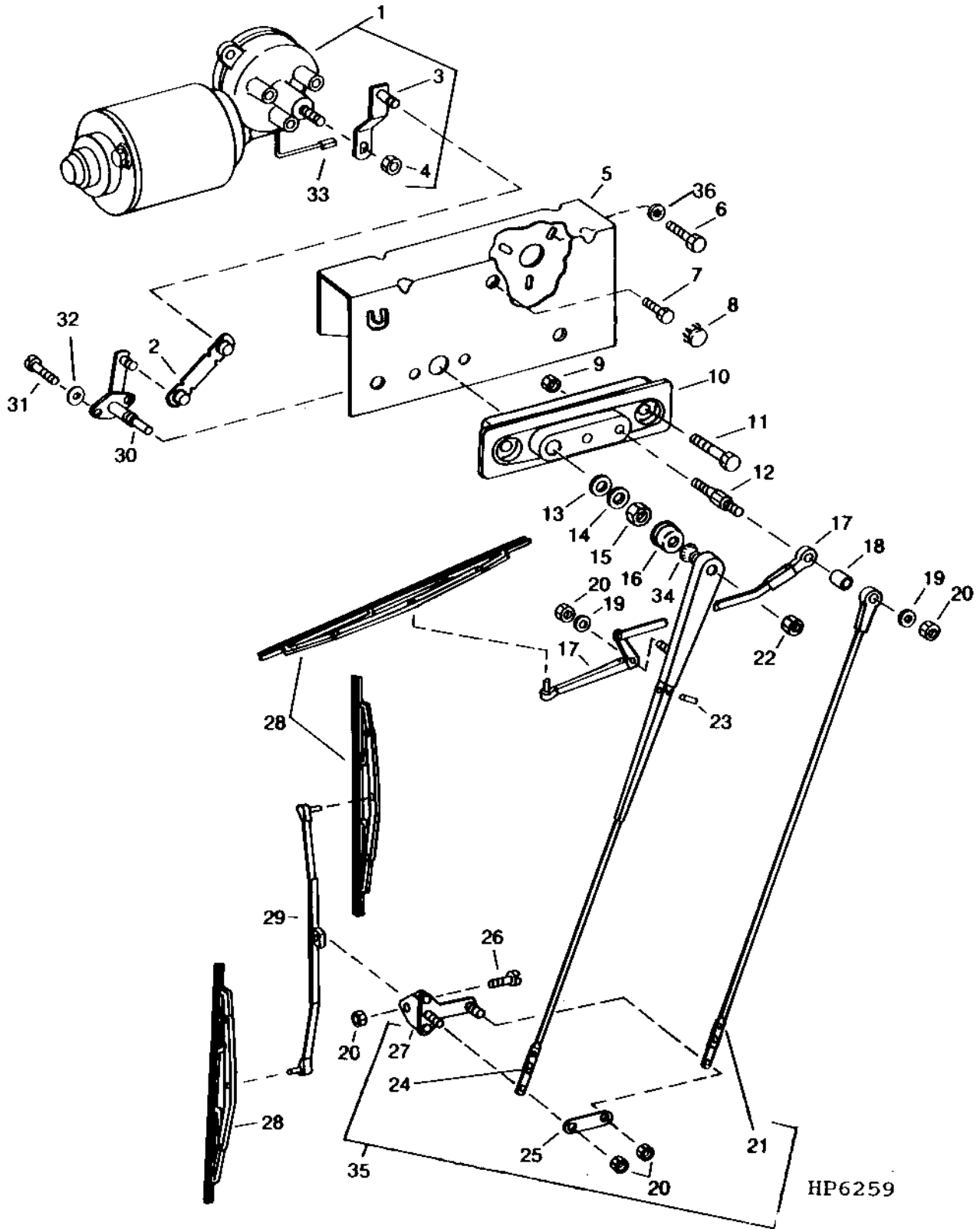
KEY	PART NO.	PART NAME	QTY	SERIAL NO.	REMARKS
1	AH144096	CONTROL	1	S H 9 9 5 5 0 0 0 0	X X (SUB FOR AH118796 OR AH140169)

MEMORANDA

3D10

ELECTRICAL

WINDSHIELD WIPER (OPT. LONG)
HP6259 -UN-09JAN96



3D11

ELECTRICAL

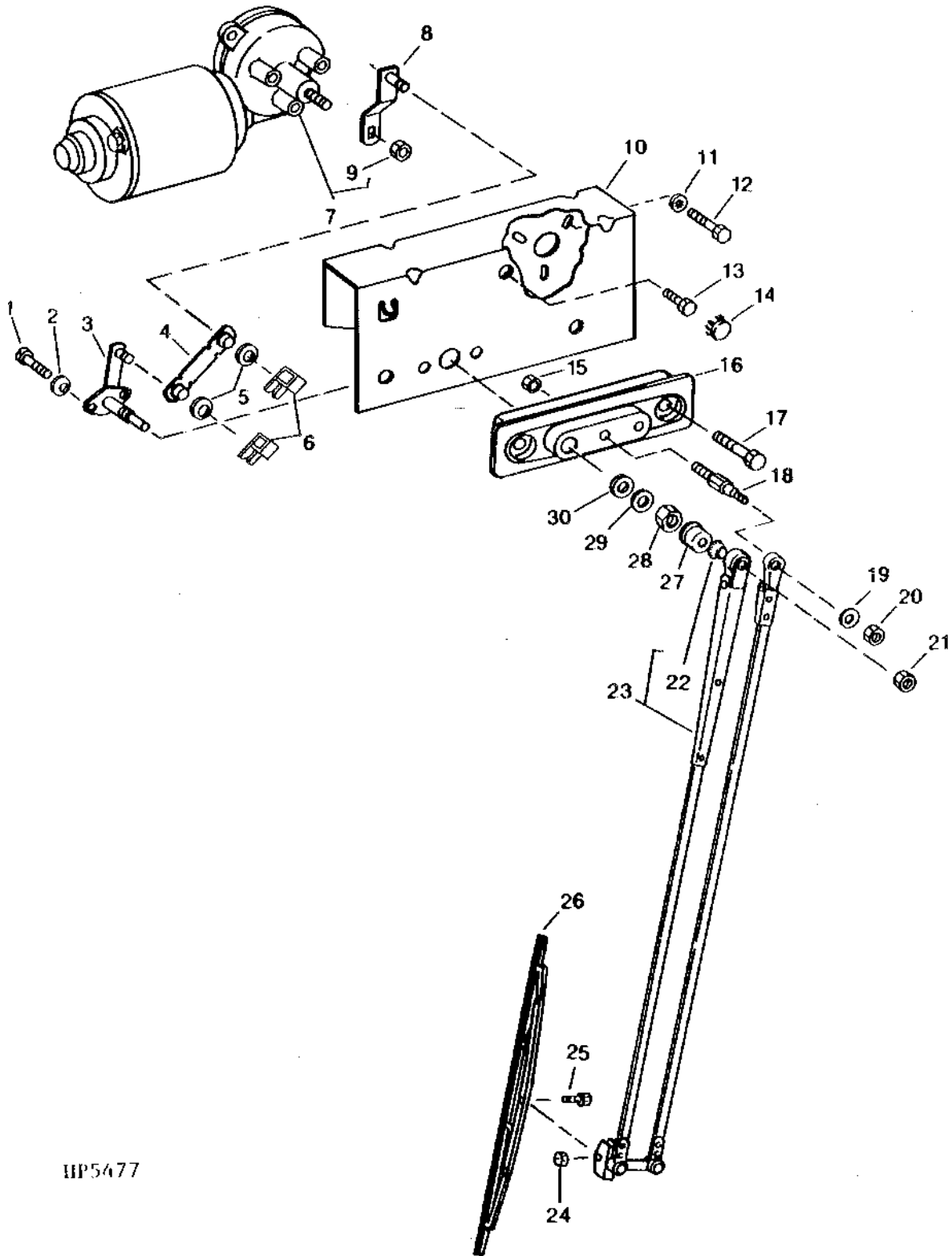
WINDSHIELD WIPER (OPT. LONG) - CONTINUED

KEY	PART NO.	PART NAME	QTY	SERIAL NO.	S H 9 9 5 5 0 0 0 0	REMARKS
1	AH149835	MOTOR	1		X X	(SUB FOR AH123900)
2	AH123902	LINK	1		X X	
3	AH149834	CRANK	1		X X	(SUB FOR AH123901)
4	E64256	LOCK NUT	AR		X X	M8
5	AH154278	BRACKET	1		X X	(SUB FOR H128819)
6	19M7774	SCREW	3		X X	M6 X 12
7	19M7865	SCREW	AR		X X	M8 X 16
8	R34337	PLUG	1		X X	
9	14M7303	FLANGE NUT	AR		X X	M6
10	H128820	SUPPORT	1		X X	
11	19M8317	SCREW	2		X X	M8 X 40
12	H128821	STUD	1		X X	
13	R63666	WASHER	1		X X	18.288 X 28.448 X 1.524 MM (0.720" X 1.120" X 0.060")
14	R63667	WASHER	1		X X	18.263 X 28.575 X 1.575 MM (23/32" X 1-1/8" X 1/16")
15	R63668	NUT	AR		X X	17.475 MM (11/16")
16	R63669	CAP	1		X X	
17	AH123908	WIPER ARM	1		X X	
18	H128841	SPACER	1		X X	6.500 X 12 X 20 MM (0.256" X 0.472" X 0.787")
19	T32255	SHIM	AR		X X	0.381 MM (0.015")
20	T531T	LOCK NUT	AR		X X	4.775 MM (3/16")
21	AH123907	ARM	1		X X	
22	F3220R	LOCK NUT	AR		X X	9.525 MM (3/8")
23	PIN	1		X X	FOR SHIPPING ONLY
24	AH123905	ARM	1		X X	
25	H128823	STRAP	1		X X	
26	H128859	SCREW	AR		X X	4.826 X 22.280 MM (0.190" X 0.877")
27	AH123910	BRACKET	1		X X	
28	AH123909	WIPER BLADE	3		X X	
29	AH123911	WIPER ARM	1		X X	
30	AH149833	SHAFT	1		X X	(SUB FOR AH123903)
31	21M7265	SCREW	2		X X	M5 X 12
32	12H295	LOCK WASHER	1		X X	4.826 MM (0.190")
33	R78053	PIN CONTACT CONNECTOR BODY	1		X X	(PKG. OF 3)
	R78058	PIN CONTACT	1		X X	(PKG. OF 40)
	R78063	TERMINAL NIPPLE	1		X X	(PKG. OF 40)
34	R63670	WELD NUT	1		X X	INCLUDED IN AH123904
35	AH123904	WIPER ARM	1		X X	INCLUDES KEYS 21, 24, 25,27 AND 34
36	12H356	LOCK WASHER	3		X X	6.350 MM (1/4")
..	BH71948	COMPLETE GOODS/SHIP. BUNDLE	1		X X	LONG WIPER

3D12

ELECTRICAL

WINDSHIELD WIPER (SHORT)
HP5477 -UN-01JAN94



HP5477

3D13

ELECTRICAL

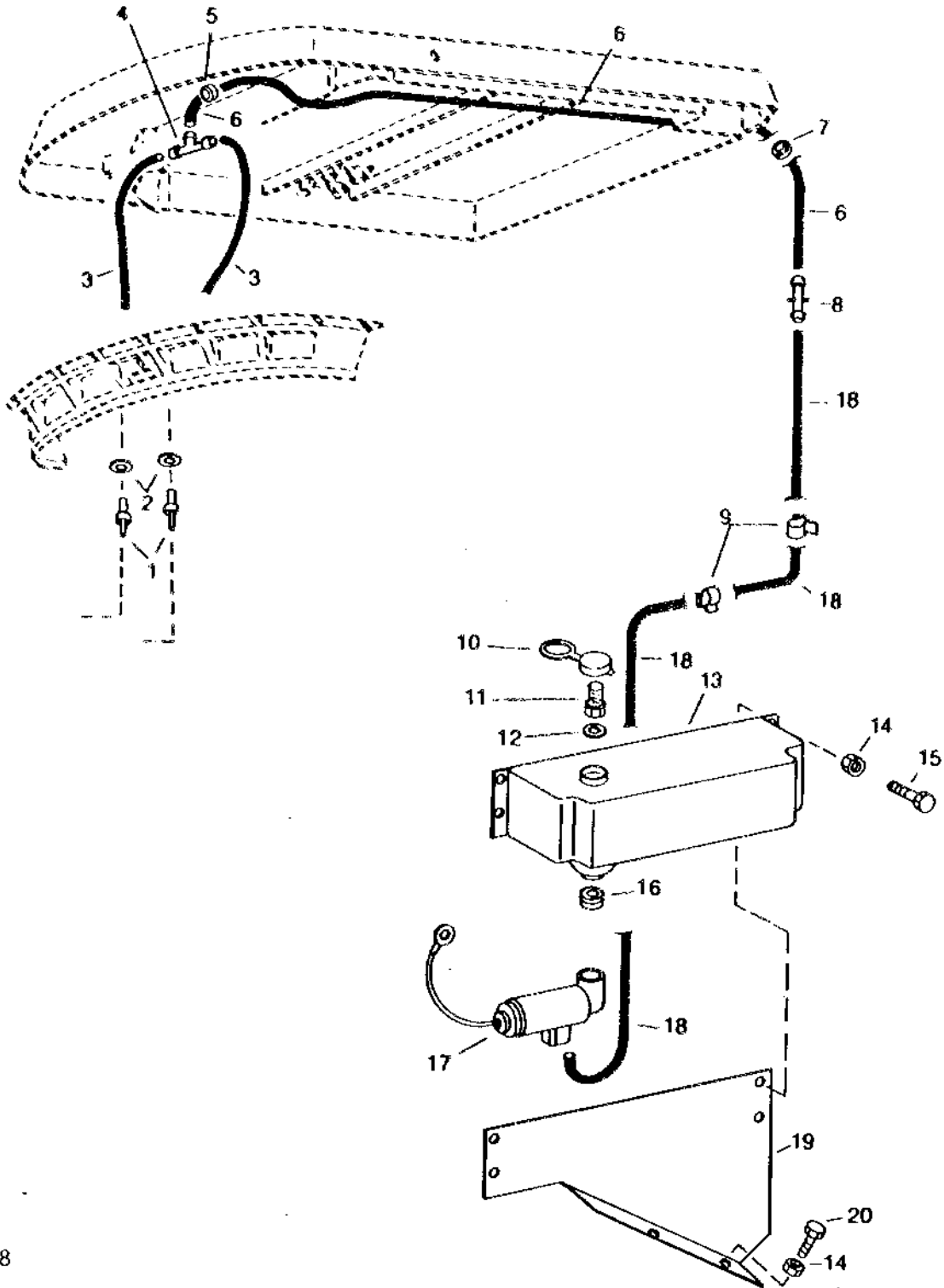
WINDSHIELD WIPER (SHORT) - CONTINUED

KEY	PART NO.	PART NAME	QTY	SERIAL NO.	S H 9 5 0 0	REMARKS
1	21M7265	SCREW	2		X X	M5 X 12
2	12H295	LOCK WASHER	2		X X	0.190"
3	AH123931	SHAFT	1		X X	(INCLUDES U46507)
	U46507	PIN	1		X X	
4	AU43853	LINK	1		X X	
5	T32255	SHIM	2		X X	0.381 MM (0.015")
6	U46506	CLIP	2		X X	
7	AT66481	WIPER MOTOR	3		X X	(SUB FOR AH130421 OR AH143417)
8	AT141987	ARM	1		X X	(SUB FOR AH123934 OR AH143445) USE WITH AT66481
9	AU43857	LOCK NUT	1	-655864	X X	6.350 MM (1/4") USE WITH AH130421
	N10213	LOCK NUT	1	655865-	X X	7.925 MM (5/16") USE WITH AT66481
10	AH154278	BRACKET	1		X X	(SUB FOR H128819)
11	12H356	LOCK WASHER	3		X X	1/4"
12	19H3138	CAP SCREW	3		X X	1/4" X 5/8"
13	19M7865	SCREW	1		X X	M8 X 16
14	R34337	PLUG	1		X X	
15	14M7303	FLANGE NUT	1		X X	M6
16	H128820	SUPPORT	1		X X	
17	19M8317	SCREW	2		X X	M8 X 40
18	H128822	STUD	1		X X	
19	T32255	SHIM	1		X X	0.381 MM (0.015")
20	T531T	LOCK NUT	1		X X	4.775 MM (3/16")
21	F3220R	LOCK NUT	1		X X	9.525 MM (3/8")
22	R63670	WELD NUT	1		X X	
23	AH144503	WIPER ARM	1		X X	(SUB FOR AH123932 OR AH142336)
24	T35440	LOCK NUT	1		X X	
25	H134367	SCREW	1		X X	3.175 X 22.200 MM (1/8" X 0.874")
26	AH123933	WIPER BLADE	1		X X	
27	R63669	CAP	1		X X	
28	R63668	NUT	1		X X	17.475 MM (11/16")
29	R63667	WASHER	1		X X	18.263 X 28.575 X 1.575 MM (23/32" X 1-1/8" X 1/16")
30	R63666	WASHER	1		X X	18.288 X 28.448 X 1.524 MM (0.720" X 1.120" X 0.060")

3D14

ELECTRICAL

WINDSHIELD WASHER
HP3768 -UN-01JAN94



HP3768

3D15

ELECTRICAL

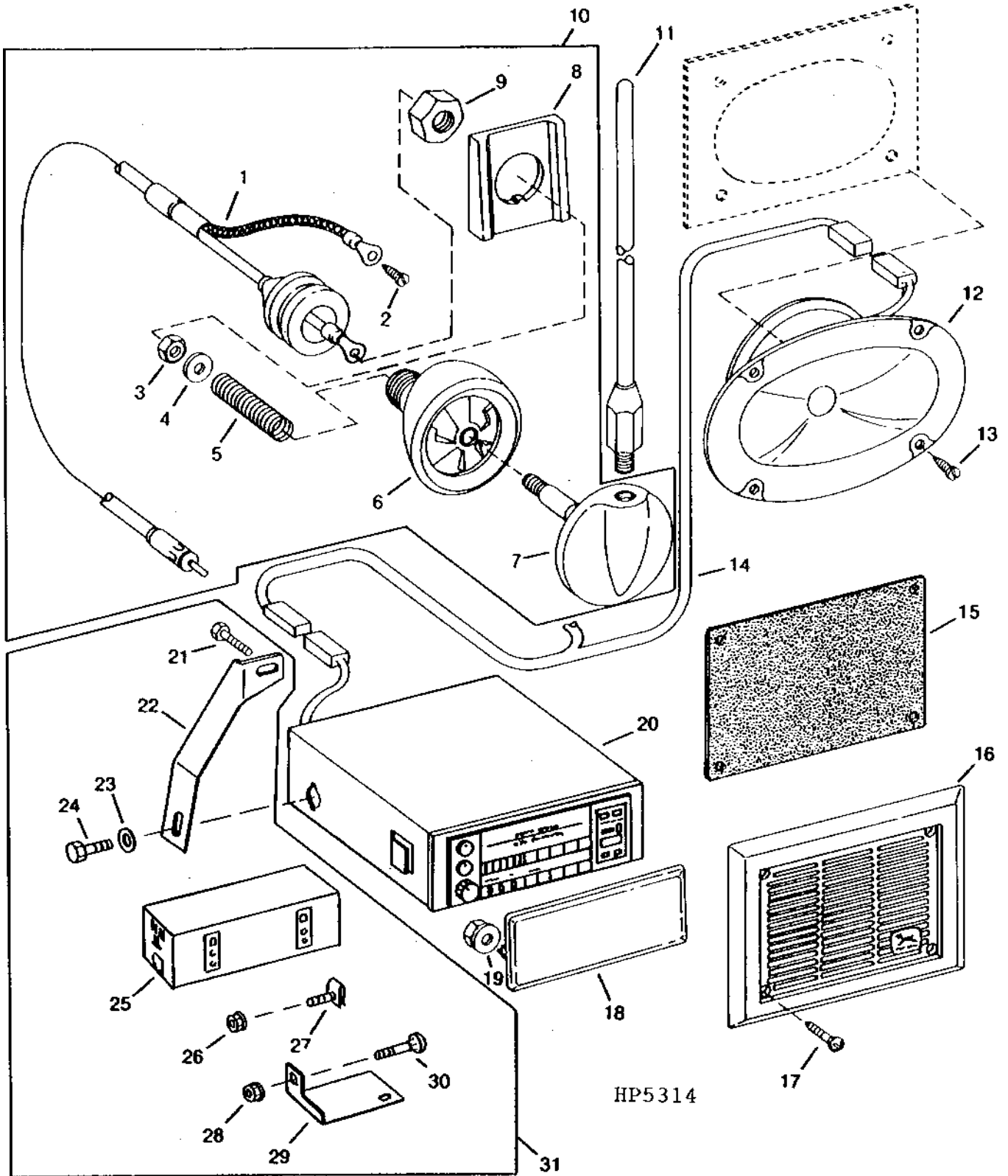
WINDSHIELD WASHER - CONTINUED

KEY	PART NO.	PART NAME	QTY	SERIAL NO.	REMARKS
					S H 9 9 5 5 0 0 0 0
1	AR79548	NOZZLE	2		X X
2	H145221	GROMMET	2		X X (SUB FOR L1880N)
3	R54447	HOSE	2		X X CUT TO LENGTH AS NEEDED.
4	R64061	TEE FITTING	1		X X
5	M68701	GROMMET	1		X X
6	R120653	HOSE	1		X X (SUB FOR H132527, R54445 OR R104595)
7	H987R	GROMMET	1		X X
8	H132597	FITTING	1		X X
9	H76064	CLIP	2		X X
10	R64060	CAP	1		X X
11	AR79550	FILTER	1		X X
12	R64059	WASHER	1		X X 16.256 X 26.162 X 2.286 MM
13	R64056	RESERVOIR	1		X X
14	14M7303	FLANGE NUT	4		X X M6
15	19M7775	SCREW	4		X X M6 X 16
16	R64058	GROMMET	1		X X
17	AR79549	PUMP	1		X X
18	R120653	HOSE	1		X X (SUB FOR R54445, R104595 OR H132527) CUT TO LENGTH AS NEEDED
19	H131595	BRACKET	1		X X
20	19M7774	SCREW	2		X X M6 X 12
..	BH78370	COMPLETE GOODS/SHIP. BUNDLE	1		X X WINDSHIELD WASHER

3D16

ELECTRICAL

RADIO, SPEAKERS AND ANTENNA (OPTIONAL)
HP5314 -UN-01JAN94



3D17

ELECTRICAL

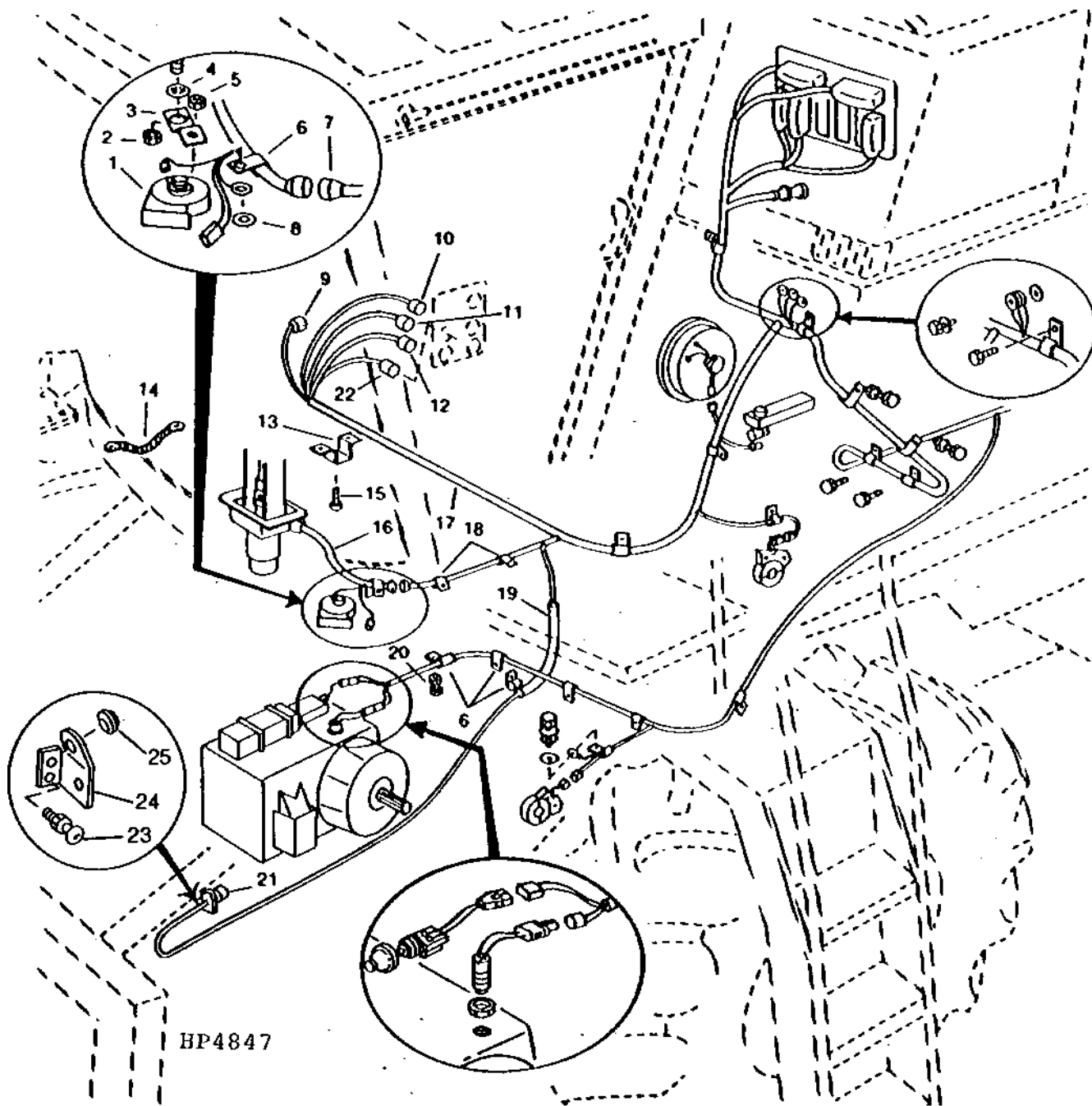
RADIO, SPEAKERS AND ANTENNA - CONTINUED

KEY	PART NO.	PART NAME	QTY	SERIAL NO.	S H 9 5 0 0	REMARKS
1	AH124932	WIRING LEAD	1	-641499	X	(ORDER AH141012)
2	37M7089	SCREW	1		X X	M6 X 12
3	14M7152	NUT	1		X X	M10
4	24M7096	WASHER	1		X X	10.500 X 18 X 1.600 MM, (SUB FOR 24H1303)
5	SPRING	1		X X	(ORDER AH141012)
6	FLANGE	1		X X	(ORDER AH141012)
7	BASE	1		X X	(ORDER AH141012)
8	SPACER	1		X X	(ORDER AH141012)
9	14M7309	NUT	1		X X	M24
10	AH141012	KIT	1	641500-	X X	ANTENNA
11	AR104516	ANTENNA	1		X X	
12	AR104520	SPEAKER	2	-640200	X X	
	AH138098	SPEAKER	2	640201-	X X	
13	37M7215	SCREW	4		X X	
14	AH128415	WIRING HARNESS	1	-640200	X	(SUB AH137927 AND AH138279 AND (2) AH138280)
	AH145021	WIRING HARNESS	1		X X	(SUB FOR AH137927, AH136466 OR AH142155)
15	H145264	ISOLATOR	1	640201-	X X	
16	H144255	GRILLE	2		X X	(SUB FOR H120188)
17	37M7100	SCREW	4		X X	
18	H132795	PANEL	1		X X	
19	H117239	FLANGE NUT	2		X X	6.350 MM (1/4") LESS RADIO
20	TY15451	KIT	1	-640200	X	AM/FM, (USE WITH AH138279 AND AH138280) (TO INSTALL INTO MODEL YEAR 1991 AND ABOVE)
	PM9000	RADIO	1	-640200	X	(USE WITH AH138279 AND AH138280) (TO INSTALL INTO MODEL YEAR 1991 AND ABOVE)
	TY15452	KIT	1	-640200	X	(USE WITH AH138279 AND AH138280) (TO INSTALL INTO MODEL YEAR 1991 AND ABOVE)
	PM9200	RADIO	1	-640200	X	(USE WITH AH138279 AND AH138280) (TO INSTALL INTO MODEL YEAR 1991 AND ABOVE)
	AH138099	RADIO	1	640201-655328	X X	(SUB FOR AH138289) AM/FM RADIO WITH CASSETTE
	AH140785	RADIO	1	655329-	X X	
	RE55277	RADIO	1	655329-	X X	(ORDER DIRECTLY FROM WATERLOO)
	AH138099	RADIO	1	640201-642457	X	(SUB AH140784 AND AH140786) AM/FM RADIO (DELCO)
	AH140784	RADIO	1	-655685	X X	AM/FM (DELCO); NO LONGER AVAILABLE
21	H114038	SCREW	1	-640200	X	
22	H132780	SUPPORT	1	-640200	X	
	AH140786	KIT	1	640201-	X	
23	24M7027	WASHER	1		X X	5.300 X 10 X 1 MM
24	19M7700	CAP SCREW	1		X X	M5 X 10
25	SLEEVE	1		X X	(ORDER AH140786) (USE WITH AH140784 AND AH140785)
26	14M7375	FLANGE NUT	1	-640200	X	M5
27	R99173	CLIP	1	-640200	X	(SUB AH140786)
28	14M7303	FLANGE NUT	1		X X	M6
29	BRACKET	1		X X	(ORDER AH140786) (USE WITH AH138289, AH138099, AH140784 OR AH140785)
30	03M7251	BOLT	1		X X	M6 X 12, USED WITH RADIOS AH138289 AND AH138099 ONLY, THROUGH BRACKET AND SUPPORT
31	AH140786	KIT	1		X X	

3D18

ELECTRICAL

L.H. MAIN WIRING HARNESS, L.H. FRONT
HP4847 -UN-01JAN94



3D19

ELECTRICAL

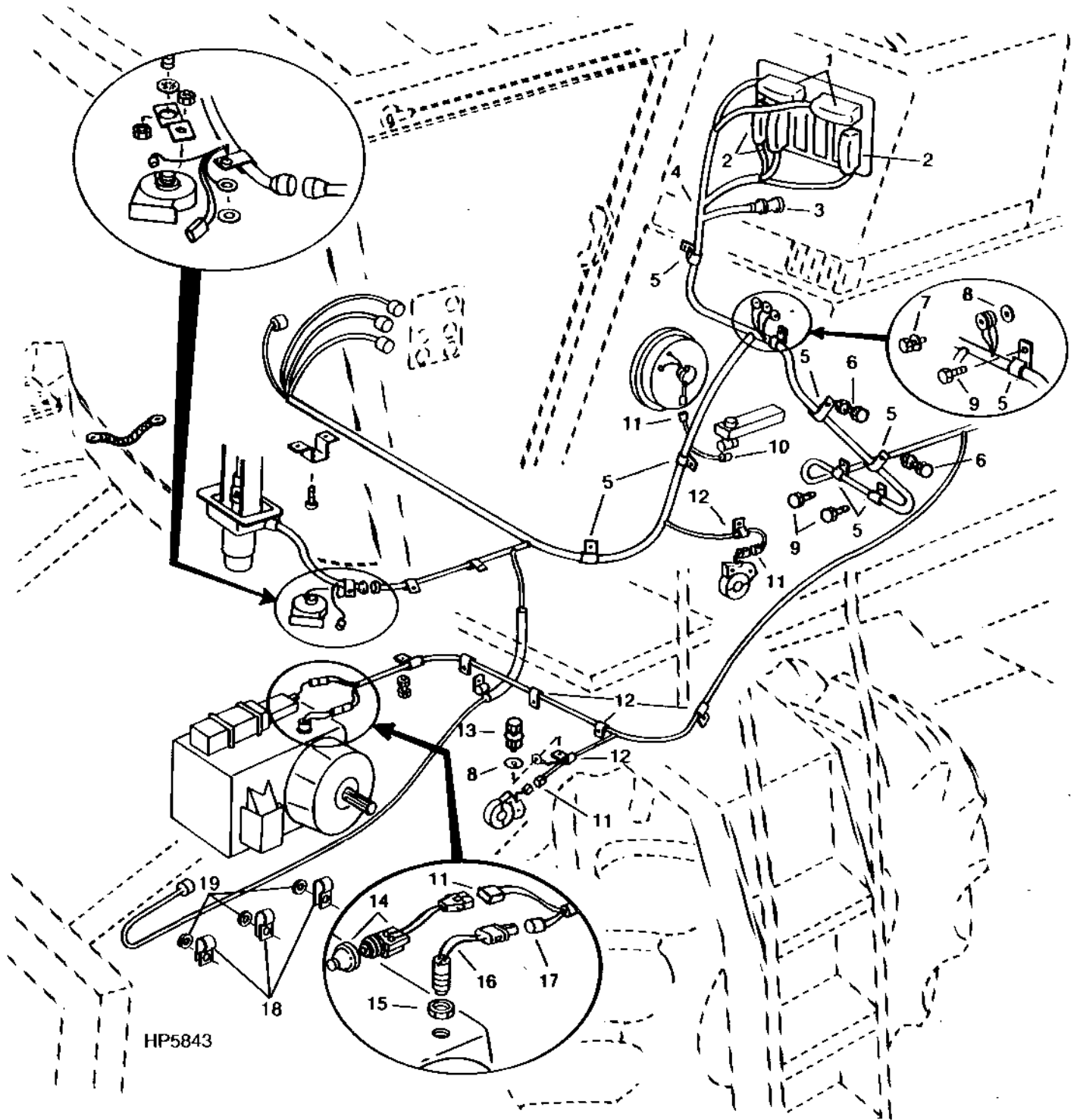
L.H. MAIN WIRING HARNESS, L.H. FRONT - CONTINUED

KEY	PART NO.	PART NAME	QTY	SERIAL NO.	S H 9 9 5 5 0 0 0 0	REMARKS
1	AT39043	HIGH NOTE HORN	1		X X	
2	14M7303	FLANGE NUT	1		X X	M6
3	H125930	BRACKET	1		X X	
4	PT2314	WASHER	1		X X	6.706 MM (0.264")
5	R11278	NUT	1	-670500	X X	22.225 MM (7/8")
	14M7303	FLANGE NUT	1	670501-	X X	M6
6	AH89557	CLIP	8		X X	
7	H118426	CONNECTOR	1		X X	24 HOLES, FEMALE
	AE44930	CONNECTOR	1		X X	
	R77465	SOCKET CONTACT	AR		X X	
8	24M7139	WASHER	1		X X	6.400 X 18 X 1.600 MM (0.252" X 0.709" X 0.063") STEERING
9	AE44931	CONNECTOR	1		X X	
	AH135787	ELECTRICAL PLUG	1		X X	
	H140664	CONNECTOR	1		X X	16 PIN CONNECTOR (MALE) TO R-H MAIN
10	R77463	SOCKET CONTACT	AR		X X	TO CAB MAIN
	R77465	SOCKET CONTACT	AR		X X	TO CAB MAIN
11	R77457	ELECTRICAL PLUG	1		X X	37 HOLES, (FEMALE) TO ARMREST
	AE44930	CONNECTOR	1		X X	
	R77463	SOCKET CONTACT	AR		X X	
12	AE44930	CONNECTOR	1		X X	16 HOLE CONNECTOR (FEMALE) TO CAB MAIN.
	R77465	SOCKET CONTACT	AR		X X	
	AH135787	ELECTRICAL PLUG	1		X X	
	H141325	CONNECTOR	1		X X	
13	H131574	RETAINER	1		X X	
14	AH125010	GROUND CABLE	1		X X	
15	19M7865	SCREW	2		X X	M8 X 16, TRANSMISSION SPEED
16	AH134296	WIRING HARNESS	1		X X	(SUB FOR AH128401 OR AH134225) STEERING COLUMN
17	AH134229	WIRING HARNESS	1	640201-645200	X	(ORDER RE12363) (SUB FOR AH128406 OR AH134224)
	AH152443	WIRING HARNESS	1	29SEP7-	X X	(SUB FOR AH134278, AH134295, AH143900 AND AH145022) W/O GREENSTAR
	AH151770	WIRING HARNESS	1	29SEP7-	X X	W/ GREENSTAR
18	AH96317	CLIP	2		X X	
19	H132800	HOSE	1		X X	SLEEVE FOR PROTECTION
20	03M7221	BOLT	1		X X	M6 X 16
	14M7303	FLANGE NUT	1		X X	M6
21	AH135787	ELECTRICAL PLUG	1		X X	16 PIN CONNECTOR
	H141325	CONNECTOR	1		X X	CONNECTOR RING
22	H130510	ELECTRICAL PLUG	1		X X	TO AIR CONDITIONING HARNESS
23	03M7183	BOLT	1		X X	M8 X 16
	14M7298	FLANGE NUT	1		X X	M8
24	H134417	BRACKET	1		X X	
25	H130520	CAP	1	-646236	X	(SUB H146306)
	H146306	PLUG	1		X X	

3D20

ELECTRICAL

L.H. MAIN WIRING HARNESS, L.H. FRONT
HP5843 -UN-15OCT94



HP5843

3D21

ELECTRICAL

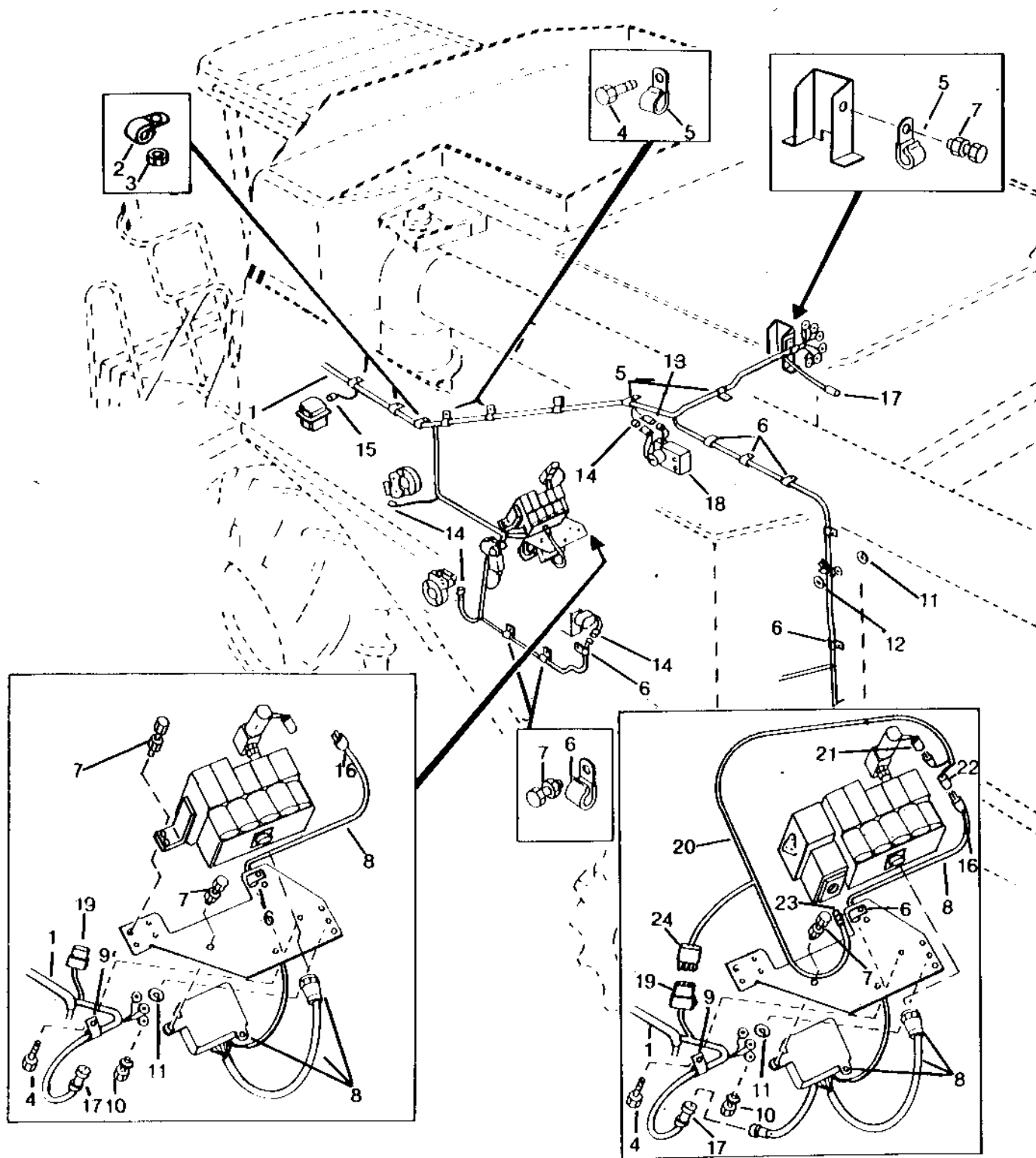
L.H. MAIN WIRING HARNESS, L.H. FRONT - CONTINUED

KEY	PART NO.	PART NAME	QTY	SERIAL NO.	S H 9 9 5 5 0 0 0 0	REMARKS
1	H132513	CONNECTOR	1		X X	22 HOLES, FEMALE - FOR CEM
	H141127	BOOT	2		X X	FOR CEM
	H141406	TIE BAND	2	632301-650354	X X	FOR CEM, (SUB M86436)
	M86436	TIE BAND	1		X X	
	SOCKET CONTACT	AR		X X	FOR CEM - SIZE 12 - 8 USED
	R78065	SOCKET CONTACT	AR		X X	FOR CEM - SIZE 16 - 12 USED
	SOCKET CONTACT	AR		X X	(SUB AH152443) FOR CEM - SIZE 4 - 1 USED
	AH136356	SCREW AND WASHER KIT	1		X X	REPAIRS TWO CONNECTORS (BOTH HALVES)
2	H141127	BOOT	3		X X	FOR CEM
	H141406	TIE BAND	3		X X	FOR CEM
	R77463	SOCKET CONTACT	3		X X	FOR CEM
	R77465	SOCKET CONTACT	AR		X X	FOR CEM
3	H118427	CONNECTOR	1		X X	22 HOLES, MIXED
	R77463	SOCKET CONTACT	AR		X X	
	R77465	SOCKET CONTACT	AR		X X	
4	AH134229	WIRING HARNESS	1	640201-645200	X	(ORDER RE12363) (SUB FOR AH128406 OR AH134224)
	AH152443	WIRING HARNESS	1	29SEP7-	X X	(SUB FOR AH134278, AH134295, AH143900 AND AH145022) W/O GREENSTAR
	AH151770	WIRING HARNESS	1	29SEP7-	X X	W/ GREENSTAR
5	AH117301	CLAMP	8	-651322	X X	
	AH117301	CLAMP	9	651323-	X X	
6	19M7865	SCREW	2		X X	M8 X 16
	14M7298	FLANGE NUT	2		X X	M8
7	37M7083	SCREW	1		X X	M8 X 12
	24M7055	WASHER	1		X X	8.400 X 16 X 1.600 MM
8	12M7032	LOCK WASHER	2		X X	8.400 MM
9	37M7083	SCREW	3		X X	M8 X 12
10	M43835	FLAT CONNECTOR	1		X X	
	U46662	TERMINAL	AR		X X	
11	RE12363	CONNECTOR	1		X X	(PKG OF 3) TO TAILINGS LSSM SENSOR
	R78048	TERMINAL NIPPLE	1		X X	PKG OF 40
	R78060	SOCKET CONTACT	1		X X	PKG OF 40
12	AH89557	CLIP	5		X X	
13	37M7059	SCREW	1		X X	M5 X 12
	24M7055	WASHER	1		X X	8.400 X 16 X 1.600 MM
	14M7298	FLANGE NUT	1		X X	M8
14	AH123025	SWITCH	1	-640200	X	(SUB AH140605) MANUAL PARK BRAKE
	AH140605	SWITCH	1		X X	MANUAL PARK BRAKE
15	H104418	NUT	1		X X	19.050 MM (3/4")
16	AH116104	SENSOR	1		X X	TRANSMISSION SPEED
17	R78053	PIN CONTACT CONNECTOR BODY	1		X X	(PKG OF 3) TO GROUND SPEED SENSOR
	R78063	TERMINAL NIPPLE	1		X X	PKG OF 5
18	AH89486	CLIP	3	660201-661744	X X	(SUB AH96317)
	AH96317	CLIP	3		X X	
19	12M7032	LOCK WASHER	3	660201-	X X	8.400 MM (0.331")

3D22

ELECTRICAL

L.H. MAIN WIRING HARNESS, L.H. CENTER
HP5953 -UN-27APR95



HP5953

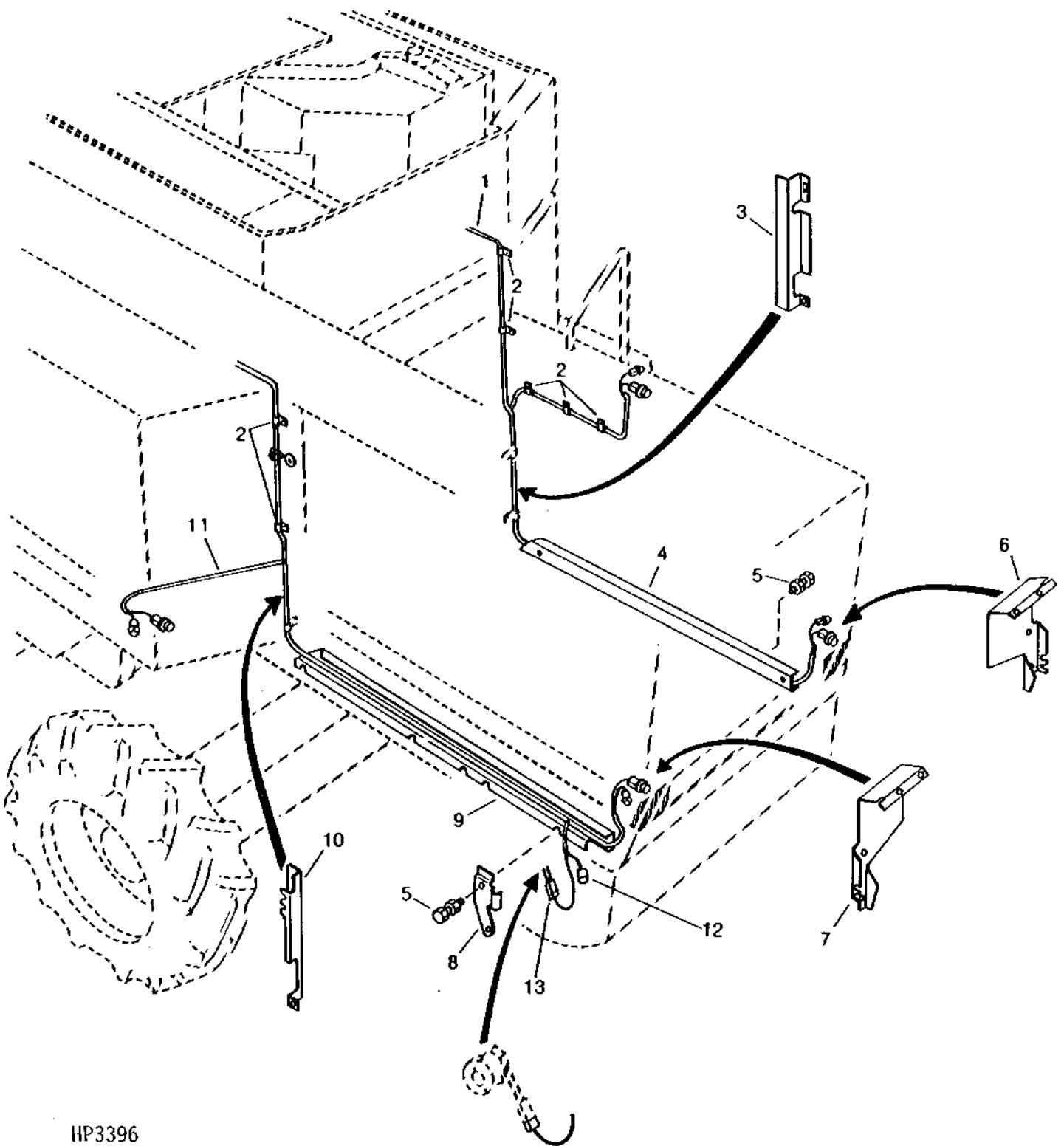
L.H. MAIN WIRING HARNESS, L.H. CENTER - CONTINUED

KEY	PART NO.	PART NAME	QTY	SERIAL NO.	S H 9 5 0 0	REMARKS
1	AH134229	WIRING HARNESS	1	640201-645200	X	(ORDER RE12363) (SUB FOR AH128406 OR AH134224)
	AH152443	WIRING HARNESS	1	29SEP7-	X X	(SUB FOR AH134278, AH134295, AH143900 AND AH145022) W/O GREENSTAR
	AH151770	WIRING HARNESS	1	29SEP7-	X X	W/ GREENSTAR
2	AH130222	CLAMP	3		X	
	AH130223	CLAMP	3		X	
3	14M7299	FLANGE NUT	3		X X	M12
4	37M7083	SCREW	3		X X	M8 X 12
5	AH90990	CLIP	5		X X	
6	AH89557	CLIP	9		X X	
7	19M7865	SCREW	5		X X	M8 X 16
	14M7298	FLANGE NUT	5		X X	M8
8	AH129045	MODULE	1		X X	(LOGIC) INCLUDES CONNECTOR, RETAINER AND CIRCUIT BOX
	H118426	CONNECTOR	1		X X	29 PIN
	R77458	CONNECTOR	1		X X	
	H129212	CIRCUIT BOX	1		X X	
9	AH89486	CLIP	1	-661744	X X	(SUB AH96317)
	AH96317	CLIP	1		X X	
10	37M7083	SCREW	1		X X	M8 X 12
	24M7055	WASHER	1		X X	8.400 X 16 X 1.600 MM
11	12M7032	LOCK WASHER	2		X X	8.400 MM
12	24M7055	WASHER	1		X X	8.400 X 16 X 1.600 MM
13	R78053	PIN CONTACT CONNECTOR BODY	1		X X	MALE, (PKG OF 3)
	R78063	TERMINAL NIPPLE	1		X X	(PKG OF 40)
14	RE12363	CONNECTOR	1		X X	(PKG OF 3) - TO FAN SPEED CONTROL MOTOR
	R78048	TERMINAL NIPPLE	1		X X	(PKG OF 5)
15	AE44392	CONNECTOR	1		X X	4 HOLES, FEMALE - TO REEL SPEED CONTROL MOTOR
	R77465	SOCKET CONTACT	1		X X	
16	RE12363	CONNECTOR	1		X X	(PKG OF 3)
	R78048	TERMINAL NIPPLE	1		X X	(PKG OF 5)
	R78060	SOCKET CONTACT	1		X X	(PKG OF 40)
17	AH135787	ELECTRICAL PLUG	1		X X	
	H141325	CONNECTOR	1		X X	
18	AH128929	SWITCH	1		X X	PRESSURE
19	R78055	PIN CONTACT CONNECTOR BODY	1	661186-	X	(PKG OF 2) CONTOUR MASTER
	R78058	PIN CONTACT	1	661186-	X	(PKG OF 40) (18 GA. WIRE)
	R78061	PIN CONTACT	AR	661186-	X	(PKG OF 40) (16 GA. WIRE)
	R78063	TERMINAL NIPPLE	1	661186-	X	(PKG OF 40) (16 GA. WIRE) (GRAY)
	R78059	ELECTRICAL PLUG	3	661186-	X	(PKG OF 40) (18 GA. WIRE) (GREEN)
20	AH145056	WIRING HARNESS	1	661186-	X	(USE WITH CONTOUR MASTER ONLY)
21	RE12363	CONNECTOR	1	661186-	X	(PKG OF 3) 2-PIN
	R78048	TERMINAL NIPPLE	1	661186-	X	(PKG OF 5)
	R78060	SOCKET CONTACT	AR	661186-	X	(PKG OF 40) (16 GA. WIRE)
	R78063	TERMINAL NIPPLE	AR	661186-	X	(PKG OF 40)
22	RE12364	SOCKET CONT.CONNECTOR BODY	1	661186-	X	(PKG OF 3) 2-PIN
	R78049	SEAL	1	661186-	X	(PKG OF 5)
	R78060	SOCKET CONTACT	2	661186-	X	(PKG OF 40)
	R78063	TERMINAL NIPPLE	2	661186-	X	(PKG OF 40)
23	AE44392	CONNECTOR	1	661186-	X	TO TILT VALVE (4-PIN)
24	RE12365	CONNECTOR	1	661186-	X	(PKG OF 2) 4-PIN
	R78050	SEAL	1	661186-	X	(PKG OF 5)
	R78060	SOCKET CONTACT	AR	661186-	X	(PKG OF 40)
	R78063	TERMINAL NIPPLE	2	661186-	X	(PKG OF 40)

3D24

ELECTRICAL

L.H. AND R.H. MAIN WIRING HARNESS, L.H. AND R.H. REAR
HP3396 -UN-01JAN94



HP3396

3D25

ELECTRICAL

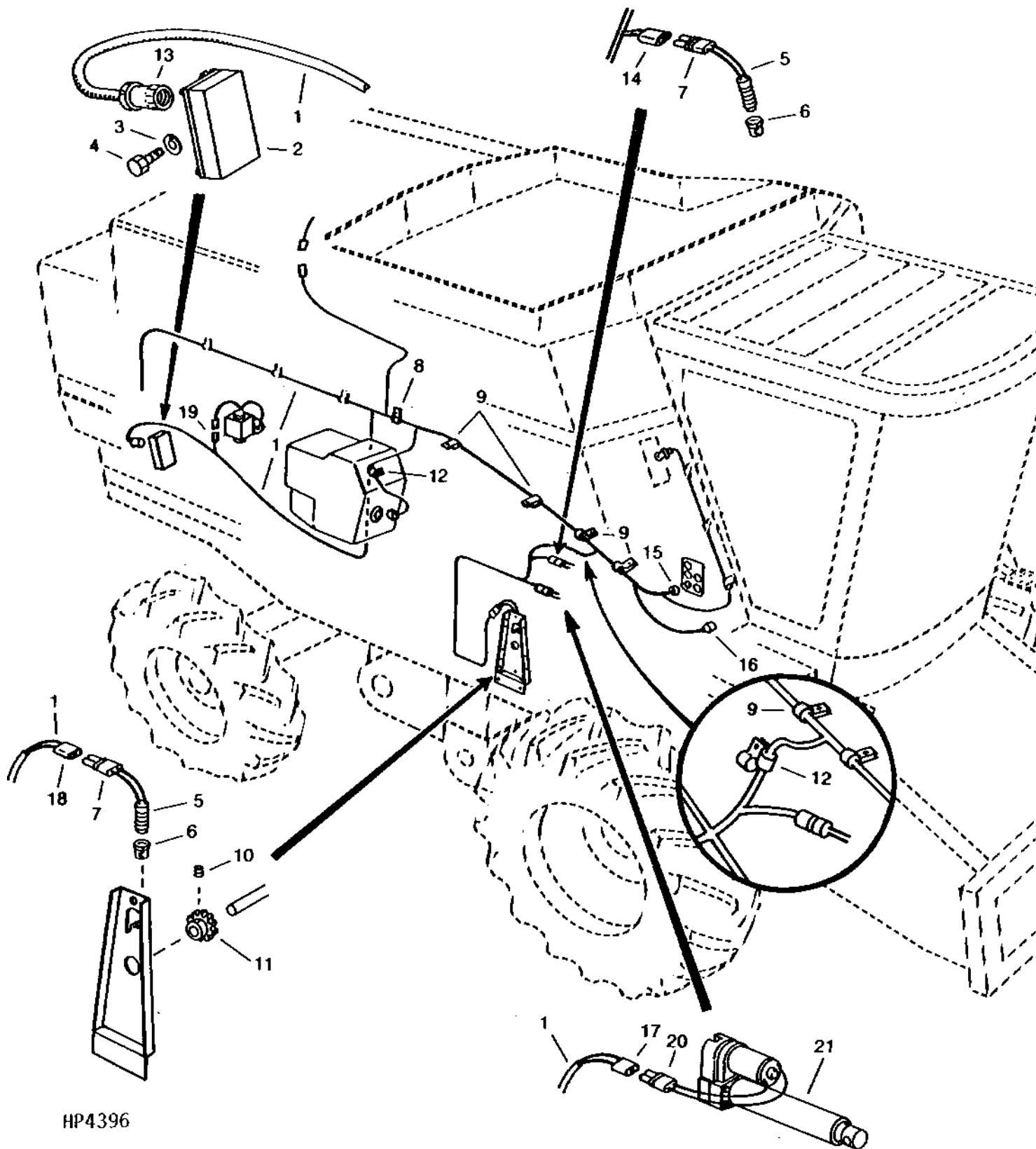
L.H. AND R.H. MAIN WIRING HARNESS, L.H. AND R.H. REAR - CONTINUED

KEY	PART NO.	PART NAME	QTY	SERIAL NO.	S H 9 5 0 0	REMARKS
1	AH128418	WIRING HARNESS	1	-640200	X X	R.H. MAIN
	AH134231	WIRING HARNESS	1	-29SEP7	X X	R.H. MAIN W/O GREENSTAR
	AH151772	WIRING HARNESS	1	29SEP7-	X X	R.H. MAIN W/ GREENSTAR
2	AH89557	CLIP	7		X X	
3	H137731	SHIELD	1		X X	R.H.
4	H131017	SHIELD	1		X X	R.H.
5	19M7867	SCREW	10		X X	M8 X 25
	14M7298	FLANGE NUT	10		X X	M8
6	H134171	SHIELD	1		X X	R.H.
7	H134172	SHIELD	1		X X	L.H.
8	H134831	RETAINER	1	-635513	X	
	AH89557	CLIP	1	635514-	X X	
	37M7092	SCREW	1	635514-640200	X	M8 X 16
	37M7058	SCREW	1	640201-	X X	
9	H137303	SHIELD	1	-640200	X	L.H. (SUB H144013)
	H144013	SHIELD	1		X X	
10	H137732	SHIELD	1	-640200	X	
	H143462	SHIELD	1	640201-	X X	
11	AH134229	WIRING HARNESS	1	640201-645200	X X	(ORDER RE12363) (SUB FOR AH128406, AH134224)
	AH152443	WIRING HARNESS	1		X X	(SUB FOR AH134278, AH134295, AH143900 AND AH145022) W/O GREENSTAR
	AH151770	WIRING HARNESS	1	29SEP7-	X X	L.H. MAIN W/ GREENSTAR
12	R78053	PIN CONTACT CONNECTOR BODY	1		X X	(PKG OF 3)
	R78063	TERMINAL NIPPLE	1		X X	(PKG OF 40)
13	RE12363	CONNECTOR	1		X X	(PKG OF 3)
	R78048	TERMINAL NIPPLE	1		X X	(PKG OF 5)
..	AH140120	KIT	1		X X	SOCKET

3E1

ELECTRICAL

R.H. MAIN WIRING HARNESS
HP4396 -UN-01JAN94



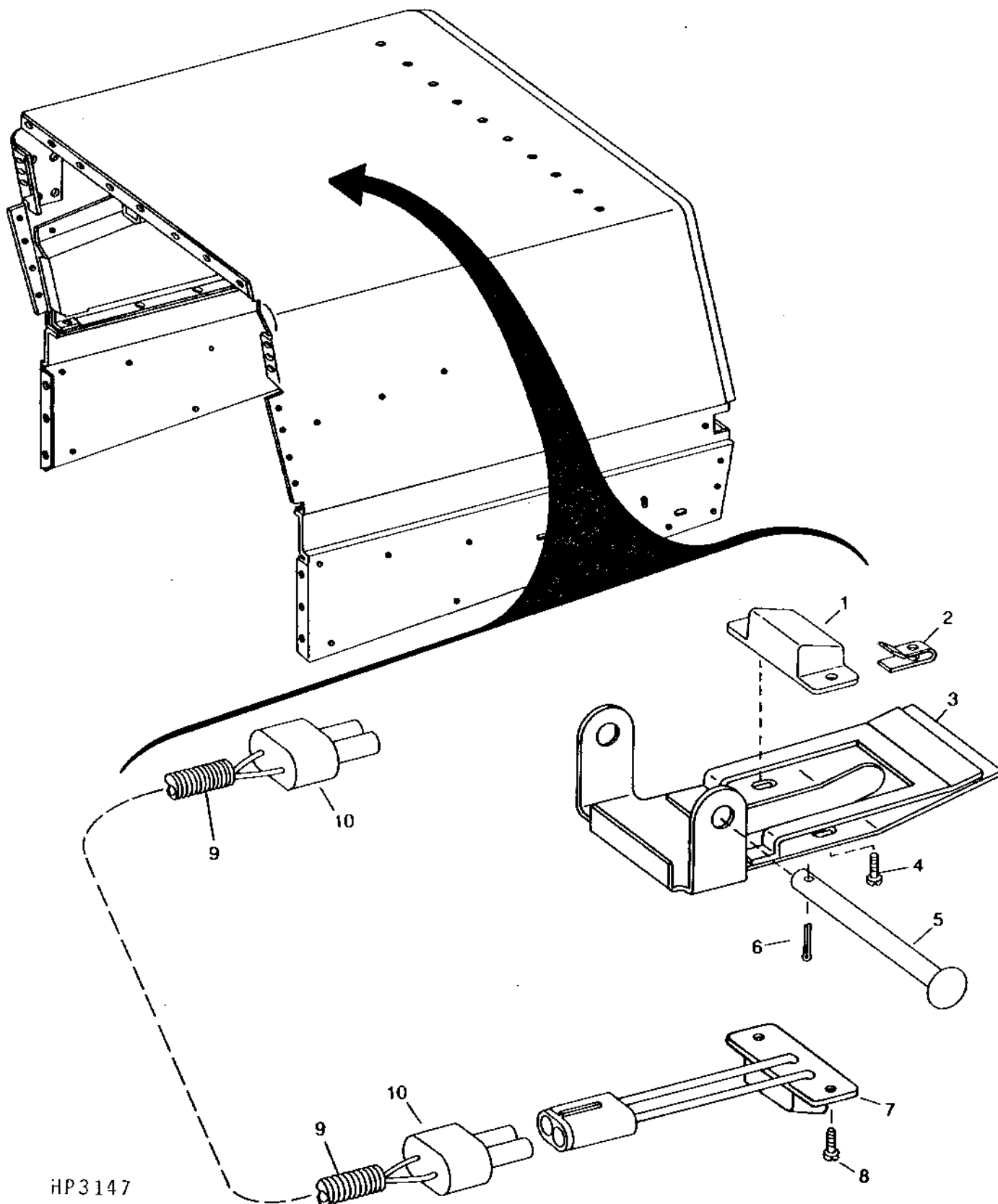
HP4396

R.H. MAIN WIRING HARNESS - CONTINUED

KEY	PART NO.	PART NAME	QTY	SERIAL NO.	S H 9 9 5 5 0 0 0 0	REMARKS
1	AH128418	WIRING HARNESS	1	-640200	X	
	AH134231	WIRING HARNESS	1	640201-	X X	(USE WITH H141411) W/O GREENSTAR
	AH151772	WIRING HARNESS	1	29SEP7-	X X	W/ GREENSTAR
2	AH125744	RELAY MODULE	1		X X	HARVESTRAK
3	12H310	LOCK WASHER	1		X X	3/8"
4	37M7058	SCREW	1		X X	M8 X 20
5	AH116104	SENSOR	2		X X	LOW SHAFT SPEED
6	H121110	CLIP	2		X X	(SUB H160880)
	H160880	CLIP	2		X X	
7	RE12363	CONNECTOR	1		X X	(PKG OF 3)
	R78048	TERMINAL NIPPLE	1		X X	(PKG OF 5)
	R78060	SOCKET CONTACT	2		X X	(PKG OF 40)
8	AH90990	CLIP	1		X X	
9	H117952	CLAMP	6		X X	
10	22M7027	SET SCREW	1		X X	M6 X 16
11	H122372	WHEEL	1		X X	
12	AH89557	CLIP	2		X X	
13	AE44392	CONNECTOR	1		X X	4 HOLES, FEMALE (INTO PRE-AMP MODULE)
	R77463	SOCKET CONTACT	AR		X X	
14	R78053	PIN CONTACT CONNECTOR BODY	1		X X	(PKG OF 3)
	R78063	TERMINAL NIPPLE	2		X X	(PKG OF 40)
	R78058	PIN CONTACT	2		X X	(PKG OF 40)
	R78059	ELECTRICAL PLUG	1		X X	(PKG OF 40)
15	R77457	ELECTRICAL PLUG	1		X X	37 HOLES, FEMALE (TO CAB MAIN)
16	R77465	SOCKET CONTACT	AR		X X	FOR 16 HOLE CONNECTOR (TO L-H MAIN)
17	R78053	PIN CONTACT CONNECTOR BODY	1		X X	(PKG OF 3) (TO CONCAVE ACTUATOR)
	R78063	TERMINAL NIPPLE	2		X X	(PKG OF 40)
	R78061	PIN CONTACT	2		X X	(PKG OF 40)
18	R78053	PIN CONTACT CONNECTOR BODY	1		X X	(PKG OF 3)
	R78063	TERMINAL NIPPLE	1		X X	(PKG OF 40)
	R78058	PIN CONTACT	2		X X	(PKG OF 40)
	R78059	ELECTRICAL PLUG	2		X X	(PKG OF 40)
19	T28583	RECEPTACLE CONNECTOR BODY	1		X X	INTO FUEL PUMP
	U46662	TERMINAL	1		X X	
20	RE12363	CONNECTOR	1		X X	(PKG OF 3)
	R78048	TERMINAL NIPPLE	2		X X	(PKG OF 5)
	R78060	SOCKET CONTACT	2		X X	(PKG OF 40)
21	AH134728	ACTUATOR	1		X X	

STRAW WALKER (PLUGGING) SENSING SWITCH

HP3147 -UN-01JAN94

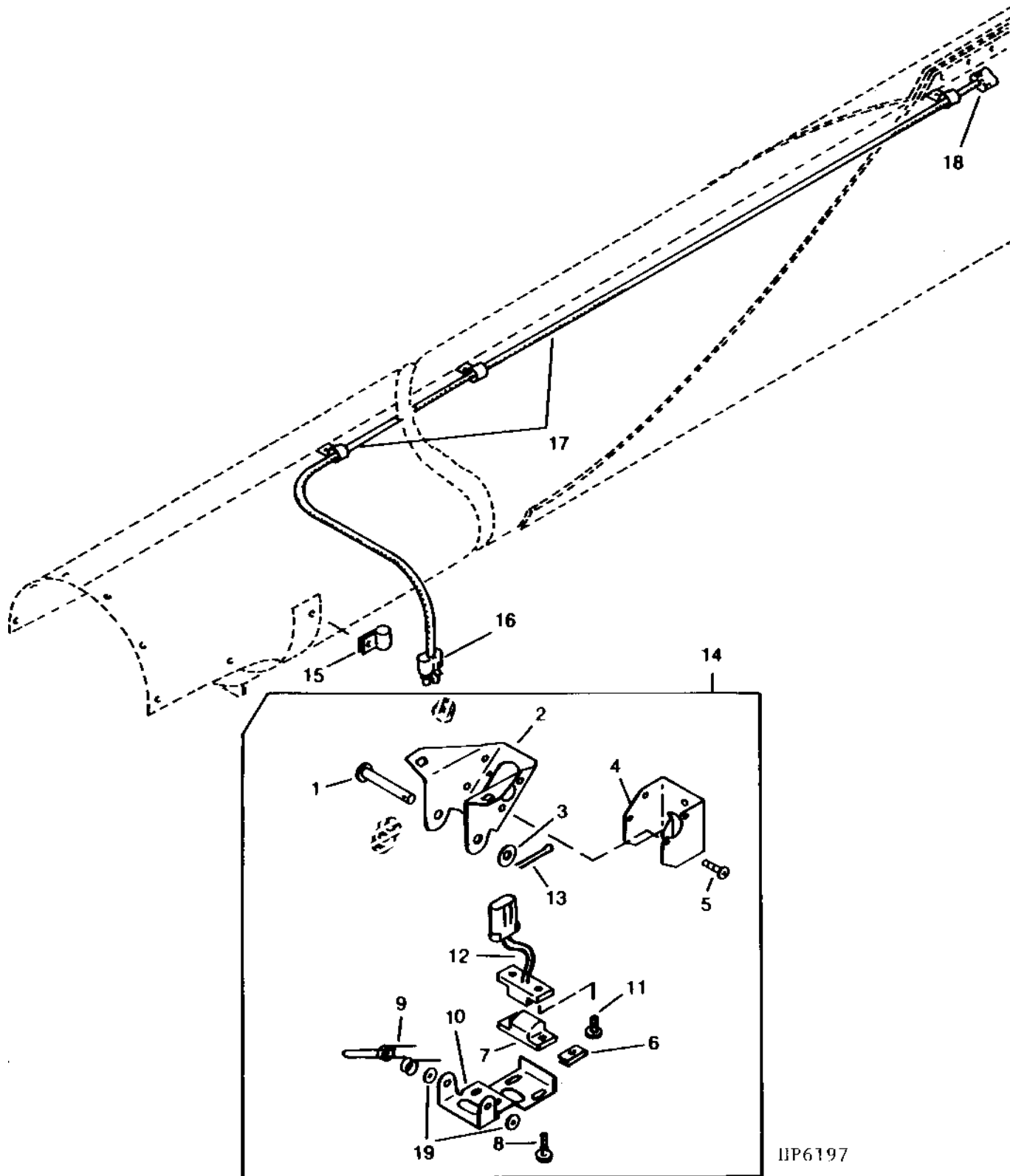


STRAW WALKER (PLUGGING) SENSING SWITCH - CONTINUED

KEY	PART NO.	PART NAME	QTY	SERIAL NO.	S H 9 5 0 0	REMARKS
1	AH130603	ACTUATOR	1		X X	
2	H129940	NUT	2		X X	(SUB H140628) THIS APPLICATION ONLY
	H140628	NUT	2		X X	
3	AH134524	ARM	1		X X	
4	37M7072	SCREW	2		X X	
5	45M7035	PIN	1		X X	10 X 90 MM
6	11M7012	COTTER PIN	1		X X	3.200 X 16 MM
7	AH130602	REED SWITCH	1		X X	
8	37M7100	SCREW	2	-640200	X	
	37M7215	SCREW	2	640201-	X X	
9	AH125036	WIRING HARNESS	1		X X	
10	RE12363	CONNECTOR	1		X X	(PKG OF 3)
	R78048	TERMINAL NIPPLE	1		X X	(PKG OF 5)
	R78063	TERMINAL NIPPLE	1		X X	(PKG OF 40)
	R78060	SOCKET CONTACT	1		X X	(PKG OF 40)

UNLOADING AUGER SENSOR AND WIRING HARNESS

(660201-)
HP6197 -UN-05OCT95



3E6

ELECTRICAL

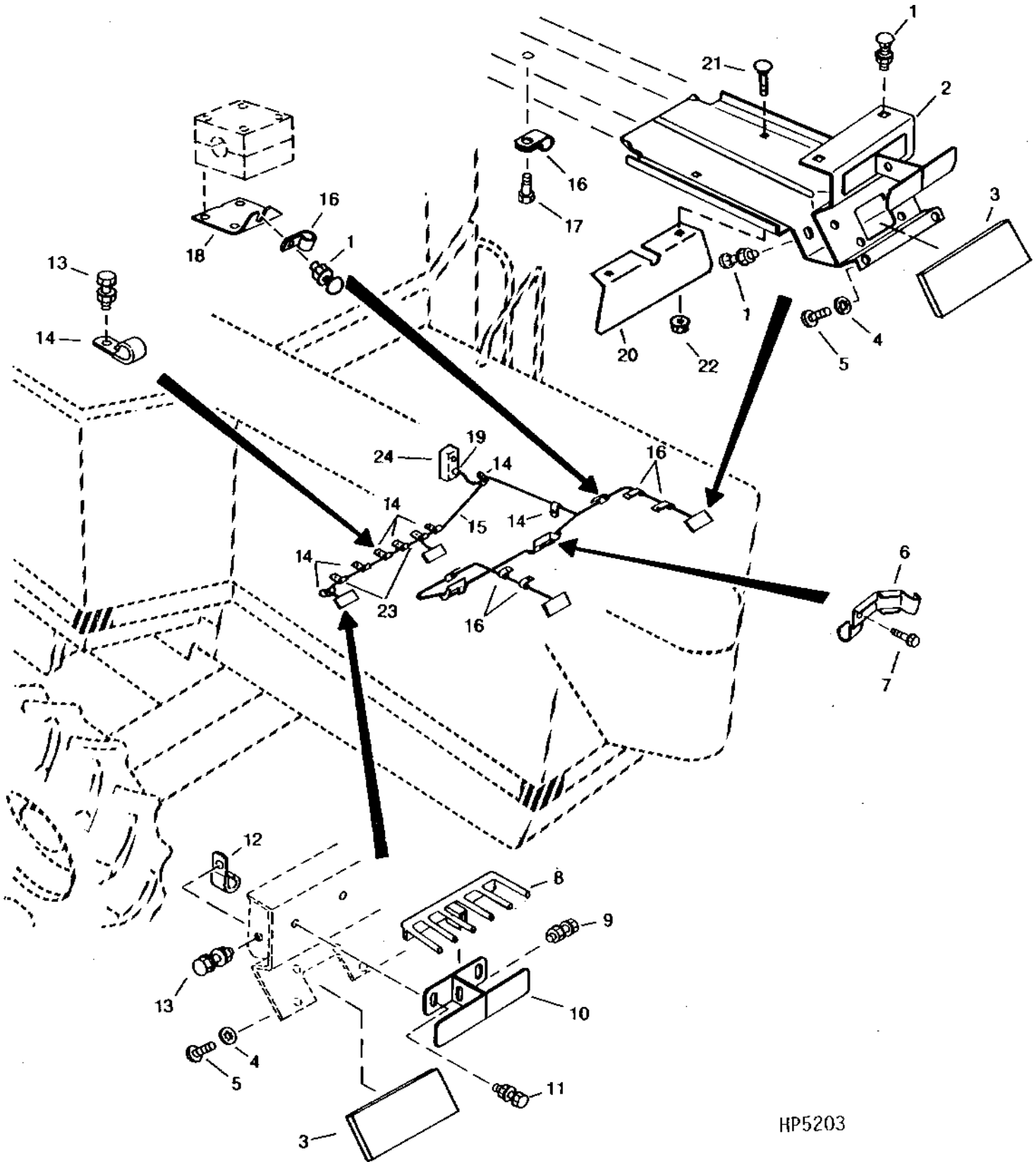
UNLOADING AUGER SENSOR AND WIRING HARNESS - CONTINUED
(660201-)

KEY	PART NO.	PART NAME	QTY	SERIAL NO.	S H 9 5 0 0 0 0	REMARKS
1	W38051	PIN	1		X X	
2	BRACKET	1		X X	(SUB AH145769) SENSOR
3	24M7028	WASHER	1		X X	10.500 X 20 X 2 MM (0.413" X 0.787" X 0.079")
4	COVER	1		X X	(SUB AH145769) SENSOR BRACKET
5	37M7079	SCREW	4		X X	M6 X 12, SELF-TAPPING
6	H140628	NUT	2		X X	SPEED
7	AH130603	ACTUATOR	1	-672238	X	MAGNET
	AH130603	ACTUATOR	1	-670500	X	
	AH150473	ACTUATOR	1	672239-	X	
	AH150473	ACTUATOR	1	670501-	X	
8	37M7071	SCREW	2		X X	SELF-TAPPING
9	H149788	TORSION SPRING	1		X X	
10	BRACKET	1		X X	(SUB AH145769)
11	37M7215	SCREW	2		X X	
12	AH130602	REED SWITCH	1		X X	
13	11M7012	COTTER PIN	1		X X	3.200 X 16 MM (0.126" X 0.630")
14	AH145769	SENSOR	1		X X	UNLOADING AUGER
15	AH89557	CLIP	3		X X	ONE USED WITH SOLID AUGER HOUSING, 3 USED WITH PERFORATED AUGER HOUSING.
16	RE12363	CONNECTOR	1		X X	(PKG. OF 3)
	R78048	TERMINAL NIPPLE	1		X X	
	R78059	ELECTRICAL PLUG	2		X X	(PKG. OF 40)
17	AH143761	WIRING HARNESS	1		X X	
18	R78053	PIN CONTACT CONNECTOR BODY	1		X X	(PKG OF 3)
	R78058	PIN CONTACT	2		X X	(PKG OF 40)
	R78059	ELECTRICAL PLUG	2		X X	(PKG. OF 40)
19	24M7028	WASHER	3		X X	10.500 X 20 X 2 MM (0.413" X 0.787" X 0.079") AS REQUIRED BETWEEN BRACKETS

3E7

ELECTRICAL

HARVESTRAK MONITOR SYSTEM AND WIRING HARNESS
HP5203 -UN-01JAN94



HP5203

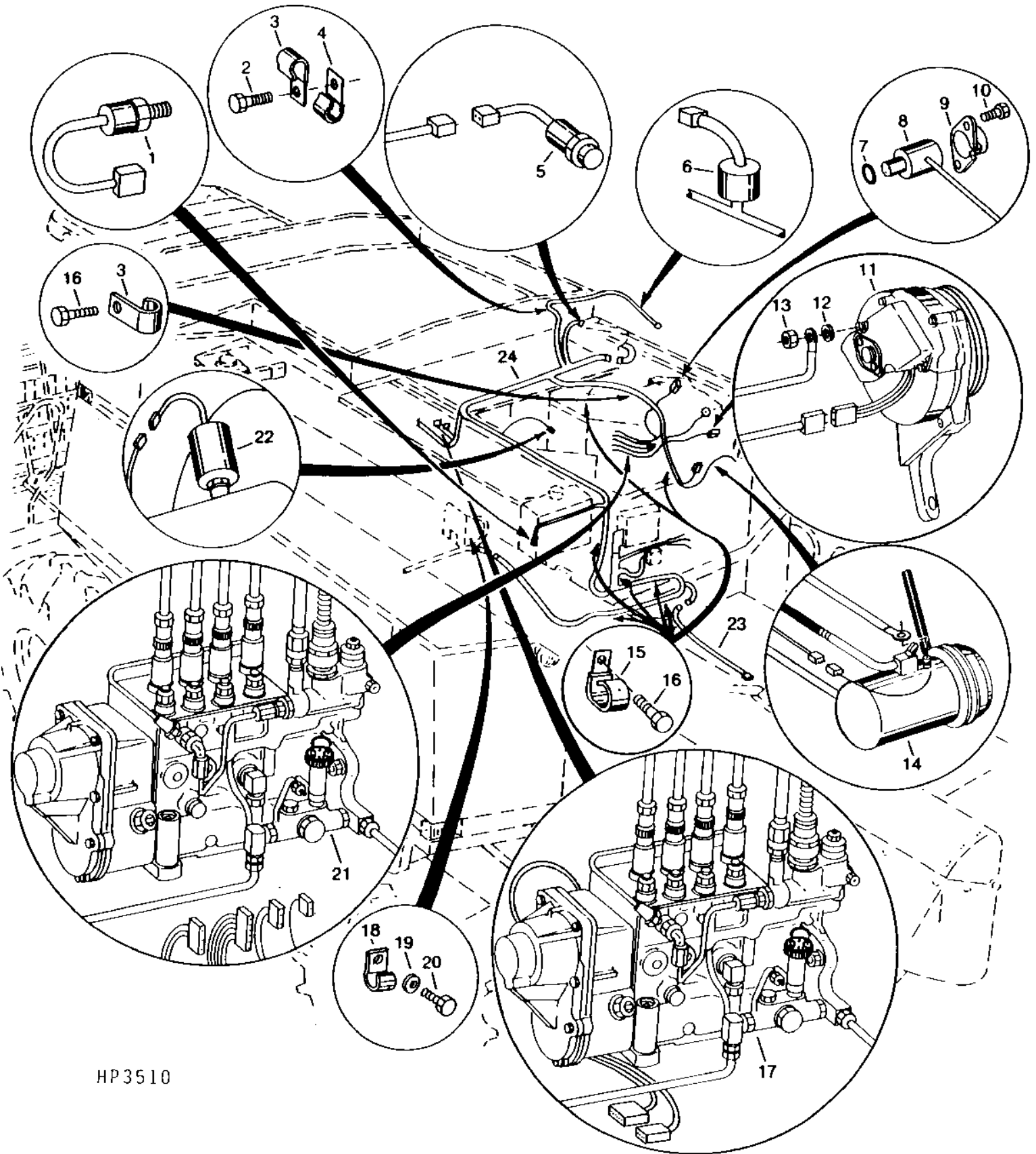
HARVESTRAK MONITOR SYSTEM AND WIRING HARNESS - CONTINUED

KEY	PART NO.	PART NAME	QTY	SERIAL NO.	S H 9 5 0 0	REMARKS
1	03M7183	BOLT	10		X X	M8 X 16
	14M7298	FLANGE NUT	10		X X	M8
2	AH126555	BRACKET	2	-631129	X	(SUB AH135047)
	AH135047	BRACKET	2	631130-646076	X X	(SUB AH141038)
	AH141038	SUPPORT	2		X X	
3	AH126272	SENSOR	4		X X	
4	12H295	LOCK WASHER	16		X X	0.190", (INTERNAL TOOTH)
5	21H1427	SCREW	16		X X	0.190" X 1/2"
6	H132812	RETAINER	1		X X	RIGHT-HAND
	H132813	RETAINER	1		X X	LEFT-HAND
7	37M7083	SCREW	2		X X	M8 X 12, (SELF-TAPPING)
8	H114411	FINGER	2		X X	
9	19M7863	SCREW	2	-642457	X	M6 X 25
	19M7862	SCREW	2	642458-	X X	M6 X 20
	14M7303	FLANGE NUT	2		X X	M6
10	AH125672	DEFLECTOR	2		X X	
11	19M7162	CAP SCREW	4	-646544	X X	M8 X 16
	19M7865	SCREW	4	646545-	X X	M8 X 16
	14M7298	FLANGE NUT	4		X X	M8
12	T74410	CLAMP	2		X X	
13	19M7865	SCREW	8		X X	M8 X 16
	14M7298	FLANGE NUT	8		X X	M8
14	AH89557	CLIP	6		X X	
15	AH128422	WIRING HARNESS	1	-646236	X X	
	AH134255	WIRING HARNESS	1	646237-	X X	
	R78063	TERMINAL NIPPLE	8	652232-	X X	
	57M7298	TERMINAL	8	652232-	X X	
	57M7306	CONNECTOR	4	652232-	X X	
	57M7309	RECEPTACLE CONNECTOR BODY	4	652232-	X X	
16	AH77724	CLIP	6		X X	
17	37M7089	SCREW	2		X X	M6 X 12, (SELF-TAPPING)
18	H140074	PLATE	2		X X	
19	H118422	ELECTRICAL PLUG	1		X X	9 HOLES, FEMALE (TO PRE-AMP)
	R77465	SOCKET CONTACT	AR		X X	
20	H140414	DEFLECTOR	2	631130-	X X	
21	03M7184	BOLT	8	631130-	X X	M8 X 20
22	14M7396	LOCK NUT	8	631130-	X X	M8
23	AH77279	CLIP	2	-646088	X X	
	AH89557	CLIP	3	646089-	X X	
	19M7865	SCREW	3	646089-	X X	M8 X 16
	14M7298	FLANGE NUT	3	646089-	X X	M8
	24M7027	WASHER	3	646089-	X X	5.300 X 10 X 1 MM
24	AH125744	RELAY MODULE	1		X X	PRE AMP MODULE
..	AH143762	KIT	1	-652232	X X	(SUB (8) R78063, (8) 57M7298, (4) 57M7306 AND (4) 57M7309)

HARNESS FOR 6076 ENGINE

(UPPER PARTS)

HP3510 -UN-01JAN94



HP3510

3E10

ELECTRICAL

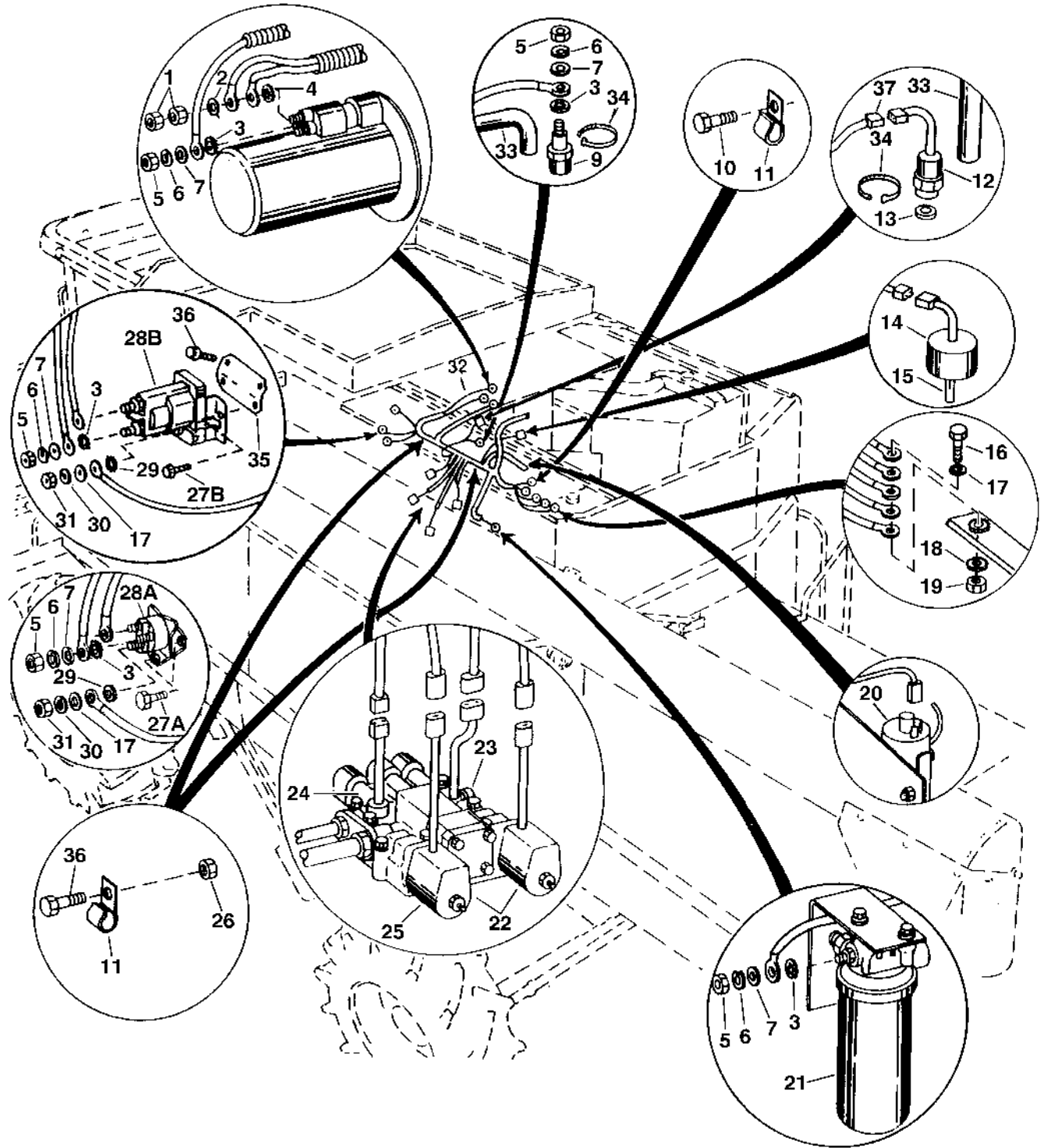
**HARNESS FOR 6076 ENGINE - CONTINUED
(UPPER PARTS)**

KEY	PART NO.	PART NAME	QTY	SERIAL NO.	S H 9 9 5 5 0 0 0 0	REMARKS
1	AH116105	SWITCH	1		X X	FOR HYD. OIL TEMP.
2	19M7865	SCREW	1		X X	M8 X 16
3	AH89486	CLIP	1	-661744	X X	(SUB AH96317)
	AH96317	CLIP	1		X X	
4	AH89557	CLIP	1		X X	
5	AH138802	SWITCH	1	-665977	X X	
	AH148258	SWITCH	1		X X	
6	RE24307	HIGH PRESSURE SWITCH	1		X X	FOR A/C HIGH PRESSURE
7	R79915	O-RING	1		X X	15.540 X 2.160 MM (0.612" X 0.085")
8	RE12180	SENSOR	1		X X	FOR ENGINE TACH
9	R67230	COVER	1		X X	
10	19H1948	CAP SCREW	2		X X	1/4" X 3/4"
	12H302	LOCK WASHER	2		X X	1/4"
	24H1287	WASHER	2		X X	9/32" X 5/8" X 0.065"
11	ALTERNATOR	1		X X	(SEE ELECTRICAL SECTION)
12	12H297	LOCK WASHER	1		X X	1/4"
13	14H786	NUT	1		X X	1/4"
14	COMPRESSOR	1		X X	(SEE OPERATOR'S STATION SECTION)
15	AH89557	CLIP	1		X X	
	AH89486	CLIP	AR	-661744	X X	(SUB AH96317)
	AH96317	CLIP	AR		X X	
16	19M7774	SCREW	1		X X	M6 X 12
17	FUEL INJECTION PUMP	1		X X	(SEE ENGINE SECTION)
18	AH90990	CLIP	1		X X	
19	14M7298	FLANGE NUT	1		X X	M8
20	19M7865	SCREW	1		X X	M8 X 16
21	FUEL INJECTION PUMP	1		X X	(SEE ENGINE SECTION)
22	AH113292	SWITCH	1	-665977	X X	FOR AIR CLEANER (PLUGGED)
	AH148259	SWITCH	1		X X	FOR AIR CLEANER (PLUGGED)
23	AH125036	WIRING HARNESS	1		X X	FOR STRAW WALKER PLUGGED SWITCH
24	AH134260	WIRING HARNESS	1	-640200	X	SUB FOR AH128426 AND AH134246(NIPPONDENSO)
	AH134268	WIRING HARNESS	1	640201-650200	X X	(SUB AH142594 AND AH142597) NIPPENDOSO PUMP
	AH142594	WIRING HARNESS	1	-660200	X X	
	AH144893	WIRING HARNESS	1	660201-	X X	(NIPPONDENSO)
	AH142595	WIRING HARNESS	1	-660200	X X	(WITH AH142597 SUB FOR AH134269) (BOSCH)
	AH148406	WIRING HARNESS	1	660201-21JA97	X X	(SUB FOR AH144954)
	AH153207	WIRING HARNESS	1	21JA97-	X X	
..	H116160	SEALANT	1		X X	3 OZ. TUBE OF SEALANT
..	AH142597	WIRING HARNESS	1	650201-	X X	MUST BE USED WITH HARNESSES (650201-) WHEN USED ON MACHINES (-650200)

3E11

ELECTRICAL

HARNESS FOR 6076 ENGINE
(LOWER PARTS)
HP7268 -UN-21JAN98



HP7268

3E12

ELECTRICAL

**HARNESS FOR 6076 ENGINE - CONTINUED
(LOWER PARTS)**

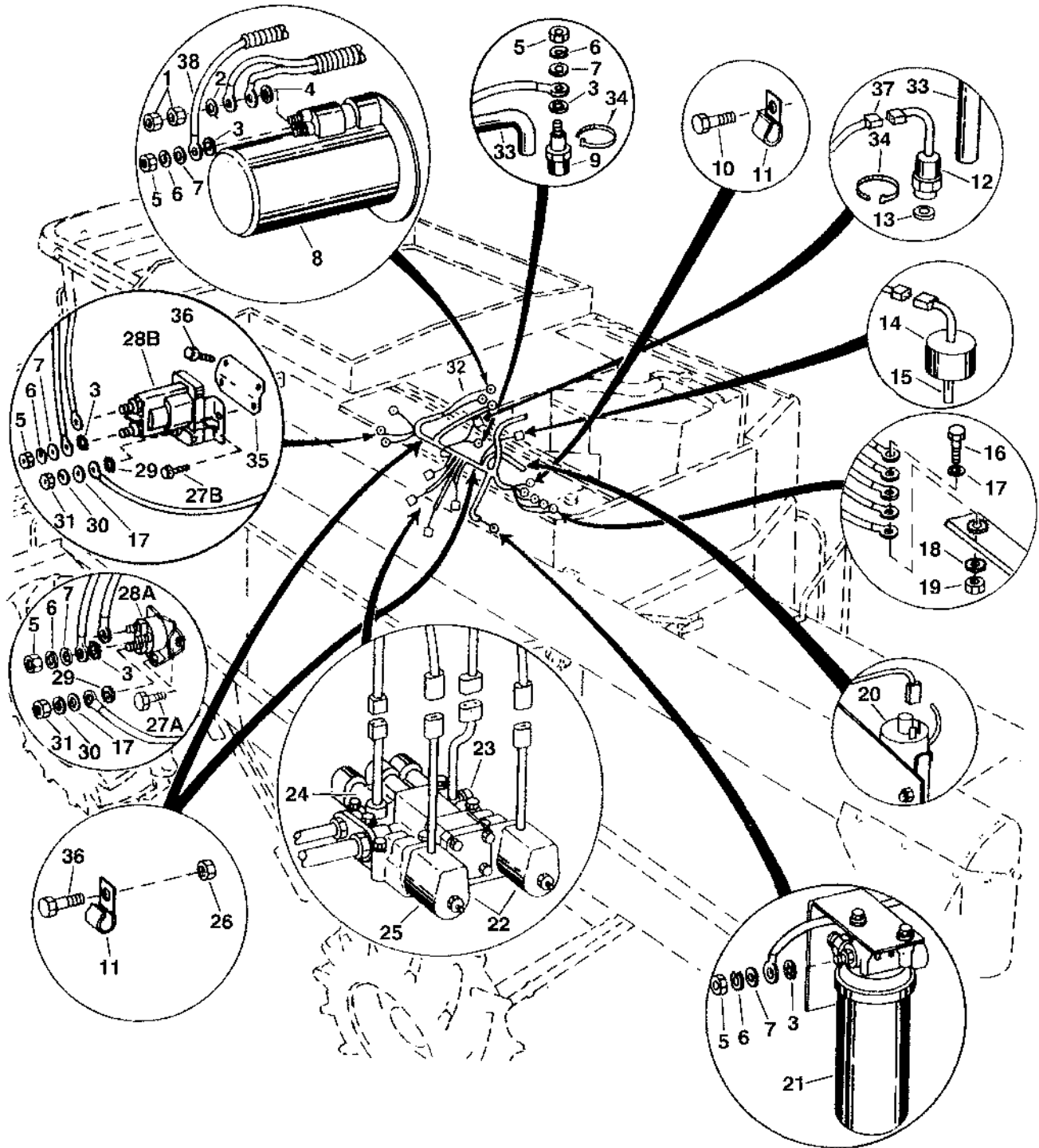
KEY	PART NO.	PART NAME	QTY	SERIAL NO.	S	H	REMARKS
					9	9	
					5	5	
					0	0	
					0	0	
1	14H732	NUT	2	-638399	X		3/8"
	14H826	NUT	2	638400-671193	X	X	1/2"
	14M7415	NUT	2	671194-	X	X	M12
2	24M7028	WASHER	1	-671193	X	X	10.500 X 20 X 2 MM
	24M7047	WASHER	1	671194-	X	X	13 X 24 X 2.500 MM
3	12M7112	LOCK WASHER	4	-660794	X	X	5.300 MM, (SUB 12M7060)
4	12M7034	LOCK WASHER	1	-643087	X		10.500 MM, (SUB 12M7033)
	12M7033	LOCK WASHER	1		X	X	10.500 MM
5	14H631	NUT	4		X	X	0.190"
6	12H246	LOCK WASHER	4		X	X	0.190"
7	24M7027	WASHER	4		X	X	5.300 X 10 X 1 MM
8	STARTER MOTOR	1		X	X	(SEE ENGINE SECTION)
9	AT37368	SENDER	1		X	X	ENGINE COOLANT TEMPERATURE
10	37M7083	SCREW	3	-660200	X	X	M8 X 12
11	AH89486	CLIP	2	-660200	X	X	
	R44302	TIE BAND	4	660201-	X	X	
	H141406	TIE BAND	1	660201-22APR	X	X	
	H77698	TIE BAND	1	22APR-	X	X	
12	AH121234	SWITCH	1	-665977	X	X	FOR ENGINE TEMP
	AH148278	SWITCH	1	-671410	X	X	FOR ENGINE TEMP
	AH152457	SWITCH	1	671411-	X	X	(SUB AH155523)
	AH155523	SWITCH	1	672544-	X	X	
	AH158689	SWITCH	1		X	X	
13	R76337	WASHER	1	-671410	X	X	22 X 29.500 X 1.630 MM (0.866" X 1.161" X 0.064")
14	AH133896	SWITCH	1		X	X	FOR ENGINE OIL PRESS
15	R53014	FITTING	1		X	X	
16	19M7868	SCREW	1		X	X	M8 X 30
17	24M7055	WASHER	2		X	X	8.400 X 16 X 1.600 MM
18	12M7032	LOCK WASHER	2		X	X	8.400 MM
19	14M7298	FLANGE NUT	1		X	X	M8
20	AT39623	SOLENOID	1	-656805	X	X	FOR EITHER START
	RE48310	STARTING AID SOLENOID	1	656806-	X	X	
21	HYDRAULIC FILTER	1		X	X	
22	AH128655	SOLENOID VALVE	1		X	X	UNLDG AUGER & SEPARATOR ENGAGE
23	AH128927	SWITCH	1	-637609	X		(SUB AH135744) SEPARATOR DRIVE PRESSURE
	AH135744	SWITCH	1		X	X	
	R28782	O-RING	1		X	X	8.915 X 1.829 MM (0.351" X 0.072")
24	AH116105	SWITCH	1		X	X	GEARCASE TEMPERATURE SWITCH
	R26375	O-RING	1		X	X	16.358 X 2.210 MM (0.644" X 0.087")
25	AH128785	SHUT-OFF VALVE	1		X	X	
26	14M7303	FLANGE NUT	1		X	X	M6
..	BH79118	COMPLETE GOODS/SHIP. BUNDLE	1		X	X	TEMPERATURE SENSOR PROTECTION

3E13

HARNESS FOR 6076 ENGINE - CONTINUED

(LOWER PARTS)

HP7594 -UN-27JUL98



HP7594

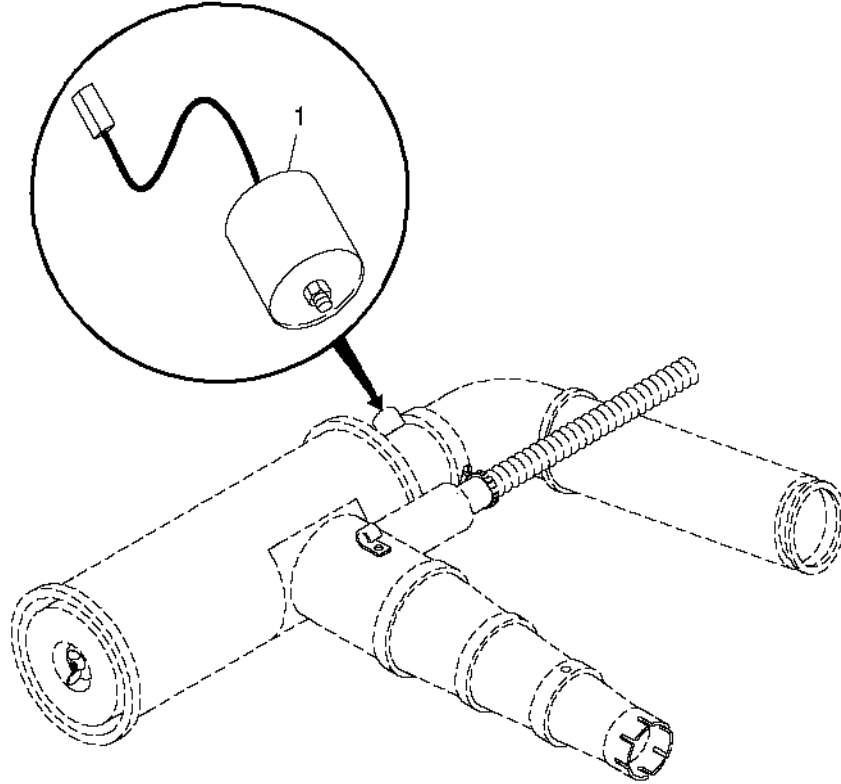
**HARNES FOR 6076 ENGINE - CONTINUED
(LOWER PARTS)**

KEY	PART NO.	PART NAME	QTY	SERIAL NO.	S H 9 5 0 0 0	REMARKS
27A	19M7774	SCREW	2		X X	M6 X 12
27B	37M7089	SCREW	2	-640200	X X	M6 X 12
	19M7774	SCREW	2	640201-661119	X X	M6 X 12
28A	AM53945	SOLENOID	1	-638117	X	
	AM53945	SOLENOID	1	661120-	X X	
28B	AM105171	SOLENOID	1	638118-661119	X X	(USE WITH H144291, (2) 37M7089 AND (2) 14M7303)
29	12M7032	LOCK WASHER	2		X X	8.400 MM (0.331") (SUB FOR 12M7122)
30	12H303	LOCK WASHER	2		X X	5/16"
31	14H785	NUT	2		X X	5/16"
32	AH134260	WIRING HARNESS	1	-640200	X	(SUB FOR AH128426 OR AH134246)
	AH142594	WIRING HARNESS	1	640201-660200	X	(SUB FOR AH134268) (USE WITH AH142597)
	AH144893	WIRING HARNESS	1	666201-	X	
	AH134269	WIRING HARNESS	1	640201-650200	X X	(SUB AH142595 AND AH142597) BOSCH INJECTION PUMP
	AH142595	WIRING HARNESS	1	-660200	X X	
	AH144954	WIRING HARNESS	1	660201-665884	X X	
	AH148406	WIRING HARNESS	1	665885-21JA97	X X	
	AH153207	WIRING HARNESS	1	21JA97-	X X	
33	H138200	INSULATING SLEEVE	2		X X	HEAT PROTECTION FOR ENGINE TEMP SENDER, SWITCH AND WIRES
34	M66044	TIE BAND	4		X X	(SUB R44302)
	R44302	TIE BAND	4		X X	
35	H144291	PLATE	1	636300-660119	X X	
36	19M7774	SCREW	2	636300-	X X	M6 X 12
37	AH155820	WIRING LEAD	1	671325-671899	X X	USE WITH AH155523
	AH155821	WIRING LEAD	1	671325-671899	X X	USE WITH AH155523
38	AH155483	WIRING LEAD	1	5MAY7-	X X	(SERVICE ONLY)
..	H116160	SEALANT	1		X X	3 OZ. TUBE OF SEALANT
..	AH142597	WIRING HARNESS	1	650201-	X X	MUST BE USED WITH HARNESSES (650301-) WHEN USED ON MACHINES (-650300)
..	BH79118	COMPLETE GOODS/SHIP. BUNDLE	1		X X	TEMPERATURE SENSOR PROTECTION

3E15

ELECTRICAL

ENGINE PLUGGED AIR FILTER WARNING SWITCH
 HP9338 -UN-19NOV99



HP9338

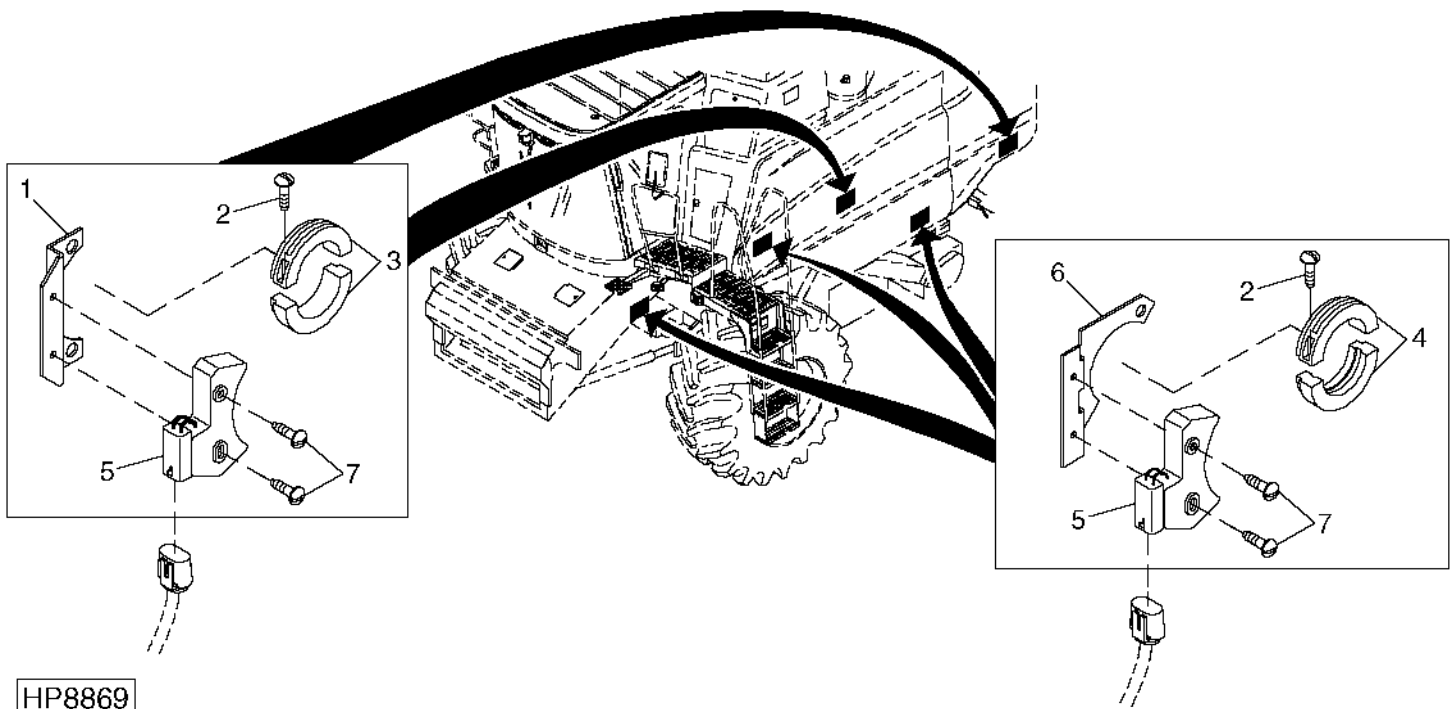
KEY	PART NO.	PART NAME	QTY	SERIAL NO.	S H 9 5 0 0	REMARKS
1	AH113292	SWITCH	1		0 0	X X

3E16

ELECTRICAL

LOW SHAFT SPEED SENSORS AND BRACKETS

HP8869 -UN-28JUL99



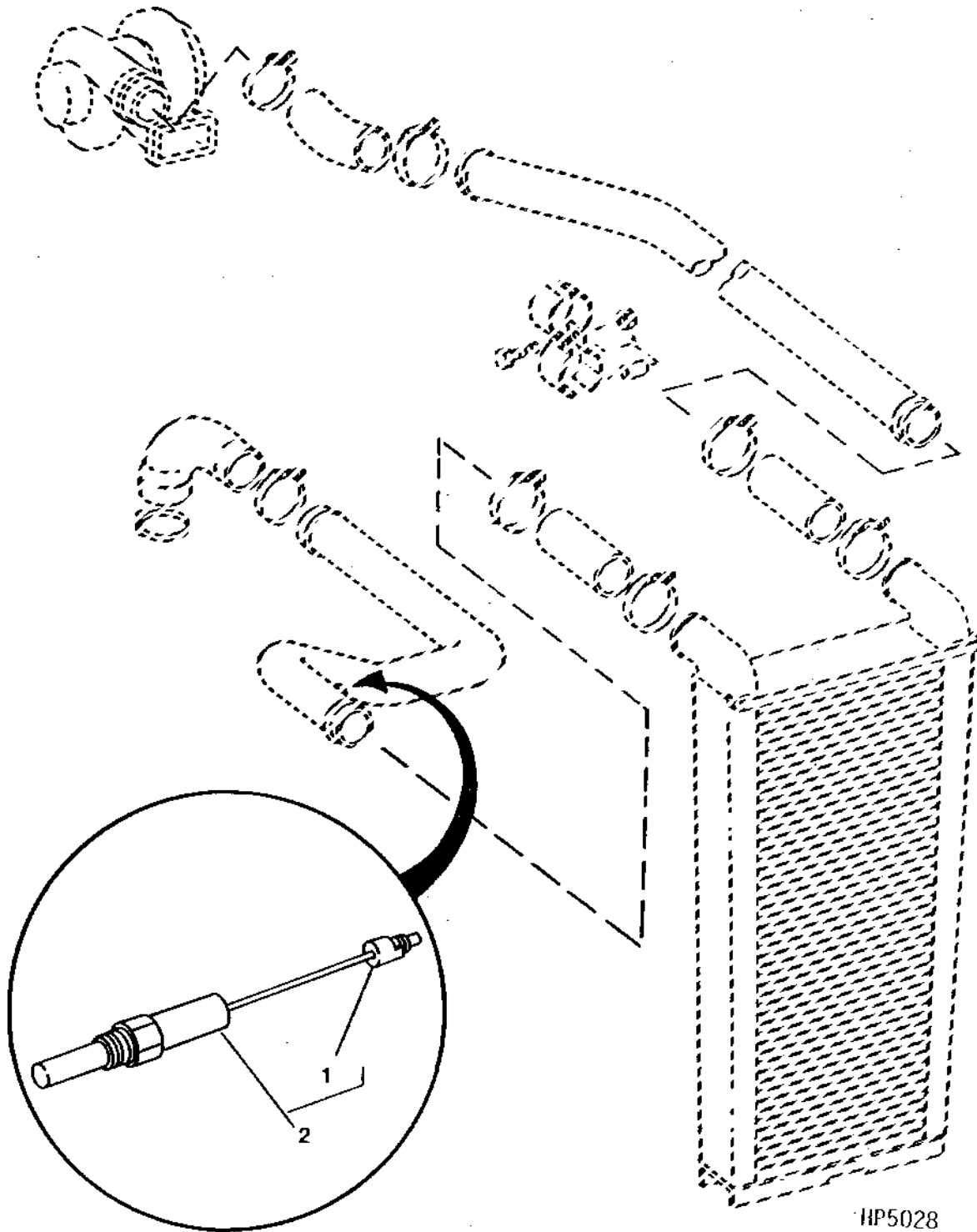
HP8869

KEY	PART NO.	PART NAME	QTY	SERIAL NO.	REMARKS
					S H 9 9 5 5 0 0 0 0
1	H148270	BRACKET	2	X X	(SUB FOR AH100012)
2	H168924	SCREW	AR	X X	
	37M7077	SCREW	10	X X	
3	AH161839	MAGNET	1	X X	(SUB FOR H104793 OR H104794) LARGE
4	AH161838	MAGNET	1	X X	(SUB FOR H104795 OR H104796) LARGE MAGNETIC
5	AH131320	SWITCH	5	X X	
6	H148271	BRACKET	3	X X	(ORDER (2) 37M7077) (SUB FOR AH100013)
7	37M7077	SCREW	10	X X	4.8 X 32 MM (.1890" X 1.2598")

3E17

ELECTRICAL

INLET AIR TEMPERATURE SWITCH
HP5028 -UN-01JAN94



3E18

ELECTRICAL

INLET AIR TEMPERATURE SWITCH - CONTINUED

KEY	PART NO.	PART NAME	QTY	SERIAL NO.	S H 9 5 0 0	REMARKS
1	RE12363	CONNECTOR	1		X X	(PKG OF 3)
	R78060	SOCKET CONTACT	1		X X	(PKG OF 40)
	R78063	TERMINAL NIPPLE	1		X X	(PKG OF 40)
2	AH138802	SWITCH	1	-665977	X X	
	AH148258	SWITCH	1		X X	

GRAIN TANK WIRING HARNESS, LIGHT, LIMIT SWITCH AND LEVEL MONITOR - CONTINUED

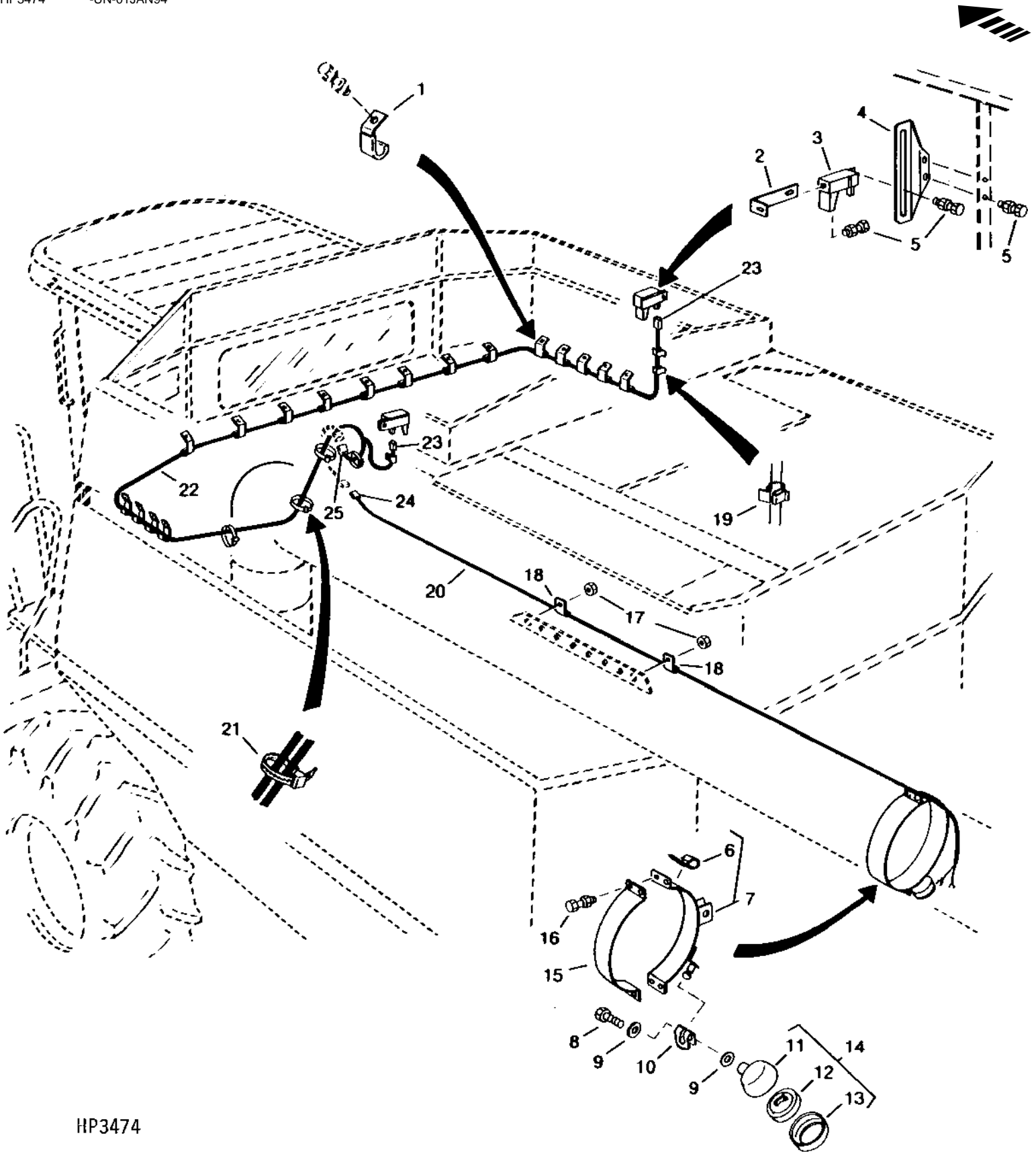
KEY	PART NO.	PART NAME	QTY	SERIAL NO.	S H 9 9 5 5 0 0 0 0	REMARKS
1	AD2062R	BULB	1		X X	
2	AH152451	LAMP	1		X X	(SUB AH164499) (SUB FOR AH133109)
	AH164499	LAMP	1		X X	
3	19M7865	SCREW	1		X X	M8 X 16, (FOR WIRING HARNESS GROUND WIRE)
	14M7298	FLANGE NUT	1		X X	M8
4	19M7866	SCREW	2		X X	M8 X 20
	14M7298	FLANGE NUT	2		X X	M8
5	H76064	CLIP	1		X X	
6	RE12366	CONNECTOR	1		X X	(PKG OF 2)
	R78051	SEAL	1		X X	(PKG OF 5)
	R78060	SOCKET CONTACT	1		X X	(PKG OF 40)
7	R78052	PIN CONTACT CONNECTOR BODY	1		X X	(PKG OF 3)
	R78061	PIN CONTACT	1		X X	(PKG OF 40)
8	H135072	BRACKET	1		X X	
	H133824	BRACKET	1		X	
9	19M7775	SCREW	4		X X	M6 X 16
	14M7303	FLANGE NUT	4		X X	M6
10	AH121475	SENSOR	1		X X	
11	H133645	REINFORCEMENT	1		X X	
12	T32231	CLAMP	1		X X	
13	19M7177	CAP SCREW	3	-640200	X	M6 X 35
	19M6755	CAP SCREW	2	640201-29SEP7	X X	M6 X 35
	19M7865	SCREW	2	29SEP7-	X X	M8 X 16
14	24M7054	WASHER	3		X X	6.400 X 12 X 1.600 MM
	24M7139	WASHER	3	29SEP7-	X X	6.400 X 18 X 1.600 MM
15	AH89557	CLIP	1		X X	
16	AH89486	CLIP	1	-661744	X X	(SUB AH96317)
	AH96317	CLIP	1		X X	
17	19M7865	SCREW	1		X X	M8 X 16
	14M7298	FLANGE NUT	1		X X	M8
18	AH142999	SWITCH	1	647404-	X X	(SUB AH163979) (INCLUDES H148702) (SUB FOR AH128906, AH137183 AND AH140989)
	AH163979	KIT	1		X X	
19	H130637	CLAMP	13	-641153	X	
	H130637	CLAMP	9	641154-	X X	
	AH139300	CLAMP	4	641154-650383	X X	(SUB AH117301)
	AH117301	CLAMP	4	-651119	X X	
	AH117301	CLAMP	3	651120-	X X	
20	AH128405	WIRING HARNESS	1	-640200	X	(SUB AH134240)
	AH134240	WIRING HARNESS	1	-660200	X X	(SUB AH143922)
	AH143922	WIRING HARNESS	1	-29SEP7	X X	
	AH151775	WIRING HARNESS	1	29SEP7-	X X	W/ GREENSTAR
21	H118425	CONNECTOR	1		X X	(22 HOLES, MIXED)
	AE44930	CONNECTOR	1		X X	
	R78057	SOCKET CONTACT	1		X X	(PKG OF 40)
	R78060	SOCKET CONTACT	1		X X	(PKG OF 40)
22	RE12362	CONNECTOR	1		X X	(PKG OF 3)
	R78047	SEAL	1		X X	(PKG OF 5)
23	RE12363	CONNECTOR	1		X X	(PKG OF 3)
	R78048	TERMINAL NIPPLE	1		X X	(PKG OF 5)
	R78057	SOCKET CONTACT	1		X X	(PKG OF 40)
24	R78053	PIN CONTACT CONNECTOR BODY	1		X X	(PKG OF 3)
	R78063	TERMINAL NIPPLE	1		X X	(PKG OF 40)
	R78060	SOCKET CONTACT	1		X X	(PKG OF 40)
	R78061	PIN CONTACT	1		X X	(PKG OF 40)

3E21

ELECTRICAL

GRAIN TANK DUAL LEVEL MONITOR HARNESS AND UNLOADING AUGER LIGHT

HP3474 -UN-01JAN94



HP3474

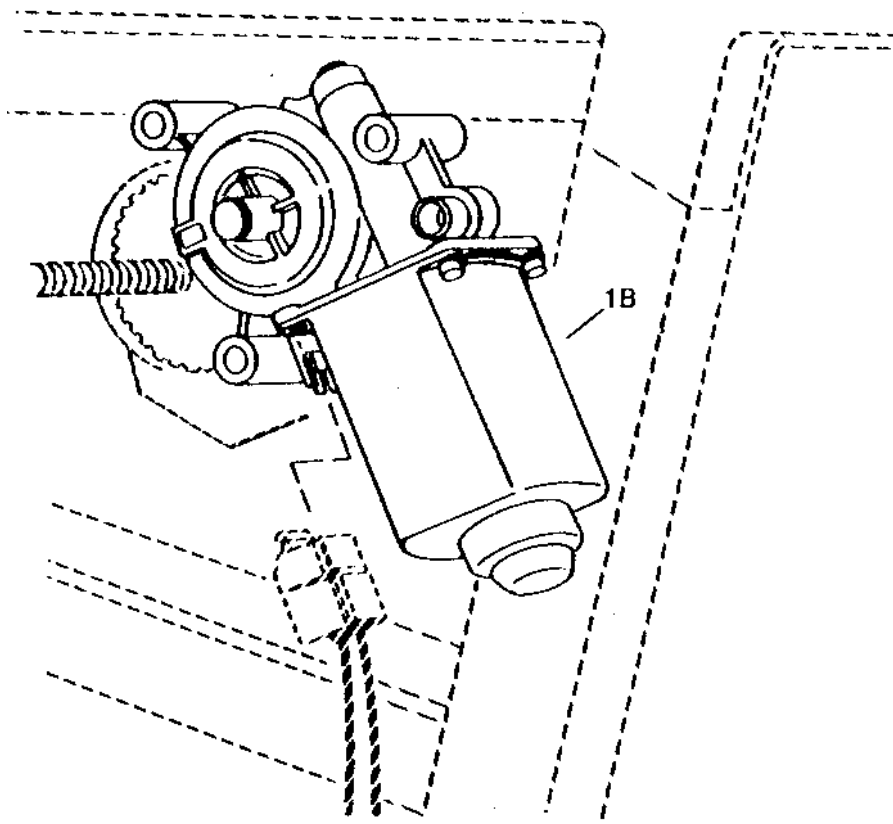
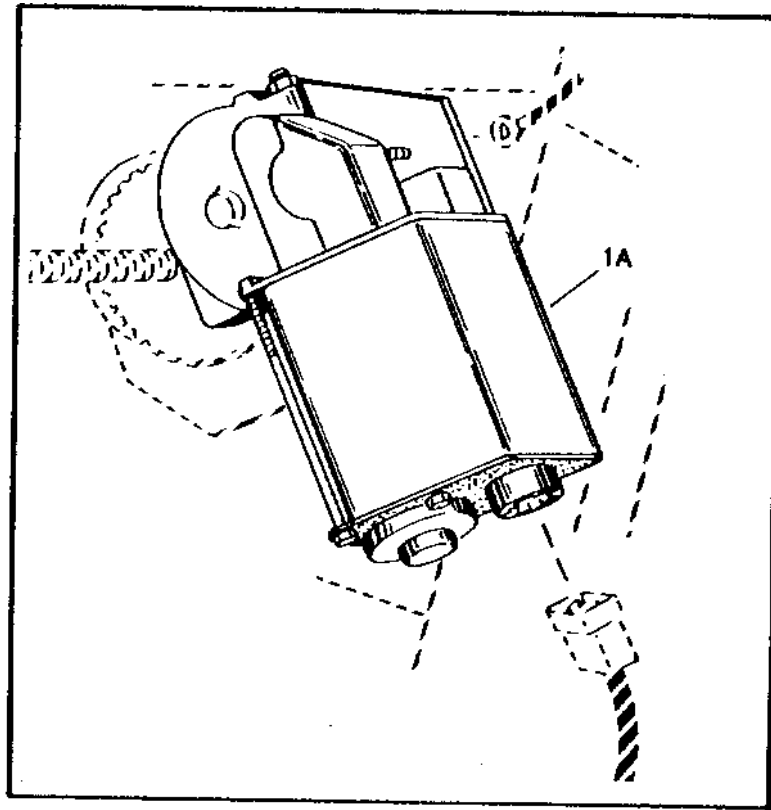
GRAIN TANK DUAL LEVEL MONITOR HARNESS AND UNLOADING AUGER LIGHT - CONTINUED

KEY	PART NO.	PART NAME	QTY	SERIAL NO.	S H 9 5 0 0	REMARKS
1	H130637	CLAMP	5		X X	
2	H133645	REINFORCEMENT	1		X X	
3	AH121475	SENSOR	1		X X	
4	H135072	BRACKET	1		X X	
5	19M7775	SCREW	4		X X	M6 X 16
	14M7303	FLANGE NUT	4		X X	M6
6	AH89557	CLIP	1		X X	
7	AH126541	CLAMP	1		X X	
8	19H1974	CAP SCREW	1		X X	1/2" X 2-3/4"
9	24H1111	WASHER	2		X X	17/32" X 1-1/16" X 0.090"
10	R67377	CLAMP	1		X X	
11	HOUSING	1		X X	
12	AR42591	HEADLIGHT	1		X X	35 WATT
13	R31250	BEZEL	1		X X	
14	AH98901	HEADLIGHT	1	-665200	X X	(SUB AH162581 KIT AND AF3892R LAMP)
	AH148210	HEADLIGHT	1	665201-	X X	
15	H133178	CLAMP	1		X X	
16	19M7800	SCREW	4		X X	M8 X 50
	14M7396	LOCK NUT	4		X X	M8
17	14M7298	FLANGE NUT	2		X X	M8
18	AH89557	CLIP	2		X X	
19	H76064	CLIP	5		X X	
	H76064	CLIP	5	-640200	X	
	H76064	CLIP	4	640201-	X X	
20	AH117018	WIRING HARNESS	1	-665200	X X	(SUB FOR AH117016 OR AH117017) ALL AUGER LENGTHS
	AH148028	WIRING HARNESS	1	665201-	X X	FOR ALL AUGER LENGTHS
21	M66044	TIE BAND	7		X X	
22	AH128986	WIRING HARNESS	1		X X	
23	RE12363	CONNECTOR	1		X X	(PKG OF 3)
	R78048	TERMINAL NIPPLE	1		X X	(PKG OF 5)
	R78057	SOCKET CONTACT	1		X X	(PKG OF 40)
24	RE12363	CONNECTOR	1		X X	(PKG OF 3)
	R78048	TERMINAL NIPPLE	1		X X	(PKG OF 5)
	R78060	SOCKET CONTACT	1		X X	(PKG OF 40)
25	R78053	PIN CONTACT CONNECTOR BODY	1		X X	(PKG OF 3)
	R78063	TERMINAL NIPPLE	1		X X	(PKG OF 40)
	R78058	PIN CONTACT	1		X X	(PKG OF 40)

3E23

ELECTRICAL

SEPARATOR FAN DRIVE ADJUSTING MOTOR
HP5763 -UN-01JAN94



HP5763

3E24

ELECTRICAL

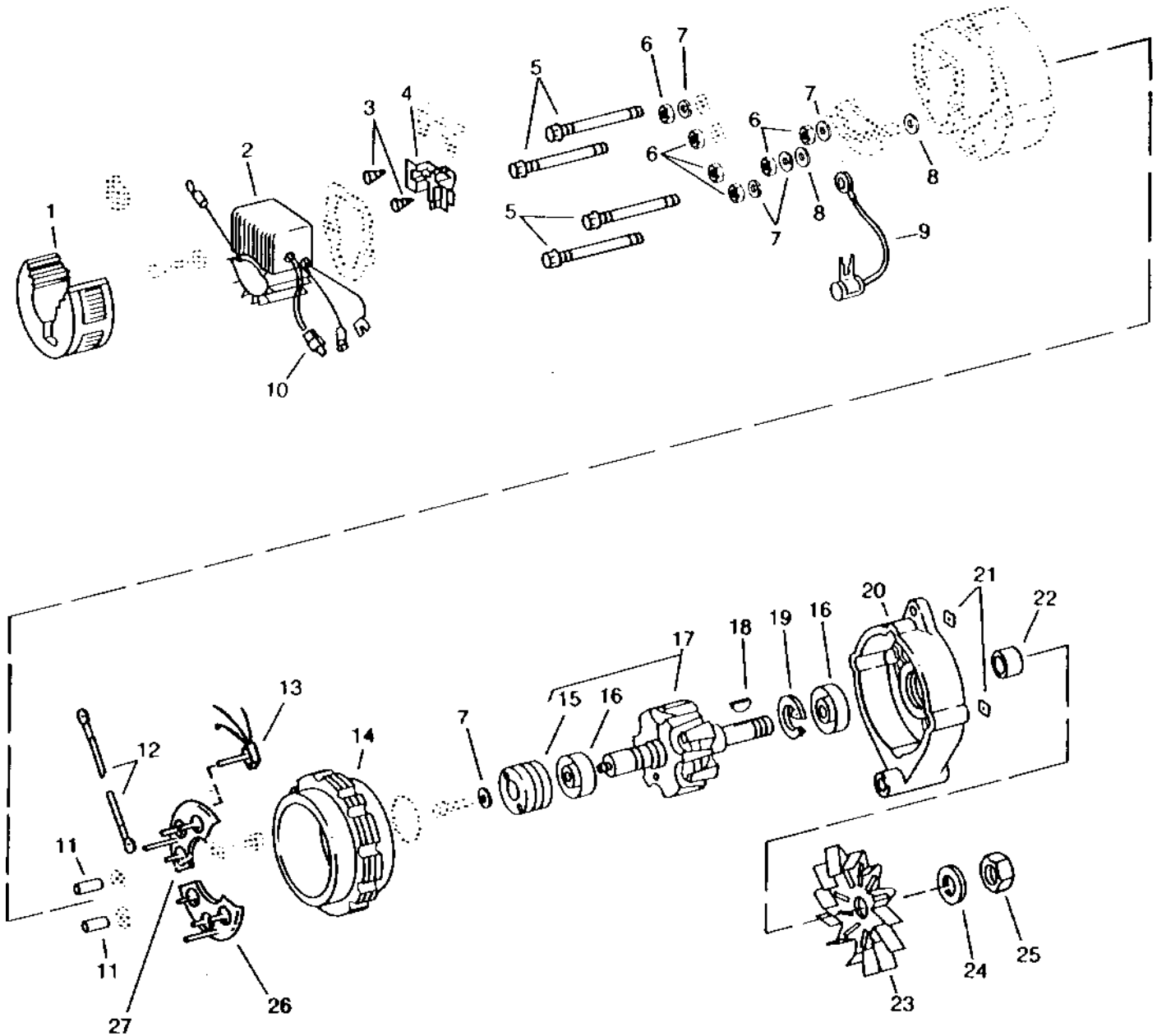
SEPARATOR FAN DRIVE ADJUSTING MOTOR - CONTINUED

KEY	PART NO.	PART NAME	QTY	SERIAL NO.	S H 9 5 0 0	REMARKS
1A	AH124567	MOTOR	1	-655200	X X	ADAPTER HARNESS AH143997, PLUS (2) ADAPTER AH106612 RELAYS, SUPPORT AH143904 AND CORRESPONDING HARDWARE (3) 19M8321 AND (3) 14M7165 MUST BE ORDERED WITH AH143903 FAN SPEED ADJUST MOTOR WHEN INSTALLED ON COMBINES WITH SERIAL NUMBERS UNDER 655200 IN COMBINATION WITH EXISTING POWER DISTRIBUTION BOARD AND L.H. WIRING HARNESS.
1B	AH143903	MOTOR	1	655201-	X X	(USE WITH AH143904, 19M8321 AND 14M7165)

3F1

ELECTRICAL

ALTERNATOR AND VOLTAGE REGULATOR (90 AMP)
MOTOROLA - PRESTOLITE
(-646145)
HP3534 -UN-01JAN94



HP 3534

3F2

ELECTRICAL

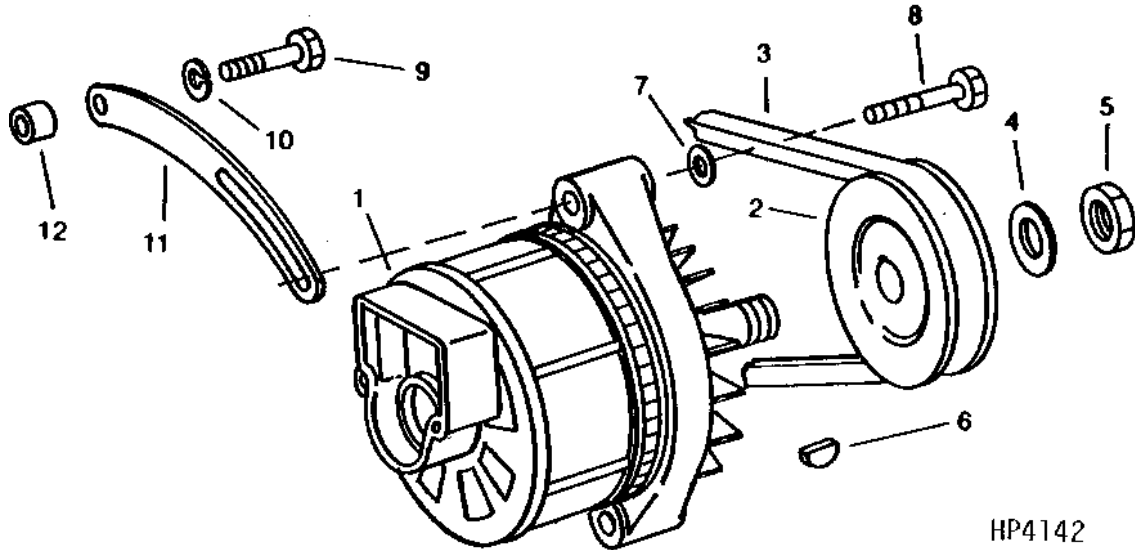
ALTERNATOR AND VOLTAGE REGULATOR (90 AMP) - CONTINUED
MOTOROLA - PRESTOLITE
(-646145)

KEY	PART NO.	PART NAME	QTY	SERIAL NO.	S H 9 5 0 0	REMARKS
1	H121705	COVER	1		X X	
2	AH117788	VOLTAGE REGULATOR	1		X X	(USE WITH T29100 GASKET, (2) 37H78 SCREW AND (2) 12H356 WASHER)
3	37H47	SCREW	2	-650869	X X	(SUB 37H95)
	37H95	SCREW	1		X X	
4	AH122311	BRUSH	1		X X	
5	R47460	BOLT	4		X X	4.826 X 84.328 MM (0.190" X 3.320")
6	14H778	NUT	6		X X	0.190"
7	12H246	LOCK WASHER	5		X X	0.190"
8	R15036	WASHER	2		X X	5.156 X 19.050 X 1.524 MM (13/64" X 3/4" X 0.060")
9	AH105521	CAPACITOR	1		X X	
10	R48887	TAB CONNECTOR BODY	1		X X	
11	T25353	BUSHING	2	-642578	X	(SUB TY6653)
12	AT27126	WIRING LEAD	1	-642578	X	(SUB TY6653)
13	AH117790	DIODE	1		X X	
14	AH117791	STATOR	1		X X	
15	TY6653	ALTERNATOR	1		X	(SUB FOR AT27127)
16	JD9395	BALL BEARING	2	-640200	X	(SUB JD9449)
	JD9449	BALL BEARING	2		X X	
17	AH117789	ROTOR	1		X X	WITH SLIP RINGS AND BEARINGS
18	26H9	SHAFT KEY	1		X X	1/8" X 5/8"
19	R15029	RETAINER	1		X X	
20	R15033	HOUSING	1		X X	
21	14H631	NUT	4		X X	0.190"
22	T25343	BUSHING	1	-642578	X	(SUB TY6653)
23	R15027	FAN	1		X X	
24	12H294	LOCK WASHER	1		X X	5/8"
25	14H866	NUT	1		X X	5/8"
26	AH134530	RECTIFIER	1		X X	RECTIFYING - NEGATIVE
27	AH134529	RECTIFIER	1		X X	RECTIFYING - POSITIVE
..	TY6653	ALTERNATOR	1	-646145	X	REMANUFACTURED, (SUB TY6748)
..	TY6748	ALTERNATOR	1	646146-	X X	REMANUFACTURED

3F3

ELECTRICAL

ALTERNATOR, SHEAVE AND BELT
 MOTOROLA - PRESTOLITE
 (-637627)
 HP4142 -UN-01JAN94



HP4142

KEY	PART NO.	PART NAME	QTY	SERIAL NO.	S	H	REMARKS
					9	9	
					5	5	
					0	0	
					0	0	
1	TY6653	ALTERNATOR	1	-646145	X		(SUB TY6748) REMANUFACTURED
	TY6748	ALTERNATOR	1		X	X	REMANUFACTURED
2	H93619	PULLEY	1		X	X	
3	H134344	BELT	1	-631100	X	X	12.700 X 1 090 MM (1/2" X 42.913")
	R73189	BELT	1	635210-643900	X	X	12.700 X 1 096 MM (1/2" X 43.150")
	H101813	BELT	1	645201-	X	X	12.700 X 1 479.550 MM (1/2" X 58-1/4")
4	12H294	LOCK WASHER	1		X	X	5/8"
5	14H866	NUT	1		X	X	5/8"
6	26H9	SHAFT KEY	1		X	X	3.175 X 15.875 MM (1/8" X 5/8")
7	24M7207	WASHER	1		X	X	8.400 X 24 X 2 MM (0.331" X 0.945" X 0.079")
8	19H2117	CAP SCREW	1		X	X	7.925 X 28.575 MM (5/16" X 1-1/8")
9	19H1726	CAP SCREW	1		X	X	9.525 X 57.150 MM (3/8" X 2-1/4")
10	12H304	LOCK WASHER	1		X	X	9.525 MM (3/8")
11	R107734	STRAP	1		X	X	
12	24H1304	WASHER	1		X	X	10.312 X 18.263 X 3.048 MM (13/32" X 23/32" X 0.120")

3F4

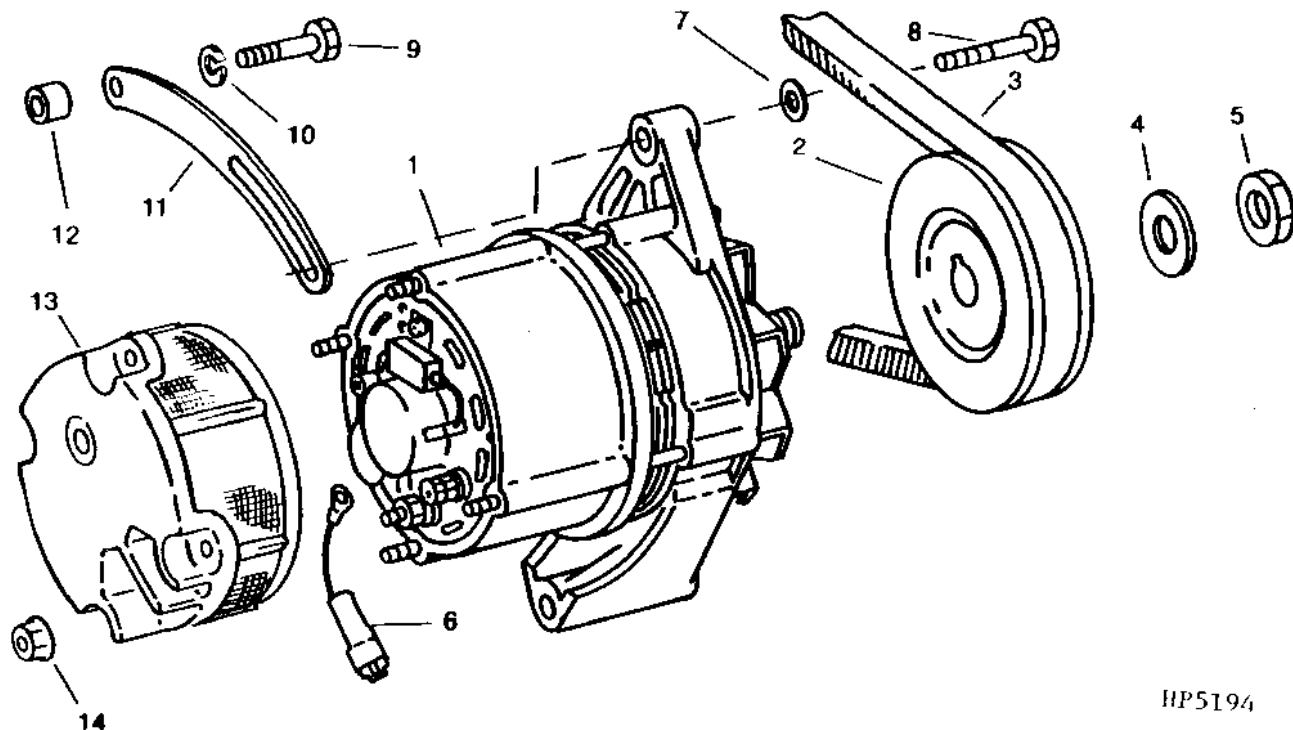
ELECTRICAL

ALTERNATOR, SHEAVE AND BELT

BOSCH

(637628-
HP5194

)
-UN-01JAN94



HP5194

KEY	PART NO.	PART NAME	QTY	SERIAL NO.	S H 9 5 0 0 0	REMARKS
1	TY24485	ALTERNATOR	1		X X	(SUB FOR TY6750) REMANUFACTURED
2	H144139	PULLEY	1		X X	(SUB FOR H144115)
3	R73189	BELT	1	-643900	X	12.700 X 1 096 MM (1/2" X 43.150")
	H101813	BELT	1	643901-	X X	12.700 X 1 479.550 MM (1/2" X 58-1/4")
4	T10745	WASHER	1		X X	17.145 X 25.781 X 1.981 MM (0.675" X 1.015" X 5/64")
5	14M7158	NUT	1		X X	M16
6	AH134262	WIRING HARNESS	1	-661307	X X	(SUB AH134262)
	AH146309	WIRING HARNESS	1		X X	
7	24M7207	WASHER	1		X X	8.400 X 24 X 2 MM (0.331" X 0.945" X 0.079")
8	19M7868	SCREW	1		X X	M8 X 30
9	19H1726	CAP SCREW	1		X X	9.525 X 57.150 MM (3/8" X 2-1/4")
10	12H304	LOCK WASHER	1		X X	9.525 MM (3/8")
11	R107734	STRAP	1		X X	
12	24H1304	WASHER	1	-650800	X X	10.312 X 18.263 X 3.048 MM (13/32" X 23/32" X 0.120")
	24M7106	WASHER	1	650801-	X X	10 X 18 X 2.500 MM (0.394" X 0.709" X 0.098")
13	AH138291	SCREEN	1	650446-	X X	(USE WITH TY6750)
	AT207952	COVER	1		X X	(USE WITH TY24485)
14	14M7375	FLANGE NUT	4	650446-	X X	M5

3F5

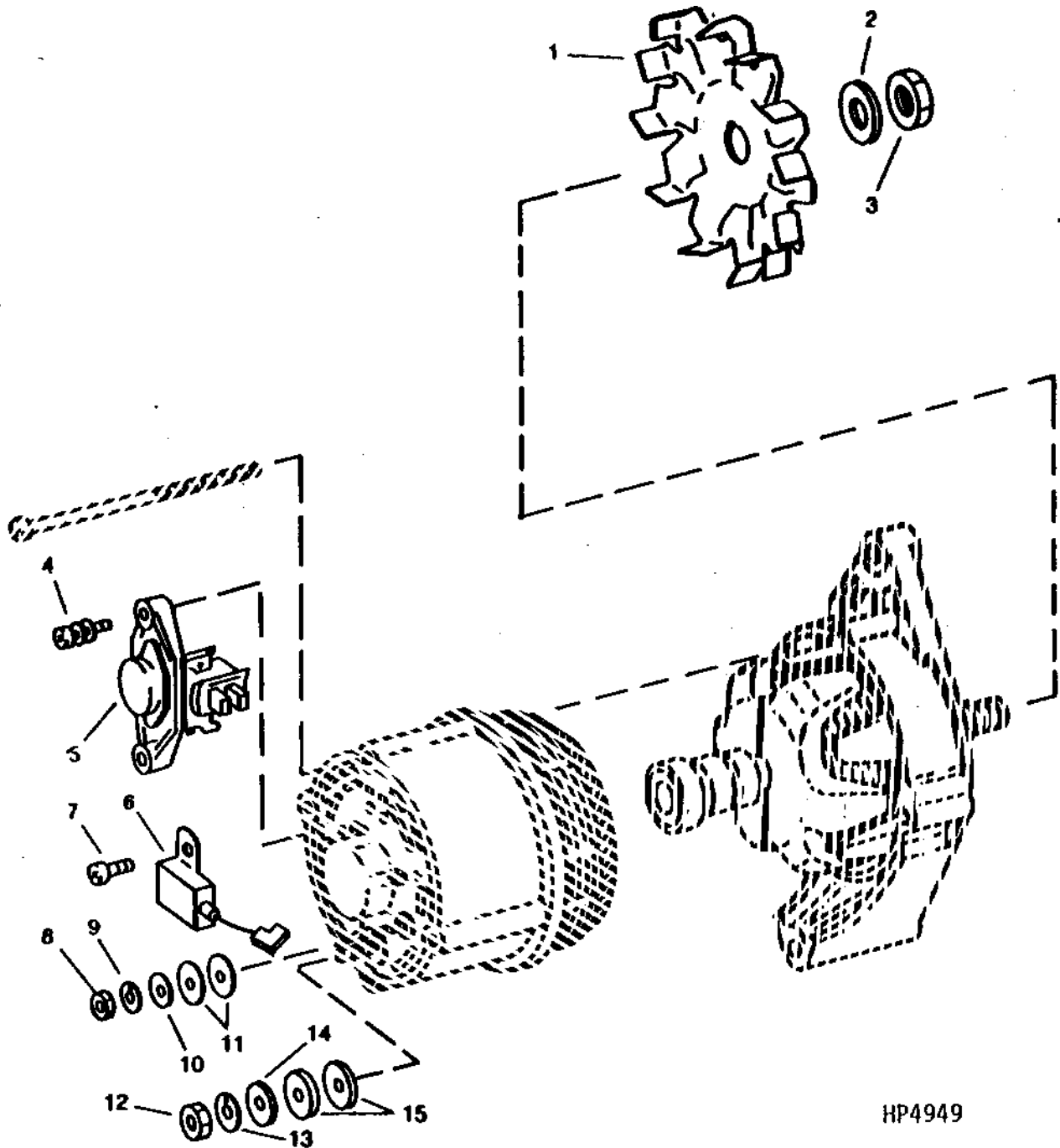
ELECTRICAL

BOSCH ALTERNATOR AND VOLTAGE REGULATOR (95 AMP)

BOSCH

(637628-
HP4949

)
-UN-01JAN94



HP4949

3F6

ELECTRICAL

BOSCH ALTERNATOR AND VOLTAGE REGULATOR (95 AMP) - CONT.

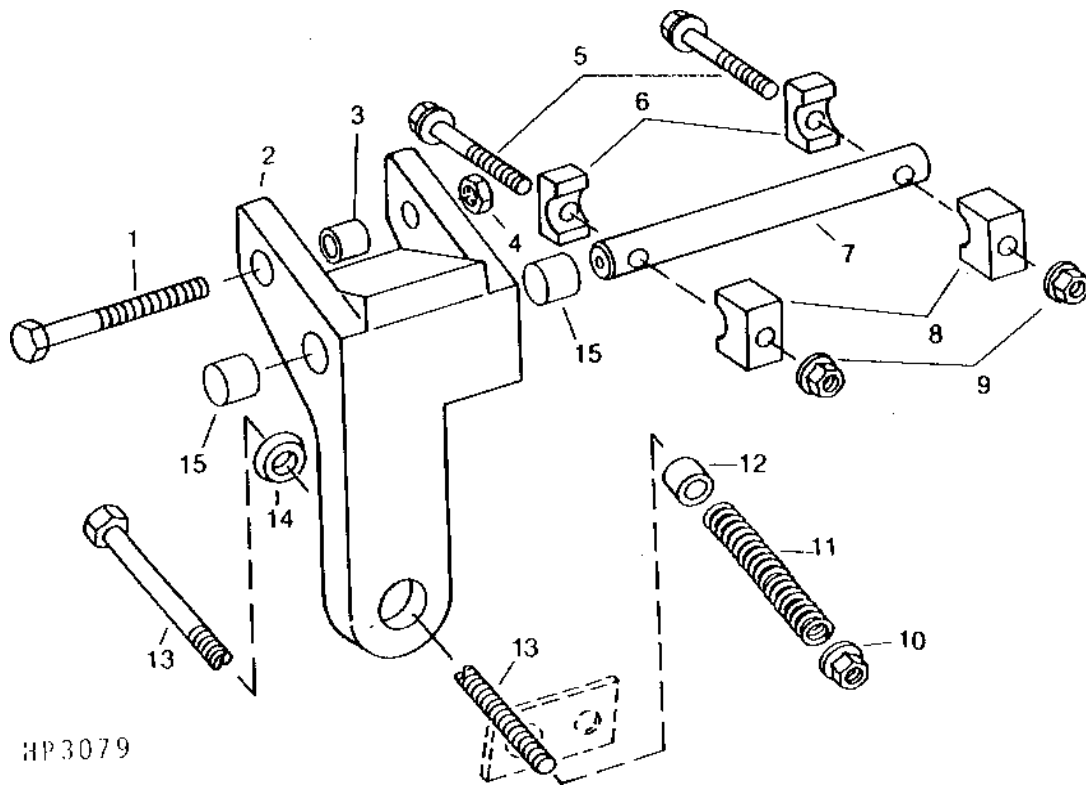
BOSCH
(637628-)

KEY	PART NO.	PART NAME	QTY	SERIAL NO.	S H 9 5 0 0 0 0	REMARKS
1	L33993	FAN	1		X X	
2	T10745	WASHER	1		X X	17.145 X 25.781 X 1.981 MM
3	14M7158	NUT	1		X X	M16
4	21M7252	SCREW	2		X X	M4 X 16
	12M7084	LOCK WASHER	2	-660794	X X	4.300 MM
	12M7060	WASHER	2	660795-	X X	5.300 MM (0.209")
5	H144094	VOLTAGE REGULATOR	1		X X	
6	H144095	CAPACITOR	1		X X	
7	21M6071	SCREW	1		X X	M5 X 10
	12M7112	LOCK WASHER	1	-660794	X X	5.300 MM, (SUB 12M7060)
	12M7060	WASHER	1		X X	5.300 MM (0.209")
8	14M7297	NUT	1		X X	M5
9	12M7112	LOCK WASHER	1	-660794	X X	5.300 MM, (SUB 12M7060)
	12M7060	WASHER	1		X X	5.300 MM (0.209")
10	WASHER	1		X X	(ORDER TY24485)
11	WASHER	2		X X	(ORDER TY24485)
12	14M7273	NUT	1		X X	M8
13	12M7122	LOCK WASHER	1	-660794	X X	8.400 MM, (SUB 12M7032)
	12M7032	LOCK WASHER	1		X X	8.400 MM (0.331")
14	R15036	WASHER	1		X X	5.156 X 19.050 X 1.524 MM
15	WASHER	2		X X	(ORDER TY24485)
..	TY24485	ALTERNATOR	1		X X	(SUB FOR TY6750) REMANUFACTURED

3F7

ELECTRICAL

ALTERNATOR MOUNTING
HP3079 -UN-01JAN94



HP3079

3F8

ELECTRICAL

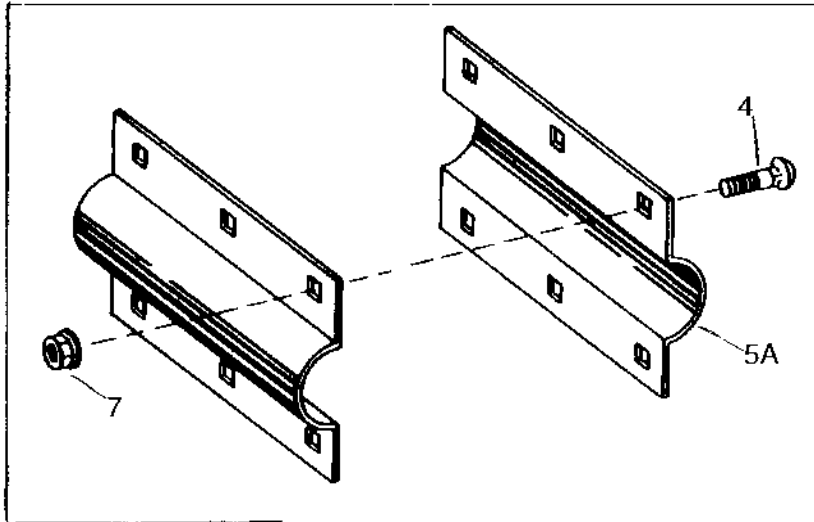
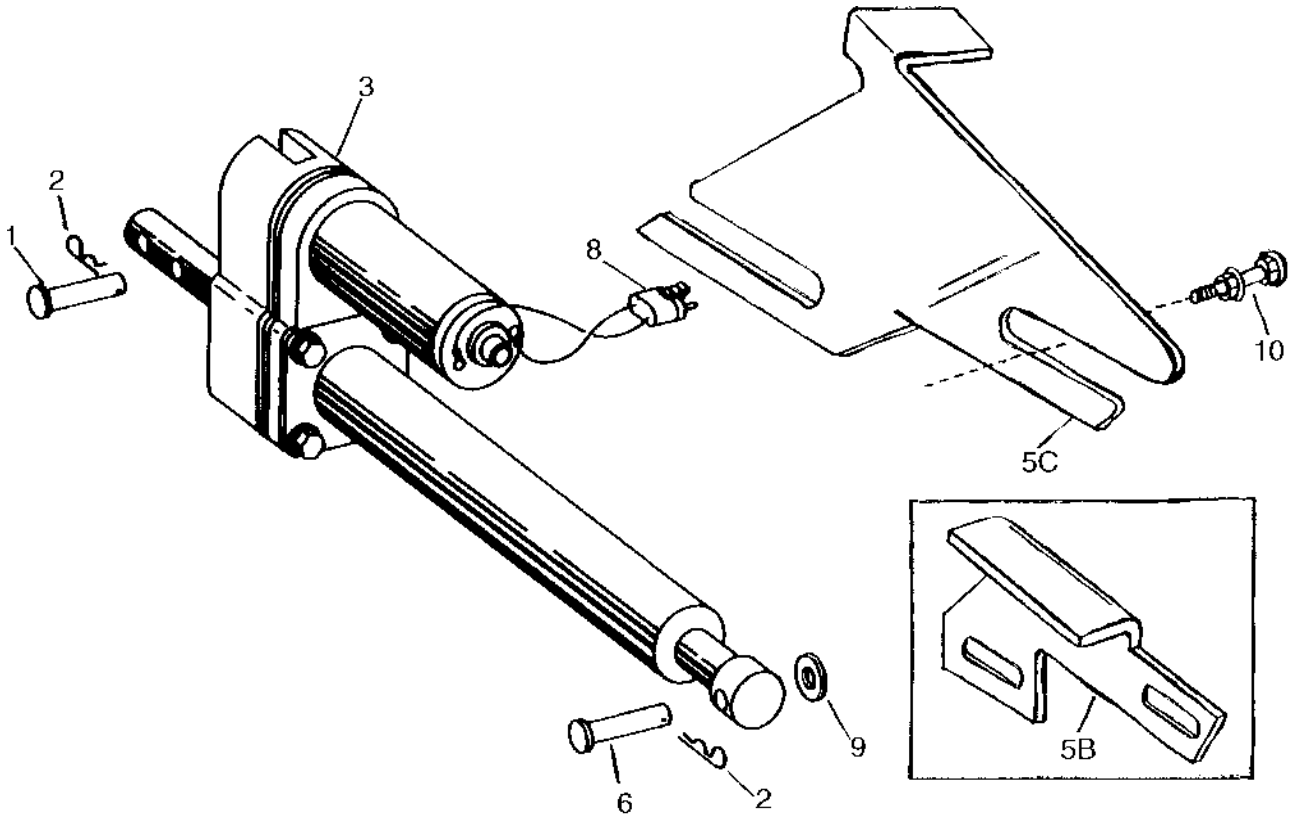
ALTERNATOR MOUNTING - CONTINUED

KEY	PART NO.	PART NAME	QTY	SERIAL NO.	S H 9 5 0 0	REMARKS
1	19H1912	CAP SCREW	1	-643457	X	3/8" X 3-1/2"
	19M8183	CAP SCREW	1	643458-	X X	M10 X 90
2	H123765	ARM	1	-640200	X	(SUB H141409)
	H141409	ARM	1		X X	
3	H123785	SPACER	1		X X	
4	14H732	NUT	1		X X	3/8"
5	19M7800	SCREW	2		X X	M8 X 50
6	H123788	CLAMP	2		X X	
7	H123786	PIN	1		X X	15.875 X 120 MM (5/8" X 4.724")
8	H123787	CLAMP	2		X X	
9	14M7298	FLANGE NUT	AR		X X	M8
10	14M7296	FLANGE NUT	AR		X X	M10
11	H128906	COMPRESSION SPRING	1		X X	
12	H134214	GUIDE	1		X X	
13	H125873	CAP SCREW	1		X X	M10 X 332.800
14	H77337	WASHER	1		X X	10.312 X 22.225 X 6.350 MM (13/32" X 7/8" X 1/4")
15	H91788	BUSHING	2		X X	

3F9

ELECTRICAL

CONCAVE ADJUSTING MOTOR
HP6251 -UN-04JAN96



HP6251

3F10

ELECTRICAL

CONCAVE ADJUSTING MOTOR - CONTINUED

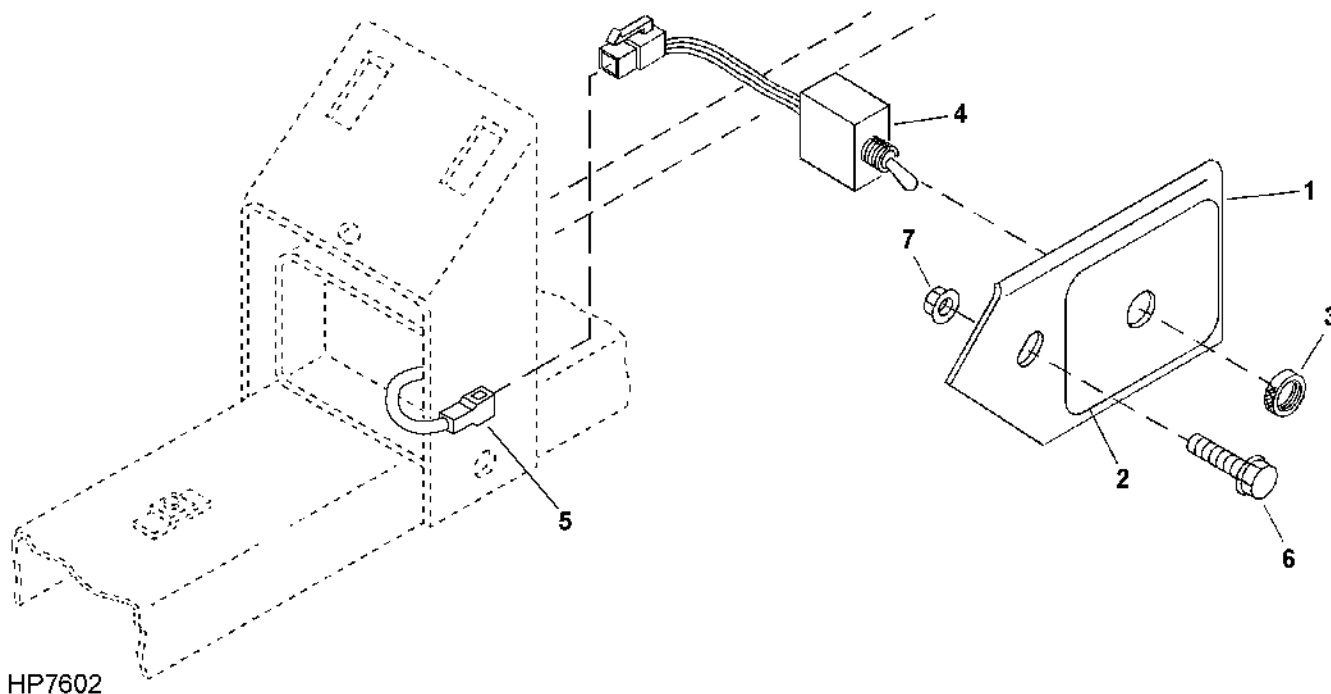
KEY	PART NO.	PART NAME	QTY	SERIAL NO.	S H 9 5 0 0	REMARKS
1	H98765	PIN	1	-647107	X X	12.700 X 60.500 MM (1/2" X 2.382")
	H148340	PIN	1	647108-	X X	12.700 X 60.500 MM (1/2" X 2.382")
2	B32630	SPRING LOCKING PIN	2		X X	
3	AH134728	ACTUATOR	1		X X	
4	03M7192	BOLT	6	-640200	X	M10 X 30
5A	H139338	STOP	2	-640200	X	(SUB H144801)
5B	H144801	STOP	1	640201-642578	X	(SUB H146730) SHEET METAL
5C	H146730	STOP	1		X X	CASTING
6	H98494	PIN	1		X X	12.700 X 69.088 MM (1/2" X 2.720") FOR
	H148340	PIN	1		X X	RASP BAR CONCAVE ONLY 12.700 X 60.500 MM (1/2" X 2.382") (SUB FOR H109146) FOR RASP BAR CONCAVE ONLY
7	14M7296	FLANGE NUT	6	-640200	X X	M10
8	RE12363	CONNECTOR	1		X X	(PKG OF 3)
	R78048	TERMINAL NIPPLE	1		X X	(PKG OF 5)
	R78060	SOCKET CONTACT	1		X X	(PKG OF 40)
9	24H1654	WASHER	2		X X	14.275 X 37.313 X 2.667 MM (9/16" X 1-15/32" X 0.105")
10	19M7812	SCREW	2	640201-	X X	M10 X 100
	14M7296	FLANGE NUT	2	640201-	X X	M10
	24M7178	WASHER	2	29SE97-	X X	10.500 X 30 X 2.500 MM

3F11

ELECTRICAL

SHOE ADJUSTING LIGHT SWITCH

HP7602 -UN-20AUG98



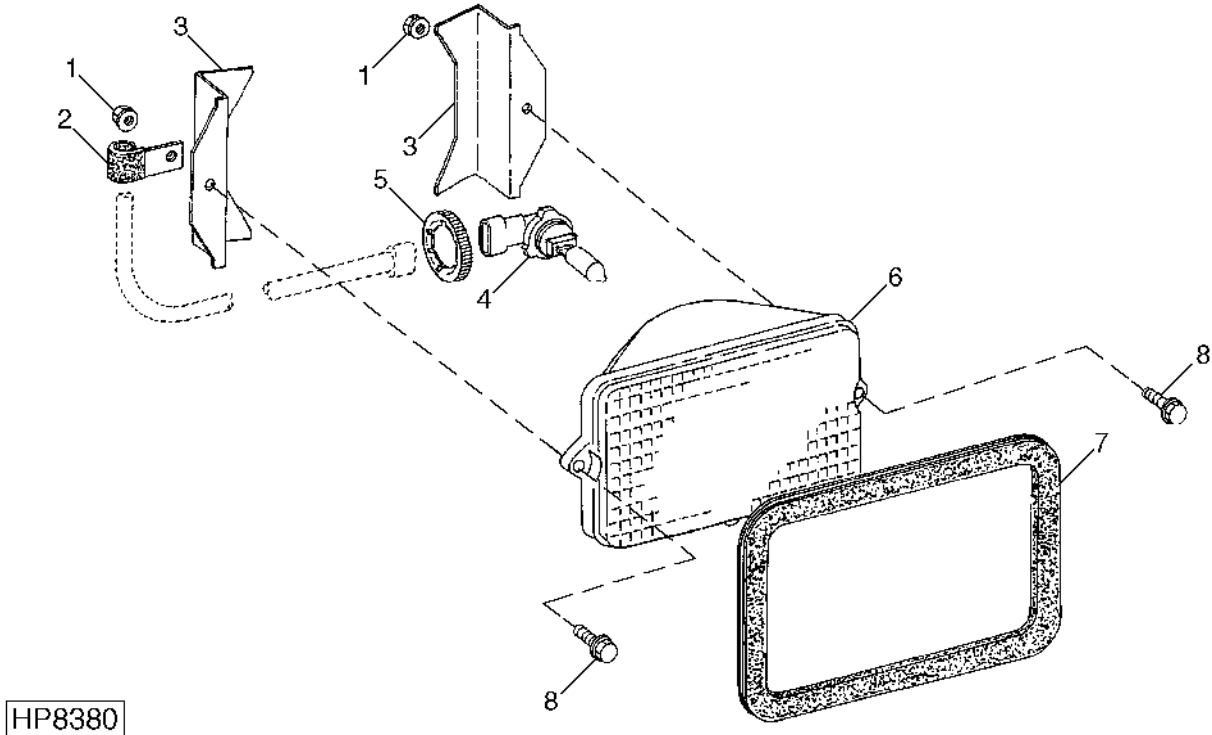
KEY	PART NO.	PART NAME	QTY	SERIAL NO.	S H 9 9 5 5 0 0 0 0	REMARKS
1	H164632	BRACKET	1		X X	
2	H166357	LABEL	1		X X	
3	H140248	NUT	1		X X	0.468"
4	AH158310	TOGGLE SWITCH	1		X X	
5	AH158514	WIRING HARNESS	1		X X	
6	19M7865	SCREW	1		X X	M8 X 16
7	14M7298	FLANGE NUT	1		X X	M8
..	BH81453	COMPLETE GOODS/SHIP. BUNDLE	1		X X	SHOE ADJUSTING LIGHT CONVERSION

3F12

ELECTRICAL

SIDE FINDER LIGHTS (L.H. AND R.H.)

HP8380 -UN-27JUL99



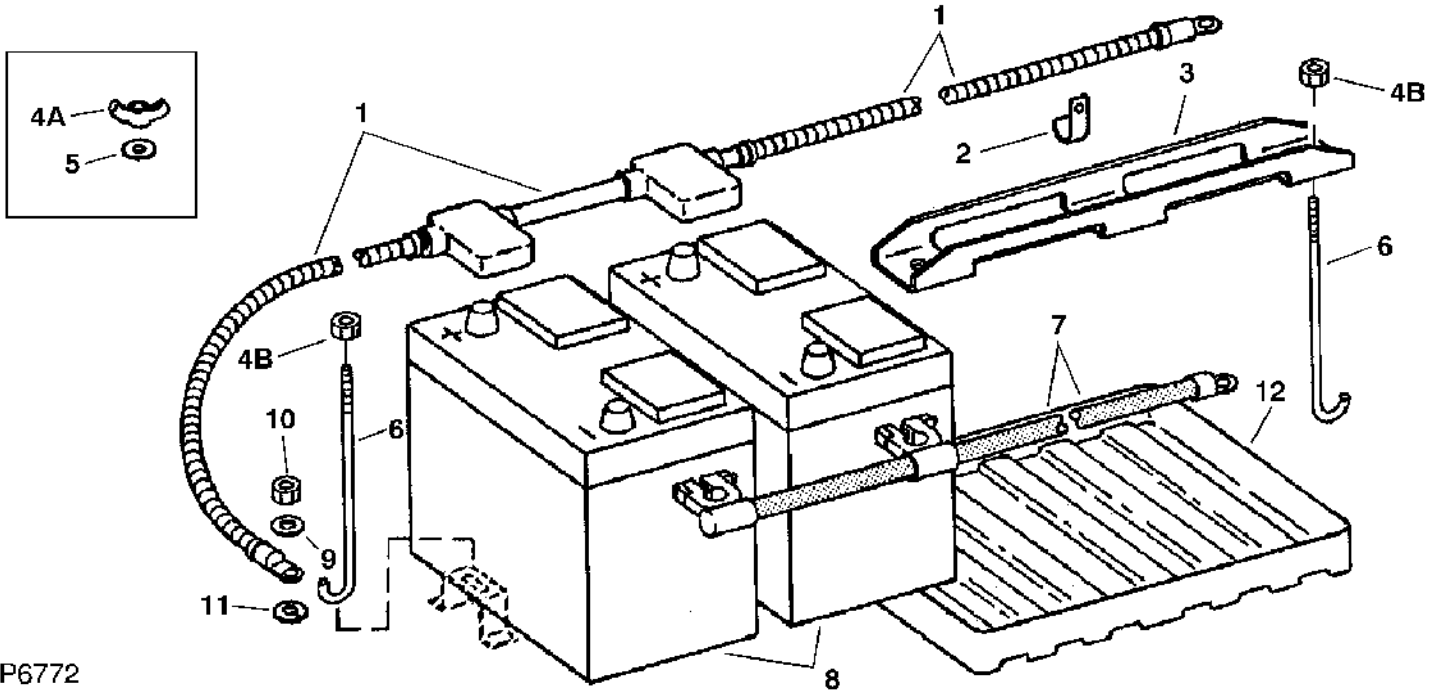
HP8380

KEY	PART NO.	PART NAME	QTY	SERIAL NO.	S H 9 9 5 5 0 0 0 0	REMARKS
1	14M7303	FLANGE NUT	4		X X	M6
2	AH89557	CLIP	2		X X	
3	H132687	RETAINER	4		X X	
4	AH127718	BULB	2		X X	
5	H132900	RETAINER	2		X X	
6	AH128328	FLOODLAMP	2		X X	
7	H132686	GROMMET	2	-24NOV7	X X	
	H165252	GROMMET	2	24NOV7-	X X	
8	19M7774	SCREW	4		X X	M6 X 12
..	H132666	PLATE	2		X X	USED ONLY WITHOUT SIDE FINDER LIGHTS
..	BH78337	COMPLETE GOODS/SHIP. BUNDLE	1		X X	ROW FINDER LIGHTS
..	BH81453	COMPLETE GOODS/SHIP. BUNDLE	1		X X	SHOE ADJUSTING LIGHT CONVERSION

3F13

ELECTRICAL

BATTERIES, CABLES AND HOLDDOWN
HP6772 -UN-18AUG97



HP6772

S
H
9 9
5 5
0 0
0 0

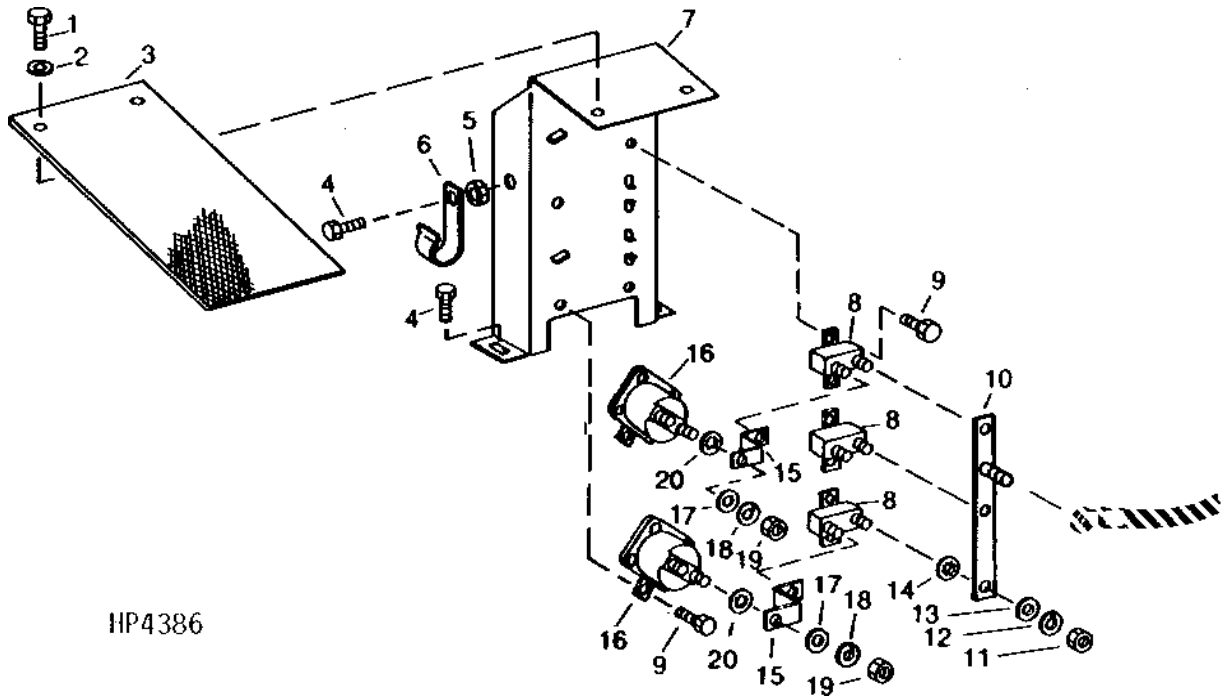
KEY	PART NO.	PART NAME	QTY	SERIAL NO.		REMARKS
1	AH128414	CABLE	1	-637831	X	(SUB AH134250)
	AH134250	CABLE	1	-660200	X X	(SUB AH145256)
	AH145256	CABLE	1		X X	
2	AH89486	CLIP	1	-661744	X X	(SUB AH96317)
	AH96317	CLIP	1		X X	
	H134000	CLAMP	1		X X	
4A	14M7020	WING NUT	2	-27MAY7	X X	M8
4B	14M7396	LOCK NUT	2	27MAY7-	X X	M8
5	24M7055	WASHER	2	-27MAY7	X X	8.400 X 16 X 1.600 MM
6	H133998	HOOK BOLT	2		X X	
	H158292	HOOK BOLT	2		X X	
7	AH128413	CABLE	1		X X	
8	TY21765	BATTERY	2		X X	(SUB FOR TY6167)
9	24M7054	WASHER	1		X X	6.400 X 12 X 1.600 MM
10	14M7303	FLANGE NUT	1		X X	M6
11	12M7081	LOCK WASHER	1		X X	6.400 MM
12	H144256	TRAY	2		X X	

3F14

ELECTRICAL

CIRCUIT BREAKERS - ENGINE COMPARTMENT

(-660200)
HP4386 -UN-01JAN94



HP4386

KEY	PART NO.	PART NAME	QTY	SERIAL NO.	S	H	REMARKS
1	19M7865	SCREW	2	-650869	X	X	M8 X 16
	H116740	PLUG	2	650870-	X	X	
2	24M7207	WASHER	2		X	X	8.400 X 24 X 2 MM
3	H135224	FLAP	1	-650869	X	X	(SUB H149121)
	H149121	FLAP	1		X	X	(SUB H150923)
	H150923	FLAP	1	660201-	X	X	
4	19M7865	SCREW	AR		X	X	M8 X 16
5	14M7298	FLANGE NUT	AR		X	X	M8
6	AH90990	CLIP	1		X	X	
7	AH131071	PANEL	1	-650869	X	X	(SUB (2) H116740, H150922 AND H150923)
	H149120	PANEL	1		X	X	(SUB H150922)
	H150922	PANEL	1	660201-	X	X	(SUB H164348)
	H164348	PANEL	1		X	X	
8	AH112189	CIRCUIT BREAKER	3		X	X	(50 AMP)
9	37H147	SCREW	10		X	X	
10	AH120900	STRAP	1		X	X	(SUB AH145031)
	AH145031	STRAP	1	660201-	X	X	
11	14H631	NUT	AR		X	X	4.826 MM (0.190")
12	12H246	LOCK WASHER	10		X	X	0.190"
13	24M7027	WASHER	10		X	X	5.300 X 10 X 1 MM
14	12M7112	LOCK WASHER	10	-661307	X	X	5.300 MM, (SUB 12M7060)
	12M7060	WASHER	10		X	X	5.300 MM (0.209")
15	H125347	STRAP	2		X	X	
16	AR73144	RELAY	2		X	X	
17	24M7055	WASHER	AR		X	X	8.400 X 16 X 1.600 MM
18	12H303	LOCK WASHER	AR		X	X	5/16", (SUB 12M7065)
19	14H785	NUT	AR		X	X	5/16"
20	12M7122	LOCK WASHER	AR	-661307	X	X	8.400 MM, (SUB 12M7032)
	12M7032	LOCK WASHER	AR		X	X	8.400 MM (0.331")

3F15

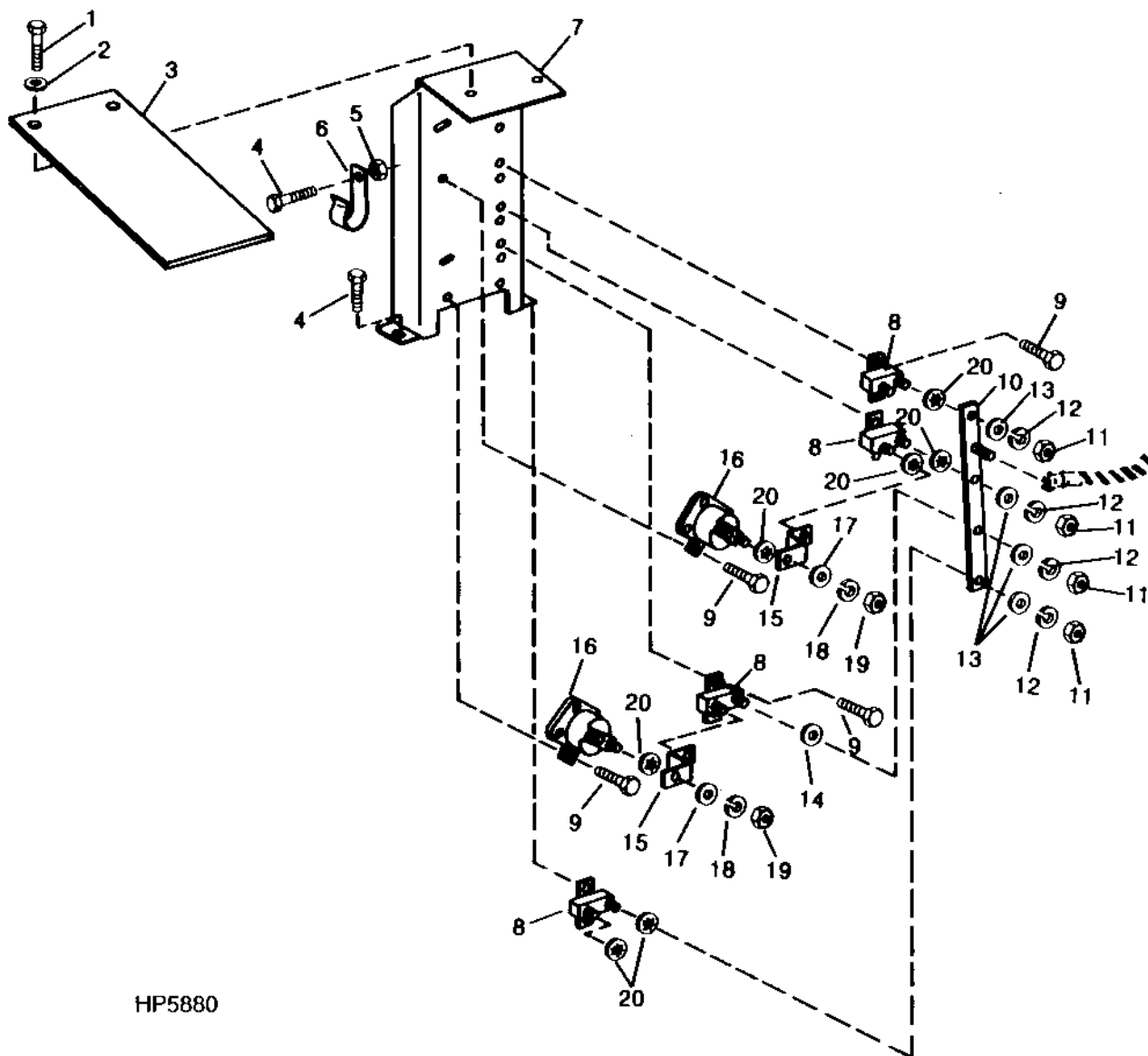
ELECTRICAL

CIRCUIT BREAKERS - ENGINE COMPARTMENT

(660201-8AUG97)

HP5880

-UN-17OCT94



HP5880

3F16

ELECTRICAL

CIRCUIT BREAKERS - ENGINE COMPARTMENT - CONTINUED
(660201-8AUG97)

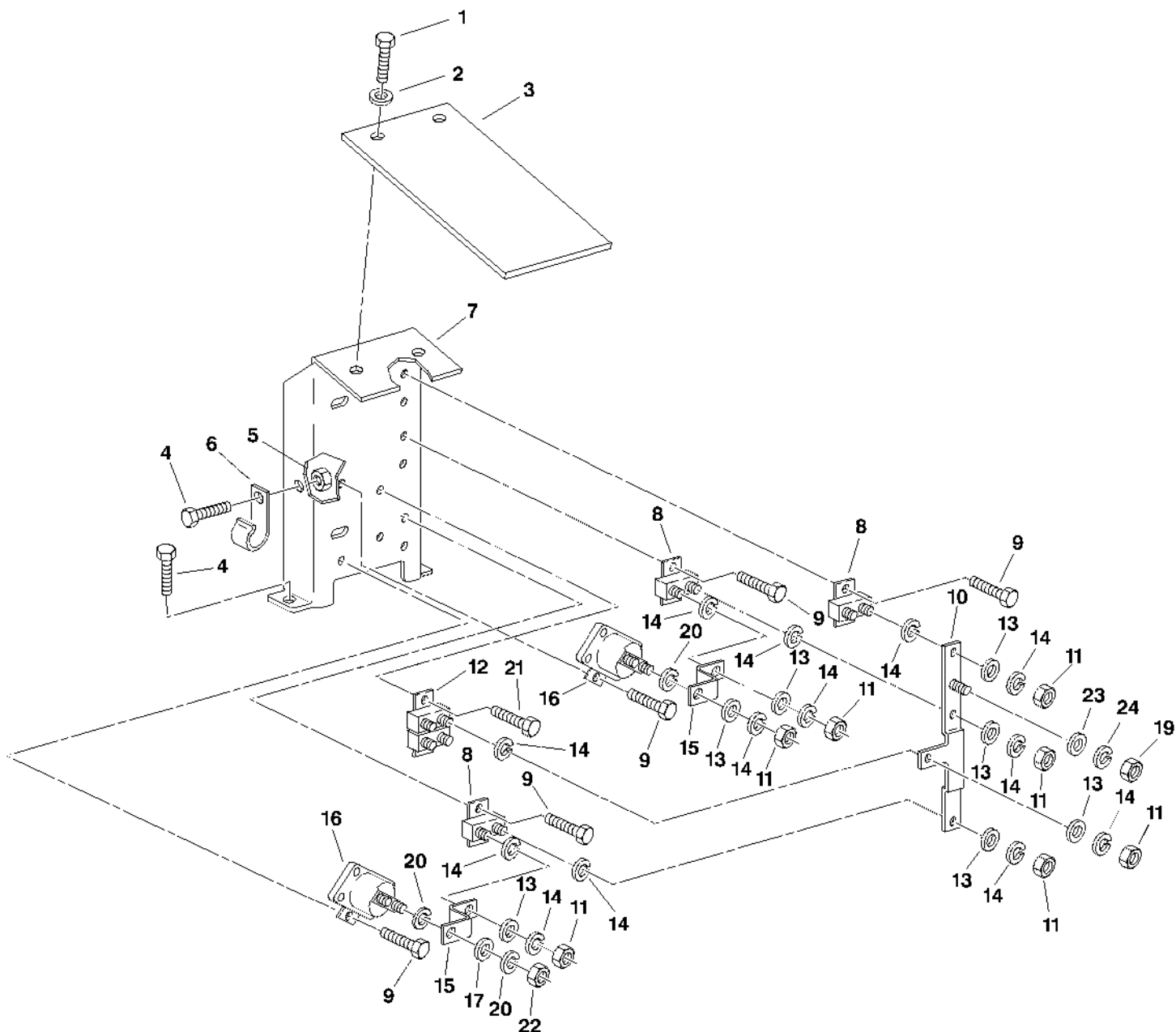
KEY	PART NO.	PART NAME	QTY	SERIAL NO.	S H 9 5 0 0 0 0	REMARKS
1	H116740	PLUG	2		X X	
2	24M7207	WASHER	2		X X	8.400 X 24 X 2 MM (0.331" X 0.945" X 0.079")
3	H150923	FLAP	1		X X	
4	19M7865	SCREW	AR		X X	M8 X 16
5	14M7298	FLANGE NUT	AR		X X	M8
6	AH90990	CLIP	1		X X	
7	H150922	PANEL	1		X X	(SUB H164348)
	H164348	PANEL	1		X X	
8	AH112189	CIRCUIT BREAKER	4		X X	(50 AMP)
9	37H147	SCREW	10		X X	
10	AH145031	STRAP	1	-29SEP7	X X	
11	14H631	NUT	AR		X X	4.826 MM (0.190")
12	12H246	LOCK WASHER	AR		X X	4.826 MM (0.190")
13	24M7027	WASHER	AR		X X	5.300 X 10 X 1 MM (0.209" X 0.394" X 0.039")
14	12M7112	LOCK WASHER	AR	-661307	X X	5.300 MM (0.209") (SUB 12M7060)
	12M7060	WASHER	AR		X X	5.300 MM (0.209")
15	H125347	STRAP	2		X X	
16	AR73144	RELAY	2		X X	
17	24M7055	WASHER	AR		X X	8.400 X 16 X 1.600 MM (0.331" X 0.630" X 0.063")
18	12H303	LOCK WASHER	AR		X X	7.938 MM (5/16") (SUB 12M7065)
19	14H785	NUT	AR		X X	7.925 MM (5/16")
20	12M7122	LOCK WASHER	AR	-661307	X X	8.400 MM (0.331") (SUB 12M7032)
	12M7032	LOCK WASHER	AR		X X	8.400 MM (0.331")

3F17

ELECTRICAL

CIRCUIT BREAKERS - ENGINE COMPARTMENT

(8AUG97-)
HP7383 -UN-21JAN98



HP7383

3F18

ELECTRICAL

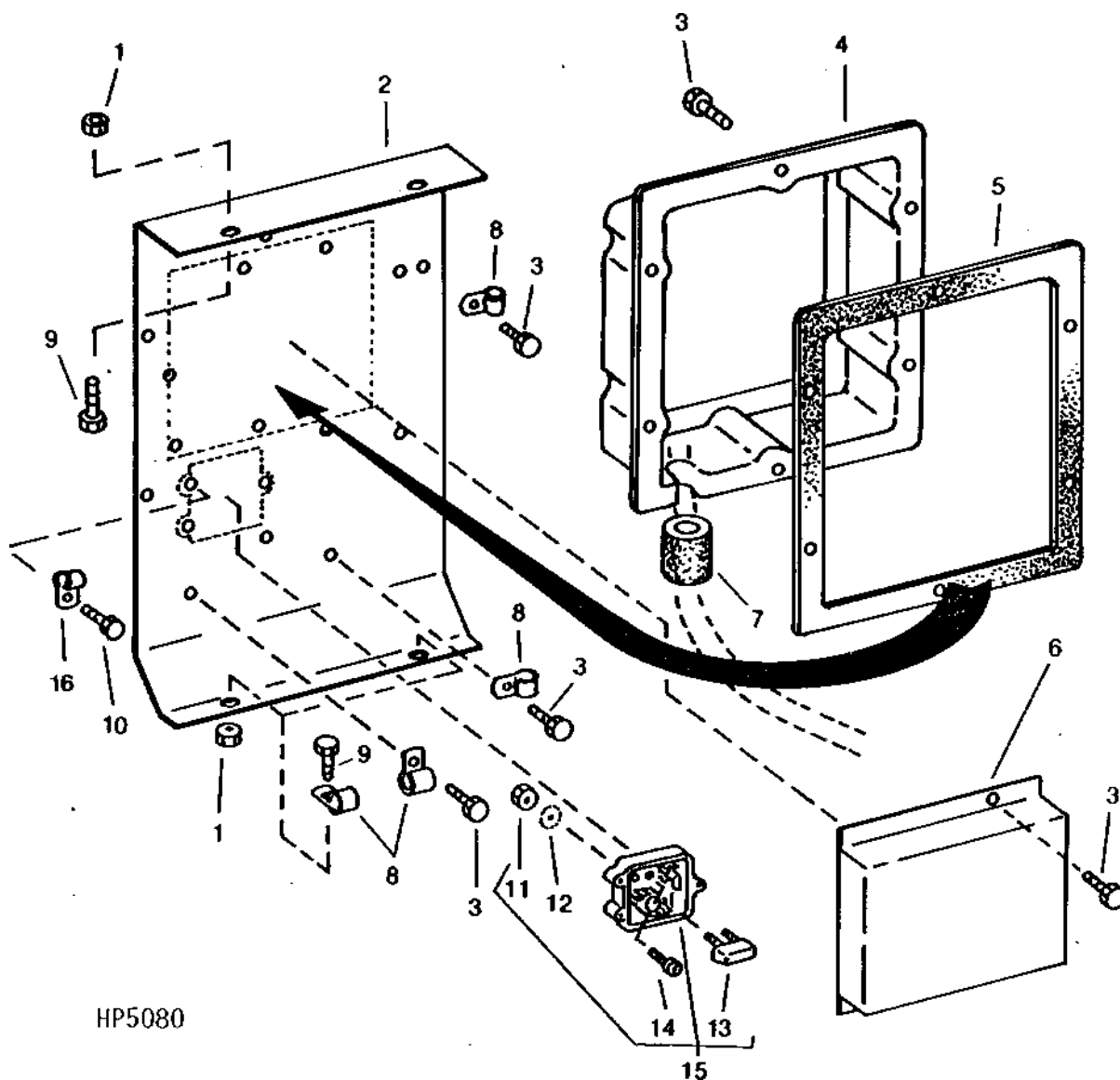
CIRCUIT BREAKERS - ENGINE COMPARTMENT - CONTINUED
(8AUG97-)

KEY	PART NO.	PART NAME	QTY	SERIAL NO.	REMARKS
					S H 9 9 5 5 0 0 0 0
1	H116740	PLUG	2	X X	
2	24M7207	WASHER	2	X X	8.400 X 24 X 2 MM (0.331" X 0.945" X 0.079")
3	H150923	FLAP	1	X X	
4	19M7865	SCREW	1	X X	M8 X 16
5	14M7298	FLANGE NUT	1	X X	M8
6	AH90990	CLIP	1	X X	
7	H164348	PANEL	1	X X	
8	AH112189	CIRCUIT BREAKER	3	X X	(50 AMP)
9	37H147	SCREW	8	X X	
10	AH158604	STRAP	1	X X	
11	R32176	NUT	7	X X	
12	AH159105	CIRCUIT BREAKER	1	X X	100 AMP, DUAL 50A
13	24M7027	WASHER	7	X X	5.300 X 10 X 1 MM (0.209" X 0.394" X 0.039")
14	12M7060	WASHER	12	X X	5.300 MM (0.209") (SUB FOR 12M7112)
15	H125347	STRAP	2	X X	
16	AR73144	RELAY	2	X X	
17	24M7055	WASHER	1	X X	8.400 X 16 X 1.600 MM (0.331" X 0.630" X 0.063")
18	12M7081	LOCK WASHER	1	X X	6.400 MM (0.252") M6.4
19	14H860	NUT	1	X X	6.350 MM (1/4") M6
20	12M7032	LOCK WASHER	1	X X	8.400 MM (0.331")
21	37H129	SCREW	1	X X	10 X 5/8
22	14H785	NUT	1	X X	5/16
23	24M7054	WASHER	1	X X	6.400 X 12 X 1.600 MM, M6.4 X 12.5 X 1.6
24	12H302	LOCK WASHER	1	X X	

3F19

ELECTRICAL

ELECTRONIC CONTROL UNIT (ECU) AND MOUNTING SUPPORT
HP5080 -UN-01JAN94



HP5080

3F20

ELECTRICAL

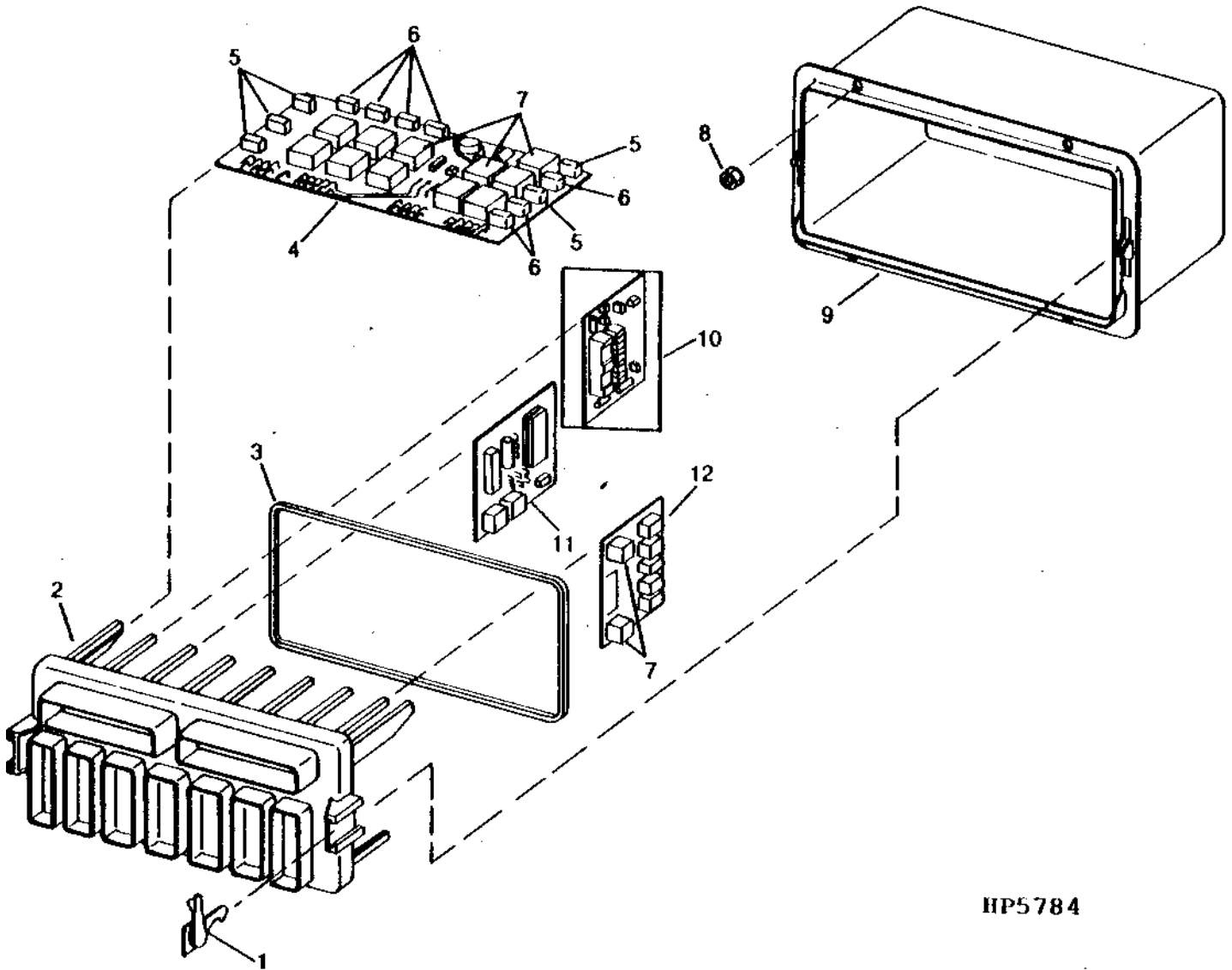
ELECTRONIC CONTROL UNIT (ECU) AND MOUNTING SUPPORT - CONTINUED

KEY	PART NO.	PART NAME	QTY	SERIAL NO.	S H 9 5 0 0	REMARKS
1	14M7298	FLANGE NUT	4		X X	M8
2	AH130497	PLATE	1	-671410	X X	
	AH153815	PLATE	1		X X	
3	19M7862	SCREW	9		X X	M6 X 20
	19M7862	SCREW	4	-660200	X X	M6 X 20, (USE WITH RE43388) (NIPPONDENSO)
	19M7862	SCREW	3		X X	M6 X 20, (USE WITH RE38235) (BOSCH)
	19M7774	SCREW	3	660201-671410	X X	M6 X 12
	19M7721	CAP SCREW	3	671411-	X X	M6 X 65
4	H134474	COVER	1	-671410	X X	
5	H134475	SEAL	1	-671410	X X	
6	ENGINE CONTROLLER	1		X X	FOR PARTS, SEE SECTION 25/26 FUEL INJECTION PUMP
7	H134476	ISOLATOR	1	-671410	X X	
8	AH89486	CLIP	4	-661744	X X	(SUB AH96317)
	AH96317	CLIP	4		X X	
9	19M7865	SCREW	4		X X	M8 X 16
10	19M8290	SCREW	3	-671410	X X	M6 X 35
11	14H631	NUT	2		X X	0.190"
12	12H295	LOCK WASHER	2		X X	0.190"
13	AR56671	CIRCUIT BREAKER	1		X X	(20 AMP)
14	SCREW	2		X X	(ORDER AH108414)
15	AH108414	PRINTED CIRCUIT	1	-671410	X X	
16	AH90990	CLIP	1	645201-670697	X X	
..	H116160	SEALANT	1		X X	3 OZ. TUBE

3F21

ELECTRICAL

CENTRAL ELECTRONICS MODULE AND CIRCUIT BOARDS
HP5784 -UN-01JAN94



HP5784

3F22

ELECTRICAL

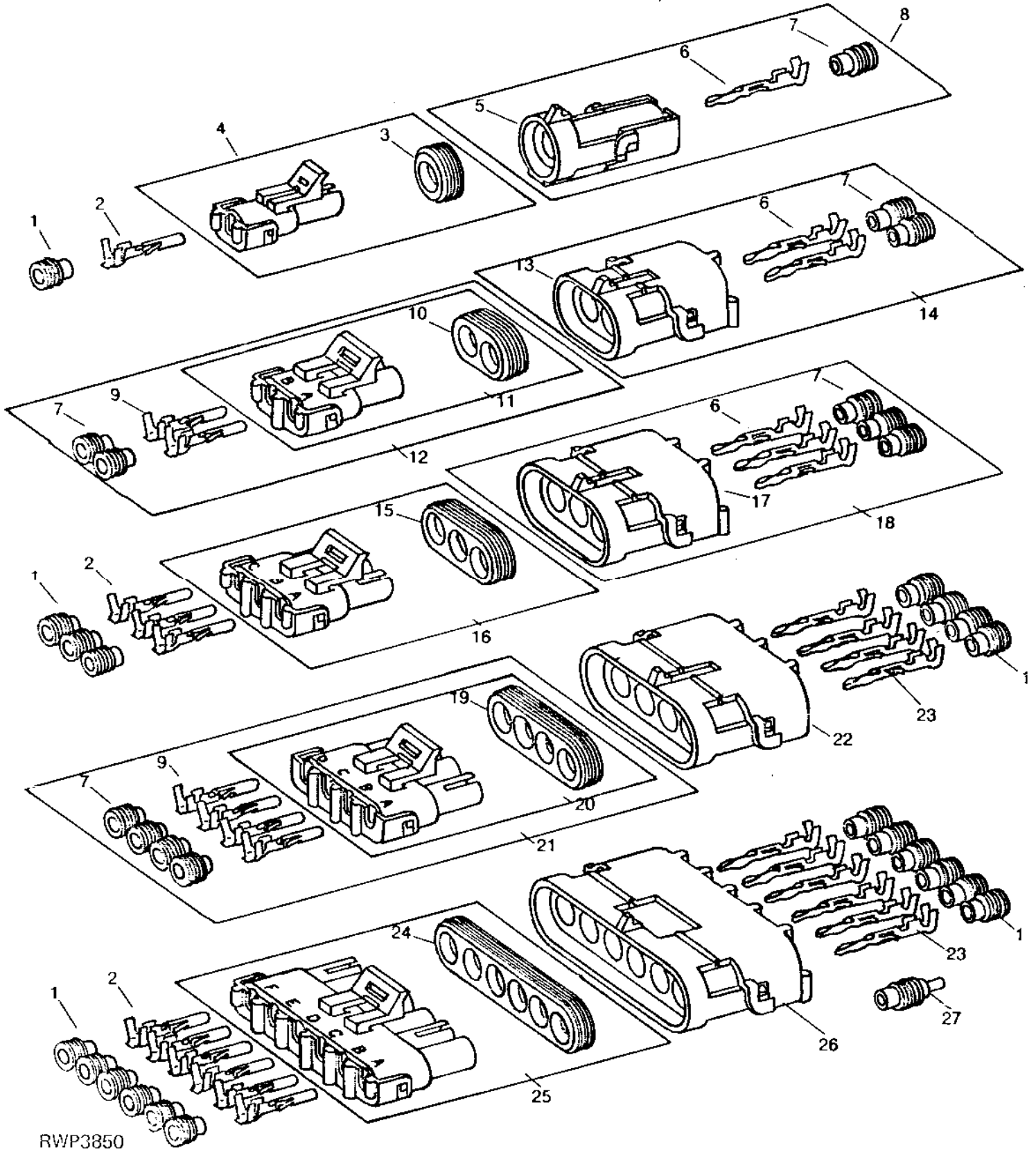
CENTRAL ELECTRONICS MODULE AND CIRCUIT BOARDS - CONTINUED

KEY	PART NO.	PART NAME	QTY	SERIAL NO.	S H 9 5 0 0	REMARKS
1	AH115943	LATCH	2		X X	
2	H124206	COVER	1		X X	
3	H144242	SEAL	1		X X	(SUB FOR H133728)
4	AH145699	CIRCUIT BOARD	1		X X	(SUB FOR AH134447, AH132208, AH140078 OR AH143711) POWER; ADAPTER HARNESS AH144381 PLUS TWO ADAPTER AH106612 RELAYS MUST BE ORDERED WITH AH143711 POWER CIRCUIT BOARD WHEN INSTALLED ON COMBINES WITH SERIAL NUMBERS UNDER 655200 IN COMBINATION WITH EXISTING L.H. MAIN WIRING HARNESS AND FAN SPEED ADJUST MOTOR. ADAPTER HARNESS AH144382 MUST BE ORDERED WITH AH143711 POWER CIRCUIT BOARD AND AH143903 FAN SPEED ADJUST MOTOR WHEN INSTALLED ON COMBINES WITH SERIAL NUMBERS UNDER 655200 IN COMBINATION WITH EXISTING L.H. MAIN HARNESS.
	AH136356	SCREW AND WASHER KIT	1		X X	
5	AH122139	CIRCUIT BREAKER	5		X X	(30 AMP)
6	AH127677	CIRCUIT BREAKER	7		X X	(20 AMP)
7	AH106612	RELAY	13		X X	
8	14M7303	FLANGE NUT	4		X X	M6
9	H124205	BOX	1		X X	
10	AH137238	CIRCUIT BOARD	1		X X	SHAFT SPEED (SEE OVERHEAD CONSOLE PANEL) (SUB FOR AH125485)
11	AH145964	CIRCUIT BOARD	1		X X	(SUB FOR AH128397, AH142442 OR AH144433) REEL SPEED
12	AH145701	CIRCUIT BOARD	1		X X	(SUB FOR AH130102, AH136498, AH143745) (W/O CONTOUR MASTER) DIAL-A-MATIC (W/CONTOUR MASTER)
	AH137147	CIRCUIT BOARD	1	660201-	X	
..	BH79902	COMPLETE GOODS/SHIP. BUNDLE	1		X X	HEADER TRANSPORT WARNING LIGHTS
..	BH79970	COMPLETE GOODS/SHIP. BUNDLE	1		X X	HEADER TRANSPORT WARNING LIGHTS
..	BH79485	COMPLETE GOODS/SHIP. BUNDLE	1		X X	DIAL-A-SPEED CONTROL

3F23

ELECTRICAL

WEATHERPACK TERMINALS AND CONNECTORS
RWP3850 -UN-01JAN94



3F24

ELECTRICAL

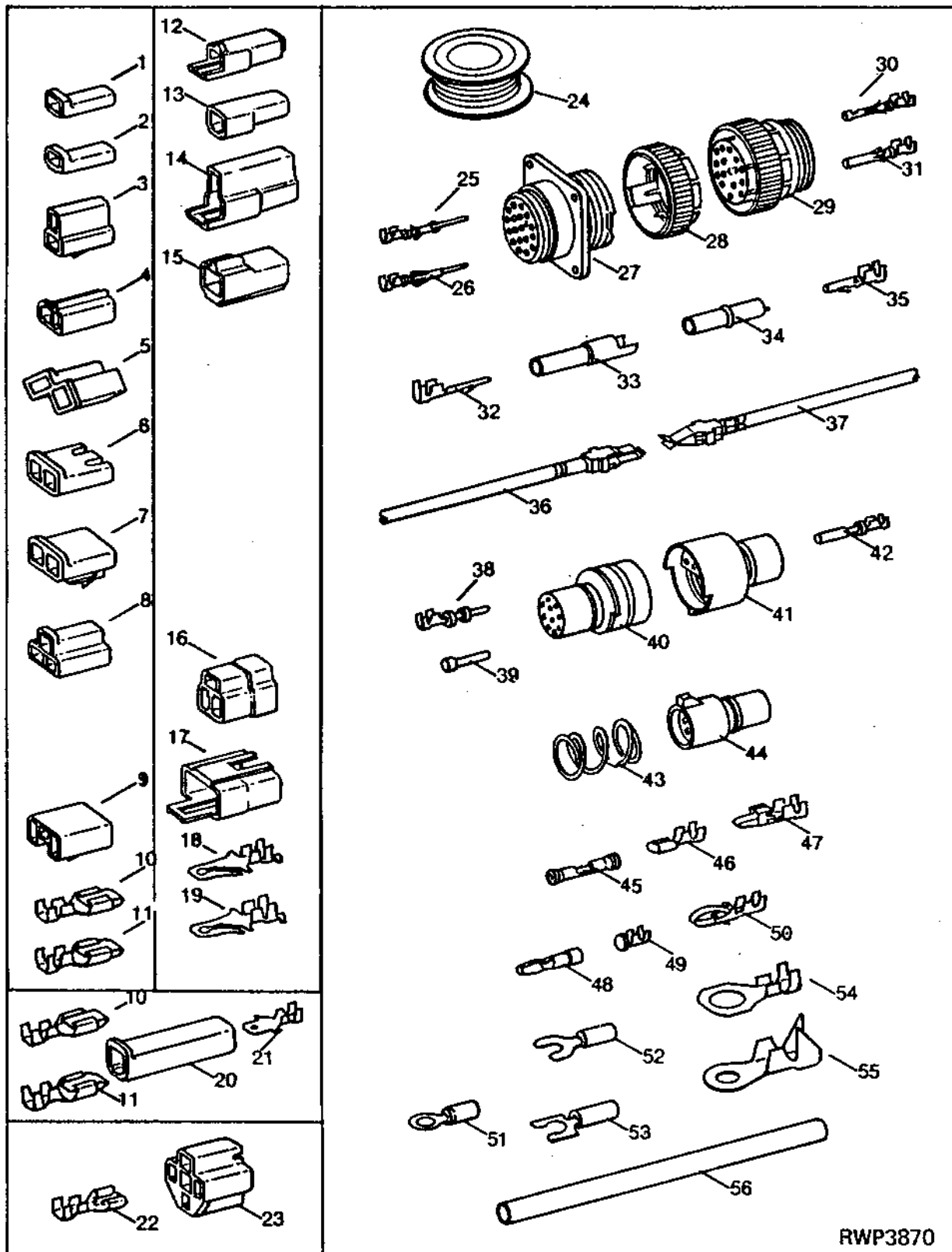
WEATHERPACK TERMINALS AND CONNECTORS - CONTINUED

KEY	PART NO.	PART NAME	QTY	SERIAL NO.	S H 9 5 0 0	REMARKS
1	R78063	TERMINAL NIPPLE	1	X X		(PKG. OF 40) (16 GA. WIRE) (GRAY)
	R78059	ELECTRICAL PLUG	1	X X		(PKG. OF 40) (18 OR 20 GA. WIRE) (GREEN)
	R78062	TERMINAL NIPPLE	1	X X		(PKG. OF 40) (14 GA. WIRE) (BLUE)
2	R78057	SOCKET CONTACT	1	X X		(PKG. OF 40) (18 OR 20 GA. WIRE) (NO. 19)
	R78060	SOCKET CONTACT	1	X X		(PKG. OF 40) (14 OR 16 GA. WIRE) (NO. 15)
3	R78047	SEAL	1	X X		(PKG. OF 5)
4	RE12362	CONNECTOR	1	X X		(PKG. OF 3)
5	R78052	PIN CONTACT CONNECTOR BODY	1	X X		(PKG. OF 3)
6	R78061	PIN CONTACT	1	X X		(PKG. OF 40) (14 OR 16 GA. WIRE) (NO. 15)
7	R78063	TERMINAL NIPPLE	1	X X		(PKG. OF 40) (16 GA. WIRE) (GRAY)
8	RE12334	CONNECTOR	1	X X		
9	R78060	SOCKET CONTACT	1	X X		(PKG. OF 40) (14 OR 16 GA. WIRE) (NO. 15)
10	R78048	TERMINAL NIPPLE	1	X X		(PKG. OF 5)
11	RE12363	CONNECTOR	1	X X		(PKG. OF 3)
12	RE12331	CONNECTOR	1	X X		
13	R78053	PIN CONTACT CONNECTOR BODY	1	X X		(PKG. OF 3)
14	RE12330	CONNECTOR	1	X X		
15	R78049	SEAL	1	X X		(PKG. OF 5)
16	RE12364	SOCKET CONT.CONNECTOR BODY	1	X X		(PKG. OF 3)
17	R78054	PIN CONTACT CONNECTOR BODY	1	X X		(PKG. OF 3)
18	RE12332	CONNECTOR	1	X X		
19	R78050	SEAL	1	X X		(PKG. OF 5)
20	RE12365	CONNECTOR	1	X X		(PKG. OF 2)
21	RE12333	CONNECTOR	1	X X		
22	R78055	PIN CONTACT CONNECTOR BODY	1	X X		(PKG. OF 2)
23	R78061	PIN CONTACT	1	X X		(PKG. OF 40) (14 OR 16 GA. WIRE) (NO. 15)
	R78058	PIN CONTACT	1	X X		(PKG. OF 40) (18 OR 20 GA. WIRE) (NO. 19)
24	R78051	SEAL	1	X X		(PKG. OF 5)
25	RE12366	CONNECTOR	1	X X		(PKG. OF 2)
26	R78056	PIN CONTACT CONNECTOR BODY	1	X X		(PKG. OF 2)
27	R78064	ELECTRICAL PLUG	1	X X		(PKG. OF 40)

3G1

ELECTRICAL

ELECTRICAL CONNECTOR SERVICE KIT
RWP3870 -UN-01JAN94



ELECTRICAL CONNECTOR SERVICE KIT - CONTINUED

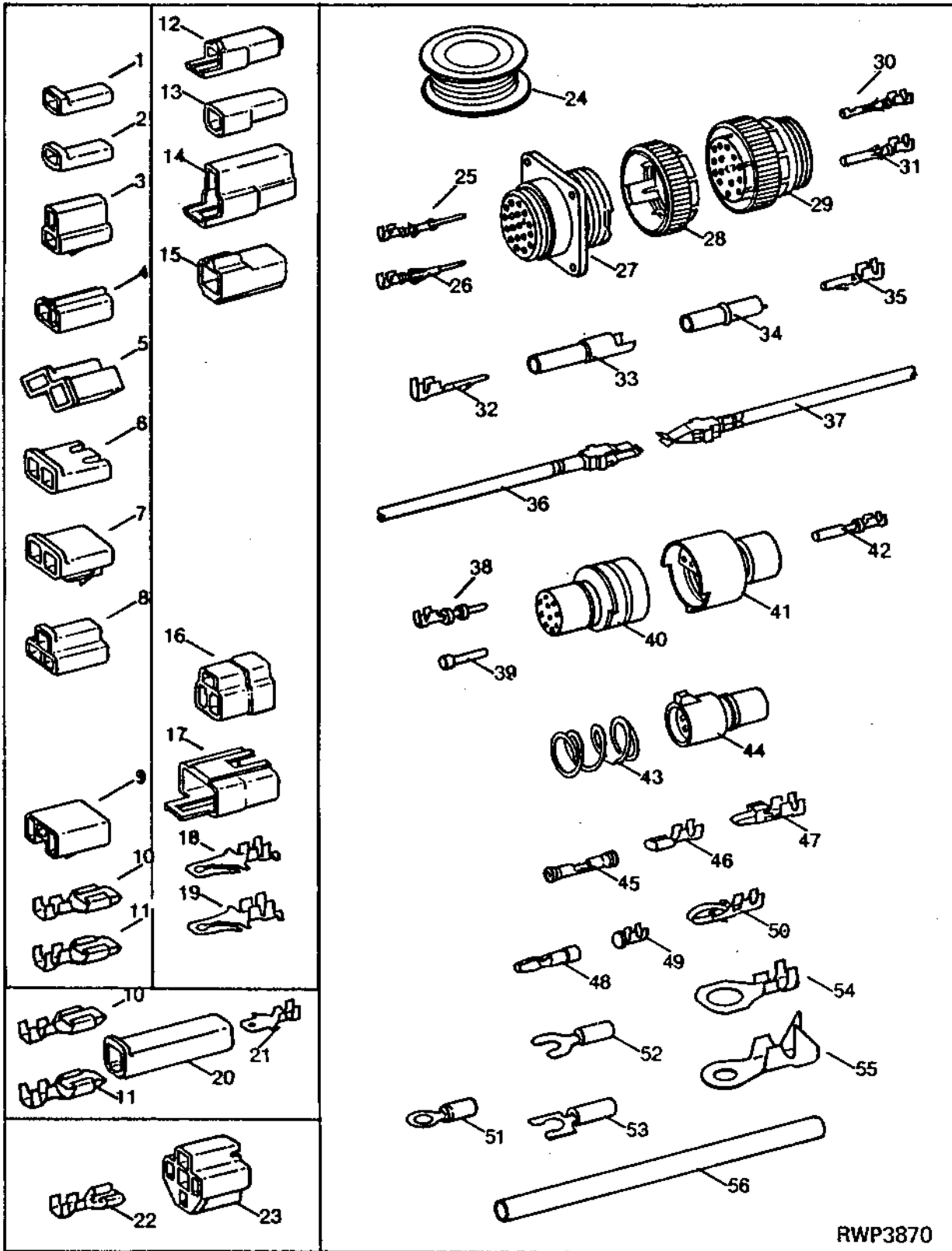
KEY	PART NO.	PART NAME	QTY	SERIAL NO.	S H 9 9 5 5 0 0 0 0	REMARKS
1	T28583	RECEPTACLE CONNECTOR BODY	1		X X	(B)
2	M43835	FLAT CONNECTOR	1		X X	(B)
3	R77476	CONNECTOR	1		X X	(A)
4	R77477	RECEPTACLE CONNECTOR BODY	1		X X	(A)
5	R77479	CONNECTOR	1		X X	(A)
6	R77480	RECEPTACLE CONNECTOR BODY	1		X X	(A)
7	R77481	CONNECTOR	1		X X	(A)
8	R77482	CONNECTOR	1		X X	
9	H104855	RECEPTACLE CONNECTOR BODY	1		X X	
10	U46662	TERMINAL	1		X X	(E) (F)
11	N115096	TERMINAL	1		X X	(D) (G) (PKG. OF 15)
12	T28585	TAB CONNECTOR BODY	1		X X	(B)
13	R77475	CONNECTOR	1		X X	(B)
14	T28586	CONNECTOR	1		X X	(A)
15	R77478	CONNECTOR	1		X X	(A)
16	R77483	CONNECTOR	1		X X	
17	R48887	TAB CONNECTOR BODY	1		X X	
18	T34067	TERMINAL	1		X X	(E) (F)
19	R77484	TERMINAL	1		X X	(D) (G) (PKG. OF 15)
20	U46370	CONNECTOR	1		X X	(B)
21	R77485	TAB	1		X X	(C) (F)
22	R77486	TERMINAL	1		X X	(E)
23	R77487	CONNECTOR	1		X X	(B)
24	R66321	WIRING LEAD	1		X X	15M (50 FT.) 10 GA.
	R66320	WIRING LEAD	1		X X	30.5M (100 FT.) 12 GA.
	R77501	WIRE	1		X X	30.5M (100 FT.) 14 GA.
	R77500	WIRE	1		X X	30.5M (100 FT.) 16 GA.
	TY16086	WIRE	1		X X	30.5M (100 FT.) 18 GA. (SUB FOR R77499)
	R77498	WIRE	1		X X	30.5M (100 FT.) 20 GA.
25	R77462	PIN CONTACT	1		X X	(PKG. OF 40) 20-22 OR 24 GA. WIRE
26	R77464	PIN CONTACT	1		X X	(H) (PKG. OF 50)
27	R77456	RECEPTACLE	1		X X	(37 WAY)
28	R77458	CONNECTOR	1		X X	(A) SIZE 23
	R77459	CONNECTOR	1		X X	(A) SIZE 17
	R77460	CONNECTOR	1		X X	(A) SIZE 13
	R77461	CONNECTOR	1		X X	(A) SIZE 11
29	R77457	ELECTRICAL PLUG	1		X X	37 WAY
30	R77463	SOCKET CONTACT	1		X X	(PKG. OF 40) 20-22 OR 24 GA. WIRE
31	R77465	SOCKET CONTACT	1		X X	(H) (PKG. OF 50)
32	R77468	TERMINAL	1		X X	(PKG. OF 5) 18 GA.
33	R77466	CONNECTOR	1		X X	(A)
34	R77467	CONNECTOR	1		X X	(A)

- (A) PKG. OF 2
- (B) PKG. OF 3
- (C) PKG. OF 10
- (D) PKG. OF 15
- (E) PKG. OF 25
- (F) 14 OR 16 GA. WIRE
- (G) 10 OR 12 GA. WIRE
- (H) 14-16 OR 18 GA. WIRE

3G3

ELECTRICAL

ELECTRICAL CONNECTOR SERVICE KIT
RWP3870 -UN-01JAN94



ELECTRICAL CONNECTOR SERVICE KIT - CONTINUED

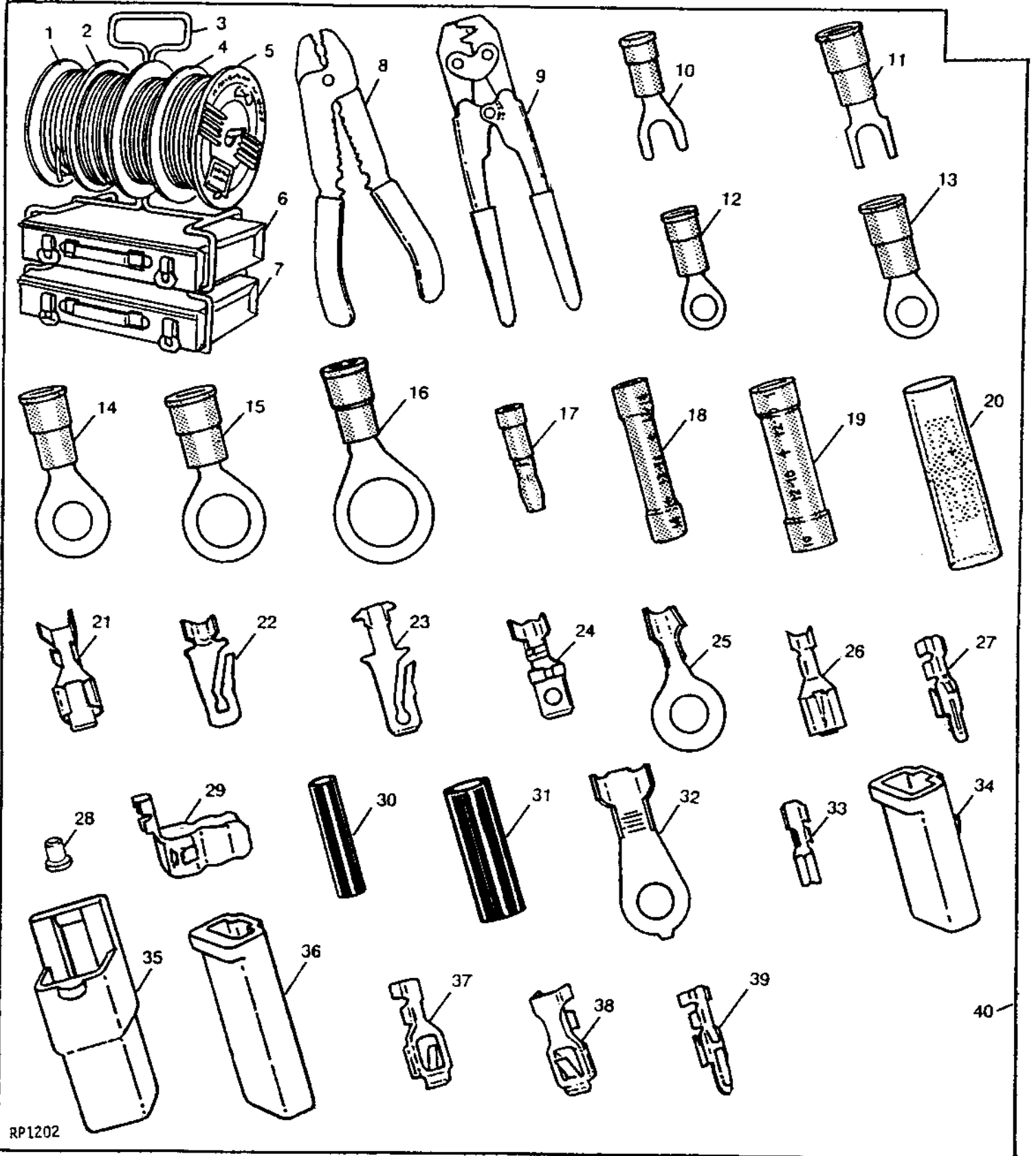
KEY	PART NO.	PART NAME	QTY	SERIAL NO.	S H 9 5 0 0 0 0	REMARKS
35	R77469	TERMINAL	1		X X	(PKG. OF 5) 18 GA.
36	RE11156	TERMINAL	1		X X	(B) MALE
37	RE11157	TERMINAL	1		X X	(B) FEMALE
38	R70222	PIN CONTACT	1		X X	(D) (H)
39	R70221	ELECTRICAL PLUG	1		X X	(E)
40	R70219	PLUG	1		X X	(PKG. OF (2) R70218 AND (2) R70219) 10 WAY
	R70217	PLUG	1		X X	(PKG. OF (2) R70216 AND (2) R70217) 7 WAY
	R70215	PLUG	1		X X	(PKG. OF (2) R70214 AND (2) R70215) 4 WAY
	R70213	PIN CONTACT CONNECTOR BODY	1		X X	(PKG. OF (2) R70212 AND (2) R70213) 3 WAY
	R70211	CONNECTOR	1		X X	(PKG. OF (2) R70210 AND (2) R70211) 2 WAY
41	R70218	RECEPTACLE	1		X X	ORDER R70219 WHICH CONTAINS (2) R70218 AND (2) R70219
	R70216	RECEPTACLE	1		X X	ORDER R70217 WHICH CONTAINS (2) R70216 AND (2) R70217
	R70214	RECEPTACLE	1		X X	ORDER R70215 WHICH CONTAINS (2) R70214 AND (2) R70215
	R70212	RECEPTACLE	1		X X	ORDER R70213 WHICH CONTAINS (2) R70212 AND (2) R70213
	R70210	RECEPTACLE	1		X X	(ORDER R70211) ORDER R70211 WHICH CONTAINS (2) R70210 AND (2) R70211
42	AR91793	SOCKET CONTACT	1		X X	(D)
43	R30378	SPRING	1		X X	(C)
44	R77474	CONNECTOR	1		X X	(A) 6 WAY
45	R77470	TERMINAL	1		X X	SPLICE (PKG. OF 15) 16-18-20 OR 22 GA. WIRE
	R77471	TERMINAL	1		X X	(C) (G) SPLICE
	R77472	TERMINAL	1		X X	(A) SPLICE (8 GA. WIRE)
	R77473	TERMINAL	1		X X	(A) SPLICE (6 GA. WIRE)
46	R65607	TERMINAL	1		X X	(C) (18 OR 20 GA. WIRE)
47	U46664	TERMINAL	1		X X	(C) (F)
48	R32026	TERMINAL	1		X X	(D) (F)
49	R65602	SOCKET CONTACT	1		X X	(C) 16 OR 18 GA. WIRE
50	R70220	TERMINAL	1		X X	(C) 18 OR 20 GA. WIRE
51	R77489	TERMINAL	1		X X	(D) 14-16-18 OR 20 GA. WIRE; NO. 10 EYELET
	R77493	TERMINAL	1		X X	(D) (G) NO. 10 EYELET
	R77488	TERMINAL	1		X X	(D) 14-16-18 OR 20 GA. WIRE; 3/8" EYELET
	R77490	TERMINAL	1		X X	(D) (G) (1/2" EYELET)
52	R77496	TERMINAL	1		X X	(D) (F) NO. 8 SPADE
	R77495	TERMINAL	1		X X	(D) 18 GA. WIRE; NO. 10 SPADE
53	R77497	TERMINAL	1		X X	(D) (F) NO. 6 SPADE
54	R77491	TERMINAL	1		X X	(D) (G) 3/8" EYELET
	R77492	TERMINAL	1		X X	(D) (G) 1/4" EYELET
55	R77494	TERMINAL	1		X X	(D) 6 OR 8 GA. WIRE; 1/4" EYELET
56	R77502	TUBE	1		X X	(PKG. OF 8) 3/8", HEAT SHRINK
	R77503	TUBE	1		X X	(PKG. OF 8) 3/16", HEAT SHRINK
57	RE11154	KIT	1	-651425	X X	(SUB PM797NA)
	PM797NA	KIT	1		X X	

- (A) PKG. OF 2
- (B) PKG. OF 3
- (C) PKG. OF 10
- (D) PKG. OF 20
- (E) PKG. OF 25
- (F) 14 OR 16 GA. WIRE
- (G) 10 OR 12 GA. WIRE
- (H) 14-16 OR 18 GA. WIRE

3G5

ELECTRICAL

TERMINAL AND WIRING KIT
RP1202 -UN-12SEP95



RP1202

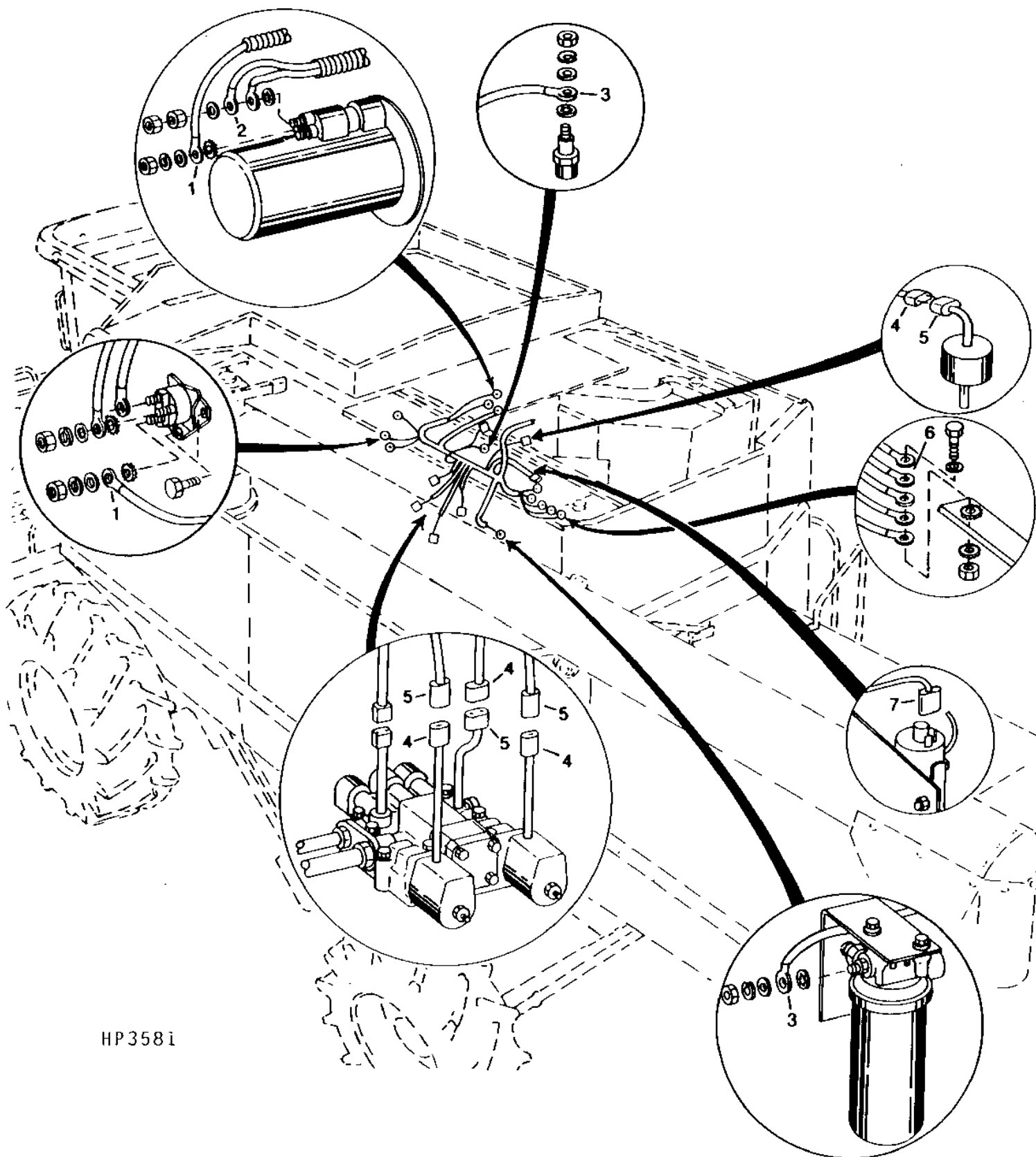
3G6

ELECTRICAL

TERMINAL AND WIRING KIT - CONTINUED

KEY	PART NO.	PART NAME	QTY	SERIAL NO.	S H 9 5 0 0	REMARKS
1	R66319	WIRING LEAD	1		X X	PRIMARY, 14 GA., 30,480 MM (100') (1 SPOOL)
2	R65593	WIRING LEAD	1		X X	PRIMARY, 16 GA., 30,480 MM (100') (1 SPOOL)
3	R65608	RACK	1		X X	
4	R66321	WIRING LEAD	1		X X	PRIMARY, 10 GA., 15,240 MM (50') (1 SPOOL)
5	R66320	WIRING LEAD	1		X X	PRIMARY, 12 GA., 30,480 MM (100') (1 SPOOL)
6	R65609	CONTAINER	1		X X	32 COMPARTMENT
7	R65610	CONTAINER	1		X X	11 COMPARTMENT
8	R32011	TOOL	1	-641524	X X	WIRING, STRIPPING; NO LONGER AVAILABLE
9	R65594	TOOL	1		X X	WIRING, CRIMPING
10	R32016	TERMINAL	1		X X	PRIMARY, 14-16 GA., NO. 10 SPADE
11	R32017	TERMINAL	1		X X	PRIMARY, 10-12 GA., NO. 10 SPADE
12	R32018	TERMINAL	1		X X	PRIMARY, 14-16 GA., NO. 10 EYELET
13	R32019	TERMINAL	1		X X	PRIMARY, 10-12 GA., NO. 10 EYELET
14	R32021	TERMINAL	1		X X	PRIMARY, 10-12 GA., 1/4" EYELET
15	R32022	TERMINAL	1		X X	PRIMARY, 10-12 GA., 3/8" EYELET
16	R32023	TERMINAL	1		X X	PRIMARY, 10-12 GA., 1/2" EYELET
17	R32026	TERMINAL	1		X X	MALE BULLET
18	R32027	CONNECTOR	1		X X	SPLICE, 14-16 GA.
19	R32028	TERMINAL	1		X X	SPLICE, 10-12 GA.
20	AL2976T	CONNECTOR	1		X X	(SUB FOR R32029) 2-WIRE BULLET CONNECTOR
21	R65595	TERMINAL	1		X X	FEMALE, 10 GA.
22	R65596	TERMINAL	1		X X	MALE, 10 GA., OR TWO 14 GA. CABLES
23	R65597	TERMINAL	1		X X	MALE, 14-16 GA.
24	R65598	TERMINAL	1		X X	MALE, SHORT, 14-16 GA.
25	R65599	TERMINAL	1		X X	14-16 GA., 1/4" EYELET
26	R65600	TERMINAL	1		X X	FEMALE, 14-16 GA.
27	R65601	TERMINAL	1		X X	TWIN-LOCK, TWO 16 GA. CABLES
28	R65602	SOCKET CONTACT	1		X X	BULB SOCKET, 16-18 GA.
29	R65603	TERMINAL NIPPLE	1		X X	FUSE
30	R65604	INSULATING SLEEVE	1		X X	14-18 GA.
31	R65605	INSULATING SLEEVE	1		X X	8-12 GA.
32	R65606	TERMINAL	1		X X	6-8 GA., 1/4" EYELET
33	R65607	TERMINAL	1		X X	18-20 GA.
34	T28583	RECEPTACLE CONNECTOR BODY	1		X X	ONE CONTACT LOCK-TYPE, MALE
35	T28585	TAB CONNECTOR BODY	1		X X	ONE CONTACT LOCK-TYPE, FEMALE
36	U46370	CONNECTOR	1		X X	ONE CONTACT SINGLE BODY, MALE
37	U46662	TERMINAL	1		X X	CONNECTOR, ONE CONTACT SINGLE BODY, MALE
38	U46663	TERMINAL	1		X X	MALE
39	U46664	TERMINAL	1		X X	MALE
40	PM797NA	KIT	1		X X	(SUB FOR AR84006 OR RE11154)

LOWER HARNESS CONNECTORS FOR 6076 ENGINE
HP3581 -UN-01JAN94



HP3581i

LOWER HARNESS CONNECTORS FOR 6076 ENGINE - CONTINUED

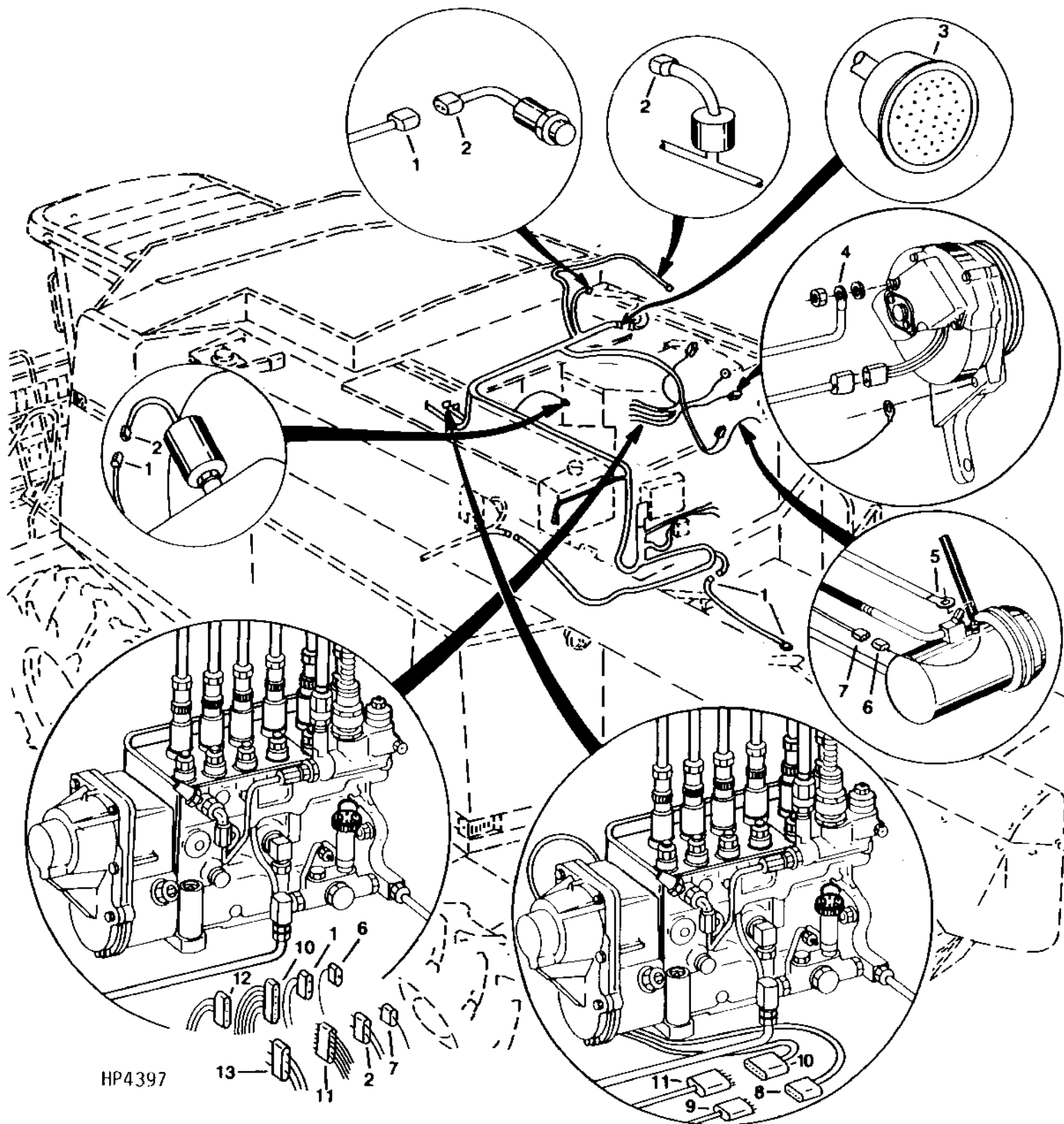
KEY	PART NO.	PART NAME	QTY	SERIAL NO.	S H 9 9 5 5 0 0 0 0	REMARKS
1	R77493	TERMINAL	1		X X	
2	R77491	TERMINAL	1		X X	
3	R77489	TERMINAL	2		X X	
4	R78053	PIN CONTACT CONNECTOR BODY	4		X X	(PKG OF 3)
	R78061	PIN CONTACT	2		X X	(PKG OF 40)
	R78063	TERMINAL NIPPLE	2		X X	(PKG OF 40)
5	RE12363	CONNECTOR	4		X X	(PKG OF 3)
	R78048	TERMINAL NIPPLE	1		X X	(PKG OF 5)
6	57M7111	TERMINAL	1		X X	(NO LONGER AVAILABLE)
7	R77479	CONNECTOR	1		X X	FOR ETHER START
	U46662	TERMINAL	1		X X	FOR ETHER START

3G9

ELECTRICAL

UPPER HARNESS CONNECTORS FOR 6076 ENGINE

HP4397 -UN-01JAN94



3G10

ELECTRICAL

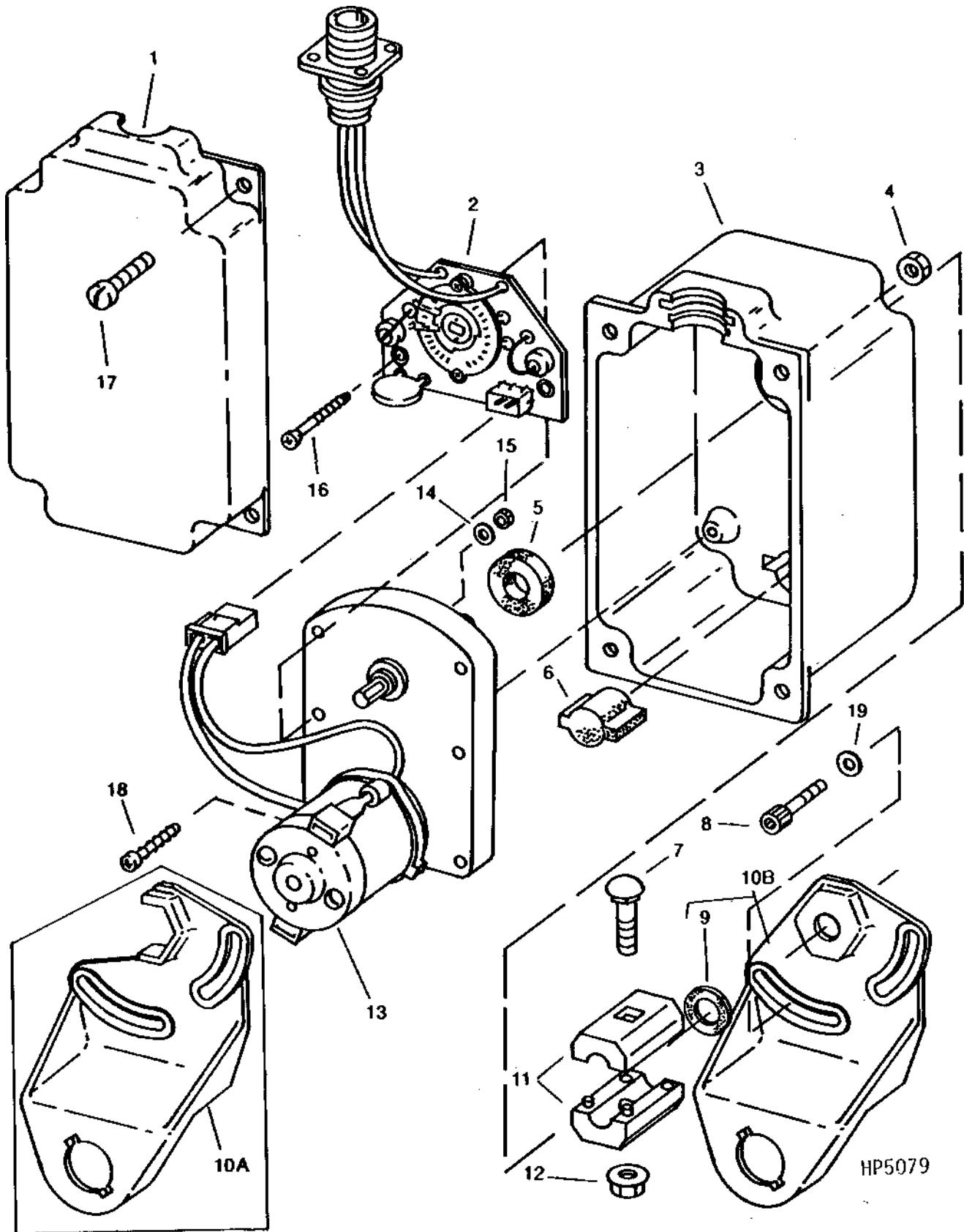
UPPER HARNESS CONNECTORS FOR 6076 ENGINE - CONTINUED

KEY	PART NO.	PART NAME	QTY	SERIAL NO.	S H 9 9 5 5 0 0 0 0	REMARKS
1	RE12363	CONNECTOR	1		X X	(PKG OF 3)
	R78048	TERMINAL NIPPLE	2		X X	(PKG OF 5)
	R78060	SOCKET CONTACT	2		X X	(PKG OF 40)
	R78063	TERMINAL NIPPLE	1		X X	(PKG OF 40)
2	R78053	PIN CONTACT CONNECTOR BODY	2		X X	(PKG OF 3)
	R78063	TERMINAL NIPPLE	2		X X	(PKG OF 40)
	R78060	SOCKET CONTACT	2		X X	(PKG OF 40)
3	R77457	ELECTRICAL PLUG	1		X X	37 PIN CONNECTOR
	R77465	SOCKET CONTACT	1		X X	
	R77463	SOCKET CONTACT	1		X X	
4	R77494	TERMINAL	1		X X	
5	R77489	TERMINAL	1		X X	
6	R78052	PIN CONTACT CONNECTOR BODY	1		X X	(PKG OF 3)
	R78061	PIN CONTACT	1		X X	(PKG OF 40)
	R78063	TERMINAL NIPPLE	1		X X	(PKG OF 40)
7	RE12362	CONNECTOR	1		X X	(PKG OF 3)
	R78060	SOCKET CONTACT	1		X X	(PKG OF 40)
	R78063	TERMINAL NIPPLE	1		X X	(PKG OF 40)
8	R78055	PIN CONTACT CONNECTOR BODY	1		X X	(PKG OF 2)
	R78058	PIN CONTACT	1		X X	(PKG OF 40)
	R78059	ELECTRICAL PLUG	1		X X	(PKG OF 40)
9	RE12365	CONNECTOR	1		X X	(PKG OF 2)
	R78050	SEAL	1		X X	(PKG OF 5)
	R78060	SOCKET CONTACT	1		X X	(PKG OF 40)
	R78059	ELECTRICAL PLUG	1		X X	(PKG OF 40)
10	R78056	PIN CONTACT CONNECTOR BODY	1		X X	(PKG OF 2)
	R78058	PIN CONTACT	1		X X	(PKG OF 40)
	R78059	ELECTRICAL PLUG	1		X X	(PKG OF 40)
11	RE12366	CONNECTOR	1		X X	(PKG OF 2)
	R78051	SEAL	1		X X	(PKG OF 5)
	R78057	SOCKET CONTACT	1		X X	(PKG OF 40)
	R78059	ELECTRICAL PLUG	1		X X	(PKG OF 40)
12	RE12332	CONNECTOR	1		X X	
	R78054	PIN CONTACT CONNECTOR BODY	1		X X	(PKG OF 3)
	R78060	SOCKET CONTACT	1		X X	(PKG OF 40)
	R78063	TERMINAL NIPPLE	1		X X	(PKG OF 40)
13	RE12364	SOCKET CONT.CONNECTOR BODY	1		X X	(PKG OF 3)
	R78049	SEAL	1		X X	(PKG OF 5)
	R78060	SOCKET CONTACT	1		X X	(PKG OF 40)
	R78063	TERMINAL NIPPLE	1		X X	(PKG OF 40)

3G11

ELECTRICAL

REEL SPEED MOTOR AND BRACKET
HP5079 -UN-01JAN94



HP5079

3G12

ELECTRICAL

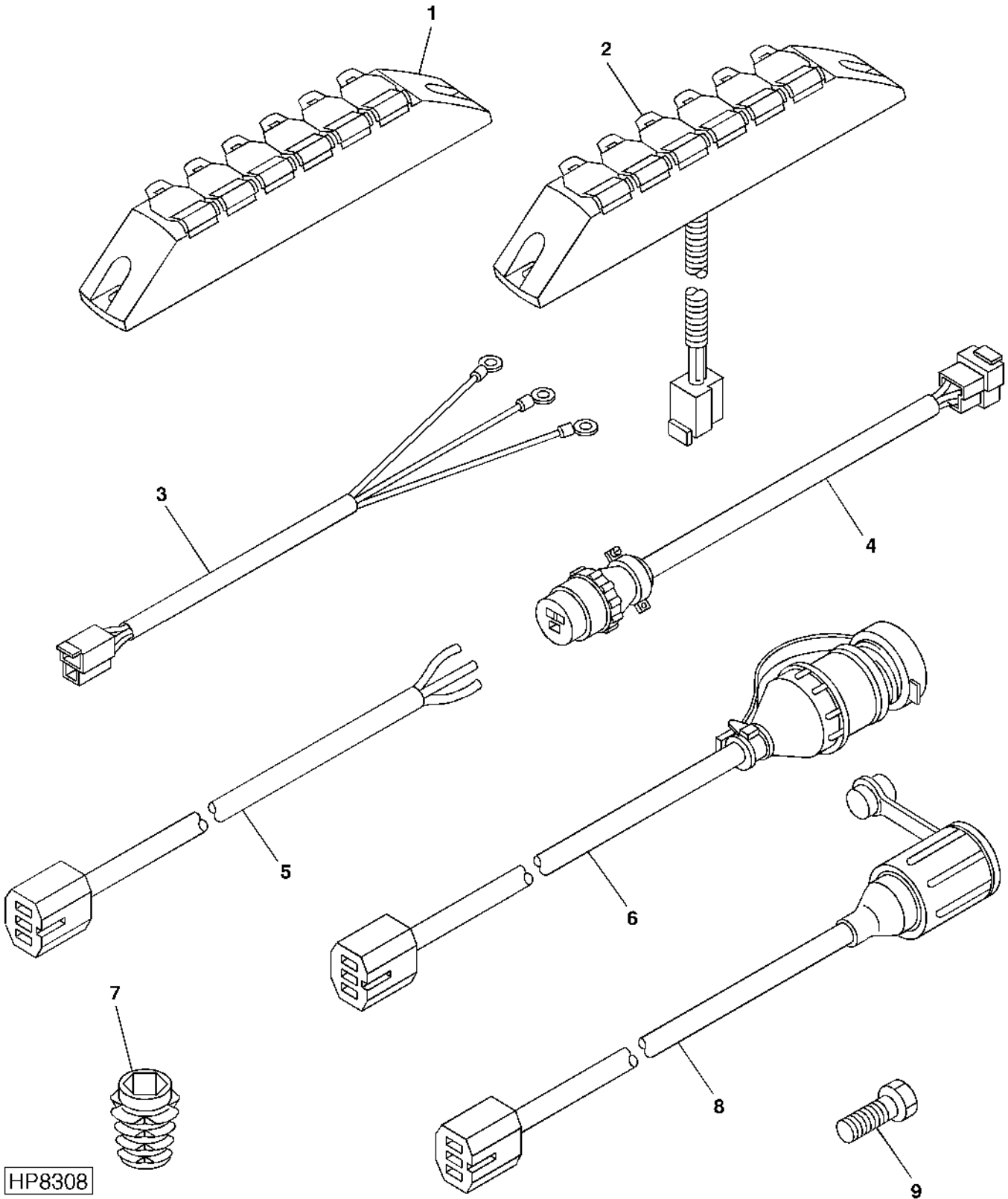
REEL SPEED MOTOR AND BRACKET - CONTINUED

KEY	PART NO.	PART NAME	QTY	SERIAL NO.	S H 9 5 0 0	REMARKS
1	H133852	BOX	1		X X	
2	AH128849 AH139987	PRINTED CIRCUIT PRINTED CIRCUIT	1 1	-645322	X X X X	(SUB AH139987)
3	H133851	BOX	1		X X	
4	14M7139	NUT	4		X X	M4, (SUB FOR (4) 14M7100)
5	M121T	WASHER	1		X X	9.652 X 20.574 X 4.064 MM (0.380" X 0.810" X 0.160")
6	H133981	SEAL	1		X X	
7	03M7290	BOLT	1		X X	M6 X 30
8	19H2925	SCREW	2		X X	1/4" X 1/2"
9	H146950	WASHER	1	646356-	X X	
10A	H128469	BRACKET	1	-646355	X X	(SUB AH141813)
10B	AH141813	KIT	1		X X	
11	H114020	HALF CLAMP	2		X X	
12	14M7397	LOCK NUT	1		X X	M6
13	AH128865	MOTOR	1		X X	
14	12H314	LOCK WASHER	2		X X	0.138"
15	14H1026	NUT	2		X X	0.138"
16	21H1184	SCREW	2		X X	0.138" X 1-1/8"
17	21M7250	SCREW	4		X X	M4 X 12
18	H144032	SCREW	4		X X	
19	24M7027	WASHER	2		X X	5.300 X 10 X 1 MM

3G13

ELECTRICAL

KIT-CONVENIENCE OUTLET
HP8308 -UN-10MAR99



HP8308

3G14

ELECTRICAL

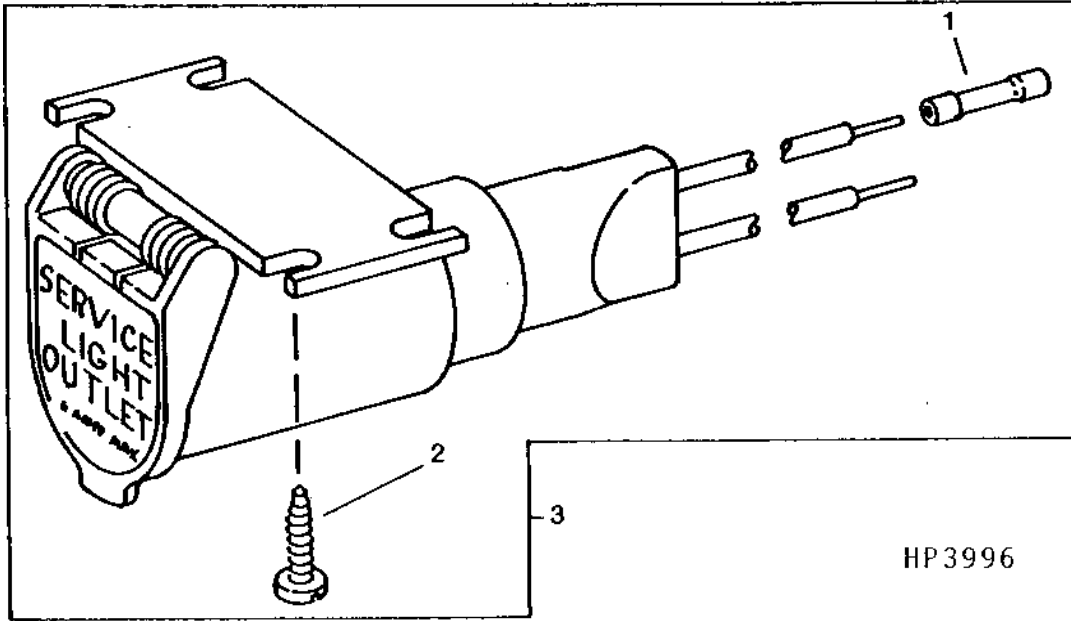
CONVENIENCE OUTLET - CONTINUED

KEY	PART NO.	PART NAME	QTY	SERIAL NO.	S H 9 9 5 5 0 0 0 0	REMARKS
1	RE68495	STRIP	1		X X	
2	AH152668	TERMINAL	1		X X	
3	AH153311	WIRING HARNESS	1		X X	
4	AH153133	WIRING HARNESS	1		X X	
5	RE67013	ELECTRICAL PLUG	1		X X	
6	RE67015	ADAPTER	1		X X	
7	H159806	INSERT	1		X X	
8	RE67014	ADAPTER	1		X X	
9	37M7160	SCREW	2		X X	M6 X 16
..	BH81255	COMPLETE GOODS/SHIP. BUNDLE	1		X X	CONVENIENCE OUTLET KIT

3G15

ELECTRICAL

ELECTRICAL SERVICE OUTLET
 HP3996 -UN-01JAN94



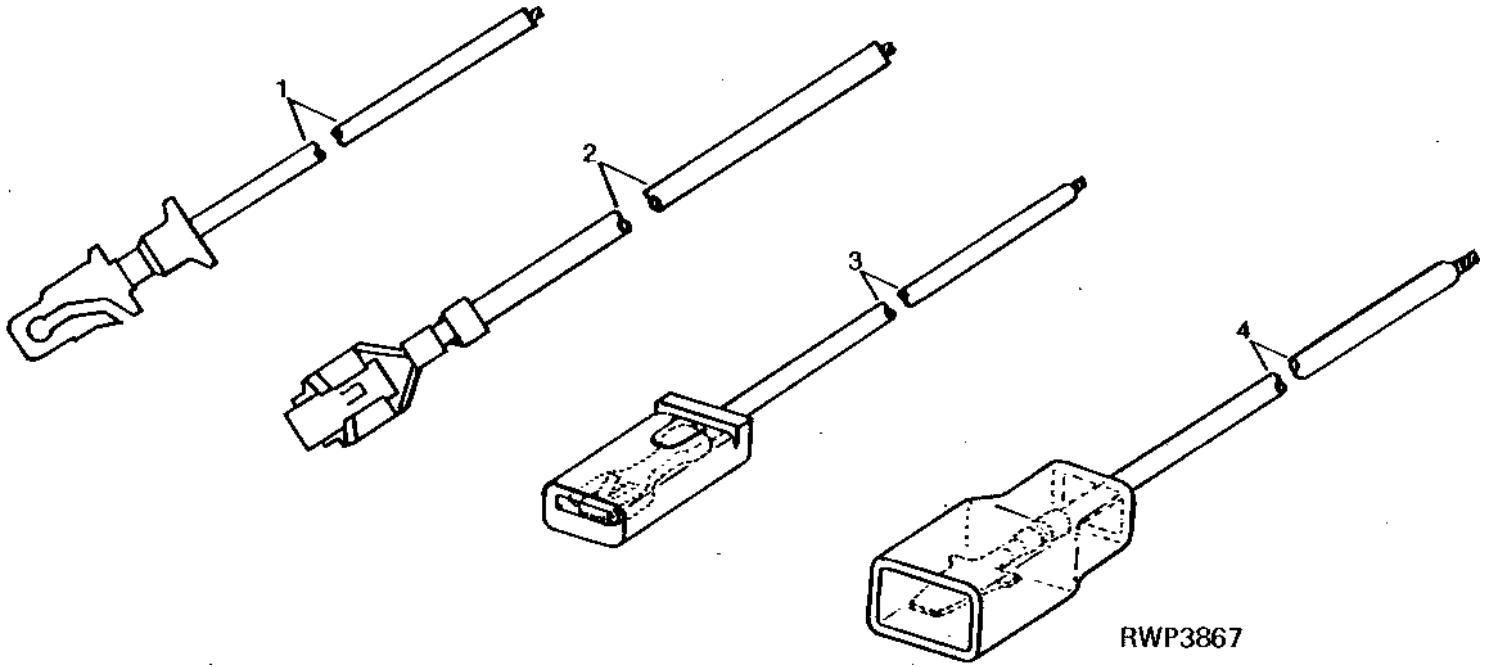
KEY	PART NO.	PART NAME	QTY	SERIAL NO.	S H 9 9 5 5 0 0 0 0	REMARKS
1	R32027	CONNECTOR	2		X X	
2	37M7060	SCREW	2		X X	M4 X 10
3	AH135821	SOCKET OUTLET	1		X X	

3G16

ELECTRICAL

SUPPLEMENTARY TERMINALS AND CONNECTORS

RWP3867 -UN-01JAN94

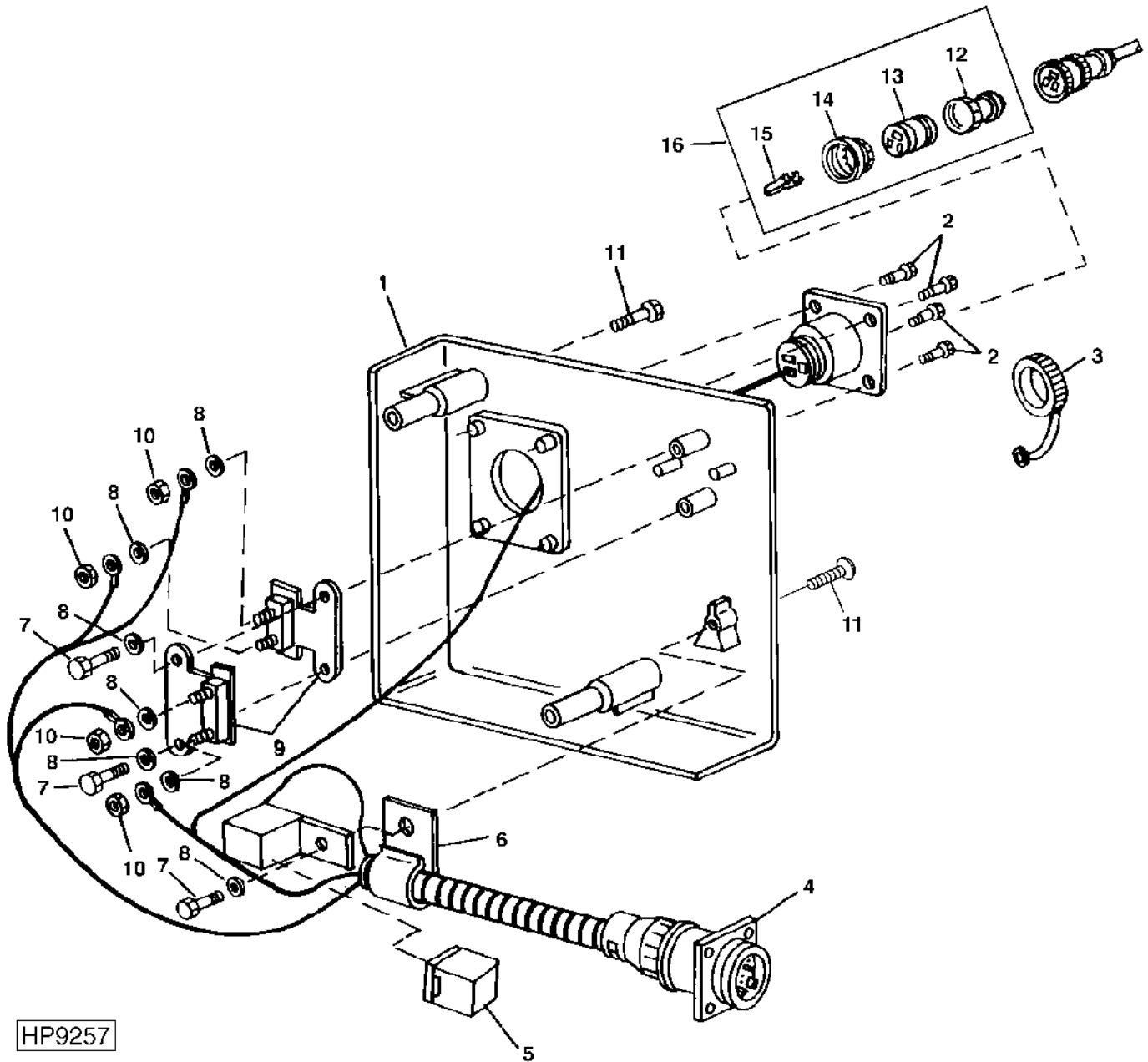


KEY	PART NO.	PART NAME	QTY	SERIAL NO.	S H 9 9 5 5 0 0 0 0	REMARKS
1	AR65005	TERMINAL	1		X X	
2	AR65006	TERMINAL	1		X X	
3	R32024	WIRING LEAD	1		X X	
4	R32025	WIRING LEAD	1		X X	

3G17

ELECTRICAL

CONVENIENCE OUTLET
(660201-)
HP9257 -UN-15NOV99



HP9257

3G18

ELECTRICAL

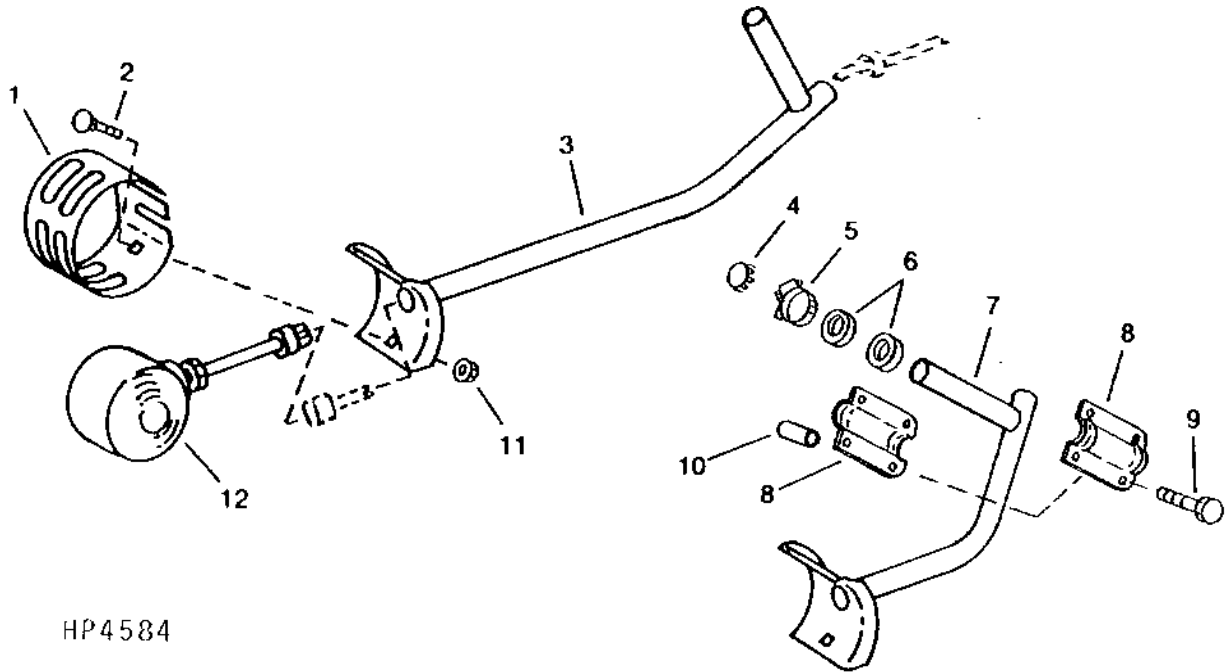
CONVENIENCE OUTLET - CONTINUED
(660201-)

KEY	PART NO.	PART NAME	QTY	SERIAL NO.	S H 9 9 5 5 0 0 0 0	REMARKS
1	H151579	BRACKET	1		X X	
2	H111364	SCREW	4		X X	
3	57M7391	INSULATING CAPSULE	1		X X	
4	AH152020	WIRING HARNESS	1		X X	(SUB FOR AH145277)
5	AH106612	RELAY	1		X X	
6	AH89557	CLIP	1		X X	
7	H123998	SCREW	3		X X	
8	12H295	LOCK WASHER	7		X X	4.826 MM (0.190")
9	AR49352	CIRCUIT BREAKER	2		X X	30 AMP
10	14H778	NUT	4		X X	4.826 MM (0.190")
11	19M7595	CAP SCREW	2	-665501	X X	M6 X 50
	H132451	CAP SCREW	2	666264-	X X	M6 X 50
12	AE44931	CONNECTOR	1	660858-	X X	
13	AE44929	CONNECTOR	1	660858-	X X	
14	R77459	CONNECTOR	1	660858-	X X	
15	RE11157	TERMINAL	2	660858-	X X	
16	RE37651	PLUG	1	660858-	X X	
..	BH81255	COMPLETE GOODS/SHIP. BUNDLE	1		X X	CONVENIENCE OUTLET KIT

3G19

ELECTRICAL

TRANSPORT WARNING LIGHTS
HP4584 -UN-01JAN94



HP4584

3G20

ELECTRICAL

TRANSPORT WARNING LIGHTS - CONTINUED

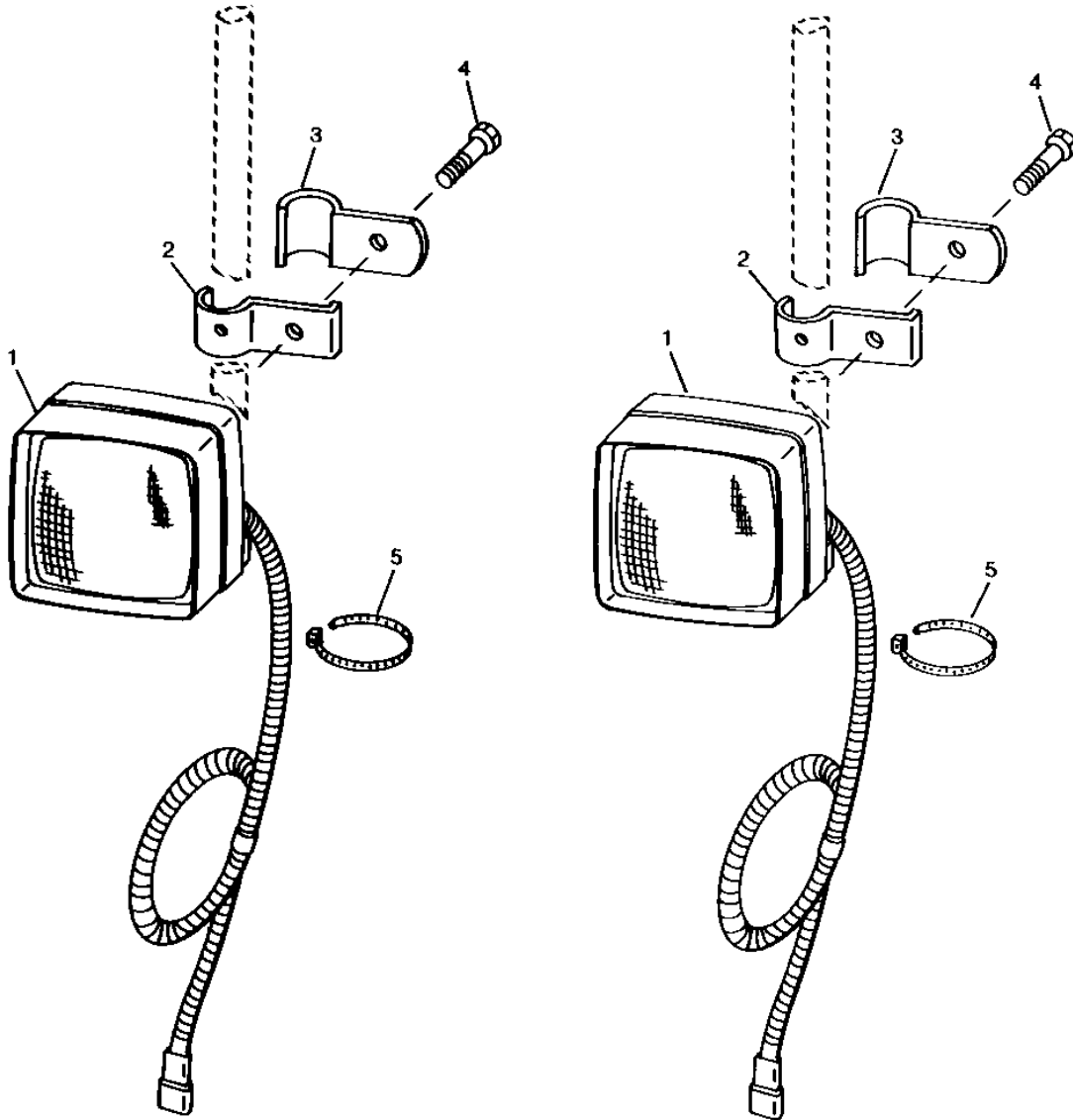
KEY	PART NO.	PART NAME	QTY	SERIAL NO.	S H 9 5 0 0	REMARKS
1	H143317	SHIELD	1		X X	
2	03M7183	BOLT	4		X X	M8 X 16
3	AH136496	TUBE	2		X X	
4	H106000	PLUG	2		X X	
5	AT18904	CLAMP	2		X X	
6	H136110	ISOLATOR	2		X X	
7	AH136494	TUBE	2		X X	
8	H161289	CLAMP	4		X X	(SUB FOR H136109)
9	19M7863	SCREW	4	-665200	X X	M6 X 25, FOR L H SIDE OF COMBINE
	19M8321	SCREW	4	-665200	X X	M6 X 45, FOR R H SIDE OF COMBINE
	19M7863	SCREW	8		X X	M6 X 25
10	28H1914	BUSHING	4		X X	9.246 X 13.716 X 22.225 MM (0.364" X 0.540" X 7/8")
11	14M7298	FLANGE NUT	4		X X	M8
12	AH164497	LAMP	2		X X	(SUB FOR AH133316)
..	BH80677	COMPLETE GOODS/SHIP. BUNDLE	1			ATT-ID ASAE LIGHT, RETRO LONG ARM
..	BH80678	COMPLETE GOODS/SHIP. BUNDLE	1			ATT ID-ASAE LIGHT, RETRO SHORT ARM

3G21

ELECTRICAL

FIELD LIGHTS

(660201-)
 HP5865 -UN-15OCT94



HP5865

S
 H
 9 9
 5 5
 0 0
 0 0

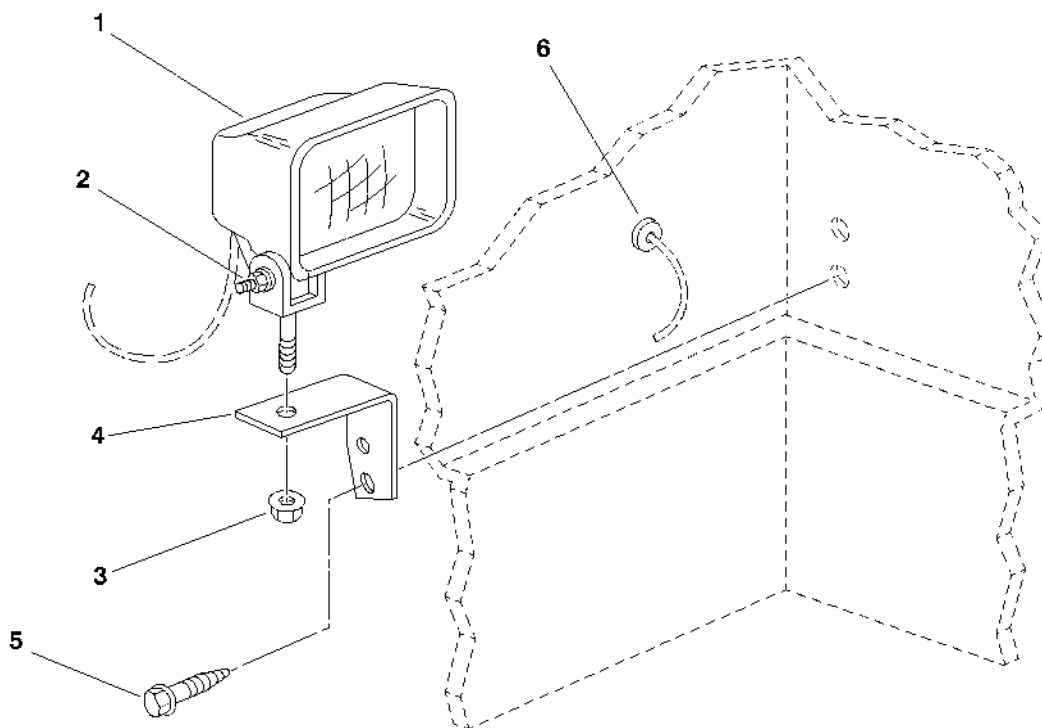
KEY	PART NO.	PART NAME	QTY	SERIAL NO.	REMARKS
1	AH145563	FLOODLAMP	2	X X	INCLUDES AT130104 BULB, T80393 GASKET, (4) T80394 SCREWS,(1) 14M7166 NUT AND (1) 19M7295 SCREW
2	H83790	CLAMP	2	X X	
3	H83791	CLAMP	2	X X	
4	19M7867	SCREW	2	X X	M8 X 25
5	R44302	TIE BAND	AR	X X	

3G22

ELECTRICAL

REAR LAMP ASSEMBLY - L.H. SIDE

HP7290 -UN-08JAN98



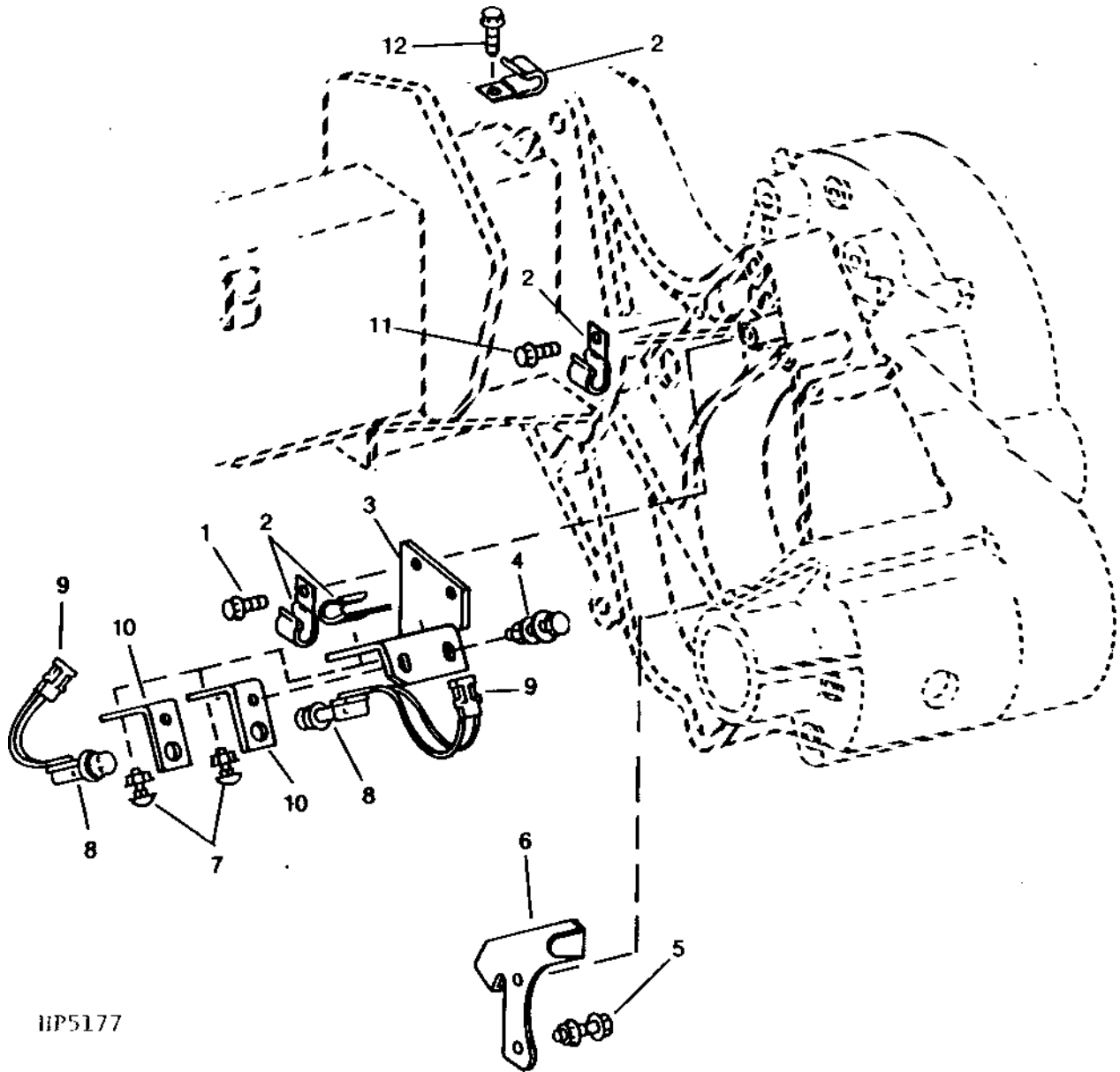
HP7290

KEY	PART NO.	PART NAME	QTY	SERIAL NO.	REMARKS
1	AH158038	FLOODLAMP	1		
	AH165877	BULB	1		
2	19M7298	CAP SCREW	1	M8 X 35	
	14M7298	FLANGE NUT	1	M8	
3	14M7298	FLANGE NUT	1	M8	
4	H164759	BRACKET	1		
5	37M7058	SCREW	2	M8 X 20	
	19M7865	SCREW	2	M8 X 16, (LESS LAMP ASSEMBLY)	
6	H80306	GROMMET	1		
	H164757	PLUG	1	(LESS LAMP ASSEMBLY)	
..	BH81420	COMPLETE GOODS/SHIP. BUNDLE	1	KIT - REAR DISCHARGE LIGHTS	

3G23

ELECTRICAL

SIDEHILL LEVELING LIMIT SWITCH
HP5177 -UN-01JAN94



HP5177

SIDEHILL LEVELING LIMIT SWITCH - CONTINUED

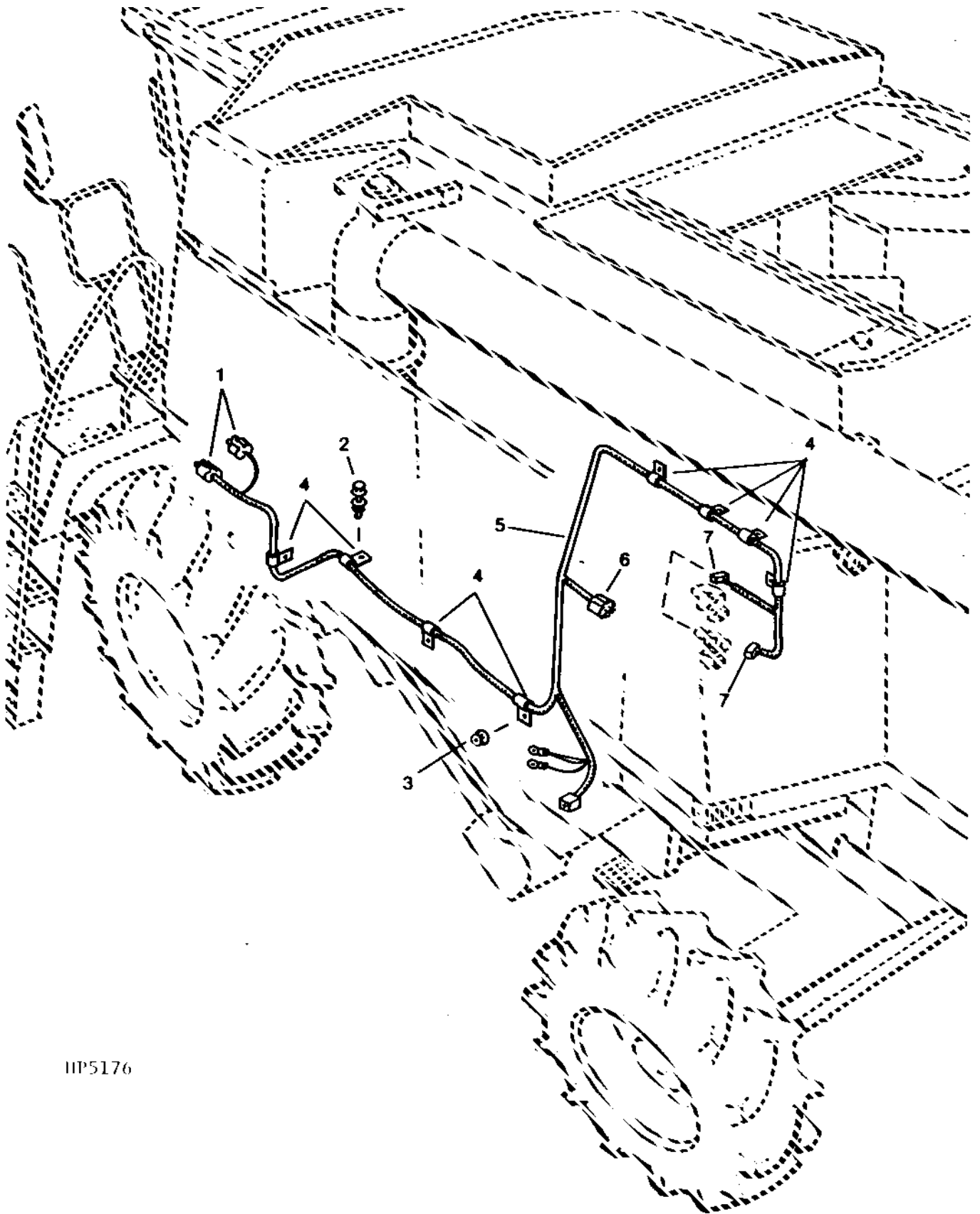
KEY	PART NO.	PART NAME	QTY	SERIAL NO.	S H 9 5 0 0	REMARKS
1	R87789	SELF-LOCKING SCREW	2		X	M10 X 25
2	AH89557	CLIP	3		X	
3	AH142150	BRACKET	1		X	(SUB FOR AH138215)
4	19M7385	CAP SCREW	2		X	M10 X 70
	24M7178	WASHER	2		X	10.500 X 30 X 2.500 MM
	14M7400	LOCK NUT	2		X	M10
5	19M7815	SCREW	2		X	M12 X 60
	14M7299	FLANGE NUT	2		X	M12
6	H147587	BRACKET	1		X	
7	03M7185	BOLT	4		X	M8 X 25
	14M7298	FLANGE NUT	4		X	M8
8	AH141218	SWITCH	2		X	
9	R78053	PIN CONTACT CONNECTOR BODY	2		X	
	R78061	PIN CONTACT	2		X	
10	H144199	ANGLE	2		X	
11	19M7784	SCREW	1		X	M10 X 20
12	37M7083	SCREW	1		X	M8 X 12

3H1

ELECTRICAL

SIDEHILL LEVELING WIRING HARNESS

HP5176 -UN-01JAN94



HP5176

3H2

ELECTRICAL

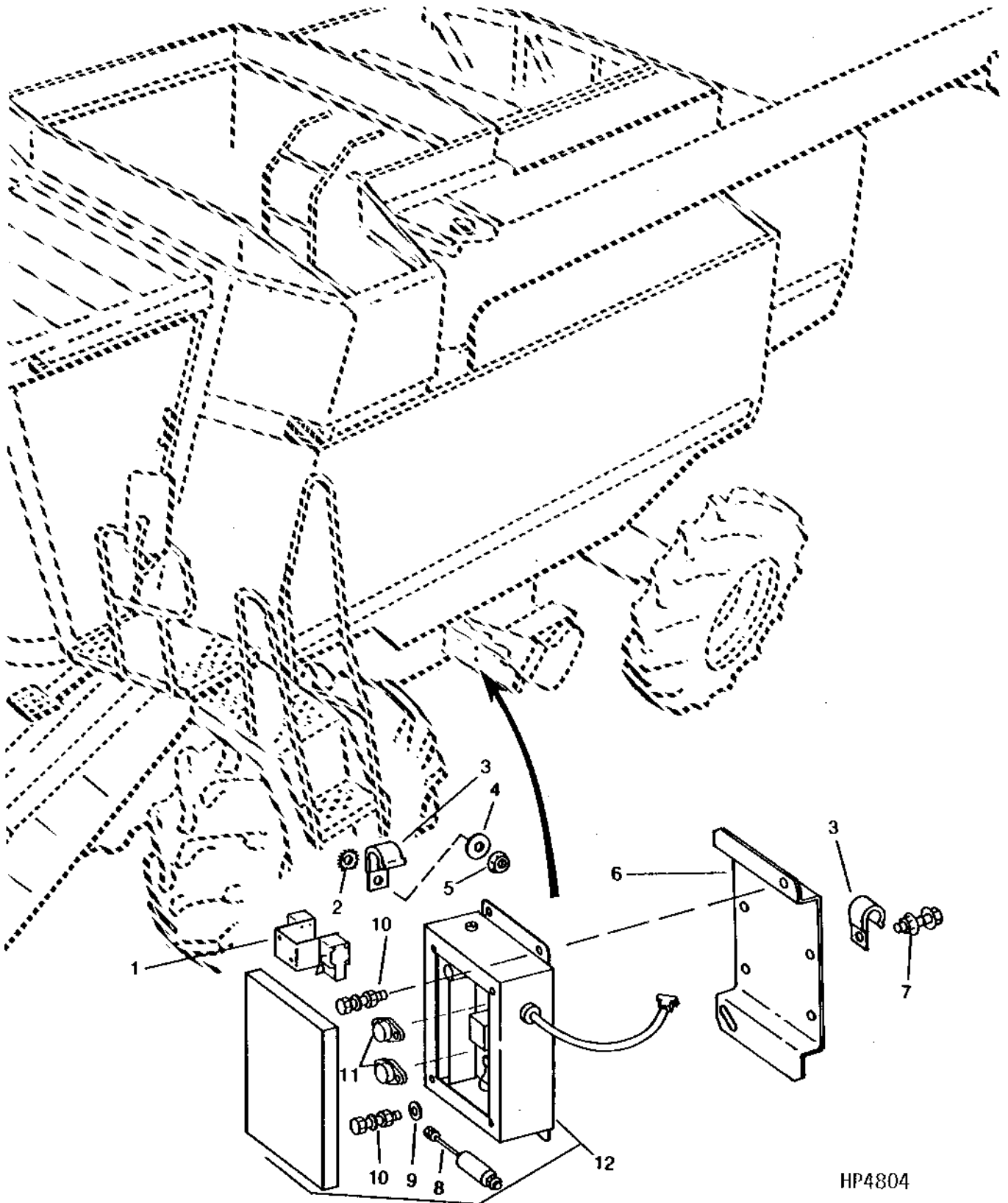
SIDEHILL LEVELING WIRING HARNESS - CONTINUED

KEY	PART NO.	PART NAME	QTY	SERIAL NO.	REMARKS
					S H 9 9 5 5 0 0 0 0
1	RE12363	CONNECTOR	2		X (PKG OF 3)
	U46662	TERMINAL	1		X (PKG OF 25)
	R78060	SOCKET CONTACT	1		X (PKG OF 40)
	R78048	TERMINAL NIPPLE	1		X (PKG OF 40)
2	19M7866	SCREW	8		X M8 X 20, (USE ONLY IF TRASH SHIELDS ARE NOT USED)
	14M7298	FLANGE NUT	8		X M8, (USE ONLY IF TRASH SHIELDS ARE NOT USED)
3	14M7298	FLANGE NUT	1		X M8
4	AH89557	CLIP	8		X
5	AH134297	WIRING HARNESS	1		X
6	RE12364	SOCKET CONT.CONNECTOR BODY	1		X (PKG OF 3)
	R78049	SEAL	1		X (PKG OF 5)
	R78060	SOCKET CONTACT	1		X (PKG OF 40)
	R78063	TERMINAL NIPPLE	1		X (PKG OF 40)
7	H104855	RECEPTACLE CONNECTOR BODY	2		X

3H3

ELECTRICAL

LEVEL SENSING CONTROL BOX
HP4804 -UN-01JAN94



HP4804

3H4

ELECTRICAL

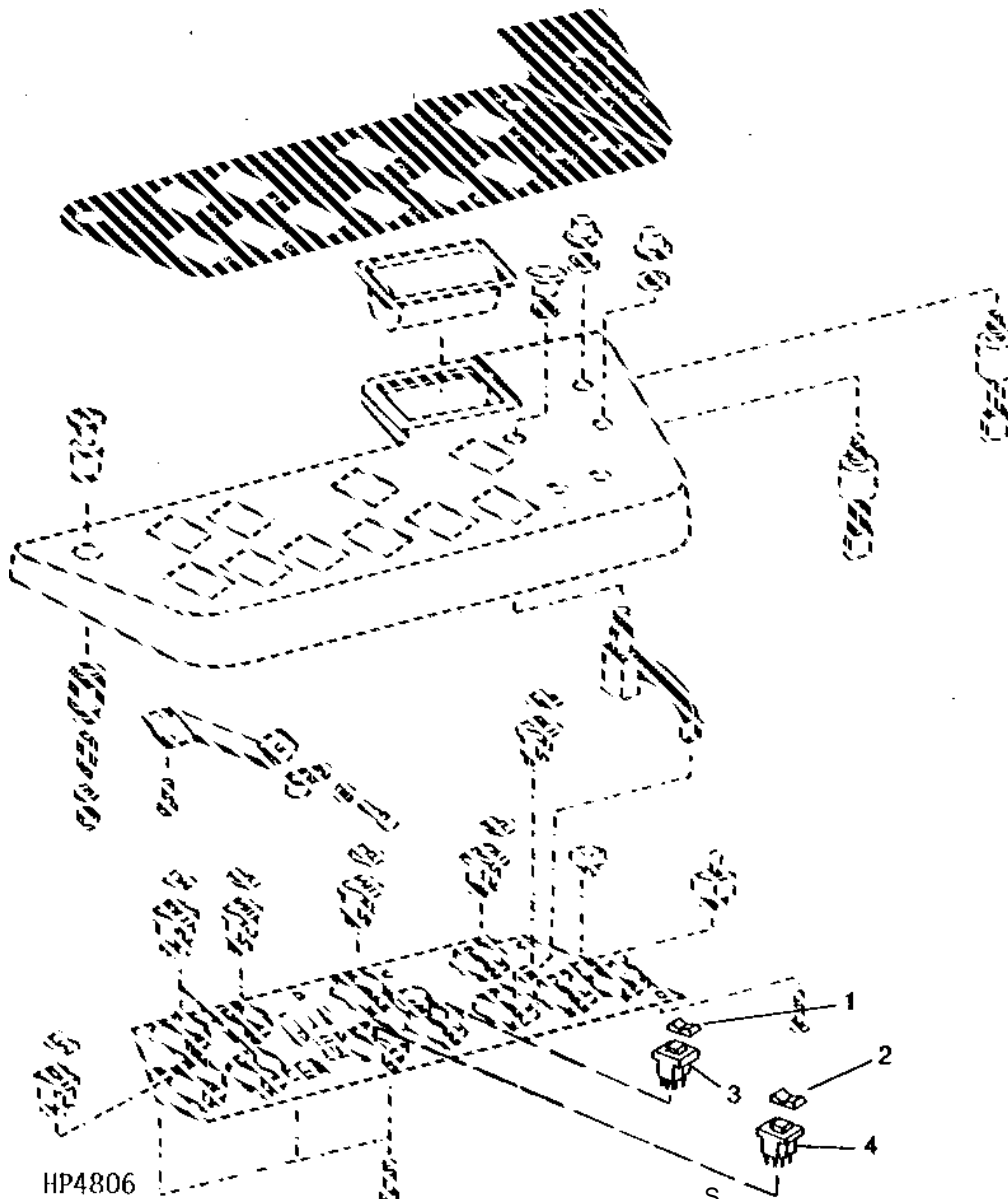
LEVEL SENSING CONTROL BOX - CONTINUED

KEY	PART NO.	PART NAME	QTY	SERIAL NO.	S H 9 5 0 0	REMARKS
1	AH136342	SWITCH	1		X	
2	12M7032	LOCK WASHER	1		X	8.400 MM, EXTERNAL TOOTH
3	AH89557	CLIP	2		X	
4	24M7055	WASHER	1		X	8.400 X 16 X 1.600 MM
5	14M7298	FLANGE NUT	1		X	M8
6	H141726	BRACKET	1		X	
7	19M7162	CAP SCREW	4		X	M8 X 16
	14M7298	FLANGE NUT	4		X	M8
8	AH89574	ABSORBER	1		X	
9	24H1136	WASHER	1		X	11/32" X 11/16" X 0.065"
10	N10212	SELF-LOCKING SCREW	2	651323-	X	7.925 X 19.050 MM
	24H1136	WASHER	2	651323-	X	11/32" X 11/16" X 0.065"
	N10213	LOCK NUT	2	651323-	X	5/16"
11	H132010	TRANSISTOR	2		X	
12	AH115905	CONTROL	1		X	LEVELING

3H5

ELECTRICAL

SIDEHILL LEVELING ROCKER SWITCHES
 HP4806 -UN-01JAN94

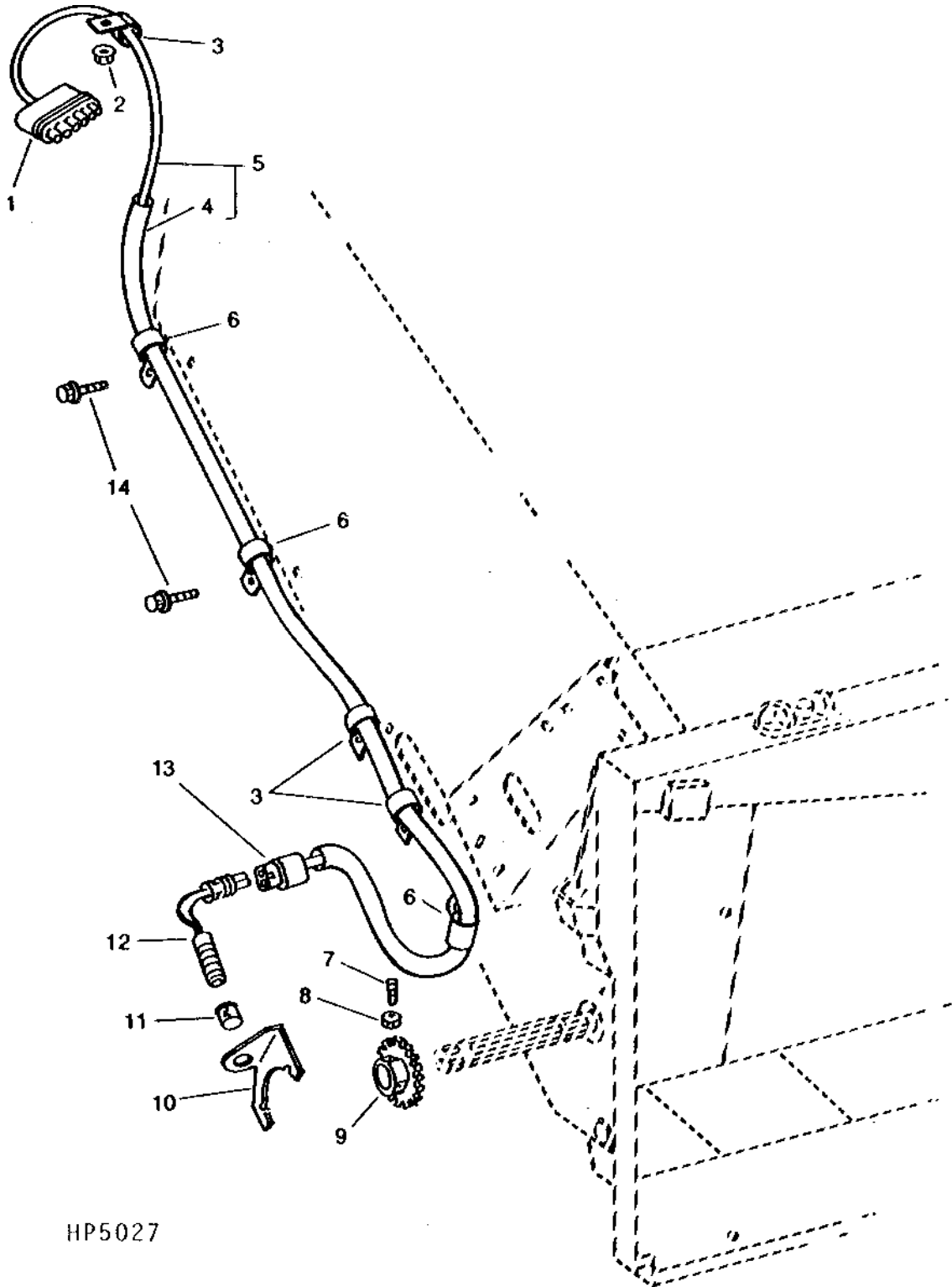


S
H
9
9
5
5
0
0
0
0

KEY	PART NO.	PART NAME	QTY	SERIAL NO.	REMARKS
1	H143918 H159740	ACTUATOR LABEL	1 1		X LEVELING X (SUB FOR H145511 OR H151908) SHEET OF ASSORTED LABELS
2	H143918 H159740	ACTUATOR LABEL	1 1		X POWER ON - POWER OFF X (SUB FOR H145511 OR H151908) SHEET OF ASSORTED LABELS
3	AH109120	SWITCH	1		X LEVELING
4	AH111705	ROCKER SWITCH	1		X POWER

MEMORANDA

FEEDER HOUSE BACKSHAFT SPEED SENSOR
HP5027 -UN-01JAN94



HP5027

3H7

ELECTRICAL

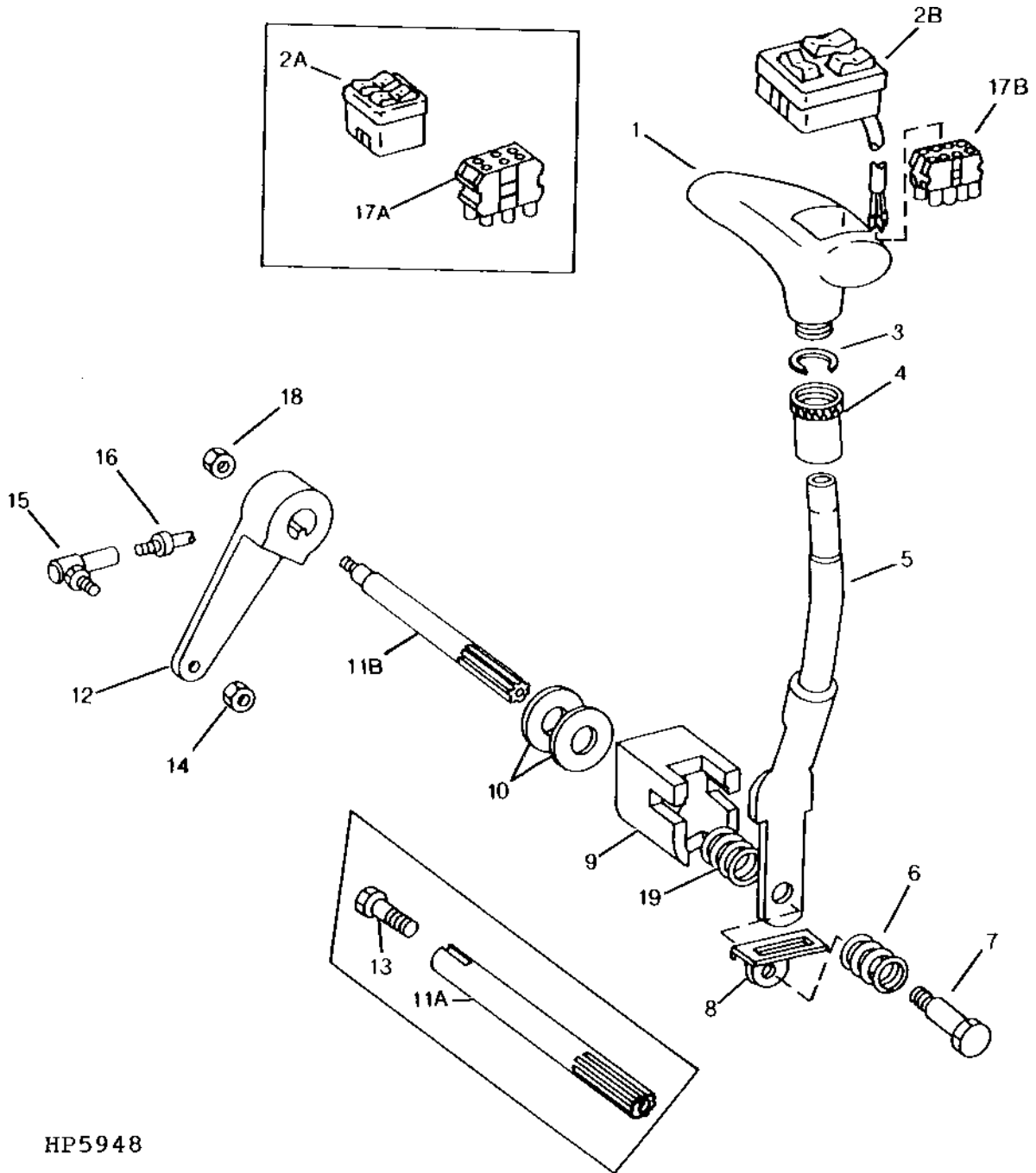
FEEDER HOUSE BACKSHAFT SPEED SENSOR - CONTINUED

KEY	PART NO.	PART NAME	QTY	SERIAL NO.	REMARKS
					S H 9 9 5 5 0 0 0 0
1	RE12366	CONNECTOR	1	X X	(PKG OF 2)
	R78051	SEAL	1	X X	(PKG OF 5)
	R78060	SOCKET CONTACT	1	X X	(PKG OF 40)
2	14M7299	FLANGE NUT	1	X X	M12
3	AH77279	CLIP	3	X X	
4	H132800	HOSE	1	X X	
5	AH134288	WIRING HARNESS	1	X X	
6	AH89557	CLIP	3	X X	
7	A50743	BOLT	2	X X	M6 X 16
8	14M7272	NUT	2	X X	M6
9	H135772	WHEEL	1	X X	
	H170634	WHEEL	1	X X	USE WITH AH153341 (GEARBOX) AND AH149349 (DRIVE SPROCKET)
10	H135773	BRACKET	1	X X	
11	H160880	CLIP	1	X X	(SUB FOR H121110)
12	AH116104	SENSOR	1	X X	BACKSHAFT SPEED
13	R78053	PIN CONTACT CONNECTOR BODY	1	X X	(PKG OF 3)
	R78063	TERMINAL NIPPLE	1	X X	(PKG OF 40)
14	37M7083	SCREW	2	X X	M8 X 12

MEMORANDA

MEMORANDA

HYDROSTATIC DRIVE LEVER, CABLE AND SWITCH
HP5948 -UN-02MAY95



HP5948

HYDROSTATIC DRIVE LEVER, CABLE AND SWITCH - CONTINUED

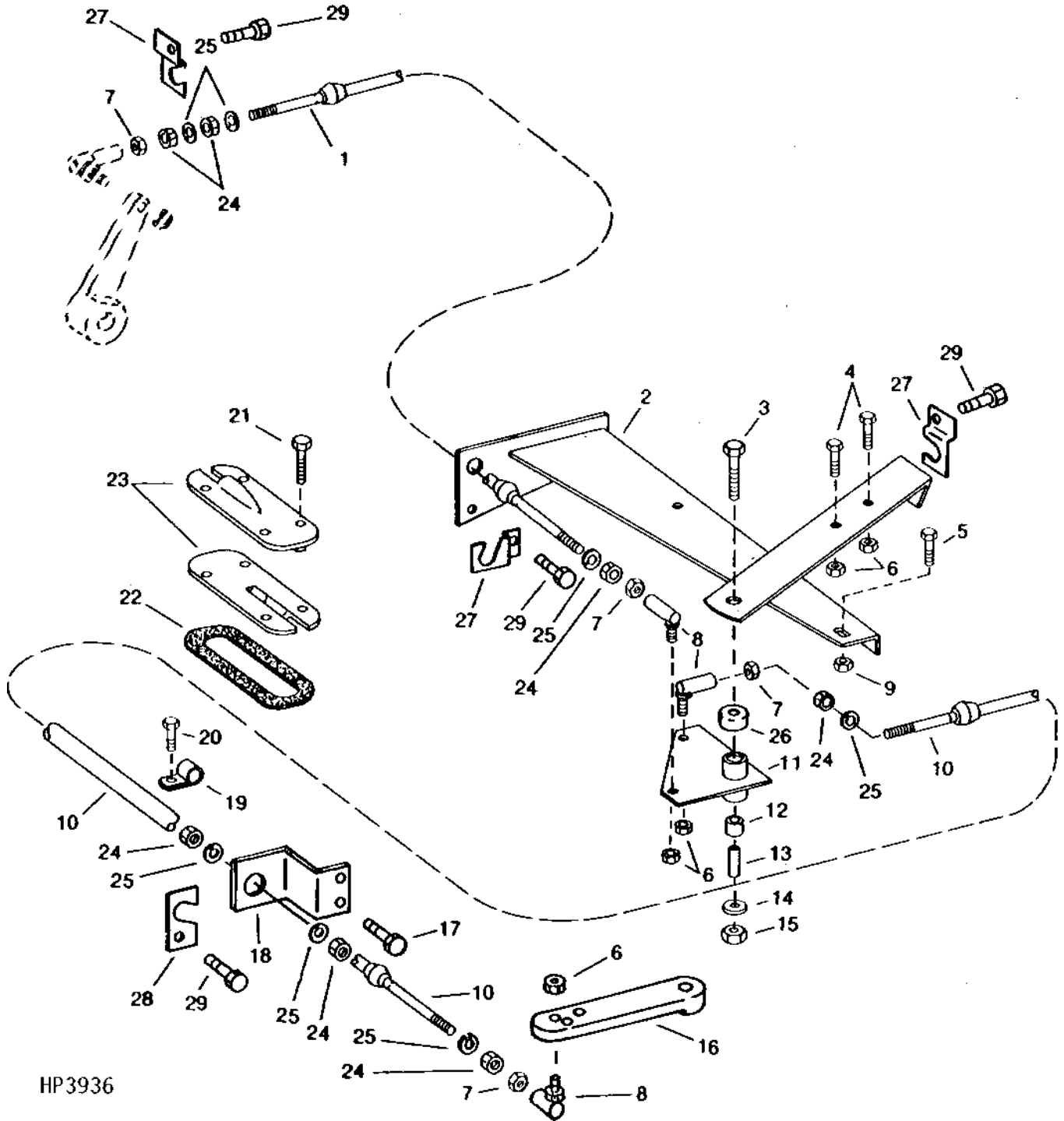
KEY	PART NO.	PART NAME	QTY	SERIAL NO.	S H 9 5 0 0	REMARKS
1	AH115281	KNOB	1		X X	W/O CONTOUR MASTER
	AH145061	KNOB	1	660201-	X	W/CONTOUR MASTER
2A	AH140161	SWITCH	1		X X	(SUB FOR AH114978) REEL/HEADER LIFT W/O CONTOUR MASTER
2B	AH145060	SWITCH	1	660201-	X	REEL/HEADER LIFT W/CONTOUR MASTER
3	T12033	SNAP RING	1		X X	
4	H129749	LOCK	1		X X	
5	AH124940	LEVER	1		X X	
6	122SE	SPRING	2		X X	
7	H119007	SCREW	1		X X	M8 X 49
8	H128557	RETAINER	1		X X	
9	H128536	BASE	1		X X	
10	H77739	WASHER	1		X X	16.662 X 38.100 X 1.520 MM (21/32" X 1-1/2" X 0.060")
11A	H119008	SHAFT	1	-640200	X	
11B	H144184	SHAFT	1	640201-	X X	
12	H168989	ARM	1		X X	(SUB FOR H143891)
13	19M7866	SCREW	1		X	M8 X 20
14	H168961	LOCK NUT	1		X X	M6
15	AH115487	BALL JOINT	1		X X	
16	AH135844	PUSH PULL CABLE	1		X X	(SUB FOR AH122352)
17A	AH116902	CONNECTOR	1	-660200	X X	CONNECTS TO HYDRO HANDLE SWITCHES (6 PIN)
17B	H151161	CONNECTOR	1	660201-	X X	CONNECTS TO HYDRO HANDLE SWITCHES (9 PIN)
18	14M7152	NUT	1		X X	M10
19	H95368	SPRING	1		X X	

4C9

HYDROSTATIC DRIVE CONTROL CABLES

(-645200)

HP3936 -UN-01JAN94



HP3936

4C10

POWER TRAIN

HYDROSTATIC DRIVE CONTROL CABLES - CONTINUED
(-645200)

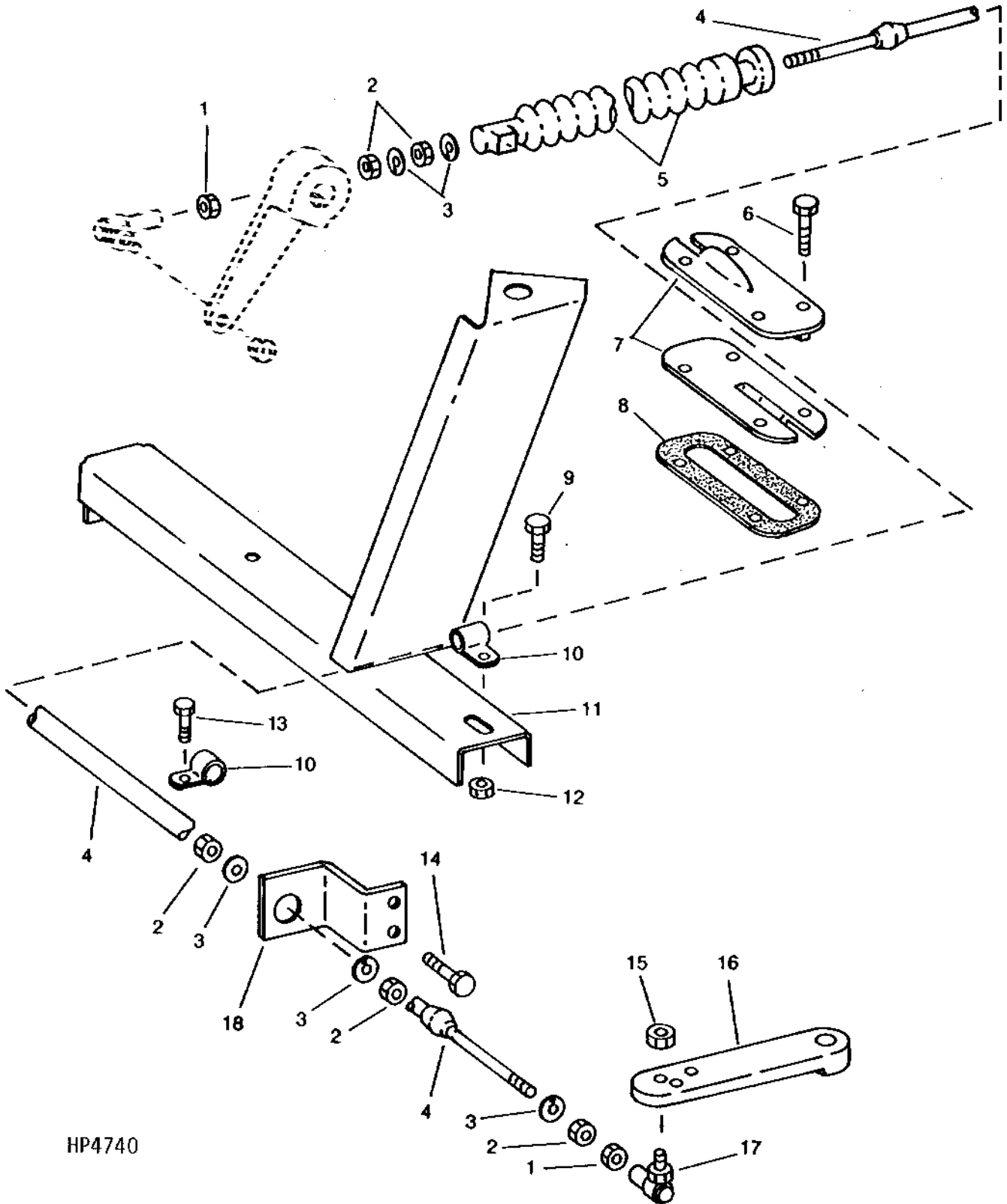
KEY	PART NO.	PART NAME	QTY	SERIAL NO.	S H 9 5 0 0 0 0	REMARKS
1	AH135844	PUSH PULL CABLE	1		X	(SUB FOR AH122352)
2	AH135808	SUPPORT	1		X	(SUB FOR AH126402)
3	19M7808	SCREW	1		X	M10 X 65
4	19M7862	SCREW	2		X	M6 X 20
5	19M7865	SCREW	1		X	M8 X 16
6	14M7303	FLANGE NUT	5		X	M6
7	14M7272	NUT	3		X	M6
8	AH106933	BALL JOINT	1		X	
9	14M7298	FLANGE NUT	1		X	M8
10	AH135845	PUSH PULL CABLE	1	-640200	X	(SUB FOR AH121606)
	AH138048	CABLE	1	640201-	X	
11	AH122250	BELLCRANK	1		X	
12	H125517	BEARING	1		X	
13	H136575	SPACER	1		X	10.500 X 15.880 X 43 MM (0.413" X 0.625" X 1.693")
14	24M7178	WASHER	1		X	10.500 X 30 X 2.500 MM
15	14M7296	FLANGE NUT	1		X	M10
16	H168988	LEVER	1		X	(SUB FOR H126583)
17	19M7867	SCREW	2		X	M8 X 25
18	H142044	SUPPORT	1		X	(SUB FOR H126586 OR H141350) SINGLE REDUCTION FINAL DRIVES ONLY
19	AH80916	CLIP	2		X	
20	37M7092	SCREW	1	-640200	X	M8 X 16
	37M7058	SCREW	1	640201-	X	M8 X 20
21	37M7131	SCREW	1		X	M6 X 20
22	H126123	GASKET	1		X	
23	H126124	CLAMP	2		X	
24	14M7260	NUT	5		X	M16
25	24M7241	WASHER	5		X	17 X 34 X 4 MM
26	H132011	COVER	1		X	
27	H141386	RETAINER	3	632151-635553	X	
28	H141387	RETAINER	1	632151-635553	X	
29	37M7089	SCREW	4		X	M6 X 12, DROP, THIS APPLICATION ONLY

4C11

POWER TRAIN

HYDROSTATIC DRIVE CONTROL CABLE

(645201-)
HP4740 -UN-01JAN94



HP4740

4C12

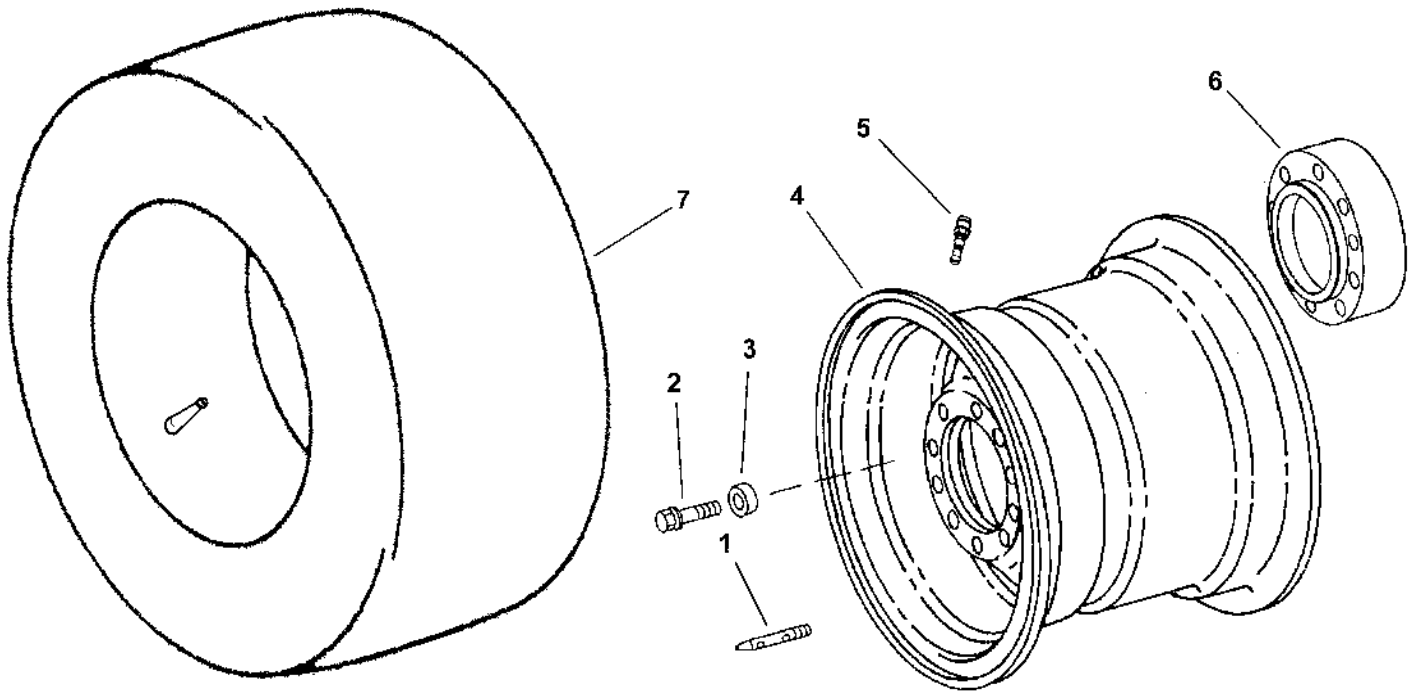
POWER TRAIN

HYDROSTATIC DRIVE CONTROL CABLE - CONTINUED
(645201-)

KEY	PART NO.	PART NAME	QTY	SERIAL NO.	S H 9 9 5 5 0 0 0 0	REMARKS
1	14M7272	NUT	2		X X	M6
2	14M7260	NUT	5		X X	M16
3	24M7241	WASHER	5		X X	17 X 34 X 4 MM
4	AH138048	CABLE	1		X X	
5	H143445	BOOT	1		X X	
6	37M7131	SCREW	4		X X	M6 X 20
7	H126124	CLAMP	2		X X	
8	H126123	GASKET	1		X X	
9	19M7868	SCREW	1		X X	M8 X 30
10	AH80916	CLIP	3		X X	
11	AH136362	SUPPORT	1		X X	
12	14M7298	FLANGE NUT	1		X X	M8
13	37M7058	SCREW	1		X X	M8 X 20
14	19M7867	SCREW	2		X X	M8 X 25
15	14M7303	FLANGE NUT	1		X X	M6
16	H168988	LEVER	1		X X	(SUB FOR H126583)
17	AH106933	BALL JOINT	2		X X	
18	H142044	SUPPORT	1		X X	

4C13

DRIVE WHEELS
HP7584 -UN-27JUL98



HP7584

4C14

POWER TRAIN

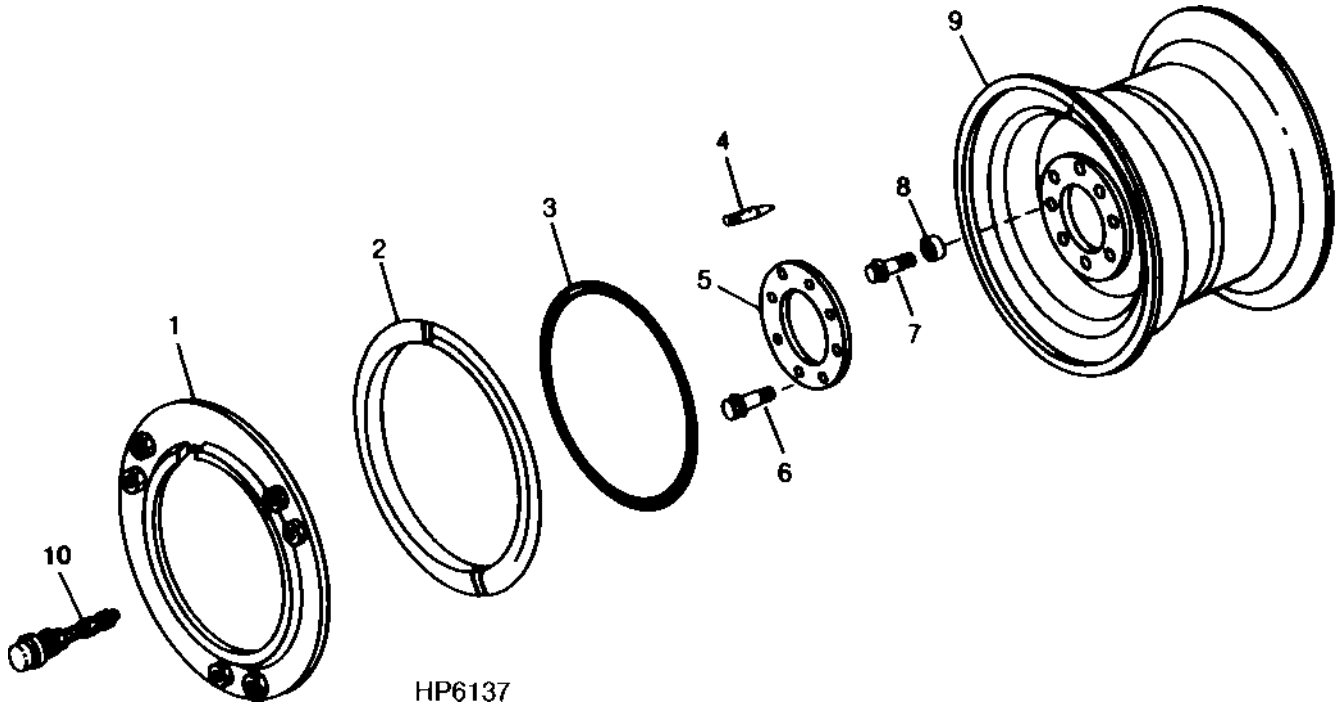
DRIVE WHEELS - CONTINUED

KEY	PART NO.	PART NAME	QTY	SERIAL NO.	S H 9 5 0 0	REMARKS
1	H138607	STUD	1		X X	20 X 205MM (0.787" X 8.07") (USE FOR WHEEL MOUNTING ONLY)
2	H134600	CAP SCREW	20		X X	M20 X 85
	H138606	CAP SCREW	20		X	20 X 170 MM (USE WITH H139320 ONLY)
3	H134114	SPACER	20		X X	21.500 X 50 X 28 MM (0.846" X 1.969" X 1.102")
4	AH132128	WHEEL	2	-642629	X X	(24.5 X 32 TIRES)
	AH141302	WHEEL	2	642630-	X	(24.5 X 32 TIRES)
	AH139779	WHEEL	2		X	(SUB FOR AH130900) (20.8 X 38 TIRES) (12 PLY-R1)
	AH139554	WHEEL	2	-660200	X	(20.8 X 38 TIRES) (14 PLY-R1)
	AH132116	WHEEL	2		X	30.5L X 32 - 16 PLY PLANETARY
	AH147545	WHEEL	2		X X	(SUB FOR AH145622) (68 X 50-32 - 16 PLY TIRES)
	AH156626	WHEEL	2		X X	(30.5L X 32 TIRES) (14 PLY MAX.) (SUB FOR AH133844)
5	AT25226	TIRE VALVE STEM	1		X X	(USE WITH TUBELESS TIRES)
6	H139320	BUSHING	2		X	(100 MM) (OPTIONAL)
7	H83135	TUBE	2	3NOV97-	X X	30.5 X 32 (SERVICE ONLY FOR RUSSIA AND UKRAINE)
..	H134442	LABEL	2		X X	"IMPORTANT" WHEEL BOLT TORQUE
..	H140709	LABEL	2		X X	"IMPORTANT" 26 PSI (182 KPA) (24.5 X 32-10 PLY,OR 30.5L X 32-12 PLY TIRES)
..	H116640	LABEL	2		X X	"IMPORTANT" 32 PSI(225 KPA)(24.5 X 32-12 PLY)
..	H108604	LABEL	2		X X	"IMPORTANT" 20 PSI (140 KPA)(30.5L X 32-10 OR 35.5L X 32-12 PLY TIRES)
..	H140711	LABEL	2	-660200	X	"IMPORTANT" 36 PSI(248 KPA)(20.8 X 38-12 PLY)
..	H140711	LABEL	2	661186-	X	"IMPORTANT" WHEEL BOLT TORQUE W/100 MM SPACER
..	H140750	LABEL	1		X	(30.5L X 32-14 PLY TIRES) EXPORT ONLY-FRACE
..	H139603	LABEL	2		X	"IMPORTANT" WHEEL BOLT TORQUE W/ 100MM SPACER
..	H141877	LABEL	4		X	"IMPORTANT" WHEEL
..	H145627	DECAL	2	-660200	X	"IMPORTANT" 42 PSI(300 KPA)(20.8 X 38-14 PLY)
..	H140710	LABEL	2		X	"IMPORTANT" 34 PSI(30.5L X 32-16 PLY)
..	BH71912	COMPLETE GOODS/SHIP. BUNDLE	1		X X	WHEEL HUB SPACER

4C15

HIGH FLOATATION DRIVE WHEELS

(660201-)
 HP6137 -UN-23AUG95

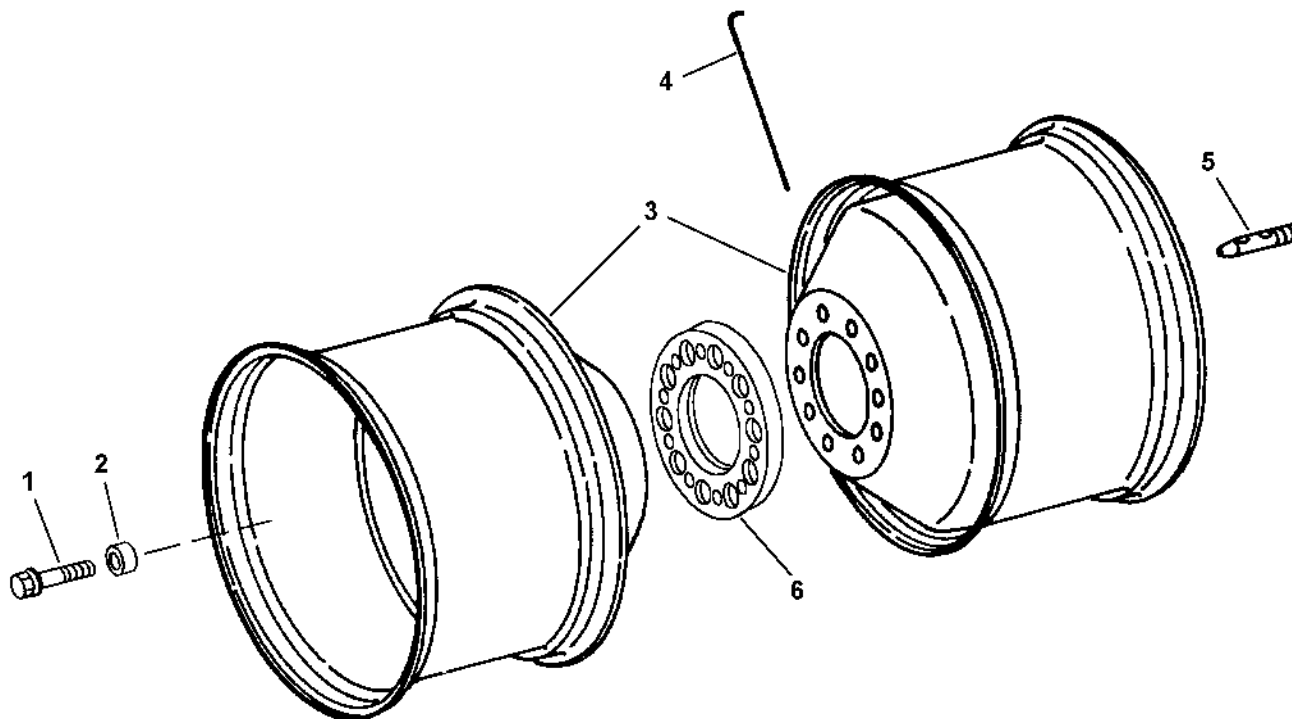


KEY	PART NO.	PART NAME	QTY	SERIAL NO.	S H 9 5 0 0 0 0	REMARKS
1	AH147544	FLANGE	1		X	(SUB FOR AH145623)
2	H105822	RING	1		X	
3	H111500	O-RING	1		X	
4	H138607	STUD	1		X	
5	H89431	RING	1		X	
6	19H3343	CAP SCREW	8		X	15.875 X 50.800 MM (5/8" X 2")
7	H134600	CAP SCREW	10		X	M20 X 85
8	H134114	SPACER	10		X	21.500 X 50 X 28 MM (0.846" X 1.969" X 1.102")
9	AH147545	WHEEL	1		X	(SUB FOR AH145622) 68 X 50-32 - 16 PLY HIGH FLOATATION TIRES
10	AT36212	TIRE VALVE STEM	1	661745-	X	

4C16

WIDE-SPACED DUAL WHEELS

HP7465 -UN-10MAR98



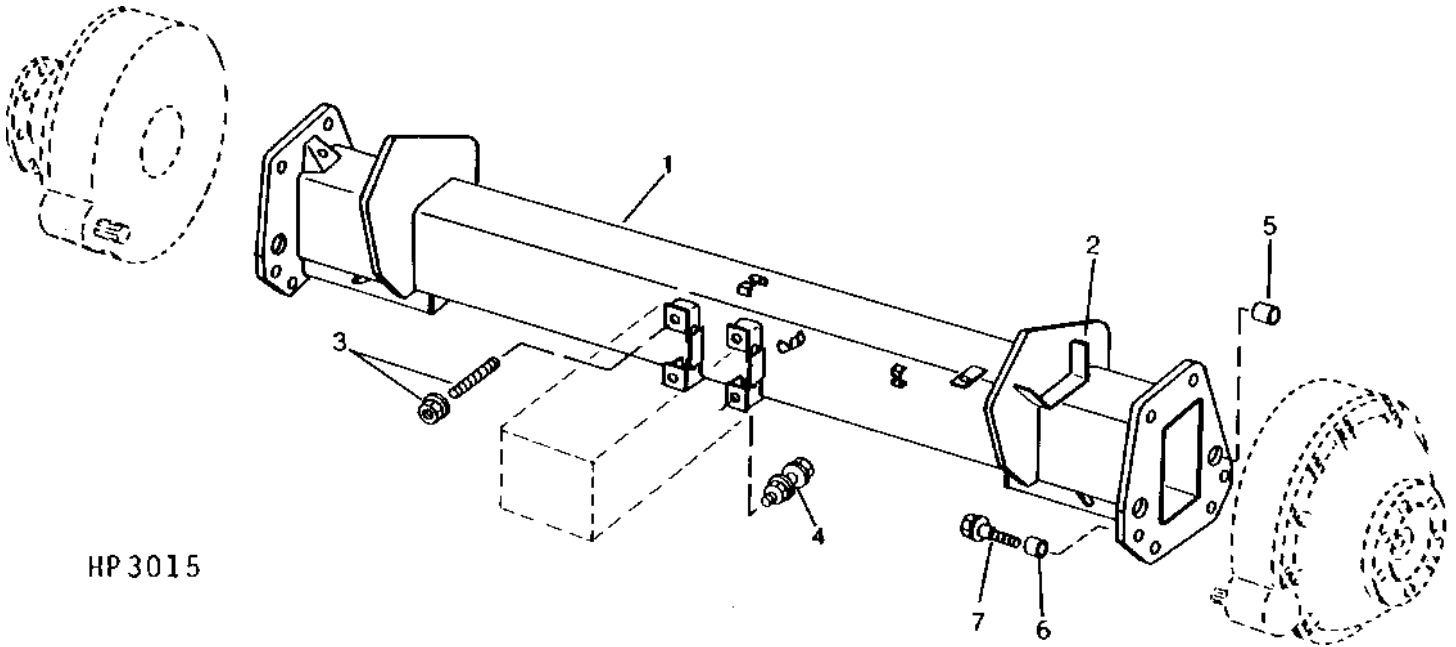
HP7465

KEY	PART NO.	PART NAME	QTY	SERIAL NO.	S H 9 5 0 0	REMARKS
1	H134600	CAP SCREW	10		X	M20 X 85
2	H134114	SPACER	10		X	21.500 X 50 X 28 MM (0.846" X 1.969" X 1.102")
3	AH130627	WHEEL	2		X	(18.4 R38 TIRES)
	AH140253	WHEEL	2		X	
4	H122063	PIN	1		X	
5	H138607	STUD	2		X	20 X 205MM (0.787" X 8.07") (USE FOR WHEEL MOUNTING ONLY)
6	N276699	SPACER	1		X	
..	H122573	DECAL	2	-671162	X	"CAUTION" REMOVING DUAL WHEELS
..	H134442	LABEL	2		X	"IMPORTANT" WHEEL BOLT TORQUE
..	H108605	LABEL	2		X	(SUB FOR H111537) "IMPORTANT" 165 KPA (24 PSI) (18.4 X R38 TIRES)
..	H158975	DECAL	2	671163-	X	
..	BH80408	COMPLETE GOODS/SHIP. BUNDLE	1			DUAL WHEELS
..	BH80878	COMPLETE GOODS/SHIP. BUNDLE	1			DUAL WHEELS

NOTE: QUANTITIES SHOWN ARE FOR ONE UNIT. TWO UNITS USED PER MACHINE.

4C17

**FRONT AXLE
(RING AND PINION FINAL DRIVE)**
HP3015 -UN-01JAN94



HP3015

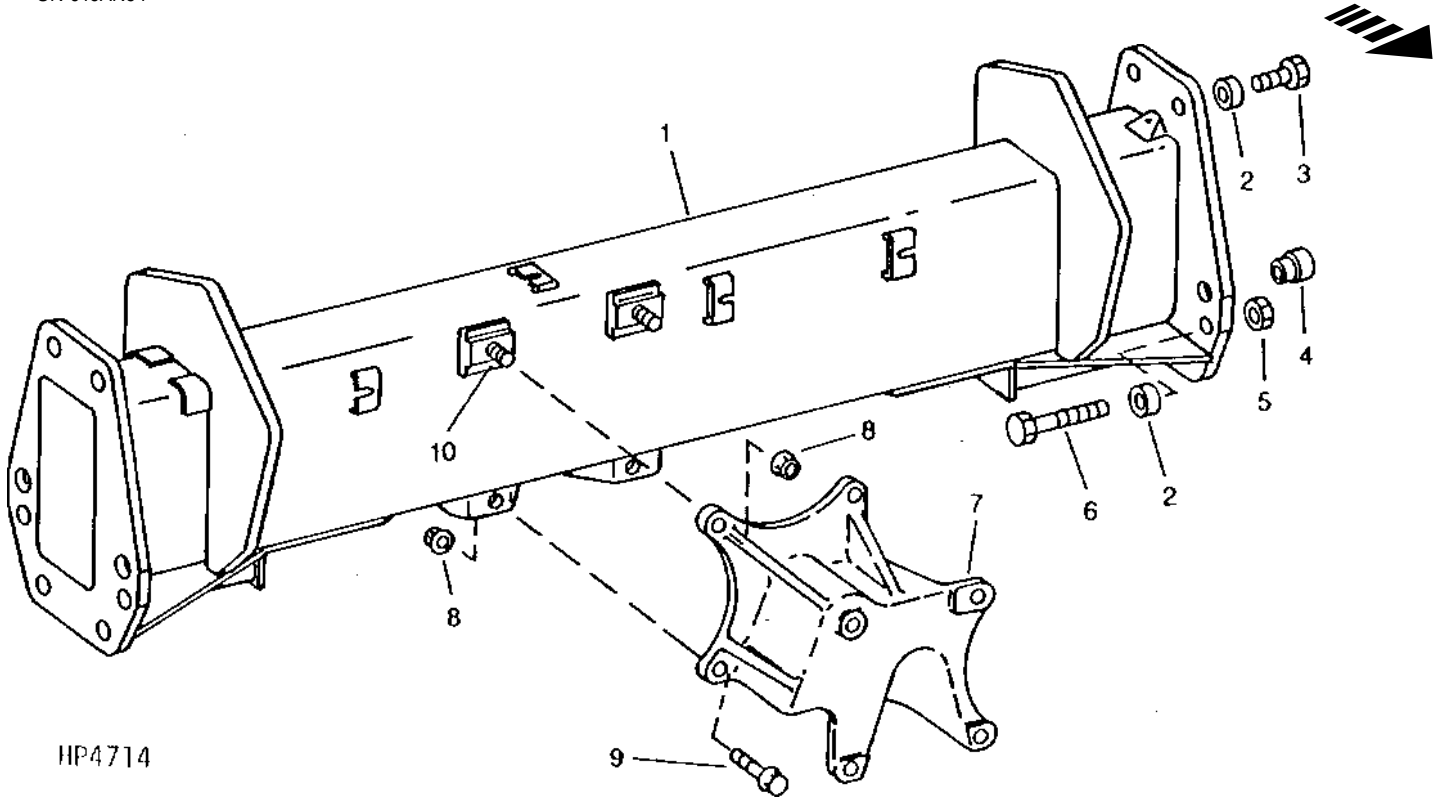
KEY	PART NO.	PART NAME	QTY	SERIAL NO.	S H 9 5 0 0 0 0	REMARKS
1	AH128045	FRONT AXLE	1	-642629	X	(SUB AH139233 AND H145553 AND H145554)
	AH139233	FRONT AXLE	1		X	NO LONGER AVAILABLE
2	H132126	PLATE	2		X	(REQUIRED WITH AXLE REPLACEMENT) NO LONGER AVAILABLE
3	42M7028	STUD	2		X	M16 X 75
	14M7291	FLANGE NUT	2		X	M16 FLANGE
4	H107504	BOLT	2		X	M16 X 70
	14M7291	FLANGE NUT	2		X	M16 FLANGE
5	H87691	BUSHING	4		X	9.652 X 28.956 X 35.052 MM (0.380" X 1.140" X 1.380")
6	H156127	SLEEVE	12		X	21.500 X 45 X 22 MM (0.846" X 1.772" X 0.866") (SUB FOR H116333)
7	19M7831	SCREW	12	-666240	X	M20 X 80
	19M7892	CAP SCREW	12	666241-	X	M20 X 80

4C18

POWER TRAIN

**FRONT AXLE (SIDEHILL)
(RING AND PINION FINAL DRIVE)**

HP4714 -UN-01JAN94



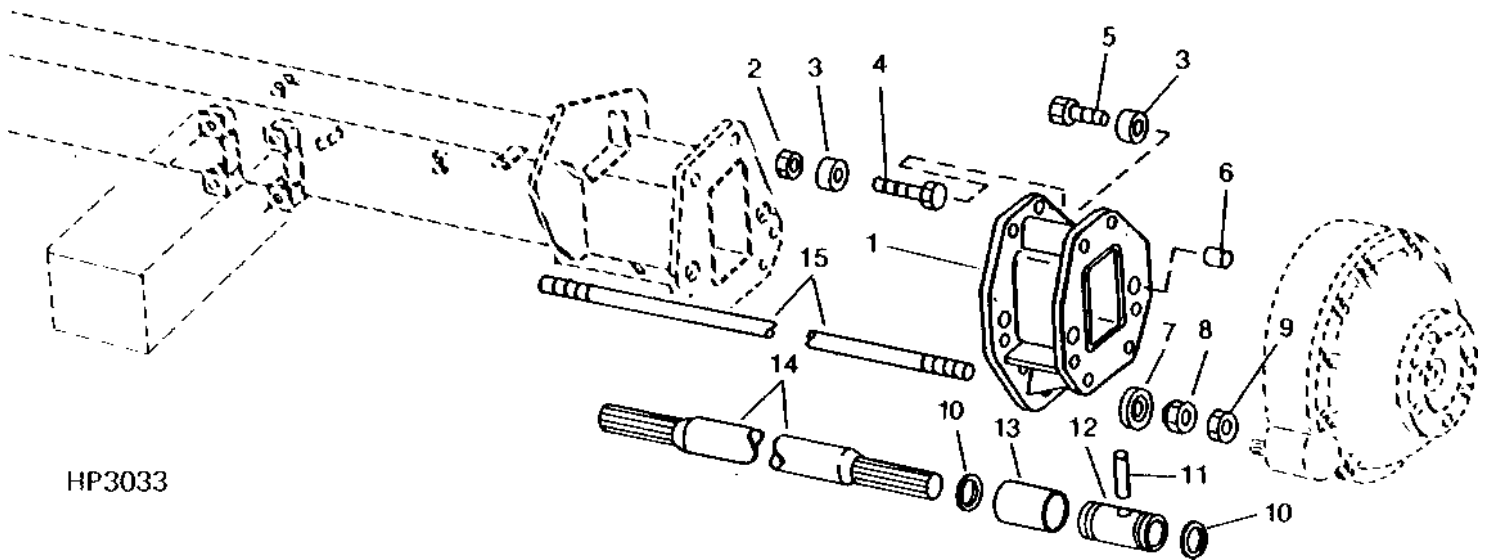
HP4714

S
H
9 9
5 5
0 0
0 0

KEY	PART NO.	PART NAME	QTY	SERIAL NO.	REMARKS
1	AH137624	FRONT AXLE	1		X NO LONGER AVAILABLE
2	H144168	SPACER	8		X 25.400 X 45 X 20 MM (1" X 1.772" X 0.787")
3	19M8287	CAP SCREW	2		X M24 X 80
4	H87691	BUSHING	2		X 9.652 X 28.956 X 35.052 MM (0.380" X 1.140" X 1.380")
5	14M7278	NUT	4		X M24
6	19M7782	CAP SCREW	4		X M24 X 180
7	H145954	ADAPTER	1		X
8	14M7291	FLANGE NUT	4		X M16
9	19M7824	SCREW	2	-647059	X M16 X 60
	H107504	BOLT	6	647060-	X M16 X 70
10	42M7028	STUD	2		X M16

4C19

AXLE SPACERS (RING AND PINION FINAL DRIVE)
HP3033 -UN-01JAN94



HP3033

4C20

POWER TRAIN

AXLE SPACERS (RING AND PINION FINAL DRIVE) - CONTINUED

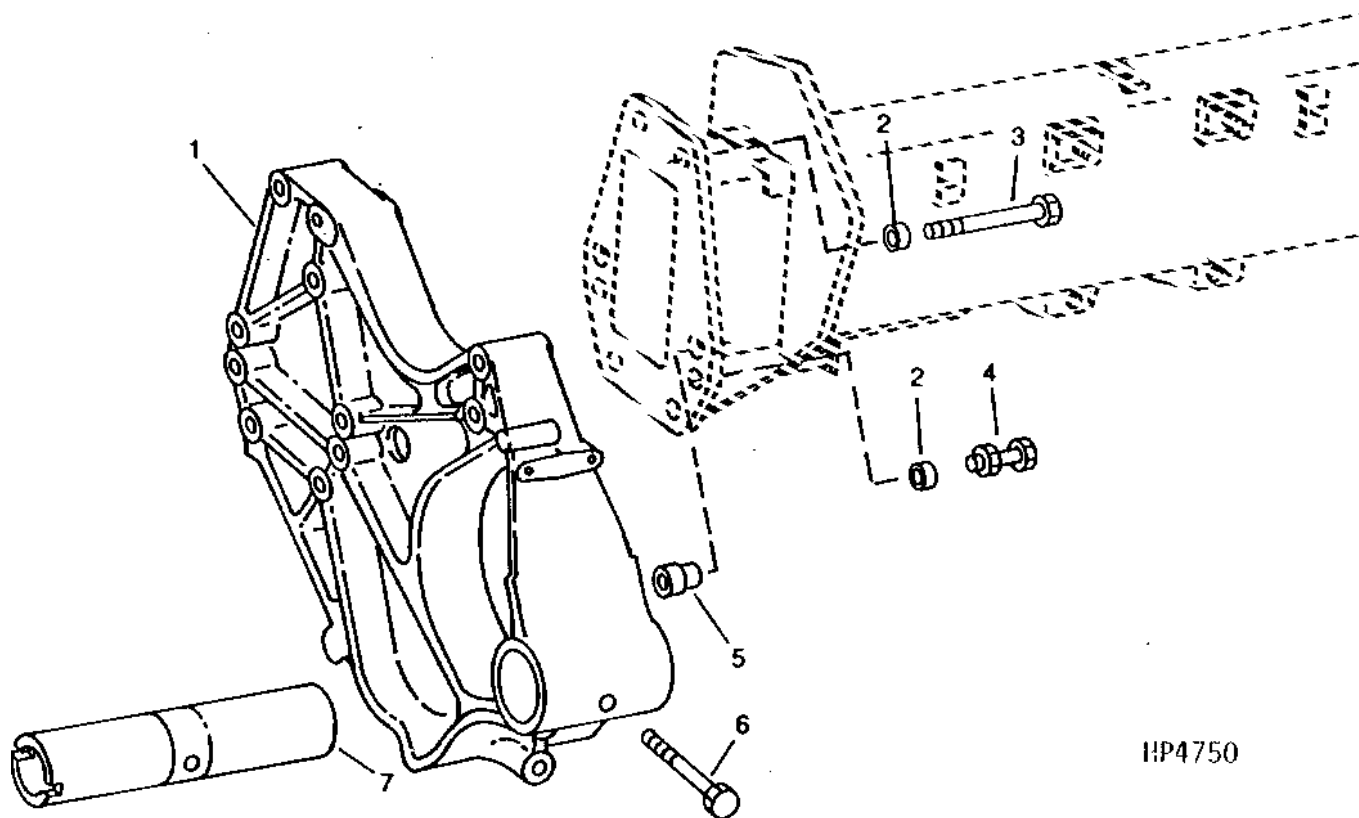
KEY	PART NO.	PART NAME	QTY	SERIAL NO.	S H 9 5 0 0	REMARKS
1	H168166	SPACER	2		X	(SUB FOR AH142139 OR AH125588) 16"(400 MM)
	H168744	SPACER	2		X	(SUB FOR AH142158 OR AH125587) 12"(300 MM)
	H168745	SPACER	2		X	(SUB FOR AH125589) 18"(454 MM)
2	14M7300	FLANGE NUT	12		X	M20
3	H156127	SLEEVE	24		X	21.500 X 45 X 22 MM (0.846" X 1.772" X 0.866") (SUB FOR H116333)
4	19M7832	SCREW	12	-666240	X	M20 X 100
	19M7963	CAP SCREW	12	666241-	X	M20 X 100
5	19M7896	SCREW	12	-666240	X	M20 X 90
	19M8147	CAP SCREW	12	666241-	X	M20 X 90
6	H87691	BUSHING	8		X	9.652 X 28.956 X 35.052 MM (0.380" X 1.140" X 1.380")
7	H130287	SPACER	2		X	36 X 69.850 X 14 MM (1.417" X 2-3/4" X 0.551")
8	H130288	NUT	2		X	M30
9	14M7431	NUT	2		X	M30
10	H133229	SNAP RING	4		X	
11	H131754	PIN	2		X	10 X 52 MM (0.394" X 2.047")
12	H165510	SPLINED COUPLING	2		X	(SUB FOR H133230)
13	H134444	SLEEVE	2		X	55.500 X 60.300 X 85.100 MM (2.185" X 2.374" X 3.350")
14	H165663	SHAFT	2		X	400 MM, (SUB FOR H133246)
	H165664	SHAFT	2		X	454 MM, (SUB FOR H133248)
	H165662	SHAFT	2		X	300 MM, (SUB FOR H133244)
15	H130286	STUD	1	-642629	X	
	H133635	STUD	1	642630-	X	
..	BH81704	COMPLETE GOODS/SHIP. BUNDLE	2		X	(400 MM) AXLE SPACER
..	BH81705	COMPLETE GOODS/SHIP. BUNDLE	2		X	(300 MM) AXLE SPACER
..	BH81706	COMPLETE GOODS/SHIP. BUNDLE	2		X	(454 MM) AXLE SPACER

4C21

POWER TRAIN

FINAL DRIVE INNER CASTING AND PIVOT TUBE (SIDEHILL) (RING AND PINION)

HP4750 -UN-01JAN94



HP4750

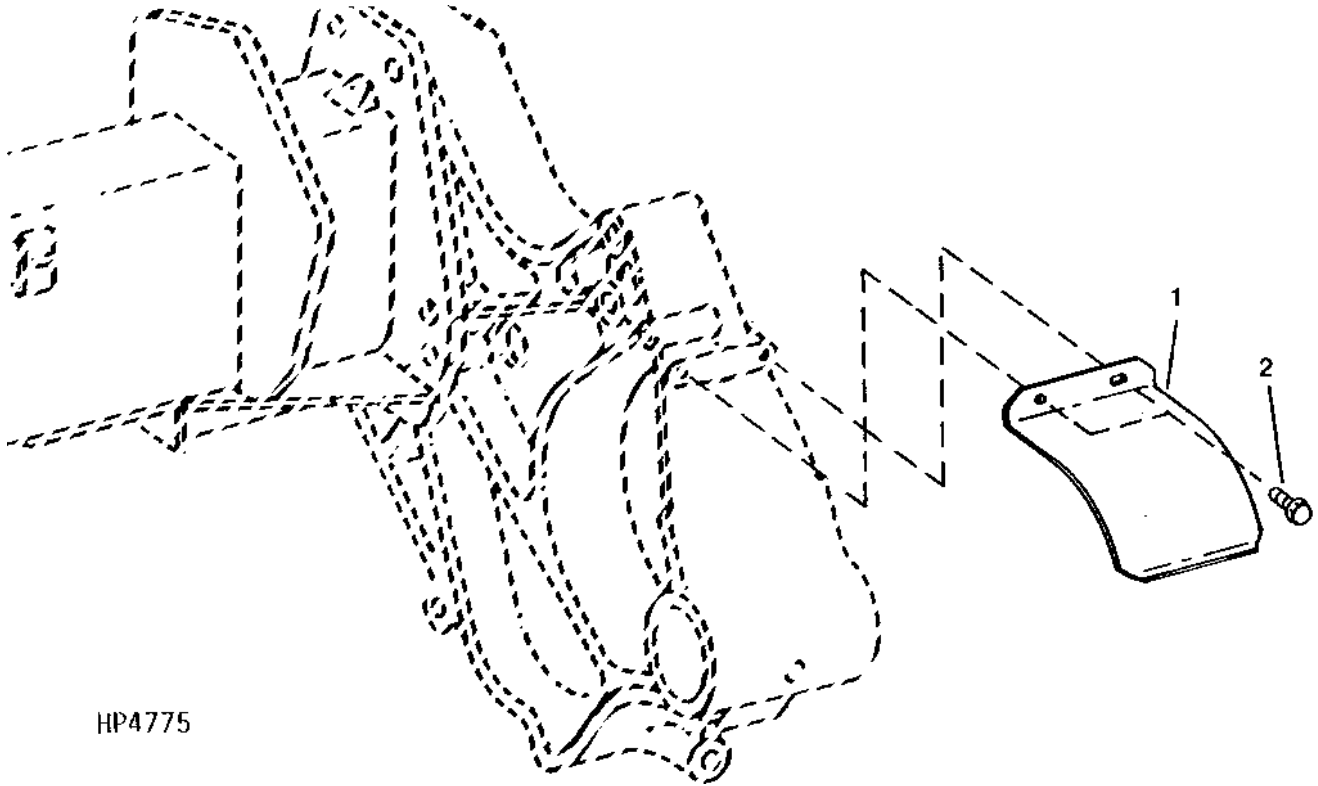
S
H
9 9
5 5
0 0
0 0

KEY	PART NO.	PART NAME	QTY	SERIAL NO.	REMARKS
1	H144022	FRONT AXLE SUPPORT	1	X	LEFT-HAND
	H144023	FRONT AXLE SUPPORT	1	X	RIGHT-HAND
2	H144168	SPACER	5	X	25.400 X 45 X 20 MM (1" X 1.772" X 0.787")
3	19M8287	CAP SCREW	1	X	M24 X 80
4	19M7782	CAP SCREW	5	X	M24 X 180
	14M7278	NUT	5	X	M24
5	H87691	BUSHING	2	X	9.652 X 28.956 X 35.052 MM (0.380" X 1.140" X 1.380")
6	19M7645	SCREW	1	X	M20 X 200
7	H141704	PIVOT	1	X	

NOTE: QUANTITIES SHOWN ARE FOR ONE UNIT. TWO UNITS ARE REQUIRED.

FINAL DRIVE SUPPORT SHIELD (SIDEHILL)

HP4775 -UN-01JAN94



HP4775

KEY	PART NO.	PART NAME	QTY	SERIAL NO.	S H 9 5 0 0	REMARKS
1	H145399	SHIELD	2		X	
2	19M7784	SCREW	4		X	M10 X 20

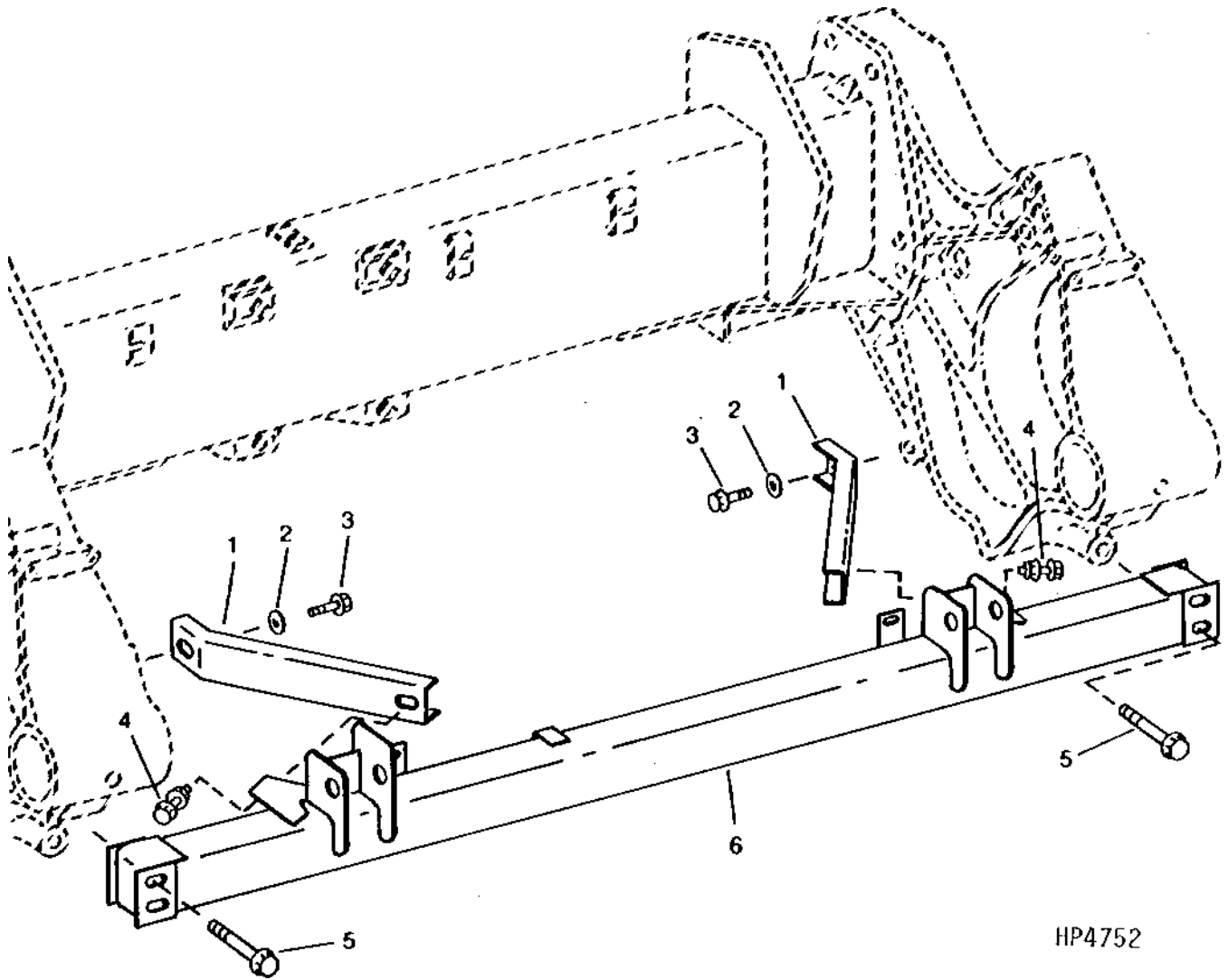
NOTE: QUANTITIES SHOWN ARE FOR ONE UNIT. TWO UNITS ARE REQUIRED.

4C23

POWER TRAIN

HEADER LIFT SUPPORT (SIDEHILL)

HP4752 -UN-01JAN94



4C24

POWER TRAIN

HEADER LIFT SUPPORT (SIDEHILL) - CONTINUED

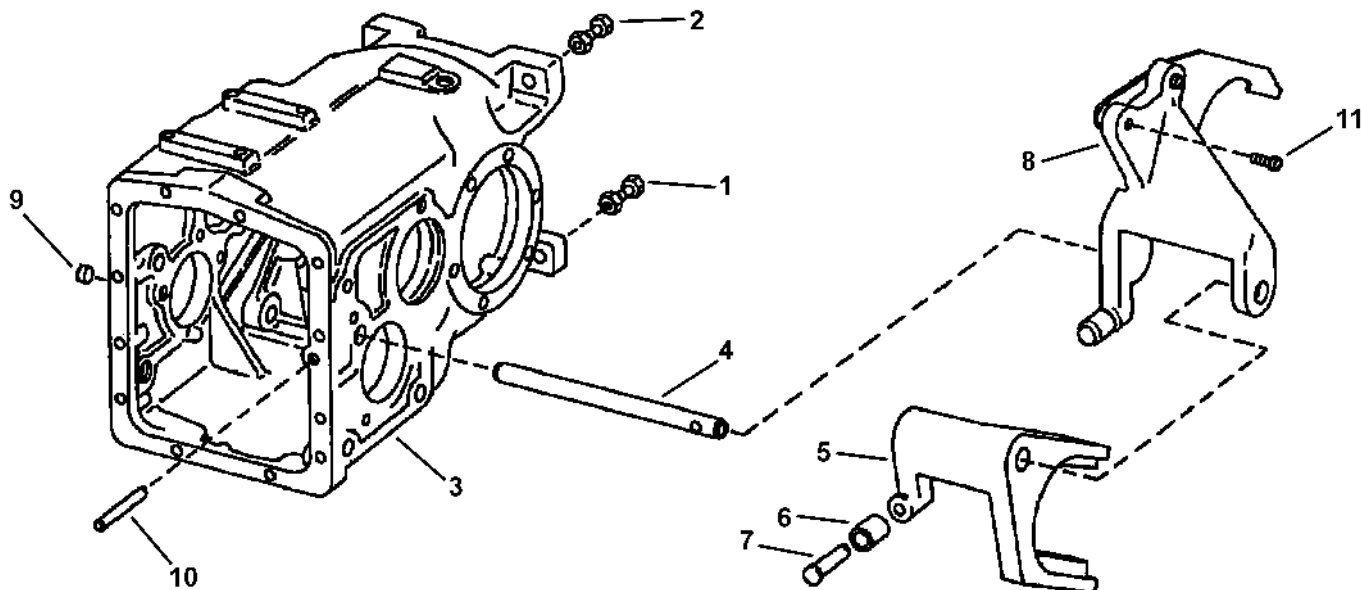
KEY	PART NO.	PART NAME	QTY	SERIAL NO.	S H 9 5 0 0	REMARKS
1	H144111	CHANNEL	2		X	
2	24M7242	WASHER	2		X	21.400 X 42 X 5 MM
3	19M7895	SCREW	2		X	M20 X 50
4	19M7895	SCREW	2		X	M20 X 50
	14M7300	FLANGE NUT	2		X	M20
5	19M7853	SCREW	4		X	M20 X 150
6	AH137893	SUPPORT	1		X	

4C25

POWER TRAIN

TRANSMISSION AND DIFFERENTIAL HOUSING AND SHIFTER FORKS

HP7492 -UN-02APR98

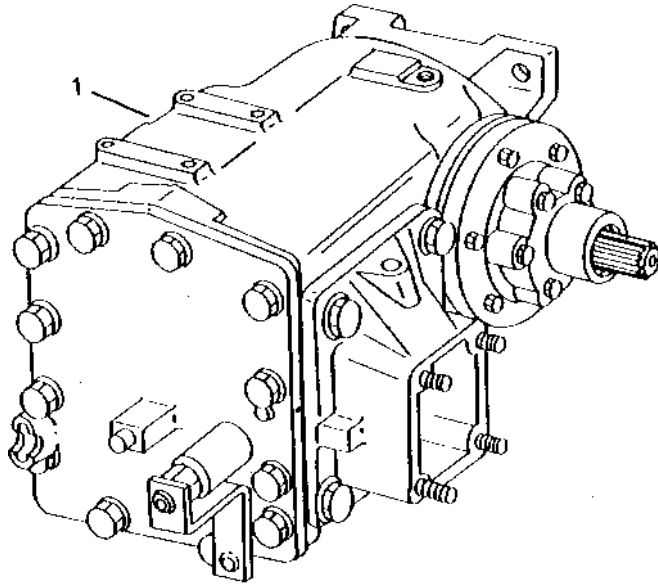


HP7492

KEY	PART NO.	PART NAME	QTY	SERIAL NO.	S	H	REMARKS
1	H107504	BOLT	2		X		M16 X 70
	19M7827	SCREW	4		X		M16 X 80
	14M7291	FLANGE NUT	4		X		M16
2	42M7028	STUD	2		X		
	14M7291	FLANGE NUT	2		X		M16
3	HOUSING	1		X	X	(ORDER AH140410)
4	H146640	RAIL	1		X	X	(SUB FOR H133352)
5	H135112	SHIFTER	1		X	X	
6	R26207	ROLLER	2		X	X	
7	H76152	PIN	2		X	X	9.512 X 27.686 MM (3/8" X 1.090")
8	AH122575	SHIFTER	1		X	X	
9	N102039	CAP	1		X	X	
10	T76836	PIN	1		X	X	10 X 74 MM (0.394" X 2.913")
	14M7291	FLANGE NUT	2		X	X	M16
11	19M7785	SCREW	3		X	X	M10 X 25
..	AH140410	KIT	1		X	X	3 SPEED TRANSMISSION HOUSING
..	TY16285	PRIMER	1		X		(SUB FOR TY6305)
..	TY9371	ADHESIVE	1		X	X	
..	TY6304	SEALANT	1		X	X	

4D1

TRANSMISSION
HP5722 -UN-01JAN94



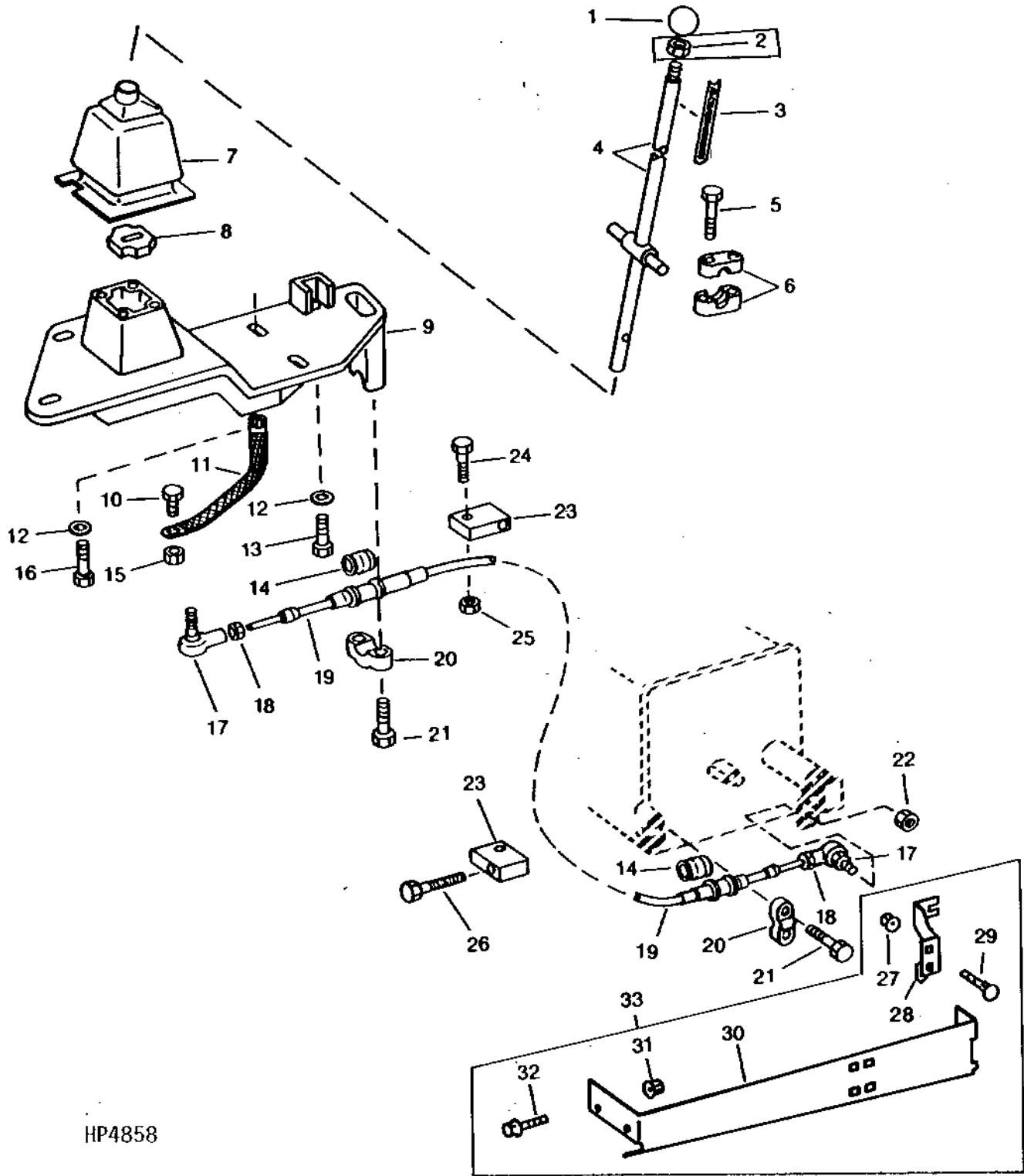
HP5722

KEY	PART NO.	PART NAME	QTY	SERIAL NO.	REMARKS
				S H 9 5 0 0	
1	AH158658	TRANSMISSION	1	X	(FOR RING AND PINION FINAL DRIVE ONLY) (SUB FOR AH136002 OR AH145611)
	AH158660	TRANSMISSION	1	X	(SUB FOR AH134903, AH137329 OR AH145614) (FOR RING AND PINION FINAL DRIVE ONLY)
	AH158662	TRANSMISSION	1	X	(SUB FOR AH137295, AH137795 OR AH145615) (EXPORT ONLY - AUSTRALIA)

4D2

GEARSHIFT LEVER AND LINKAGE

HP4858 -UN-01JAN94



HP4858

4D3

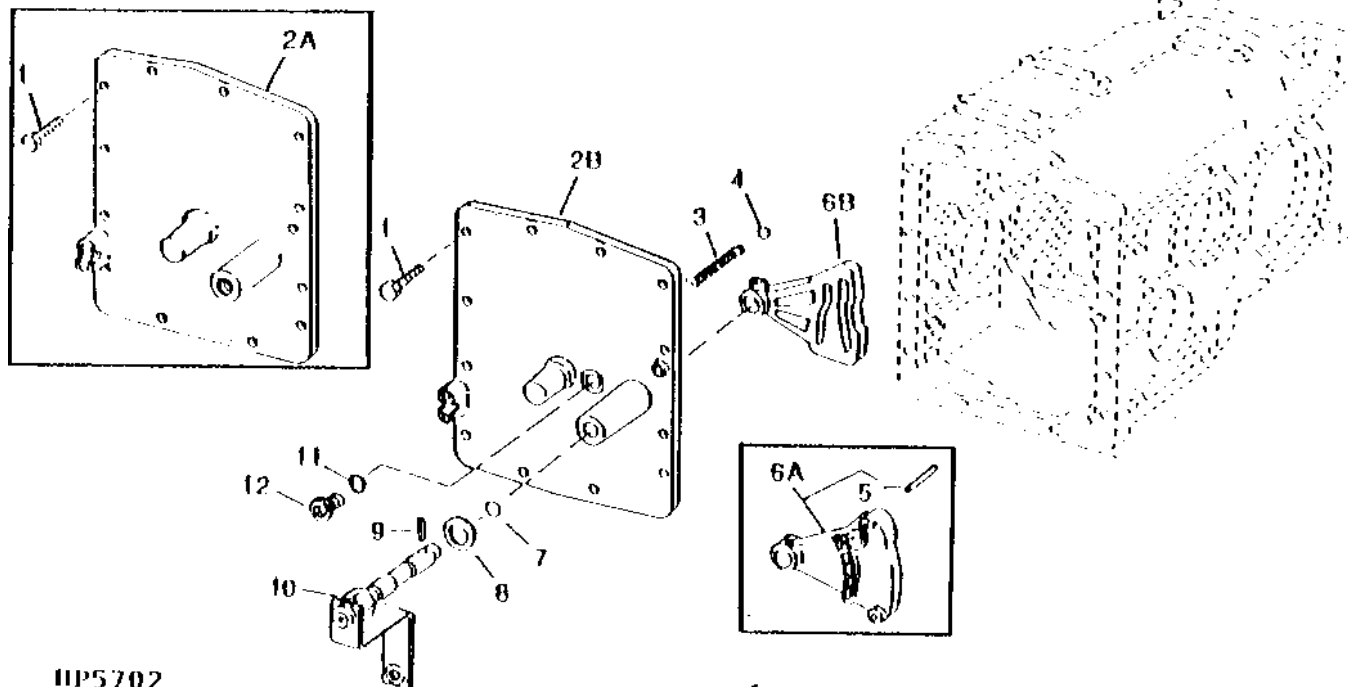
POWER TRAIN

GEARSHIFT LEVER AND LINKAGE - CONTINUED

KEY	PART NO.	PART NAME	QTY	SERIAL NO.	S H 9 9 5 5 0 0 0 0	REMARKS
1	H125518	KNOB	1		X X	USE TY9373 OR TY9478 OR TY9371 TO SECURE
2	14M7433	NUT	1	-636036	X	M10, (NO LONGER NEEDED)
3	H149068	LABEL	1		X X	(SUB FOR H134767) BRAKE
4	AH138707	ROD	1		X X	(SUB FOR AH135323)
5	19M8318	SCREW	4		X X	M8 X 45, ORDER AH125785
6	H131040	BEARING	4		X X	
7	H131041	BOOT	1		X X	
8	H133660	SEAL	1		X X	
9	H133636	HOUSING	1		X X	
10	19M7788	SCREW	1		X X	M12 X 25
11	AH125010	GROUND CABLE	1		X X	
12	24H1296	WASHER	5		X X	11/32" X 1-3/8" X 0.134"
13	19M8319	SCREW	1		X X	M8 X 50
14	H133662	ISOLATOR	2		X X	
15	14M7299	FLANGE NUT	1		X X	M12
16	19M7867	SCREW	4		X X	M8 X 25
17	AH125958	BALL JOINT	2		X X	
18	14M7274	NUT	2		X X	M10
19	AH128356	CABLE	1		X	
	AH128357	CABLE	1		X	
20	H133047	CLAMP	2		X X	
21	19M8291	SCREW	4		X X	M8 X 35
22	14M7296	FLANGE NUT	1		X X	M10
23	H112162	CLAMP	4	-642578	X	
	AH77724	CLIP	3	642579-	X X	
24	19M7799	SCREW	1	-642578	X	M8 X 45
	19M7867	SCREW	1	642579-	X X	M8 X 25
25	14M7298	FLANGE NUT	1		X X	M8
26	37M7149	SCREW	3	-642578	X	M8 X 50
	37M7058	SCREW	3	642579-	X X	M8 X 20
27	14M7400	LOCK NUT	2		X X	M10
28	SUPPORT	1		X X	(ORDER AH138329)
29	03M7190	BOLT	2		X X	M10 X 20
30	GUARD	1		X X	(ORDER AH138329)
31	14M7401	LOCK NUT	1		X X	M12
32	19M7788	SCREW	1	-646476	X X	M12 X 25
	19M7789	SCREW	1	646477-		M12 X 30
33	AH138329	KIT	1	640201-	X X	CABLE GUARD
..	TY9370	ADHESIVE	1		X X	6 OZ. MEDIUM STRENGTH (CANADA NUMBER TY9477)
..	TY9373	GASKET	1		X X	
..	TY9478	ADHESIVE	1		X X	
..	TY9371	ADHESIVE	1		X X	6 ML HIGH STRENGTH

TRANSMISSION AND DIFFERENTIAL HOUSING COVER, AND SHIFTER CAM

HP5702 -UN-01JAN94



HP5702

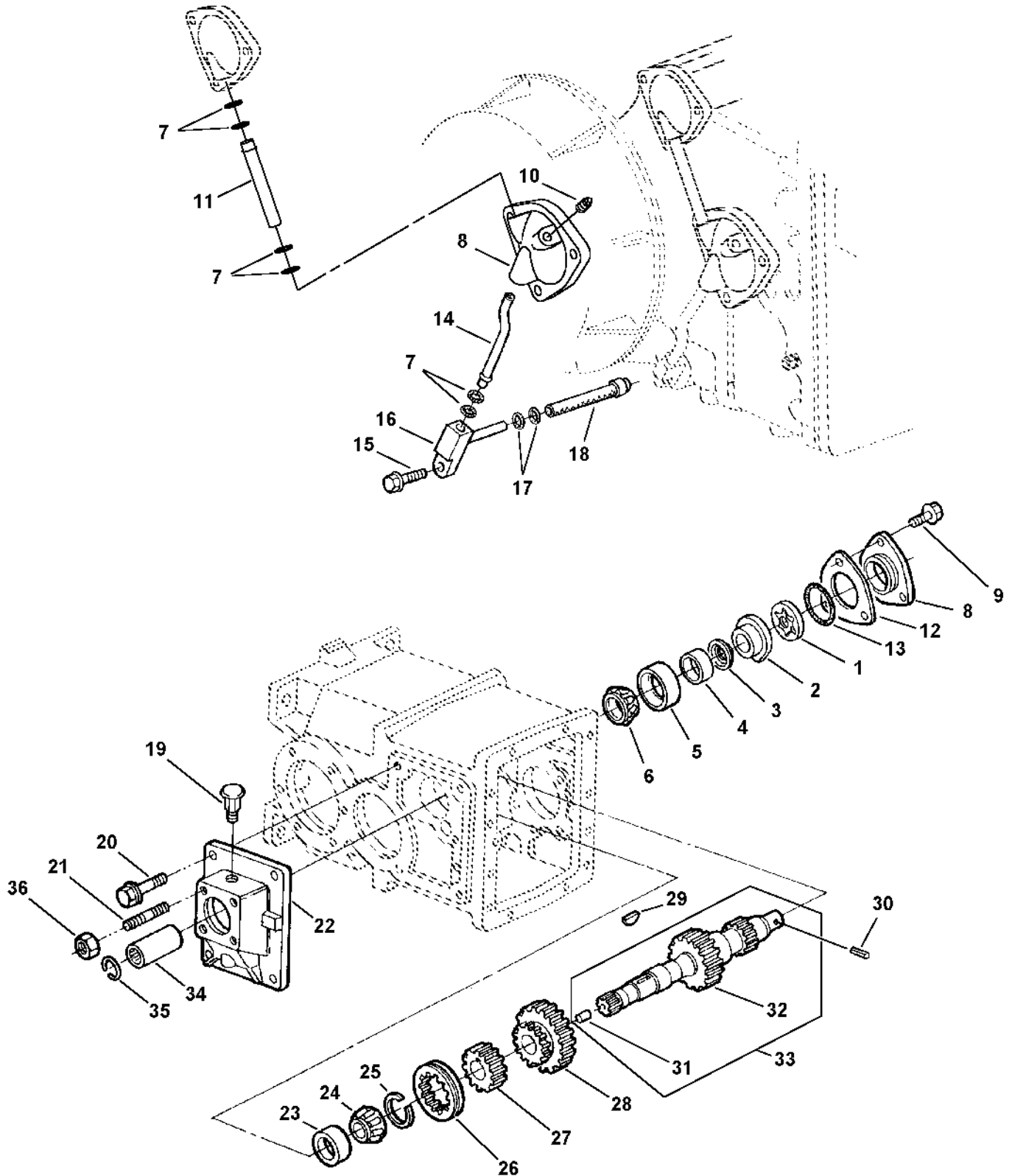
KEY	PART NO.	PART NAME	QTY	SERIAL NO.	S	H	REMARKS
1	19M7786	SCREW	12		X	X	M10 X 30
2A	H137334	COVER	1	-656294	X	X	
2B	N199920	COVER	1		X	X	
3	T27888	SPRING	1		X	X	
4	R1818R	BALL	1		X	X	19.050 MM (3/4")
5	34M7038	SPRING PIN	2	-640200	X		6 X 20 MM, WITH H137333 CAM ONLY
	25M3827	GROOVE PIN	2	29SEP7-	X	X	3 X 8 MM
6A	H137333	CAM	1	-640200	X		(SUB H136145)
6B	H136145	CAM	1		X	X	
7	R71144	O-RING	1		X	X	20.295 X 2.616 MM (0.799" X 0.103")
8	H75700	WASHER	1		X	X	25.806 X 44.298 X 3.404 MM (1-1/64" X 1.744" X 0.134")
9	34M7053	SPRING PIN	1		X	X	10 X 40 MM
10	AH128267	ARM	1		X	X	
11	R26375	O-RING	1	656295-	X	X	16.358 X 2.210 MM (0.644" X 0.087")
12	R33138	FITTING	1	656295-	X	X	

MEMORANDA

4D5

TRANSMISSION INPUT SHAFT, GEARS, LUBE PUMP AND BEARINGS

HP7499 -UN-15APR98



HP7499

4D6

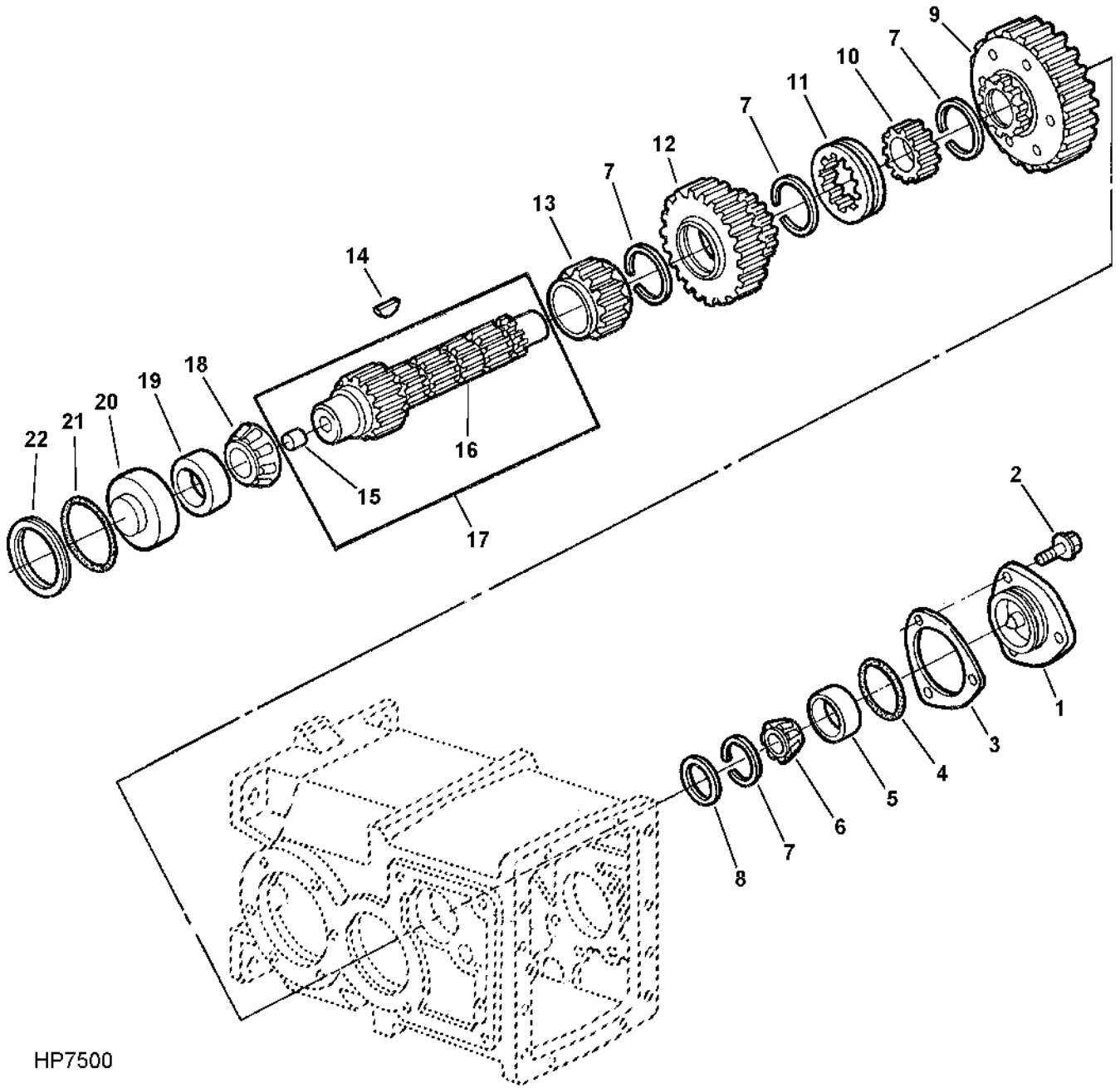
POWER TRAIN

TRANSMISSION INPUT SHAFT, GEARS, LUBE PUMP AND BEARINGS - CONTINUED

KEY	PART NO.	PART NAME	QTY	SERIAL NO.	S H 9 5 0 0	REMARKS
1	AH128528	ROTOR	1		X X	
2	H82234	PLATE	1		X X	LUBE PUMP PORT
3	H82232	WASHER	1		X X	54.610 X 63.119 X 0.889 MM (2.150" X 2.485" X 0.035") (WAVE TYPE)
4	H82233	BUSHING	1		X X	
5	JD8257	BEARING CUP	1		X X	
6	AR94761	BEARING CONE	1		X X	(SUB FOR JD8947)
7	R394R	O-RING	8		X X	12.370 X 2.616 MM (0.487" X 0.103")
8	H142030	HOUSING	1	637099-	X X	
9	19M7786	SCREW	3		X X	M10 X 30
10	15H253	PIPE PLUG	1	-673495	X	1/8"
	15H638	PIPE PLUG	1	673496-	X	1/8"
	15H253	PIPE PLUG	1	-670681	X	1/8"
	15H638	PIPE PLUG	1	670682-	X	1/8"
11	H131296	OIL TUBE	1		X X	
12	H132892	SHIM	AR		X X	0.076 (.003) THICK
	H132893	SHIM	AR		X X	0.127 (.005") THICK
	H132894	SHIM	AR		X X	0.508 (.02") THICK
13	U10776	O-RING	1	-637098	X	82.144 X 3.531 MM (3-15/64" X 0.139")
	T43514	GASKET	1	637099-	X X	PLASTIC GASKET
14	H131297	OIL TUBE	1		X X	HYDRO MOTOR MOUNTING BRACKET
15	19M8162	CAP SCREW	1		X X	M10 X 40
16	AH125228	FITTING	1		X X	
17	R495R	O-RING	2		X X	21.819 X 3.531 MM (55/64" X 0.139")
18	AH121580	SCREEN	1		X X	
19	AH20868	BREATHER	1		X X	
20	19M7844	SCREW	4		X X	M16 X 45
21	42M7029	STUD	4		X X	
22	H133165	BRACKET	1		X X	
23	JD8237	BEARING CUP	1		X X	
24	JD10182	BEARING CONE	1		X X	
25	P43969	SNAP RING	1		X X	
26	H129564	SHIFT COLLAR	1		X X	
27	H129565	SHIFT COLLAR	1		X X	THIRD GEAR
28	H129569	GEAR	1	-636231	X	(SUB H135943) 36 TOOTH, FOR 3RD GEAR
	H135943	GEAR	1		X X	36 TEETH
29	26M4228	SHAFT KEY	1		X X	8 X 28 MM
30	H75358	DOWEL PIN	1		X X	
31	H110539	ORIFICE	1		X X	
32	SHAFT	1		X X	
33	AH131861	PINION SHAFT	1		X X	
	AH137350	PINION SHAFT	1		X	EXPORT ONLY - AUSTRALIA
34	H129525	SPLINED COUPLING	1		X X	
35	M41029	SNAP RING	2		X X	
36	14M7299	FLANGE NUT	4		X X	M12
37	H142031	SLEEVE	1	637099-	X X	ALSO USED FOR SUB ON AH131699
..	TY9371	ADHESIVE	1		X X	HIGH STRENGTH 6 ML (0.2 OZ) TUBE
..	TY6304	SEALANT	1		X X	
..	AH131699	OIL PUMP	1	-637098	X	SUB AH128528, H82234, H82233, H82232, JD8257, H142031, H142030 AND TY6304

4D7

TRANSMISSION PINION SHAFT, GEARS AND BEARINGS
HP7500 -UN-30MAR98



HP7500

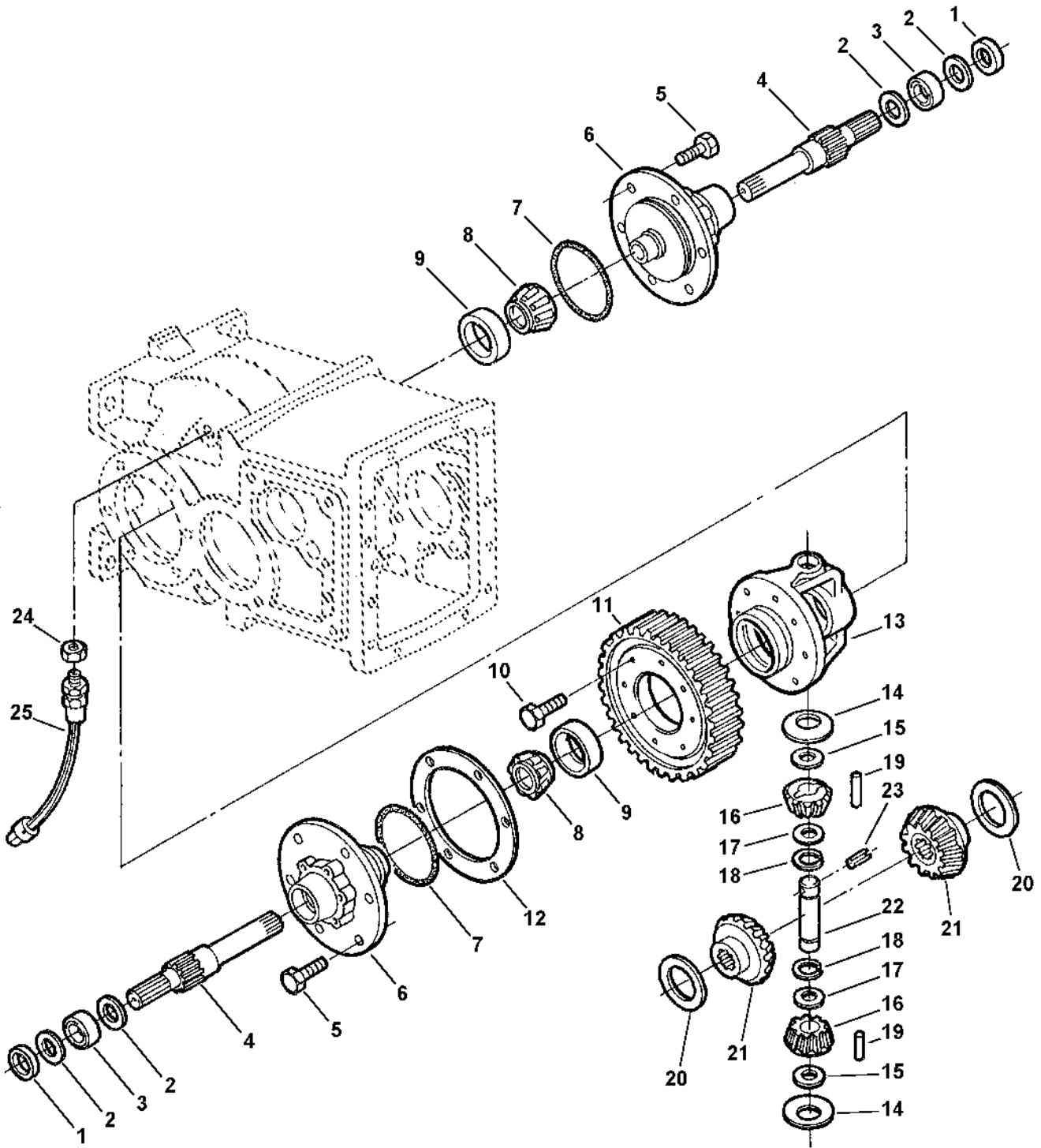
4D8

TRANSMISSION PINION SHAFT, GEARS AND BEARINGS - CONTINUED

KEY	PART NO.	PART NAME	QTY	SERIAL NO.	S H 9 5 0 0	REMARKS
1	H145173	PLANET PINION CARRIER	1		X	(SUB FOR H132777 OR H144386)
	CE18201	PLANET PINION CARRIER	1		X	(SUB FOR H145335)
2	19M7786	SCREW	3		X X	M10 X 30
3	H132892	SHIM	AR		X X	0.076MM (.003") THICK
	H132893	SHIM	AR		X X	0.127 (.005") THICK
	H132894	SHIM	AR		X X	0.508 (.02") THICK
4	U10776	O-RING	1		X X	82.144 X 3.531 MM (3-15/64" X 0.139")
5	JD8267	BEARING CUP	1		X X	
6	JD8979	BEARING	1		X X	
7	R26265	SNAP RING	4		X X	
8	H103167	WASHER	1		X X	56.388 X 73.152 X 3.175 MM (2.220" X 2.880" X 1/8")
9	H135944	GEAR	1		X X	(SUB FOR H133008)
10	H133010	SHIFT COLLAR	1		X X	(DRIVE)
11	H129564	SHIFT COLLAR	1		X X	
12	H135942	GEAR	1		X X	(SUB FOR H129567)
	H143408	GEAR	1		X	EXPORT ONLY- AUSTRALIA
13	H132618	GEAR	1		X X	(24 TOOTH), FOR 3RD GEAR
	H140227	GEAR	1		X	(28 TOOTH), FOR 3RD GEAR
14	26M4228	SHAFT KEY	1		X X	8 X 28 MM
15	H110539	ORIFICE	1		X X	
16	SHAFT	1		X X	PINION SET
17	AH131862	PINION SHAFT	1		X X	(12 TOOTH)
18	JD8182	BEARING CONE	1		X X	
19	JD8223	BEARING CUP	1		X X	
20	H144385	BEARING CAP	1		X X	(SUB FOR H129144)
21	U10746	O-RING	1		X X	107.544 X 3.531 MM (4-15/64" X 0.139")
22	H129558	SNAP RING	1		X X	
..	AH140410	KIT	1		X X	3 SPEED TRANSMISSION HOUSING

4D9

DIFFERENTIAL GEARS AND SHAFTS
HP7501 -UN-30MAR98



HP7501

4D10

POWER TRAIN

DIFFERENTIAL GEARS AND SHAFTS - CONTINUED

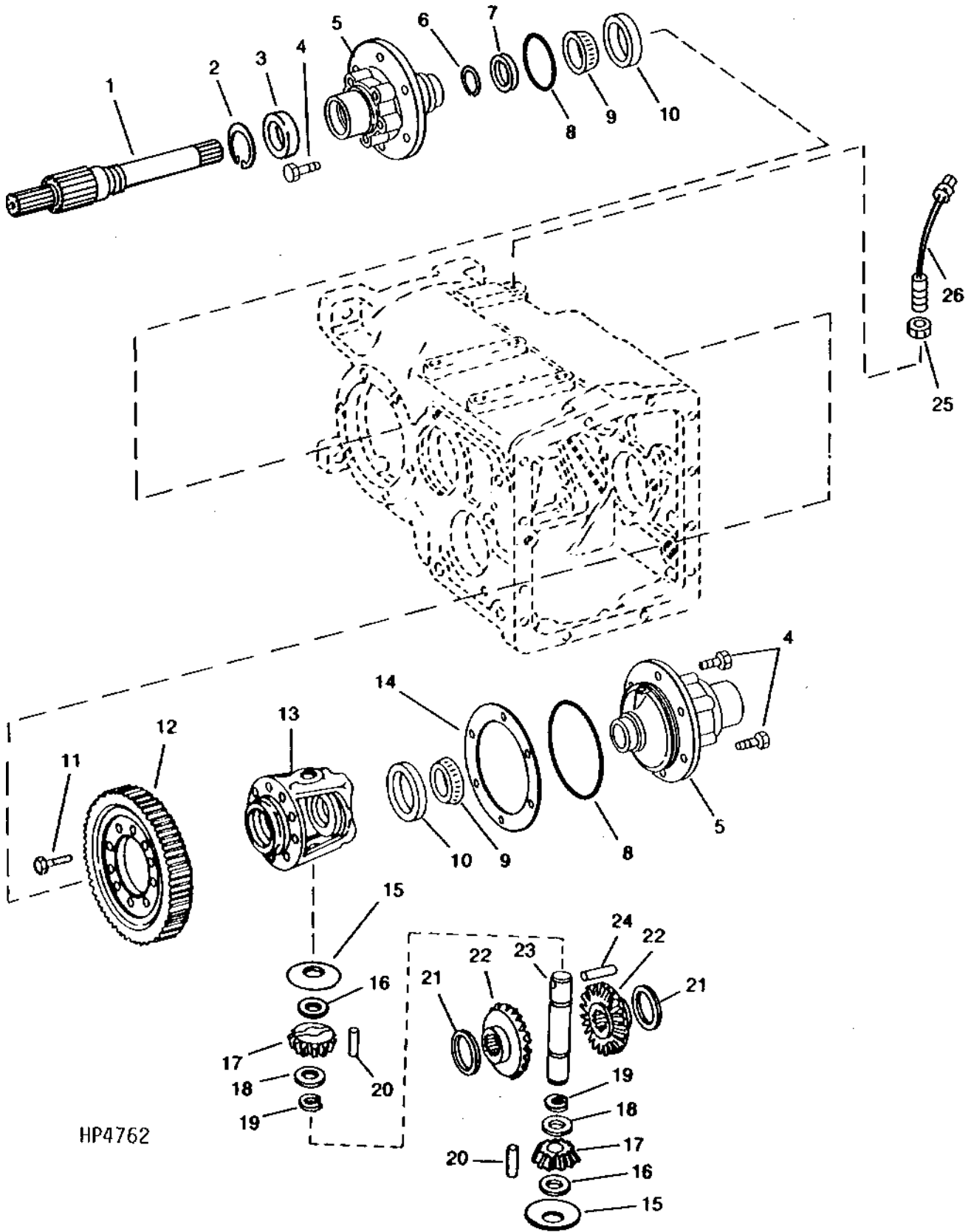
KEY	PART NO.	PART NAME	QTY	SERIAL NO.	S H 9 5 0 0	REMARKS
1	AT40603	SEAL	2		X	
2	C3936E	SNAP RING	4		X	
3	JD7502	ROLLER BEARING	2		X	
4	H135173	SHAFT	2	-25JA99	X	(RING AND PINION) HEAVY DUTY
	H165508	SHAFT	2	26JA99-	X	(SUB FOR H164547) (RING AND PINION) HEAVY DUTY
5	19M7844	SCREW	12		X	M16 X 45
6	H130407	CRADLE	2		X	
7	R27796	O-RING	2		X	158.344 X 3.531 MM (6-15/64" X 0.139")
8	JD8147	BEARING CONE	2		X	
9	JD7425	BEARING CUP	2		X	
10	19M7985	SCREW	14		X	M12 X 35
11	H132554	GEAR	1		X	(62 TOOTH)
12	H126572	SHIM	AR		X	0.076MM (.003") THICK
	H126573	SHIM	AR		X	0.127MM (.005") THICK
	H126575	SHIM	AR		X	0.508 (.02") THICK
13	N197422	HOUSING	1		X	(SUB FOR H133201)
14	H133202	THRUST WASHER	2		X	32 X 70 X 1.650 MM (1.260" X 2.756" X 0.065")
15	R70112	THRUST WASHER	2		X	31.480 X 38 X 2.500 MM (1.239" X 1.496" X 0.098")
16	Z12964	PINION	1		X	(SUB FOR R80880)
17	R70113	THRUST WASHER	2		X	
18	R70114	SNAP RING	2		X	
19	R70115	NEEDLE ROLLER	52		X	
20	H164794	WASHER	2		X	
21	H92308	GEAR	2		X	
22	H146646	PIN	1		X	(SUB FOR H113134)
23	34M7073	SPRING PIN	1		X	10 X 65 MM (0.394" X 2.559")
24	H104418	NUT	1		X	19.050 MM (3/4")
25	AH116104	SENSOR	1		X	GROUND SPEED

4D11

POWER TRAIN

DIFFERENTIAL GEARS AND SHAFTS (SIDEHILL)

HP4762 -UN-01JAN94



HP4762

4D12

POWER TRAIN

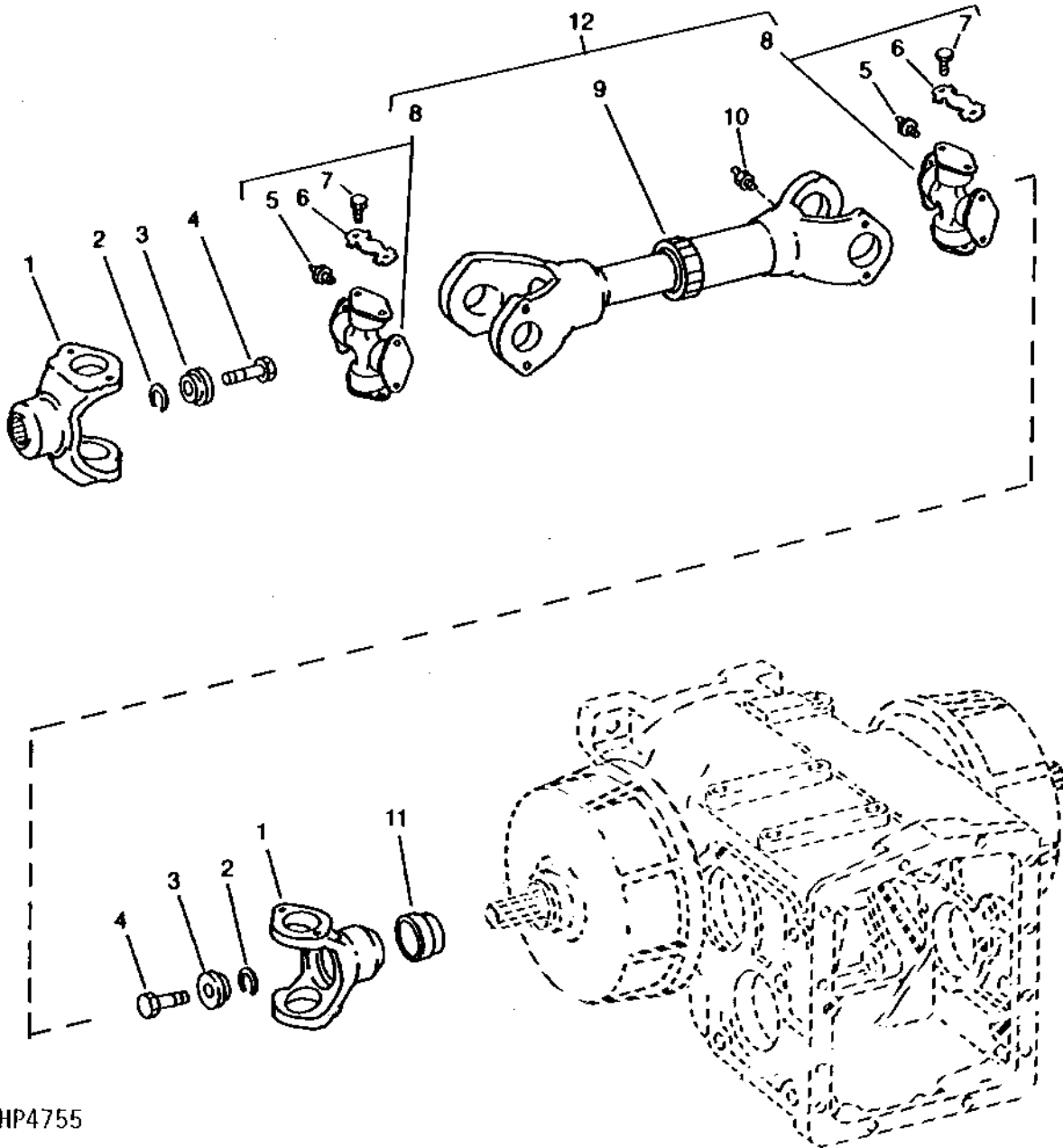
DIFFERENTIAL GEARS AND SHAFTS (SIDEHILL) - CONTINUED

KEY	PART NO.	PART NAME	QTY	SERIAL NO.	S H 9 5 0 0	REMARKS
1	H141556	SHAFT	2		X	
2	U42675	SNAP RING	2		X	
3	JD9245	BALL BEARING	2		X	
4	19M7844	SCREW	12		X	M16 X 45
5	H141557	CRADLE	2		X	
6	H26253	SNAP RING	2		X	
7	AH86596	SEAL	2		X	
8	R27796	O-RING	2		X	158.344 X 3.531 MM (6-15/64" X 0.139")
9	JD8147	BEARING CONE	2		X	
10	JD7425	BEARING CUP	2		X	
11	19M7790	SCREW	14		X	M12 X 35
12	H132554	GEAR	1		X	(62 TOOTH)
13	N197422	HOUSING	1		X	
14	H126572	SHIM	AR		X	0.076 MM (.003") THICK
	H126573	SHIM	AR		X	0.127 MM (.005") THICK
	H126575	SHIM	AR		X	0.508 MM (.02") THICK
15	H133202	THRUST WASHER	2		X	32 X 70 X 1.650 MM (1.260" X 2.756" X 0.065")
16	R70112	THRUST WASHER	2		X	31.480 X 38 X 2.500 MM (1.239" X 1.496" X 0.098") 31.480 X 38 X 2.500 MM (1.239" X 1.496" X 0.098")
17	Z12964	PINION	1		X	(SUB FOR R80880)
18	R70113	THRUST WASHER	2		X	
19	R70114	SNAP RING	2		X	
20	R70115	NEEDLE ROLLER	52		X	
21	H164794	WASHER	2		X	
22	H92308	GEAR	2		X	
23	H146646	PIN	1		X	(SUB FOR H113134)
24	34M7073	SPRING PIN	1		X	10 X 65 MM (0.394" X 2.559")
25	H104418	NUT	1		X	19.050 MM (3/4")
26	AH116104	SENSOR	1		X	GROUND SPEED

4D13

POWER TRAIN

FINAL DRIVE SHAFTS (SIDEHILL)
(RIGHT-HAND SIDE ILLUSTRATED)
HP4755 -UN-01JAN94



HP4755

4D14

POWER TRAIN

FINAL DRIVE SHAFTS (SIDEHILL) - CONTINUED

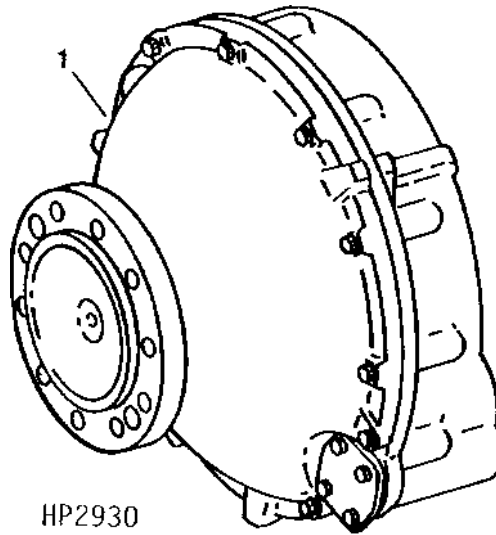
KEY	PART NO.	PART NAME	QTY	SERIAL NO.	S H 9 5 0 0	REMARKS
1	H144033	UNIVERSAL JOINT YOKE	2		X	
2	T45167	RING	2		X	
3	H143835	BUSHING	2		X	
4	R86886	BOLT	2		X	M12 X 35
5	JD7797	LUBRICATION FITTING	4		X	
6	H144071	STRAP	8		X	
7	H144072	CAP SCREW	16		X	7.925 X 14.732 MM (5/16" X 0.580")
8	AH139504	UNIVERSAL JOINT CROSS	2		X	
9	AH139505	SEAL	1		X	
10	JD7759	LUBRICATION FITTING	1		X	
11	H141555	SPACER	1		X	53.900 X 60.300 X 27 MM (2.122" X 2.374" X 1.063")
12	AH137816	UNIVERSAL DRIVESHAFT	1		X	

NOTE: QUANTITIES SHOWN ARE FOR ONE UNIT. TWO UNITS ARE NEEDED.

4D15

FINAL DRIVE (RING AND PINION)

HP2930 -UN-01JAN94



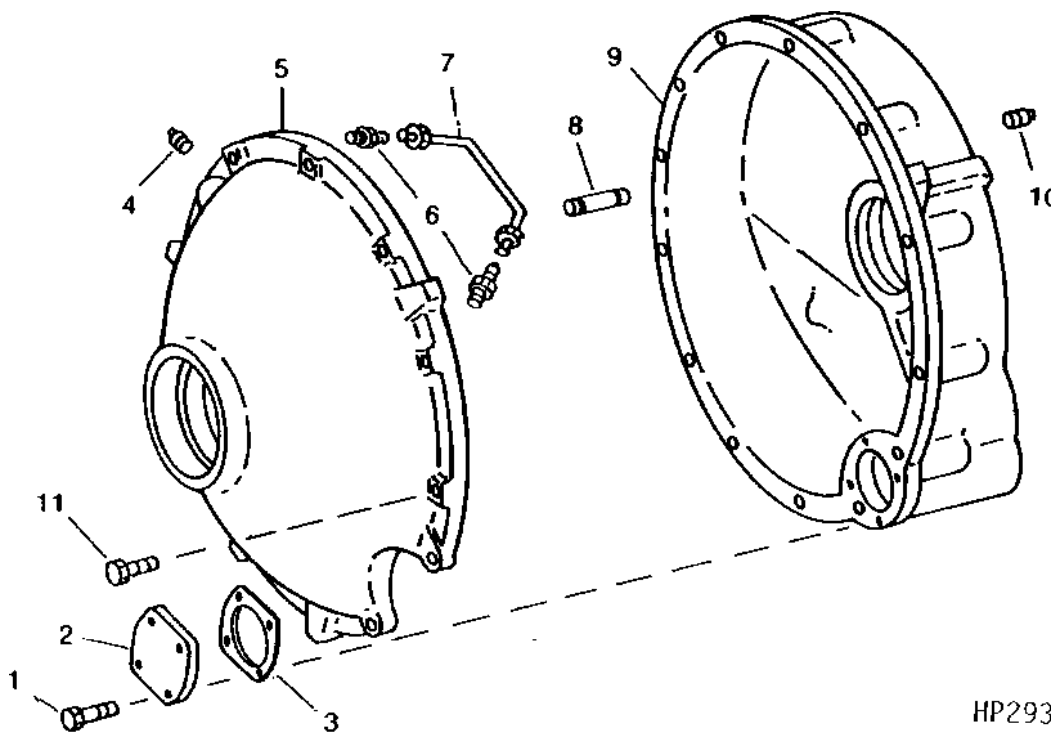
KEY	PART NO.	PART NAME	QTY	SERIAL NO.	S H 9 5 0 0	REMARKS
1	AH121922	GEAR	1		X	L.H.
	AH121923	GEAR	1		X	R.H.
	AH137754	GEAR	1	645201-	X	R.H. (RICE ONLY) (HIGH CLEARANCE)
	AH137755	GEAR	1	645201-	X	L.H. (RICE ONLY) (HIGH CLEARANCE)

4D16

POWER TRAIN

FINAL DRIVE HOUSING AND BEARING CAP (RING AND PINION)

HP2931 -UN-01JAN94



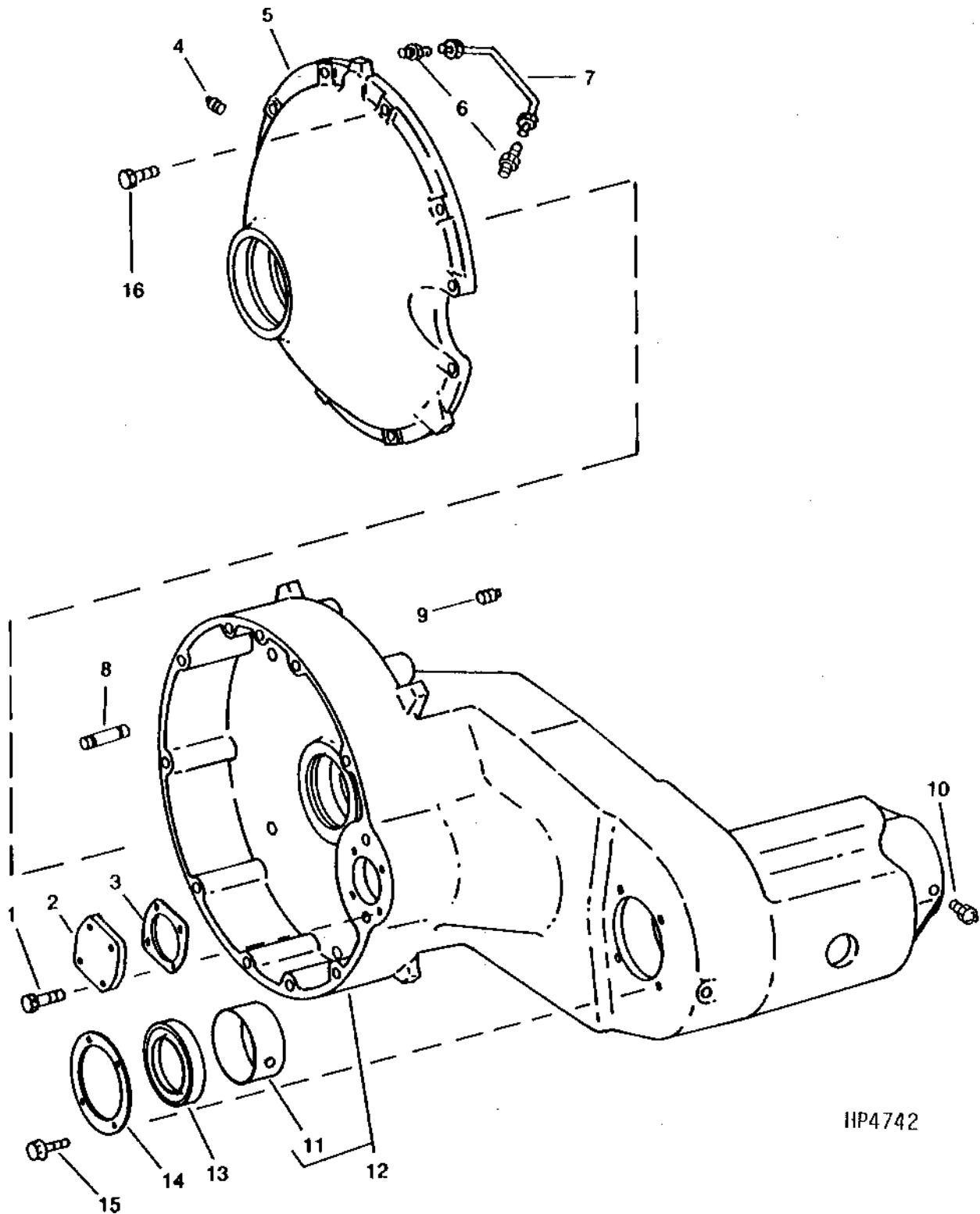
KEY	PART NO.	PART NAME	QTY	SERIAL NO.	S H 9 9 5 5 0 0 0 0	REMARKS
1	19M7835	SCREW	4		X	M10 X 35
2	H133089	CAP	1		X	
3	H133096	SHIM	AR		X	0.50 MM (0.020") (STEEL)
	H133097	SHIM	AR		X	0.25 MM (0.010") (STEEL)
	H133098	SHIM	AR		X	0.13 MM (0.005") (PLASTIC) (BLUE)
4	JD7760	LUBRICATION FITTING	1		X	
5	H133092	HOUSING	1		X	(OUTER)
6	R35352	FITTING	2		X	
7	AH120736	OIL LINE	1		X	
8	R54380	DOWEL PIN	2		X	15.875 X 38.100 MM (5/8" X 1-1/2")
9	H133090	HOUSING	1	-647447	X	(SUB H148286 AND 15H237) R.H. (INNER)
	H148286	HOUSING	1		X	R.H. (INNER) REQUIRES (2) 15H584 PIPE PLUGS (1) FOR FILL HOLE AND (1) FOR DRAIN HOLE
	H133091	HOUSING	1	-647447	X	(SUB H148287 AND 15H237) L.H. (INNER)
	H148287	HOUSING	1	-22AP96	X	L.H. (INNER) REQUIRES (2) 15H584 PIPE PLUGS (1) FOR FILL HOLE AND (1) FOR DRAIN HOLE
	H143894	HOUSING	1	645201-	X	L.H. (INNER) RICE ONLY
	H143893	HOUSING	1	645201-	X	R.H. (INNER) RICE ONLY
	N276475	HOUSING	1	22AP96-	X	L.H. (INNER) REQUIRES (3) 15H584 PIPE PLUGS (2) FOR FILL HOLES AND (1) FOR DRAIN HOLE
10	P46369	FITTING	1	-662604	X	IN FILL HOLE
	H154722	FITTING	1	662605-3SEP96	X	IN FILL HOLE
	15H584	PIPE PLUG	3	3SEP96-	X	12.700 MM (1/2") (SUB FOR 15H237)
11	19M7824	SCREW	12		X	M16 X 60
..	TY6304	SEALANT	1		X	

NOTE: QUANTITIES SHOWN ARE FOR ONE UNIT. TWO UNITS USED PER MACHINE.

4D17

**FINAL DRIVE HOUSING AND BEARING CAP
(RING AND PINION) (SIDEHILL)**

HP4742 -UN-01JAN94



HP4742

4D18

POWER TRAIN

**FINAL DRIVE HOUSING AND BEARING CAP - CONTINUED
(RING AND PINION) (SIDEHILL)**

KEY	PART NO.	PART NAME	QTY	SERIAL NO.	S H 9 5 0 0 0 0	REMARKS
1	19M7835	SCREW	4		X	M10 X 35
2	H133089	CAP	1		X	
3	H133096	SHIM	AR		X	0.50 MM (0.020") (STEEL)
	H133097	SHIM	AR		X	0.25 MM (0.010") (STEEL)
	H133098	SHIM	AR		X	0.13 MM (0.005") (BLUE PLASTIC)
4	JD7760	LUBRICATION FITTING	1		X	
5	H133092	HOUSING	1		X	OUTER
6	R35352	FITTING	2		X	
7	AH120736	OIL LINE	1		X	
8	R54380	DOWEL PIN	2		X	15.875 X 38.100 MM (5/8" X 1-1/2")
9	P46369	FITTING	1		X	
	15H237	PIPE PLUG	3		X	1/2", (SUB 15H584)
10	JD7759	LUBRICATION FITTING	2		X	
11	H146281	BUSHING	4		X	
12	AH136157	HOUSING	1		X	INNER
13	AH112284	SEAL	2		X	
14	H143836	BACK-UP RING	2		X	
15	19M7775	SCREW	8		X	M6 X 16
16	19M7824	SCREW	12		X	M16 X 60
..	TY6304	SEALANT	1		X	

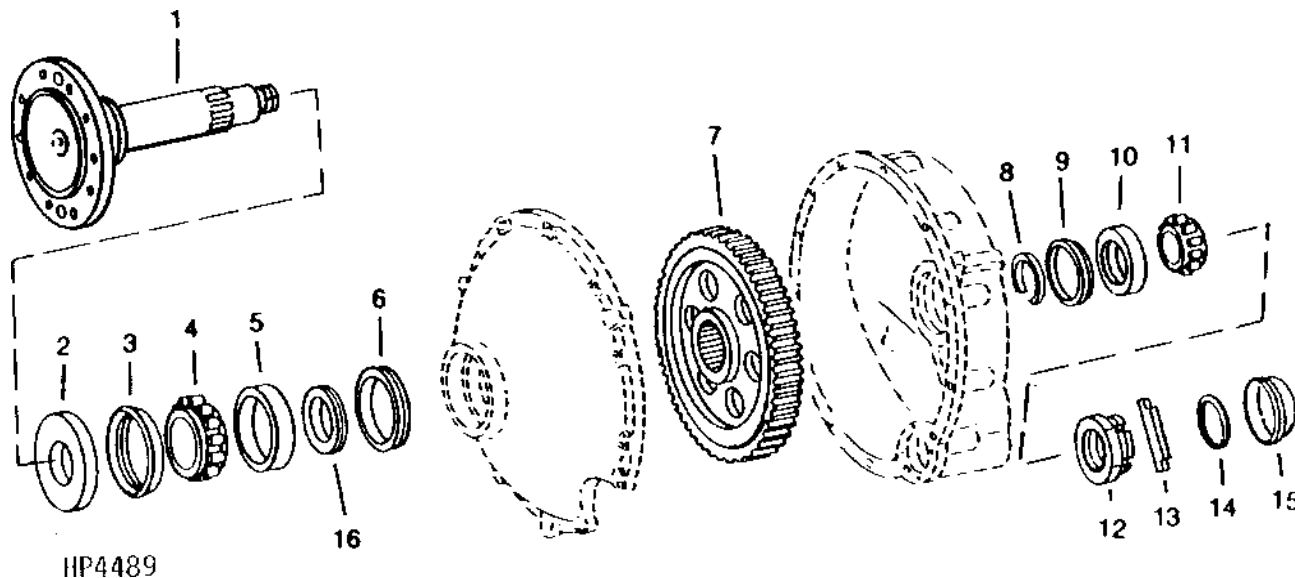
NOTE: QUANTITIES SHOWN ARE FOR ONE UNIT. TWO UNITS PER MACHINE.

4D19

POWER TRAIN

FINAL DRIVE AXLE, GEAR AND BEARINGS (RING AND PINION)

HP4489 -UN-01JAN94



HP4489

KEY	PART NO.	PART NAME	QTY	SERIAL NO.	S H 9 5 0 0 0 0	REMARKS
1	H133094	SPINDLE	1		X	
2	AH112402	SEAL	1		X	
3	R52015	SEAL	1		X	
4	JD9092	BEARING CONE	1		X	
5	JD9147	BEARING CUP	1		X	
6	AH125233	SEAL	1		X	
7	H137672	GEAR	1	-24JA99	X	104 TEETH
	H167723	GEAR	1	25JA99-	X	95 TEETH
8	H118882	SNAP RING	1		X	
9	H129557	SPACER	1		X	
10	JD7298	BEARING CUP	1		X	
11	JD10266	BEARING CONE	1		X	
12	H129854	NUT	1		X	
13	H125330	SHAFT KEY	1		X	
14	H22784	SNAP RING	1		X	
15	H154720	PLUG	1		X	(SUB FOR H125335)
16	R99244	V-RING SEAL	1		X	

NOTE: QUANTITIES SHOWN ARE FOR ONE UNIT. TWO UNITS USED PER MACHINE.

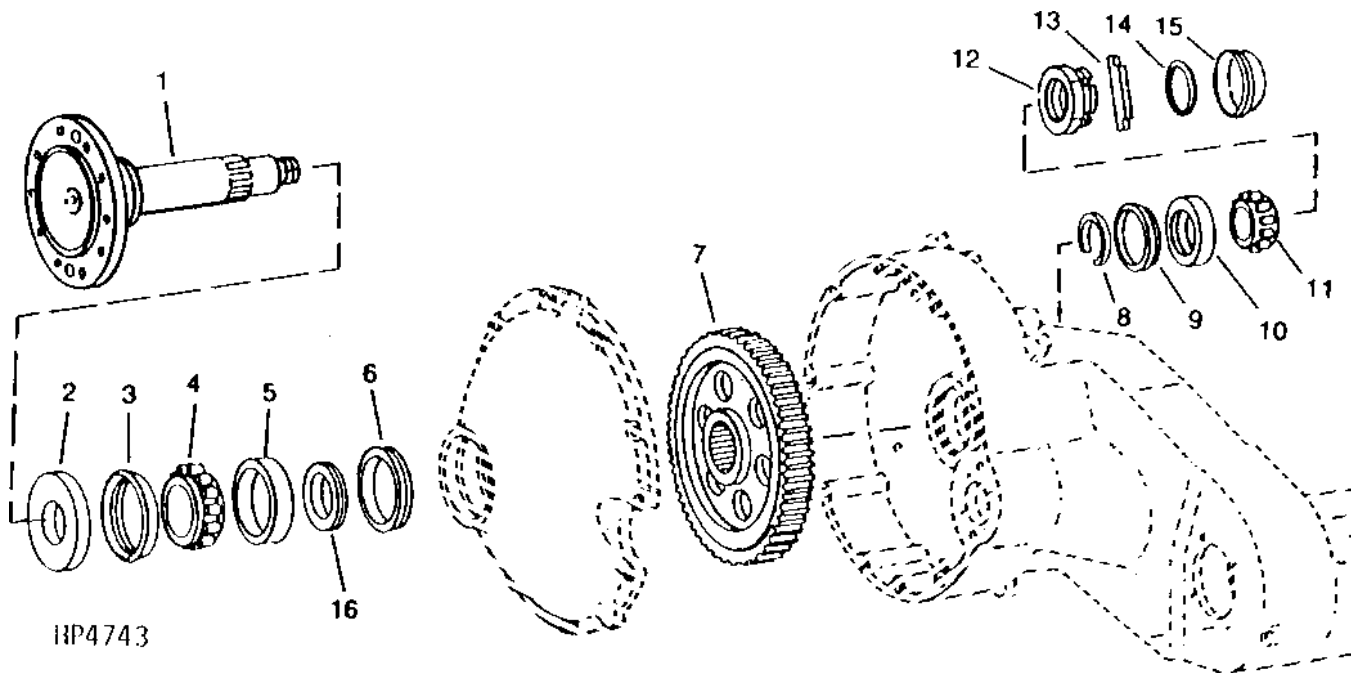
4D20

POWER TRAIN

FINAL DRIVE AXLE, GEAR AND BEARINGS (RING AND PINION)

(SIDEHILL)

HP4743 -UN-01JAN94



HP4743

KEY	PART NO.	PART NAME	QTY	SERIAL NO.	S H 9 9 5 5 0 0 0 0	REMARKS
1	H133094	SPINDLE	1		X	
2	AH112402	SEAL	1		X	
3	R52015	SEAL	1		X	
4	JD9092	BEARING CONE	1		X	
5	JD9147	BEARING CUP	1		X	
6	AH125233	SEAL	1		X	
7	H137672	GEAR	1	-24JA99	X	104 TEETH
	H167723	GEAR	1	25JA99-	X	95 TEETH
8	H118882	SNAP RING	1		X	
9	H129557	SPACER	1		X	
10	JD7298	BEARING CUP	1		X	
11	JD10266	BEARING CONE	1		X	
12	H129854	NUT	1		X	
13	H125330	SHAFT KEY	1		X	
14	H22784	SNAP RING	1		X	
15	H154720	PLUG	1	660622-	X	(SUB FOR H125335)
16	R99244	V-RING SEAL	1		X	

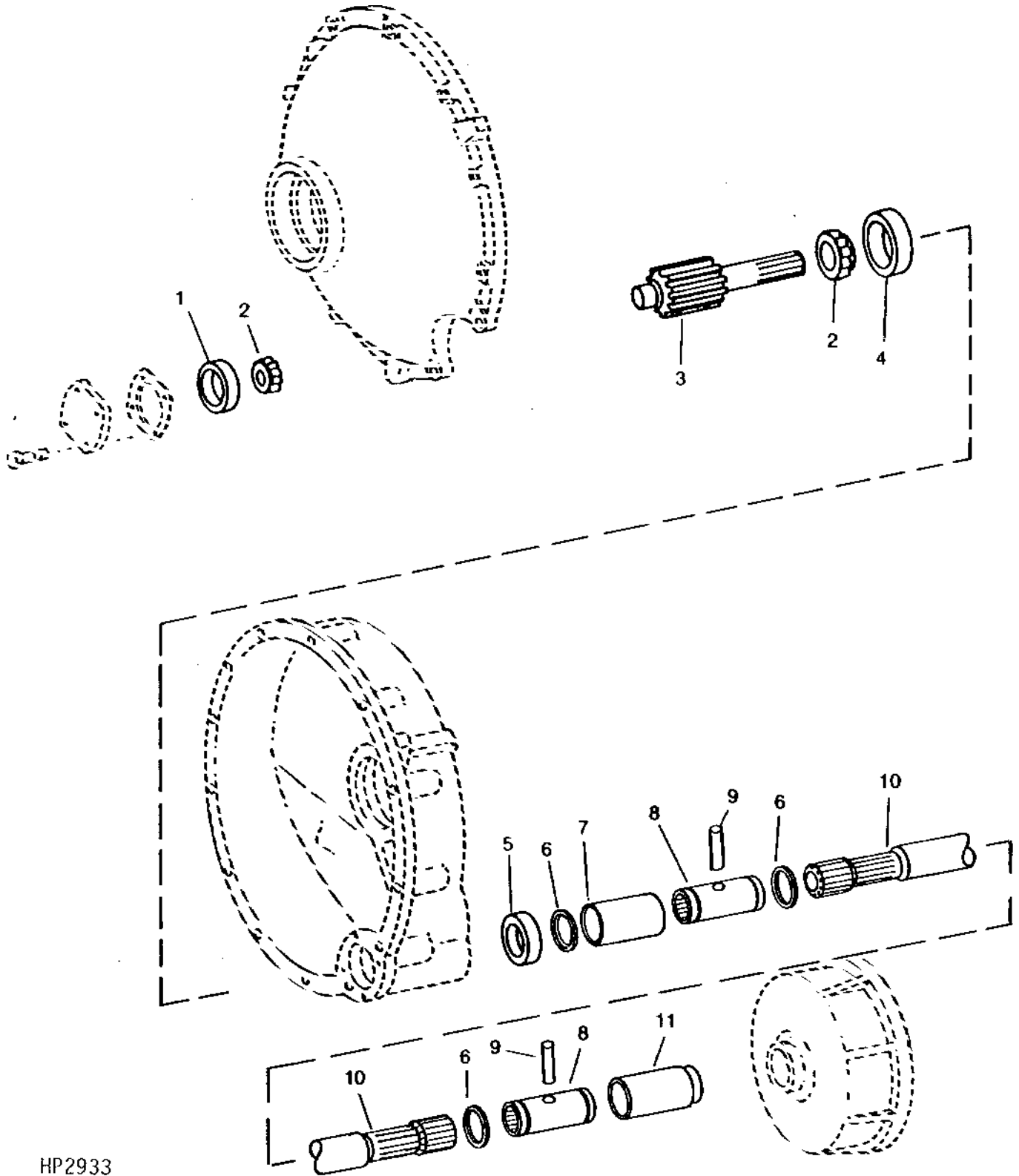
NOTE: QUANTITIES SHOWN ARE FOR ONE UNIT. TWO UNITS USED PER MACHINE.

4D21

FINAL DRIVE PINION, DRIVE SHAFTS AND BEARINGS

(RING AND PINION)

HP2933 -UN-01JAN94



HP2933

4D22

POWER TRAIN

**FINAL DRIVE PINION, DRIVE SHAFTS AND BEARINGS - CONTINUED
(RING AND PINION)**

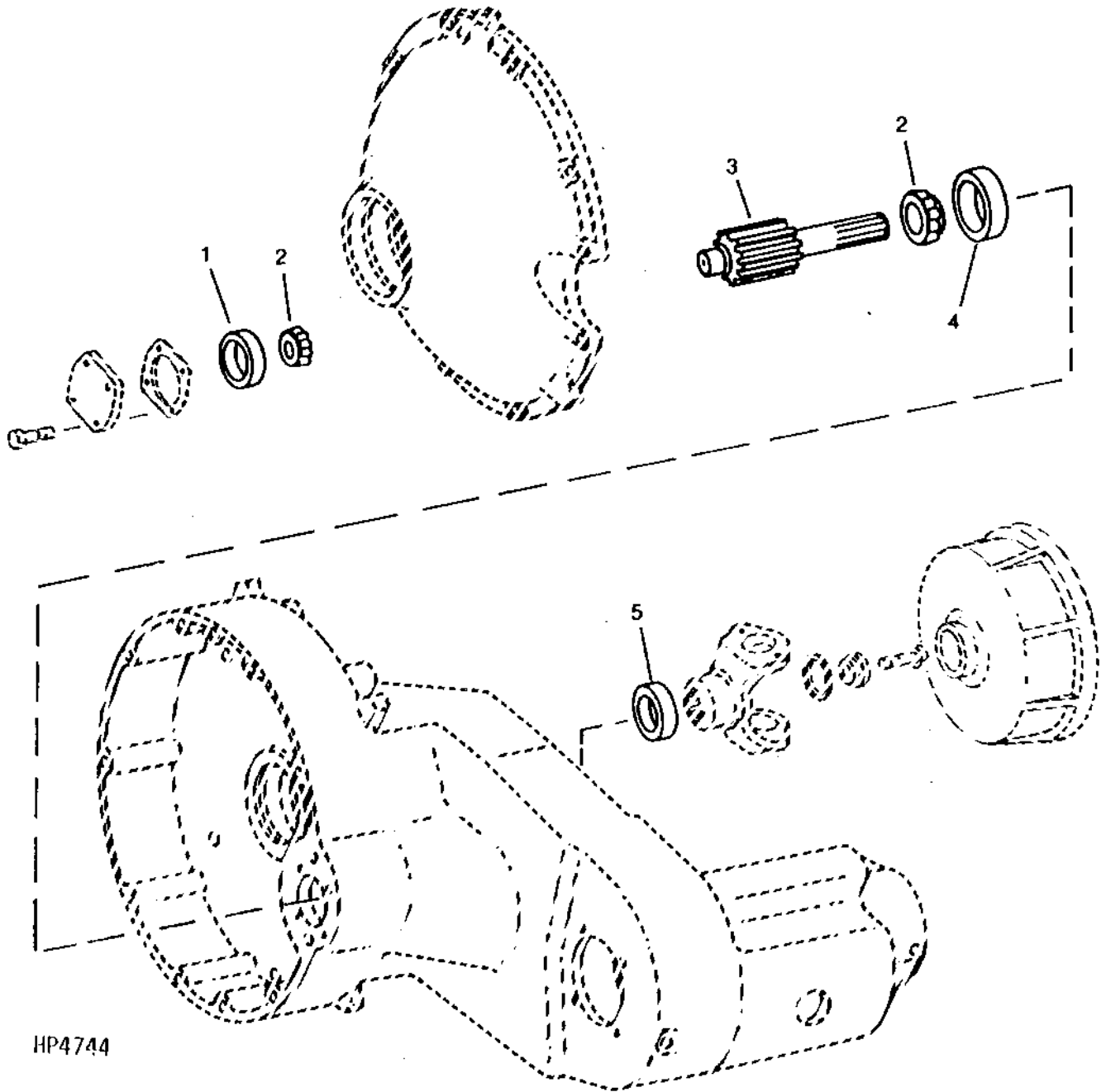
KEY	PART NO.	PART NAME	QTY	SERIAL NO.	S H 9 5 0 0 0 0	REMARKS
1	JD8222	BEARING CUP	1		X	
2	JD10401	BEARING CONE	2		X	
3	H157014	PINION	1	-670000	X	(SUB FOR H133088 OR H141558)
	H168899	PINION	1	670001-	X	
4	T79098	BEARING CUP	1		X	
5	AH128391	SEAL	1		X	
6	H133229	SNAP RING	3		X	
7	H134444	SLEEVE	1		X	55.500 X 60.300 X 85.100 MM (2.185" X 2.374" X 3.350")
8	H165510	SPLINED COUPLING	2	670001-	X	(SUB FOR H133230)
9	H131754	PIN	2		X	10 X 52 MM (0.394" X 2.047")
10	H165665	SHAFT	1		X	(SUB FOR H145553) R.H.
	H165666	SHAFT	1		X	(SUB FOR H145554) L.H.
11	H134531	SLEEVE	1	-670000	X	55.500 X 58.800 X 120.500 MM (2.185" X 2.315" X 4.744")
	H166201	SLEEVE	1	670001-	X	55.500 X 58.800 X 123.500 MM (2.185" X 2.315" X 4.862")

NOTE: QUANTITIES SHOWN ARE FOR ONE UNIT. TWO UNITS USED PER MACHINE.

4D23

FINAL DRIVE PINION AND BEARINGS (SIDEHILL)

(RING AND PINION)
HP4744 -UN-01JAN94



HP4744

4D24

POWER TRAIN

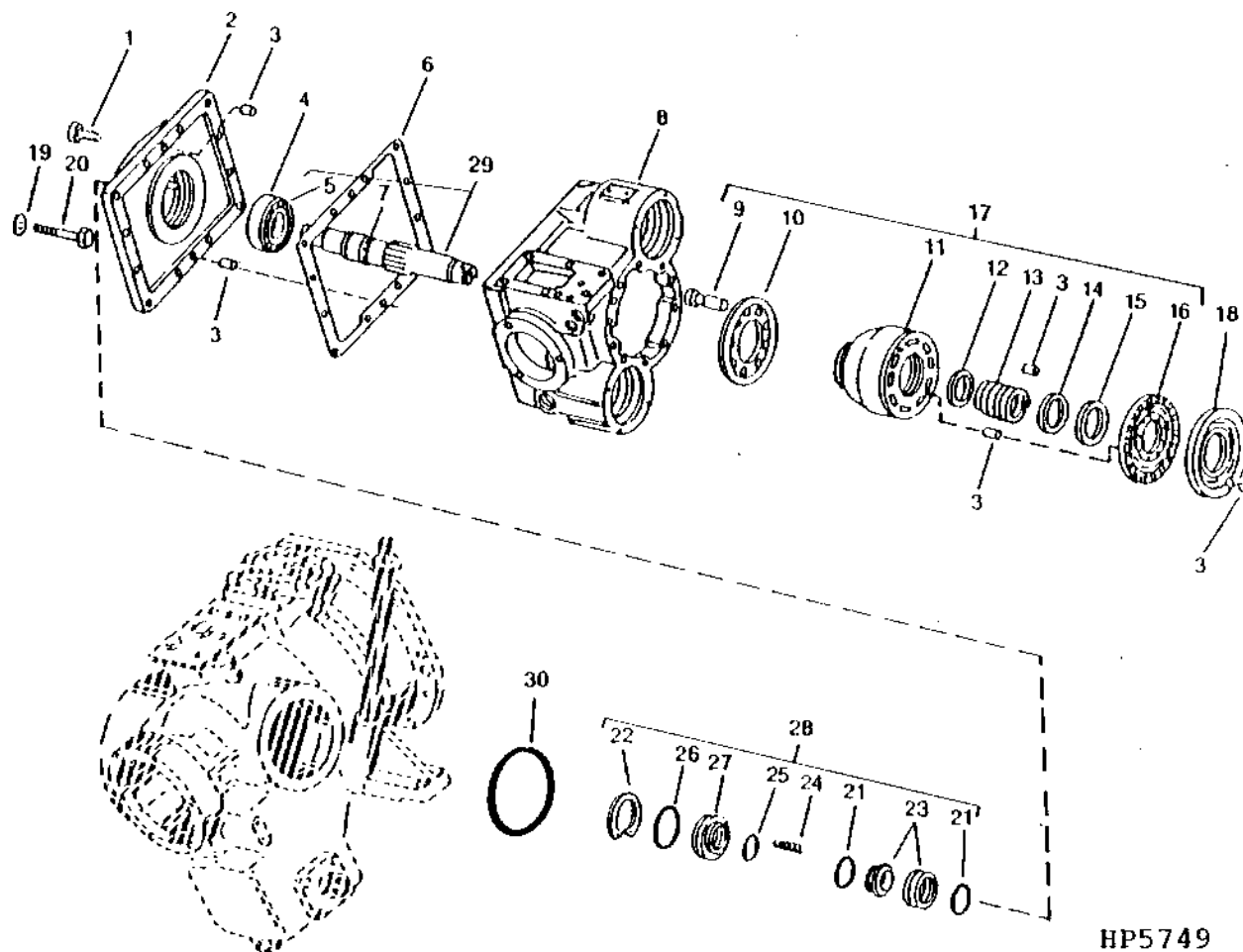
**FINAL DRIVE PINION AND BEARINGS (SIDEHILL) - CONTINUED
(RING AND PINION)**

KEY	PART NO.	PART NAME	QTY	SERIAL NO.	S H 9 5 0 0	REMARKS
1	JD8222	BEARING CUP	1		X	
2	JD10401	BEARING CONE	2		X	
3	H141558	PINION	1		X	
4	T79098	BEARING CUP	1		X	
5	AH128391	SEAL	1		X	

NOTE: QUANTITIES SHOWN ARE FOR ONE UNIT. TWO UNITS USED PER MACHINE.

HYDROSTATIC DRIVE PUMP, FRONT COVER AND SHAFT (RING AND PINION)

HP5749 -UN-01JAN94



HP5749

4E2

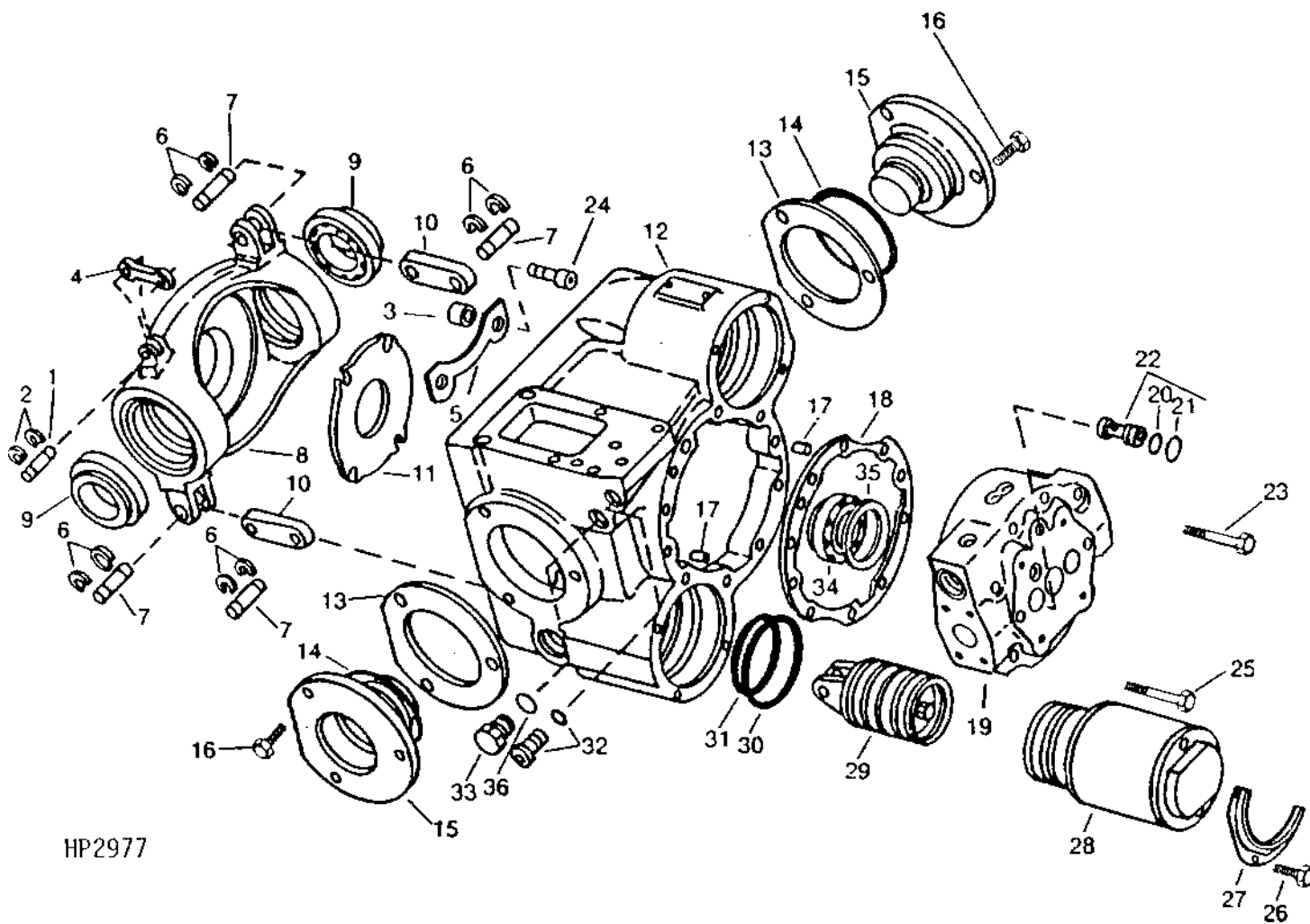
HYDROSTATIC DRIVE PUMP, FRONT COVER AND SHAFT (RING AND PINION) - CONTINUED

KEY	PART NO.	PART NAME	QTY	SERIAL NO.	S H 9 9 5 5 0 0 0 0	REMARKS
1	19H1731	CAP SCREW	12		X X	3/8" X 1"
2	FLANGE	1		X X	(ORDER AH160785)
3	H63271	PIN	5		X X	
4	JD9113	BEARING CUP	1		X X	
5	FLANGE	1		X X	
6	N126585	GASKET	1		X X	
7	SNAP RING	1		X X	(ORDER AH133660)
8	HOUSING	1		X X	(ORDER AH160785)
9	AH131169	PISTON	9		X X	(A)
10	RETAINER	1		X X	(A)
11	CYLINDER BLOCK	1		X X	(A)
12	WASHER	1		X X	(A)
13	SPRING	1		X X	(A)
14	WASHER	1		X X	(A)
15	SNAP RING	1		X X	(A)
16	H135500	PLATE	1		X X	(A)
17	AH131171	KIT	1		X X	(INCLUDES PARTS MARKED (A))
18	H135499	PLATE	1		X X	
19	T29342	WASHER	4		X X	17/32" X 1-1/4" X 0.180"
20	19M7493	CAP SCREW	4		X X	M12 X 40
21	N196034	O-RING	2		X X	42.520 X 2.616 MM (1.674" X 0.103")
22	N126612	SNAP RING	1		X X	
23	SEAL KIT	1		X X	(KIT AN193085)
24	N191174	SPRING	6		X X	
25	U15415	O-RING	1		X X	34.646 X 1.778 MM (1.364" X 0.070")
26	T19832	O-RING	1		X X	64.770 X 2.616 MM (2.550" X 0.103") (SUB R112857)
27	RETAINER	1		X X	(KIT AN193085)
28	AN193085	SEAL KIT	1		X X	
29	AH133660	SHAFT	1		X X	
30	R63308	O-RING	1		X X	120.015 X 5.334 MM (4.725" X 0.210")
..	AH131305	PUMP	1		X X	(SUB AH160785 AND E65288) REMANUFACTURED
..	AH160785	PUMP	1		X X	REMANUFACTURED
..	E65288	O-RING	1		X X	

4E3

HYDROSTATIC DRIVE PUMP, HOUSING, SWASHPLATE, AND SERVO CYLINDERS (RING AND PINION)

HP2977 -UN-01JAN94



HP2977

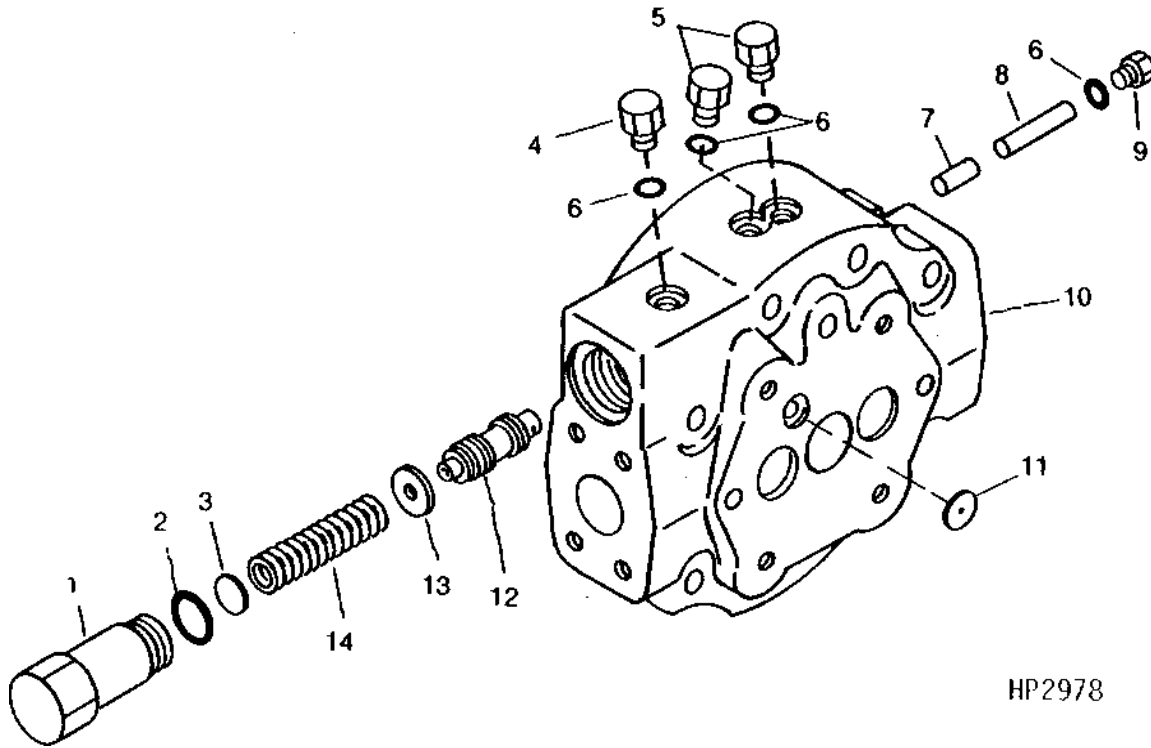
**HYDROSTATIC DRIVE PUMP, HOUSING, SWASHPLATE, AND SERVO CYLINDERS - CONTINUED
(RING AND PINION)**

KEY	PART NO.	PART NAME	QTY	SERIAL NO.	S H 9 5 0 0 0	REMARKS
1	N126603	PIN	1		X X	6.350 X 22.606 MM (1/4" X 0.890")
2	M48000	SNAP RING	2		X X	
3	SPACER	1		X X	(KIT AH131391)
4	LINK	1		X X	(ORDER AH160785)
5	STRAP	1		X X	(KIT AH131391)
6	N126609	SNAP RING	8		X X	
7	N126599	PIN	4		X X	14.224 X 39.116 MM (0.560" X 1.540")
8	SWASH PLATE	1		X X	(ORDER AH160785)
9	JD9076	BEARING CONE	2		X X	
	JD9133	BEARING CUP	2		X X	
10	N126600	LINK	2		X X	
11	PLATE	1		X X	(KIT AH131391)
12	HOUSING	1		X X	(ORDER AH160785)
13	AN122506	SHIM	AR		X X	FOUR, .002", .005", .010" AND .015"
14	T14065	O-RING	2		X X	66.269 X 3.531 MM (2-39/64" X 0.139")
15	TRUNNION	2		X X	(ORDER AH160785)
16	19H2284	CAP SCREW	6		X X	3/8" X 7/8"
17	H63271	PIN	2		X X	
18	N126584	GASKET	1	645201-	X X	(SUB FOR H135498)
19	COVER	1		X X	(ORDER AH160785)
20	32246	O-RING	2		X X	13.945 X 2.616 MM (0.549" X 0.103")
21	W23690	BACK-UP RING	2		X X	14.707 X 19.025 X 1.321 MM (0.579" X 0.749" X 0.052")
22	AN122502	CHECK VALVE	2		X X	
23	19H1944	CAP SCREW	6		X X	3/8" X 2-3/4"
24	19H3053	SCREW	4		X X	5/16" X 1"
25	19H1800	CAP SCREW	2		X X	3/8" X 1-1/2"
26	19H3176	SCREW	6		X X	0.164" X 0.380"
27	N126602	RETAINER	2		X X	SERVO
28	AN122493	SLEEVE	2		X X	SERVO, INCLUDES R53543 AND M43518 O-RINGS
29	AH131172	PISTON	2		X X	(INCLUDES KEYS 6, 7 AND 10)
30	R53543	O-RING	2		X X	67.945 X 2.619 MM (2.675" X 0.103")
31	M43518	O-RING	2		X X	61.595 X 2.616 MM (2.425" X 0.103")
32	AN122518	FITTING	1		X X	PLUG, SOCKET HD. UNF, 7/16", INCLUDES O-RING
33	R51031	FITTING	1		X X	
34	AN122507	ROLLER BEARING	1		X X	
35	AN122509	SHIM	1		X X	FIVE, .002", .005", .010" AND .015"
36	R28782	O-RING	2		X X	8.915 X 1.829 MM (0.351" X 0.072")
..	AH131391	KIT	1		X X	(INCLUDES KEYS 3, 5 AND 11)
..	AH131305	PUMP	1		X X	(SUB AH160785 AND E65288) REMANUFACTURED
..	AH160785	PUMP	1		X X	REMANUFACTURED
..	E65288	O-RING	1		X X	

4E5

HYDROSTATIC DRIVE PUMP COVER (RING AND PINION FINAL DRIVE)

HP2978 -UN-01JAN94

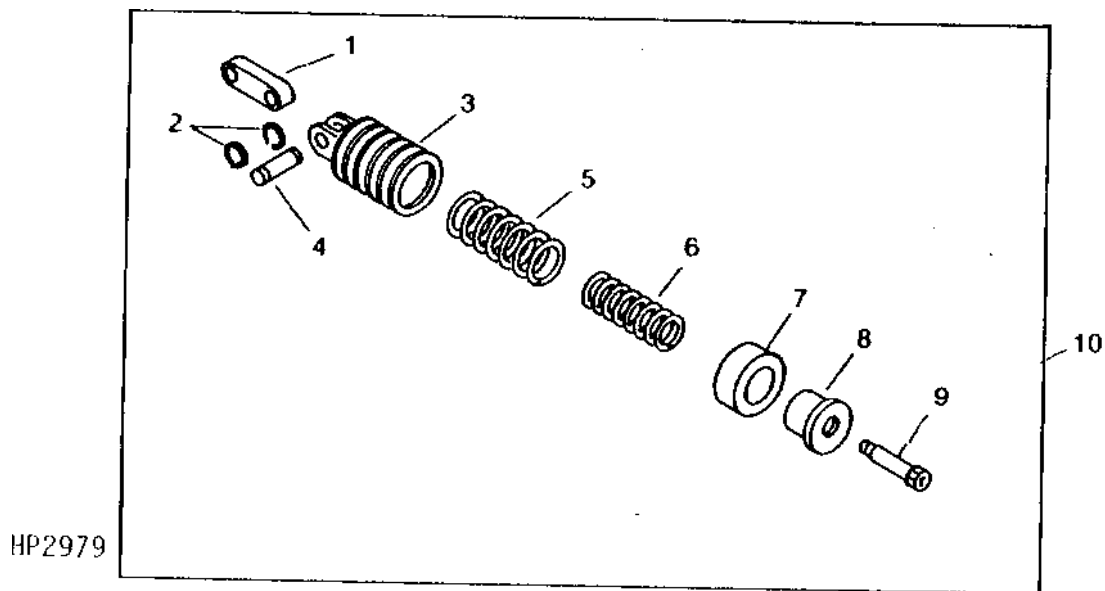


HP2978

KEY	PART NO.	PART NAME	QTY	SERIAL NO.	S H 9 9 5 5 0 0 0 0	REMARKS
1	H135215	HOLDER	1		X X	
2	R26906	O-RING	1		X X	19.177 X 2.464 MM (0.755" X 0.097")
3	AH129278	KIT	1		X X	SHIM
4	AT63272	FITTING	1		X X	INCS. R30903 O-RING
5	AT63272	FITTING	2		X X	INCS. R30903 O-RING
6	R30903	O-RING	4		X X	6.071 X 1.626 MM (0.239" X 0.064")
7	H135503	NEEDLE ROLLER	1		X X	
8	H135504	NEEDLE ROLLER	1		X X	
9	AT63272	FITTING	1		X X	INCS. R30903 O-RING
10	COVER	1		X X	(ORDER AH160785)
11	H135567	ORIFICE	1		X X	
12	H135214	VALVE SPOOL	1		X X	
13	H135213	WASHER	1		X X	6.350 X 19.558 X 3.048 MM (1/4" X 0.770" X 0.120")
14	H135211	COMPRESSION SPRING	1		X X	
..	AH131305	PUMP	1		X X	(SUB AH160785 AND E65288) REMANUFACTURED
..	AH160785	PUMP	1		X X	REMANUFACTURED
..	E65288	O-RING	1		X X	

**HYDROSTATIC DRIVE PISTON ASSEMBLY
(RING AND PINION)**

HP2979 -UN-01JAN94

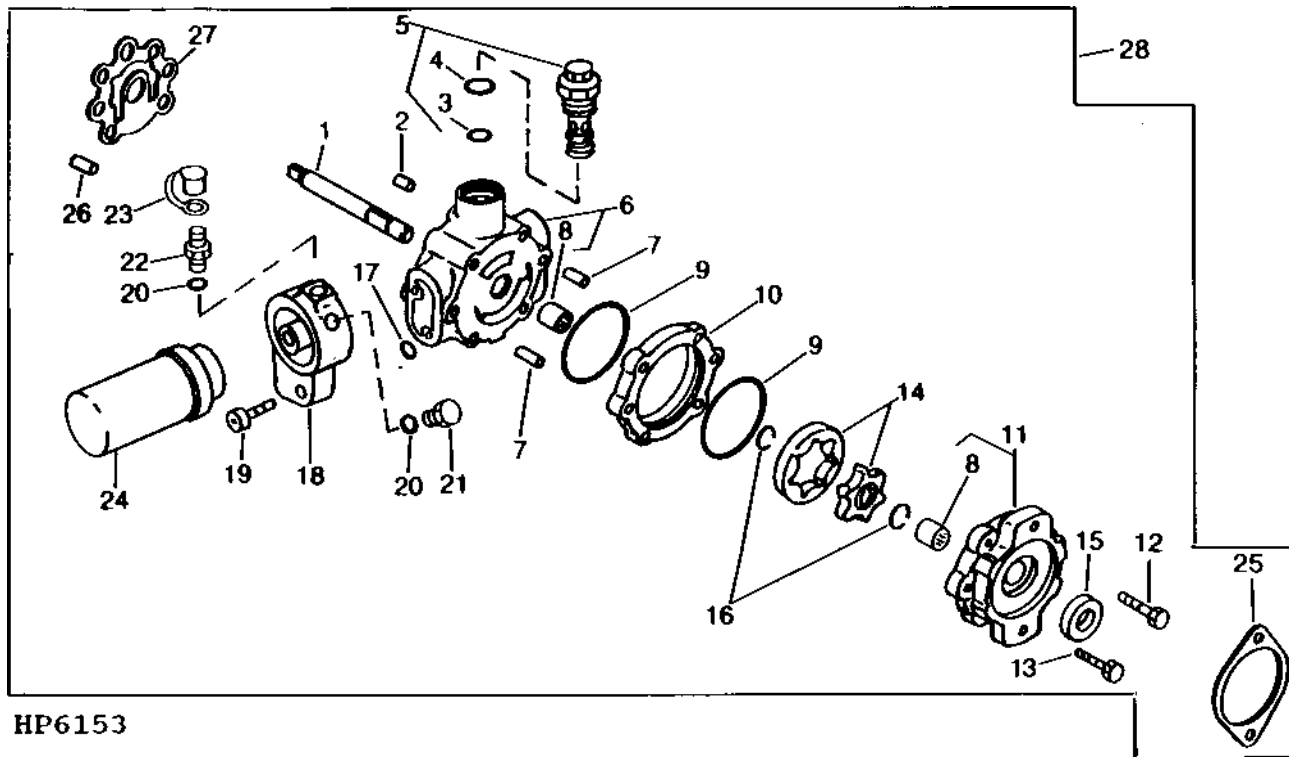


KEY	PART NO.	PART NAME	QTY	SERIAL NO.	S H 9 9 5 5 0 0 0 0	REMARKS
1	N126600	LINK	1		X X	
2	N126609	SNAP RING	2		X X	
3	PISTON	1		X X	
4	N126599	PIN	1		X X	14.224 X 39.116 MM (0.560" X 1.540")
5	SPRING	1		X X	
6	SPRING	1		X X	
7	SPACER	1		X X	
8	RETAINER	1		X X	
9	CAP SCREW	1		X X	
10	AH131172	PISTON	1		X X	

HYDROSTATIC DRIVE CHARGE PUMP

(- 670000)

HP6153 -UN-01SEP95



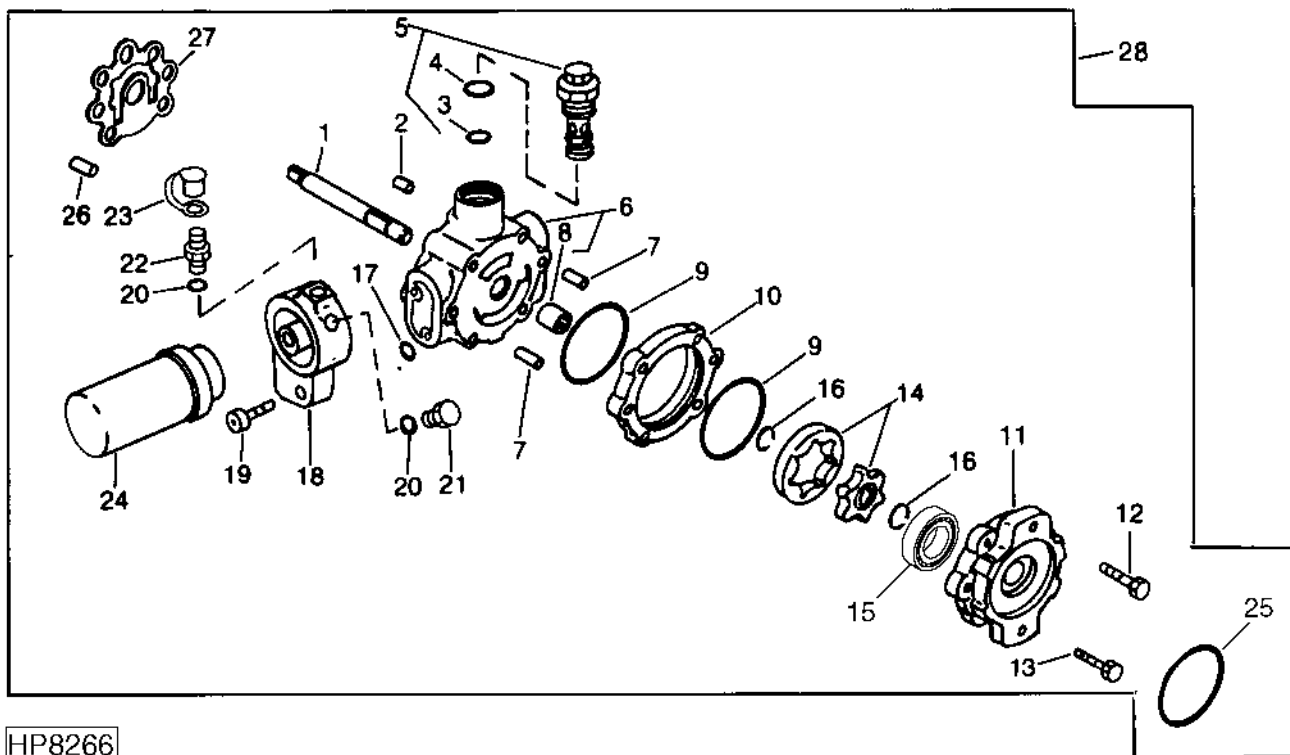
HP6153

KEY	PART NO.	PART NAME	QTY	SERIAL NO.	REMARKS
				S	
				H	
				9 9	
				5 5	
				0 0	
				0 0	
1	H135505	DRIVE SHAFT	1	X X	
2	N126638	PIN	1	X X	4.572 X 9.906 MM (0.180" X 0.390")
3	H63289	O-RING	1	X X	20.295 X 2.616 MM (0.799" X 0.103")
4	U17409	O-RING	1	X X	26.619 X 2.946 MM (1.048" X 0.116")
5	AN122498	RELIEF VALVE	1	X X	
6	HOUSING	1	X X	(A)
7	N126601	BUSHING	1	X X	
8	NEEDLE BEARING	1	X X	(A)
9	H135570	O-RING	1	X X	78.994 X 1.778 MM (3.110" X 0.070")
10	SPACER	1	X X	(A)
11	COVER	1	X X	(A)
12	19H1875	CAP SCREW	2	X X	5/16" X 1-3/4"
13	SCREW	4	X X	(A)
14	OIL PUMP	1	X X	(A)
15	AH131170	SEAL	1	X X	
16	SNAP RING	2	X X	(A)
17	R34404	O-RING	2	X X	17.120 X 2.616 MM (0.674" X 0.103") (SUB P48347)
18	H151087	FILTER HEAD	1	X X	
19	19H3093	SCREW	2	X X	9.525 X 44.450 MM (3/8" X 1-3/4")
20	R26448	O-RING	2	X X	11.887 X 1.981 MM (0.468" X 5/64")
21	R27218	FITTING PLUG	1	X X	
22	AH125760	HYD. QUICK-CONNECT COUPLER	1	X X	
23	R77175	COVER	1	X X	
24	AH128449	HYDRAULIC FILTER	1	X X	
25	H131121	GASKET	1	X X	
26	H63271	PIN	2	X X	
27	H135497	GASKET	1	X X	
28	AH131167	HYDRAULIC PUMP	1	X X	(SUB AH160745 AND E65288) (INCLUDES PARTS MARKED (A))
	AH160745	HYDRAULIC PUMP	1	X X	
	E65288	O-RING	1	X X	

NOTE: PARTS ON THIS PAGE ARE ALSO FURNISHED AS PART OF AH160785 HYDROSTATIC DRIVE UNIT. (RING AND PINION FINAL DRIVE)

HYDROSTATIC DRIVE CHARGE PUMP

(675000 -)
HP8266 -UN-19FEB99



S
H
9 9
5 5
0 0
0 0

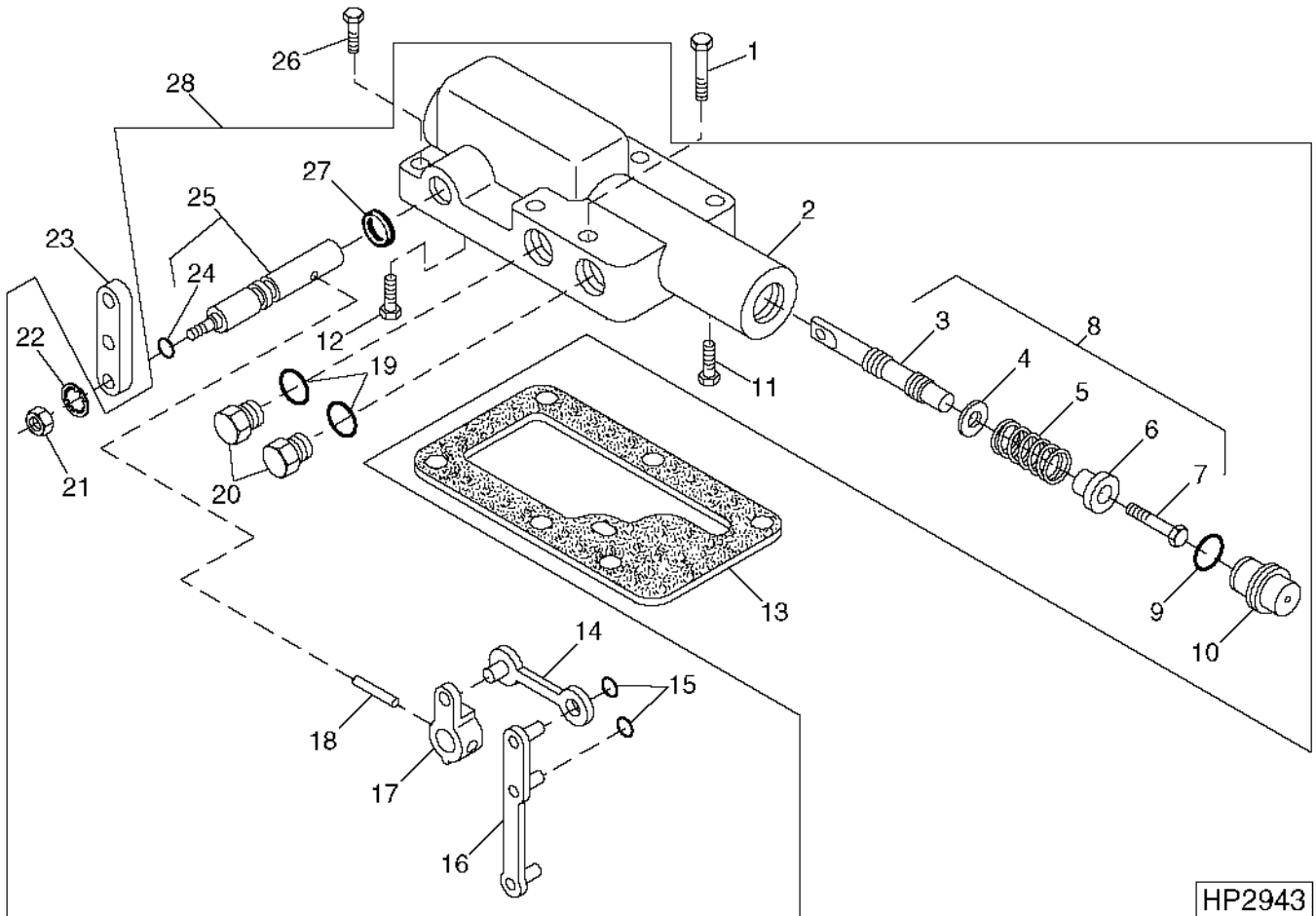
KEY	PART NO.	PART NAME	QTY	SERIAL NO.	REMARKS
1	DRIVE SHAFT	1	X X	
2	N126638	PIN	1	X X	
3	H63289	O-RING	1	X X	20.295 X 2.616 MM (0.799" X 0.103")
4	U17409	O-RING	1	X X	26.619 X 2.946 MM (1.048" X 0.116")
5	AN122498	RELIEF VALVE	1	X X	
6	HOUSING	1	X X	(A)
7	N126601	BUSHING	1	X X	
8	NEEDLE BEARING	1	X X	(A)
9	H135570	O-RING	1		78.994 X 1.778 MM (3.110" X 0.070")
10	SPACER	1		(A)
11	COVER	1		(A)
12	19H1875	CAP SCREW	2		5/16" X 1-3/4"
13	SCREW	4		(A)
14	OIL PUMP	1		(A)
15	BALL BEARING	1		
16	SNAP RING	2		(A)
17	R34404	O-RING	2	X X	17.120 X 2.616 MM (0.674" X 0.103")
18	H151087	FILTER HEAD	1	X X	
19	19H3093	SCREW	2	X X	9.525 X 44.450 MM (3/8" X 1-3/4")
20	R26448	O-RING	2	X X	11.887 X 1.981 MM (0.468" X 5/64")
21	R27218	FITTING PLUG	1	X X	
22	AH125760	HYD. QUICK-CONNECT COUPLER	1	X X	
23	R77175	COVER	1	X X	
24	AH128449	HYDRAULIC FILTER	1	X X	
25	E65288	O-RING	1	X X	
26	H63271	PIN	2	X X	
27	H135497	GASKET	1	X X	
28	AH160745	HYDRAULIC PUMP	1	X X	(INCLUDES PARTS MARKED (A))

NOTE: PARTS ON THIS PAGE ARE ALSO FURNISHED AS PART OF AH160785 HYDROSTATIC DRIVE UNIT.

4E9

HYDROSTATIC DRIVE DISPLACEMENT CONTROL VALVE

HP2943 -UN-13AUG99



4E10

POWER TRAIN

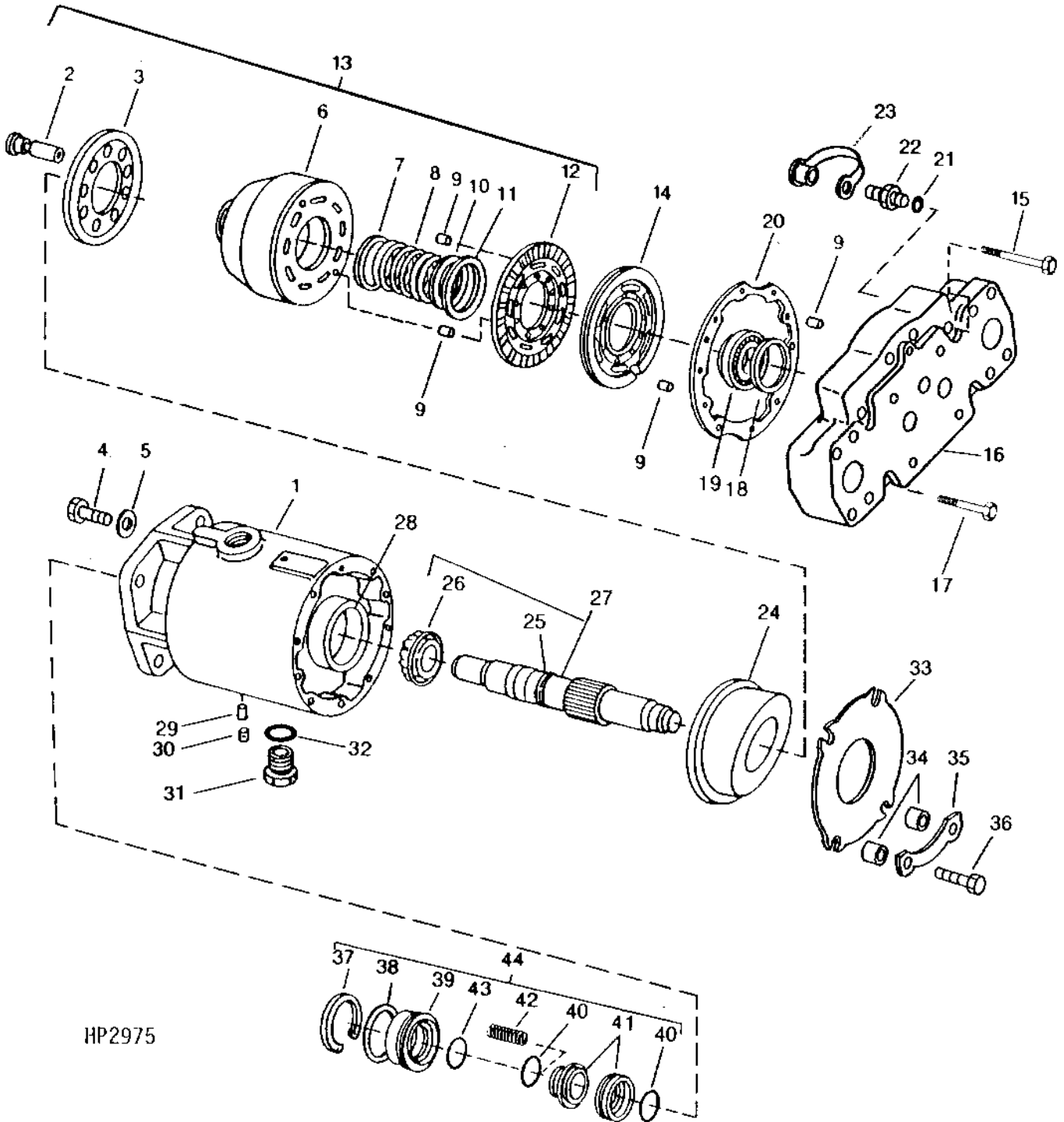
HYDROSTATIC DRIVE DISPLACEMENT CONTROL VALVE - CONTINUED

KEY	PART NO.	PART NAME	QTY	SERIAL NO.	S H 9 5 0 0	REMARKS
1	19H1875	CAP SCREW	2		X X	5/16" X 1-3/4"
2	HOUSING	1		X X	(B)
3	SPOOL	1		X X	(A)
4	WASHER	1		X X	(A)
5	SPRING	1		X X	(A)
6	RETAINER	1		X X	(A)
7	CAP SCREW	1		X X	(A)
8	AH129284	KIT	1		X X	(INCLUDES PARTS MARKED (A))
9	R27166	O-RING	1		X X	15.596 X 1.778 MM (0.614" X 0.070")
10	N126641	SCREW	1		X X	
11	AN122494	BOLT	1		X X	4.826 X 9.652 MM (0.190" X 0.380")
12	AN122499	BOLT	1		X X	9.525 X 12.700 MM (3/8" X 1/2")
13	N126586	GASKET	1		X X	
14	LINK	1		X X	(B)
15	M48000	SNAP RING	2		X X	
16	LINK	1		X X	(B)
17	CONNECTOR	1		X X	(B)
18	34H311	SPRING PIN	1		X X	1/4" X 7/8"
19	R26448	O-RING	2		X X	11.887 X 1.981 MM (0.468" X 5/64")
20	R27218	FITTING PLUG	2		X X	
21	14H785	NUT	1		X X	5/16"
22	12H291	LOCK WASHER	1		X X	5/16", (SUB 12M7032)
	12M7032	LOCK WASHER	1		X X	8.400 MM (0.331")
23	H168988	LEVER	1		X X	(SUB FOR H126583)
24	R65286	O-RING	1		X	9.246 X 1.778 MM (0.364" X 0.070") (SUB A3917R)
	A3917R	O-RING	1		X X	9.246 X 1.778 MM (0.364" X 0.070")
25	AN193084	SHAFT	1		X X	
26	19H1905	CAP SCREW	4		X X	5/16" X 1"
27	H136163	SEAL	1		X X	
28	AH131168	CONTROL VALVE	1		X X	(INCLUDES PARTS MARKED (B))

NOTE: PARTS ON THIS PAGE ARE ALSO FURNISHED AS PART OF AH160785 HYDROSTATIC DRIVE UNIT.
(SINGLE REDUCTION FINAL DRIVE)

4E11

HYDROSTATIC DRIVE MOTOR
(RING AND PINION)
HP2975 -UN-01JAN94



HP2975

THIS PARTS LISTING IS CONTINUED

4E12

POWER TRAIN

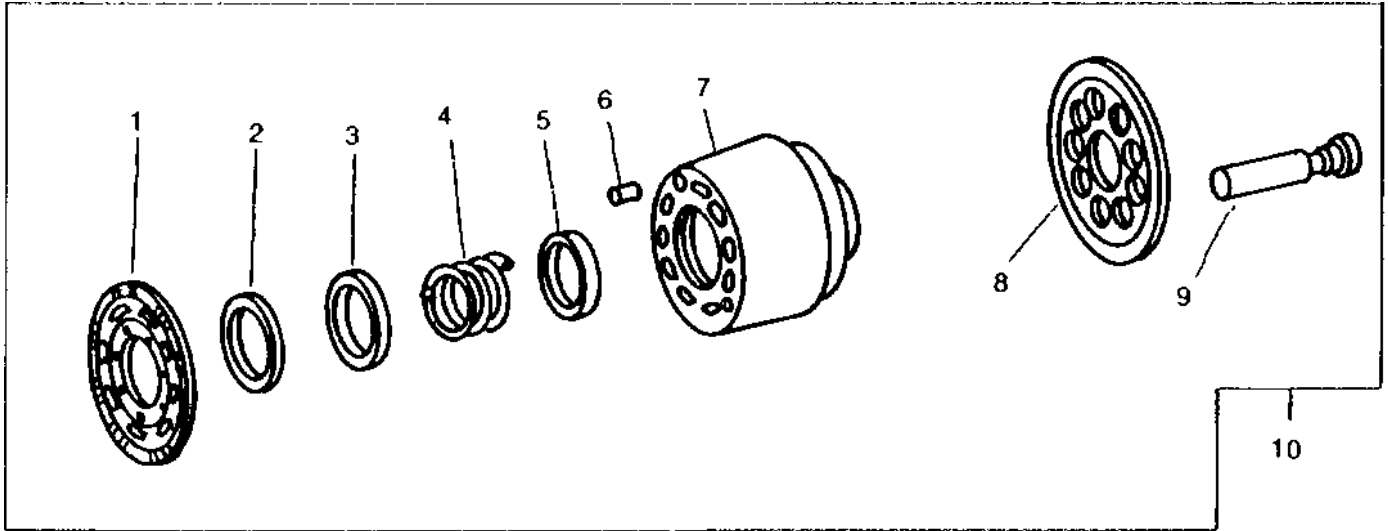
**HYDROSTATIC DRIVE MOTOR - CONTINUED
(RING AND PINION)**

KEY	PART NO.	PART NAME	QTY	SERIAL NO.	REMARKS
					S H 9 5 0 0 0
1	HOUSING	1	X X	(ORDER AH131310)
2	AH131169	PISTON	1	X X	
3	RETAINER	1	X X	(KIT AH131171)
4	19H3192	SCREW	2	X X	5/16" X 3"
5	H135571	SEALING WASHER	2	X X	8.738 X 12.700 X 0.838 MM (11/32" X 1/2" X 0.033")
6	CYLINDER BLOCK	1	X X	(KIT AH131171)
7	WASHER	1	X X	(KIT AH131171)
8	SPRING	1	X X	(KIT AH131171)
9	H63271	PIN	5	X X	
10	WASHER	1	X X	(KIT AH131171)
11	SNAP RING	1	X X	(KIT AH131171)
12	H135500	PLATE	1	X X	
13	AH131171	KIT	1	X X	
14	H135509	PLATE	1	X X	
15	19H1944	CAP SCREW	6	X X	3/8" X 2-3/4"
16	COVER	1	X X	(ORDER AH131310)
17	19H1800	CAP SCREW	2	X X	3/8" X 1-1/2"
18	AN122509	SHIM	1	X X	FIVE, .002", .005", .010" AND .015"
19	AN122507	ROLLER BEARING	1	X X	
20	H135508	GASKET	1	X X	
21	R26448	O-RING	2	X X	11.887 X 1.981 MM (0.468" X 5/64")
22	AH125760	HYD. QUICK-CONNECT COUPLER	2	X X	
23	R77175	COVER	2	X X	
24	SWASH PLATE	1	X X	(ORDER AH131310)
25	SNAP RING	1	X X	
26	FLANGE	1	X X	
27	AH133661	SHAFT	1	X X	
28	JD9113	BEARING CUP	1	X X	
29	H64813	DOWEL PIN	1	X X	
30	15H558	PIPE PLUG	1	X X	1/8"
31	R27175	DRAIN PLUG	1	X X	
32	U12547	O-RING	1	X X	23.470 X 2.946 MM (0.924" X 0.116")
33	PLATE	1	X X	(KIT AH131391)
34	SPACER	4	X X	(KIT AH131391)
35	STRAP	1	X X	(KIT AH131391)
36	19H3053	SCREW	4	X X	5/16" X 1"
37	N126612	SNAP RING	1	X X	
38	T19832	O-RING	1	X X	64.770 X 2.616 MM (2.550" X 0.103") (SUB R112857)
39	RETAINER	1	X X	(KIT AN193085)
40	N196034	O-RING	2	X X	42.520 X 2.616 MM (1.674" X 0.103")
41	SEAL KIT	1	X X	(KIT AN193085)
42	N191174	SPRING	6	X X	
43	U15415	O-RING	1	X X	34.646 X 1.778 MM (1.364" X 0.070")
44	AN193085	SEAL KIT	1	X X	
..	AH131391	KIT	1	X X	(INCLUDES KEYS 33, 34 AND 35)
..	AH131310	MOTOR	1	X X	(INCLUDES AH131173 MOTOR VALVE)
					REMANUFACTURED

4E13

**HYDROSTATIC DRIVE MOTOR KIT
(RING AND PINION)**

HP2942 -UN-01JAN94



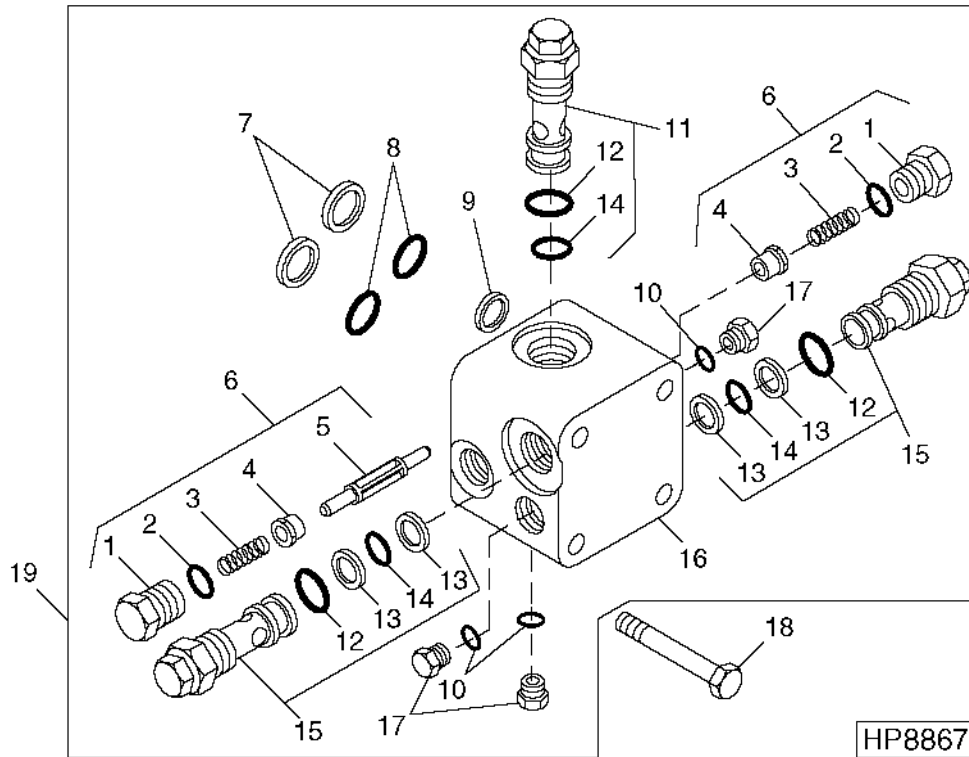
HP2942

KEY	PART NO.	PART NAME	QTY	SERIAL NO.	S H 9 5 0 0	REMARKS
1	H135500	PLATE	1		X X	
2	SNAP RING	1		X X	
3	SPACER	1		X X	
4	SPRING	1		X X	
5	SPACER	1		X X	
6	H63271	PIN	2		X X	
7	CYLINDER BLOCK	1		X X	
8	PLATE	1		X X	
9	AH131169	PISTON	1		X X	(INCLUDES 9 PISTONS)
10	AH131171	KIT	1		X X	

4E14

**HYDROSTATIC MOTOR VALVE
(RING AND PINION)**

HP8867 -UN-27JUL99



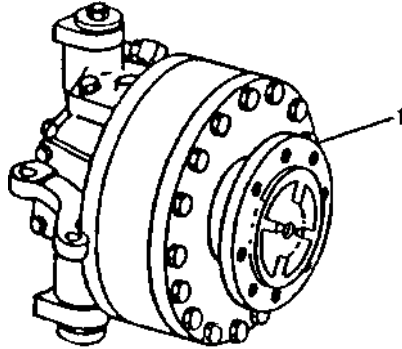
S
H
9 9
5 5
0 0
0 0

KEY	PART NO.	PART NAME	QTY	SERIAL NO.	REMARKS
1	PLUG	2		X X (KIT AH131308)
	R27175	DRAIN PLUG	2	-29SEP7	X X
2	R26906	O-RING	2		X X 19.177 X 2.464 MM (0.755" X 0.097")
	U12547	O-RING	2	-29SEP7	X X
3	SPRING	1		X X (KIT AH131308)
4	N126654	VALVE	2		X X SHUTTLE
5	N128541	SPOOL	1		X X SHUTTLE
6	AH131308	KIT	1		X X
7	U40729	BACK-UP RING	2		X X 22.682 X 27.051 X 1.143 MM (0.893" X 1.065" X 0.045")
8	N130510	O-RING	2		X X 21.895 X 2.616 MM (0.862" X 0.103")
9	N126588	WASHER	1	-646346	X X 18.796 X 22.352 X 1.778 MM (0.740" X 0.880" X 0.070") (SUB AN272356)
	AN272356	SEAL KIT	1		X X
10	R28782	O-RING	3		X X 8.915 X 1.829 MM (0.351" X 0.072")
11	AN122497	RELIEF VALVE	1		X X LOW PRESSURE
12	U17409	O-RING	3		X X 26.619 X 2.946 MM (1.048" X 0.116")
13	H63288	RING	4		X X 21.133 X 25.502 X 1.245 MM (0.832" X 1.004" X 0.049")
14	H63289	O-RING	3		X X 20.295 X 2.616 MM (0.799" X 0.103")
15	AH129280	RELIEF VALVE	2	-29SEP7	X X (INCLUDES U17407, H63288 AND H63289) HIGH PRESSURE
	AH131174	RELIEF VALVE	2		X X HIGH PRESSURE
16	CASE	1		X X (ORDER AH131173)
17	R51031	FITTING	3		X X
18	19H2228	CAP SCREW	4		X X 3/8" X 4"
19	AH131173	VALVE	1	-646484	X X (SUB AH141811) (WITHOUT 19H2228)
	AH141811	VALVE	1		X X

MEMORANDA

4E15

CAM LOBE MOTOR
RXP6972 -UN-01JAN94



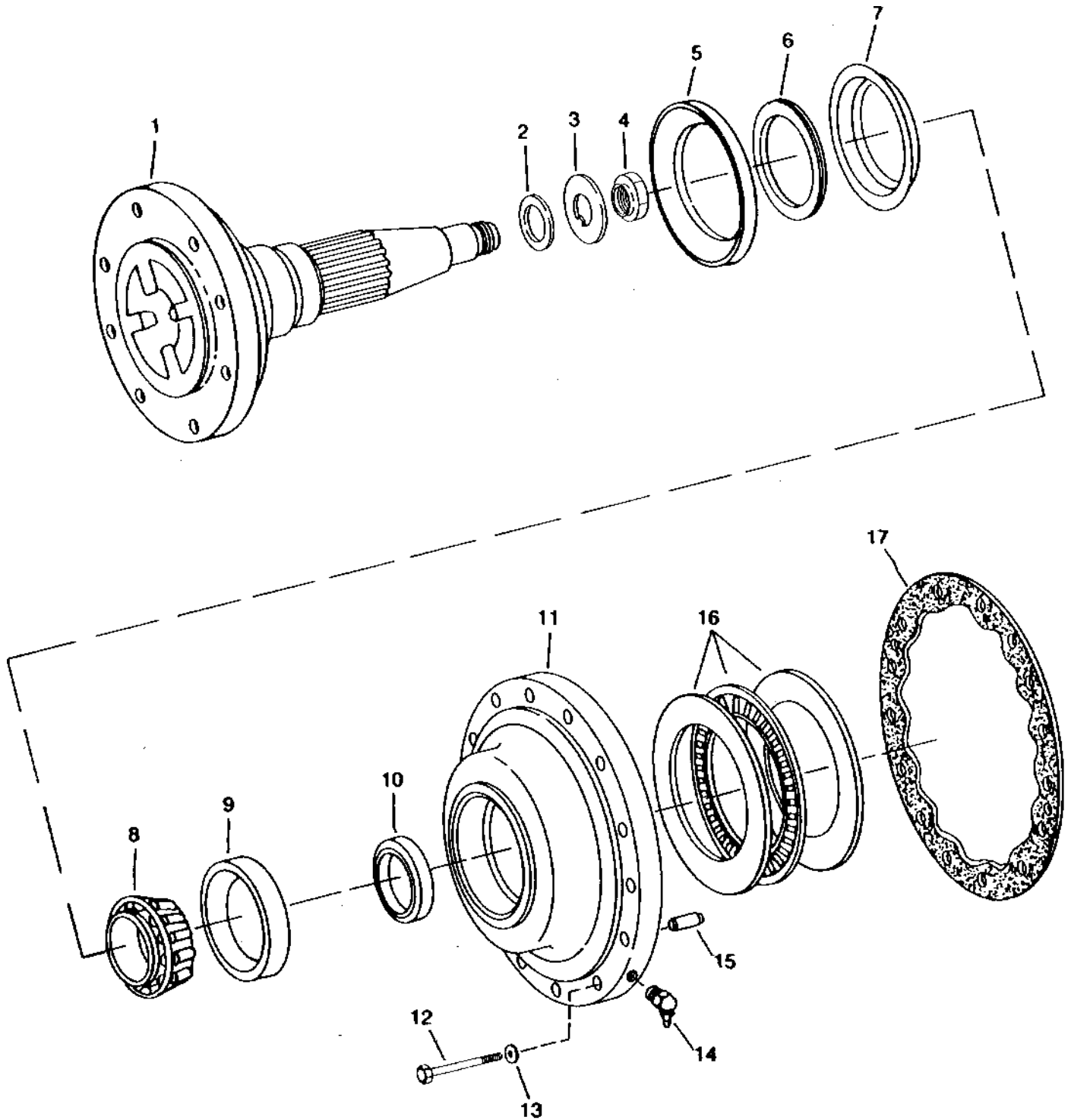
RXP6972

KEY	PART NO.	PART NAME	QTY	SERIAL NO.	REMARKS
				S H 9 9 5 5 0 0 0 0	
1	RE33336	MOTOR	1	X X	R.H. COMPLETE COMPONENT; (1200 CC)
	RE33337	MOTOR	1	X X	L.H. COMPLETE COMPONENT (1200 CC)
	RE33338	MOTOR	1	X	R.H. COMPLETE COMPONENT; (1600 CC) RICE
	RE33339	MOTOR	1	X	L.H. COMPLETE COMPONENT; (1600 CC) RICE ONLY
..	BH71746	COMPLETE GOODS/SHIP. BUNDLE	1	X X	4-WHEEL DRIVE COVERS
..	BH71883	COMPLETE GOODS/SHIP. BUNDLE	1	X X	4-WHEEL DRIVE COVERS (CORN, GRAIN)
..	BH80002	COMPLETE GOODS/SHIP. BUNDLE	1	X X	4-WHEEL DRIVE COVERS (RICE)

4E16

POWER TRAIN

SHAFT, OUTER COVER, BEARING AND SEALS
CAM LOBE MOTOR
RXP6957 -UN-01JAN94



RXP6957

4E17

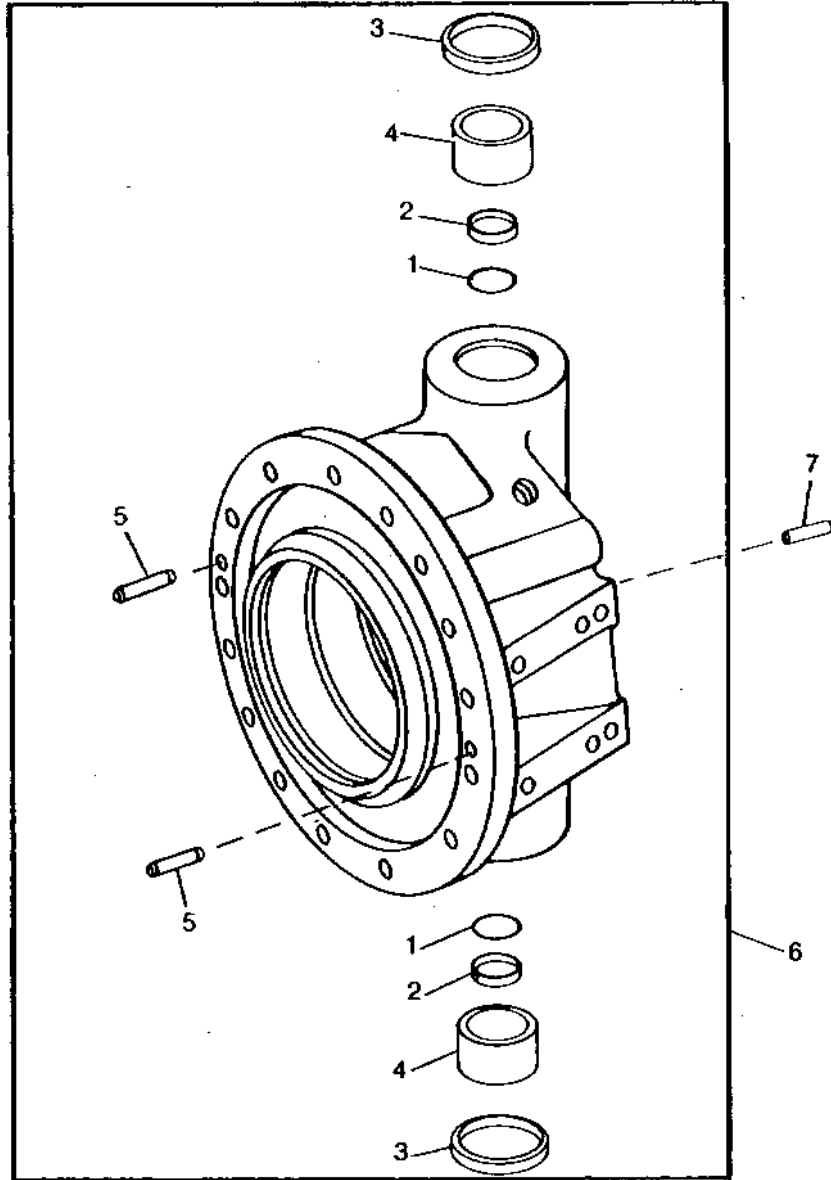
POWER TRAIN

SHAFT, OUTER COVER, BEARING AND SEALS - CONTINUED
CAM LOBE MOTOR

KEY	PART NO.	PART NAME	QTY	SERIAL NO.	S H 9 5 0 0 0 0	REMARKS
1	R88972	SPINDLE	1		X X	(SUB R111995) (ALSO ORDER RE49243)
	R111995	SPINDLE	1		X X	
2	JD9849	THRUST BEARING	1		X X	
3	R93180	WASHER	1		X X	
4	R92160	NUT	1		X X	
5	R93030	SEAL	1		X X	
6	RE31701	SEAL	1	-642578	X X	(USE WITH R88972)
	RE49243	SEAL	1		X X	(USE WITH R111995)
7	R57269	OIL CUP	1		X X	
8	JD10462	BEARING CONE	1		X X	
9	JD7448	BEARING CUP	1		X X	
10	RE32824	SEAL	1		X X	
11	R88829	COVER	1		X X	
12	R89610	CAP SCREW	15		X X	1/2" X 6"
13	R32214	WASHER	15		X X	13.106 X 22.225 X 2.286 MM (33/64" X 7/8" X 0.090")
14	JD7847	LUBRICATION FITTING	1		X X	
15	R26650	DOWEL PIN	2		X X	
16	RE68401	THRUST BEARING	1		X X	(SUB FOR RE22642)
17	R93142	GASKET	1		X X	

4E18

INNER COVER
RXP7788 -UN-01JAN94



RXP7788

4E19

POWER TRAIN

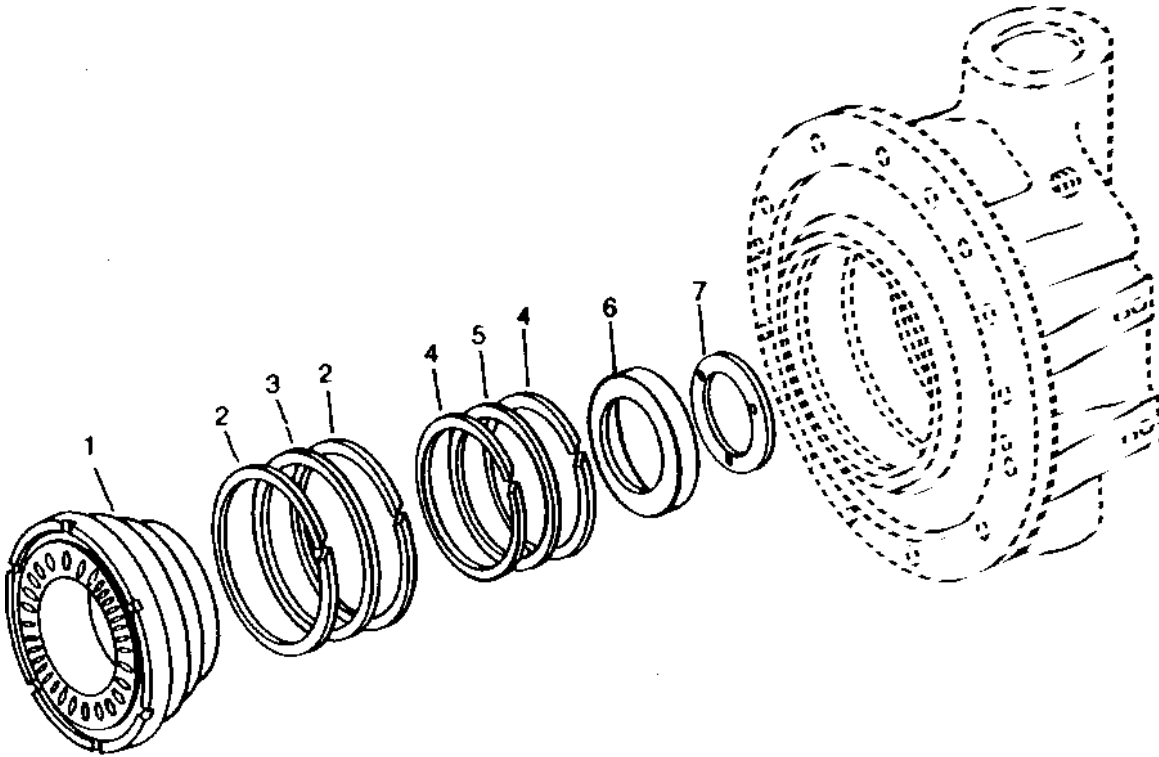
INNER COVER - CONTINUED

KEY	PART NO.	PART NAME	QTY	SERIAL NO.	S H 9 9 5 5 0 0 0 0	REMARKS
1	U11647	O-RING	2		X X	
2	R73102	WASHER	2		X X	
3	AR86539	SEAL	2		X X	
4	R68102	BUSHING	2		X X	
5	R26650	DOWEL PIN	2		X X	
6	RE39131	COVER	1		X X	(MARKED R93105)
7	R71711	DOWEL PIN	1		X X	

4E20

POWER TRAIN

MANIFOLD AND PACKING
RXP7841 -UN-01JAN94



RXP7841

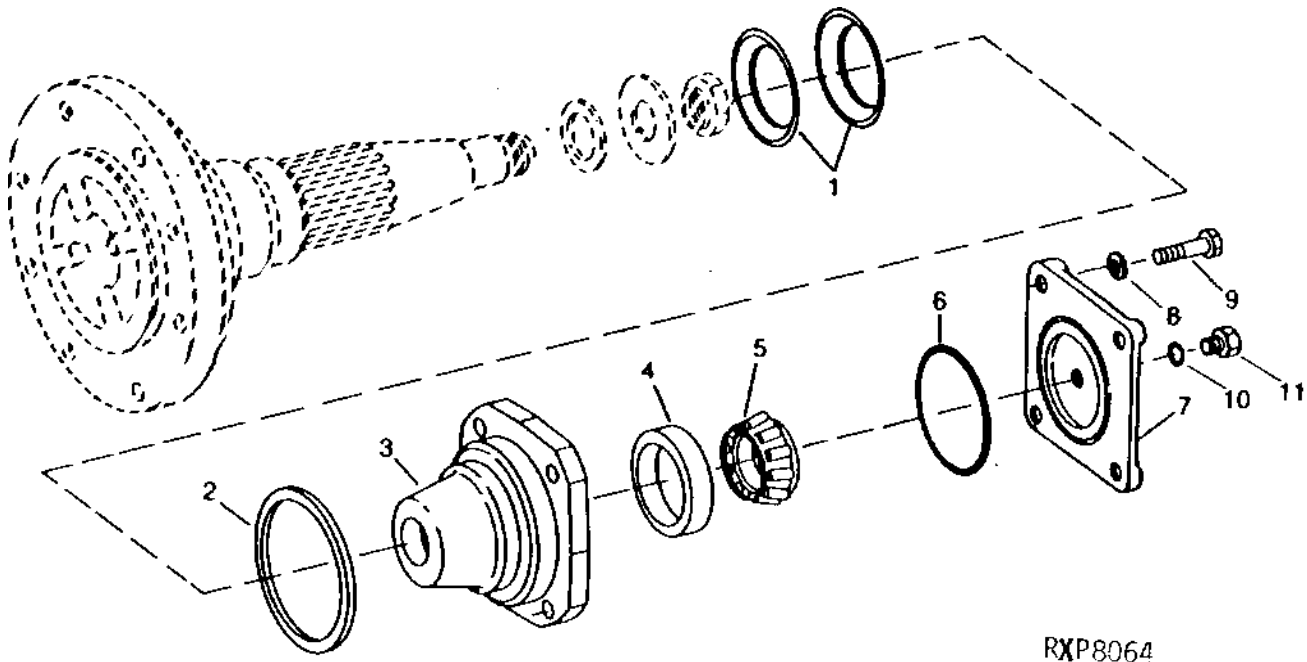
KEY	PART NO.	PART NAME	QTY	SERIAL NO.	REMARKS
1	R99377	MANIFOLD	1		
2	R74690	BACK-UP RING	2		
3	R74696	WASHER	1		
4	R74689	BACK-UP RING	2		
5	R74697	WASHER	1		
6	R74693	PACKING	1		
7	R74694	BACK-UP RING	1		

S
H
9 9
5 5
0 0
0 0

4E21

POWER TRAIN

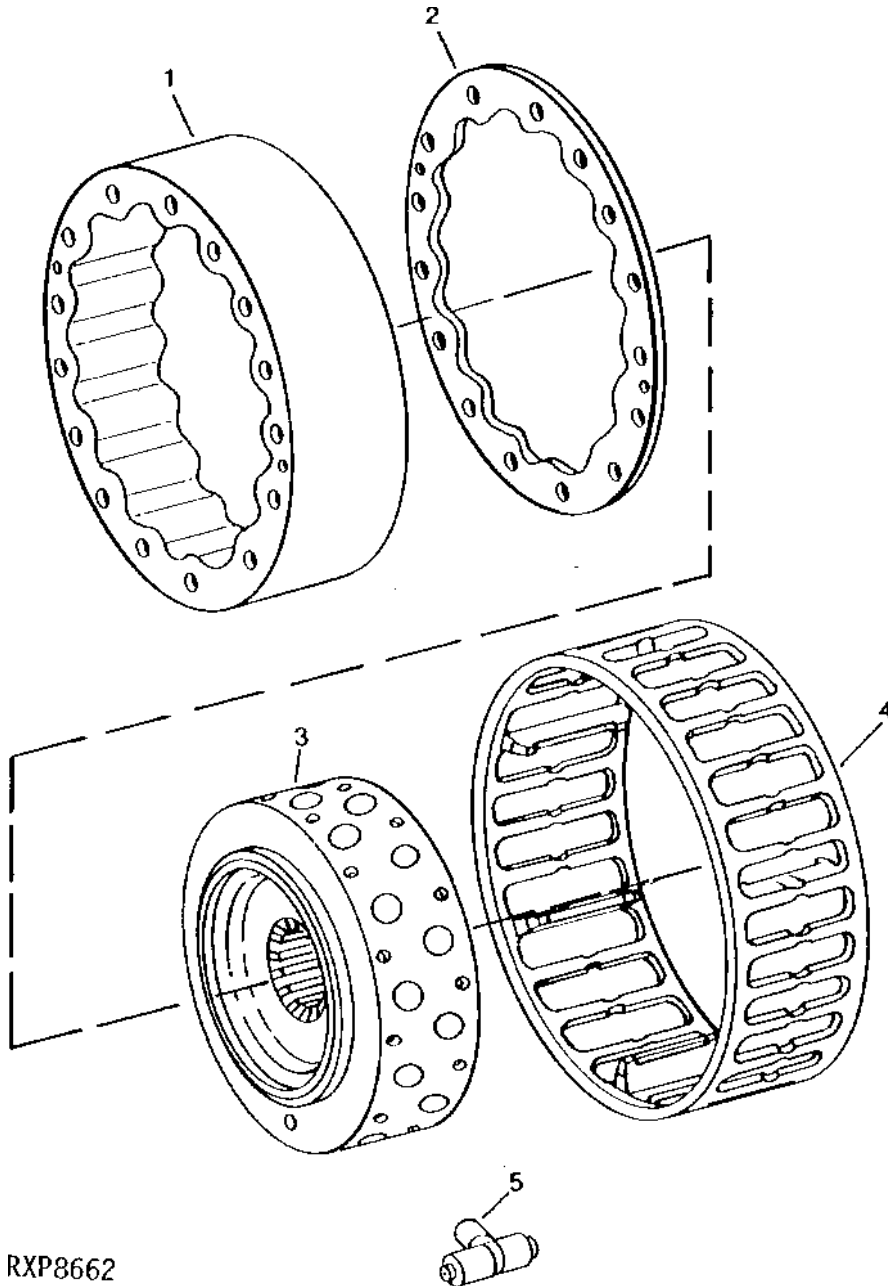
QUILL, BEARING AND COVER
RXP8064 -UN-01JAN94



KEY	PART NO.	PART NAME	QTY	SERIAL NO.	S H 9 9 5 5 0 0 0 0	REMARKS
1	R85588	WASHER	2		X X	78.700 X 112 X 1.780 MM (3.098" X 4.409" X 0.070")
2	R39876	PACKING	1		X X	
3	R92104	BEARING HOUSING W/O BEARING	1		X X	
4	JD9109	BEARING CUP	1		X X	
5	JD9043	BEARING CONE	1		X X	
6	E55758	O-RING	1		X X	113.970 X 2.616 MM (4.487" X 0.103")
7	R100727	COVER	1		X X	(SUB FOR R92387)
8	R69536	WASHER	6		X X	10.500 X 18.500 X 3 MM (0.413" X 0.728" X 0.118")
9	19H3065	CAP SCREW	6		X X	3/8" X 2", (SUB FOR 19H3267)
10	R28782	O-RING	1		X X	8.915 X 1.829 MM (0.351" X 0.072")
11	R51031	FITTING	1		X X	

4E22

CARRIER, PISTONS AND CAM
RXP8662 -UN-01JAN94



RXP8662

4E23

POWER TRAIN

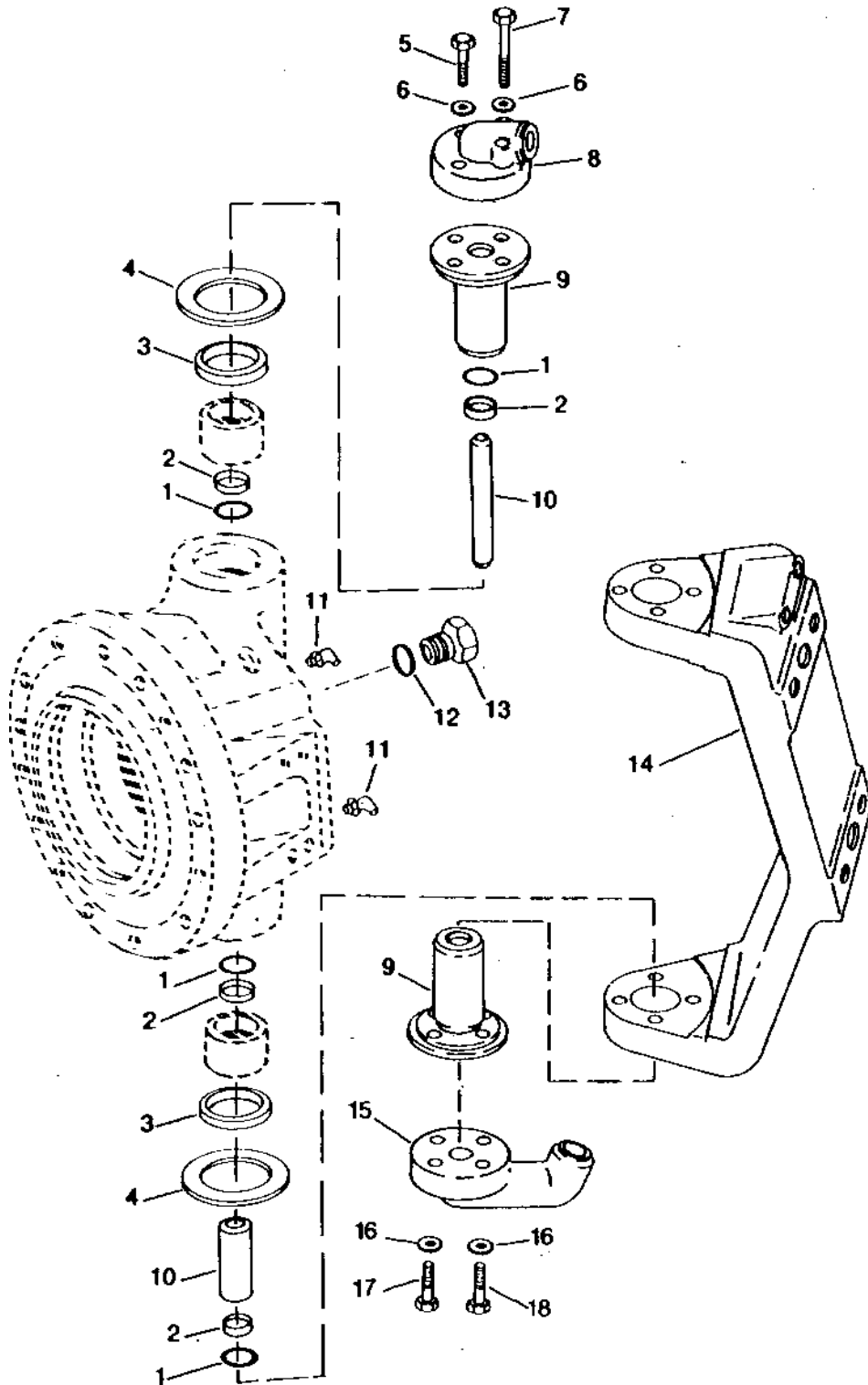
CARRIER, PISTONS AND CAM - CONTINUED

KEY	PART NO.	PART NAME	QTY	SERIAL NO.	S H 9 9 5 5 0 0 0 0	REMARKS
1	R92148	CAM	1		X X	(SUB FOR R69927)
2	R93142	GASKET	1		X X	
3	R88959	HYD. MOTOR PISTON CARRIER	1		X X	(A)
4	R92979	GUIDE	1		X X	(A)
5	RE27837	HYD. MOTOR PISTON CARRIER	18		X X	(A)

(A) 1200 CC

4E24

YOKE, PIVOTS AND CAPS
RXP7667 -UN-01JAN94



RXP7667

4E25

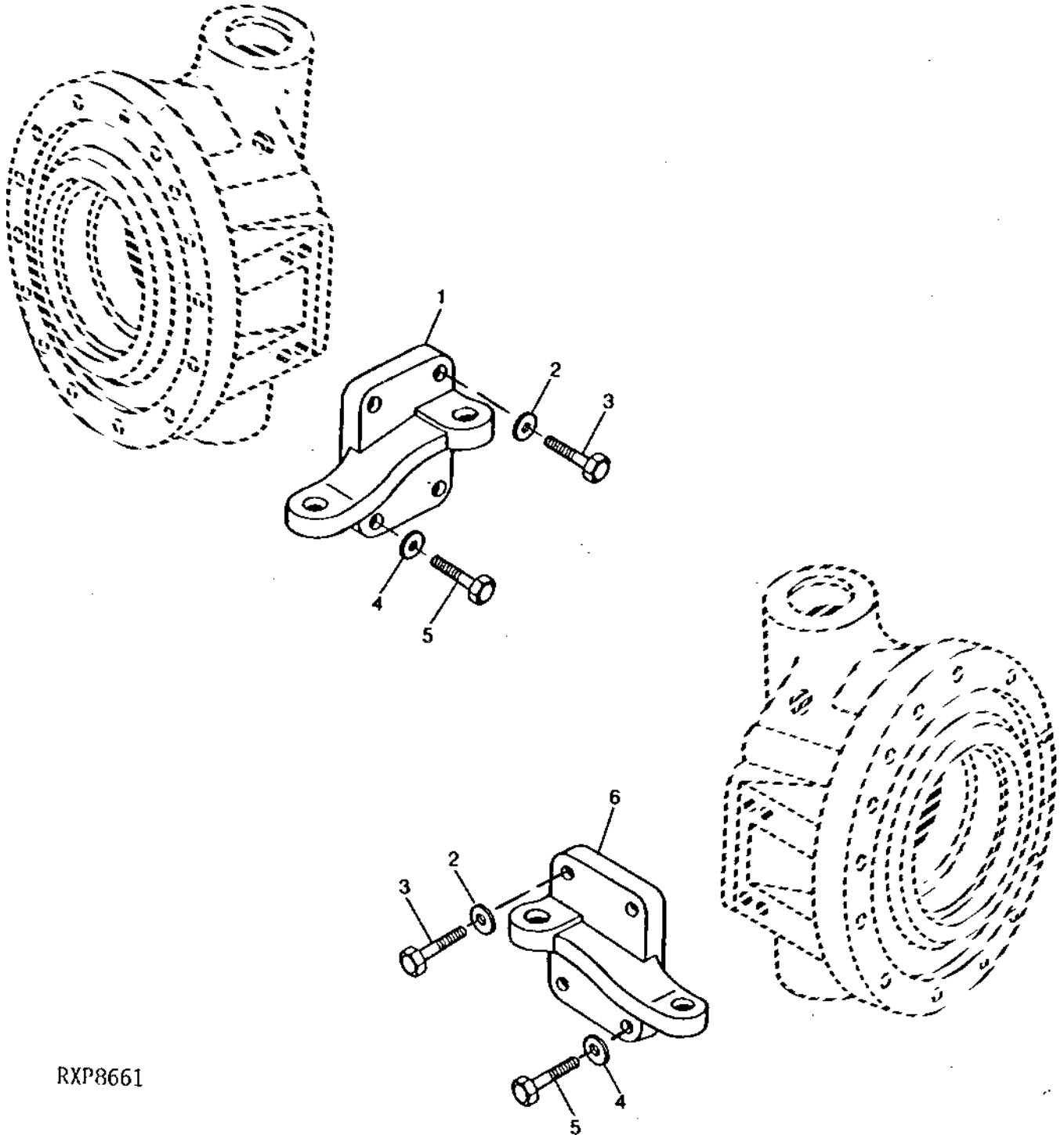
YOKE, PIVOTS AND CAPS - CONTINUED

KEY	PART NO.	PART NAME	QTY	SERIAL NO.	S H 9 5 0 0	REMARKS
1	U11647	O-RING	4		X X	21.819 X 3.531 MM (55/64" X 0.139")
2	R73102	WASHER	4		X X	22.300 X 28.300 X 1.270 MM (0.878" X 1.114" X 0.050")
3	AR86539	SEAL	2		X X	
4	R60239	THRUST WASHER	2		X X	51.500 X 101.500 X 3.040 MM (2.028" X 3.996" X 0.120")
5	19H3267	CAP SCREW	2		X X	3/8" X 1-5/8"
6	R69536	WASHER	4		X X	10.500 X 18.500 X 3 MM (0.413" X 0.728" X 0.118")
7	19H2855	CAP SCREW	2		X X	3/8" X 3-1/4"
8	R85374	CAP	1		X X	
9	R85376	PIN	2		X X	
10	R85378	TUBE	2		X X	
11	JD7799	LUBRICATION FITTING	3		X X	90° X 19.558 MM LONG (0.770" LONG) 65° X 0.840" LONG, (SUB FOR JD7847)
12	R26375	O-RING	1		X X	16.358 X 2.210 MM (0.644" X 0.087")
13	R39112	FITTING	1		X X	
14	R89015	YOKE	1		X X	
15	R85373	CAP	1		X X	
16	R69536	WASHER	4		X X	10.500 X 18.500 X 3 MM (0.413" X 0.728" X 0.118")
17	19H3267	CAP SCREW	2		X X	3/8" X 1-5/8"
18	19H3031	CAP SCREW	2		X X	3/8" X 2-1/2"
..	H75423	PIN	2		X X	22.073 X 19.812 MM (0.869" X 0.780")
..	H144293	WASHER	4		X X	HARDWARE FOR KEY 14 20 X 45 X 10 MM (0.787" X 1.772" X 0.394") HARDWARE FOR KEY 14
..	19H3126	CAP SCREW	4		X X	19.050 X 57.150 MM (3/4" X 2-1/4") HARDWARE FOR KEY 14

4F1

STEERING ARMS

RXP8661 -UN-01JAN94



RXP8661

4F2

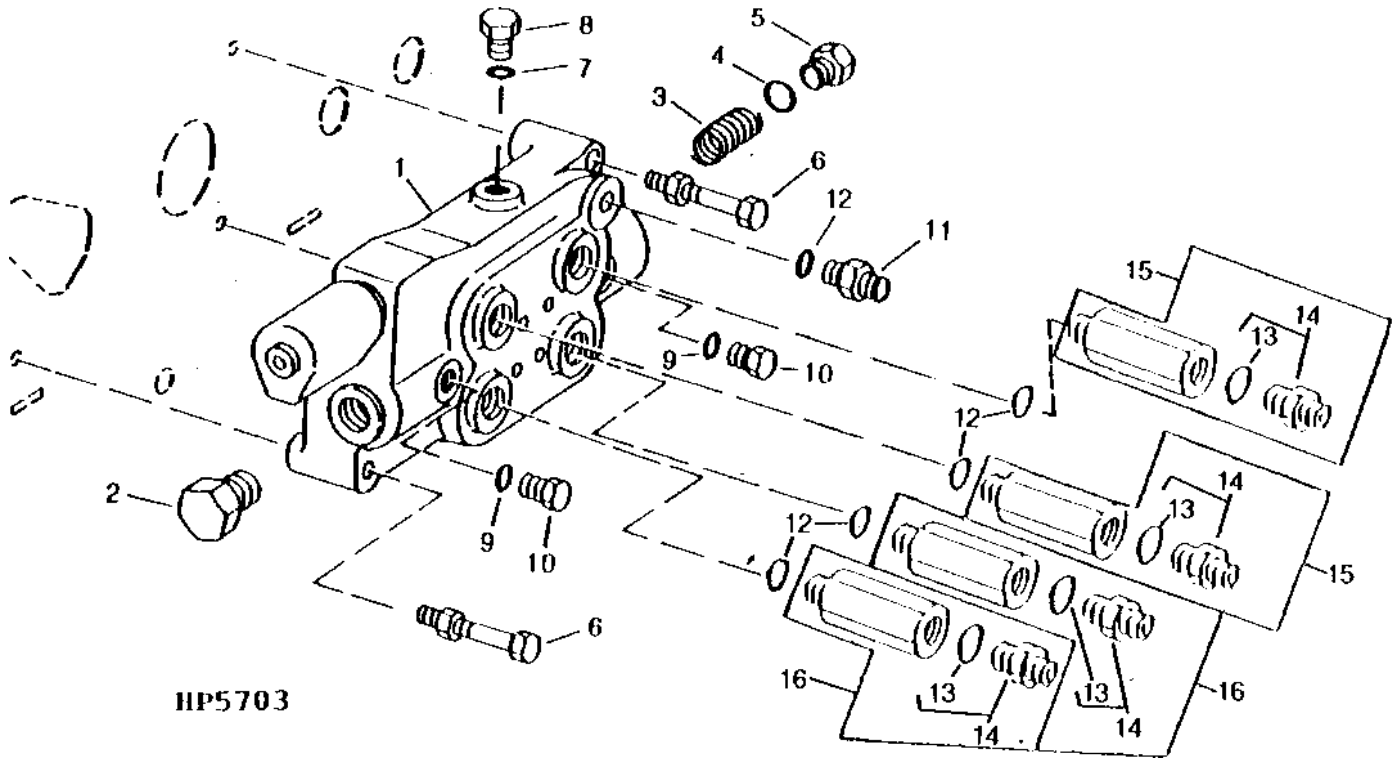
STEERING ARMS - CONTINUED

KEY	PART NO.	PART NAME	QTY	SERIAL NO.	S H 9 5 0 0	REMARKS
1	R92977	STEERING ARM	1		X X	L.H.
2	U41353	WASHER	2		X X	16.662 X 25.400 X 1.524 MM (21/32" X 1" X 0.060")
3	19H2710	CAP SCREW	2		X X	5/8" X 1-3/4"
4	R32214	WASHER	2		X X	13.106 X 22.225 X 2.286 MM (33/64" X 7/8" X 0.090")
5	19H2993	CAP SCREW	2		X X	1/2" X 1-1/2"
6	R92978	STEERING ARM	1		X X	R.H.

4F3

POWER TRAIN

CONTROL VALVE (-655200)
(4-WHEEL DRIVE)
 HP5703 -UN-01JAN94



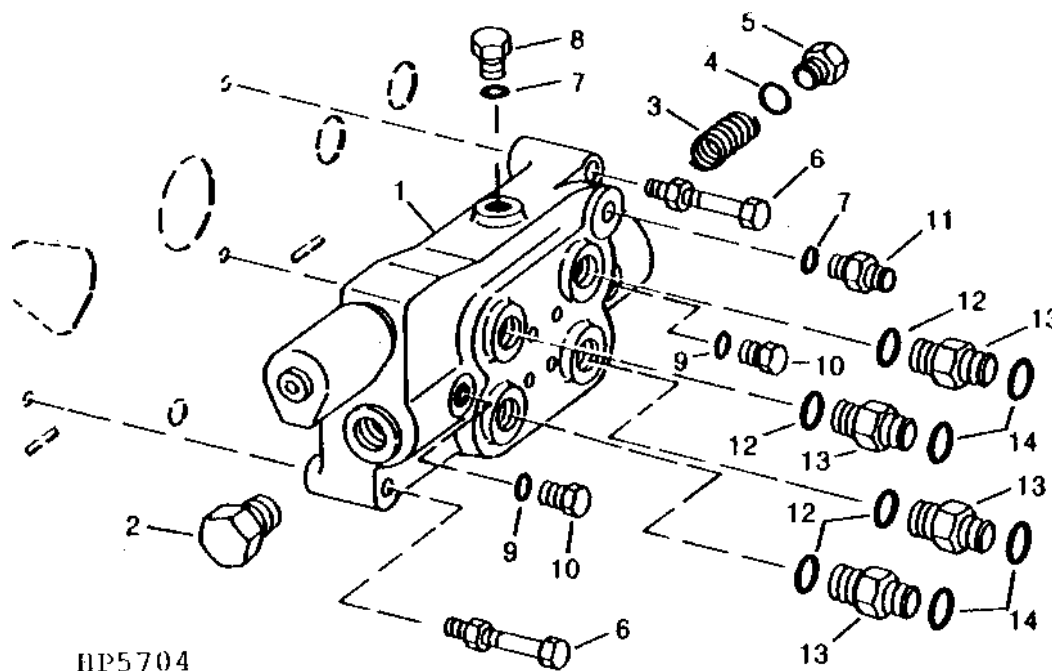
HP5703

S
H
9 9
5 5
0 0
0 0

KEY	PART NO.	PART NAME	QTY	SERIAL NO.	REMARKS
1	AH128672	VALVE	1	X X	CONTROL WITH SOLENOID
2	AU40993	FITTING	1	X X	
3	R45182	SPRING	1	X X	
4	R31674	O-RING	1	X X	25.070 X 2.616 MM (0.987" X 0.103")
5	AH84695	FITTING	1	X X	
6	19M7803	SCREW	3	X X	M8 X 70
	14M7298	FLANGE NUT	3	X X	M8
7	R26448	O-RING	2	X X	11.887 X 1.981 MM (0.468" X 5/64")
8	R27218	FITTING PLUG	1	X X	
9	R28782	O-RING	2	X X	8.915 X 1.829 MM (0.351" X 0.072")
10	R51031	FITTING	2	X X	
11	38H1329	ADAPTER	1	X X	
12	U12547	O-RING	4	X X	23.470 X 2.946 MM (0.924" X 0.116")
13	H84318	O-RING	4	X X	31.420 X 2.616 MM (1.237" X 0.103")
14	AH140433	FITTING	4	X X	INCLUDES H84318 O-RING
15	AH130950	CONTROL VALVE	2	X X	REVERSE (WITH 1200 CC REAR MOTOR) OR WITH 1600 CC IF RING AND PINION FINAL DRIVE, PORTS "B" AND "D"
	AH121150	CONTROL VALVE	2	X X	REVERSE (WITH 1600 CC REAR MOTOR) AND PLANE- TARY FINAL DRIVE, PORTS "B" AND "D"
16	AH121150	CONTROL VALVE	2	X X	FORWARD (WITH 1200 CC REAR MOTOR) OR WITH 160 CC IF RING AND PINION FINAL DRIVE, PORTS "A" AND "C"
	AH121149	CONTROL VALVE	2	X X	FORWARD (WITH 1600 CC REAR MOTOR) AND PLANE- TARY FINAL DRIVE, PORTS "A" AND "C"
..	BH79903	COMPLETE GOODS/SHIP. BUNDLE	1	X X	VALVE ASSEMBLY AND AXLE HOSES

4F4

CONTROL VALVE (655201-)
 (4-WHEEL DRIVE)
 HP5704 -UN-01JAN94



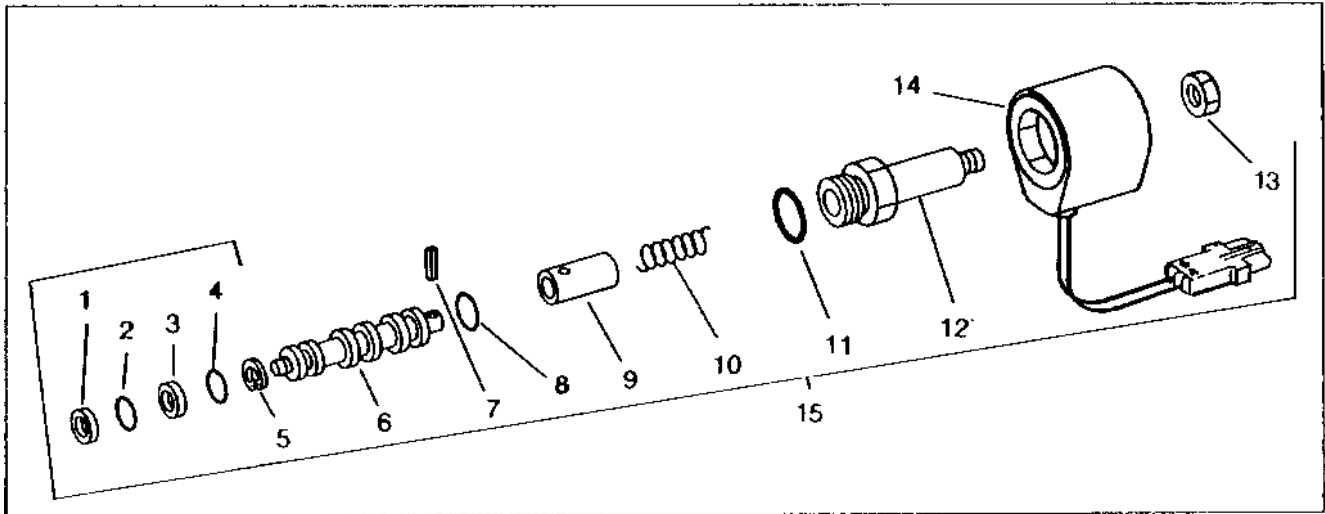
HP5704

KEY	PART NO.	PART NAME	QTY	SERIAL NO.	REMARKS
				S	
				H	
			9	9	
			5	5	
			0	0	
			0	0	
1	AH128672	VALVE	1	X X	CONTROL WITH SOLENOID
2	AU40993	FITTING	1	X X	
3	R45182	SPRING	1	X X	
4	R31674	O-RING	1	X X	25.070 X 2.616 MM (0.987" X 0.103")
5	AH84695	FITTING	1	X X	
6	14M7298	FLANGE NUT	3	X X	M8
	19M7803	SCREW	3	X X	M8 X 70
7	R26448	O-RING	2	X X	11.887 X 1.981 MM (0.468" X 5/64")
8	R27218	FITTING PLUG	1	X X	
9	R28782	O-RING	2	X X	8.915 X 1.829 MM (0.351" X 0.072")
10	R51031	FITTING	2	X X	
11	38H1168	ADAPTER	1	X X	
12	U12547	O-RING	4	X X	23.470 X 2.946 MM (0.924" X 0.116")
13	38H1329	ADAPTER	4	X X	
14	T77932	O-RING	4	X X	15.596 X 1.778 MM (0.614" X 0.070")

CONTROL VALVE SOLENOID

(4-WHEEL DRIVE)

HP2880 -UN-01JAN94



HP2880

16

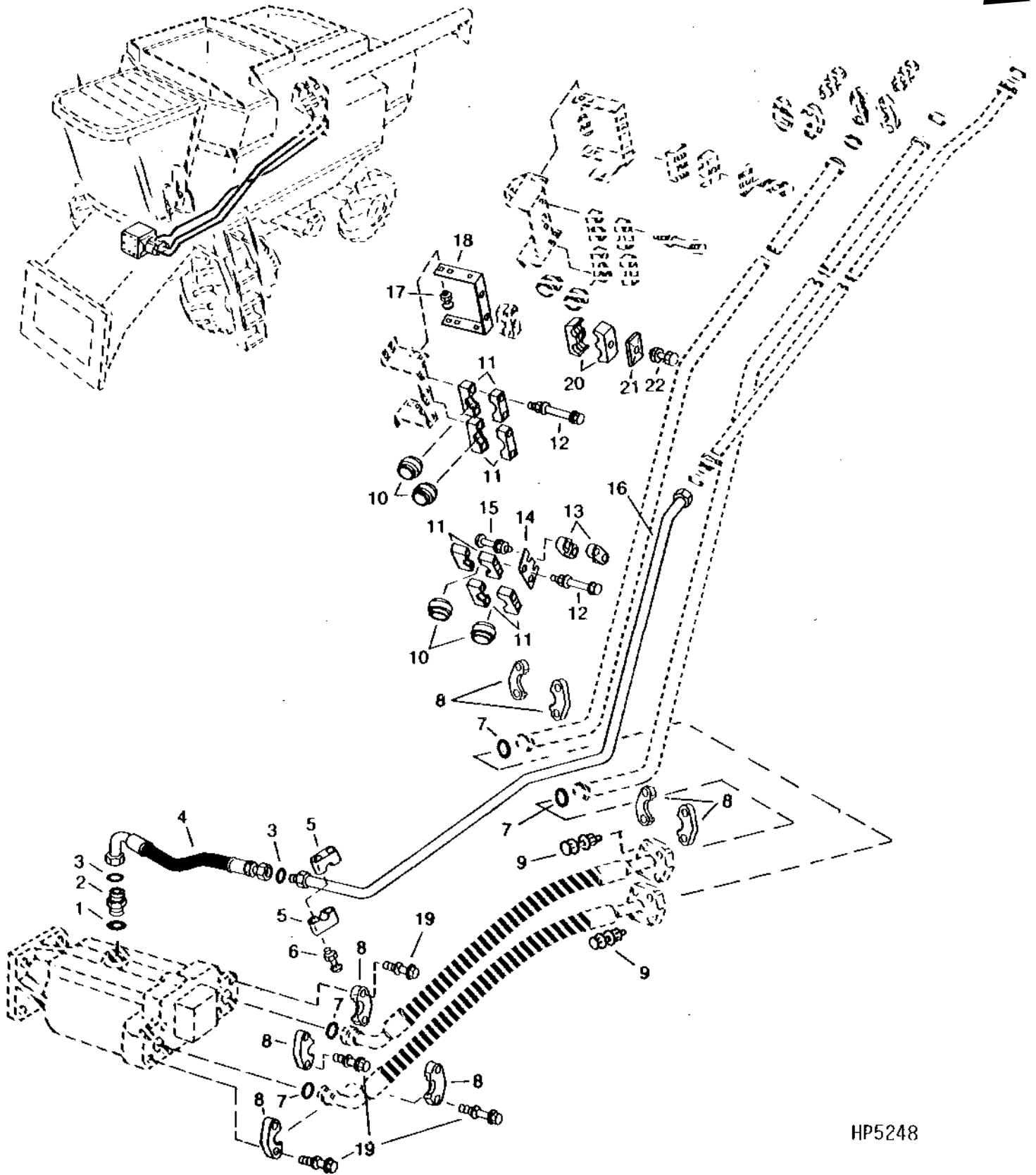
KEY	PART NO.	PART NAME	QTY	SERIAL NO.	S	H	REMARKS
1	R42926	BACK-UP RING	1		X	X	13.157 X 15.850 X 1.143 MM (0.518" X 0.624" X 0.045")
2	R45186	O-RING	1	-646130	X	X	12.421 X 1.778 MM (0.489" X 0.070") (SUB T77857)
3	T77857	O-RING	1		X	X	12.421 X 1.778 MM (0.489" X 0.070")
	R45187	BACK-UP RING	1		X	X	16.332 X 19.025 X 1.143 MM (0.643" X 0.749" X 0.045")
4	R45638	O-RING	1		X	X	15.596 X 1.778 MM (0.614" X 0.070")
5	R46701	SNAP RING	1		X	X	
6	VALVE SPOOL	1		X	X	(KIT AH128655 OR AH130949)
7	34H227	SPRING PIN	1		X	X	3/32" X 1/2"
8	N31772	O-RING	1		X	X	18.771 X 1.778 MM (0.739" X 0.070")
9	PLUNGER	1		X	X	(KIT AH128655 OR AH130949)
10	R64698	SPRING	1		X	X	
11	U12547	O-RING	1		X	X	23.470 X 2.946 MM (0.924" X 0.116")
12	GUIDE	1		X	X	(KIT AH128655 OR AH130949)
13	M63707	LOCK NUT	1		X	X	6.350 MM (1/4")
14	AH128654	ELECTRICAL COIL	1		X	X	
	R78053	PIN CONTACT CONNECTOR BODY	1		X	X	(PKG OF 3)
	R78059	ELECTRICAL PLUG	1		X	X	(PKG OF 40)
	R78061	PIN CONTACT	1		X	X	(PKG OF 40)
15	AH130949	SOLENOID VALVE	1		X	X	
16	AH128655	SOLENOID VALVE	1		X	X	
..	BH71746	COMPLETE GOODS/SHIP. BUNDLE	1		X	X	4-WHEEL DRIVE CONVERSION
..	BH71883	COMPLETE GOODS/SHIP. BUNDLE	1		X	X	4-WHEEL DRIVE CONVERSION
..	BH80002	COMPLETE GOODS/SHIP. BUNDLE	1		X	X	4-WHEEL DRIVE CONVERSION

MEMORANDA

4F6

POWER TRAIN

HYDROSTATIC DRIVE OIL LINES AND HOSES, LOWER
(TWO AND FOUR WHEEL DRIVE)
(-655200)
HP5248 -UN-01JAN94



HP5248

4F7

POWER TRAIN

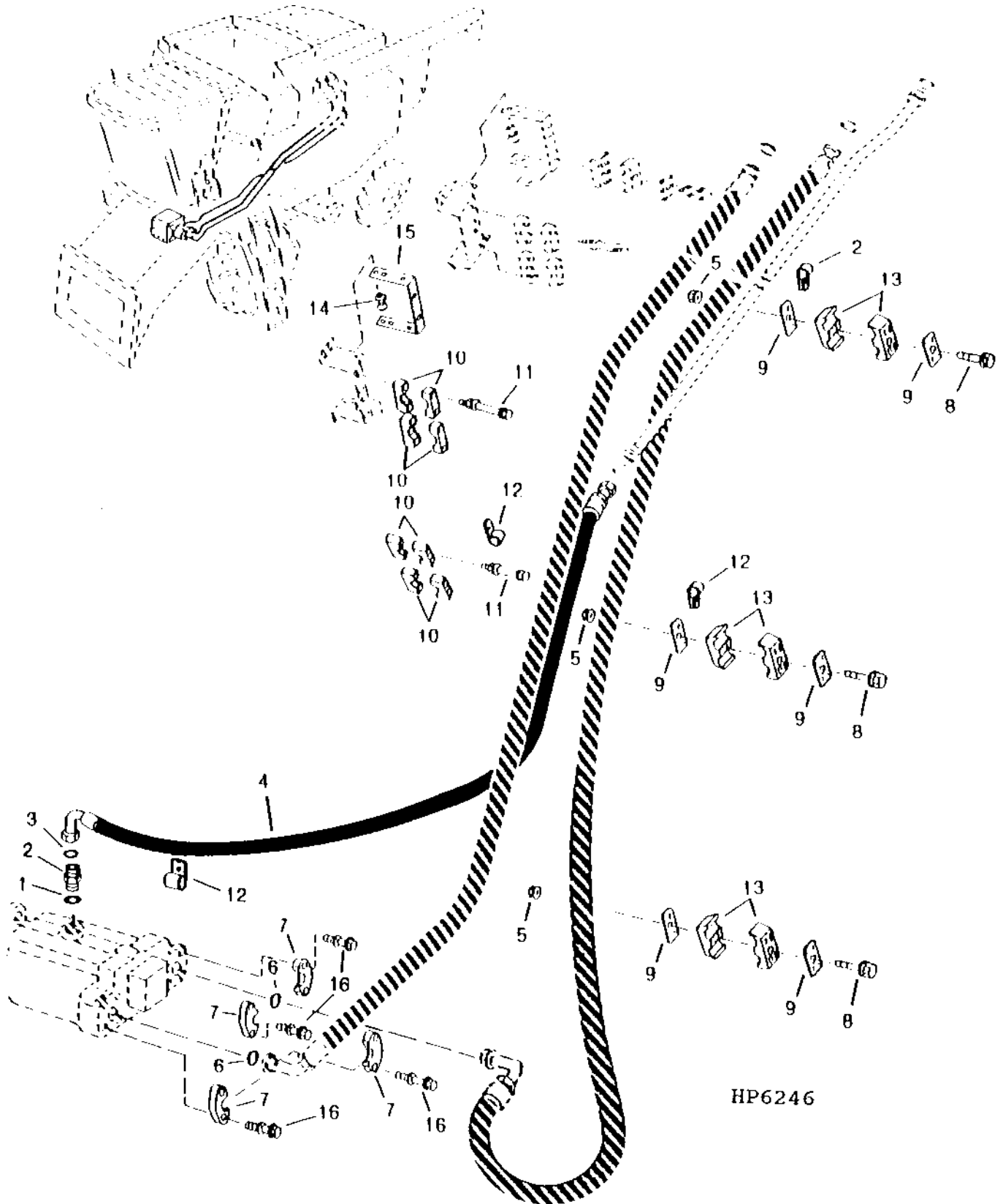
HYDROSTATIC DRIVE OIL LINES AND HOSES, LOWER - CONTINUED
(TWO AND FOUR WHEEL DRIVE)
(-655200)

KEY	PART NO.	PART NAME	QTY	SERIAL NO.	S H 9 5 0 0 0 0	REMARKS
1	U12547	O-RING	1	X		23.470 X 2.946 MM (0.924" X 0.116")
2	38H1163	ADAPTER	1	X		
3	T77858	O-RING	4	X		18.771 X 1.778 MM (0.739" X 0.070")
4	AH128997	HYDRAULIC HOSE	1	X		1-3/16" X 460 MM (18") X 1-3/16" (CASE DRAIN)
5	H114876	CLAMP	2	X		
6	03M7216	BOLT	2	X		M8 X 50 (RD. HEAD)
	14M7298	FLANGE NUT	2	X		M8
7	T78313	O-RING	6	X		32.918 X 3.531 MM (1.296" X 0.139")
8	H122182	EXTERNAL HALF COUPLER	8	X		
9	19H3465	CAP SCREW	8	X		7/16" X 3", (SUB FOR 19M7809)
	T105740	WASHER	16	X		11.400 X 25.400 X 2.286 MM, (SUB FOR 24M7296 AND 24M7028)
	14H1047	NUT	8	X		7/16", (SUB FOR 14M7296) WASHER MUST BE UNDER NUT FLANGE
10	H126582	ISOLATOR	6	X		(RUBBER) - NOT REQ WITH H140180
11	H131154	CLAMP	12	X		(SUB H140180)
	H140180	CLAMP	12	X		H126582 NOT REQ. WITH THIS CLAMP
12	19M8039	SCREW	12	X		M8 X 80
	14M7396	LOCK NUT	12	X		M8
13	H114876	CLAMP	2	X		
14	H131155	BRACKET	1	X		
15	03M7216	BOLT	2	X		M8 X 50 (RD. HEAD)
	14M7298	FLANGE NUT	2	X		M8
16	AH135029	HYDRAULIC LINE	1	X		(CASE DRAIN)
17	03M7184	BOLT	8	X		M8 X 20 (RD. HEAD)
	14M7396	LOCK NUT	8	X		M8
18	H131115	BRACKET	1	X		
19	19H1740	CAP SCREW	8	X		7/16" X 1-3/4"
	12H293	LOCK WASHER	8	X		7/16"
20	H114897	CLAMP	2	X		
21	H112567	PLATE	1	X		
22	19M7913	SCREW	1	X		M8 X 90
	14M7298	FLANGE NUT	1	X		M8

4F8

HYDROSTATIC DRIVE OIL LINES AND HOSES, LOWER (FOUR WHEEL DRIVE)

(655201-)
HP6246 -UN-04JAN96



4F9

HYDROSTATIC DRIVE OIL LINES AND HOSES, LOWER - CONTINUED
(FOUR WHEEL DRIVE)
(655201-)

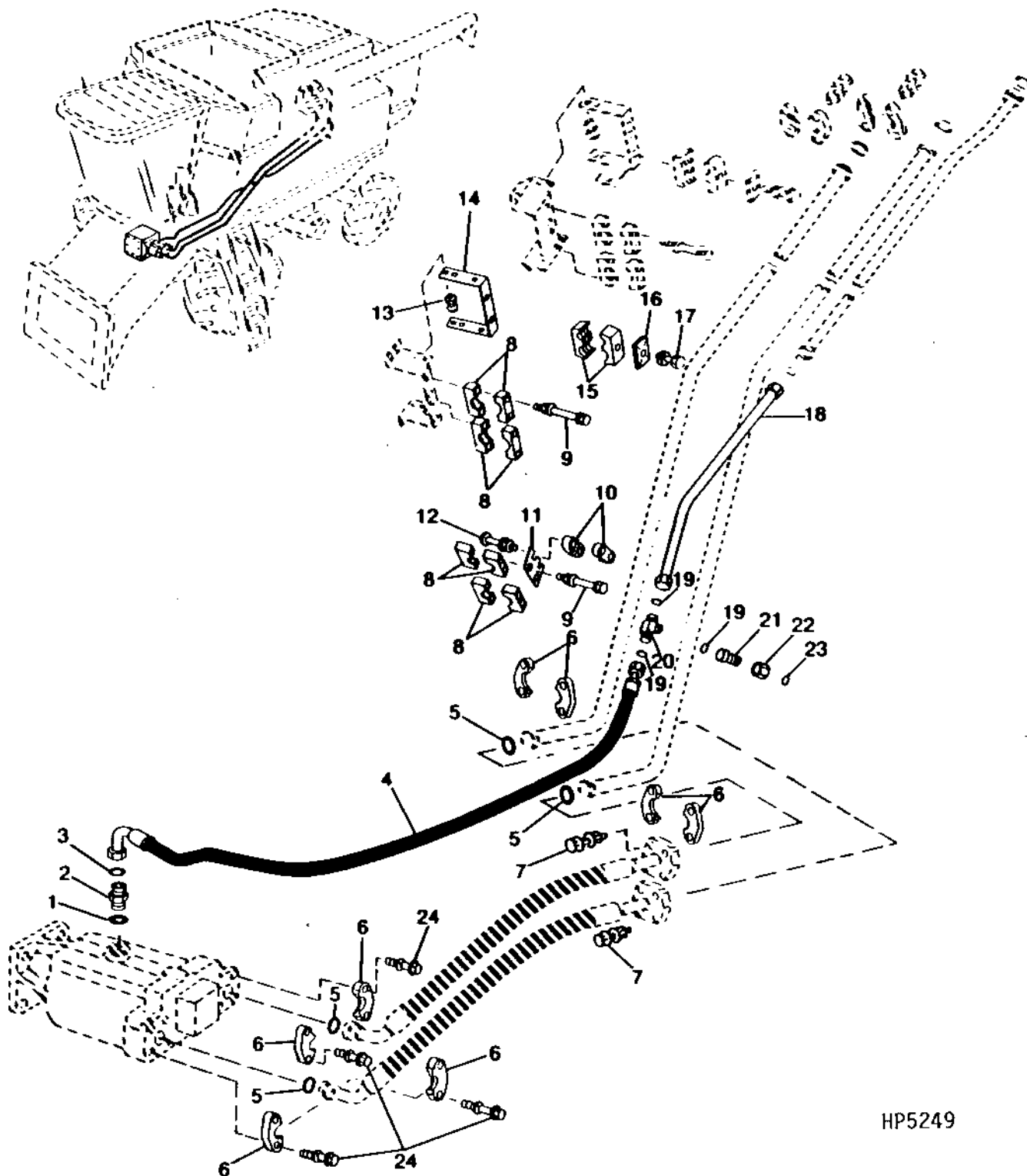
KEY	PART NO.	PART NAME	QTY	SERIAL NO.	S H 9 5 0 0 0 0	REMARKS
1	U12547	O-RING	1	X		23.470 X 2.946 MM (0.924" X 0.116")
2	38H1163	ADAPTER	1	X		
3	T77858	O-RING	4	X		18.771 X 1.778 MM (0.739" X 0.070")
4	AH142611	HYDRAULIC HOSE	1	X		1-3/16" X 1 924 MM (75-3/4") X 1-3/16" (CASE DRAIN)
5	14M7298	FLANGE NUT	3	X		M8
6	T78313	O-RING	2	X		32.918 X 3.531 MM (1.296" X 0.139")
7	H122182	EXTERNAL HALF COUPLER	8	X		
8	19M7970	SCREW	3	X		M8 X 100
9	H114901	PLATE	6	X		
10	H150223	HOSE CLAMP	8	X		
11	19M8039	SCREW	13	X		M8 X 80
	14M7396	LOCK NUT	13	X		M8
12	T72393	CLAMP	3	X		
13	H150222	HOSE CLAMP	6	X		
14	03M7184	BOLT	8	X		M8 X 20
	14M7396	LOCK NUT	8	X		M8
15	H131115	BRACKET	1	X		
16	19H1740	CAP SCREW	8	X		7/16" X 1-3/4"
	12H293	LOCK WASHER	8	X		7/16"

4F10

POWER TRAIN

HYDROSTATIC DRIVE OIL LINES AND HOSES, LOWER
(SIDEHILL TWO WHEEL DRIVE)

(-655200)
HP5249 -UN-01JAN94



HP5249

4F11

POWER TRAIN

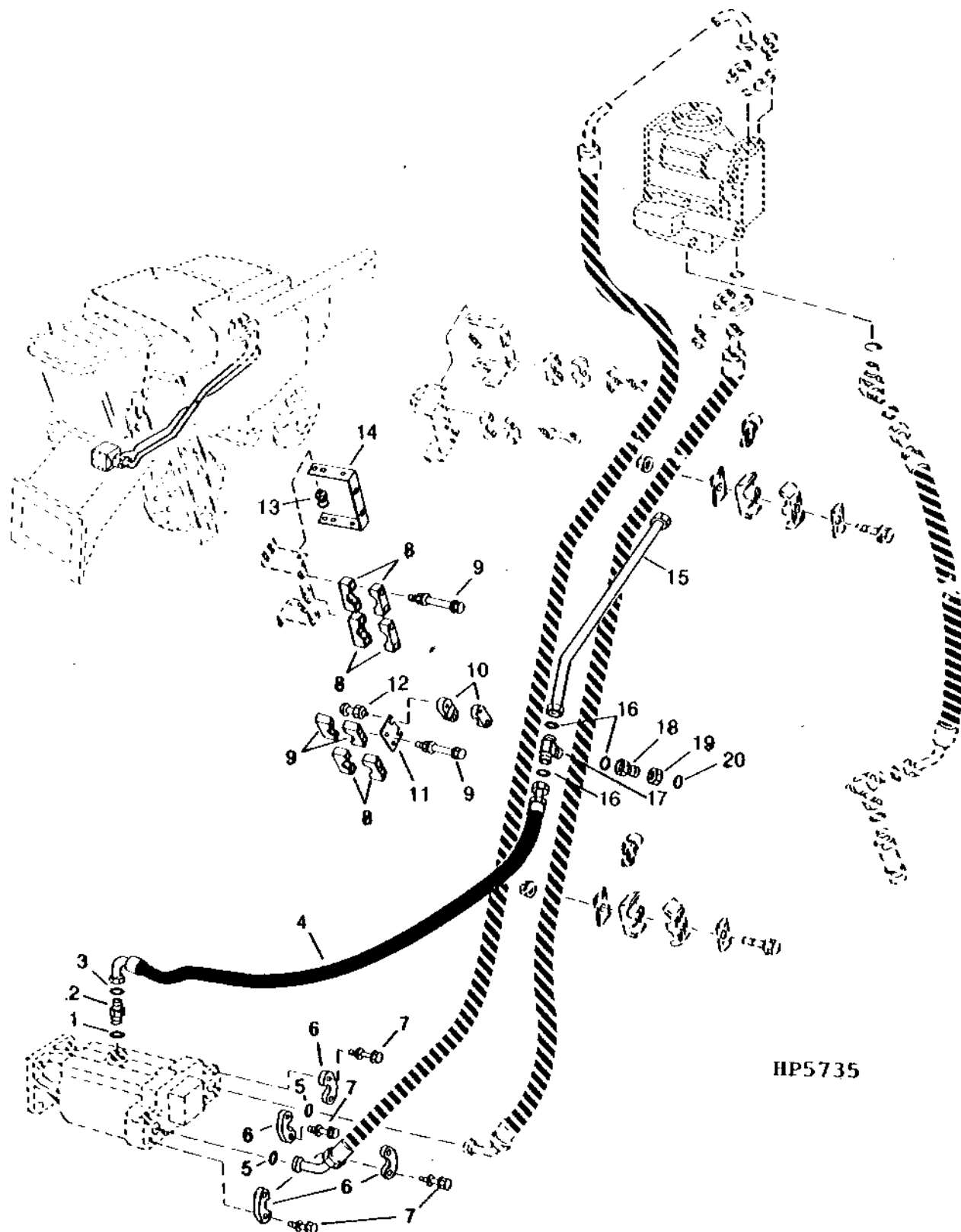
HYDROSTATIC DRIVE OIL LINES AND HOSES, LOWER - CONTINUED
(SIDEHILL TWO WHEEL DRIVE)
(-655200)

KEY	PART NO.	PART NAME	QTY	SERIAL NO.	S H 9 5 0 0 0 0	REMARKS
1	U12547	O-RING	1		X	23.470 X 2.946 MM (0.924" X 0.116")
2	38H1163	ADAPTER	1		X	
3	T77858	O-RING	4		X	18.771 X 1.778 MM (0.739" X 0.070")
4	AH145689	HYDRAULIC HOSE	1		X	1-3/16" X 1 180 MM (46-1/2") X 1-3/16" (CASE DRAIN)
5	T78313	O-RING	6		X	32.918 X 3.531 MM (1.296" X 0.139")
6	H122182	EXTERNAL HALF COUPLER	8		X	(RD. HEAD)
7	19H3465	CAP SCREW	8		X	7/16" X 3"
	T105740	WASHER	16		X	11.400 X 25.400 X 2.286 MM (0.449" X 1" X 0.090") WASHER MUST BE UNDER FLANGE NUT
	14H1047	NUT	8		X	7/16"
8	H140180	CLAMP	12		X	
9	19M8039	SCREW	12		X	M8 X 80
	14M7396	LOCK NUT	12		X	M8
10	H114876	CLAMP	2		X	
11	H131155	BRACKET	1		X	
12	03M7216	BOLT	2		X	M8 X 50
	14M7298	FLANGE NUT	2		X	M8
13	03M7184	BOLT	8		X	M8 X 20
	14M7396	LOCK NUT	8		X	M8
14	H131115	BRACKET	1		X	
15	H114897	CLAMP	2		X	(CASE DRAIN)
16	H112567	PLATE	1		X	
17	19M7913	SCREW	1		X	M8 X 90
	14M7298	FLANGE NUT	1		X	M8
18	AH137622	OIL LINE	1		X	
19	T77858	O-RING	3		X	18.771 X 1.778 MM (0.739" X 0.070")
20	38H1208	TEE FITTING	1		X	
21	38H1473	REDUCER	1		X	
22	38H1356	TUBE NUT	1		X	
23	T77613	O-RING	1		X	9.246 X 1.778 MM (0.364" X 0.070")
24	19H1740	CAP SCREW	8		X	7/16" X 1-3/4"
	12H293	LOCK WASHER	8		X	7/16"

4F12

HYDROSTATIC DRIVE OIL LINES AND HOSES, LOWER (SIDEHILL TWO WHEEL DRIVE)

(655201-)
HP5735 -UN-01JAN94



HP5735

4F13

POWER TRAIN

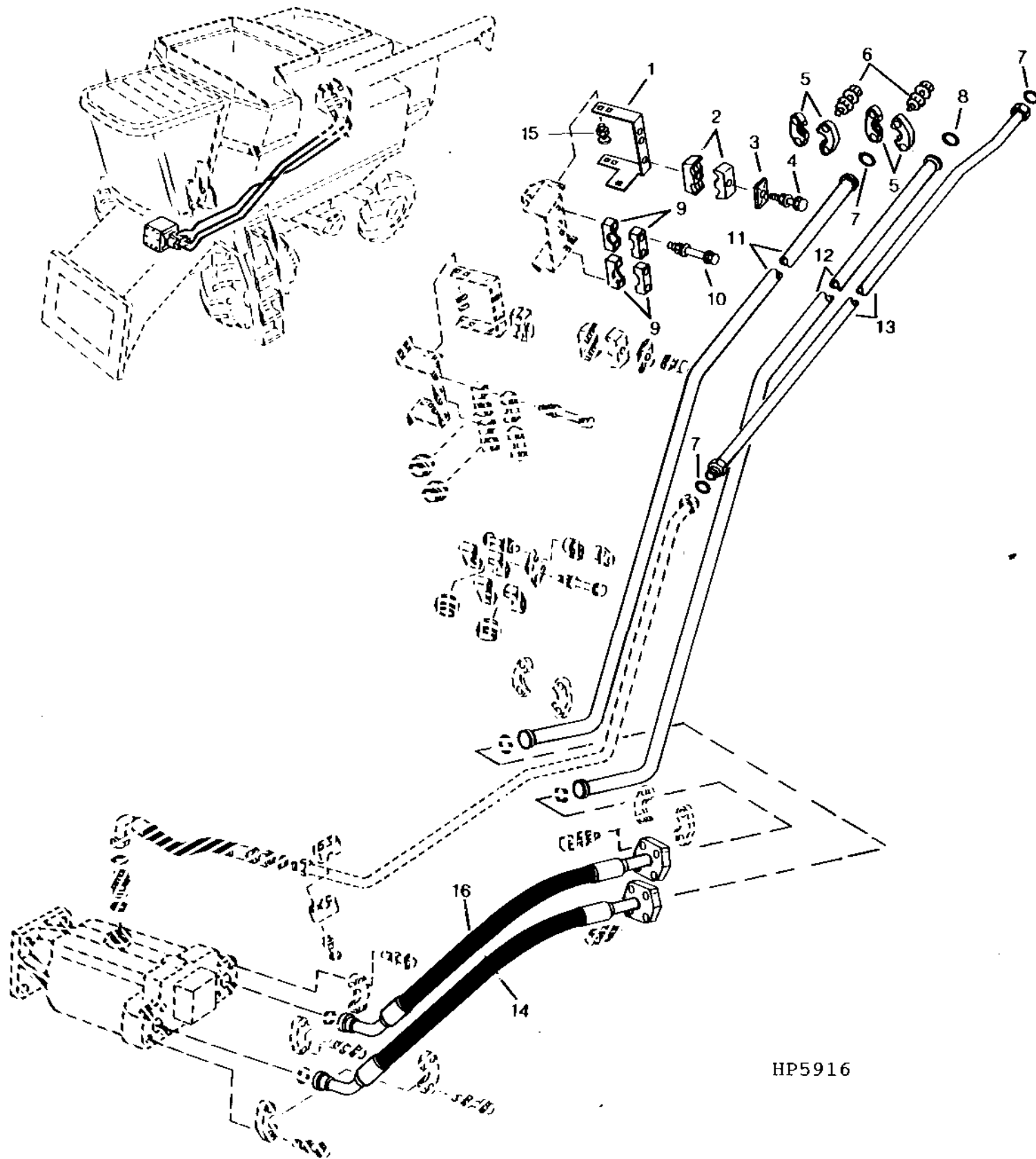
HYDROSTATIC DRIVE OIL LINES AND HOSES, LOWER - CONTINUED
(SIDEHILL - TWO WHEEL DRIVE)
(655201-)

KEY	PART NO.	PART NAME	QTY	SERIAL NO.	S H 9 5 0 0 0	REMARKS
1	U12547	O-RING	1		X	23.470 X 2.946 MM (0.924" X 0.116")
2	38H1163	ADAPTER	1		X	
3	T77858	O-RING	4		X	18.771 X 1.778 MM (0.739" X 0.070")
4	AH145689	HYDRAULIC HOSE	1		X	1-3/16" X 1 180 MM (46-1/2") X 1-3/16" (CASE DRAIN)
5	T78313	O-RING	2		X	32.918 X 3.531 MM (1.296" X 0.139")
6	H122182	EXTERNAL HALF COUPLER	4		X	
7	19H1740	CAP SCREW	8		X	7/16" X 1-3/4"
	12H293	LOCK WASHER	8		X	7/16"
8	H150223	HOSE CLAMP	12		X	
9	19M8039	SCREW	12		X	M8 X 80
	14M7396	LOCK NUT	12		X	M8
10	H114876	CLAMP	2		X	
11	H131155	BRACKET	1		X	
12	03M7216	BOLT	2		X	M8 X 50
	14M7298	FLANGE NUT	2		X	M8
13	03M7184	BOLT	8		X	M8 X 20
	14M7396	LOCK NUT	8		X	M8
14	H131115	BRACKET	1		X	
15	AH137622	OIL LINE	1		X	
16	T77858	O-RING	3		X	18.771 X 1.778 MM (0.739" X 0.070")
17	38H1208	TEE FITTING	1		X	
18	38H1473	REDUCER	1		X	
19	38H1356	TUBE NUT	1		X	
20	T77613	O-RING	1		X	9.246 X 1.778 MM (0.364" X 0.070")

4F14

HYDROSTATIC DRIVE OIL LINES AND HOSES, LOWER (TWO AND FOUR WHEEL DRIVE)

(-655200)
HP5916 -UN-14FEB95



HP5916

4F15

POWER TRAIN

HYDROSTATIC DRIVE OIL LINES AND HOSES, LOWER - CONTINUED
(TWO AND FOUR WHEEL DRIVE)
(-655200)

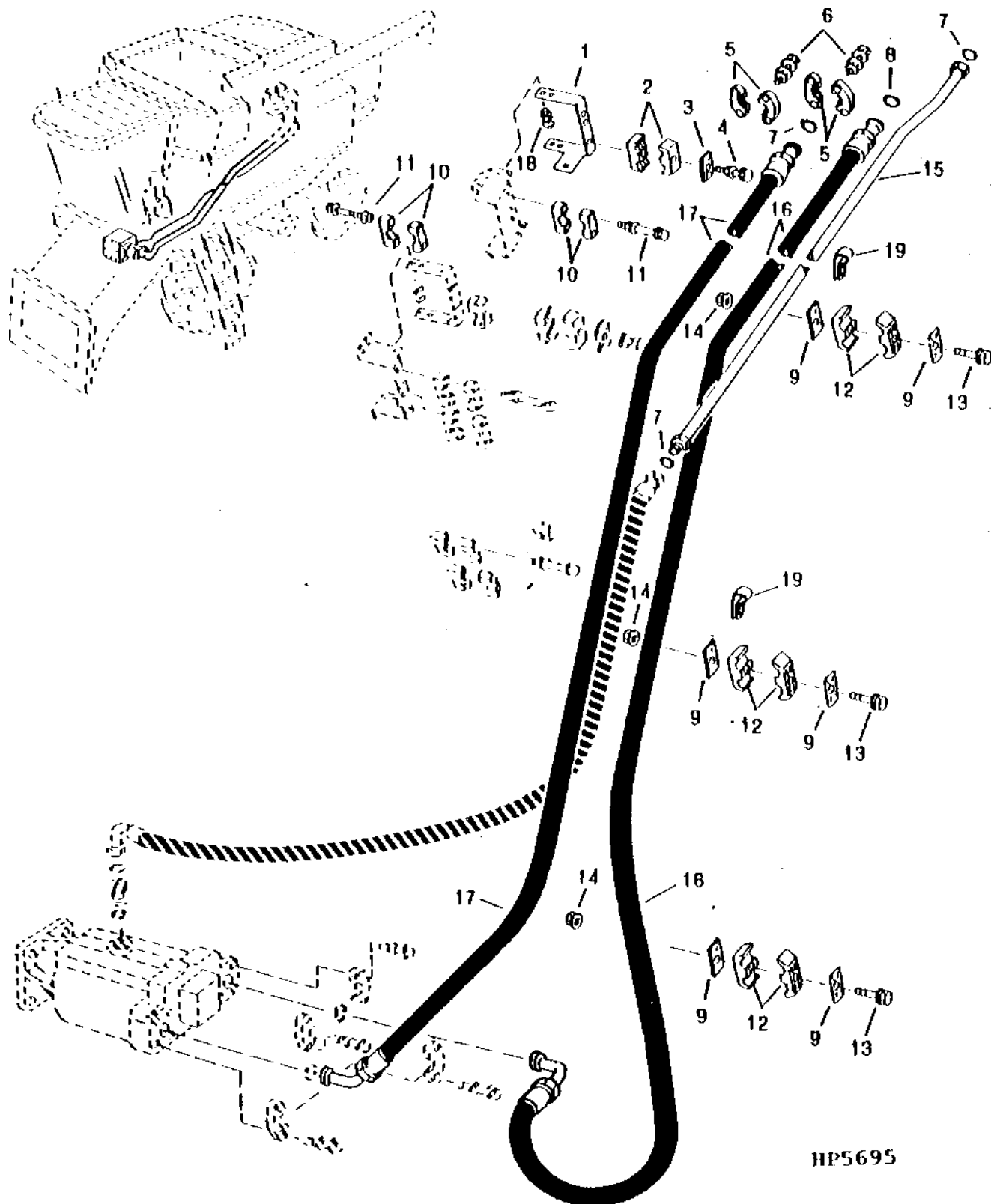
KEY	PART NO.	PART NAME	QTY	SERIAL NO.	S H 9 5 0 0 0 0	REMARKS
1	H133659	BRACKET	1		X	
2	H111730	CLAMP	2		X	
3	H112567	PLATE	1		X	
4	19M7979	SCREW	1		X	M8 X 55
	14M7298	FLANGE NUT	1		X	M8
5	H122182	EXTERNAL HALF COUPLER	4		X	
6	19H3465	CAP SCREW	8		X	7/16" X 3", (SUB FOR 19M7809)
	T105740	WASHER	16		X	(SUB FOR 24M7296 AND 24M7028)
	14H1047	NUT	8		X	7/16", (SUB FOR 14M7296)
7	T77858	O-RING	2		X	18.771 X 1.778 MM (0.739" X 0.070")
8	T78313	O-RING	2		X	32.918 X 3.531 MM (1.296" X 0.139")
9	H131154	CLAMP	4	-632131	X	(SUB H140180)
	H140180	CLAMP	4		X	
10	19M8039	SCREW	4		X	M8 X 80
	14M7298	FLANGE NUT	4		X	M8
11	AH126195	HYDRAULIC LINE	1	-631764	X	(SUB AH134972, AH134949 AND AH141545) REVERSE PRESSURE - TOP LINE
	AH134972	OIL LINE	1		X	REVERSE PRESSURE - TOP LINE
	AH134949	HYDRAULIC HOSE	1	-638045	X	1" X 930 MM (36-1/2") X 1", (SUB AH138171 FOR THE FRONT PORT); (SUB AH138172 FOR THE REAR PORT)
	AH141545	HOSE	1		X	
12	AH126194	HYDRAULIC LINE	1	-631764	X	FORWARD PRESSURE - BOTTOM LINE (FOR POWER REAR WHEEL ASSIST DRIVE SUB: (1) AH134971, (1) AH134949 AND (1) AH135039) FOR NON POWER REAR WHEEL ASSIST DRIVE SUB: (1) AH134971, (1) AH134949 AND (1) AH134950)
	AH134971	OIL LINE	1		X	FORWARD PRESSURE - BOTTOM LINE
	AH134949	HYDRAULIC HOSE	1		X	1" X 930 MM (36-1/2") X 1", (SUB AH138171 FOR THE FRONT PORT); (SUB AH138172 FOR THE REAR PORT)
	AH135039	HYDRAULIC HOSE	1	-642501	X	1" X 700 MM (27-1/2") X 1", (SUB AH140852)
	AH134950	HOSE	1	-642575	X	1" X 815 MM (32") X 1", (SUB AH140851)
13	AH127881	OIL LINE	1		X	CASE DRAIN
14	AH126192	HYDRAULIC HOSE	1	-631764	X	1" X 930 MM (36-1/2") X 1", (SUB AH134949)
	AH134949	HYDRAULIC HOSE	2	631765-638045	X	1" X 930 MM (36-1/2") X 1", (SUB AH138171 FOR THE FRONT PORT); (SUB AH138172 FOR THE REAR PORT)
	AH138171	HOSE	1	638046-646476	X	1-7/16" X 960 MM (37-3/4") X 1-7/16", (SUB AH141546) TO FRONT PORT ON MOTOR
	AH141546	HOSE	1	646477-	X	1" X 960 MM (37-3/4") X 1", (REVERSE PRESSURE) TO FRONT PORT ON MOTOR
15	03M7184	BOLT	4		X	M8 X 20
	14M7396	LOCK NUT	4		X	M8
16	AH126192	HYDRAULIC HOSE	1	-631764	X	1" X 930 MM (36-1/2") X 1"
	AH134949	HYDRAULIC HOSE	2	631765-638045	X	1" X 930 MM (36-1/2") X 1", (SUB AH138171 OR AH138172)
	AH138172	HOSE	1	638046-646476	X	1-7/16" X 865 MM (34") X 1-7/16", (SUB AH141547) TO REAR PORT ON MOTOR
	AH141547	HYDRAULIC HOSE	1		X	1-7/16" X 865 MM (34") X 1-7/16", (FORWARD PRESSURE) TO REAR PORT ON MOTOR

4F16

POWER TRAIN

HYDROSTATIC DRIVE OIL LINES AND HOSES, LOWER (FOUR WHEEL DRIVE)

(655201-)
HP5695 -UN-01JAN94



HP5695

4F17

POWER TRAIN

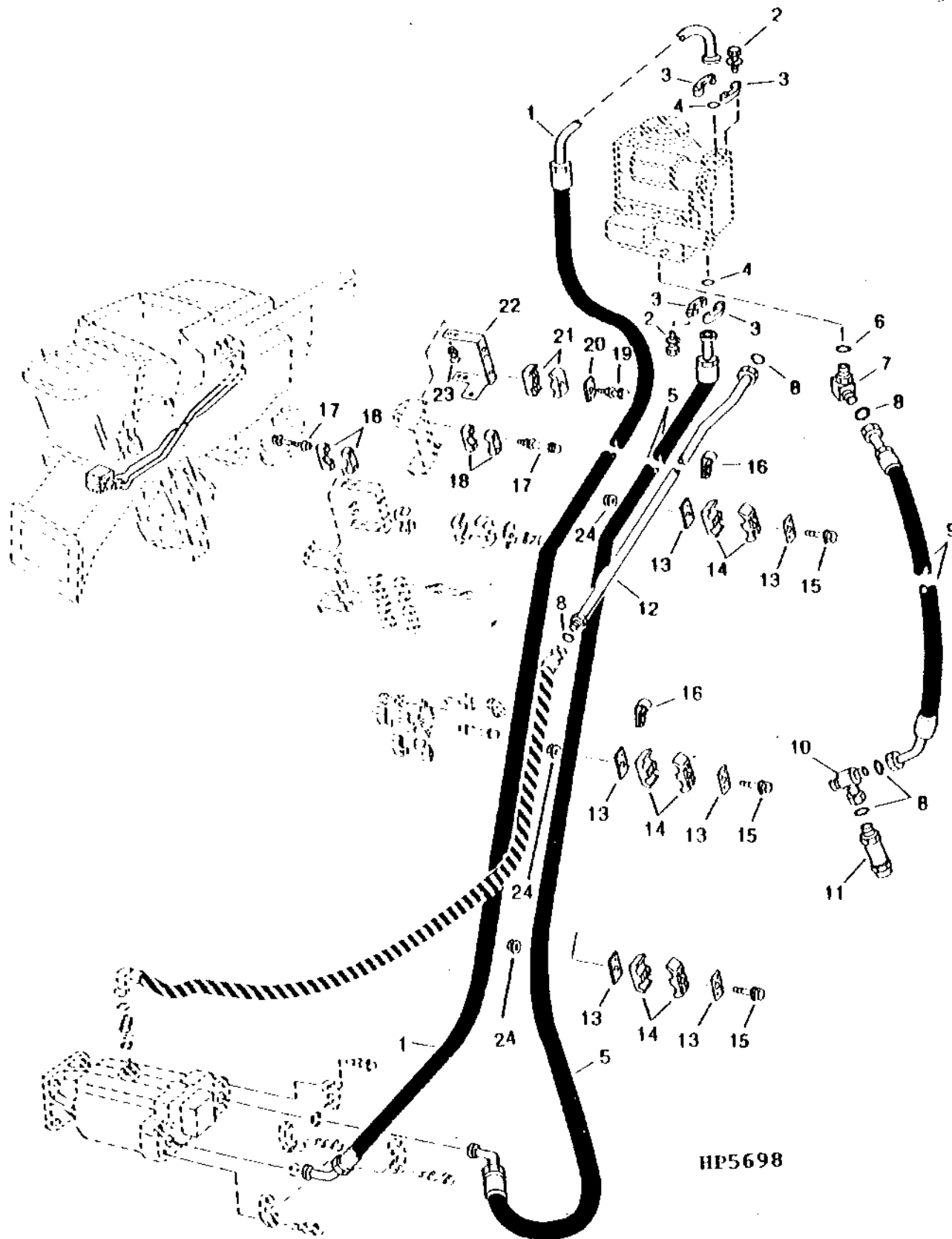
**HYDROSTATIC DRIVE OIL LINES AND HOSES, LOWER - CONTINUED
(FOUR WHEEL DRIVE)
(655201-)**

KEY	PART NO.	PART NAME	QTY	SERIAL NO.	REMARKS
					S H 9 9 5 5 0 0 0 0
1	H133659	BRACKET	1	X	
2	H111730	CLAMP	2	X	
3	H112567	PLATE	1	X	
4	19M7979	SCREW	1	X	M8 X 55
	14M7298	FLANGE NUT	1	X	M8
5	H122182	EXTERNAL HALF COUPLER	4	X	
6	19H3465	CAP SCREW	8	X	7/16" X 3"
	T105740	WASHER	16	X	
	14H1047	NUT	8	X	7/16"
7	T77858	O-RING	2	X	18.771 X 1.778 MM (0.739" X 0.070")
8	T78313	O-RING	2	X	32.918 X 3.531 MM (1.296" X 0.139")
9	H114901	PLATE	6	X	
10	H150223	HOSE CLAMP	4	X	
11	19M8039	SCREW	5	X	M8 X 80
	14M7298	FLANGE NUT	5	X	M8
12	H150222	HOSE CLAMP	6	X	
13	19M7970	SCREW	3	X	M8 X 100
14	14M7298	FLANGE NUT	3	X	M8
15	AH127881	OIL LINE	1	X	
16	AH143353	HYDRAULIC HOSE	1	X	1" X 4 375 MM (172-1/4") X 1", FORWARD PRESSURE
17	AH142758	HYDRAULIC HOSE	1	X	1" X 3 875 MM (152-1/2") X 1", REVERSE PRESSURE
18	03M7184	BOLT	4	X	M8 X 20
	14M7396	LOCK NUT	4	X	M8
19	T72393	CLAMP	1	X	
..	BH79964	COMPLETE GOODS/SHIP. BUNDLE	1	X	4-WHEEL DRIVE CONVERSION

4F18

HYDROSTATIC DRIVE OIL LINES AND HOSES, LOWER (TWO WHEEL DRIVE)

(655201-)
HP5698 -UN-01JAN94



HP5698

4F19

POWER TRAIN

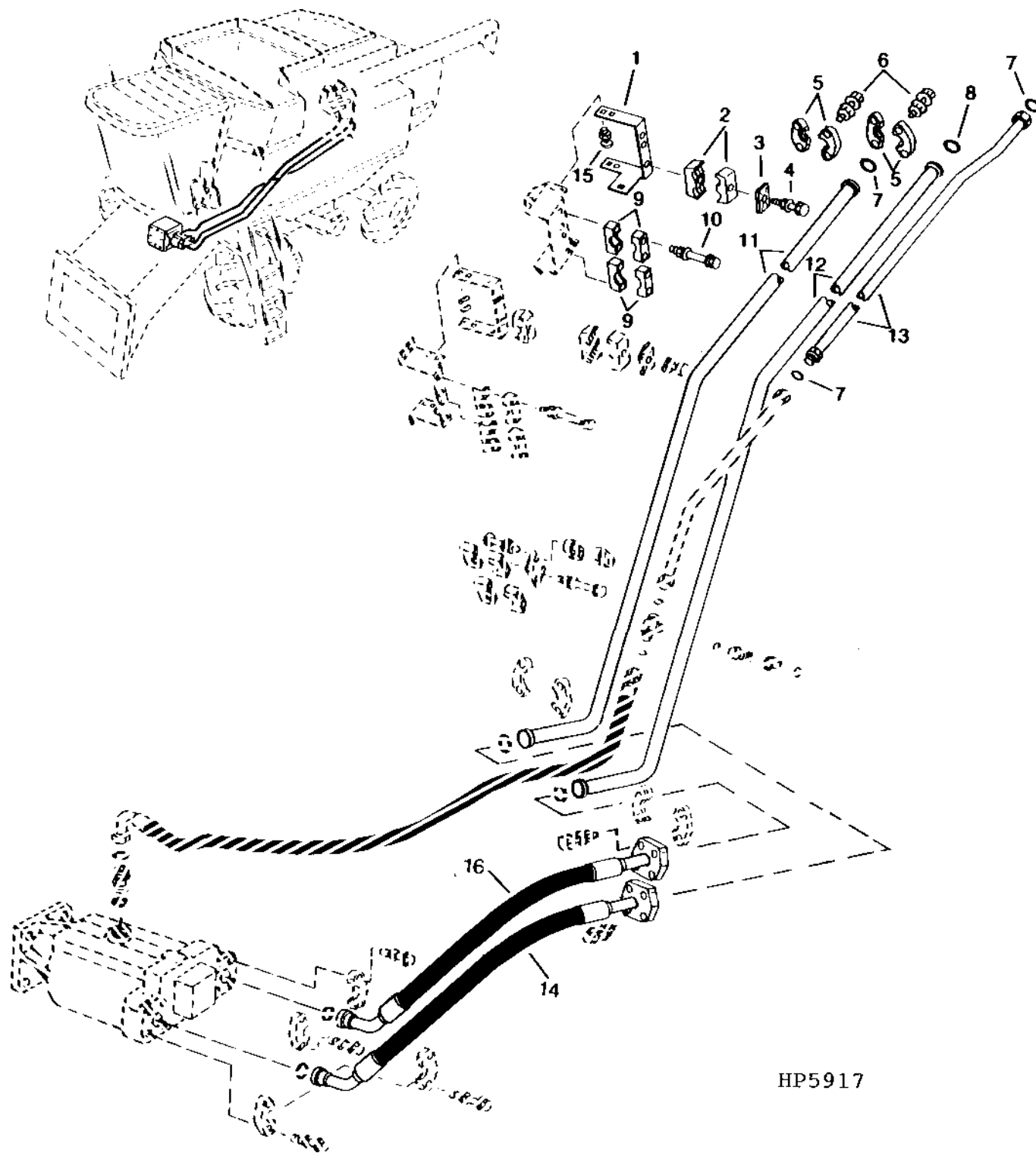
HYDROSTATIC DRIVE OIL LINES AND HOSES, LOWER - CONTINUED
(TWO WHEEL DRIVE)
(655201-)

KEY	PART NO.	PART NAME	QTY	SERIAL NO.	REMARKS
					S H 9 9 5 5 0 0 0 0
1	AH143035	HYDRAULIC HOSE	1	X	1" X 5 000 MM (196-3/4") X 1", (REVERSE PRESSURE)
2	19H1740	CAP SCREW	8	X	7/16" X 1-3/4"
	12H293	LOCK WASHER	8	X	7/16"
3	H122182	EXTERNAL HALF COUPLER	4	X	
4	T78313	O-RING	2	X	32.918 X 3.531 MM
5	AH143352	HYDRAULIC HOSE	1	X	1" X 5 175 MM (203-3/4") X 1", (FORWARD PRESSURE)
6	U12547	O-RING	1	X	0.924" X 0.116"
7	38H1007	ELBOW FITTING	1	X	
8	T77858	O-RING	3	X	18.771 X 1.778 MM (0.739" X 0.070")
9	AH124008	HYDRAULIC HOSE	1	X	1-3/16" X 725 MM (28-1/2") X 1-3/16", (UPPER DRAIN HOSE)
10	38H1041	TEE FITTING	1	X	
11	AH118337	CHECK VALVE	1	X	
12	AH127881	OIL LINE	1	X	
13	H114901	PLATE	6	X	
14	H150222	HOSE CLAMP	6	X	
15	19M7970	SCREW	3	X	M8 X 100
16	T72393	CLAMP	2	X	
17	19M8039	SCREW	5	X	M8 X 80
	14M7298	FLANGE NUT	5	X	M8
18	H150223	HOSE CLAMP	4	X	
19	19M7979	SCREW	1	X	M8 X 55
	14M7298	FLANGE NUT	2	X	M8
20	H112567	PLATE	1	X	
21	H111730	CLAMP	2	X	
22	H133659	BRACKET	1	X	
23	03M7184	BOLT	4	X	M8 X 20
	14M7396	LOCK NUT	4	X	M8
24	14M7298	FLANGE NUT	3	X	M8

4F20

HYDROSTATIC DRIVE OIL LINES AND HOSES, LOWER (SIDEHILL)

(-655200)
HP5917 -UN-14FEB95



HP5917

4F21

POWER TRAIN

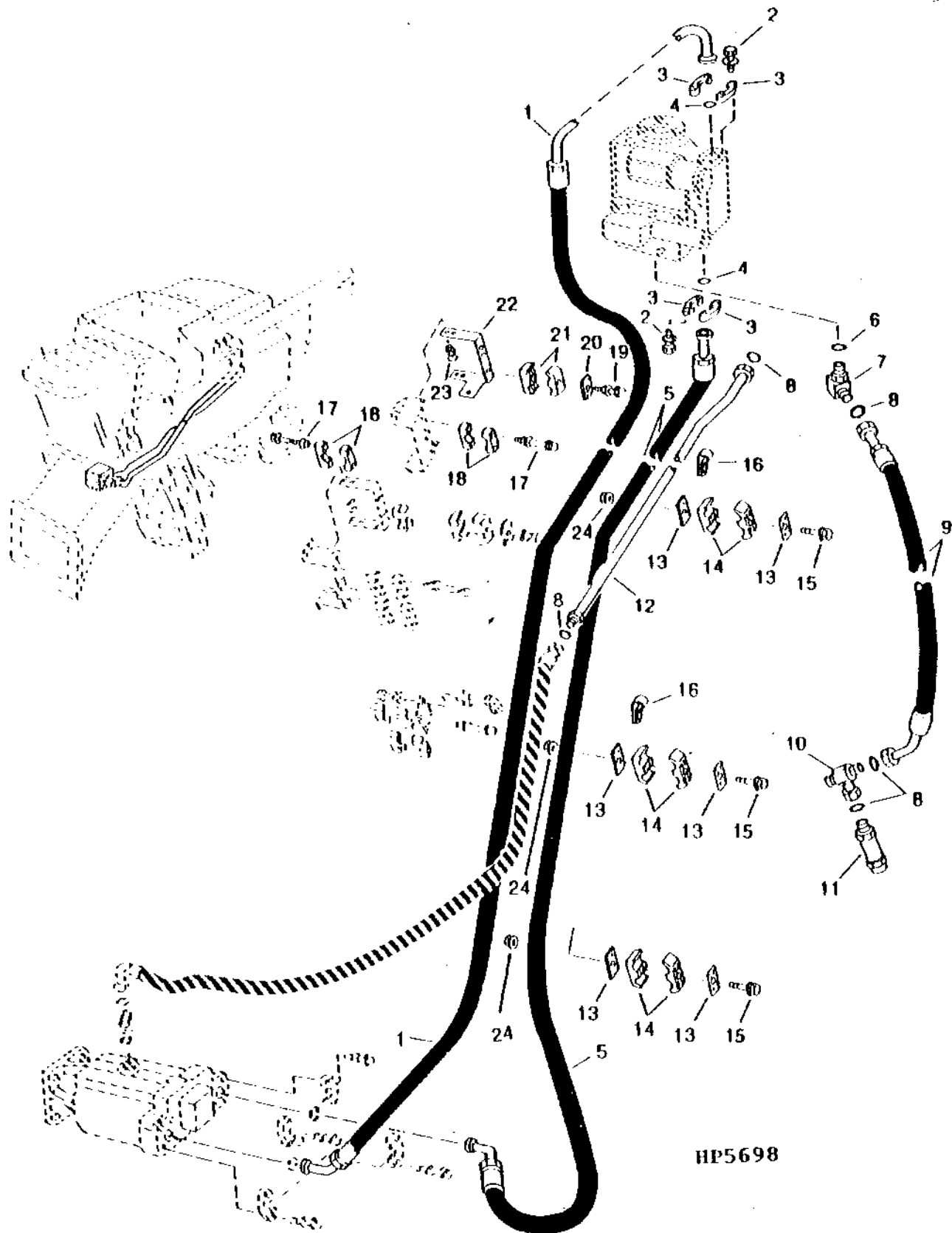
HYDROSTATIC DRIVE OIL LINES AND HOSES, LOWER - CONTINUED
(SIDEHILL)
(-655200)

KEY	PART NO.	PART NAME	QTY	SERIAL NO.	S H 9 5 0 0 0 0	REMARKS
1	H133659	BRACKET	1		X	
2	H111730	CLAMP	2		X	
3	H112567	PLATE	1		X	
4	19M7979	SCREW	1		X	M8 X 55
	14M7298	FLANGE NUT	1		X	M8
5	H122182	EXTERNAL HALF COUPLER	4		X	
6	19H3465	CAP SCREW	8		X	7/16" X 3"
	T105740	WASHER	16		X	11.400 X 25.400 X 2.286 MM (0.449" X 1" X 0.090")
	14H1047	NUT	8		X	7/16"
7	T77858	O-RING	2		X	18.771 X 1.778 MM (0.739" X 0.070")
8	T78313	O-RING	2		X	32.918 X 3.531 MM (1.296" X 0.139")
9	H140180	CLAMP	4		X	
10	19M8039	SCREW	4		X	M8 X 80
	14M7298	FLANGE NUT	4		X	M8
11	AH134972	OIL LINE	1		X	REVERSE PRESSURE
12	AH134971	OIL LINE	1		X	FORWARD PRESSURE
13	AH127881	OIL LINE	1		X	CASE DRAIN
14	AH141546	HOSE	1		X	1" X 960 MM (37-3/4") X 1", REVERSE PRESSURE TO FRONT PORT ON MOTOR
15	03M7184	BOLT	4		X	M8 X 20
	14M7396	LOCK NUT	4		X	M8
16	AH141810	HYDRAULIC HOSE	1		X	1" X 1 030 MM (40-1/2") X 1", FORWARD PRESSURE TO REAR PORT ON MOTOR

4F22

HYDROSTATIC DRIVE OIL LINES AND HOSES, LOWER (SIDEHILL TWO WHEEL DRIVE)

(655201-)
HP5698 -UN-01JAN94



HP5698

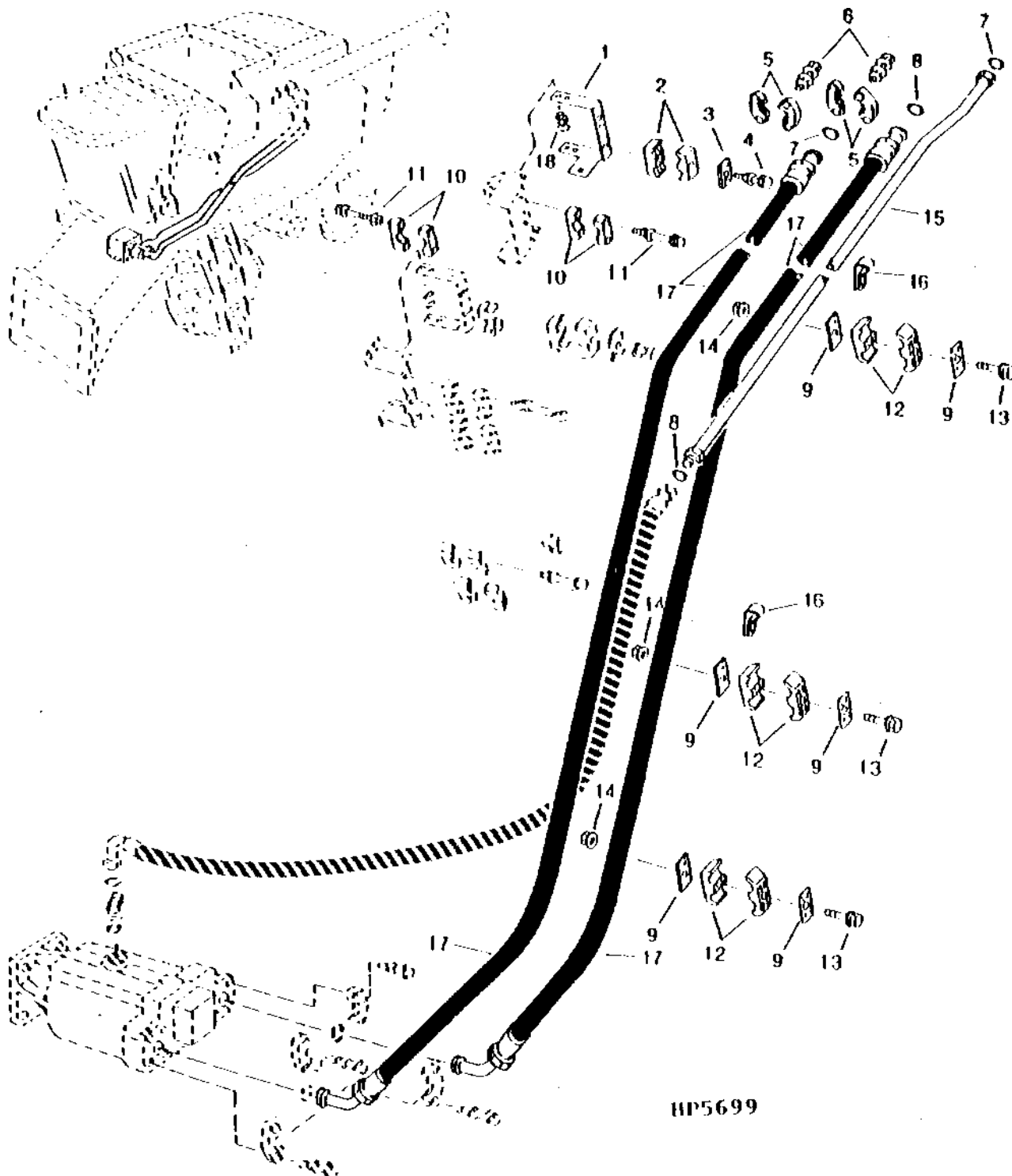
HYDROSTATIC DRIVE OIL LINES AND HOSES, LOWER - CONTINUED
 (SIDEHILL TWO WHEEL DRIVE)
 (655201-)

KEY	PART NO.	PART NAME	QTY	SERIAL NO.	S H 9 5 0 0 0 0	REMARKS
1	AH143035	HYDRAULIC HOSE	1		X	1" X 5 000 MM (196-3/4") X 1", REVERSE PRESSURE
2	19H1740	CAP SCREW	8		X	7/16" X 1-3/4"
	12H293	LOCK WASHER	8		X	7/16"
3	H122182	EXTERNAL HALF COUPLER	4		X	
4	T78313	O-RING	2		X	32.918 X 3.531 MM
5	AH145691	HOSE	1	-656522	X	1" X 4 700 MM (185") X 1", (SUB AH145880) FORWARD PRESSURE
	AH145880	HOSE	1	-661617	X	1" X 4 600 MM (181") X 1", (SUB AH143352)
	AH143352	HYDRAULIC HOSE	1	661618-	X	1" X 5 175 MM (203-3/4") X 1", FORWARD PRESSURE
6	U12547	O-RING	1		X	0.924" X 0.116"
7	38H1007	ELBOW FITTING	1		X	
8	T77858	O-RING	4		X	18.771 X 1.778 MM (0.739" X 0.070")
9	AH124008	HYDRAULIC HOSE	1		X	1-3/16" X 725 MM (28-1/2") X 1-3/16", (UPPER CASE DRAIN)
10	38H1041	TEE FITTING	1		X	
11	AH118337	CHECK VALVE	1		X	
12	AH127881	OIL LINE	1		X	
13	H114901	PLATE	6		X	
14	H148646	CLAMP	6	-655218	X	(SUB H150222)
	H150222	HOSE CLAMP	6		X	
15	19M7970	SCREW	3		X	M8 X 100
16	T72393	CLAMP	2		X	
17	19M8039	SCREW	4		X	M8 X 80
	14M7298	FLANGE NUT	4		X	M8
18	H148650	CLAMP	4		X	
19	19M7979	SCREW	1		X	M8 X 55
	14M7298	FLANGE NUT	1		X	M8
20	H112567	PLATE	1		X	
21	H111730	CLAMP	2		X	
22	H133659	BRACKET	1		X	
23	03M7184	BOLT	4		X	M8 X 20
	14M7396	LOCK NUT	4		X	M8
24	14M7298	FLANGE NUT	3		X	M8

4F24

HYDROSTATIC DRIVE OIL LINES AND HOSES, LOWER (SIDEHILL FOUR WHEEL DRIVE)

(655201-)
HP5699 -UN-01JAN94



HP5699

4F25

POWER TRAIN

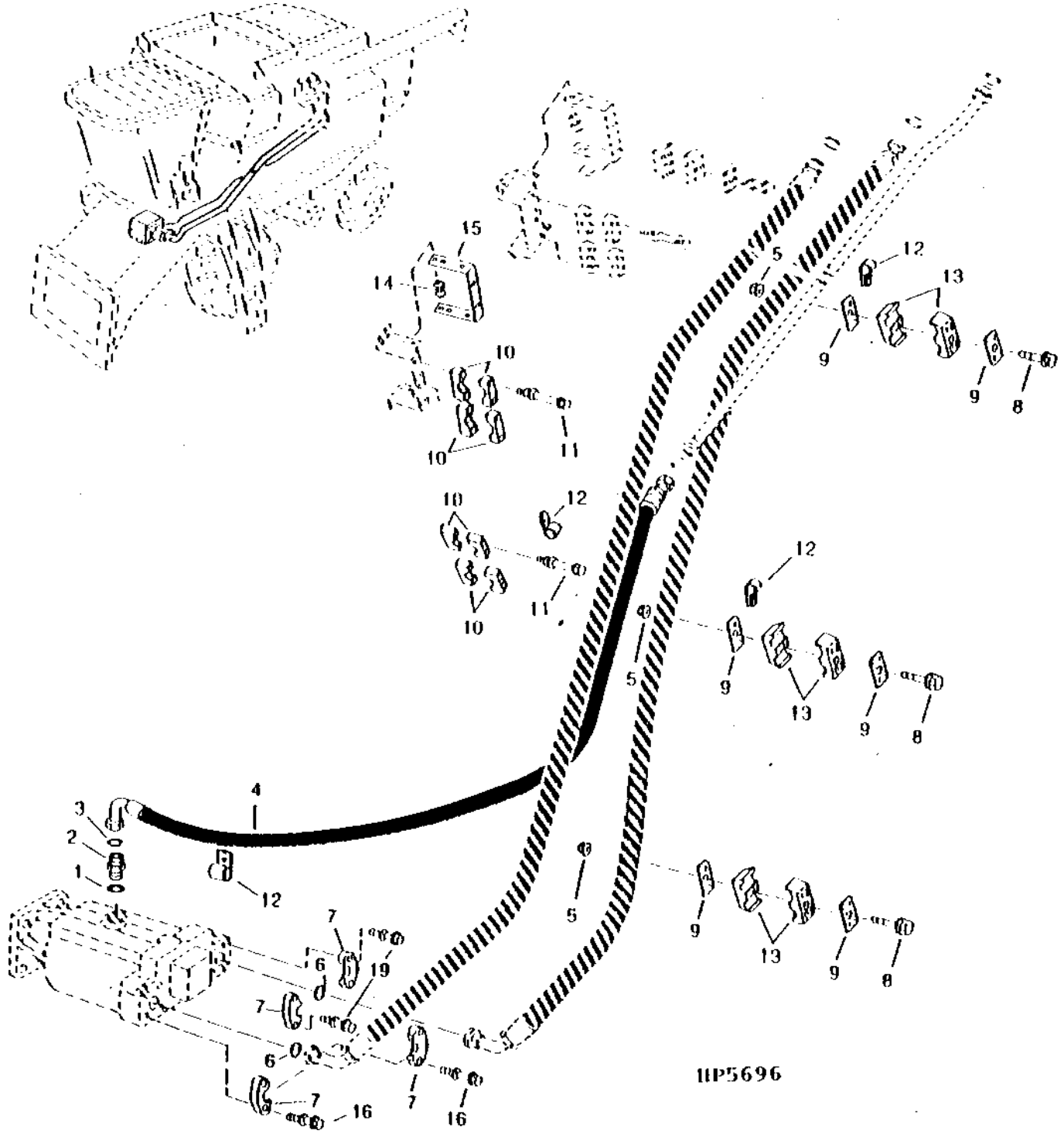
HYDROSTATIC DRIVE OIL LINES AND HOSES, LOWER - CONTINUED
(SIDEHILL FOUR WHEEL DRIVE)
(655201-)

KEY	PART NO.	PART NAME	QTY	SERIAL NO.	S H 9 5 0 0 0 0	REMARKS
1	H133659	BRACKET	1		X	
2	H111730	CLAMP	2		X	
3	H112567	PLATE	1		X	
4	19M7979	SCREW	1		X	M8 X 55
	14M7298	FLANGE NUT	1		X	M8
5	H122182	EXTERNAL HALF COUPLER	4		X	
6	19H3465	CAP SCREW	8		X	7/16" X 3"
	T105740	WASHER	16		X	11.400 X 25.400 X 2.286 MM (0.449" X 1" X 0.090")
	14H1047	NUT	8		X	7/16"
7	T77858	O-RING	2		X	18.771 X 1.778 MM (0.739" X 0.070")
8	T78313	O-RING	2		X	32.918 X 3.531 MM (1.296" X 0.139")
9	H114901	PLATE	6		X	
10	H150223	HOSE CLAMP	4		X	
11	19M8039	SCREW	5	-655200	X	M8 X 80, (SUB AH134972)
	14M7298	FLANGE NUT	5	655201-	X	M8
12	H150222	HOSE CLAMP	6	655201-	X	
13	19M7970	SCREW	3		X	M8 X 100
14	14M7298	FLANGE NUT	3		X	M8
15	AH127881	OIL LINE	4		X	
16	T72393	CLAMP	1		X	
17	AH145690	HOSE	2	-656532	X	1" X 3 925 MM (154-1/2") X 1", (SUB AH142758 AND AH143353)
	AH142758	HYDRAULIC HOSE	1		X	1" X 3 875 MM (152-1/2") X 1"
	AH143353	HYDRAULIC HOSE	1		X	1" X 4 375 MM (172-1/4") X 1"
18	03M7184	BOLT	4		X	M8 X 20
	14M7396	LOCK NUT	4		X	M8

4G1

HYDROSTATIC DRIVE OIL LINES AND HOSES, LOWER (SIDEHILL FOUR WHEEL DRIVE)

(655201-)
HP5696 -UN-01JAN94

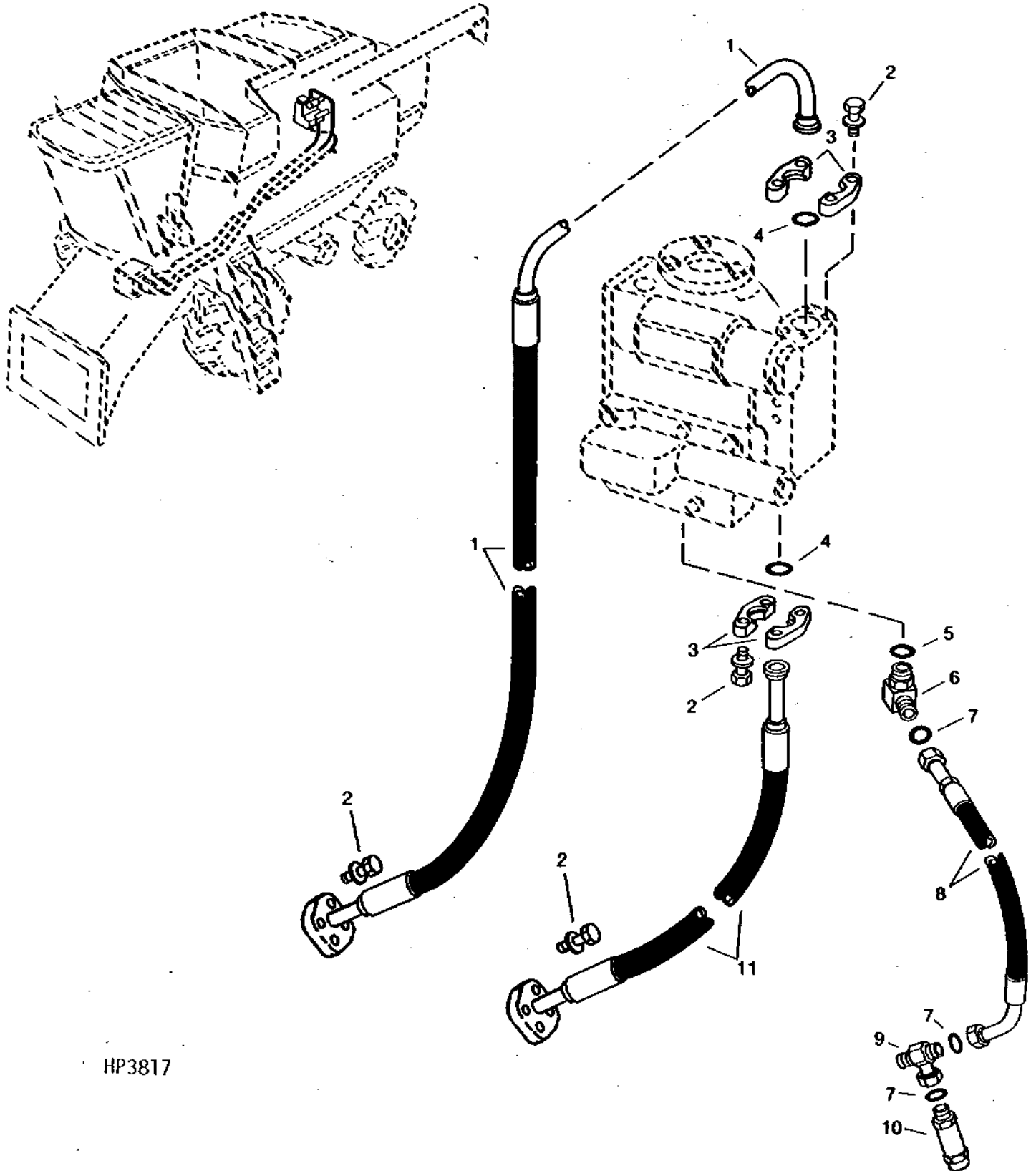


HP5696

HYDROSTATIC DRIVE OIL LINES AND HOSES, LOWER - CONTINUED
 (SIDEHILL FOUR WHEEL DRIVE)
 (655201-)

KEY	PART NO.	PART NAME	QTY	SERIAL NO.	S H 9 5 0 0 0 0	REMARKS
1	U12547	O-RING	1		X	23.470 X 2.946 MM (0.924" X 0.116")
2	38H1163	ADAPTER	1		X	
3	T77858	O-RING	1		X	18.771 X 1.778 MM (0.739" X 0.070")
4	AH142611	HYDRAULIC HOSE	1		X	1-3/16" X 1 924 MM (75-3/4") X 1-3/16" (CASE DRAIN)
5	14M7298	FLANGE NUT	2		X	M8
6	T78313	O-RING	2		X	32.918 X 3.531 MM (1.296" X 0.139")
7	H122182	EXTERNAL HALF COUPLER	8		X	
8	19M7970	SCREW	2		X	M8 X 100
9	H114901	PLATE	6		X	
10	H150223	HOSE CLAMP	8		X	
11	19M8039	SCREW	13	-655200	X	M8 X 80
	14M7396	LOCK NUT	13	655201-	X	M8
12	T72393	CLAMP	3		X	
13	H150222	HOSE CLAMP	6	655201-	X	(RD. HEAD)
14	03M7184	BOLT	8		X	M8 X 20 (RD. HEAD)
	14M7396	LOCK NUT	8		X	M8
15	H131115	BRACKET	1		X	
16	19H1740	CAP SCREW	8		X	7/16" X 1-3/4"
	12H293	LOCK WASHER	8		X	7/16"

HYDROSTATIC DRIVE HOSES, UPPER
(FOUR WHEEL DRIVE)
(-655200)
HP3817 -UN-01JAN94



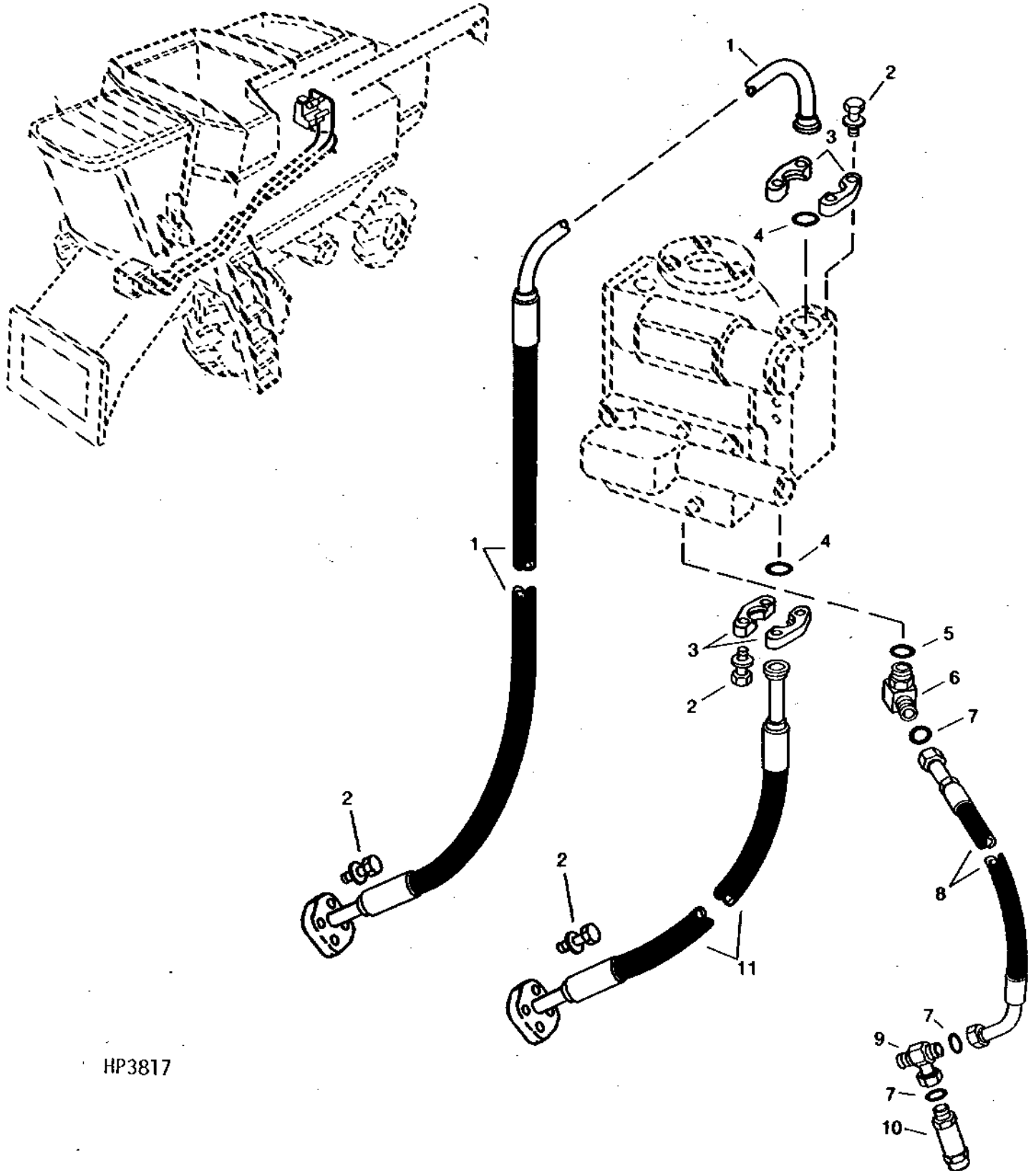
HP3817

**HYDROSTATIC DRIVE HOSES, UPPER - CONTINUED
(FOUR WHEEL DRIVE)
(-655200)**

KEY	PART NO.	PART NAME	QTY	SERIAL NO.	S H 9 5 0 0 0	REMARKS
1	AH128738	HYDRAULIC HOSE	1	-631764	X	1" X 1 050 MM (41-1/4") X 1", (SUB AH134951)
	AH134951	HYDRAULIC HOSE	1	631765-646484	X X	1-7/16" X 1 050 MM (41-1/4") X 1-7/16", (SUB AH141545)
	AH141545	HOSE	1		X X	
2	19H1740	CAP SCREW	8		X X	7/16" X 1-3/4"
	12H293	LOCK WASHER	8		X X	7/16"
3	H122182	EXTERNAL HALF COUPLER	4		X X	
4	T78313	O-RING	2		X X	32.918 X 3.531 MM (1.296" X 0.139")
5	U12547	O-RING	1		X X	23.470 X 2.946 MM (0.924" X 0.116")
6	38H1007	ELBOW FITTING	1		X X	
7	T77858	O-RING	3		X X	18.771 X 1.778 MM (0.739" X 0.070")
8	AH124008	HYDRAULIC HOSE	1		X X	1-3/16" X 725 MM (28-1/2") X 1-3/16" (UPPER CASE DRAIN)
9	38H1041	TEE FITTING	1		X X	
10	AH118337	CHECK VALVE	1		X X	
11	AH128737	HYDRAULIC HOSE	1	-631764	X	1" X 780 MM (30-3/4") X 1" (PRESSURE)(FOR NON POWERED REAR WHEELS) (SUB AH134950)
	AH134950	HOSE	1	631765-642578	X	1" X 815 MM (32") X 1" (PRESSURE)(FOR NON POWERED REAR WHEELS) (SUB AH140851)
	AH140851	HYDRAULIC HOSE	1	642579-646484	X X	1-7/16" X 815 MM (32") X 1-7/16", (SUB AH141543) (PRESSURE)(FOR NON POWERED REAR WHEELS)
	AH141543	HYDRAULIC HOSE	1		X X	1-7/16" X 815 MM (32") X 1-7/16"
	AH128739	HYDRAULIC HOSE	1	-631764	X	1" X 700 MM (27-1/2") X 1" (PRESSURE)(FOR POWERED REAR WHEELS) (SUB AH135039)
	AH135039	HYDRAULIC HOSE	1	631765-642578	X X	1" X 700 MM (27-1/2") X 1" (PRESSURE)(FOR POWERED REAR WHEELS) (SUB AH140852)
	AH140852	HYDRAULIC HOSE	1	642579-646484	X X	1-7/16" X 700 MM (27-1/2") X 1-7/16", (SUB AH141544) (PRESSURE)(FOR POWERED REAR WHEELS)
	AH141544	HYDRAULIC HOSE	1		X X	1-7/16" X 700 MM (27-1/2") X 1-7/16"
..	BH80002	COMPLETE GOODS/SHIP. BUNDLE	1		X X	4-WHEEL DRIVE CONVERSION
..	BH79964	COMPLETE GOODS/SHIP. BUNDLE	1		X	CONVERSION HYDRAULIC HOSES

HYDROSTATIC DRIVE HOSES, UPPER
(FOUR WHEEL DRIVE)

(655201-)
HP3817 -UN-01JAN94



HP3817

4G6

POWER TRAIN

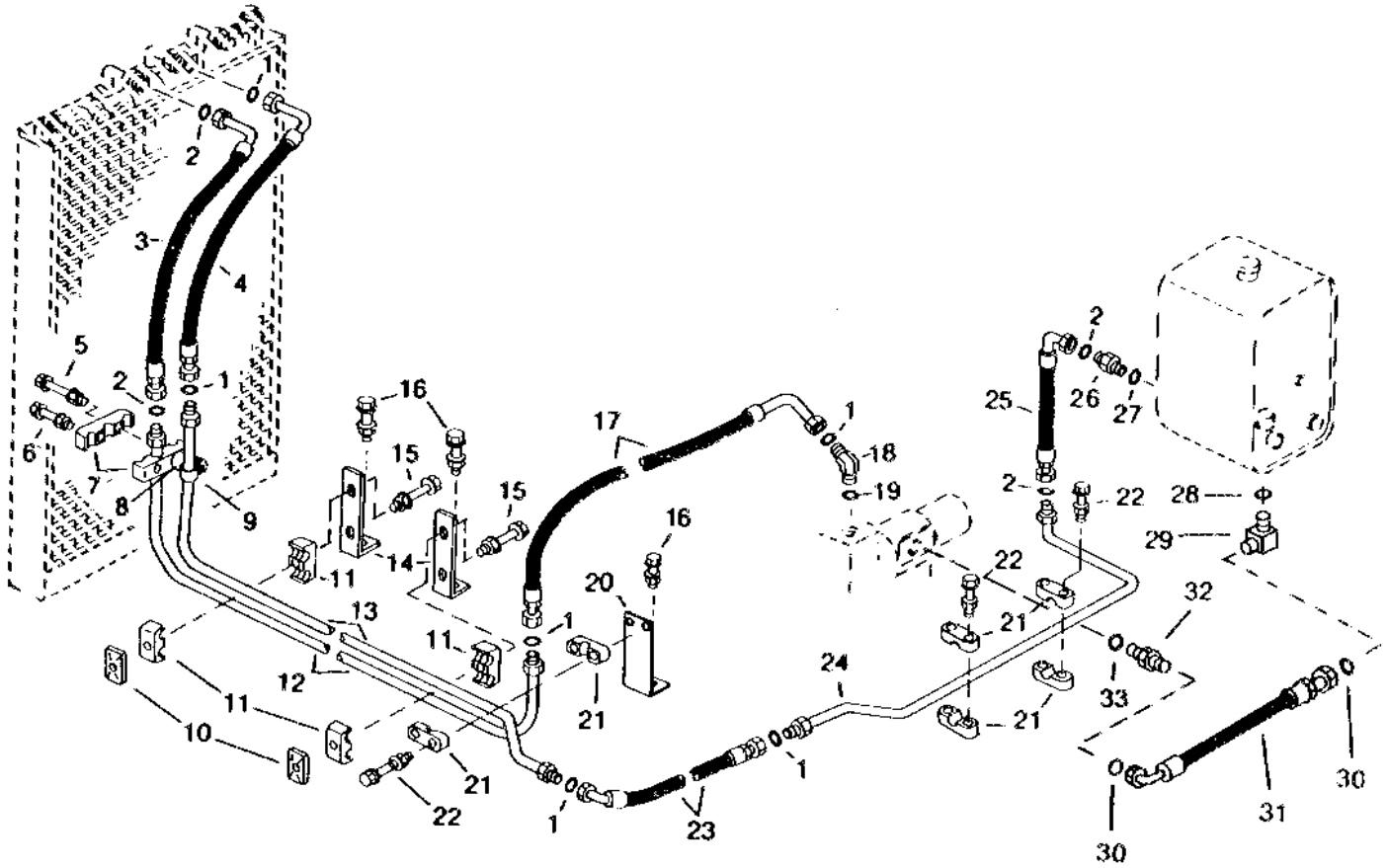
**HYDROSTATIC DRIVE HOSES, UPPER - CONTINUED
(FOUR WHEEL DRIVE)
(655201-)**

KEY	PART NO.	PART NAME	QTY	SERIAL NO.	S H 9 5 0 0 0 0	REMARKS
1	AH144192	HYDRAULIC HOSE	1		X X	1" X 975 MM (38-1/2") X 1"
2	19H1740	CAP SCREW	8		X X	7/16" X 1-3/4"
	12H293	LOCK WASHER	8		X X	7/16"
3	H122182	EXTERNAL HALF COUPLER	4		X X	
4	T78313	O-RING	2		X X	32.918 X 3.531 MM (1.296" X 0.139")
5	U12547	O-RING	1		X X	23.470 X 2.946 MM (0.924" X 0.116")
6	38H1007	ELBOW FITTING	1		X X	
7	T77858	O-RING	3		X X	18.771 X 1.778 MM (0.739" X 0.070")
8	AH124008	HYDRAULIC HOSE	1		X X	1-3/16" X 725 MM (28-1/2") X 1-3/16" (UPPER CASE DRAIN)
9	38H1041	TEE FITTING	1		X X	
10	AH118337	CHECK VALVE	1		X X	
11	AH141544	HYDRAULIC HOSE	1		X X	1-7/16" X 700 MM (27-1/2") X 1-7/16" (PRESSURE)(FOR POWERED REAR WHEELS)
	AH144194	HOSE	1	-656506	X X	1" X 4 785 MM (188-1/2") X 1", (SUB AH145691) (PRESSURE) (FOR NON POWERED REAR WHEELS)
	AH145691	HOSE	1	-656532	X X	1" X 4 700 MM (185") X 1", (SUB AH145880)
	AH145880	HOSE	1	-661617	X X	1" X 4 600 MM (181") X 1", (SUB AH143352)
	AH143352	HYDRAULIC HOSE	1	661618-	X X	1" X 5 175 MM (203-3/4") X 1", FORWARD PRESSURE
..	BH80002	COMPLETE GOODS/SHIP. BUNDLE	1		X X	4-WHEEL DRIVE CONVERSION
..	BH79964	COMPLETE GOODS/SHIP. BUNDLE	1		X	CONVERSION HYDRAULIC HOSES

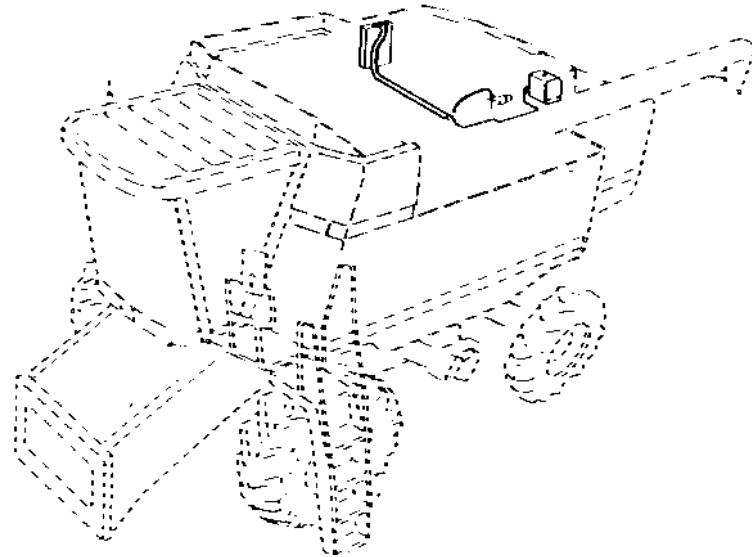
HYDROSTATIC OIL COOLER LINES AND HOSES

(-640200)

HP3605 -UN-01JAN94



HP3605



HYDROSTATIC OIL COOLER LINES AND HOSES - CONTINUED

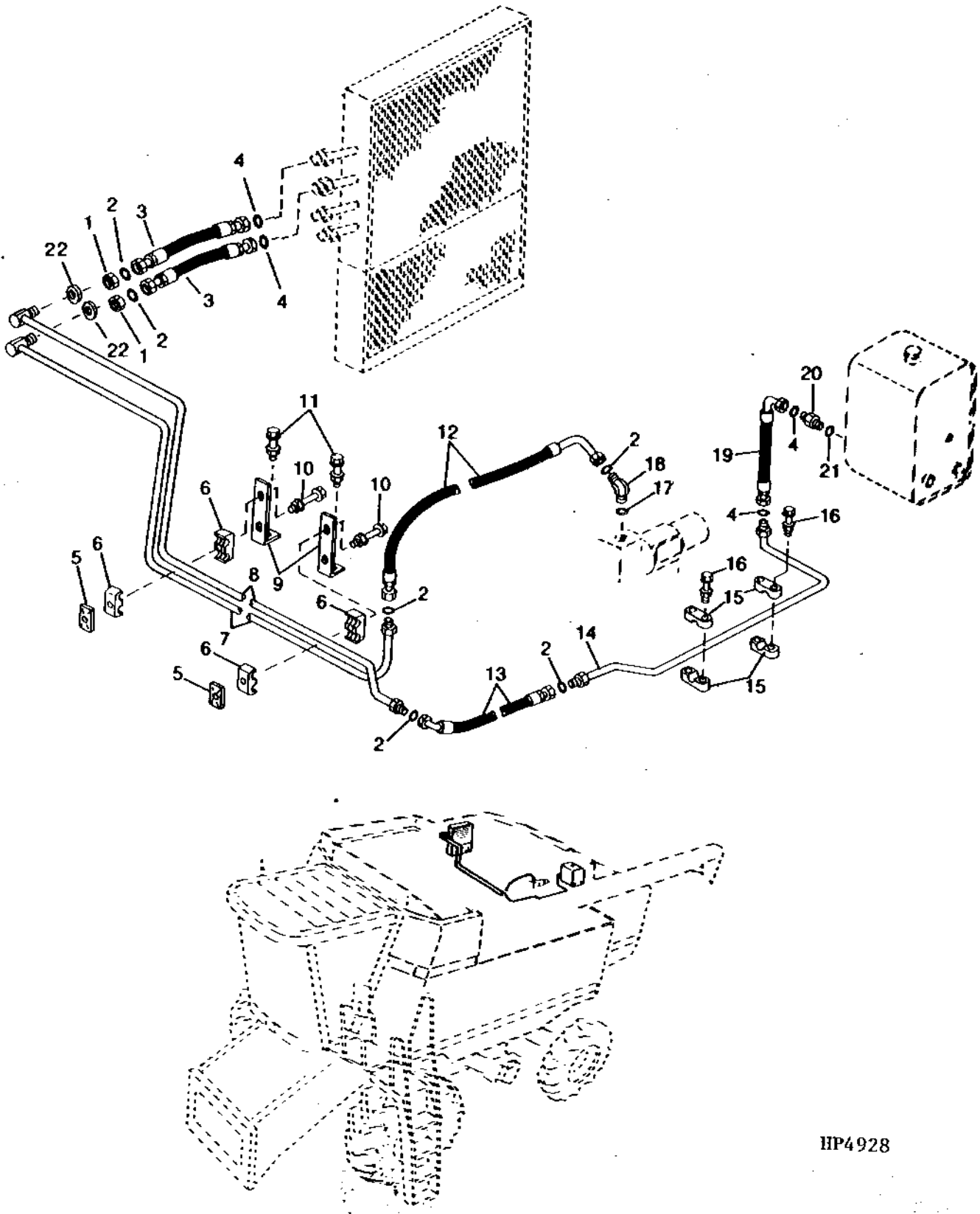
(-640200)

KEY	PART NO.	PART NAME	QTY	SERIAL NO.	S H 9 5 0 0 0 0	REMARKS
1	T76938	O-RING	6		X	23.520 X 1.778 MM (0.926" X 0.070")
2	T77858	O-RING	4		X	18.771 X 1.778 MM (0.739" X 0.070")
3	AH128775	HYDRAULIC HOSE	1		X	1-3/16" X 650 MM (25-1/2") X 1-3/16"
4	AH128776	HYDRAULIC HOSE	1		X	1-7/16" X 660 MM (26") X 1-7/16"
5	19M8039	SCREW	1		X	M8 X 80
	14M7298	FLANGE NUT	1		X	M8
6	19M7801	SCREW	1		X	M8 X 60
	14M7298	FLANGE NUT	1		X	M8
7	H130452	CLAMP	2		X	
8	28H1720	BUSHING	1		X	10.744 X 17.145 X 21.438 MM (0.423" X 0.675" X 27/32")
9	R72659	CLAMP	1		X	
10	H112567	PLATE	2		X	
11	H115379	CLAMP	4		X	
12	AH128769	HYDRAULIC LINE	1		X	
	AH138864	OIL LINE	1		X	
13	AH128771	HYDRAULIC LINE	1		X	
	AH133961	OIL LINE	1		X	
14	H130451	BRACKET	1		X	
15	19M7801	SCREW	2		X	M8 X 60
	14M7298	FLANGE NUT	2		X	M8
16	19M7866	SCREW	3		X	M8 X 20
	14M7298	FLANGE NUT	3		X	M8
17	AH125716	HYDRAULIC HOSE	1		X	1-7/16" X 1 125 MM (44-1/4") X 1-7/16"
18	38H1431	ELBOW FITTING	1		X	
19	U12547	O-RING	1		X	23.470 X 2.946 MM (0.924" X 0.116")
20	H133674	BRACKET	1		X	
21	H114432	CLAMP	6		X	
22	19M8321	SCREW	3		X	M6 X 45
	14M7303	FLANGE NUT	3		X	M6
23	AH124006	HYDRAULIC HOSE	1		X	1-7/16" X 800 MM (31-1/2") X 1-7/16"
24	AH132839	OIL LINE	1	-631855	X	(SUB AH135170 AND AH135171)
	AH135170	OIL LINE	1		X	
25	AH130567	HYDRAULIC HOSE	1	-631855	X	1-3/16" X 305 MM (12") X 1-3/16"
	AH135171	HYDRAULIC HOSE	1	631856-	X	1-3/16" X 260 MM (10-1/4") X 1-3/16"
26	38H1194	ADAPTER	1		X	
27	R29936	O-RING	1		X	29.743 X 2.946 MM (1.171" X 0.116")
28	R29936	O-RING	1		X	29.743 X 2.946 MM (1.171" X 0.116")
29	38H1037	ELBOW FITTING	1		X	
30	T76938	O-RING	2		X	23.520 X 1.778 MM (0.926" X 0.070")
31	AH126242	HYDRAULIC HOSE	1		X	1-7/16" X 730 MM (28-3/4") X 1-7/16"
32	38H1164	ADAPTER	1		X	
33	R29936	O-RING	1		X	29.743 X 2.946 MM (1.171" X 0.116")

HYDROSTATIC OIL COOLER LINES AND HOSES

(640201-665200)

HP4928 -UN-01JAN94



HP4928

4G10

POWER TRAIN

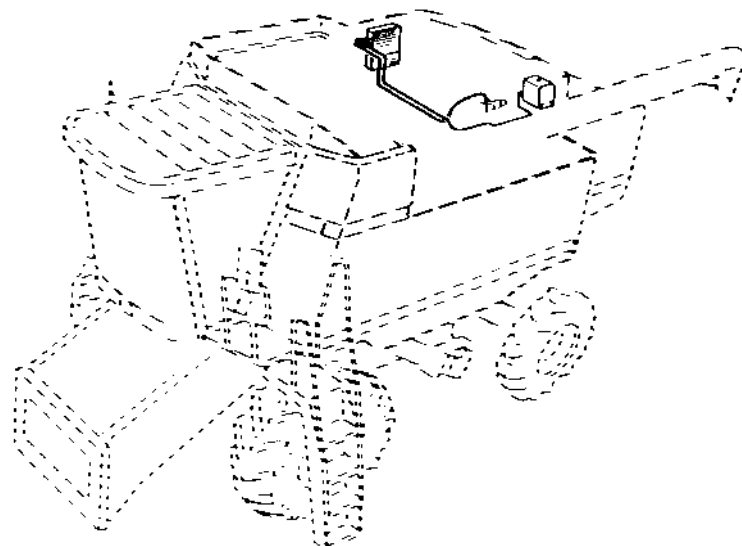
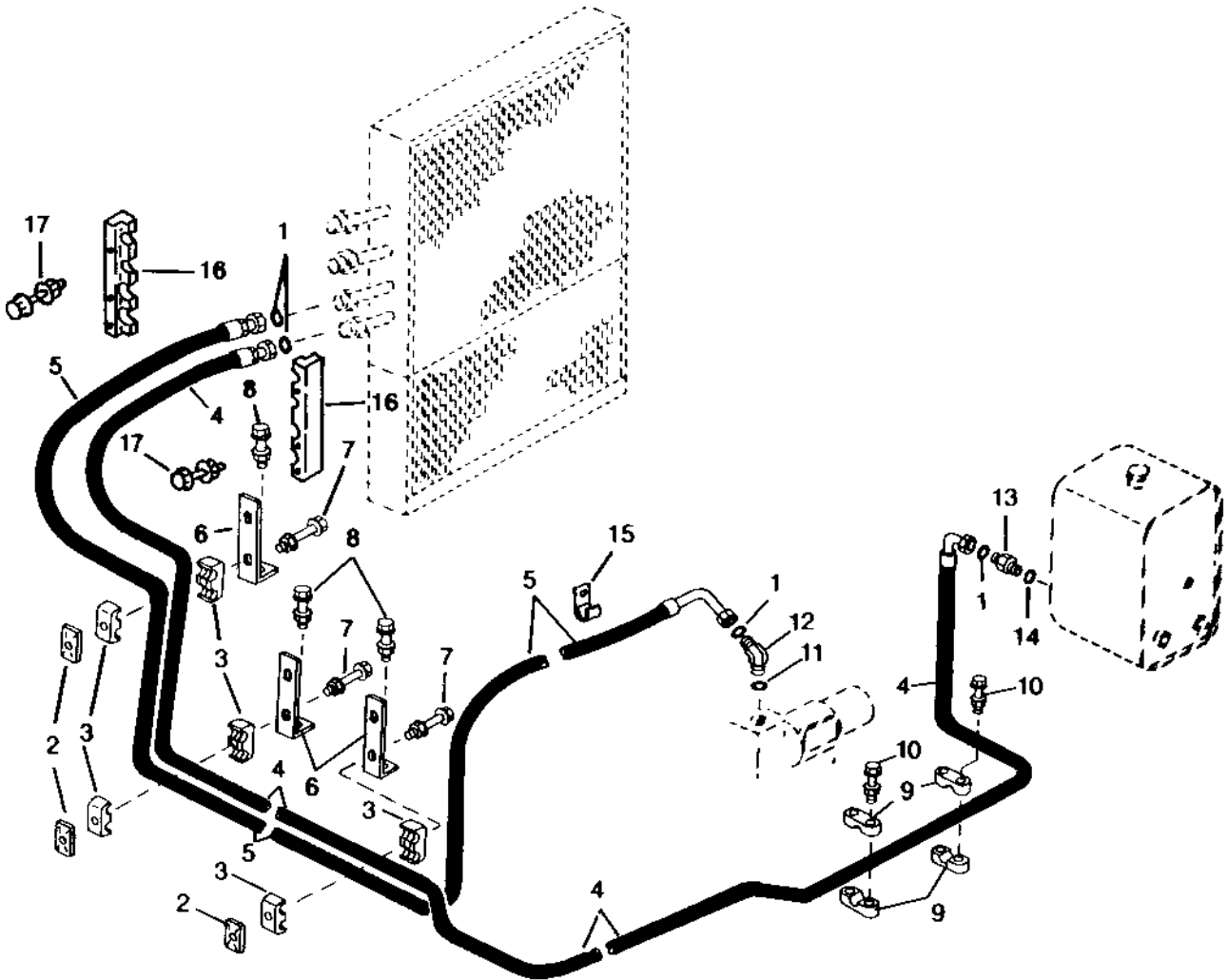
HYDROSTATIC OIL COOLER LINES AND HOSES- CONTINUED
(640201-665200)

KEY	PART NO.	PART NAME	QTY	SERIAL NO.	S H 9 5 0 0 0 0	REMARKS
1	T78715	NUT	2		X X	36.525 MM
2	T76938	O-RING	6		X X	23.520 X 1.778 MM (0.926" X 0.070")
3	AH128993	HYDRAULIC HOSE	2		X X	1-3/16" X 265 MM (10-1/2") X 1-7/16"
4	T77858	O-RING	4		X X	18.771 X 1.778 MM (0.739" X 0.070")
5	H112567	PLATE	2		X X	
6	H115379	CLAMP	4		X X	
7	AH138864	OIL LINE	1		X X	
8	AH133961	OIL LINE	1		X X	
9	H130451	BRACKET	2		X X	
10	19M7801	SCREW	2		X X	M8 X 60
	14M7298	FLANGE NUT	2		X X	M8
11	U12547	O-RING	1		X X	23.470 X 2.946 MM
	14M7298	FLANGE NUT	2		X X	M8
12	AH125716	HYDRAULIC HOSE	1		X X	1-7/16" X 1 125 MM (44-1/4") X 1-7/16"
13	AH124006	HYDRAULIC HOSE	1		X X	1-7/16" X 800 MM (31-1/2") X 1-7/16"
14	AH135170	OIL LINE	1		X X	
15	H114432	CLAMP	4		X X	
16	H151585	CLAMP	2		X X	
	14M7303	FLANGE NUT	2		X X	M6
17	U12547	O-RING	1		X X	23.470 X 2.946 MM
18	38H1431	ELBOW FITTING	1		X X	
19	AH135171	HYDRAULIC HOSE	1		X X	1-3/16" X 260 MM (10-1/4") X 1-3/16"
20	38H1194	ADAPTER	1		X X	
21	R29936	O-RING	1		X X	29.743 X 2.946 MM (1.171" X 0.116")
22	24H1534	WASHER	2	643088-	X X	38.887 X 52.375 X 1.524 MM (1-17/32" X 2-1/16" X 0.060")

4G11

HYDROSTATIC OIL COOLER LINES AND HOSES

(665201-)
HP6090 -UN-14JUN95



HP6090

4G12

POWER TRAIN

HYDROSTATIC OIL COOLER LINES AND HOSES- CONTINUED
(665201-)

KEY	PART NO.	PART NAME	QTY	SERIAL NO.	S H 9 5 0 0 0 0	REMARKS
1	T77858	O-RING	4		X X	18.771 X 1.778 MM
2	H114901	PLATE	3		X X	
3	H150982	CLAMP	5		X X	
4	AH145235	HYDRAULIC HOSE	1		X X	
5	AH145237	HYDRAULIC HOSE	1		X X	
6	H150980	BRACKET	3		X X	
7	19M8039	SCREW	3		X X	M8 X 80
	14M7298	FLANGE NUT	3		X X	M8
8	19M7866	SCREW	3		X X	M8 X 20
	14M7298	FLANGE NUT	3		X X	M8
9	H145247	HALF CLAMP	4		X X	
10	19M7801	SCREW	2		X X	M8 X 60
	14M7298	FLANGE NUT	2		X X	M8
11	U12547	O-RING	1		X X	23.470 X 2.946 MM
12	38H1163	ADAPTER	1		X X	
13	38H1194	ADAPTER	1		X X	
14	R29936	O-RING	1		X X	29.743 X 2.946 MM (1.171" X 0.116")
15	AH90990	CLIP	1		X X	
16	H151585	CLAMP	2		X X	
17	19M8318	SCREW	6		X X	M8 X 45
	14M7298	FLANGE NUT	6		X X	M8

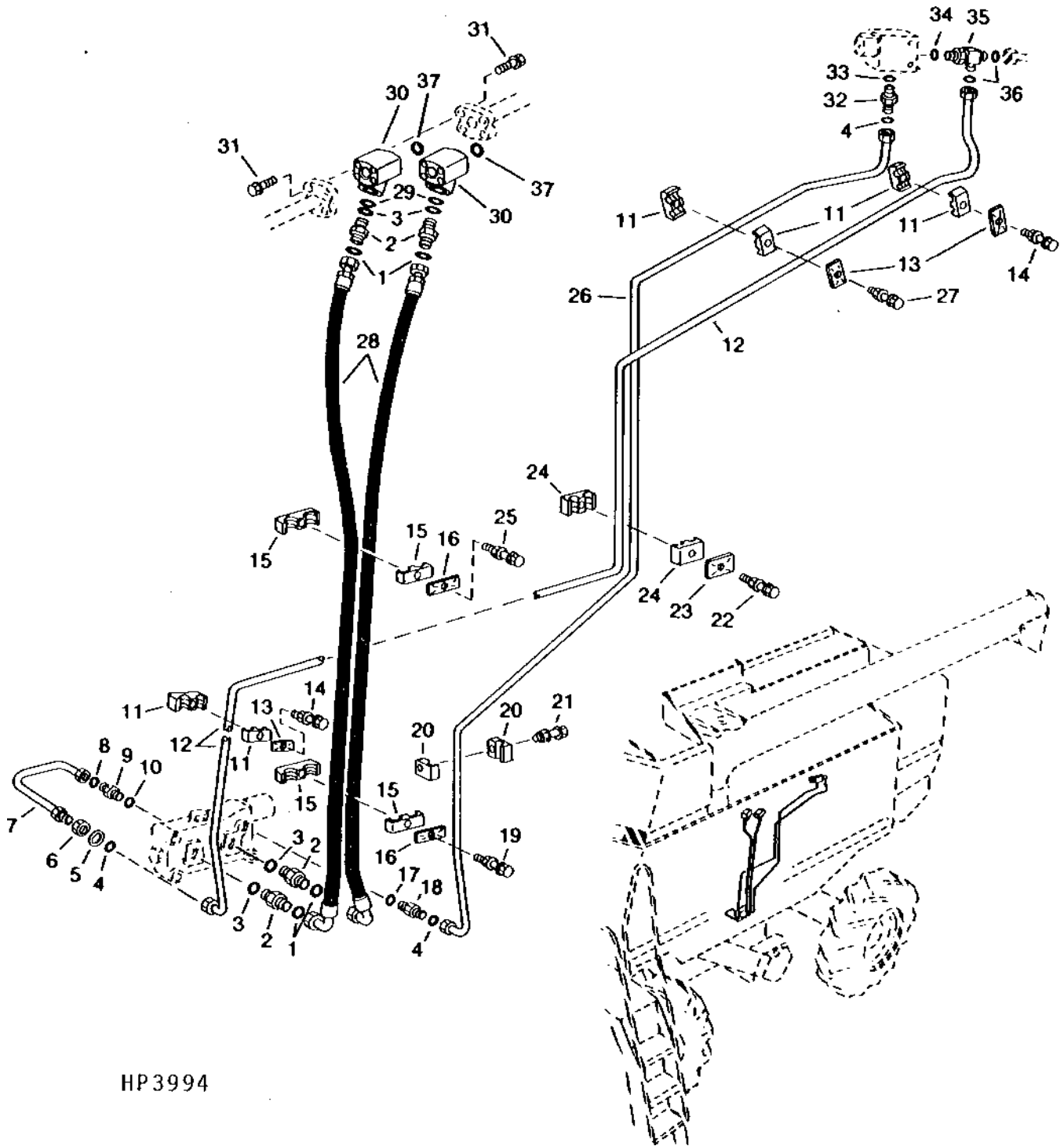
4G13

POWER TRAIN

4-WHEEL DRIVE HYDRAULIC LINES AND HOSES, L.H. SIDE

(-655200)

HP3994 -UN-01JAN94



HP3994

4G14

POWER TRAIN

4-WHEEL DRIVE HYDRAULIC LINES AND HOSES, L.H. SIDE - CONTINUED
(-655200)

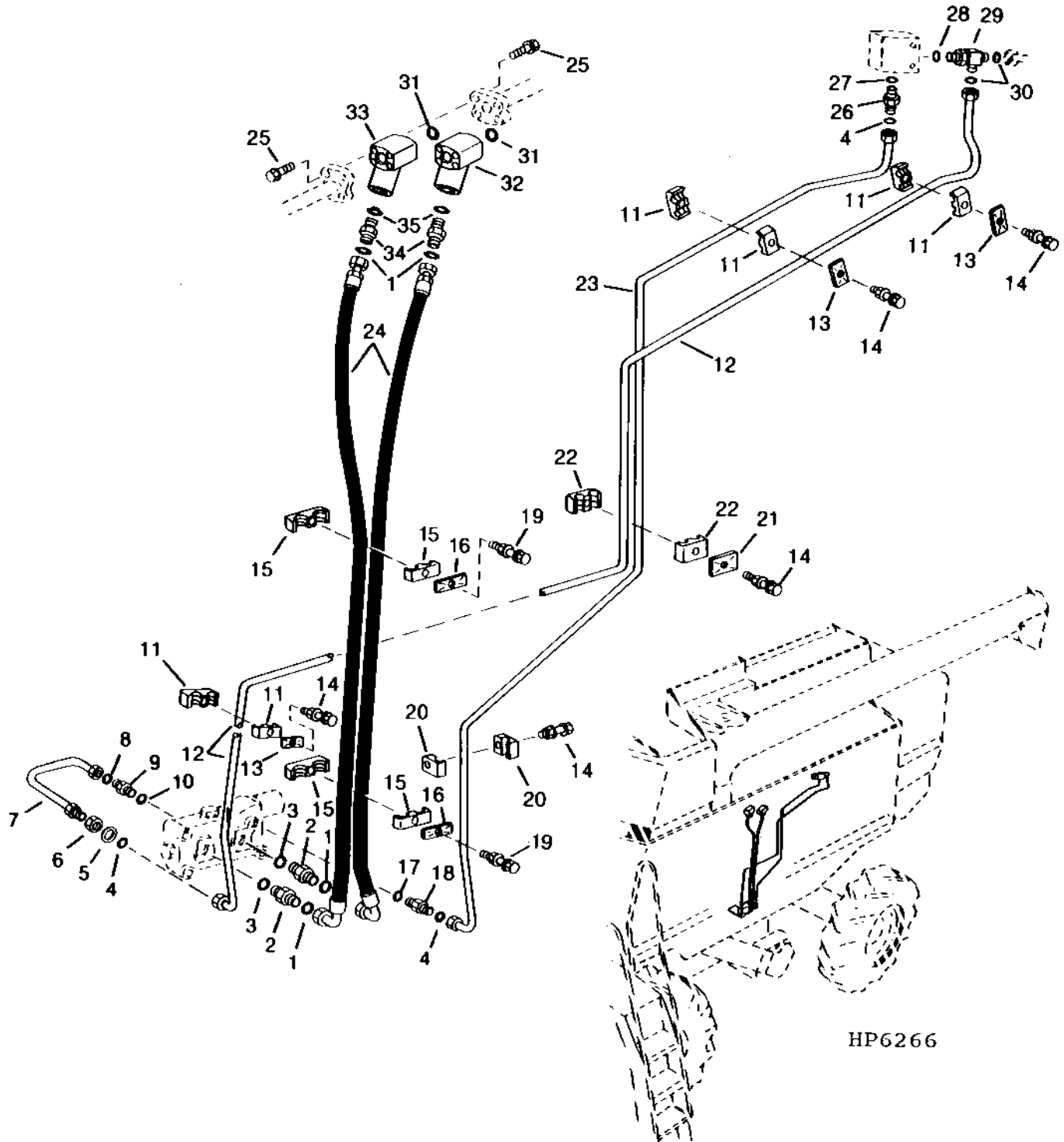
KEY	PART NO.	PART NAME	QTY	SERIAL NO.	S H 9 5 0 0 0	REMARKS
1	T77858	O-RING	4		X X	18.771 X 1.778 MM (0.739" X 0.070")
2	38H1163	ADAPTER	4		X X	
3	U12547	O-RING	4		X X	23.470 X 2.946 MM (0.924" X 0.116")
4	T77613	O-RING	3		X X	9.246 X 1.778 MM (0.364" X 0.070")
5	24M7114	WASHER	1		X X	19 X 30 X 4 MM
6	T81029	NUT	1		X X	17.475 MM (11/16")
7	AH130611	HYDRAULIC LINE	1		X X	
8	T77814	O-RING	1		X X	7.645 X 1.778 MM (0.301" X 0.070")
9	38H1168	ADAPTER	1		X X	
10	R26448	O-RING	1		X X	11.887 X 1.981 MM (0.468" X 5/64")
11	H114865	CLAMP	6		X X	
12	AH130447	OIL LINE	1		X X	(RETURN)
13	H112567	PLATE	3		X X	
14	03M7245	BOLT	2		X X	M8 X 55
	14M7298	FLANGE NUT	2		X X	M8
15	H114898	CLAMP	4		X X	
16	H114901	PLATE	2		X X	
17	R28782	O-RING	1		X X	8.915 X 1.829 MM (0.351" X 0.072")
18	38H1309	ADAPTER	1		X X	
19	19M8039	SCREW	1		X X	M8 X 80
	14M7396	LOCK NUT	1		X X	M8
20	H127589	CLAMP	2		X X	
21	19M8317	SCREW	1	-642578	X	M8 X 40
	19M7867	SCREW	1	642579-	X X	M8 X 25
	14M7298	FLANGE NUT	1		X X	M8
22	03M7187	BOLT	1		X X	M8 X 35
	14M7298	FLANGE NUT	1		X X	M8
23	H121163	COVER	1		X X	
24	H128515	CLAMP	2		X X	
25	03M7267	BOLT	1		X X	M8 X 80
	14M7396	LOCK NUT	1		X X	M8
26	AH131300	HYDRAULIC LINE	1	-635200	X	(PRESSURE) (SUB AH135620)
	AH135620	OIL LINE	1		X X	(PRESSURE)
27	19M7801	SCREW	1		X X	M8 X 60
	14M7298	FLANGE NUT	1		X X	M8
28	AH125941	HYDRAULIC HOSE	2		X X	1-3/16" X 1 625 MM (64") X 1-3/16" (FORWARD AND REVERSE)
29	H61355	O-RING	2	-661455	X X	32.918 X 3.531 MM (1.296" X 0.139") (SUB T78313)
	T78313	O-RING	2		X X	32.918 X 3.531 MM (1.296" X 0.139")
30	H126368	MANIFOLD	2		X X	
31	19M8162	CAP SCREW	16		X X	M10 X 40
32	38H1160	ADAPTER	1		X X	
33	R26448	O-RING	1		X X	11.887 X 1.981 MM (0.468" X 5/64")
34	R26375	O-RING	1		X X	16.358 X 2.210 MM (0.644" X 0.087")
35	38H1024	TEE FITTING	1		X X	
36	T77857	O-RING	2		X X	12.421 X 1.778 MM (0.489" X 0.070")
37	T78313	O-RING	2		X X	32.918 X 3.531 MM (1.296" X 0.139")

4G15

POWER TRAIN

4-WHEEL DRIVE HYDRAULIC LINES AND HOSES, L.H. SIDE

(655201-)
HP6266 -UN-17JAN96



HP6266

4G16

POWER TRAIN

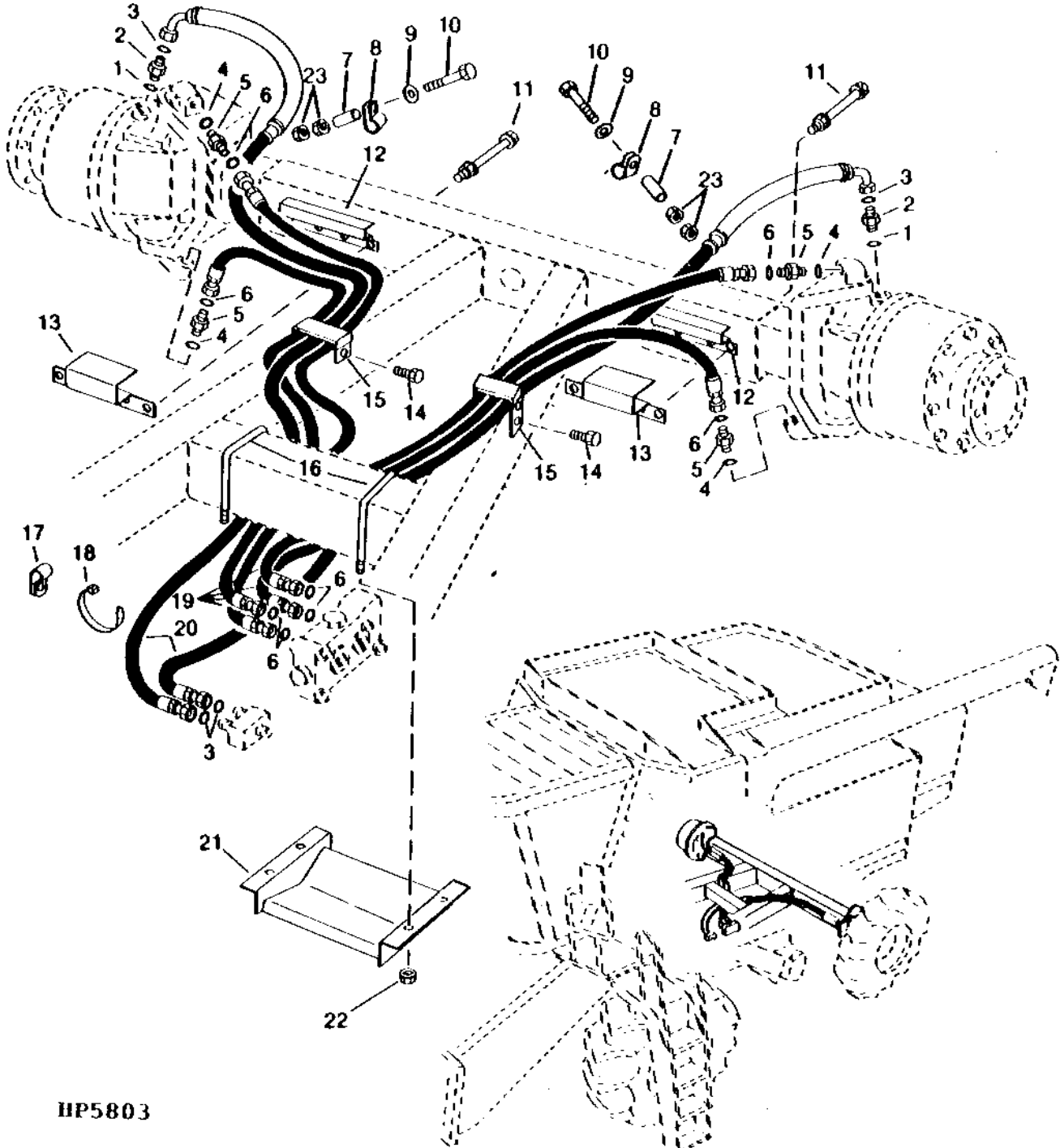
4-WHEEL DRIVE HYDRAULIC LINES AND HOSES, L.H. SIDE - CONTINUED
(655201-)

KEY	PART NO.	PART NAME	QTY	SERIAL NO.	S H 9 5 5 0 0 0 0	REMARKS
1	T77858	O-RING	4		X X	18.771 X 1.778 MM (0.739" X 0.070")
2	38H1163	ADAPTER	2		X X	
3	U12547	O-RING	2		X X	23.470 X 2.946 MM (0.924" X 0.116")
4	T77613	O-RING	3		X X	9.246 X 1.778 MM (0.364" X 0.070")
5	24M7114	WASHER	1		X X	19 X 30 X 4 MM
6	T81029	NUT	1		X X	17.475 MM (11/16")
7	AH130611	HYDRAULIC LINE	1		X X	
8	T77814	O-RING	1		X X	7.645 X 1.778 MM (0.301" X 0.070")
9	38H1168	ADAPTER	1		X X	
10	R26448	O-RING	1		X X	11.887 X 1.981 MM (0.468" X 5/64")
11	H114865	CLAMP	6		X X	
12	AH130447	OIL LINE	1		X X	(RETURN)
13	H112567	PLATE	3		X X	
14	19M8317	SCREW	5	-642578	X X	M8 X 40
	19M7867	SCREW	5	642579-	X X	M8 X 25
	14M7298	FLANGE NUT	5		X X	M8
15	H114898	CLAMP	4		X X	
16	H114901	PLATE	2		X X	
17	R28782	O-RING	1		X X	8.915 X 1.829 MM (0.351" X 0.072")
18	38H1309	ADAPTER	1		X X	
19	19M8039	SCREW	2		X X	M8 X 80
	14M7396	LOCK NUT	2		X X	M8
20	H127589	CLAMP	2		X X	
21	H121163	COVER	1		X X	
22	H128515	CLAMP	2		X X	
23	AH135620	OIL LINE	1		X X	(PRESSURE)
24	AH139802	HYDRAULIC HOSE	2		X X	1-3/16" X 1 575 MM (62") X 1-3/16"
25	19M8162	CAP SCREW	16		X X	M10 X 40
26	38H1160	ADAPTER	1		X X	
27	R26448	O-RING	1		X X	11.887 X 1.981 MM (0.468" X 5/64")
28	R26375	O-RING	1		X X	16.358 X 2.210 MM (0.644" X 0.087")
29	38H1024	TEE FITTING	1		X X	
30	T77857	O-RING	2		X X	12.421 X 1.778 MM (0.489" X 0.070")
31	T78313	O-RING	2		X X	32.918 X 3.531 MM (1.296" X 0.139")
32	AH133941	MANIFOLD	1		X X	42 GPM, FWD PRESS.
33	AH133942	MANIFOLD	1		X X	30 GPM, REV PRESS.
34	38H1329	ADAPTER	2		X X	
35	R29936	O-RING	2		X X	29.743 X 2.946 MM (1.171" X 0.116")
..	BH80002	COMPLETE GOODS/SHIP. BUNDLE	1		X X	4-WHEEL DRIVE CONVERSION

4G17

4-WHEEL DRIVE LINES AND HOSES (FROM FLOW CONTROL VALVE TO CAM LOBE MOTORS)

HP5803 -UN-01JAN94



HP5803

4G18

POWER TRAIN

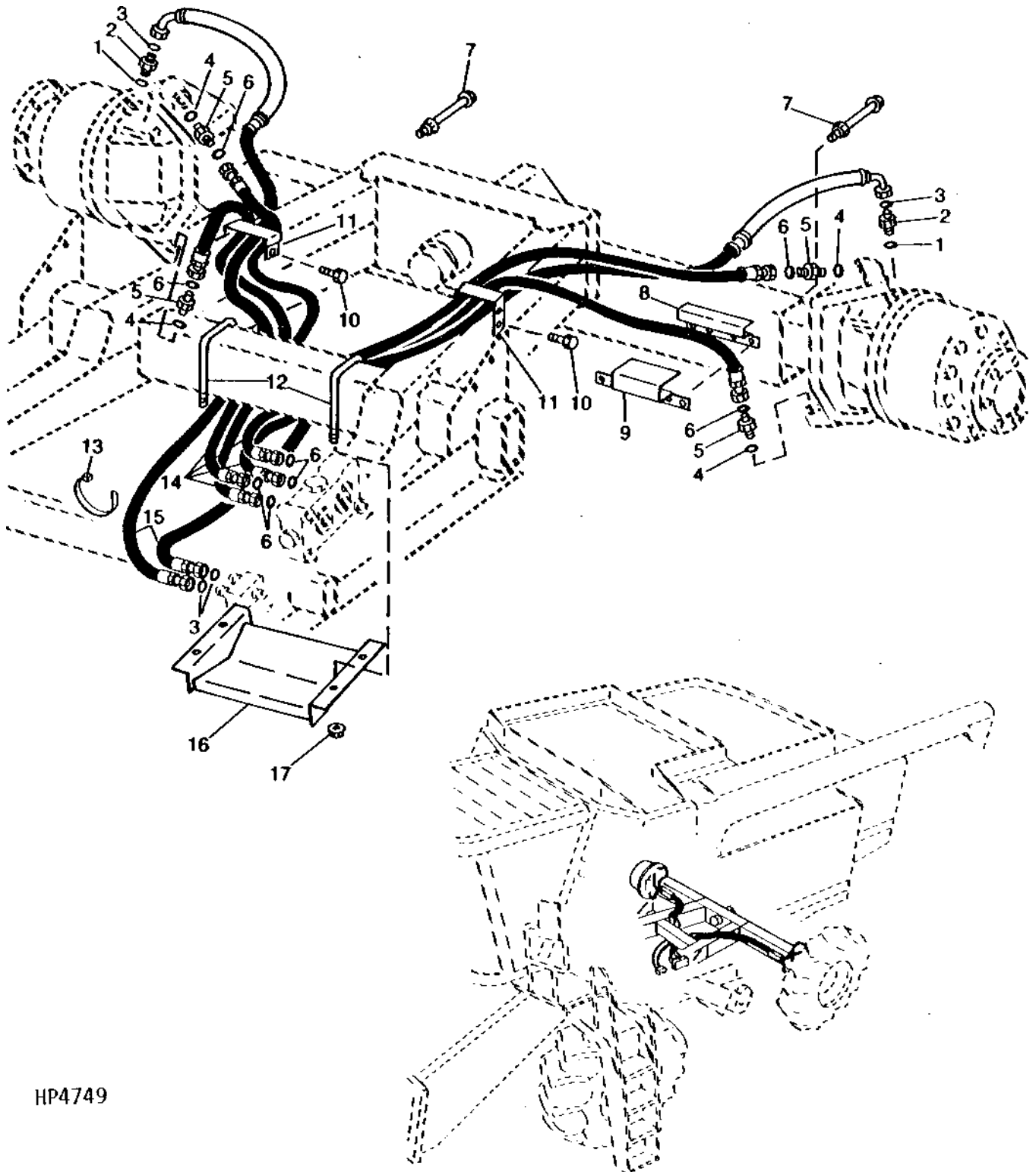
**4-WHEEL DRIVE LINES AND HOSES - CONTINUED
(FROM FLOW CONTROL VALVE TO CAM LOBE MOTORS)**

KEY	PART NO.	PART NAME	QTY	SERIAL NO.	S H 9 5 5 0 0 0 0	REMARKS
1	R26375	O-RING	2		X	16.358 X 2.210 MM (0.644" X 0.087")
2	38H1178	ADAPTER	2		X	(SUB T77857)
3	T77858	O-RING	4		X	18.771 X 1.778 MM (0.739" X 0.070")
4	U12547	O-RING	4		X	23.470 X 2.946 MM (0.924" X 0.116")
5	38H1329	ADAPTER	4		X	
6	T77932	O-RING	8		X	15.596 X 1.778 MM (0.614" X 0.070")
7	T25473	SPACER	2		X	10.312 X 19.050 X 64.008 MM (13/32" X 3/4" X 2.520")
8	H134690	CLAMP	2	-640200	X	
	H145247	HALF CLAMP	4	640201-	X	
9	24H1237	WASHER	2	-641680	X	25/64" X 7/8" X 0.060"
	24H1305	WASHER	2	641681-	X	13/32" X 13/16" X 0.065"
10	19H1912	CAP SCREW	2	-640200	X	3/8" X 3-1/2"
	19M7801	SCREW	4	640201-	X	M8 X 60
11	H121472	BOLT	4		X	
	14M7300	FLANGE NUT	4		X	M20
12	H131996	SHIELD	2		X	
13	H133671	SHIELD	2		X	
14	37M7092	SCREW	6		X	M8 X 16
15	AH117418	STRAP	2		X	
16	H133669	U-BOLT	2		X	
17	AH77884	CLIP	1	-640200	X	CLIP AND HARDWARE NO LONGER REQ.
	19M7865	SCREW	1	-640200	X	M8 X 16, NO LONGER REQUIRED
	14M7298	FLANGE NUT	1	-640200	X	M8, NO LONGER REQUIRED
18	H113196	TIE BAND	1		X	
19	AH128761	HYDRAULIC HOSE	4	-655200	X	1" X 3 151 MM (124") X 1" (FORWARD AND REVERSE) (SUB AH143406)
	AH143406	HYDRAULIC HOSE	4		X	1" X 3 240 MM (127-1/2") X 1"
	AH143407	HYDRAULIC HOSE	4	655201-	X	1" X 3 375 MM (132-3/4") X 1", (CONVERSION)
20	AH130865	HYDRAULIC HOSE	2	-640200	X	1-3/16" X 3 900 MM (153-1/2") X 1-3/16", (CASE DRAIN)
	AH139853	HYDRAULIC HOSE	2	640201-	X	1-3/16" X 3 900 MM (153-1/2") X 1-3/16", (CASE DRAIN)
	AH139854	HYDRAULIC HOSE	2	655201-	X	1-3/16" X 4 025 MM (158-1/2") X 1-3/16", (CONVERSION)
21	AH128757	SHIELD	1		X	
22	14M7296	FLANGE NUT	4		X	M10
23	14M7298	FLANGE NUT	4	640201-	X	M8
..	TY16285	PRIMER	1		X	(SUB FOR TY6305) ON KEY 10 AND HOLE
..	TY9473	ADHESIVE	1		X	(SUB T43512) ON KEY 10 AND HOLE
..	T43512	SEALANT	1	-640200	X	

4G19

4-WHEEL DRIVE LINES AND HOSES (SIDEHILL) (FROM FLOW CONTROL VALVE TO CAM LOBE MOTORS)

HP4749 -UN-01JAN94



HP4749

4G20

POWER TRAIN

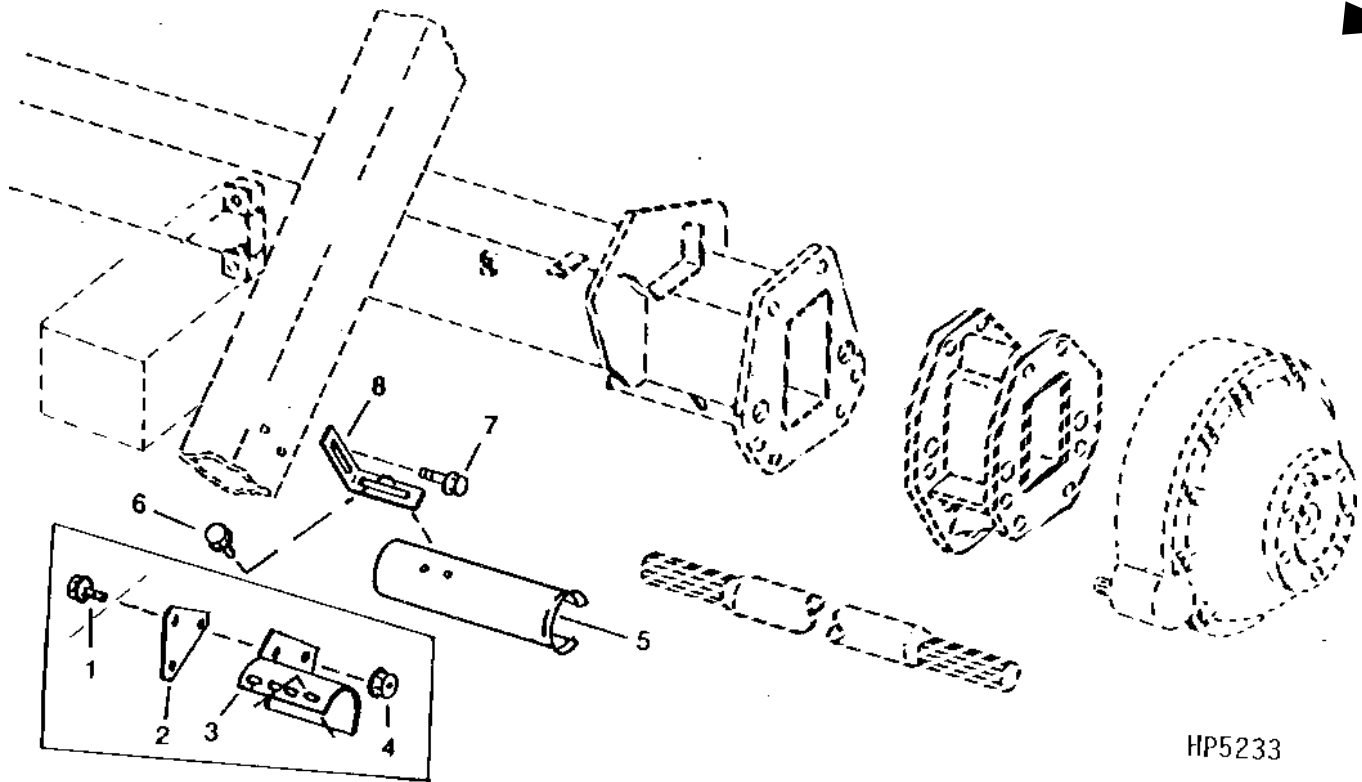
**4-WHEEL DRIVE LINES AND HOSES (SIDEHILL) - CONTINUED
(FROM FLOW CONTROL VALVE TO CAM LOBE MOTOR)**

KEY	PART NO.	PART NAME	QTY	SERIAL NO.	S H 9 5 0 0 0	REMARKS
1	R26375	O-RING	2		X	16.358 X 2.210 MM (0.644" X 0.087")
2	38H1178	ADAPTER	2		X	
3	T77858	O-RING	4		X	18.771 X 1.778 MM (0.739" X 0.070")
4	U12547	O-RING	4		X	23.470 X 2.946 MM (0.924" X 0.116")
5	38H1329	ADAPTER	4		X	
6	T77932	O-RING	8		X	15.596 X 1.778 MM (0.614" X 0.070")
7	H121472	BOLT	4		X	M20 X 180
	14M7300	FLANGE NUT	4		X	M20
8	H131996	SHIELD	2		X	
9	H133671	SHIELD	2		X	
10	37M7092	SCREW	6		X	M8 X 16
11	AH117418	STRAP	2		X	
12	H133669	U-BOLT	2		X	
13	H113196	TIE BAND	1		X	
14	AH128762	HYDRAULIC HOSE	4	-655280	X	1" X 3 286 MM (129-1/4") X 1" (FORWARD AND REVERSE) (SUB AH143407)
	AH143407	HYDRAULIC HOSE	4		X	1" X 3 375 MM (132-3/4") X 1"
15	AH139854	HYDRAULIC HOSE	2		X	1-3/16" X 4 025 MM (158-1/2") X 1-3/16" (CASE DRAIN)
16	AH128757	SHIELD	1		X	
17	14M7296	FLANGE NUT	4		X	M10
..	T43512	SEALANT	1		X	ON KEY 10 AND HOLE

4G21

POWER TRAIN

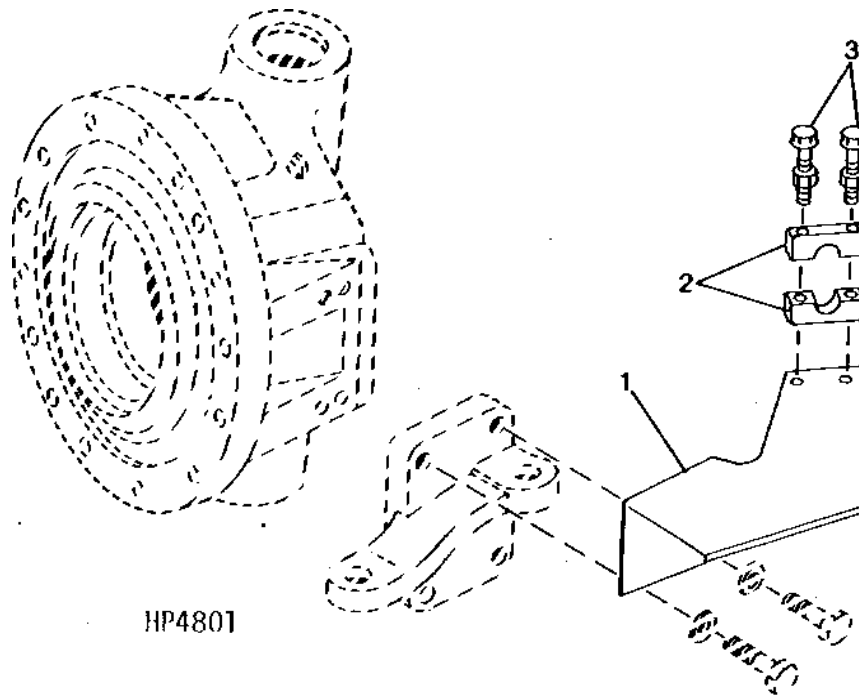
FINAL DRIVE SHAFT SHIELDS - (RING AND PINION)
 (FOR RICE ONLY)
 (LEFT-HAND SIDE ILLUSTRATED)
 HP5233 -UN-01JAN94



KEY	PART NO.	PART NAME	QTY	SERIAL NO.	S	H	REMARKS
					9	9	
					5	5	
					0	0	
					0	0	
1	19M7785	SCREW	6	-645877	X		M10 X 25
2	H137779	PLATE	2	-645877	X		
3	AH132363	POWERSHAFT SHIELD	1	-642858	X		(SUB AH139898) L.H.
	AH139898	POWERSHAFT SHIELD	1	-645877	X		L.H. (INCLUDES DIRECTION)
	AH132364	POWERSHAFT SHIELD	1	-642858	X		(SUB AH139899) R.H.
	AH139899	POWERSHAFT SHIELD	1	-645877	X		R.H. (INCLUDES DIRECTION)
4	14M7296	FLANGE NUT	6	-645877	X		M10
5	AH132213	POWERSHAFT SHIELD	2	-642858	X		USE WITH NO AXLE SPACER (INCLUDES DIRECTION)
	AH139895	POWERSHAFT SHIELD	2	642859-	X		USE WITH NO AXLE SPACER
	AH132236	POWERSHAFT SHIELD	2	-642858	X		(SUB AH132239 AND AH139898 AND AH139899) USE WITH 165 MM AXLE SPACER
	AH132239	POWERSHAFT SHIELD	2	642859-	X		USE WITH 165 MM AXLE SPACER
	AH132237	POWERSHAFT SHIELD	2		X		USE WITH 400 MM AXLE SPACER
	AH132238	POWERSHAFT SHIELD	2		X		USE WITH 454 AXLE SPACER
	AH139896	POWERSHAFT SHIELD	2	642859-	X		USE WITH 300 MM AXLE SPACER
6	19M7783	SCREW	4		X		M10 X 16, (INTO WELDNUTS)
7	19M7783	SCREW	4	645878-	X		M10 X 16
8	H147490	ANGLE	2	645878-	X		
..	BH79825	COMPLETE GOODS/SHIP. BUNDLE	1		X		300MM AXLE SPACER (RICE)

MUD SHIELDS - POWERED REAR WHEELS

HP4801 -UN-01JAN94



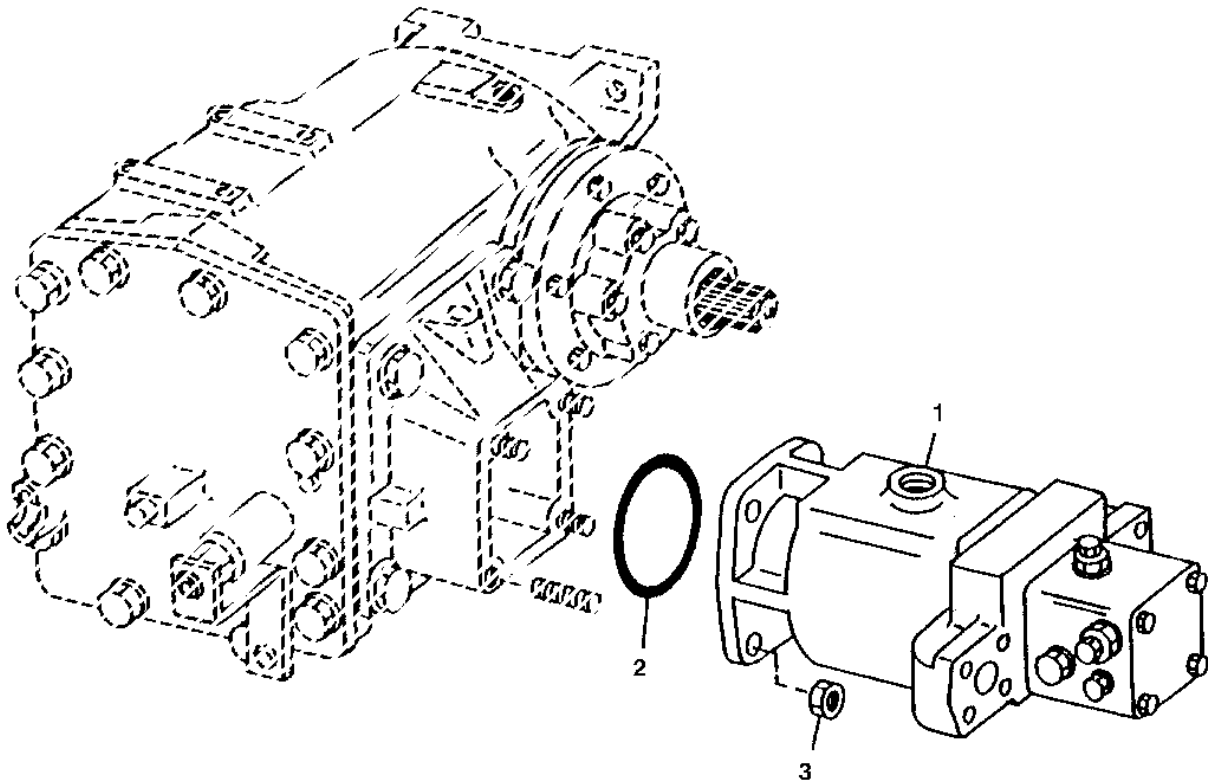
HP4801

KEY	PART NO.	PART NAME	QTY	SERIAL NO.	S H 9 9 5 5 0 0 0 0	REMARKS
1	H146088	SHIELD	1		X X	LEFT-HAND
	H146089	SHIELD	1		X X	RIGHT-HAND
2	H145247	HALF CLAMP	2		X X	
3	19M7801	SCREW	2		X X	M8 X 60
	14M7298	FLANGE NUT	2		X X	M8
..	BH80002	COMPLETE GOODS/SHIP. BUNDLE	1		X X	4-WHEEL DRIVE CONVERSION
..	BH79904	COMPLETE GOODS/SHIP. BUNDLE	1		X X	4-WHEEL DRIVE CONVERSION

4G23

POWER TRAIN

HYDROSTATIC DRIVE MOTOR
HP6551 -UN-23AUG96



HP6551

4G24

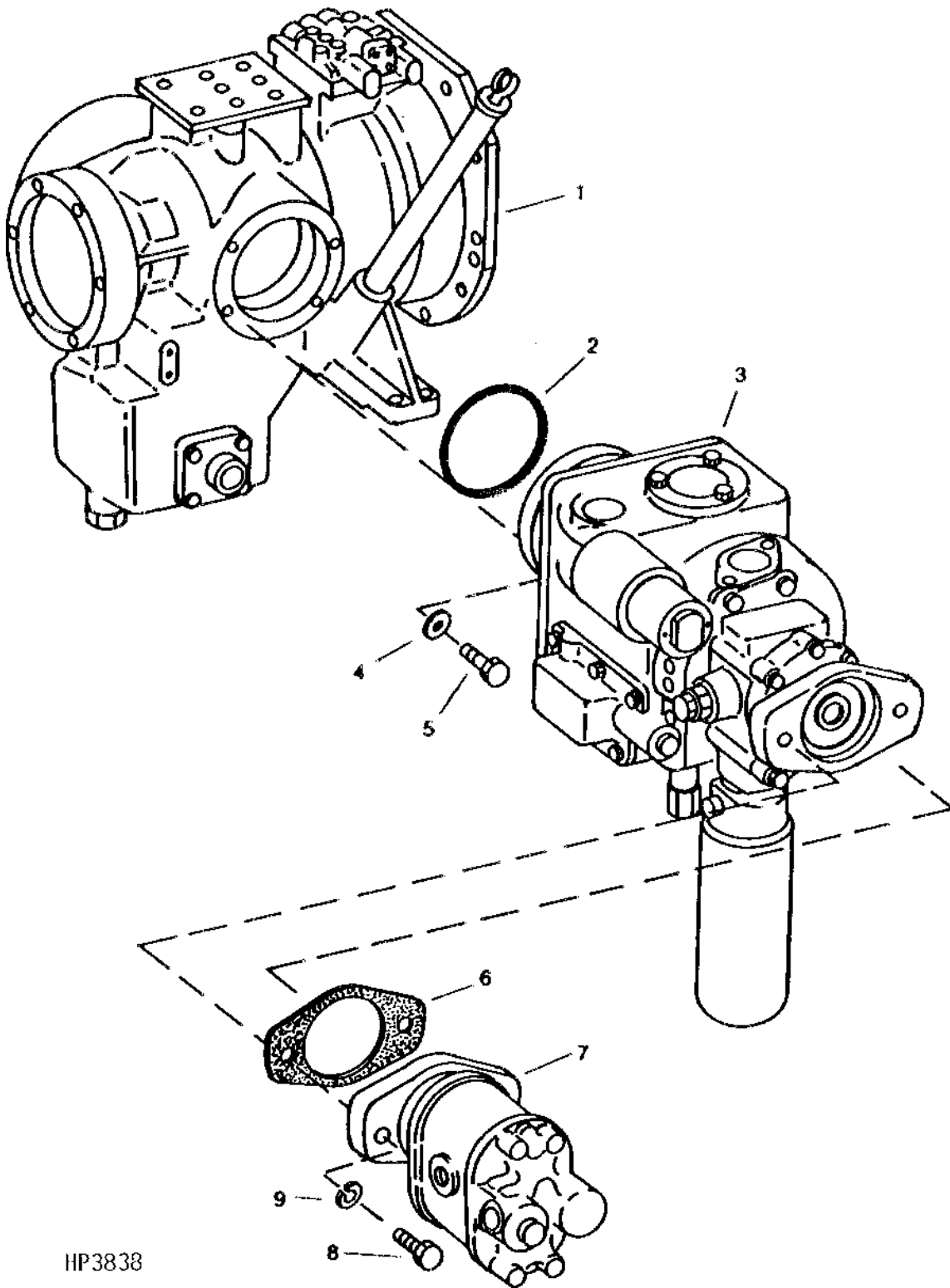
POWER TRAIN

HYDROSTATIC DRIVE MOTOR - CONTINUED

KEY	PART NO.	PART NAME	QTY	SERIAL NO.	S H 9 5 0 0	REMARKS
1	AH131310	MOTOR	1		X X	RING AND PINION
2	R63308	O-RING	1		X X	120.015 X 5.334 MM (4.725" X 0.210")
3	14M7299	FLANGE NUT	4		X X	M12

4H1

ENGINE GEARCASE - HYDROSTATIC DRIVE PUMP - MAIN HYDRAULIC PUMP CONNECTING HARDWARE
HP3838 -UN-01JAN94



HP3838

4H2

POWER TRAIN

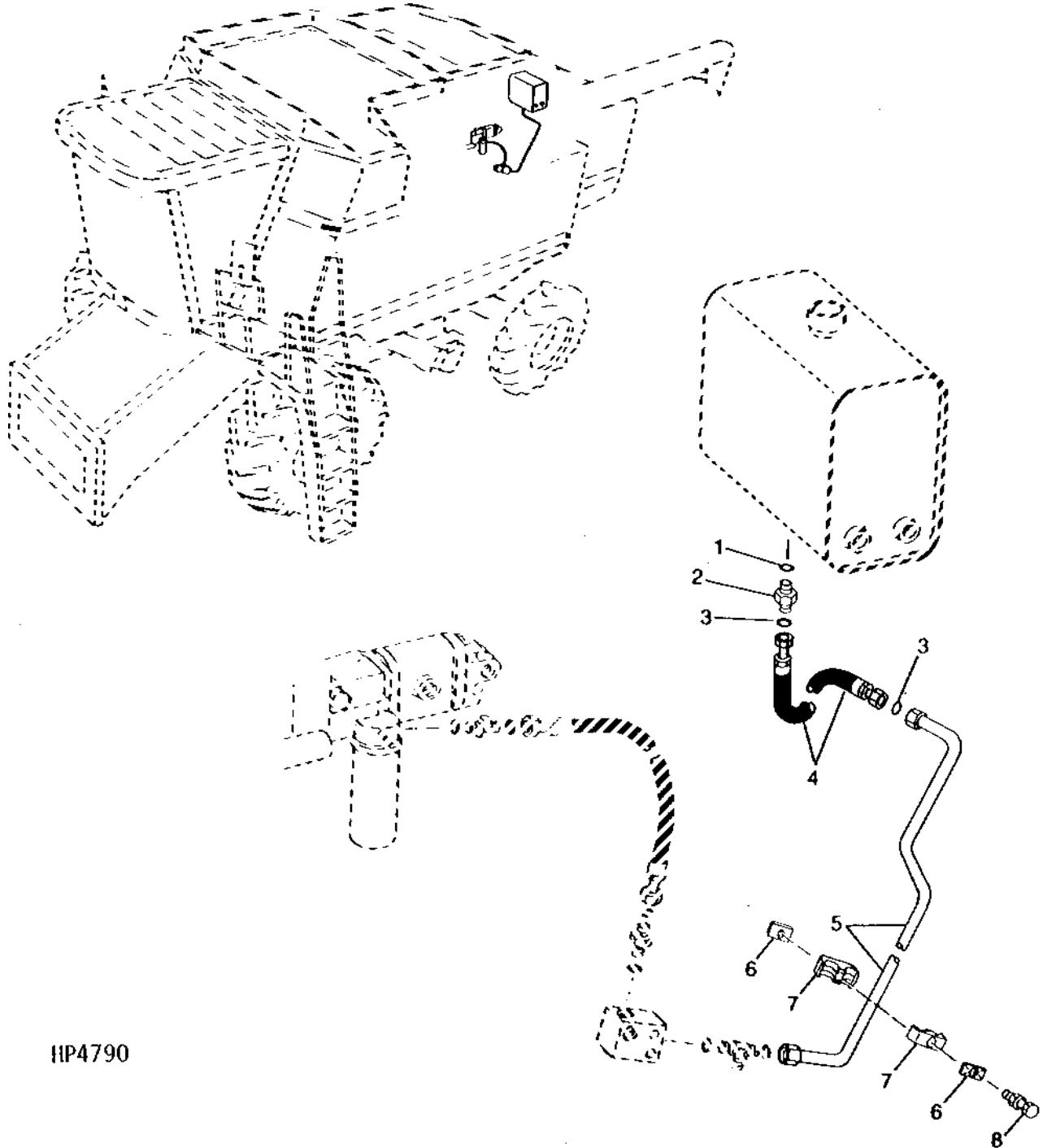
ENGINE GEARCASE - HYDROSTATIC DRIVE PUMP - MAIN HYDRAULIC PUMP CONNECTING HARDWARE-CONT.

KEY	PART NO.	PART NAME	QTY	SERIAL NO.	REMARKS
					S H 9 9 5 5 0 0 0 0
1	AH139321	GEAR CASE	1	X X	(SUB FOR AH134861) RING AND PINION
2	R63308	O-RING	1	X X	120.015 X 5.334 MM (4.725" X 0.210")
3	AH131305	PUMP	1	X X	(SUB AH160785 AND E65288) HYDROSTATIC DRIVE - REMANUFACTURED
4	AH160785	PUMP	1	X X	HYDROSTATIC DRIVE-REMANUFACTURED
	T29342	WASHER	1	X X	13.487 X 31.750 X 4.572 MM (17/32" X 1-1/4" X 0.180")
5	19M7493	CAP SCREW	1	X X	M12 X 40
6	H131121	GASKET	1	X X	(SHOWN) (USE WITH AH131305)
	E65288	O-RING	1	X X	(USE WITH AH160785)
7	AH131183	HYDRAULIC PUMP	1	X	RING AND PINION
	AH140091	HYDRAULIC PUMP	1	X	
8	19H1732	CAP SCREW	4	X X	3/8" X 1-1/4"
9	12H304	LOCK WASHER	4	X X	3/8"

4H3

RETURN LINE TO RESERVOIR - 4-WHEEL DRIVE

SIDEHILL (-651132)
HP4790 -UN-01JAN94



HP4790

4H4

POWER TRAIN

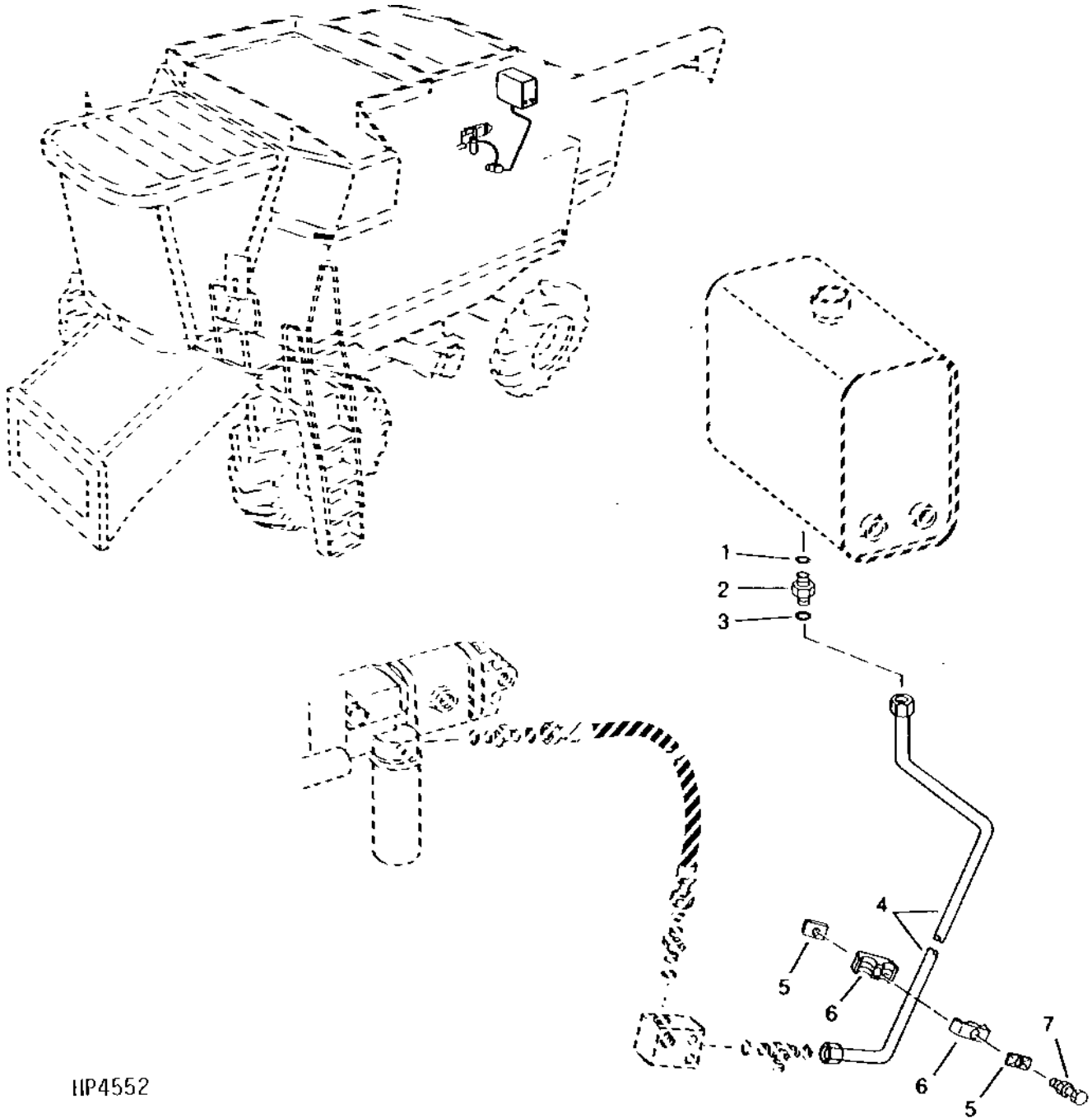
RETURN LINE TO RESERVOIR - 4-WHEEL DRIVE - CONTINUED
SIDEHILL (-651132)

KEY	PART NO.	PART NAME	QTY	SERIAL NO.	S H 9 5 0 0 0 0	REMARKS
1	R26448	O-RING	1		X	11.887 X 1.981 MM (0.468" X 5/64")
2	38H1026	TEE FITTING	1		X	
3	T77613	O-RING	2	-651132	X	9.246 X 1.778 MM (0.364" X 0.070")
4	AH137540	HYDRAULIC HOSE	1	-651132	X	11/16" X 415 MM (16-1/4" X 11/16"
5	AH137539	OIL LINE	1	-651132	X	
6	H112567	PLATE	2		X	
7	H114865	CLAMP	2		X	
8	19M7801	SCREW	1		X	M8 X 60
	14M7298	FLANGE NUT	1		X	M8

4H5

RETURN LINE TO RESERVOIR - 4-WHEEL DRIVE

(640201-)
(651133-) SIDEHILL
HP4552 -UN-01JAN94



HP4552

4H6

POWER TRAIN

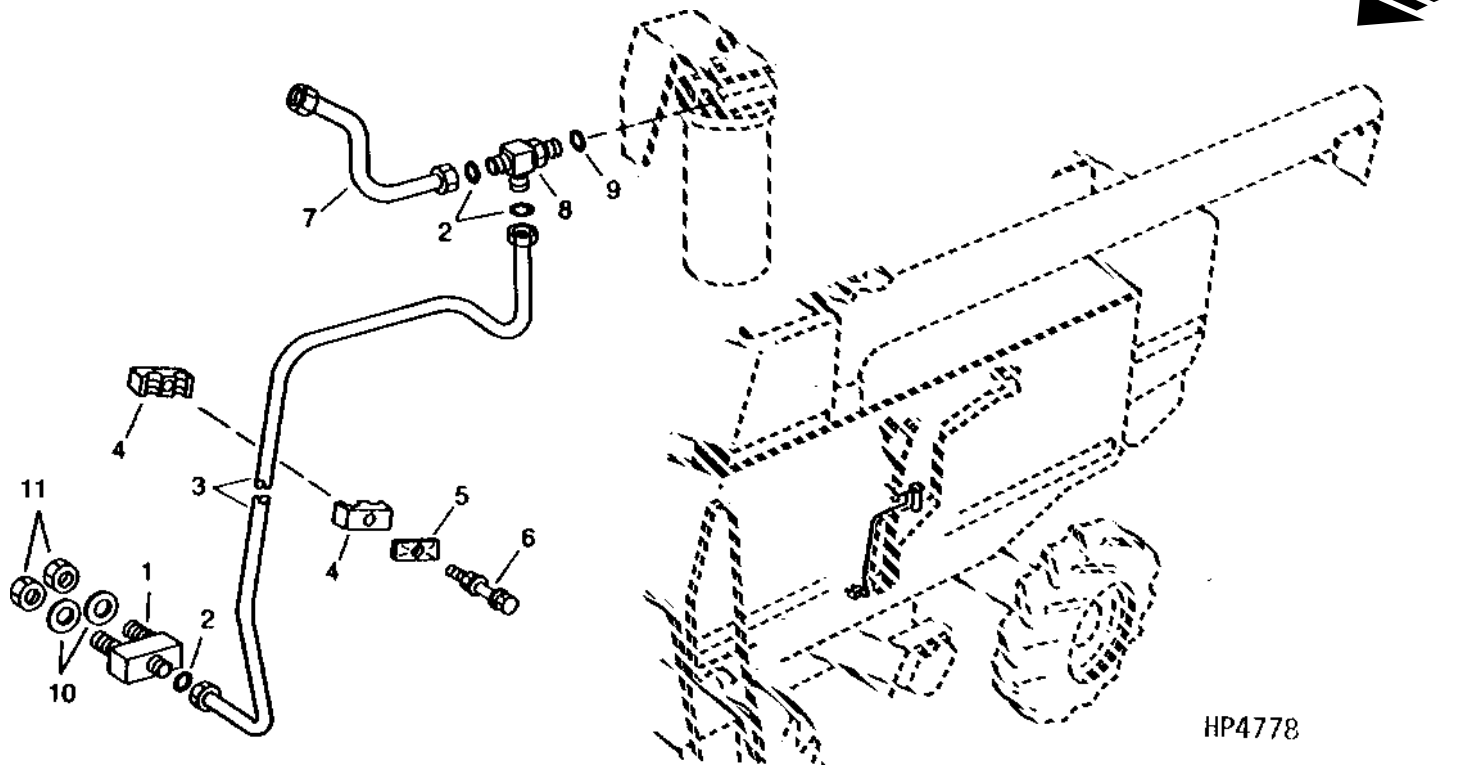
RETURN LINE TO RESERVOIR - 4-WHEEL DRIVE - CONTINUED

(640201-)
(651133-) SIDEHILL

KEY	PART NO.	PART NAME	QTY	SERIAL NO.	S H 9 5 0 0	REMARKS
1	R26448	O-RING	1		X X	11.887 X 1.981 MM (0.468" X 5/64")
2	38H1160	ADAPTER	1		X X	
3	T77613	O-RING	1		X X	9.246 X 1.778 MM (0.364" X 0.070")
4	AH130445	HYDRAULIC LINE	1		X X	
5	H112567	PLATE	2		X X	
6	H114865	CLAMP	2		X X	
7	19M7801	SCREW	1		X X	M8 X 60
	14M7298	FLANGE NUT	1		X X	M8

4-WHEEL DRIVE CASE DRAIN HYDRAULIC LINES

HP4778 -UN-01JAN94



S
H
9 9
5 5
0 0
0 0

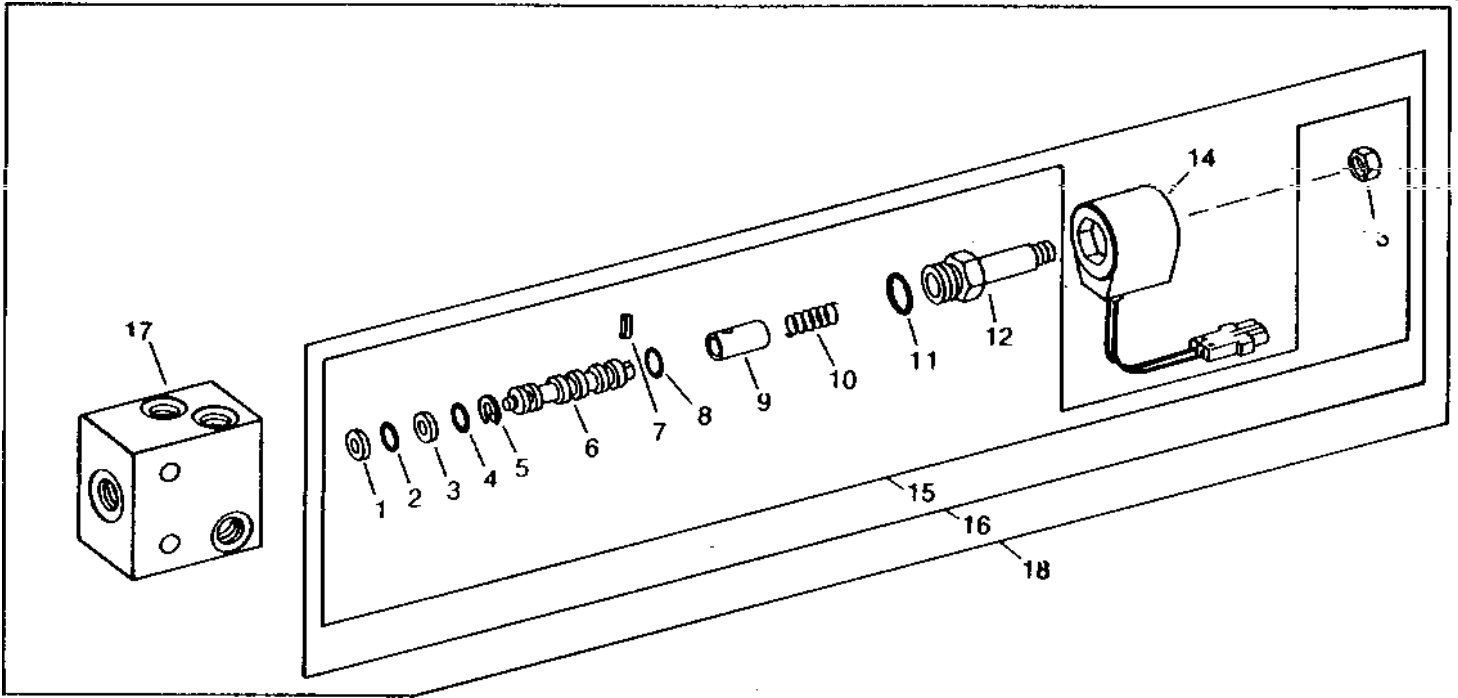
KEY	PART NO.	PART NAME	QTY	SERIAL NO.	REMARKS
1	AH128692	MANIFOLD	1	X X	(CASE DRAIN)
2	T77858	O-RING	3	X X	18.771 X 1.778 MM (0.739" X 0.070")
3	AH130449	HYDRAULIC LINE	1	X X	(CASE DRAIN RETURN)
4	H114865	CLAMP	2	X X	
5	H112567	PLATE	1	X X	
6	03M7245	BOLT	1	X X	M8 X 55
	14M7298	FLANGE NUT	1	X X	M8
7	AH126169	OIL LINE	1	X X	(RETURN) (FROM VALVE STACK TO HYD FILTER)
8	38H1438	TEE FITTING	1	X X	
9	R29936	O-RING	1	X X	29.743 X 2.946 MM (1.171" X 0.116")
10	28H1152	BUSHING	2	X X	1.278" X 1.660" X 3/8"
11	T78707	NUT	2	X X	30.175 MM (1-3/16")
..	BH71746	COMPLETE GOODS/SHIP. BUNDLE	1	X X	4-WHEEL DRIVE HYDRAULIC HOSE CONVERSION
..	BH71883	COMPLETE GOODS/SHIP. BUNDLE	1	X X	4-WHEEL DRIVE HYDRAULIC HOSE CONVERSION
..	BH79904	COMPLETE GOODS/SHIP. BUNDLE	1	X X	4-WHEEL DRIVE HYDRAULIC HOSE CONVERSION
..	BH80002	COMPLETE GOODS/SHIP. BUNDLE	1	X X	4-WHEEL DRIVE HYDRAULIC HOSE CONVERSION

5C4

PARKING BRAKE VALVE

(-640200)

HP2987 -UN-01JAN94

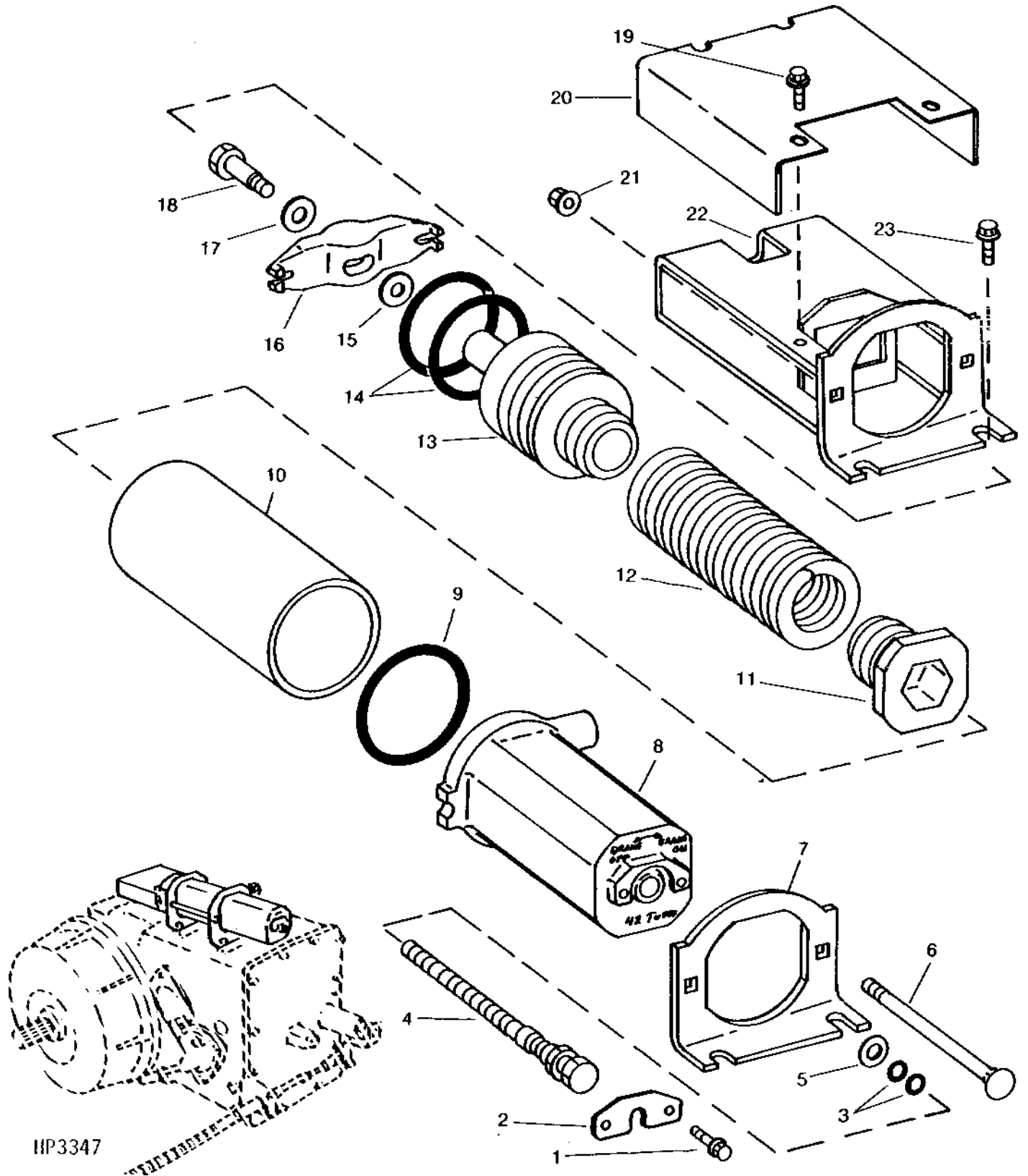


HP 2987

KEY	PART NO.	PART NAME	QTY	SERIAL NO.	S	H	REMARKS
					9	9	
					5	5	
					0	0	
					0	0	
1	R42926	BACK-UP RING	1		X		13.157 X 15.850 X 1.143 MM (0.518" X 0.624" X 0.045")
2	R45186	O-RING	1	-646130	X		12.421 X 1.778 MM (0.489" X 0.070") (SUB T77857)
3	T77857	O-RING	1		X		12.421 X 1.778 MM (0.489" X 0.070")
	R45187	BACK-UP RING	1		X		16.332 X 19.025 X 1.143 MM (0.643" X 0.749" X 0.045")
4	R45638	O-RING	1		X		15.596 X 1.778 MM (0.614" X 0.070")
5	R46701	SNAP RING	1		X		
6	VALVE SPOOL	1		X		(ORDER AH130949)
7	34H227	SPRING PIN	1		X		3/32" X 1/2"
8	N31772	O-RING	1		X		18.771 X 1.778 MM (0.739" X 0.070")
9	PLUNGER	1		X		(ORDER AH130949)
10	R64698	SPRING	1		X		
11	U12547	O-RING	1		X		23.470 X 2.946 MM (0.924" X 0.116")
12	GUIDE	1		X		(ORDER AH130949)
13	M63707	LOCK NUT	1		X		6.350 MM (1/4")
14	AH128654	ELECTRICAL COIL	1		X		
	R78053	PIN CONTACT CONNECTOR BODY	1		X		(PKG OF 3)
	R78059	ELECTRICAL PLUG	1		X		(PKG OF 40)
	R78061	PIN CONTACT	1		X		(PKG OF 40)
15	AH130949	SOLENOID VALVE	1		X		
16	AH128655	SOLENOID VALVE	1		X		
17	H133827	VALVE	1		X		
18	AH128990	VALVE	1		X		

5C5

PARK BRAKE ACTUATOR
(-640200)
HP3347 -UN-01JAN94



5C6

STEERING AND BRAKES

PARK BRAKE ACTUATOR - CONTINUED

(-640200)

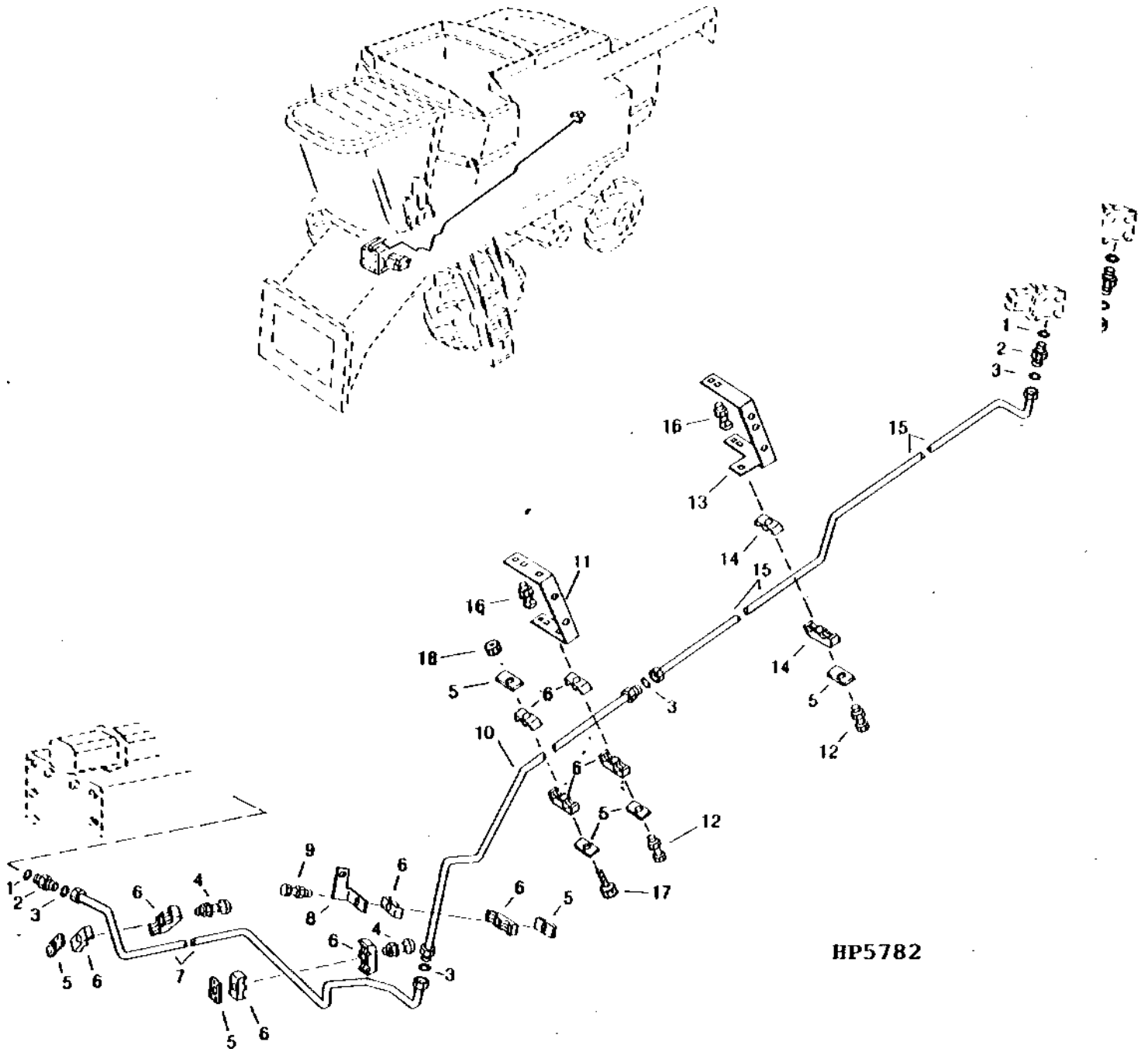
KEY	PART NO.	PART NAME	QTY	SERIAL NO.	S H 9 5 0 0 0	REMARKS
1	19M7861	SCREW	2	-632291	X	M6 X 10, (SUB 19M7865)
	19M7865	SCREW	2		X	M8 X 16
2	H140333	RETAINER	1	-632291	X	
	H140322	RETAINER	1	632292-	X	
3	A3917R	O-RING	2		X	9.246 X 1.778 MM (0.364" X 0.070")
4	H133743	CRANK	1	-632291	X	(SUB H140308) REQUIRES H140322, H140299 AND (2) 19M7865
	H140308	CRANK	1		X	
5	24M7240	WASHER	1		X	13 X 25 X 3 MM
6	03M7313	BOLT	2		X	M8 X 140, HARDENED
7	H133745	FLANGE	1		X	
8	H133738	HOUSING	1	-632291	X	(SUB H140299) REQUIRES H140322, H140308 AND (2) 19M7865
	H140299	HOUSING	1		X	
9	H80821	O-RING	1		X	75.921 X 1.778 MM (2.989" X 0.070")
10	H133742	BUSHING	1		X	
11	H133739	CAP	1		X	
12	H133747	EXTENSION SPRING	1		X	
13	H133740	PISTON	1		X	
14	U10063	O-RING	2		X	59.690 X 5.334 MM (2.350" X 0.210")
15	24M7238	WASHER	1		X	8.700 X 17 X 2 MM
16	H133741	BALANCER	1		X	
17	24M7239	WASHER	1		X	10.700 X 21 X 2.500 MM
18	H119007	SCREW	1		X	M8 X 49 SHOULDER
19	37M7083	SCREW	2		X	M8 X 12
20	H133748	SHIELD	1	-640200	X	
21	14M7298	FLANGE NUT	2		X	M8, FLANGE
22	AH128889	BRACKET	1		X	
23	19M7865	SCREW	4		X	M8 X 16

5C7

PARKING BRAKE LINES, LOWER

(-640200)

HP5782 -UN-01JAN94



HP5782

5C8

PARKING BRAKE LINES, LOWER - CONTINUED
(-640200)

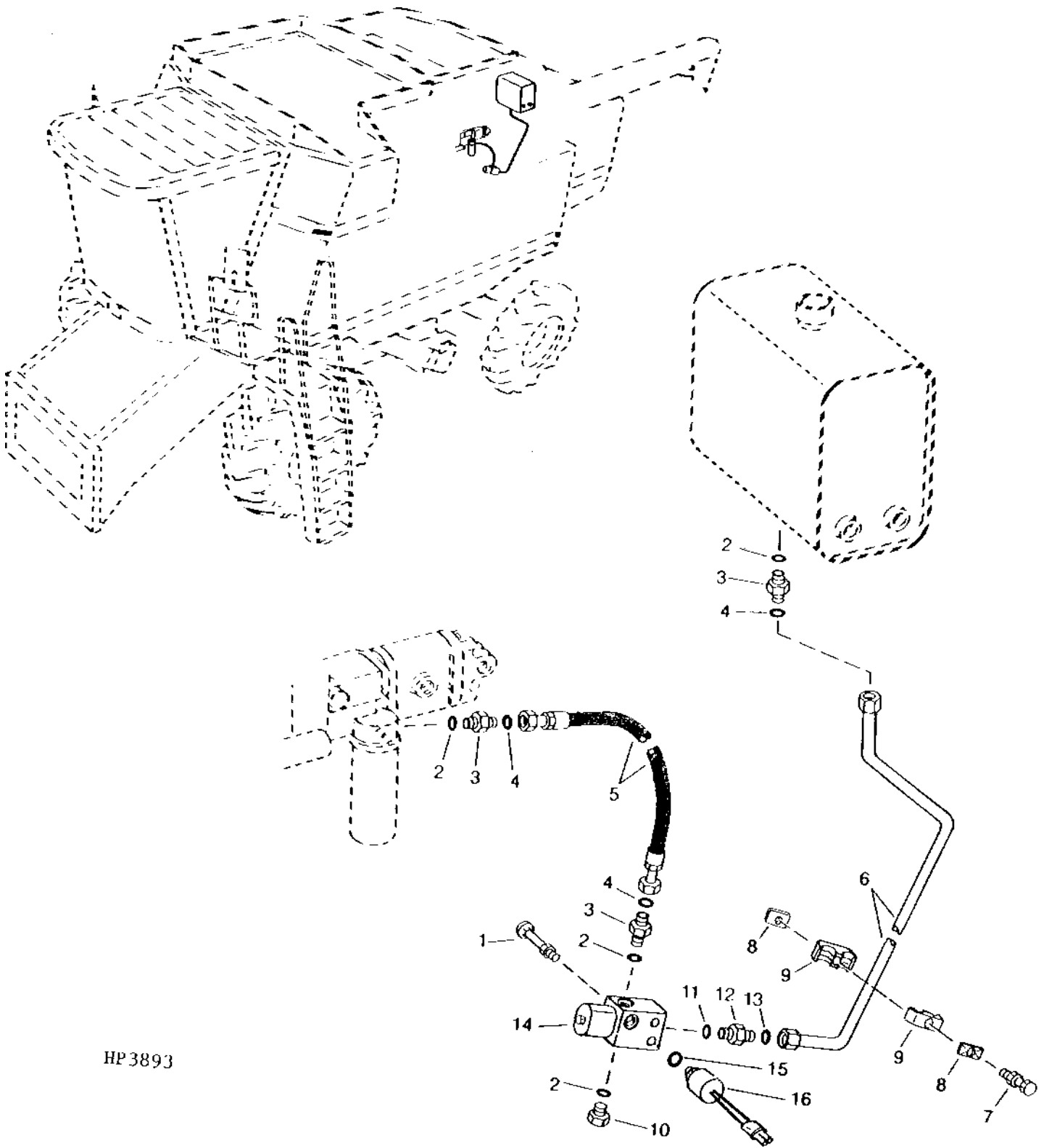
KEY	PART NO.	PART NAME	QTY	SERIAL NO.	S H 9 5 0 0 0 0	REMARKS
1	R26448	O-RING	2	X		11.887 X 1.981 MM (0.468" X 5/64")
2	38H1160	ADAPTER	2	X		
3	T77613	O-RING	4	X		9.246 X 1.778 MM (0.364" X 0.070")
4	03M7262	BOLT	2	X		M6 X 50 (RD. HEAD)
	14M7303	FLANGE NUT	2	X		M6
5	H121168	PLATE	6	X		
6	H135156	CLAMP	9	X		(SUB FOR H108291)
7	AH131578	OIL LINE	1	X		(SINGLE REDUCTION FINAL DRIVE ONLY)
8	H135974	BRACKET	1	X		
9	19M8317	SCREW	1	X		M8 X 40
	14M7298	FLANGE NUT	1	X		M8
10	AH131575	HYDRAULIC LINE	1	X		
11	H131115	BRACKET	1	X		
12	19M8318	SCREW	2	X		M8 X 45
	14M7298	FLANGE NUT	2	X		M8
13	H133659	BRACKET	1	X		
14	H109046	CLAMP	2	X		
15	AH131299	OIL LINE	1	X		
16	19M7866	SCREW	8	X		M8 X 20 (RD. HEAD)
	14M7396	LOCK NUT	8	X		M8
17	19M8319	SCREW	1	X		M8 X 50
18	14M7298	FLANGE NUT	1	X		M8

5C9

PARKING BRAKE LINES AND HOSES, UPPER

(-640200)

HP3893 -UN-01JAN94



HP3893

5C10

STEERING AND BRAKES

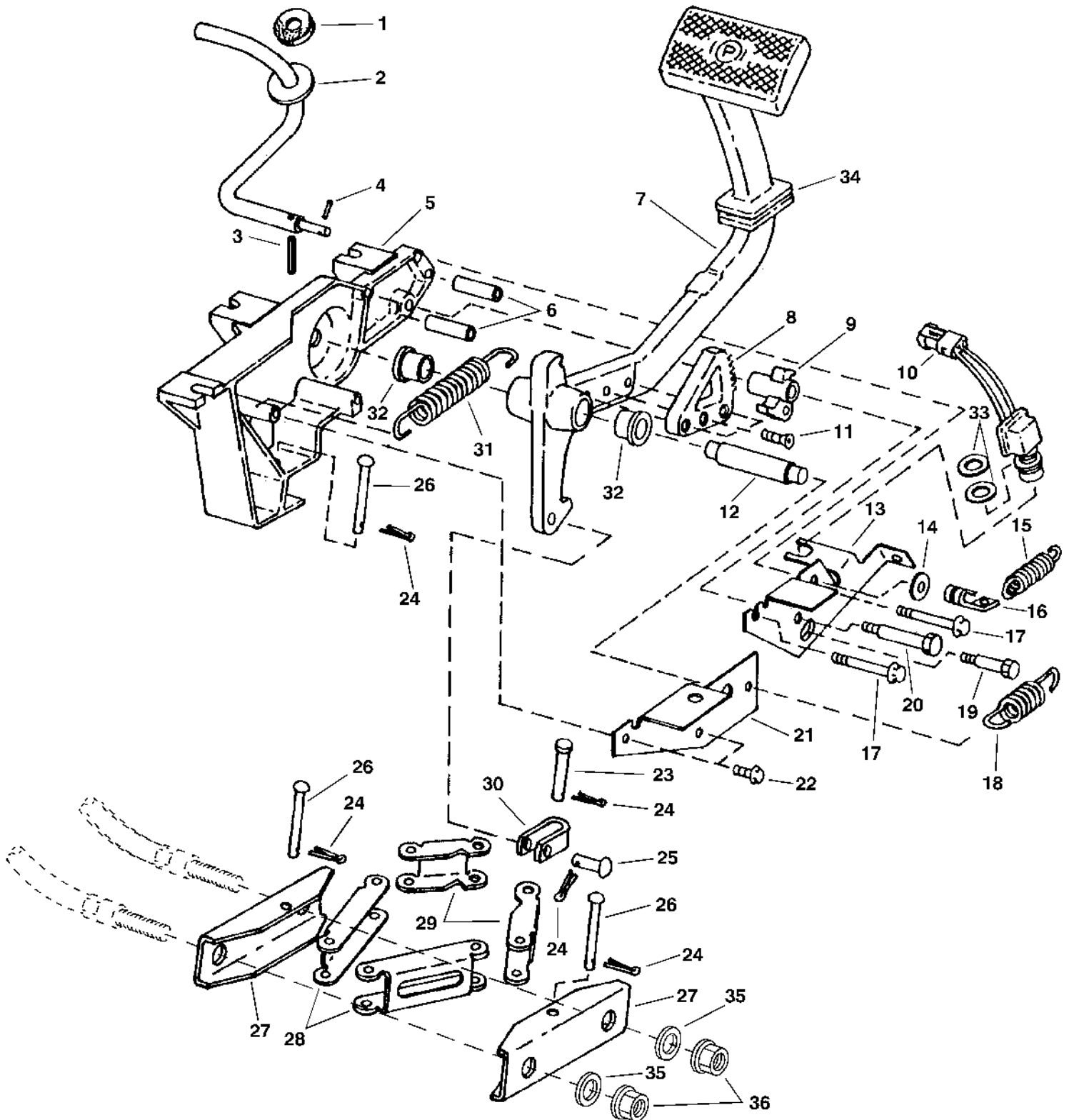
PARKING BRAKE LINES AND HOSES, UPPER - CONTINUED
 (-640200)

KEY	PART NO.	PART NAME	QTY	SERIAL NO.	S H 9 5 0 0 0 0	REMARKS
1	03M7223	BOLT	2	X		M8 X 60 (RD. HEAD)
	14M7298	FLANGE NUT	2	X		M8
2	R26448	O-RING	4	X		11.887 X 1.981 MM (0.468" X 5/64")
3	38H1160	ADAPTER	3	X		
4	T77613	O-RING	3	X		9.246 X 1.778 MM (0.364" X 0.070")
5	AH128894	HYDRAULIC HOSE	1	X		11/16" X 505 MM (20") X 11/16" (PRESSURE)
6	AH130445	HYDRAULIC LINE	1	X		(RETURN)
7	19M7801	SCREW	1	X		M8 X 60
	14M7298	FLANGE NUT	1	X		M8
8	H112567	PLATE	2	X		
9	H114865	CLAMP	2	X		
10	R27218	FITTING PLUG	1	X		
11	R26375	O-RING	1	X		16.358 X 2.210 MM (0.644" X 0.087")
12	38H1213	ADAPTER	1	X		
	R39112	FITTING	1	X		TO PLUG FITTING WHEN 4-WHEEL DRIVE NOT USED
13	T77857	O-RING	1	X		12.421 X 1.778 MM (0.489" X 0.070")
14	AH128990	VALVE	1	X		(PARK BRAKE)
15	R26448	O-RING	1	X		
16	AH128929	SWITCH	1	X		

5C11

PARKING BRAKE PEDAL AND FRAME

HP6710 -UN-14MAY97



HP6710

5C12

STEERING AND BRAKES

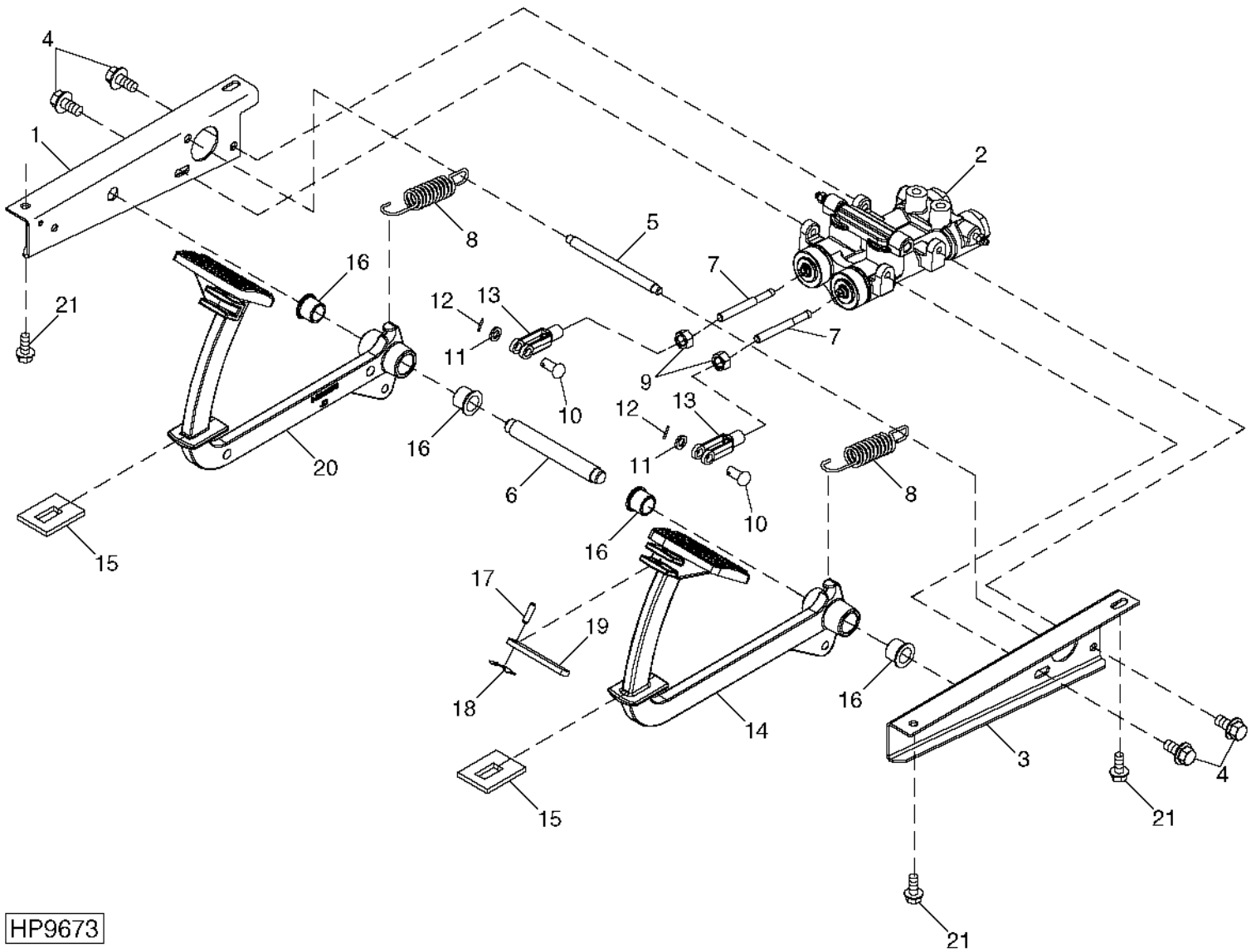
PARKING BRAKE PEDAL AND FRAME - CONTINUED

KEY	PART NO.	PART NAME	QTY	SERIAL NO.	S H 9 5 0 0	REMARKS
1	H145847	ISOLATOR	1		X X	
2	AH146492	ARM	1		X X	(SUB FOR AH135695)
3	34M7124	SPRING PIN	1		X X	8 X 30 MM
4	34M7116	SPRING PIN	1		X X	3 X 24 MM
5	H140595	FRAME	1		X X	
6	28H1633	BUSHING	2		X X	9.246 X 13.716 X 39.675 MM (0.364" X 0.540" X 1-9/16")
7	H140620	PEDAL	1		X X	
8	H140746	RATCHET	1		X X	
9	H140747	PAWL	1		X X	
10	AH123025	SWITCH	1	-645941	X	(SUB AH140605)
	AH140605	SWITCH	1		X X	
11	H140692	SCREW	1		X X	M8 X 30
12	H140708	PIN	1		X X	20 X 92 MM (0.787" X 3.622")
13	H141246	PLATE	1	-642683	X	(SUB H146327)
	H146327	PLATE	1		X X	
14	H110232	WASHER	1		X X	10.310 X 22.600 X 1.500 MM (0.406" X 0.890" X 0.059")
15	R60730	SPRING	1		X X	
16	H141069	HOOK	1		X X	
17	19M7801	SCREW	2		X X	M8 X 60
18	H124258	SPRING	1		X X	
19	H140715	BOLT	1		X X	M8 X 40
20	H140712	BOLT	1		X X	M10 X 67
21	H140691	PLATE	1		X X	
22	19M7867	SCREW	1		X X	M8 X 25
23	M43649	PIN	1	-647297	X X	9.525 X 48.260 MM (3/8" X 1.900")
	P47140	PIN	1	647298-	X X	9.525 X 44.450 MM (3/8" X 1-3/4")
24	11M7081	COTTER PIN	4		X X	2.500 X 20 MM
25	RV702A	PIN	5		X X	
26	H109716	PIN	3		X X	8 X 69.850 MM (0.315" X 2-3/4")
27	H140694	BALANCER	2		X X	
28	H140695	LINK	2		X X	
29	H140696	LINK	2		X X	
30	H140713	CLEVIS	1		X X	
31	H104075	SPRING	1		X X	
32	H105005	BUSHING	2		X X	
33	24H1375	WASHER	2		X X	
34	H141422	SEAL	1		X X	
35	24M7207	WASHER	2		X X	8.400 X 24 X 2 MM
36	E64256	LOCK NUT	2		X X	M8

5C13

BRAKE PEDALS AND MASTER CYLINDERS

HP9673 -UN-03APR00



HP9673

5C14

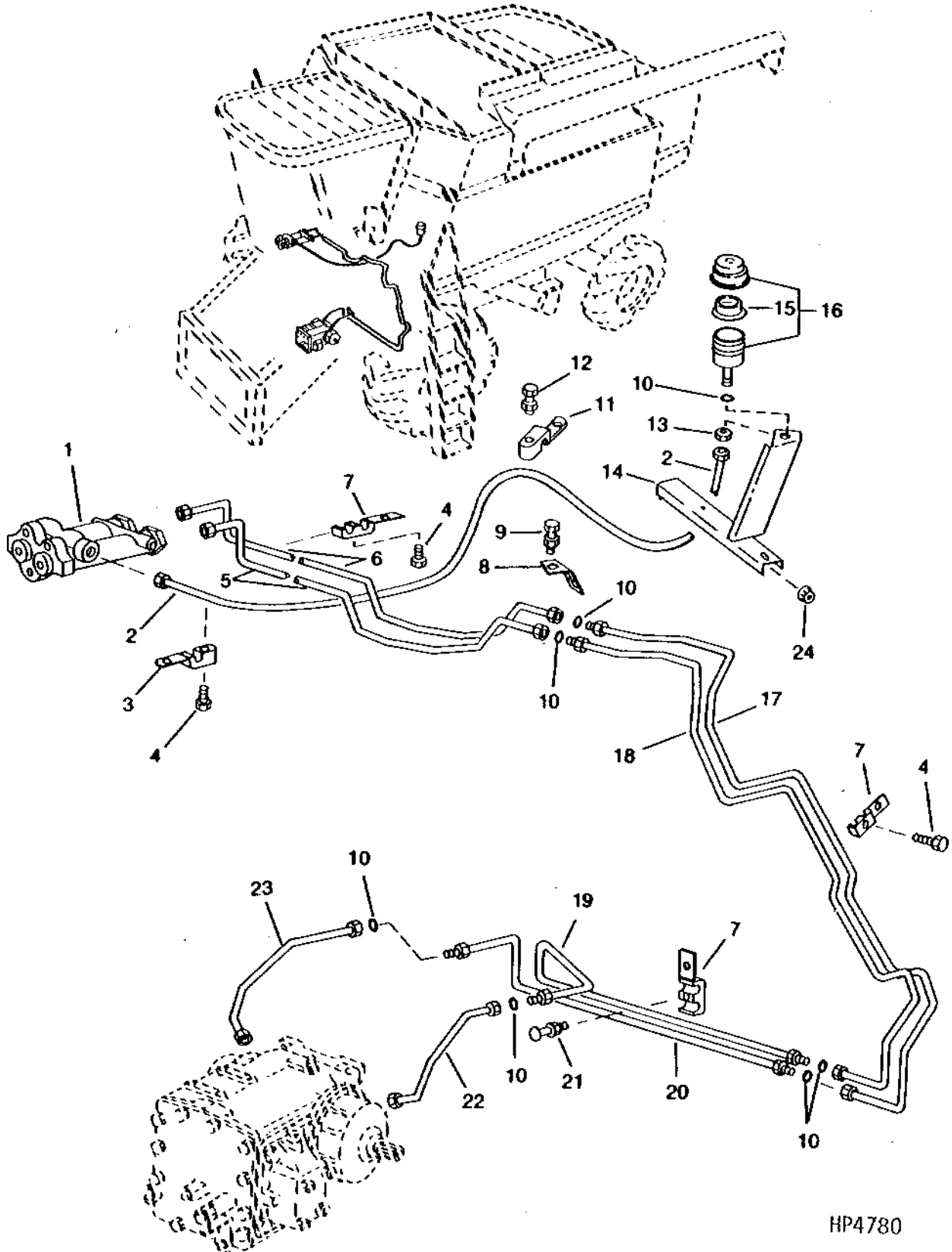
STEERING AND BRAKES

BRAKE PEDALS AND MASTER CYLINDERS - CONTINUED

KEY	PART NO.	PART NAME	QTY	SERIAL NO.	REMARKS
					S
					H
					9 9
					5 5
					0 0
					0 0
1	H156514	SUPPORT	1	X X	(SUB FOR H130191)
2	AH160136	CYLINDER	1	X X	(SUB FOR AH120637, AH136301, AH143737)
3	H156513	SUPPORT	1	X X	(SUB FOR H130190) L.H.
4	19M7784	SCREW	4	X X	M10 X 20
5	H120389	PIN	1	X X	
6	H120388	PIN	1	X X	
7	H124259	STUD	2	X X	
8	H124258	SPRING	2	X X	
9	14M7274	NUT	2	X X	M10
10	45M7118	PIN	2	X X	(SUB FOR H114331)
11	24M7028	WASHER	2	X X	
12	11M7059	COTTER PIN	2	X X	
13	H114330	YOKE	2	X X	
14	H172924	PEDAL	1	X X	(SUB FOR H144270, H152166 OR H124254) L.H.
15	H111234	SEAL	2	X X	
16	H105005	BUSHING	4	X X	
17	34H312	SPRING PIN	1	X X	1/4" X 1", (SUB FOR 34H101)
18	H95902	SPRING	1	X X	
19	H99264	STRAP	1	X X	
20	H172923	PEDAL	1	X X	(SUB FOR H144269, H152165, H124255) R.H.
21	19M7866	SCREW	4	X X	M8 X 20

5C15

BRAKE LINES, MASTER CYLINDER AND RESERVOIR
HP4780 -UN-01JAN94



5C16

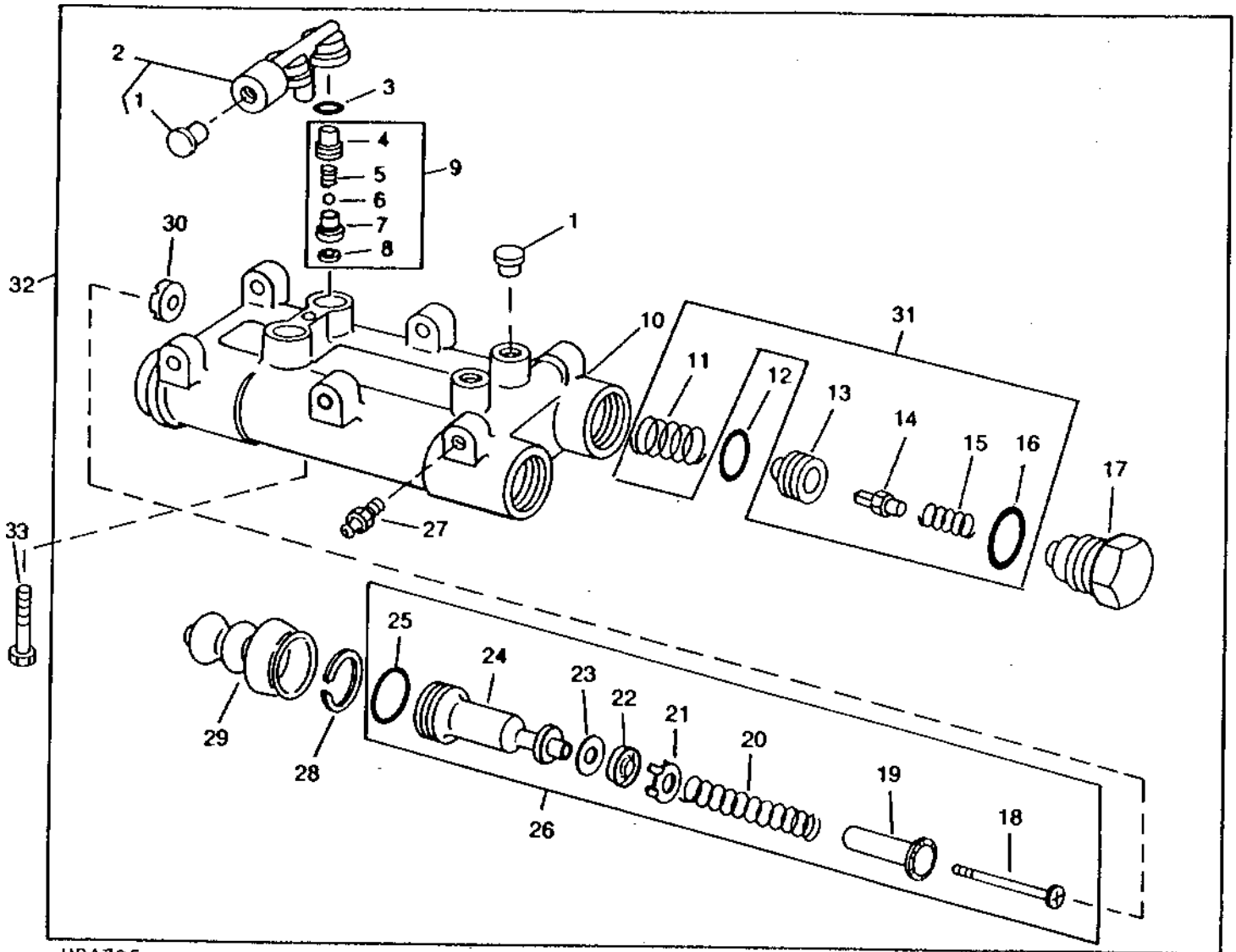
STEERING AND BRAKES

BRAKE LINES, MASTER CYLINDER AND RESERVOIR - CONTINUED

KEY	PART NO.	PART NAME	QTY	SERIAL NO.	S H 9 5 0 0	REMARKS
1	AH160136	CYLINDER	1		X X	(SUB FOR AH120637, AH136301, AH143737)
2	AH130469	OIL LINE	1	-650200	X X	
	AH141794	OIL LINE	1	650201-	X X	
3	H112911	CLAMP	3		X X	
4	37M7131	SCREW	9		X X	M6 X 20
5	AH130416	OIL LINE	1	-650200	X X	L.H.
	AH141686	OIL LINE	1	650201-	X X	
6	AH130417	OIL LINE	1	-650200	X X	R.H.
	AH141687	OIL LINE	1	650201-	X X	
7	H112910	CLAMP	9		X X	
8	H134343	BRACKET	1		X X	
9	19M7775	SCREW	3		X X	M6 X 16
	14M7303	FLANGE NUT	3		X X	M6
10	H127752	O-RING	7		X X	7.645 X 1.778 MM (0.301" X 0.070")
11	H112911	CLAMP	1		X X	
12	19M7775	SCREW	3		X X	M6 X 16
	14M7303	FLANGE NUT	3		X X	M6
13	14H832	NUT	1		X X	9/16"
14	H131703	SUPPORT	1		X	
	AH136362	SUPPORT	1		X X	
15	H109254	DIAPHRAGM	1		X X	
16	AH130605	RESERVOIR	1		X X	
17	AH130612	OIL LINE	1		X X	R.H.
18	AH130613	OIL LINE	1		X X	L.H.
19	AH130412	OIL LINE	1		X	L.H.
	AH135783	OIL LINE	1		X	
20	AH130413	OIL LINE	1		X	R.H.
	AH135784	OIL LINE	1		X	
21	03M7290	BOLT	3		X X	M6 X 30
	14M7303	FLANGE NUT	3		X X	M6
22	AH128842	OIL LINE	1		X X	
23	AH128843	OIL LINE	1		X X	
24	14M7296	FLANGE NUT	2		X X	M10

5C17

BRAKE MASTER CYLINDER
HP4735 -UN-01JAN94



HP4735

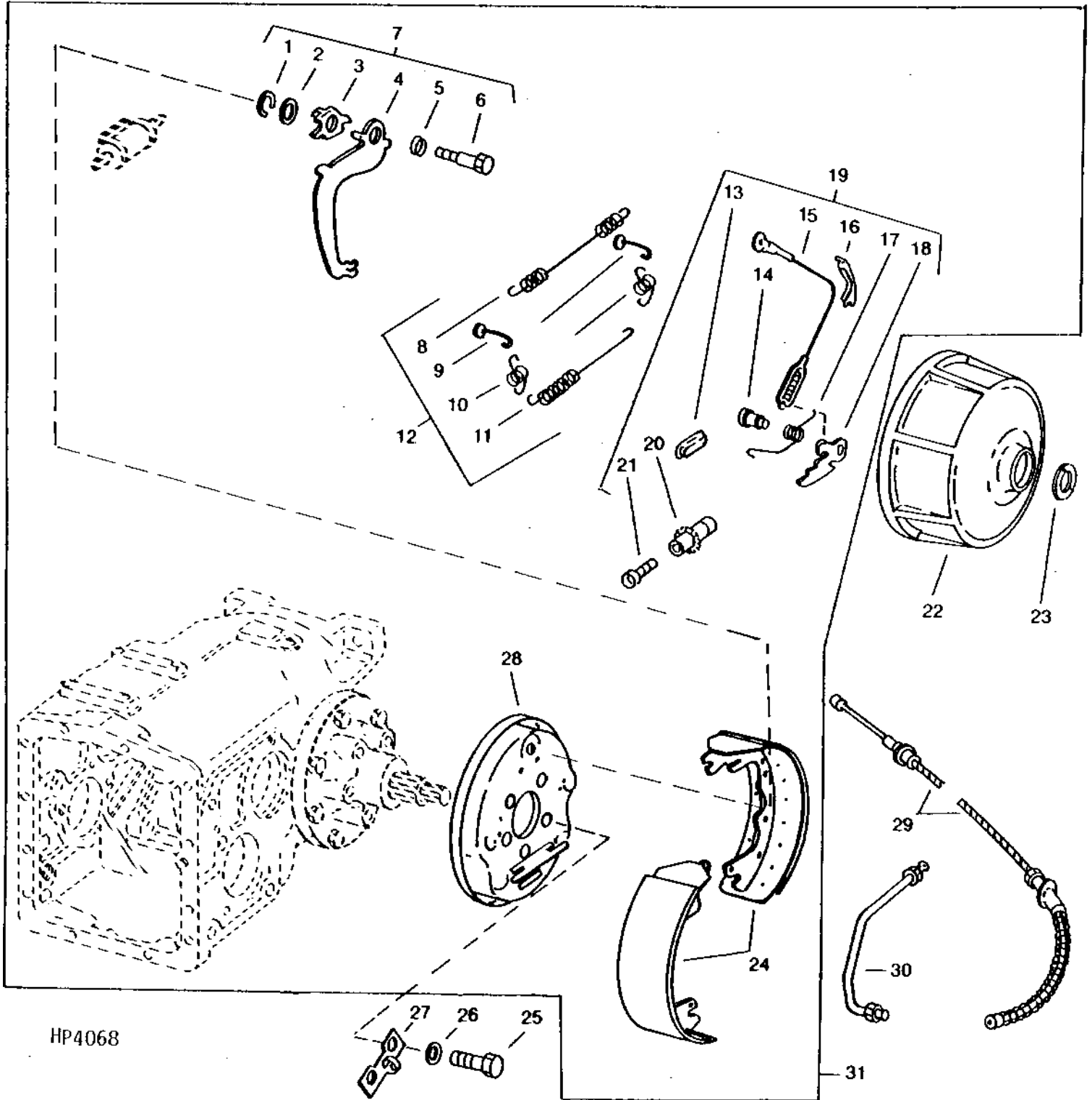
5C18

BRAKE MASTER CYLINDER - CONTINUED

KEY	PART NO.	PART NAME	QTY	SERIAL NO.	S H 9 5 0 0	REMARKS
1	SEAT	3		X X	
2	AH133127 AH136305	CONNECTOR DEVICE	1	-635572	X	(SUB AH136305)
3	O-RING	2		X X	(ORDER AH133128)
4	VALVE	2		X X	(ORDER AH133126)
5	SPRING	2		X X	(SUB AH133126)
6	BALL	2		X X	(ORDER AH133126)
7	VALVE SEAT	2		X X	(ORDER AH133126)
8	SEAL	2		X X	(ORDER AH133126)
9	AH133126	VALVE	2		X X	
10	HOUSING	1		X X	
11	SPRING	2	-635572	X	(A)
	H141869	SPRING	2		X X	
12	O-RING	2		X X	(ORDER AH133128)
13	BEARING	2		X X	(A)
14	POPPET	2		X X	(A)
15	SPRING	2		X X	(A)
16	O-RING	2		X X	(A)
17	H81467	FITTING PLUG	2		X X	
18	SCREW	2		X X	(ORDER AH136304)
19	RETAINER	2		X X	(ORDER AH136304)
20	SPRING	2		X X	(ORDER AH136304)
21	RETAINER	2		X X	(ORDER AH136304)
22	OIL CUP	2		X X	(ORDER AH136304)
23	RETAINER	2		X X	(ORDER AH136304)
24	PISTON	2		X X	(ORDER AH136304)
25	O-RING	2		X X	(ORDER AH136304)
26	AH133125 AH136304	PISTON PISTON	2	-635572	X	(SUB AH136304)
27	R21612	BLEED SCREW	1		X X	
28	SNAP RING	2		X X	(ORDER AH133128)
29	BOOT	2		X X	(ORDER AH133128)
30	H81461	RETAINER	2		X X	
31	AH161485	KIT	1		X X	(SUB FOR AH138702) (INCLUDES PARTS MARKED (A))
32	AH160136	CYLINDER	1		X X	(SUB FOR AH120637, AH136301, AH143737)
33	BOLT	1		X X	(ORDER AH133128)
..	AH133128	KIT	1		X X	

5C19

BRAKE SHOES AND DRUM
(L.H. ILLUSTRATED)
HP4068 -UN-01JAN94



HP4068

5C20

STEERING AND BRAKES

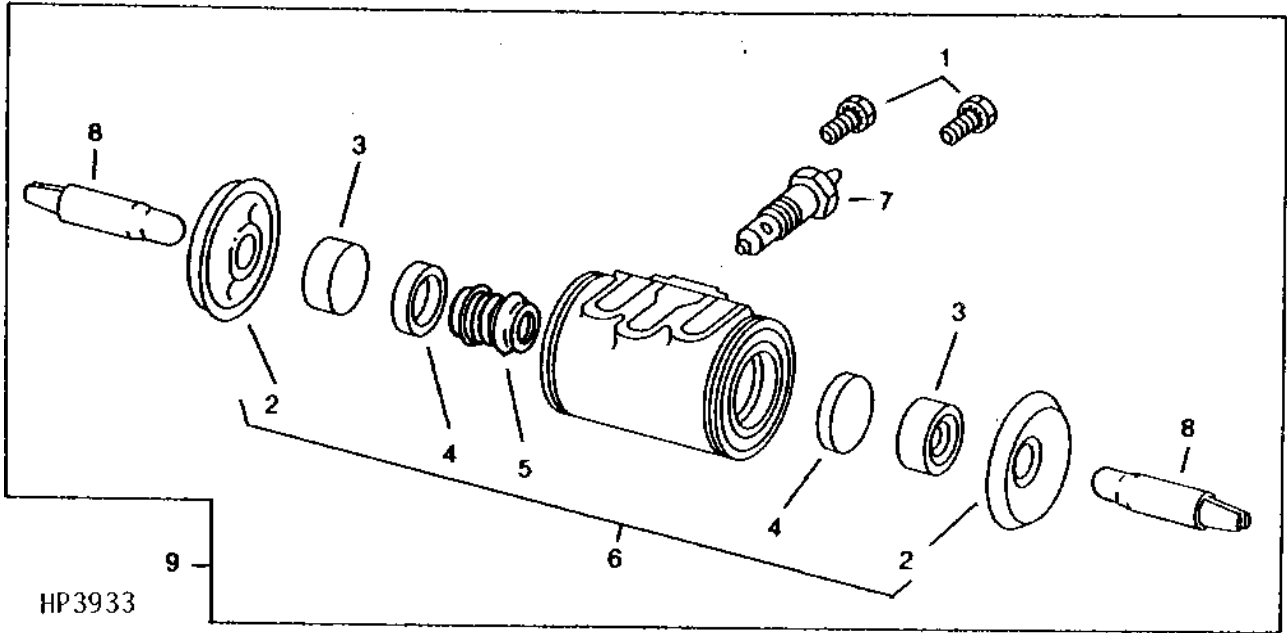
BRAKE SHOES AND DRUM - CONTINUED (L.H. ILLUSTRATED)

KEY	PART NO.	PART NAME	QTY	SERIAL NO.	S H 9 5 0 0 0 0	REMARKS
1	SNAP RING	1		X X	
2	WASHER	1		X X	
3	CAM	1		X X	
4	LEVER	1		X X	
5	SPRING	1		X X	
6	BOLT	1		X X	(ANCHOR PIN)
7	AH131058	KIT	1		X X	R.H.
	AH131059	KIT	1		X X	L.H.
8	SPRING	1		X X	(UPPER SHOE-TO-SHOE)
9	H140315	LINK	2		X X	
10	SPRING	2		X X	(LOWER SHOE-TO-SHOE)
11	SPRING	2		X X	(HOLD DOWN)
12	AH131051	KIT	1		X X	
13	COVER	1		X X	(RUBBER)
14	PIN	1		X X	
15	CABLE	1		X X	
16	GUIDE	1		X X	
17	SPRING	1		X X	
18	PAWL	1		X X	(ADJUSTER)
19	AH131054	KIT	1		X X	R.H.
	AH131055	KIT	1		X X	L.H.
20	WHEEL	1		X X	
21	SCREW	1		X X	
22	CE18206	BRAKE DRUM	2		X X	(SUB FOR H136018)
23	B32564	RING	2		X X	
24	AH132840	BRAKE SHOE	1		X X	R.H. AND L.H. (SET OF 4)
25	19M7597	CAP SCREW	5		X X	M20 X 50
26	N12679	WASHER	5		X X	20.625 X 38.100 X 3.404 MM (13/16" X 1-1/2" X 0.134")
27	H133351	GUIDE	2		X X	
28	AH131062	KIT	1		X X	
29	AH128723	BRAKE	1	-640200	X	
	AH139284	CABLE	1	640201-645200	X X	(SUB AH141582)
	AH141582	CABLE	1		X X	
30	AH128842	OIL LINE	1		X X	L.H.
	AH128843	OIL LINE	1		X X	R.H.
	AH128840	OIL LINE	1		X X	L.H. (PLANETARY FINAL DRIVE)
	AH128841	OIL LINE	1		X X	R.H. (PLANETARY FINAL DRIVE)
31	AH134304	BRAKE	1		X X	R.H.
	AH134305	BRAKE	1		X X	L.H.

NOTE: QUANTITIES SHOWN ARE FOR ONE UNIT. TWO UNITS USED PER MACHINE.

5C21

BRAKE SLAVE CYLINDER
HP3933 -UN-01JAN94

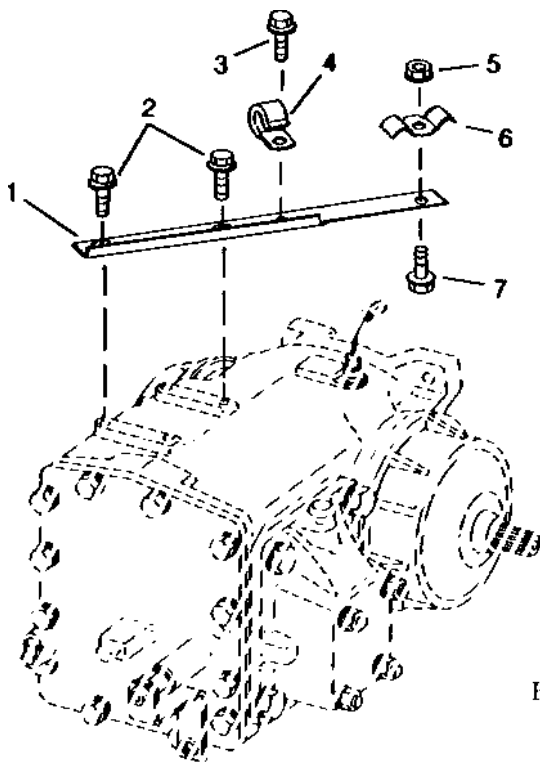


KEY	PART NO.	PART NAME	QTY	SERIAL NO.	S H 9 9 5 5 0 0 0 0	REMARKS
1	AW12765	SCREW	2		X X	(SUB 12M7032 AND 19H2020) (WITH LOCK WASHER)
	12M7032	LOCK WASHER	2		X X	8.400 MM
	19H2020	CAP SCREW	2		X X	5/16" X 1/2"
2	BOOT	2		X X	(ORDER AH131045)
3	PISTON	2		X X	(ORDER AH131045)
4	SEAL	2		X X	(ORDER AH131045)
5	SPRING	1		X X	(ORDER AH131045)
6	AH131045	HYDRAULIC CYLINDER KIT	1		X X	
7	W15277	BLEED SCREW	1		X X	
8	H140135	LINK	2		X X	
9	AH131048	KIT	1		X X	R.H.
	AH131049	HYDRAULIC CYLINDER KIT	1		X X	L.H.

5C22

BRAKE CABLE SUPPORT BRACKET

(645231-)
 HP5535 -UN-01JAN94



HP5535

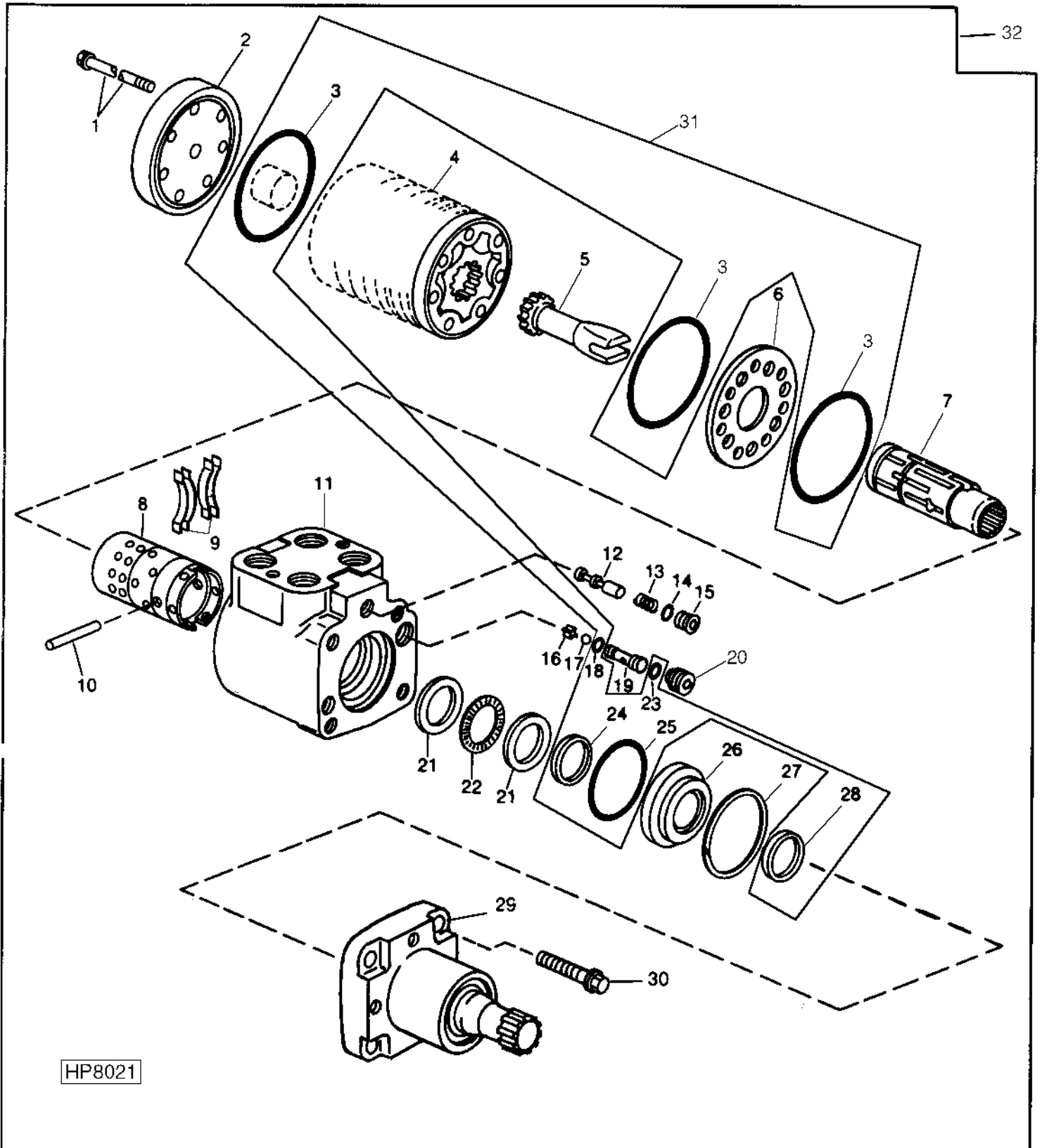
S
 H
 9 9
 5 5
 0 0
 0 0

KEY	PART NO.	PART NAME	QTY	SERIAL NO.	REMARKS
1	H139656	SUPPORT	1	-645231	X X (SUB H147004)
	H147004	SUPPORT	1		X X
2	19M7865	SCREW	2		X X M8 X 16
3	37M7083	SCREW	1		X X M8 X 12
4	AH89557	CLIP	1		X X
5	14M7298	FLANGE NUT	1		X X M8
6	R42009	CLAMP	1		X X
7	19M7824	SCREW	1		X X M16 X 60

5C23

STEERING PUMP

HP8021 -UN-30NOV98



HP8021

5C24

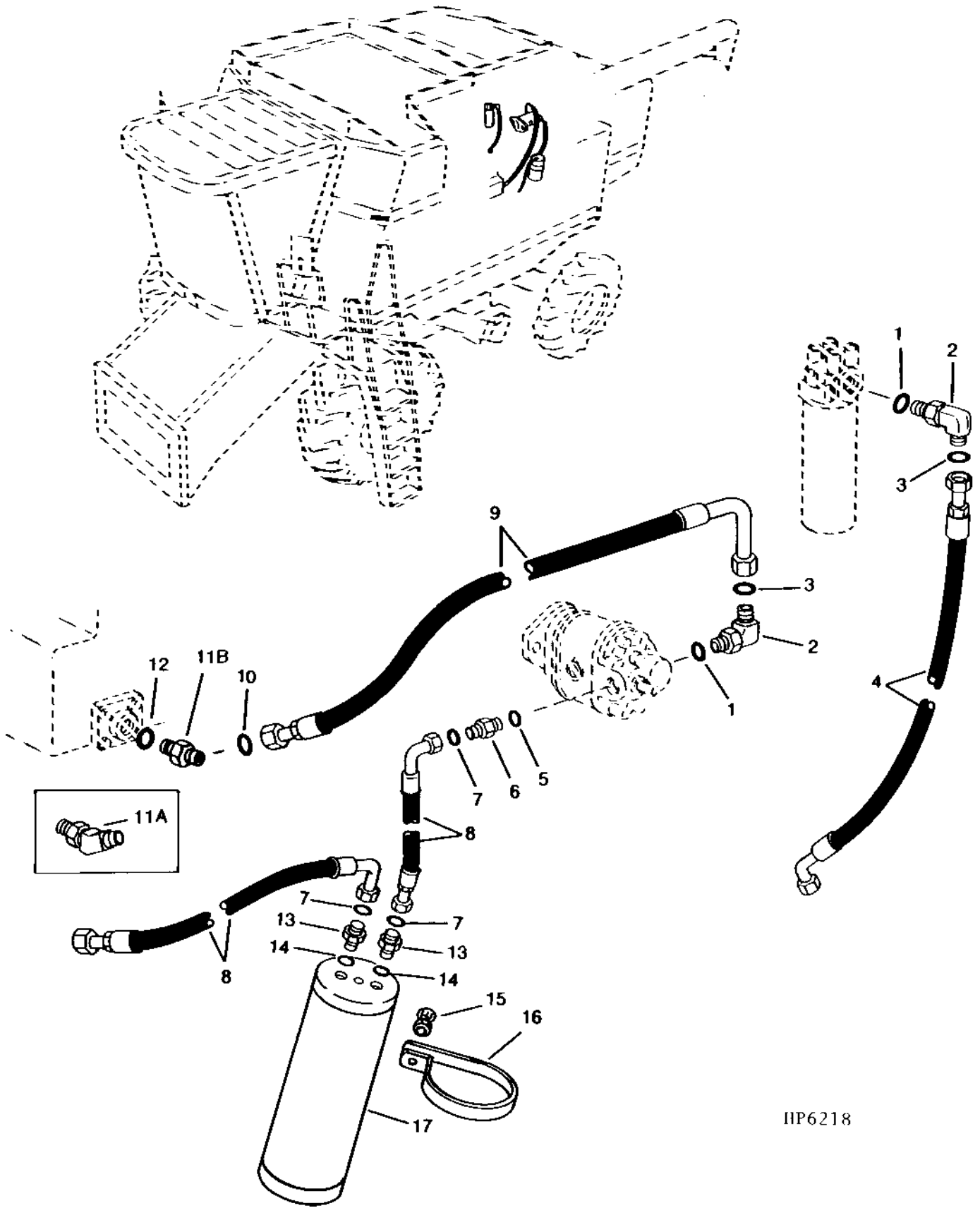
STEERING PUMP - CONTINUED

KEY	PART NO.	PART NAME	QTY	SERIAL NO.	S H 9 5 0 0	REMARKS
1	SCREW	7		X X	
2	CAP	1		X X	
3	SEAL	3		X X	(A)
4	ROTATOR	1		X X	
5	DRIVE	1		X X	
6	SPACER	1		X X	
7	SPOOL	1		X X	
8	SLEEVE	1		X X	
9	SPRING ASSEMBLY	1		X X	
10	PIN	1		X X	
11	CONTROL	1		X X	
12	PLUNGER	1		X X	
13	SPRING	1		X X	
14	O-RING	1		X X	
15	CAP	1		X X	
16	RETAINER	1		X X	
17	BALL CHECK	1		X X	
18	O-RING	1		X X	(A)
19	VALVE SEAT	1		X X	
20	SET SCREW	1		X X	
21	BEARING	2		X X	
22	NEEDLE BEARING	1		X X	
23	O-RING	1		X X	(A)
24	SEAL	1		X X	(A)
25	SEAL	1		X X	(A)
26	BUSHING	1		X X	
27	SNAP RING	1		X X	
28	SEAL	1		X X	(A)
29	HOUSING	1		X X	
30	SCREW	1		X X	
31	AH142893	SEAL KIT	1		X X	
32	AH142441	PUMP	1		X X	(SUB FOR AH130126) (COMPLETE STEERING UNIT)
..	AT75941	SEAL KIT	1		X X	(SEAL REPAIR) INCLUDES PARTS MARKED (A) (SUB AH142893)

5D1

HYDRAULIC STEERING HOSES, UPPER AND ATTENUATOR

HP6218 -UN-04JAN96



HP6218

5D2

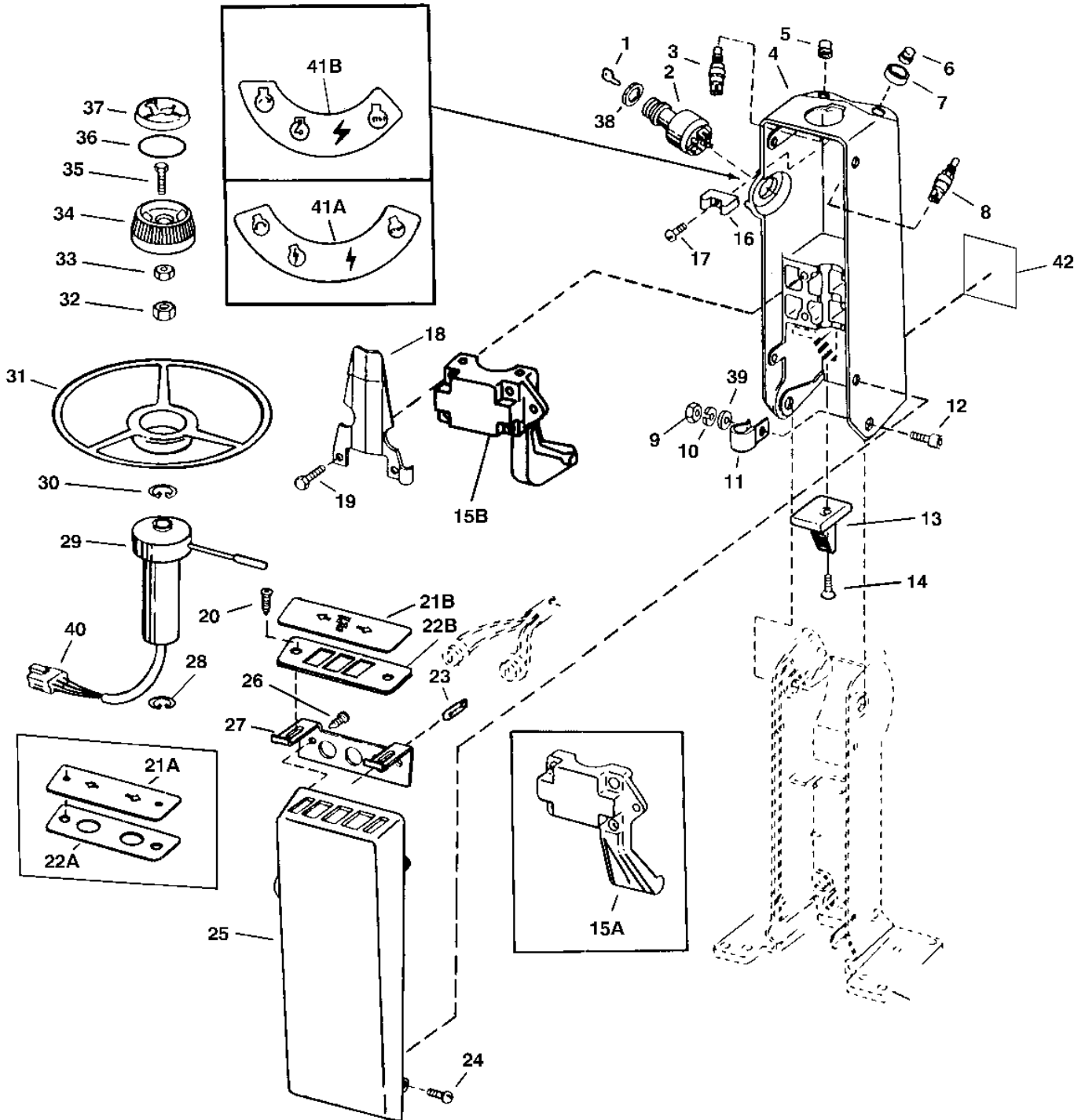
STEERING AND BRAKES

HYDRAULIC STEERING HOSES, UPPER AND ATTENUATOR - CONTINUED

KEY	PART NO.	PART NAME	QTY	SERIAL NO.	S H 9 9 5 5 0 0 0 0	REMARKS
1	U12547	O-RING	2		X X	23.470 X 2.946 MM (0.924" X 0.116")
2	38H1007	ELBOW FITTING	2		X X	
3	T77858	O-RING	2		X X	18.771 X 1.778 MM (0.739" X 0.070")
4	AH126254	HYDRAULIC HOSE	1		X X	1-3/16" X 600 MM (23-1/2") X 1" (RETURN)
5	R26375	O-RING	1		X X	16.358 X 2.210 MM (0.644" X 0.087")
6	38H1161	ADAPTER	1		X X	
7	T77857	O-RING	3		X X	12.421 X 1.778 MM (0.489" X 0.070")
8	AH133752	HYDRAULIC HOSE	2		X X	13/16" X 530 MM (20-3/4") X 13/16" (PRESSURE)
9	AH128744	HYDRAULIC HOSE	1	-665851	X X	1-7/16" X 950 MM (37-1/2") X 1-3/16" (SUCTION)
	AH147935	HYDRAULIC HOSE	1	665852-	X X	
10	T76938	O-RING	1		X X	23.520 X 1.778 MM (0.926" X 0.070")
11A	38H1049	ELBOW FITTING	1	-665851	X X	
11B	38H1164	ADAPTER	1	665852-	X X	
12	R29936	O-RING	1		X X	29.743 X 2.946 MM (1.171" X 0.116")
13	38H1173	ADAPTER	2		X X	
14	R26448	O-RING	2		X X	11.887 X 1.981 MM (0.468" X 5/64")
15	03M7267	BOLT	2	-656970	X X	M8 X 80
	14M7298	FLANGE NUT	2		X X	M8
	03M7223	BOLT	2	656971-	X X	M8 X 60
16	R35794	CLAMP	2		X X	
17	AR75693	ATTENUATOR	1	-671527	X X	
	AR150551	ATTENUATOR	1	671528-672485	X X	
	AR75693	ATTENUATOR	1	672486-	X X	

5D3

STEERING COLUMN (UPPER) HP6547 -UN-23AUG96



HP6547

5D4

STEERING AND BRAKES

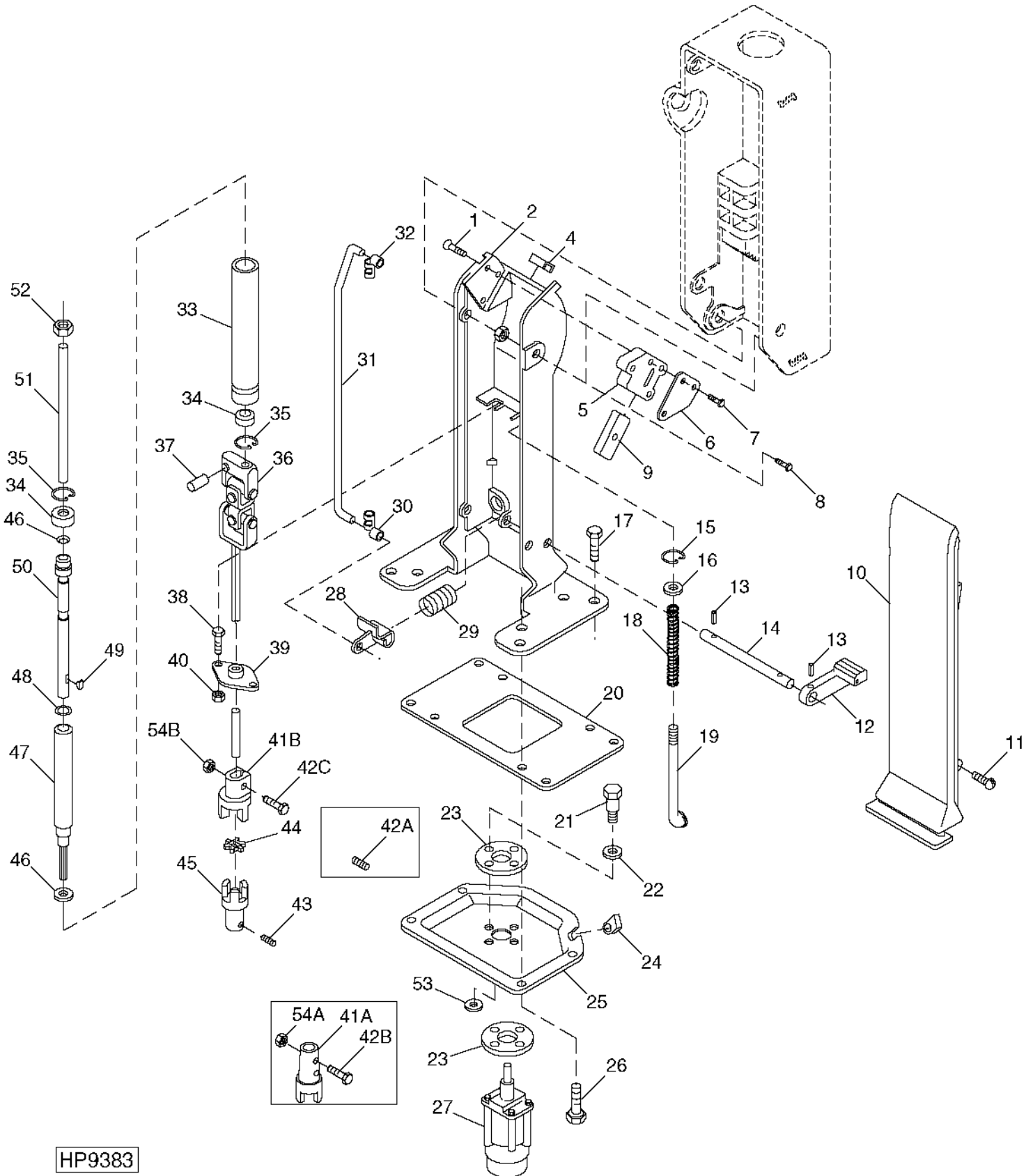
STEERING COLUMN (UPPER) - CONTINUED

KEY	PART NO.	PART NAME	QTY	SERIAL NO.	S H 9 5 0 0	REMARKS
1	AR51481	KEY	1		X X	
2	AH108816	SWITCH	1		X X	KEY START SWITCH
3	R39554	SWITCH	1		X X	HORN BUTTON
4	H113858	HOUSING	1		X X	
5	T55501	CAP	1		X X	
6	T55585	CAP	1		X X	
7	H132895	GUARD	1		X X	
8	R39554	SWITCH	1		X X	ETHER AID START BUTTON
9	14M7274	NUT	2		X X	M10
10	12M7066	LOCK WASHER	2		X X	10.200 MM (0.402")
11	AH89486	CLIP	1	-661744	X X	(SUB AH96317)
	AH96317	CLIP	1		X X	
12	H107687	SCREW	2		X X	M10 X 23
13	H110812	GEAR	1		X X	
14	H133205	SCREW	2		X X	
15A	H113279	CLAMP	1	-660200	X X	
15B	H150383	CLAMP	1	660201-	X X	
16	H113863	GUIDE	1		X X	
17	37M7071	SCREW	1		X X	
18	AH129255	GUARD	1		X X	(SUB FOR AH150611)
19	19M7800	SCREW	4		X X	M8 X 50
20	H132899	SCREW	1		X X	
21A	H134602	PANEL	1	-646140	X	(SUB H146392)
21B	H146392	PANEL	1		X X	
22A	H134635	PANEL	1	-646140	X	(SUB H146391)
22B	H146391	PANEL	1		X X	
23	AA27536	BULB	2		X	
	AA27536	BULB	3		X	
24	H130192	SCREW	4		X X	M6 X 12
25	H123873	COVER	1		X X	
26	37H6	SCREW	2		X X	
27	H132897	RETAINER	1		X X	
28	R26192	SNAP RING	1		X X	
29	AH121340	TURN SIGNAL CONTROLLER	1		X X	TURN SIGNAL (INCLUDES T23529 SNAP RING)
30	R26192	SNAP RING	1		X X	
31	T22875	STEERING WHEEL	1		X X	
32	14M7160	NUT	1	-643087	X	M20, (SUB 14M7257)
	14M7257	NUT	1	643088-	X X	M20
	14M7273	NUT	1		X X	M8
34	H108822	KNOB	1		X X	
35	19M3135	CAP SCREW	1	-643087	X	M8 X 40, (SUB 19M7922)
	19M7922	CAP SCREW	1		X X	M8 X 40
36	B3690R	O-RING	1		X X	47.219 X 3.531 MM (1-55/64" X 0.139")
37	R47998	CAP	1		X X	
38	R44342	NUT	1		X X	25.400 MM (1")
39	24M7040	WASHER	1		X X	11 X 20 X 2 MM (0.433" X 0.787" X 0.079")
40	AH116902	CONNECTOR	1		X X	
41A	H139427	LABEL	1	-643087	X	FOR IGNITION SWITCH, (SUB H146042)
41B	H146042	LABEL	1		X X	
42	H156390	LABEL	1	6MAY96-		

5D5

STEERING COLUMN (LOWER)

HP9383 -UN-07DEC99



HP9383

5D6

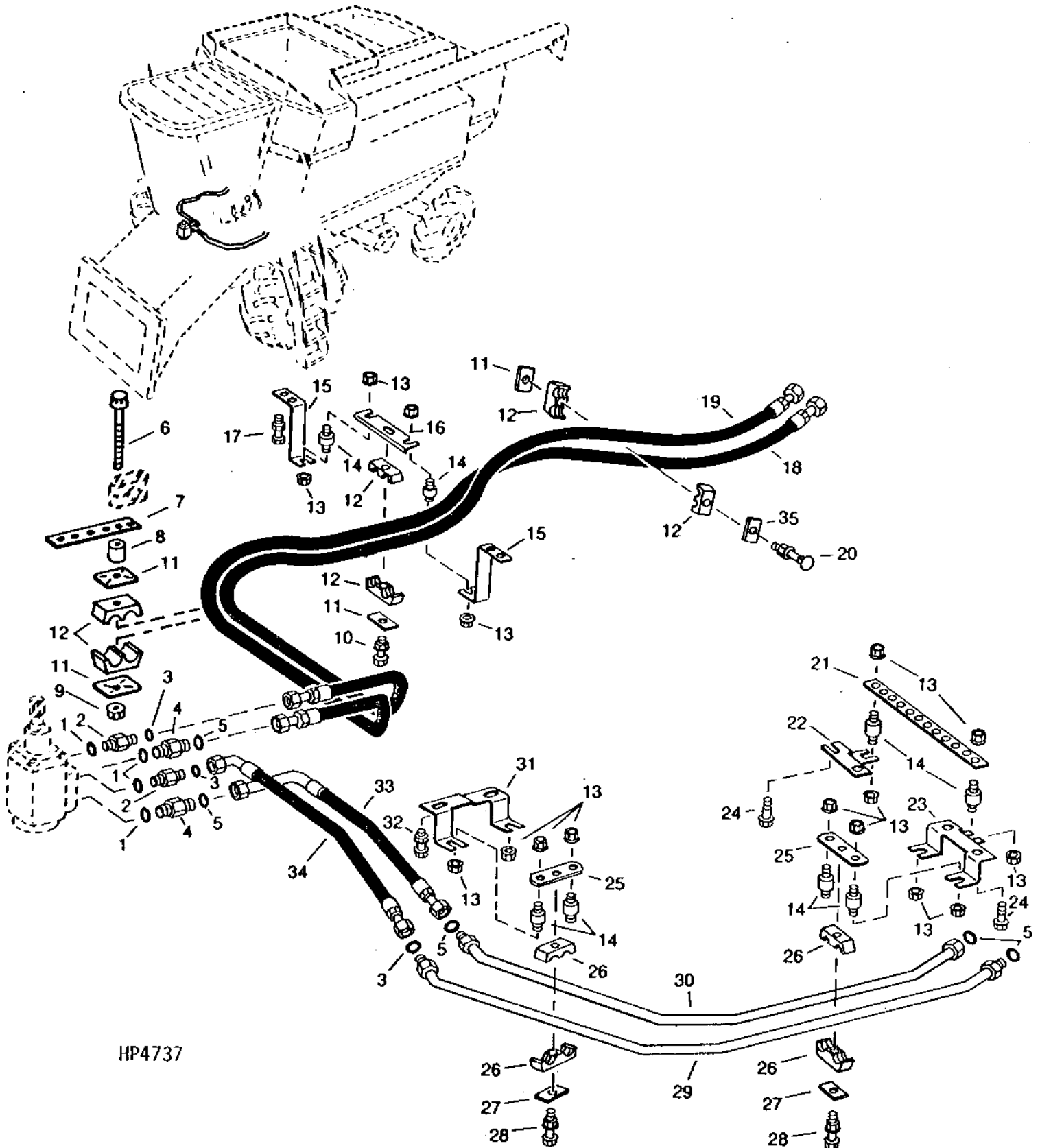
STEERING AND BRAKES

STEERING COLUMN (LOWER) - CONTINUED

KEY	PART NO.	PART NAME	QTY	SERIAL NO.	S H 9 9 5 5 0 0 0 0	REMARKS
1	H133205	SCREW	3		X X	M8 X 25
2	H123877	HOUSING	1		X X	
3	14M7274	NUT	2		X X	M10
4	H107566	ISOLATOR	1		X X	
5	H110310	HOUSING	1		X X	
6	H110229	CRANK	1		X X	
7	H131424	BOLT	2		X X	M6 X 20.750
8	H107687	SCREW	2		X X	M10 X 23
9	H141327	PAWL	1	646008-	X X	(SUB FOR H109539)
10	H152172	COVER	1		X X	(SUB FOR H123872, H147192 OR H165293)
11	H130192	SCREW	4		X X	M6 X 12
12	H152174	PEDAL	1		X X	(SUB FOR H107581)
13	34M7102	SPRING PIN	2		X X	5 X 26 MM
14	H113864	PIN	1		X X	
15	H133106	SNAP RING	1		X X	
16	24M7055	WASHER	1		X X	8.400 X 16 X 1.600 MM
17	19M7800	SCREW	4		X X	M8 X 50
18	H113404	SPRING	1		X X	
19	H113402	ROD	1		X X	
20	H123874	SEALANT	1		X X	
21	H110700	BOLT	4		X X	M8 X 34.750
22	24M7028	WASHER	4		X X	10.500 X 20 X 2 MM
23	H134353	ISOLATOR	2		X X	
24	H108725	GROMMET	1		X X	
25	H123875	SUPPORT	1		X X	
26	19M7867	SCREW	4		X X	M8 X 25
27	AH142441	PUMP	1	647298-	X X	(SUB FOR AH130126) STEERING PUMP
28	H107582	ARM	1		X X	
29	H107584	SPRING	1		X X	
30	R26501	CLIP	1		X X	
31	H131186	ROD	1		X X	
32	R26524	CLIP	1		X X	
33	H107567	HOUSING	1		X X	
34	AH97920	BALL BEARING	2		X X	
35	H80753	SNAP RING	2		X X	
36	AH130435	UNIVERSAL JOINT, WITH SHAFT	1	-643457	X	(SUB AH139065, H144970, 19M7295 AND 14M7166)
	AH139065	UNIVERSAL JOINT, WITH SHAFT	1		X X	
37	34M7124	SPRING PIN	1		X X	8 X 30 MM
38	19M7866	SCREW	2		X X	M8 X 20
39	AH129236	BEARING	1		X X	
40	14M7298	FLANGE NUT	2	-643457	X	M8
	14M7166	LOCK NUT	2	643458-	X X	M8
41A	H134622	COUPLING	1	-643457	X	
41B	H162569	COUPLING	1		X X	(SUB FOR H144970 OR H162056)
42A	22M7073	SET SCREW	2	-640528	X	M8 X 12
42B	19M8359	CAP SCREW	2	640529-	X X	M8 X 45
42C	H162055	SCREW	1	28APR7-27OCT7	X X	
	H164921	SCREW	1	27OCT7-	X X	
43	22M7072	SET SCREW	2		X X	M6 X 10
44	H134624	ISOLATOR	1		X X	
45	H134623	SPLINED COUPLING	1		X X	
46	H99294	WASHER	2		X X	22.606 X 27.813 X 0.813 MM (0.890" X 1.095" X 0.032")
47	AH130429	STEERING SHAFT	1		X X	
48	H36256	O-RING	1		X X	15.469 X 3.531 MM (39/64" X 0.139")
49	H137667	SHAFT KEY	1		X X	8 X 32 MM (0.315" X 1.260")
50	H107570	STEERING SHAFT	1		X X	
51	H107586	PIN	1		X X	8 X 268 MM (0.315" X 10.551")
52	14M7257	NUT	1	643458-	X X	M20, (SUB FOR 14M7160)
53	H141946	WASHER	4		X X	8.330 X 15.880 X 1.520 MM (0.328" X 0.625" X 0.060")
54A	14M7166	LOCK NUT	1	640529-	X X	M8
54B	14M7396	LOCK NUT	1	28APR7-	X X	M8

5D7

STEERING HOSES AND LINES, FRONT
HP4737 -UN-01JAN94



5D8

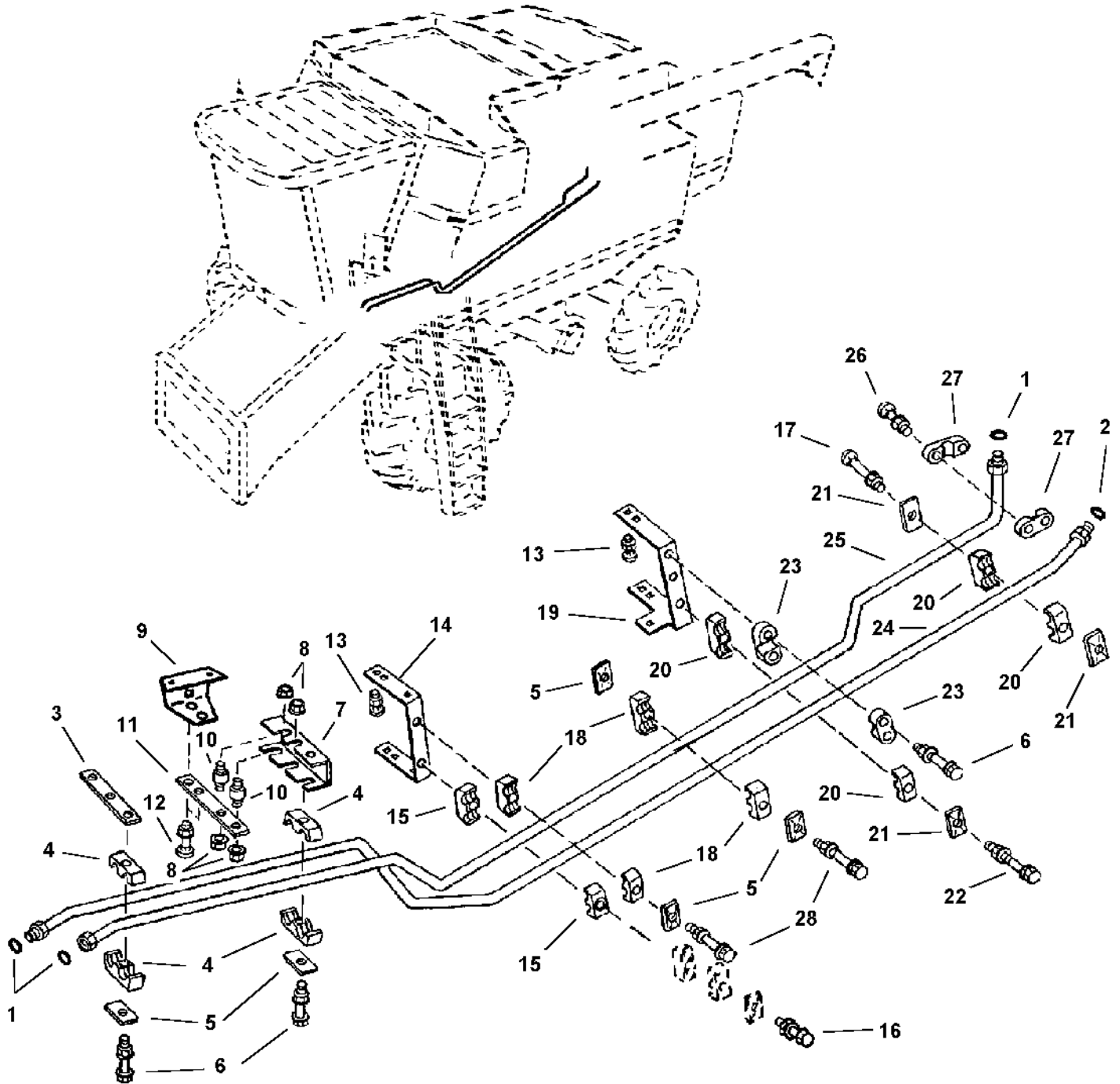
STEERING AND BRAKES

STEERING HOSES AND LINES, FRONT - CONTINUED

KEY	PART NO.	PART NAME	QTY	SERIAL NO.	S H 9 5 0 0	REMARKS
1	R26375	O-RING	4		X X	16.358 X 2.210 MM (0.644" X 0.087")
2	38H1161	ADAPTER	2		X X	
3	T77857	O-RING	3		X X	12.421 X 1.778 MM (0.489" X 0.070")
4	38H1317	FITTING	2		X X	
5	T77932	O-RING	5		X X	15.596 X 1.778 MM (0.614" X 0.070")
6	19M8006	SCREW	1		X X	M8 X 120
7	H134558	STRAP	1		X X	
8	H133060	SLEEVE	1		X X	8.300 X 16 X 19.300 MM (0.327" X 0.630" X 0.760")
9	14M7298	FLANGE NUT	1		X X	M8
10	19M7801	SCREW	1		X X	M8 X 60
	14M7396	LOCK NUT	1		X X	M8
11	H112567	PLATE	4		X X	
12	H135155	CLAMP	6		X X	
13	N10217	LOCK NUT	16		X X	6.350 MM (1/4")
14	AH126657	ISOLATOR	8		X X	
15	H135608	BRACKET	2		X X	
16	H134470	STRAP	1		X	ROUND HOLES
17	19M7865	SCREW	4		X X	M8 X 16
	14M7298	FLANGE NUT	4		X X	M8
18	AH131546	HYDRAULIC HOSE	1		X X	11/16" X 1 800 MM (70-3/4") X 1" (RIGHT)
19	AH131545	HYDRAULIC HOSE	1		X X	13/16" X 1 800 MM (70-3/4") X 13/16" (LEFT)
20	03M7224	BOLT	1		X X	M8 X 65 (RD. HEAD)
	14M7298	FLANGE NUT	1		X X	M8
21	H134426	STRAP	1		X X	
22	H134427	BRACKET	1		X X	
23	H134424	BRACKET	1		X X	
24	37M7092	SCREW	4	-640200	X	M8 X 16
	37M7058	SCREW	4	640201-	X X	M8 X 20
25	H134425	STRAP	2		X X	
26	H120847	CLAMP	4		X X	
27	H121168	PLATE	2		X X	
28	19M8318	SCREW	2		X X	M8 X 45
	14M7298	FLANGE NUT	2		X X	M8
29	AH131382	HYDRAULIC LINE	1		X X	(RETURN)
30	AH131381	HYDRAULIC LINE	1		X X	(PRESSURE)
31	H135619	BRACKET	1		X X	
32	19M7865	SCREW	2		X X	M8 X 16
	14M7298	FLANGE NUT	2		X X	M8
33	AH130466	HYDRAULIC HOSE	1	-640200	X	1" X 550 MM (21-3/4") X 1", (SUB AH133161) PRESSURE
	AH133161	HYDRAULIC HOSE	1		X X	1" X 600 MM (23-1/2") X 1"
34	AH130212	HYDRAULIC HOSE	1	-639061	X	13/16" X 640 MM (25-1/4") X 13/16", (SUB AH133160) RETURN
	AH133160	HYDRAULIC HOSE	1		X X	13/16" X 690 MM (27-1/4") X 13/16"
35	H134532	STRAP	1	-656970	X X	(SUB 24H1347)
	24H1347	WASHER	1		X X	13.487 X 50.800 X 4.928 MM (17/32" X 2" X 0.194")

5D9

STEERING LINES, L.H. SIDE
HP7245 -UN-07NOV97



HP7245

5D10

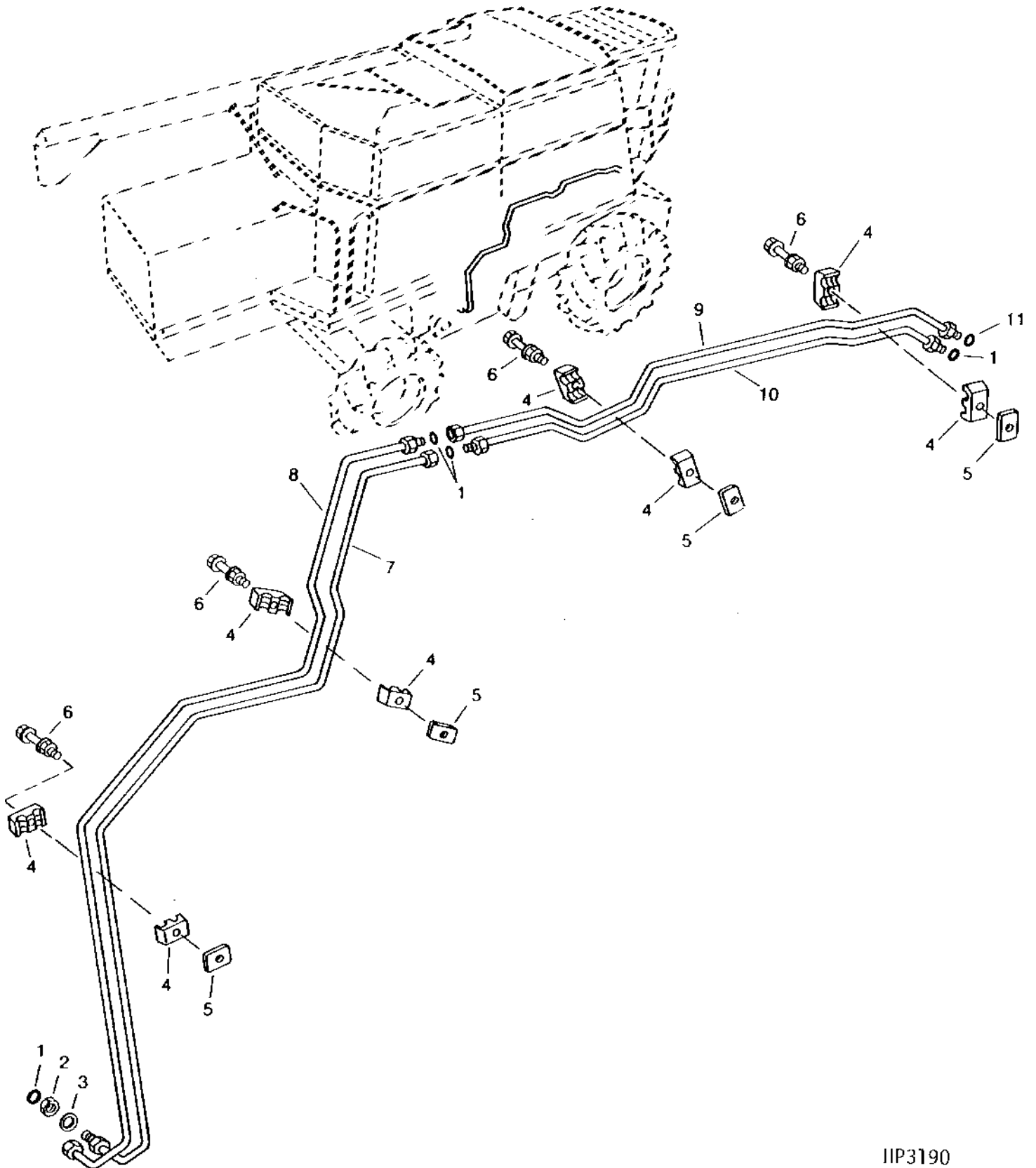
STEERING AND BRAKES

STEERING LINES, L.H. SIDE - CONTINUED

KEY	PART NO.	PART NAME	QTY	SERIAL NO.	S H 9 9 5 5 0 0 0 0	REMARKS
1	T77932	O-RING	3		X X	15.596 X 1.778 MM (0.614" X 0.070")
2	T77857	O-RING	1		X X	12.421 X 1.778 MM (0.489" X 0.070")
3	H131163	STRAP	1	-631977	X	
4	H120847	CLAMP	2		X X	
5	H121168	PLATE	4		X X	
6	19M8318	SCREW	2	-631977	X	M8 X 45
	03M7189	BOLT	2	631978-	X X	M8 X 45
	14M7298	FLANGE NUT	2		X X	M8
7	H134428	BRACKET	1		X X	
8	N10217	LOCK NUT	4		X X	6.350 MM (1/4")
9	H138411	BRACKET	1		X X	
10	AH126657	ISOLATOR	2		X X	
11	H134434	SUPPORT	1		X X	
12	03M7184	BOLT	2		X X	M8 X 20 (RD. HEAD)
	14M7298	FLANGE NUT	2		X X	M8
13	19M7866	SCREW	8		X X	M8 X 20 (RD. HEAD)
	14M7396	LOCK NUT	8		X X	M8
14	H131115	BRACKET	1		X X	
15	H120847	CLAMP	2		X X	
16	19M7913	SCREW	1		X X	M8 X 90 (STACKING)
	14M7298	FLANGE NUT	1		X X	M8
17	19M7801	SCREW	1	-29SEP7	X X	M8 X 60
	19M7803	SCREW	1	29SEP7-	X X	M8 X 70
	14M7298	FLANGE NUT	1		X X	M8
18	H109046	CLAMP	4		X X	
19	H133659	BRACKET	1		X X	
20	H111730	CLAMP	4		X X	
21	H112567	PLATE	3		X X	
22	19M7979	SCREW	1		X X	M8 X 55
	14M7298	FLANGE NUT	1		X X	M8
23	H115533	CLAMP	2		X X	
24	AH131316	HYDRAULIC LINE	1		X X	(PRESSURE)
25	AH131302	OIL LINE	1		X X	(RETURN)
26	03M7216	BOLT	2		X X	M8 X 50 (RD. HEAD)
	14M7298	FLANGE NUT	2		X X	M8
27	H115533	CLAMP	2		X X	
28	19M8318	SCREW	2		X X	M8 X 45
	19M8319	SCREW	2		X X	M8 X 50
	14M7298	FLANGE NUT	2		X X	M8

5D11

STEERING LINES, R.H. SIDE
HP3190 -UN-01JAN94



IIP3190

5D12

STEERING LINES, R.H. SIDE - CONTINUED

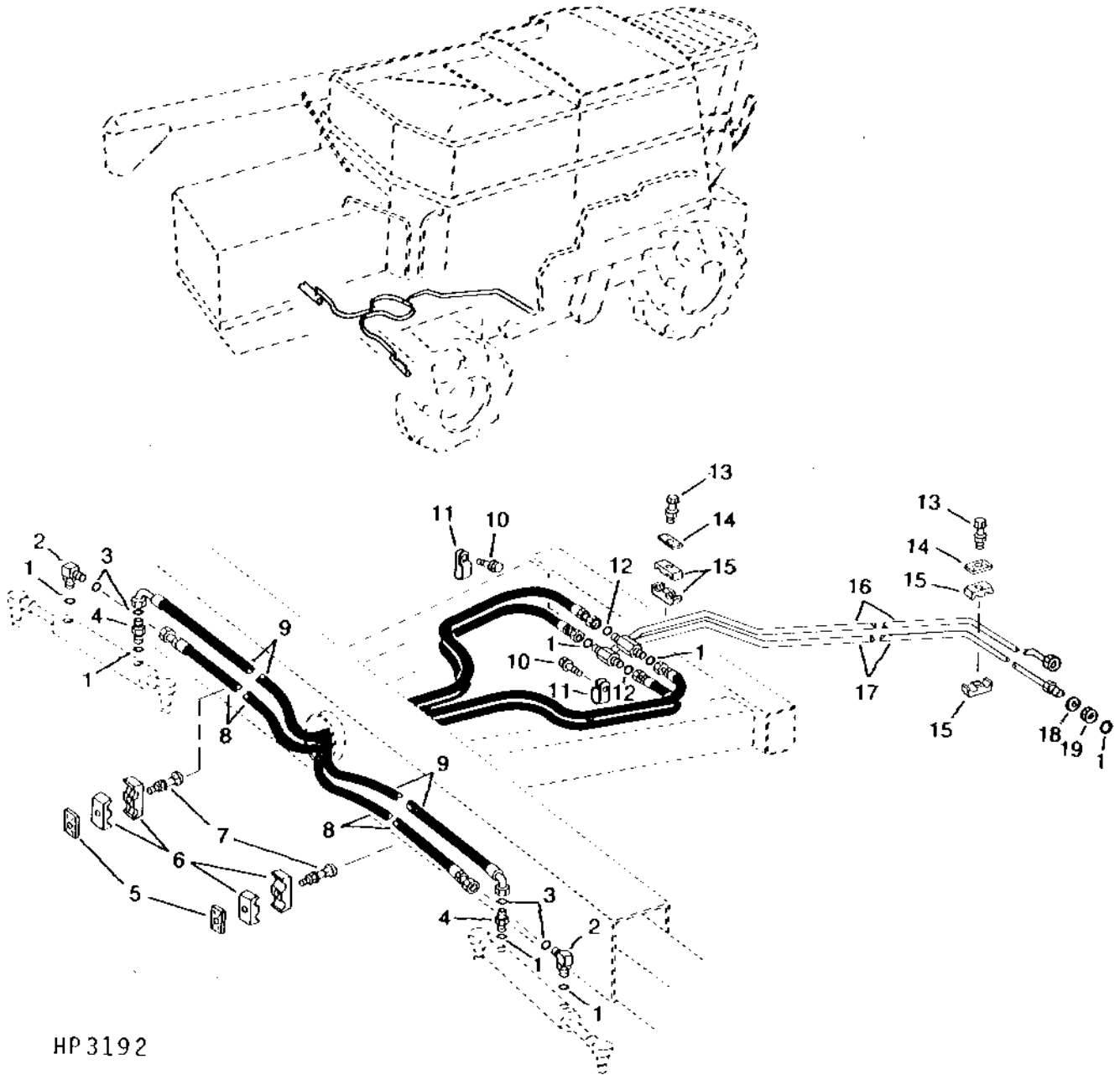
KEY	PART NO.	PART NAME	QTY	SERIAL NO.	S H 9 5 0 0	REMARKS
1	T77613	O-RING	4		X X	9.246 X 1.778 MM (0.364" X 0.070")
2	T81029	NUT	1		X X	17.475 MM, (BULKHEAD)
3	24M7114	WASHER	1		X X	19 X 30 X 4 MM
4	H128515	CLAMP	8		X X	
5	H121163	COVER	4		X X	
6	03M7188	BOLT	4		X X	M8 X 40 (RD. HEAD)
	14M7298	FLANGE NUT	4		X X	M8
7	AH130489	HYDRAULIC LINE	1	-643457	X	(RIGHT)
	AH140715	HYDRAULIC LINE	1	643458-	X X	(RIGHT)
8	AH130487	HYDRAULIC LINE	1	-643457	X	(LEFT)
	AH140714	HYDRAULIC LINE	1	643458-	X X	(LEFT)
9	AH131874	OIL LINE	1		X X	(LEFT)
10	AH131875	OIL LINE	1		X X	(RIGHT)
11	T77857	O-RING	1		X X	12.421 X 1.778 MM (0.489" X 0.070")

5D13

STEERING LINES AND HOSES, REAR

(DUAL CYLINDER)

HP3192 -UN-01JAN94



HP 3192

5D14

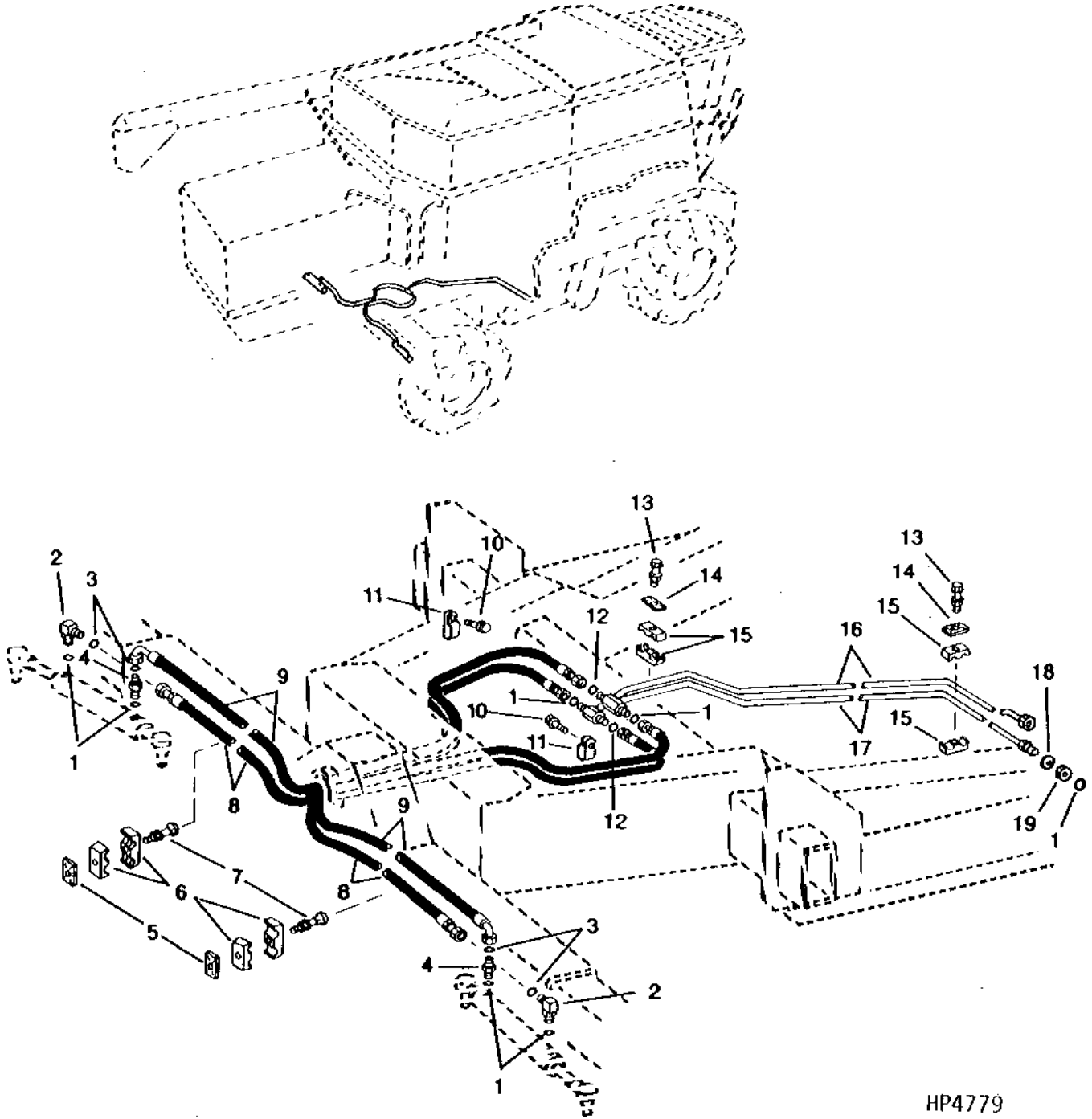
STEERING AND BRAKES

**STEERING LINES AND HOSES, REAR - CONTINUED
(DUAL CYLINDER)**

KEY	PART NO.	PART NAME	QTY	SERIAL NO.	S H 9 5 0 0 0	REMARKS
1	R26448	O-RING	4	X		11.887 X 1.981 MM (0.468" X 5/64")
2	38H1004	ELBOW FITTING	2	X		
3	T77613	O-RING	7	X		9.246 X 1.778 MM (0.364" X 0.070")
4	38H1160	ADAPTER	2	X		
5	H121168	PLATE	2	X		
6	H135156	CLAMP	4	X		
7	03M7280	BOLT	2	X		M6 X 45
	14M7303	FLANGE NUT	2	X		M6
8	AH130890	HYDRAULIC HOSE	2	X		9/16" X 2 452 MM (96-1/2") X 11/16"
9	AH130119	HYDRAULIC HOSE	2	X		11/16" X 2 137 MM (84-1/4") X 11/16"
10	37M7092	SCREW	2	X		M8 X 16
11	AH97280	CLIP	2	X		
12	T77814	O-RING	2	X		7.645 X 1.778 MM (0.301" X 0.070")
13	19M8317	SCREW	2	X		M8 X 40
	14M7298	FLANGE NUT	2	X		M8
14	H121163	COVER	2	X		
15	H128515	CLAMP	4	X		
16	AH120872	OIL LINE	1	X		(RIGHT)
17	AH120876	OIL LINE	1	X		(LEFT)
18	24M7114	WASHER	1	X		19 X 30 X 4 MM
19	T81029	NUT	1	X		17.475 MM (11/16")

5D15

STEERING LINES AND HOSES, REAR
(DUAL CYLINDER) (SIDEHILL)
HP4779 -UN-01JAN94



HP4779

5D16

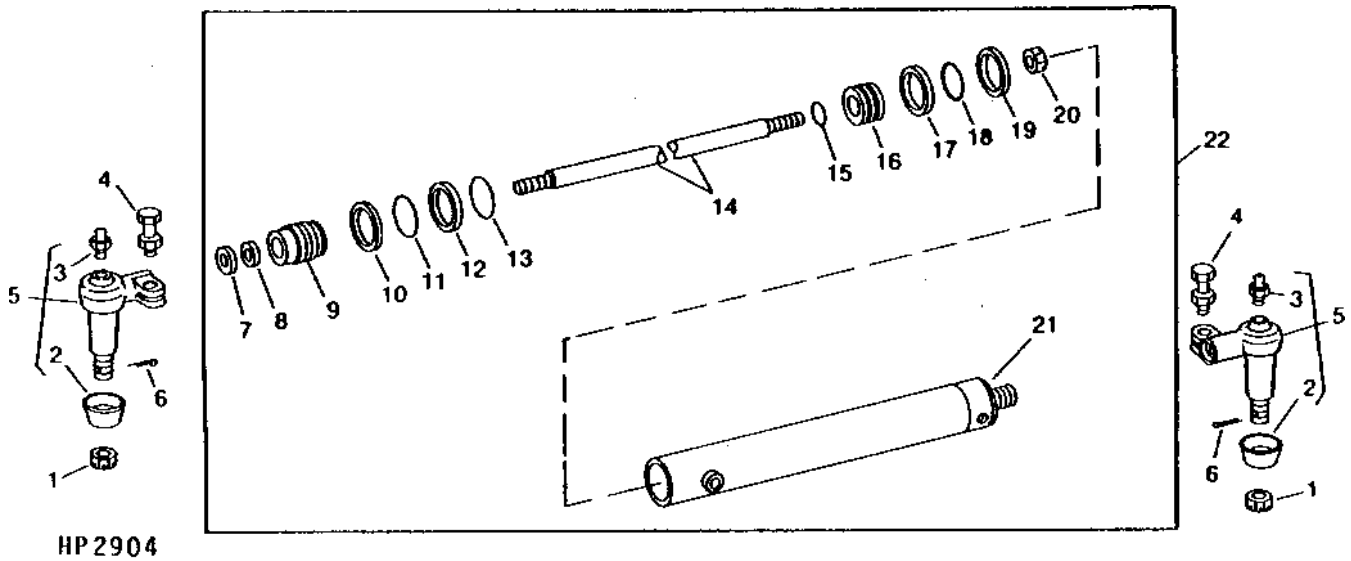
STEERING AND BRAKES

**STEERING LINES AND HOSES, REAR - CONTINUED
(DUAL CYLINDER) (SIDEHILL)**

KEY	PART NO.	PART NAME	QTY	SERIAL NO.	S H 9 5 0 0 0	REMARKS
1	R26448	O-RING	4		X	11.887 X 1.981 MM (0.468" X 5/64")
2	38H1004	ELBOW FITTING	2		X	
3	T77613	O-RING	7		X	9.246 X 1.778 MM (0.364" X 0.070")
4	38H1160	ADAPTER	2		X	
5	H121168	PLATE	2		X	
6	H135156	CLAMP	4		X	
7	03M7280	BOLT	2		X	M6 X 45
	14M7303	FLANGE NUT	2		X	M6
8	AH136367	HYDRAULIC HOSE	2		X	9/16" X 2 630 MM (103-1/2") X 11/16"
9	AH136368	HYDRAULIC HOSE	2		X	11/16" X 2 320 MM (91-1/4") X 11/16"
10	37M7092	SCREW	2		X	M8 X 16
11	AH97280	CLIP	2		X	
12	T77814	O-RING	2		X	7.645 X 1.778 MM (0.301" X 0.070")
13	19M8317	SCREW	2		X	M8 X 40
	14M7298	FLANGE NUT	2		X	M8
14	H121163	COVER	2		X	
15	H128515	CLAMP	4		X	
16	AH120872	OIL LINE	1		X	(RIGHT)
17	AH120876	OIL LINE	1		X	(LEFT)
18	24M7114	WASHER	1		X	19 X 30 X 4 MM
19	T81029	NUT	1		X	17.475 MM (11/16")

5D17

STEERING CYLINDER
HP2904 -UN-01JAN94



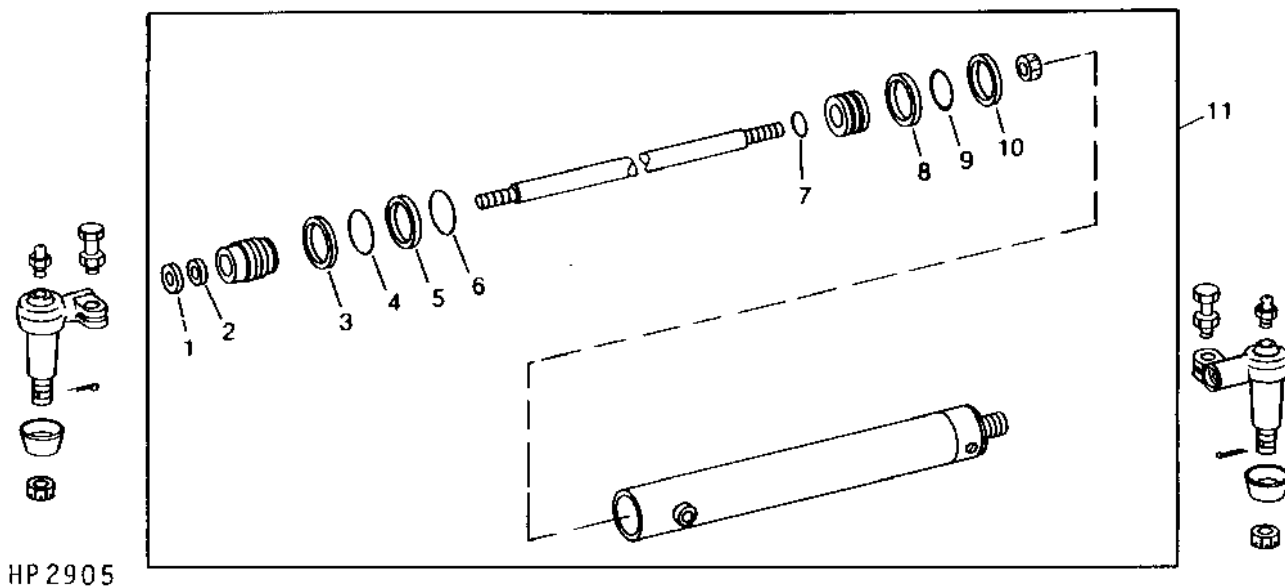
HP2904

KEY	PART NO.	PART NAME	QTY	SERIAL NO.	S	H	REMARKS
					9	9	
					5	5	
					0	0	
					0	0	
1	14H902	NUT	2		X	X	3/4"
2	R78027	COVER	2		X	X	
3	JD7797	LUBRICATION FITTING	2		X	X	
4	19H1765	CAP SCREW	2		X	X	3/8" X 1-3/4" (USE WITH O.AND S.)
	H99923	LOCK NUT	2		X	X	9.525 MM (3/8") (USE WITH O.AND S.)
	19H1740	CAP SCREW	2		X	X	7/16" X 1-3/4" (USE WITH TRW)
	H80440	LOCK NUT	2		X	X	11.125 MM (7/16") (USE WITH TRW)
5	AH117566	TIE ROD END	2		X	X	(WITH COVER, ZERK AND CLAMP BOLT)
6	11M7092	COTTER PIN	2		X	X	3.200 X 40 MM
7	SEAL	1		X	X	(KIT AH101202)
8	SEAL	1		X	X	(KIT AH101202)
9	GUIDE	1		X	X	
10	SNAP RING	1		X	X	(KIT AH101202)
11	RING	1		X	X	(KIT AH101202)
12	WASHER	1		X	X	(KIT AH101202)
13	O-RING	1		X	X	(KIT AH101202)
14	ROD	1		X	X	
15	O-RING	1		X	X	(KIT AH101202)
16	PISTON	1		X	X	
17	PISTON RING	1		X	X	(KIT AH101202)
18	O-RING	1		X	X	(KIT AH101202)
19	WEAR RING	1		X	X	(KIT AH101202)
20	LOCK NUT	1		X	X	
21	HYDRAULIC CYLINDER BARREL	1		X	X	
22	AH125658	HYDRAULIC CYLINDER	1		X	X	(COMPLETE COMPONENT, LESS TIE ROD ENDS)
..	AH101202	KIT	1		X	X	SEAL REPAIR

NOTE: QUANTITIES SHOWN ARE FOR ONE UNIT. TWO UNITS USED PER MACHINE.

5D18

STEERING CYLINDER KIT
HP2905 -UN-01JAN94

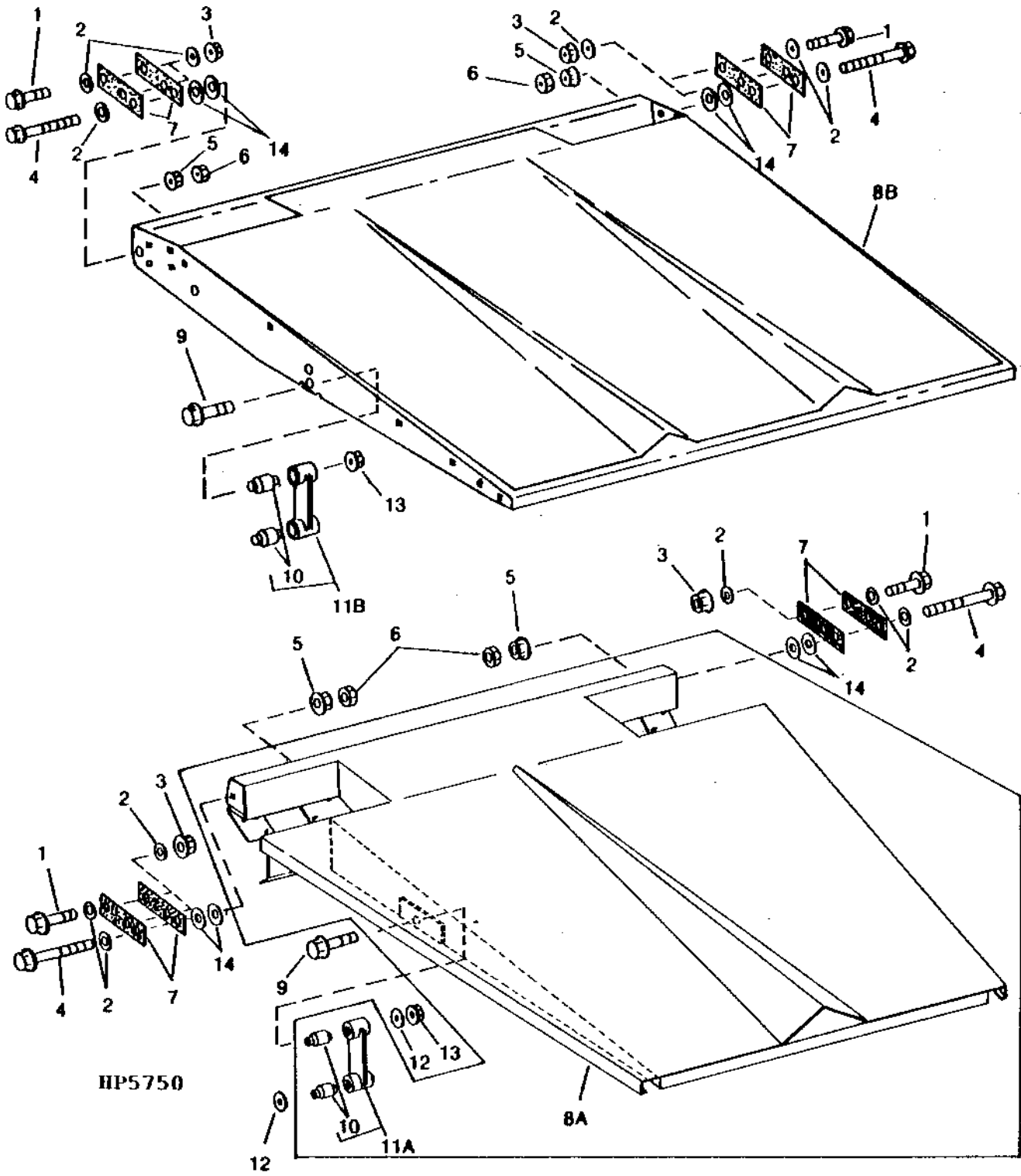


HP 2905

KEY	PART NO.	PART NAME	QTY	SERIAL NO.	S H 9 9 5 5 0 0 0 0	REMARKS
1	SEAL	1		X X	
2	SEAL	1		X X	
3	RING	1		X X	
4	RING	1		X X	
5	WASHER	1		X X	
6	O-RING	1		X X	
7	O-RING	1		X X	
8	PISTON RING	1		X X	
9	O-RING	1		X X	
10	RING	1		X X	
11	AH101202	KIT	1		X X	

5D19

REAR AXLE TRASH SHIELD
HP5750 -UN-01JAN94



5D20

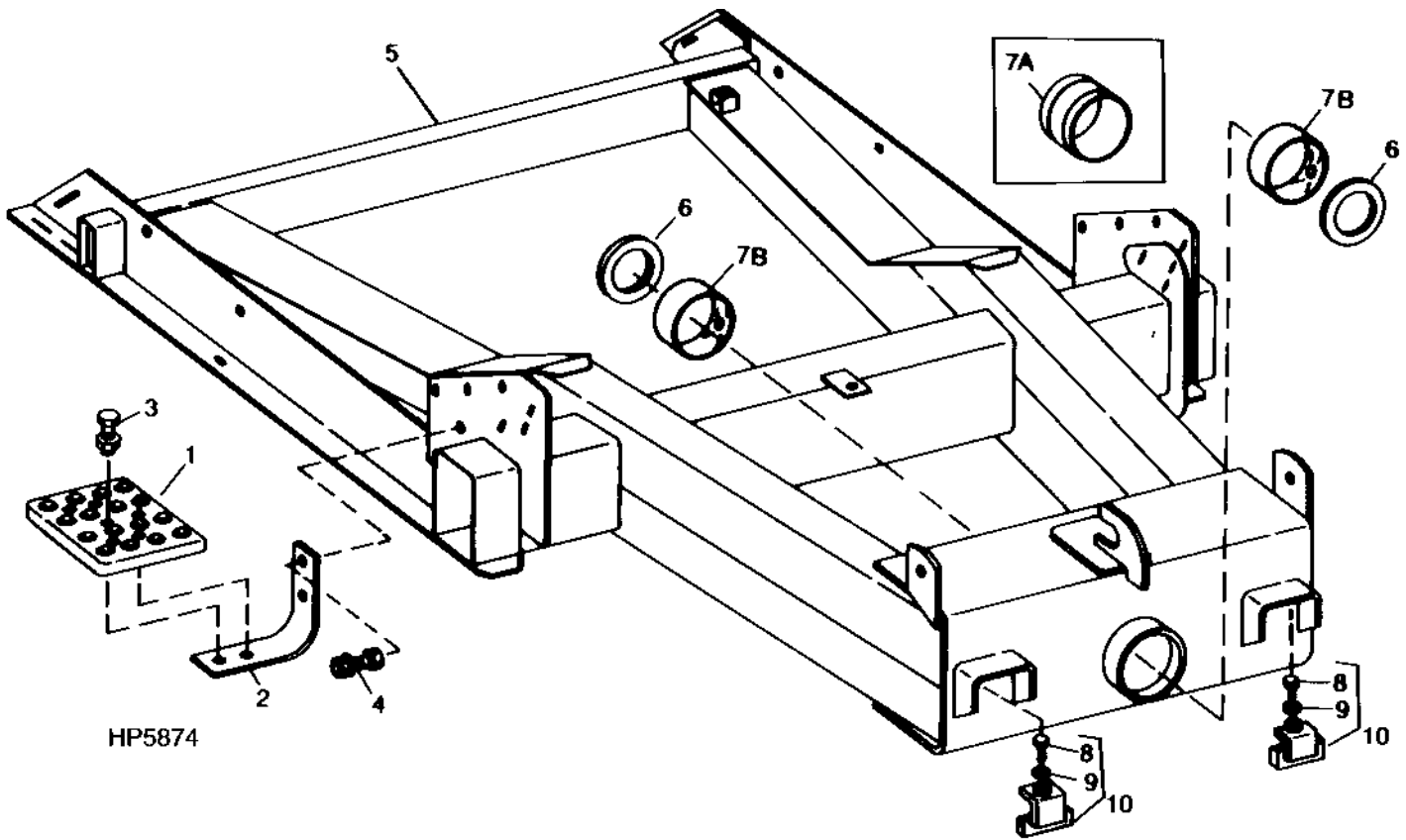
STEERING AND BRAKES

REAR AXLE TRASH SHIELD - CONTINUED

KEY	PART NO.	PART NAME	QTY	SERIAL NO.	S H 9 5 0 0	REMARKS
1	19M7807	SCREW	4		X X	M10 X 60
2	24M7178	WASHER	12		X X	10.500 X 30 X 2.500 MM
3	14M7400	LOCK NUT	4		X X	M10
4	19M7807	SCREW	2		X X	M10 X 60
5	14M7296	FLANGE NUT	2		X X	M10
6	14M7274	NUT	2		X X	M10
7	H130388	STRAP	4		X X	
8A	AH128467	FRAME	1	-646236	X X	(SUB AH141040)
	AH141040	FRAME	1	-650200	X X	(SUB AH137975)
8B	AH137975	FRAME	1		X X	
9	19M7819	SCREW	4		X X	M12 X 90
10	AH125200	BUSHING	4		X X	
11A	AH125973	ARM	2	-646966	X X	(SUB AH138233)
11B	AH138233	LINK	2		X X	
12	T62323	WASHER	4		X X	13.487 X 51.054 X 3.175 MM
13	14M7299	FLANGE NUT	4		X X	M12
14	24M7180	WASHER	4		X X	13 X 37 X 3 MM

5D21

REAR AXLE SUPPORT
HP5874 -UN-14OCT94



5D22

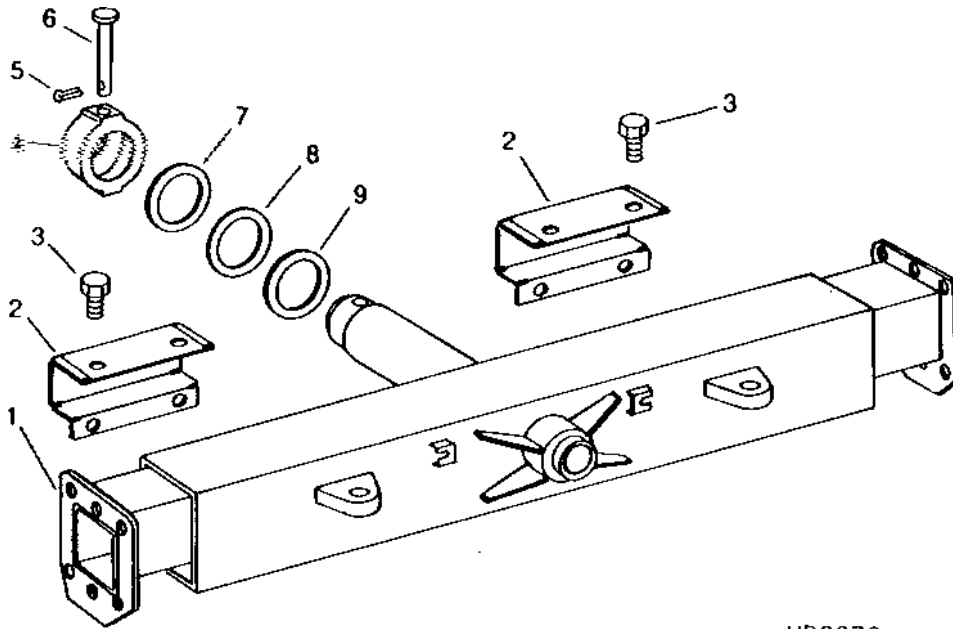
STEERING AND BRAKES

REAR AXLE SUPPORT - CONTINUED

KEY	PART NO.	PART NAME	QTY	SERIAL NO.	S H 9 5 0 0	REMARKS
1	R84943	STEP	1		X X	
2	H133320	BRACKET	1		X X	
3	19M7785	SCREW	2		X X	M10 X 25
	14M7298	FLANGE NUT	2		X X	M8
4	19M7835	SCREW	2		X X	M10 X 35
	14M7298	FLANGE NUT	2		X X	M8
5	AH125226	REAR AXLE SUPPORT	1	-638495	X	(SUB AH137284)
	AH137284	REAR AXLE SUPPORT	1	638496-640200	X X	(SUB AH138986)
	AH138986	REAR AXLE SUPPORT	1		X X	NO LONGER AVAILABLE
6	AH112284	SEAL	2		X X	(SUB FOR AH112285)
7A	H146281	BUSHING	2		X X	(SUB FOR (2) H114473)
7B	H138410	BUSHING	2		X X	USE WITH WORN PIVOT ONLY (HEAT TREATED)
8	A50744	BOLT	2	-660201	X X	M8 X 25
9	14M7273	NUT	2	-660201	X X	M8
10	H151739	REINFORCEMENT	2		X X	(SUB FOR AH145980)
	H151739	REINFORCEMENT	2	660201-	X X	

5D23

FIXED REAR AXLE
HP3373 -UN-01JAN94



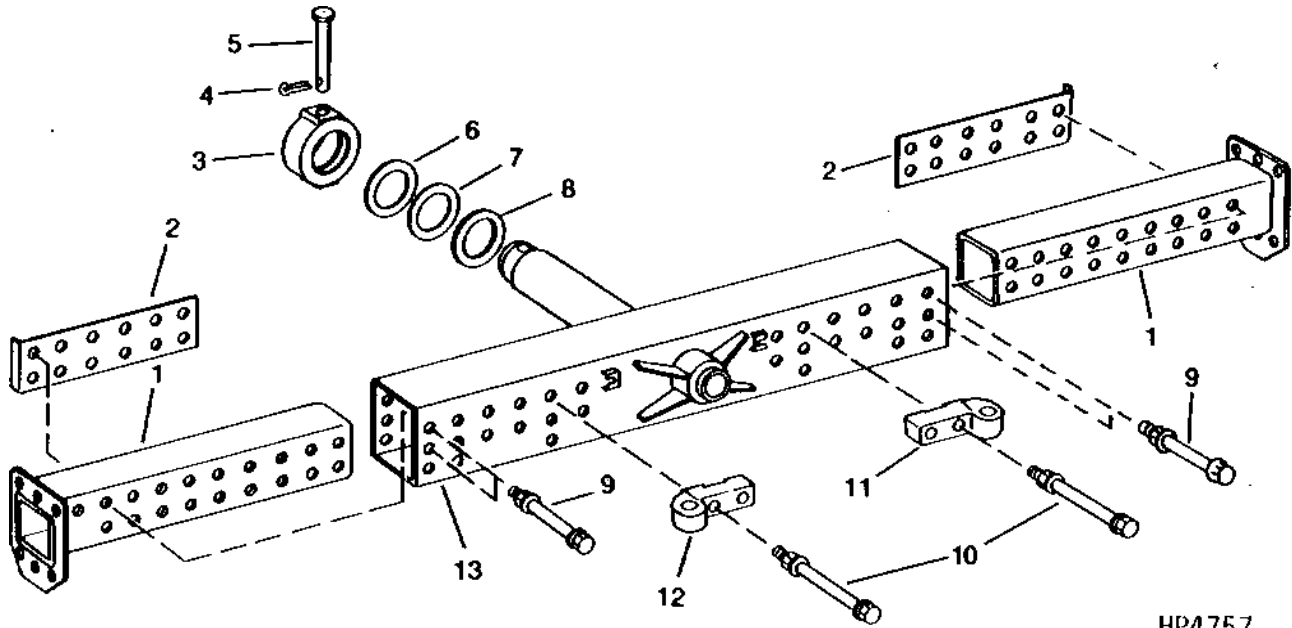
HP3373

KEY	PART NO.	PART NAME	QTY	SERIAL NO.	S H 9 5 0 0	REMARKS
1	AH130517	AXLE	1	-638494	X	(SUB AH134814)
	AH134814	AXLE	1		X	
2	H136115	SHIELD	2		X	(4-WHEEL DRIVE ONLY)
3	37M7086	SCREW	8		X	M10 X 20 (4-WHEEL DRIVE ONLY)
4	H134547	BUSHING	1		X	
5	11M7028	COTTER PIN	1		X	5 X 32 MM
6	H142107	PIN	1		X	20 X 180 MM (0.787" X 7.087") (SUB FOR 45M7082)
7	H129709	WASHER	AR		X	128 X 158 X 1.270 MM (5.039" X 6.220" X 0.050")
8	H115140	SHIM	AR		X	0.635 MM (0.025")
9	H134548	WASHER	1		X	128 X 158 X 3 MM (5.039" X 6.220" X 0.118")
..	C16071	SEALANT	1		X	

5D24

STEERING AND BRAKES

REAR AXLE, ADJUSTABLE
HP4757 -UN-01JAN94



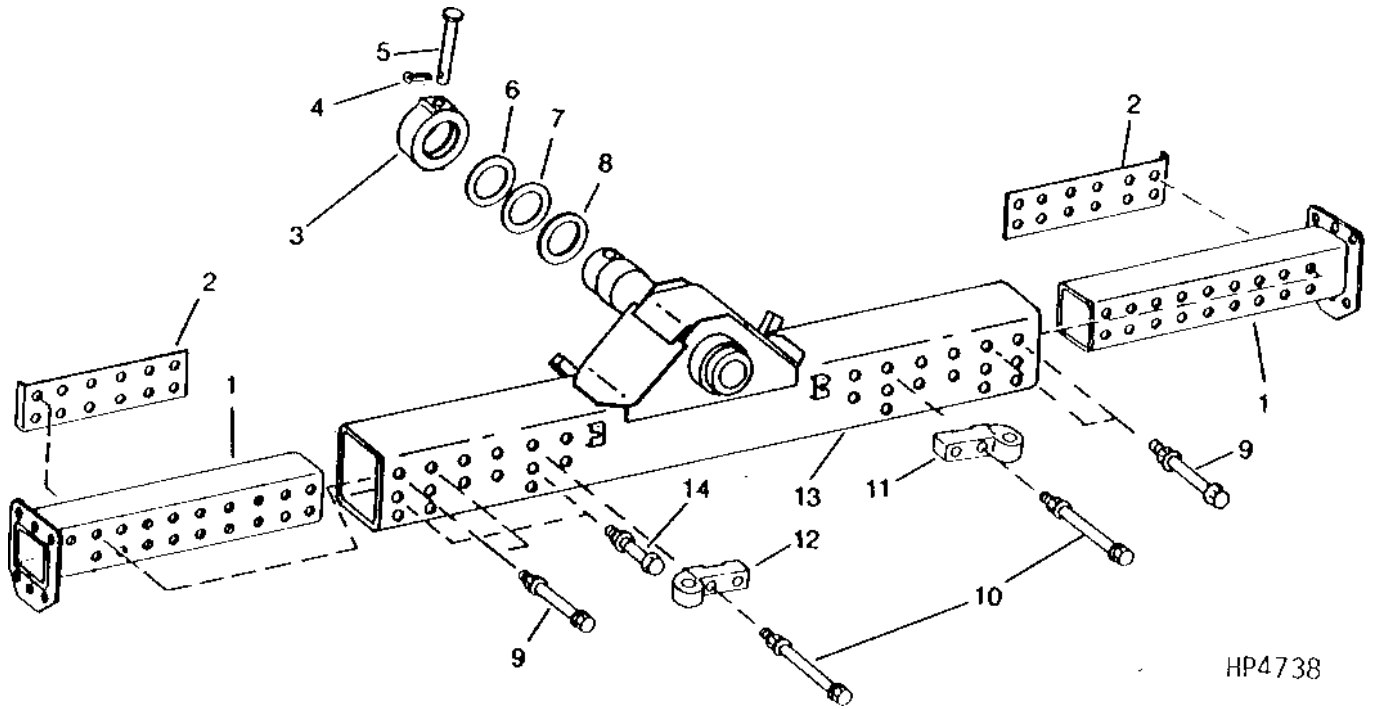
HP4757

KEY	PART NO.	PART NAME	QTY	SERIAL NO.	S	H	REMARKS
					9	9	
					5	5	
					0	0	
					0	0	
1	AH127599	TUBE	2		X		
2	H134549	PLATE	2		X		
3	H134547	BUSHING	1		X		
4	11M7028	COTTER PIN	1		X		5 X 32 MM
5	H142107	PIN	1		X		20 X 180 MM, (SUB FOR 45M7082)
6	H129709	WASHER	AR		X		128 X 158 X 1.270 MM (5.039" X 6.220" X 0.050")
7	H115140	SHIM	AR		X		0.635 MM (0.025")
8	H134548	WASHER	1		X		128 X 158 X 3 MM (5.039" X 6.220" X 0.118")
9	19M7853	SCREW	8	-665703	X		M20 X 150 (NON-POWERED)
	19M7921	CAP SCREW	8	665704-	X		M20 X 150 (NON-POWERED)
	19M7853	SCREW	4	-665703	X		M20 X 150, (4-WHEEL DRIVE)
	19M7921	CAP SCREW	4	665704-	X		M20 X 150, (4-WHEEL DRIVE)
	24M7242	WASHER	8	665704-	X		21.400 X 42 X 5 MM
	H121472	BOLT	4		X		M20 X 180 (4-WHEEL DRIVE) (CONVERSION)
	14M7300	FLANGE NUT	8		X		M20
10	19M7645	SCREW	4		X		M20 X 200
	14M7300	FLANGE NUT	4		X		M20
11	H130224	ANCHOR	1		X		(R.H.)
12	H130223	ANCHOR	1		X		(L.H.)
13	AH128864	REAR AXLE	1	-640200	X		(SUB AH134813)
	AH134813	REAR AXLE	1		X		

5D25

STEERING AND BRAKES

REAR AXLE, ADJUSTABLE (SIDEHILL)
 HP4738 -UN-01JAN94



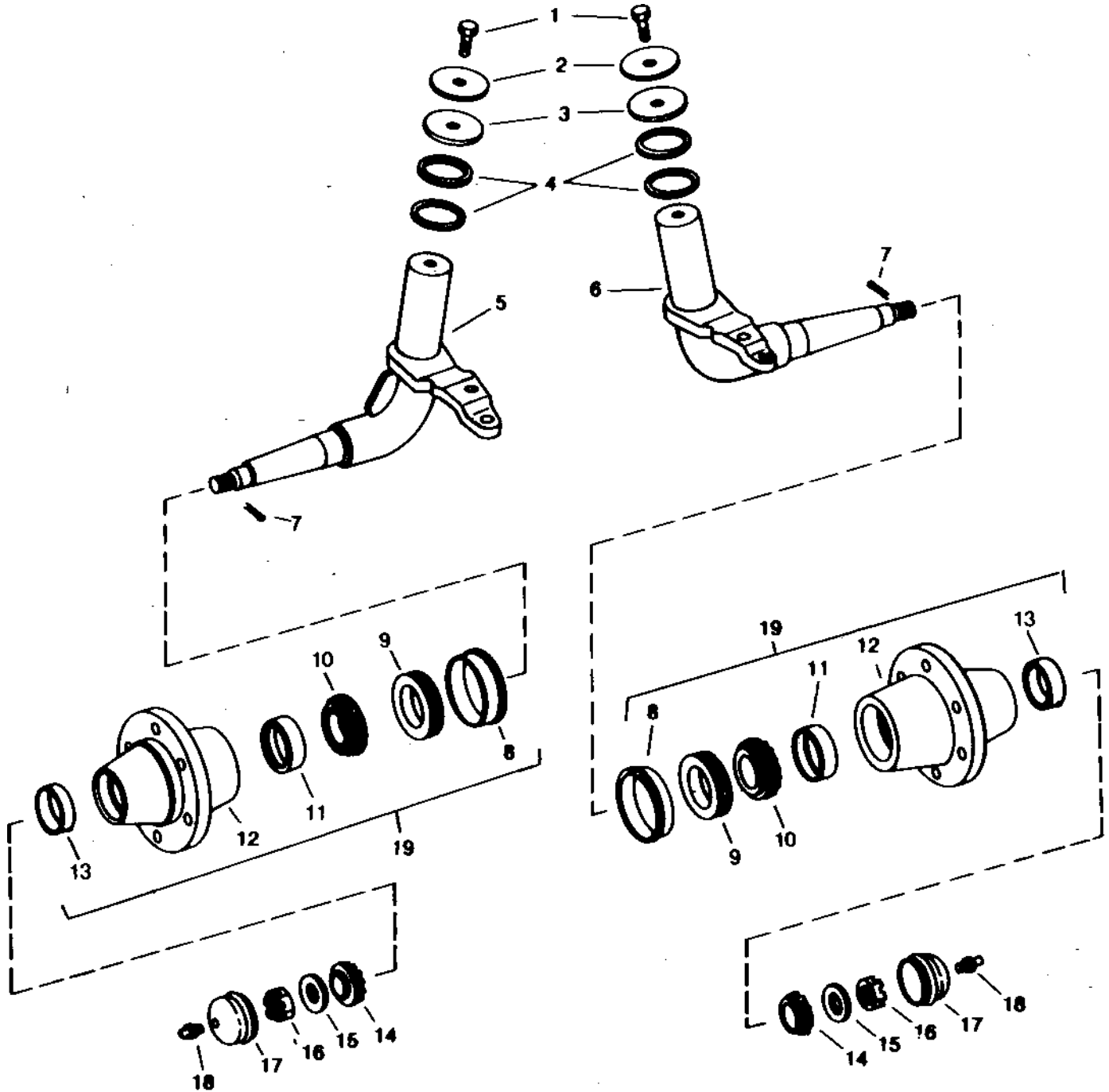
HP4738

KEY	PART NO.	PART NAME	QTY	SERIAL NO.	S	H	REMARKS
					9	9	
					5	5	
					0	0	
					0	0	
1	AH127599	TUBE	2		X		
2	H134549	PLATE	2		X		
3	H134547	BUSHING	1		X		
4	11M7028	COTTER PIN	1		X		5 X 32 MM
5	H142107	PIN	1		X		20 X 180 MM, (SUB FOR 45M7082)
6	H129709	WASHER	AR		X		128 X 158 X 1.270 MM (5.039" X 6.220" X 0.050")
7	H115140	SHIM	AR		X		0.635 MM (0.025")
8	H134548	WASHER	1		X		128 X 158 X 3 MM (5.039" X 6.220" X 0.118")
9	19M7853	SCREW	4		X		M20 X 150 (NON-POWERED)
	19M7853	SCREW	4		X		M20 X 150 (4-WHEEL DRIVE)
	14M7300	FLANGE NUT	8		X		M20
10	19M7645	SCREW	4		X		M20 X 200
	14M7300	FLANGE NUT	4		X		M20
11	H130224	ANCHOR	1		X		(R.H.)
12	H130223	ANCHOR	1		X		(L.H.)
13	AH135830	REAR AXLE	1		X		
14	H121472	BOLT	4		X		M20 X 180, MIDDLE ROW, HOLE 1 AND 5 (4-WHEEL DRIVE ONLY)
	19M7853	SCREW	4		X		M20 X 150, MIDDLE ROW, HOLE 1 AND 5 (NON-POWERED ONLY)
	14M7300	FLANGE NUT	4		X		M20

MEMORANDA

5E1

REAR AXLE SPINDLES
(FIXED AND ADJUSTABLE REAR AXLE)
HP5915 -UN-14FEB95



HP5915

5E2

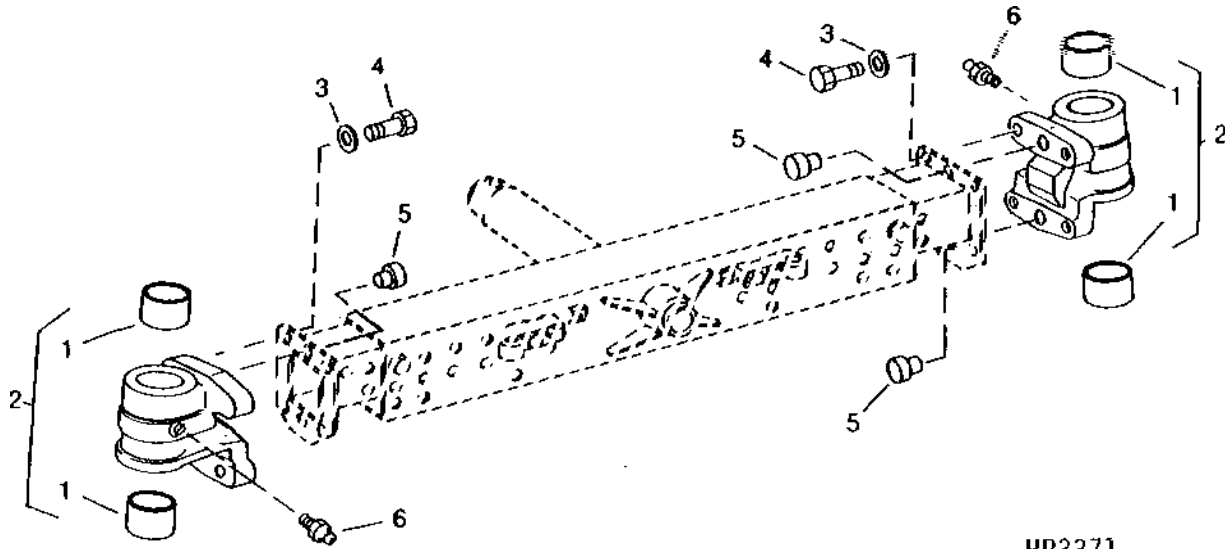
STEERING AND BRAKES

REAR AXLE SPINDLES - CONTINUED (FIXED AND ADJUSTABLE REAR AXLE)

KEY	PART NO.	PART NAME	QTY	SERIAL NO.	S H 9 5 0 0 0 0	REMARKS
1	19H1895	CAP SCREW	2		X X	1/2" X 3/4"
2	24H1916	WASHER	2		X X	17/32" X 3-1/2" X 0.180"
3	H96869	CAP	2		X X	
4	H102206	THRUST BEARING	4		X X	
5	AH125654	SPINDLE	1		X X	(L.H.)
6	AH125655	SPINDLE	1		X X	(R.H.)
7	11M7030	COTTER PIN	2		X X	5 X 40 MM
8	H94951	SLEEVE	2		X X	97.688 X 100.127 X 15.875 MM (3.846" X 3.942" X 5/8")
9	AH93892	SEAL	2		X X	
10	JD8952	BEARING	2		X X	
11	JD8258	BEARING CUP	2		X X	
12	HUB	2		X X	(SUB AH130871)
13	JD8237	BEARING CUP	2		X X	
14	JD8902	BEARING CONE	2		X X	
15	R30399	WASHER	2		X X	26.187 X 57.150 X 6.350 MM (1-1/32" X 2-1/4" X 1/4")
16	14H920	NUT	2		X X	1"
17	H94950	CAP	2		X X	
18	JD7759	LUBRICATION FITTING	2		X X	STRAIGHT, 1/8"
19	AH130871	HUB	2		X X	(INCLUDES H94951, JD8258 AND JD8237) (SUB AH162573)
..	AH162573	HUB	2		X X	
..	C16071	ADHESIVE	1		X X	(NO LONGER AVAILABLE)

5E3

**REAR AXLE SPINDLE HOUSING
(FIXED AND ADJUSTABLE REAR AXLE)**
HP3371 -UN-01JAN94



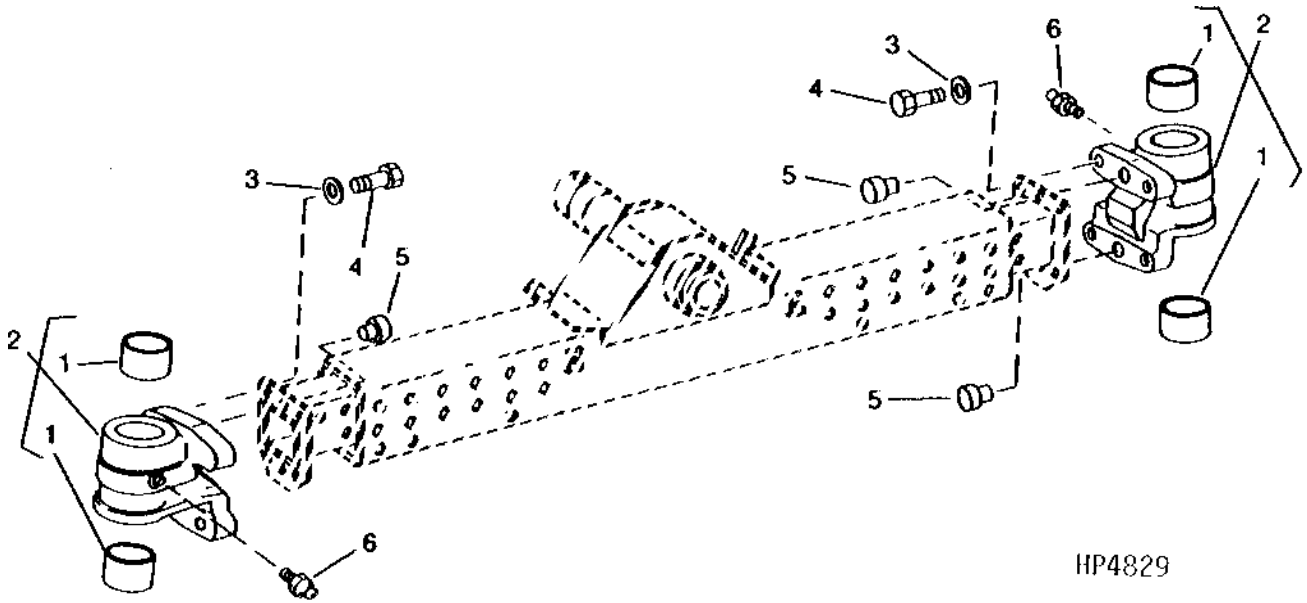
HP3371

KEY	PART NO.	PART NAME	QTY	SERIAL NO.	S H 9 5 0 0 0 0	REMARKS
1	H94946	BUSHING	4		X	
2	AH126808	HOUSING	2		X	
3	H132383	WASHER	1	-638259	X	20 X 45 X 10 MM (0.787" X 1.772" X 0.394") (SUB H144293)
	H144293	WASHER	1		X	20 X 45 X 10 MM (0.787" X 1.772" X 0.394")
4	H86161	BOLT	8	-643457	X	19.050 X 57.150 MM (3/4" X 2-1/4")
	19H3126	CAP SCREW	8	643458-	X	19.050 X 57.150 MM (3/4" X 2-1/4")
	H75423	PIN	4		X	22.073 X 19.812 MM (0.869" X 0.780")
6	JD7759	LUBRICATION FITTING	2		X	

5E4

ADJUSTABLE REAR AXLE SPINDLE HOUSING (SIDEHILL)

HP4829 -UN-01JAN94

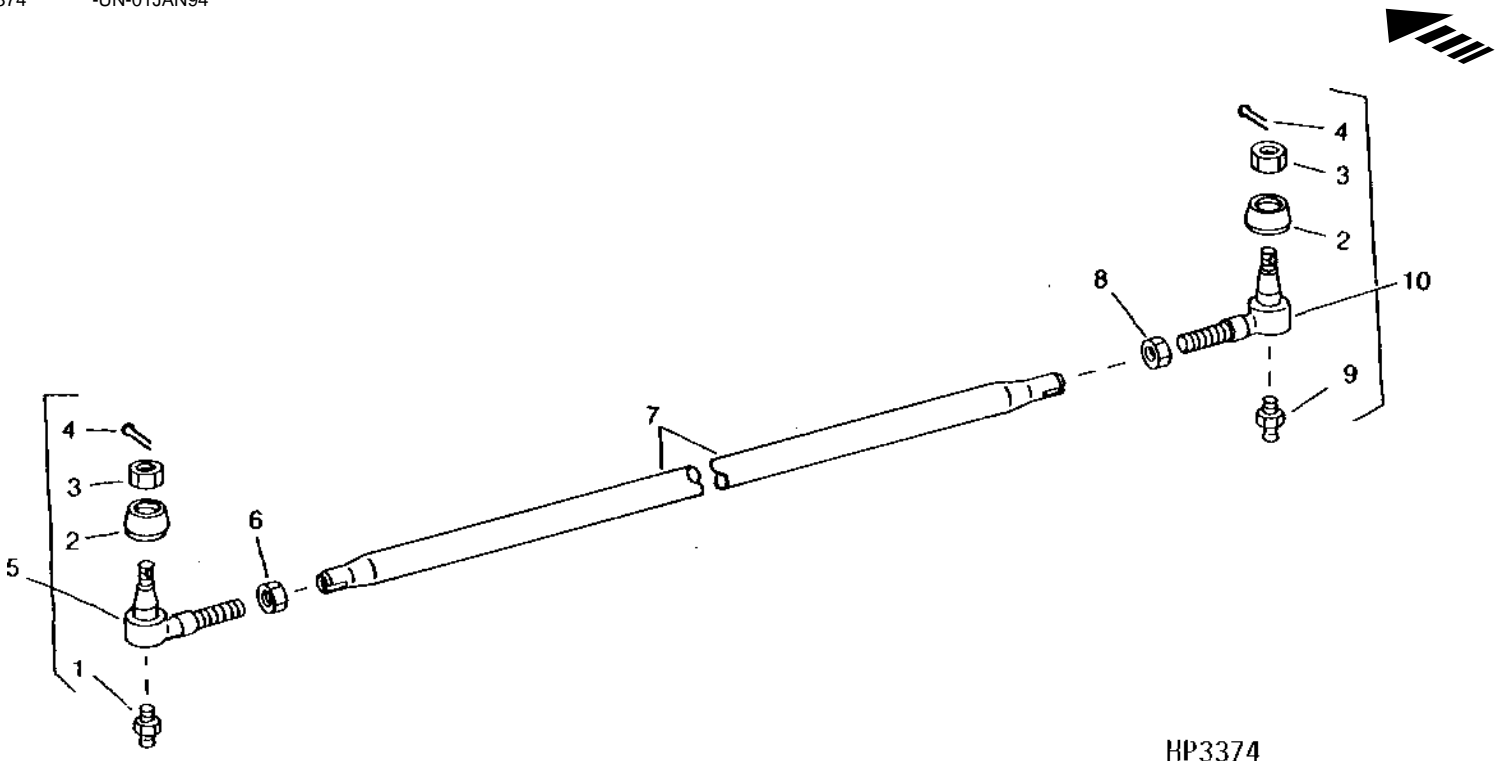


HP4829

KEY	PART NO.	PART NAME	QTY	SERIAL NO.	S H 9 9 5 5 0 0 0 0	REMARKS
1	H94946	BUSHING	4		X	
2	AH126808	HOUSING	2		X	
3	H144293	WASHER	8		X	20 X 45 X 10 MM (0.787" X 1.772" X 0.394")
4	19H3126	CAP SCREW	8		X	3/4" X 2-1/4"
5	H75423	PIN	4		X	22.073 X 19.812 MM (0.869" X 0.780")
6	JD7759	LUBRICATION FITTING	2		X	

5E5

STEERING TIE RODS
(FIXED REAR AXLE)
(NON-POWERED)
HP3374 -UN-01JAN94



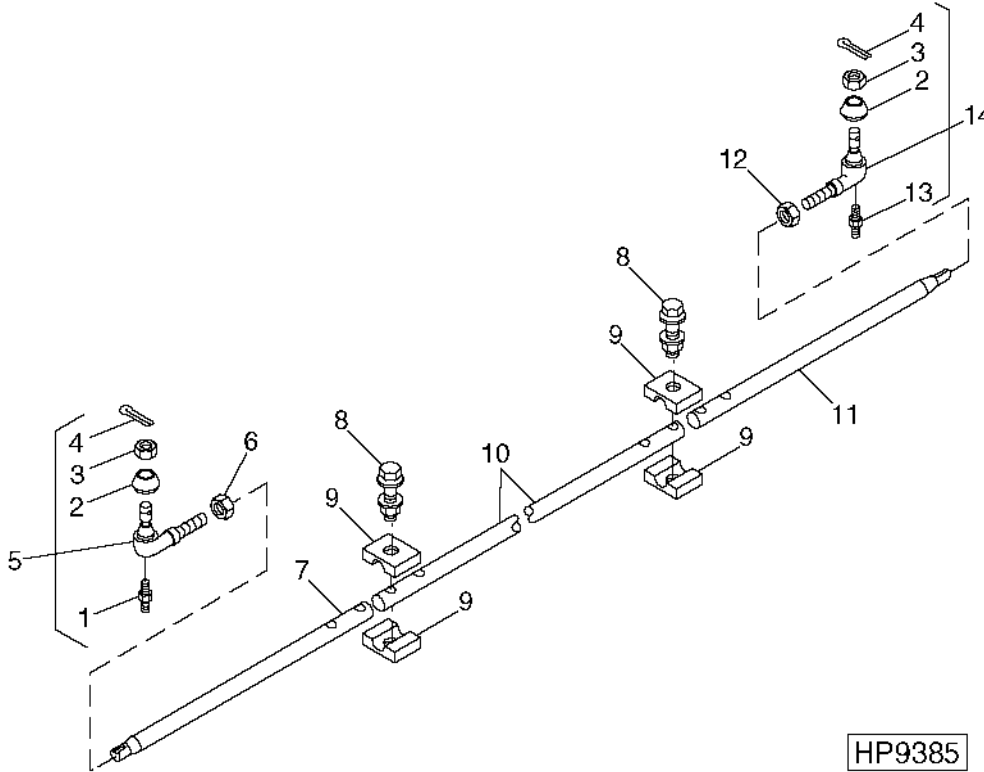
HP3374

KEY	PART NO.	PART NAME	QTY	SERIAL NO.	S H 9 5 0 0 0	REMARKS
1	JD7797	LUBRICATION FITTING	1		X	90° X 19.050 MM LONG (3/4" LONG) (RH)
2	R78027	COVER	2		X	(TRW ONLY)
3	14H902	NUT	2		X	3/4"
4	11M7092	COTTER PIN	2		X	3.200 X 40 MM
5	RE12326	TIE ROD END	1		X	(L.H.THREAD)
6	R78026	NUT	1		X	28.575 MM (1-1/8") (L.H.)
7	H134557	TUBE	1		X	CAN BE REVERSED IN INSTALLATION. FIT TIE ROD END BY LEFT HAND OR RIGHT HAND THREAD
8	R78025	LOCK NUT	1		X	28.575 MM (1-1/8") (R.H.)
9	JD7806	LUBRICATION FITTING	1	-642858	X	90° X 19.050 MM LONG (3/4" LONG) (R.H.)
	JD7788	LUBRICATION FITTING	1	642859-	X	
10	RE12325	TIE ROD END	1		X	(R.H THREAD)

MEMORANDA

5E6

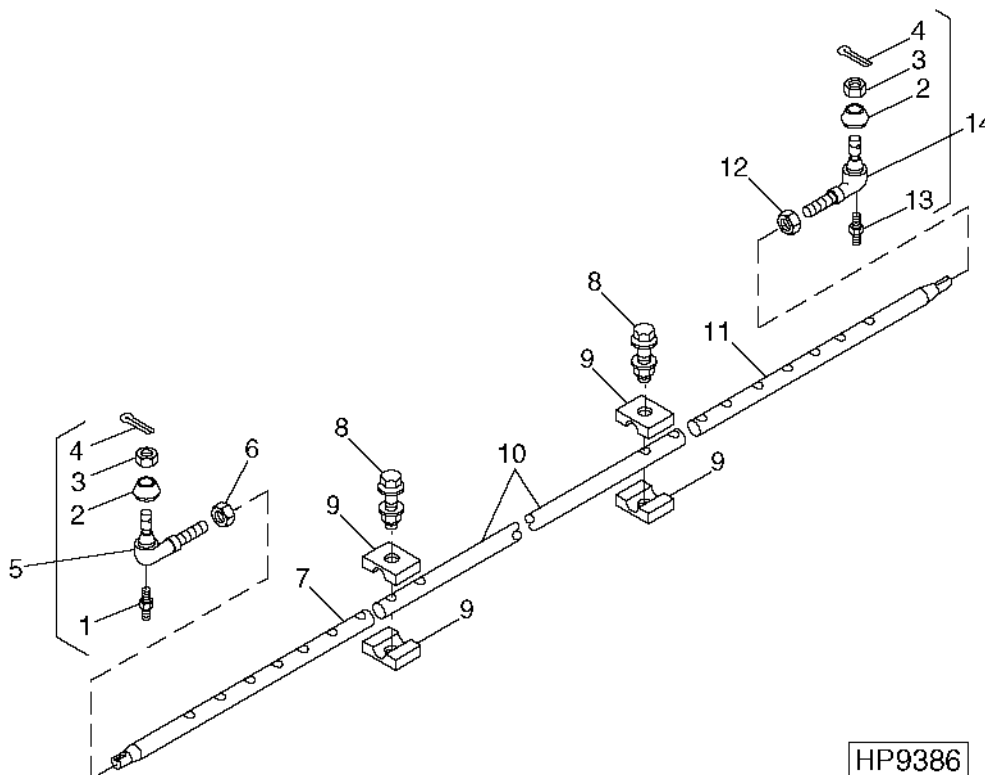
STEERING TIE RODS
(FIXED REAR AXLE)
(4-WHEEL DRIVE)
HP9385 -UN-03DEC99



S
H
9 9
5 5
0 0
0 0

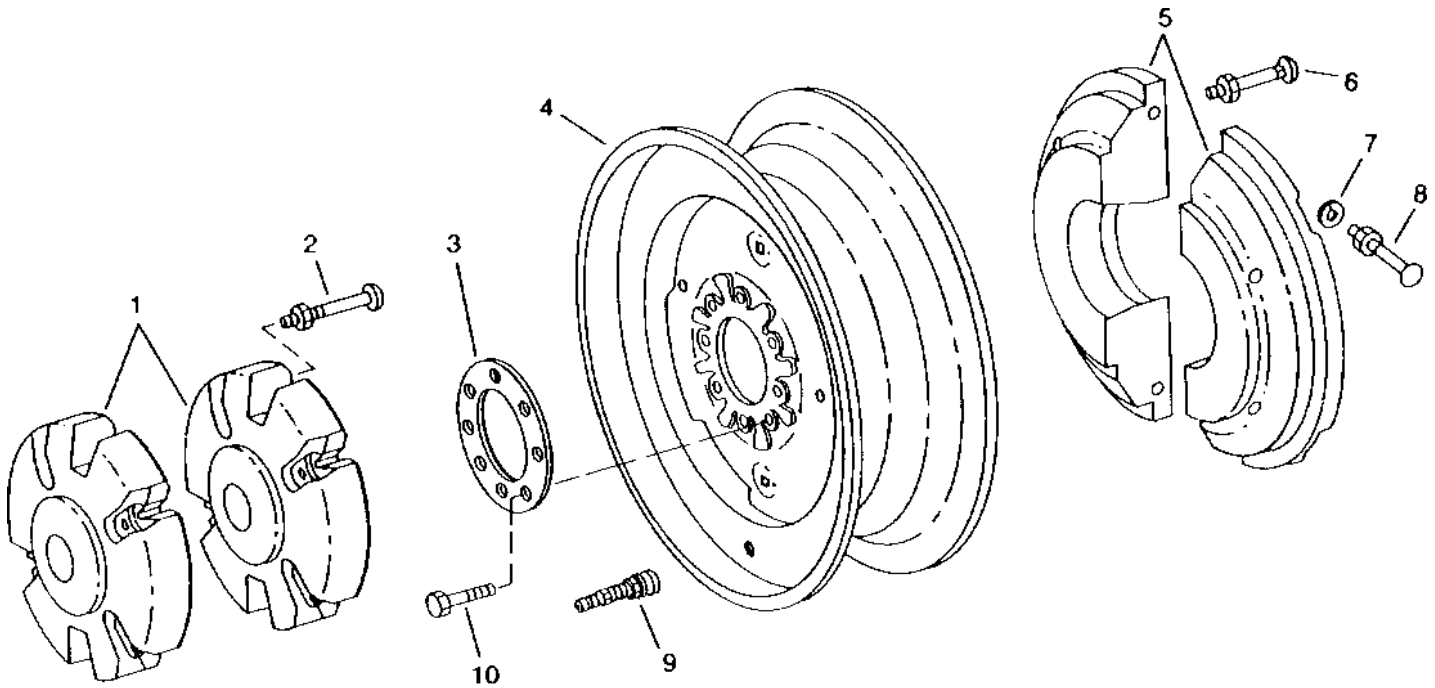
KEY	PART NO.	PART NAME	QTY	SERIAL NO.	REMARKS
1	JD7797	LUBRICATION FITTING	1	X	
2	R78027	COVER	2	X	(TRW ONLY)
3	14H902	NUT	2	X	3/4"
4	11M7092	COTTER PIN	2	X	3.200 X 40 MM
5	RE12326	TIE ROD END	1	X	(L.H.THREAD)
6	R78026	NUT	1	X	28.575 MM (1-1/8") (L.H.)
7	H136335	TUBE	1	X	(L.H.)
8	19M7837	SCREW	4	-635216	M12 X 110, (SUB 19M7820)
	19M7820	SCREW	4	X	M12 X 100
	A31867	LOCK NUT	4	-635216	M12, (SUB 14M7401)
	14M7401	LOCK NUT	4	X	M12, 90° X 19.050 MM LONG (3/4" LONG)
9	H134550	CLAMP	8	-635216	(SUB H139807)
	H139807	CLAMP	8	X	
10	H130225	TUBE	1	-636299	X
	H140382	TUBE	1	636300-	X
11	H136334	TUBE	1	X	(R.H.)
12	R78025	LOCK NUT	1	X	(R.H.)
13	JD7806	LUBRICATION FITTING	1	-642858	X
	JD7788	LUBRICATION FITTING	1	642859-	X
14	RE12325	TIE ROD END	1	X	(R.H.THREAD)

STEERING TIE RODS
(ADJUSTABLE REAR AXLE)
(NON-POWERED AND 4-WHEEL DRIVE REAR AXLE)
 HP9386 -UN-03DEC99



KEY	PART NO.	PART NAME	QTY	SERIAL NO.	S H 9 9 5 5 0 0 0 0	REMARKS
1	JD7797	LUBRICATION FITTING	1		X X	
2	R78027	COVER	2		X X	(TRW ONLY)
3	14H902	NUT	2		X X	3/4"
4	11M7092	COTTER PIN	2		X X	3.200 X 40 MM
5	RE12326	TIE ROD END	1		X X	(L.H.THREAD)
6	R78026	NUT	1		X X	28.575 MM (1-1/8") (L.H.)
7	H130227	TUBE	1		X X	(L.H.)
8	19M7837	SCREW	4	-635216	X	M12 X 110, (SUB 19M7820)
	19M7820	SCREW	4		X X	M12 X 100
	A31867	LOCK NUT	4	-635216	X	M12, (SUB 14M7401)
	14M7401	LOCK NUT	4		X X	M12, 90° X 19.050 MM LONG (3/4" LONG)
9	H134550	CLAMP	8	-635216	X	(SUB H139807)
	H139807	CLAMP	8		X X	
10	H130225	TUBE	1	-636299	X	(SUB H140382) (CENTER) (NON-POWERED REAR AXLE)
	H140382	TUBE	1		X X	(CENTER) (NON-POWERED REAR AXLE)
	H130226	TUBE	1	-635216	X	(SUB H140383) (CENTER) (4-WHEEL DRIVE REAR AXLE)
	H140383	TUBE	1		X X	(CENTER) (4-WHEEL DRIVE REAR AXLE)
11	H130228	TUBE	1		X X	(R.H.)
12	R78025	LOCK NUT	1		X X	28.575 MM (1-1/8") (R.H.)
13	JD7806	LUBRICATION FITTING	1	-642858	X	90° X 19.050 MM LONG (3/4" LONG)
	JD7788	LUBRICATION FITTING	1	642859-	X X	
14	RE12325	TIE ROD END	1		X X	(R.H.THREAD)

REAR WHEELS AND WHEEL WEIGHTS
HP3379 -UN-01JAN94



HP3379

REAR WHEELS AND WHEEL WEIGHTS - CONTINUED

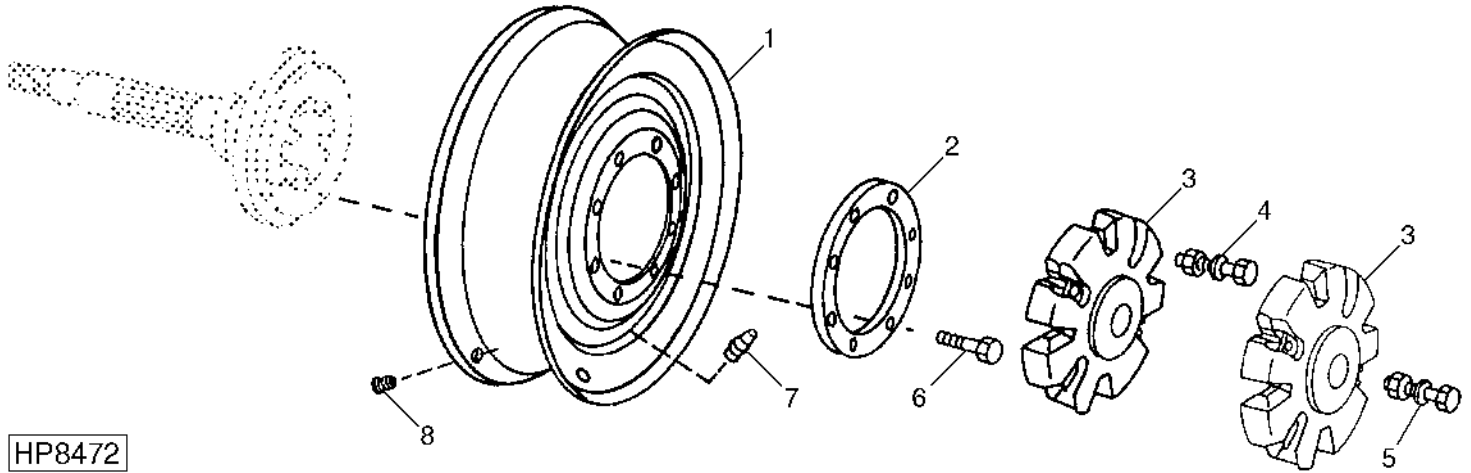
KEY	PART NO.	PART NAME	QTY	SERIAL NO.	S H 9 9 5 5 0 0 0 0	REMARKS
1	H103543	WEIGHT	AR		X X	OUTSIDE (OPTIONAL) (USE 1 OR 2)
2	03H1858	BOLT	4		X X	5/8" X 3-1/2"
	12H294	LOCK WASHER	4		X X	5/8"
	14H760	NUT	4	-642858	X	5/8", (SUB 14H1039)
	14H1039	NUT	4		X X	5/8"
3	H84375	RING	1		X X	
4	AH117662	WHEEL	1		X X	(USE WITH 11.2X24 OR 11.0X24 TIRES)
	AH122100	WHEEL	1		X X	(USE WITH 14.9X24 TIRES)
	AH138809	WHEEL	1		X X	(USE WITH 18.4 X 30 TIRES)
	AH144695	WHEEL	1	660201-	X X	(SUB AH167584) (USE WITH 28L X 26 TIRES)
	AH167584	WHEEL	1		X X	
	AH167434	WHEEL	1		X X	(SUB FOR AH135217) (USE WITH 16.9 X 26 X 10 TIRES)
5	H95547	WEIGHT	2		X X	INSIDE (OPTIONAL)
6	03H1605	BOLT	4		X X	5/8" X 4" (WITH INSIDE WEIGHTS)
	03H1860	BOLT	4		X X	5/8" X 6" (WITH INSIDE AND OUTSIDE WEIGHTS)
	12H294	LOCK WASHER	4		X X	5/8"
	14H1039	NUT	4		X X	5/8"
7	24H1111	WASHER	2		X X	17/32" X 1-1/16" X 0.090"
8	03H1852	BOLT	2		X X	1/2" X 4"
	12H301	LOCK WASHER	2		X X	1/2"
	14H809	NUT	2	-651191	X X	1/2", (SUB 14H1040)
	14H1040	NUT	2		X X	1/2"
9	AT25226	TIRE VALVE STEM	1		X X	(USE WITH TUBELESS TIRES)
10	19H3343	CAP SCREW	4		X X	5/8" X 2"
	H163491	CAP SCREW	4	4AUG97-	X X	5/8" X 2.244", (USE WITH 16.9 X 26 WHEEL)
..	H116641	LABEL	2	-641153	X	"IMPORTANT" WHEEL BOLT TORQUE, (SUB H145995)
..	H145995	LABEL	2		X X	"IMPORTANT" WHEEL BOLT TORQUE
..	H150646	DECAL	2	660201-	X X	"IMPORTANT" 15 PSI (28L X 26-10 OR 12 PLY TIRE) (68 X 50-32 16 PLY TIRE)
..	H174266	LABEL	2	660201-	X X	(SUB FOR H151575) "IMPORTANT" ON AXLE STOP (28L X 26-10 OR 12 PLY TIRE)
..	H111541	LABEL	2		X X	"IMPORTANT" 40 PSI (275 KPA) (11.0 X 24-8 PLY TIRES)
..	H127073	LABEL	2		X	(FRENCH) "IMPORTANT" 40 PSI (275 KPA) (11.0 X 24-8 PLY TIRES)
..	H140709	LABEL	2		X X	"IMPORTANT" 26 PSI (180 KPA) (14.9 X 24-6 PLY TIRES)
..	H140749	LABEL	2		X	(FRENCH) "IMPORTANT" 26 PSI (180 KPA) (14.9 X 24-6 PLY TIRES)
..	H108604	LABEL	2		X X	"IMPORTANT" 20 PSI (140 KPA) (18.4 X 26-6 PLY TIRES) AND (18.4 X 30-6 PLY TIRES)
..	H127067	LABEL	2		X	(FRENCH) "IMPORTANT" 20 PSI (140 KPA) (18.4 X 26-6 PLY TIRES)
..	H127070	LABEL	2		X	(FRENCH) "IMPORTANT" 30 PSI (205 KPA) (16.9 X R26) AND (18.4 X R26) TIRES
..	H153728	LABEL	2	661618-	X	TIRE CLEARANCE (18.4 X 30 R2 TIRES ONLY)
..	H140710	LABEL	2		X	TIRE PRESSURE (16.9 X 26 X 10 TIRES) 34 PSI
..	BH71726	COMPLETE GOODS/SHIP. BUNDLE	1		X	WHEEL WEIGHTS - INSIDE
..	BH71727	COMPLETE GOODS/SHIP. BUNDLE	1		X	WHEEL WEIGHTS - OUTSIDE
..	BH71728	COMPLETE GOODS/SHIP. BUNDLE	1		X	WHEEL WEIGHTS - AUXILIARY
..	BH71735	COMPLETE GOODS/SHIP. BUNDLE	1		X	

NOTE: QUANTITIES SHOWN ARE FOR ONE UNIT. TWO UNITS USED PER MACHINE.

5E10

**REAR WHEELS
(4-WHEEL DRIVE / CAM LOBE MOTOR)**

HP8472 -UN-21APR99



HP8472

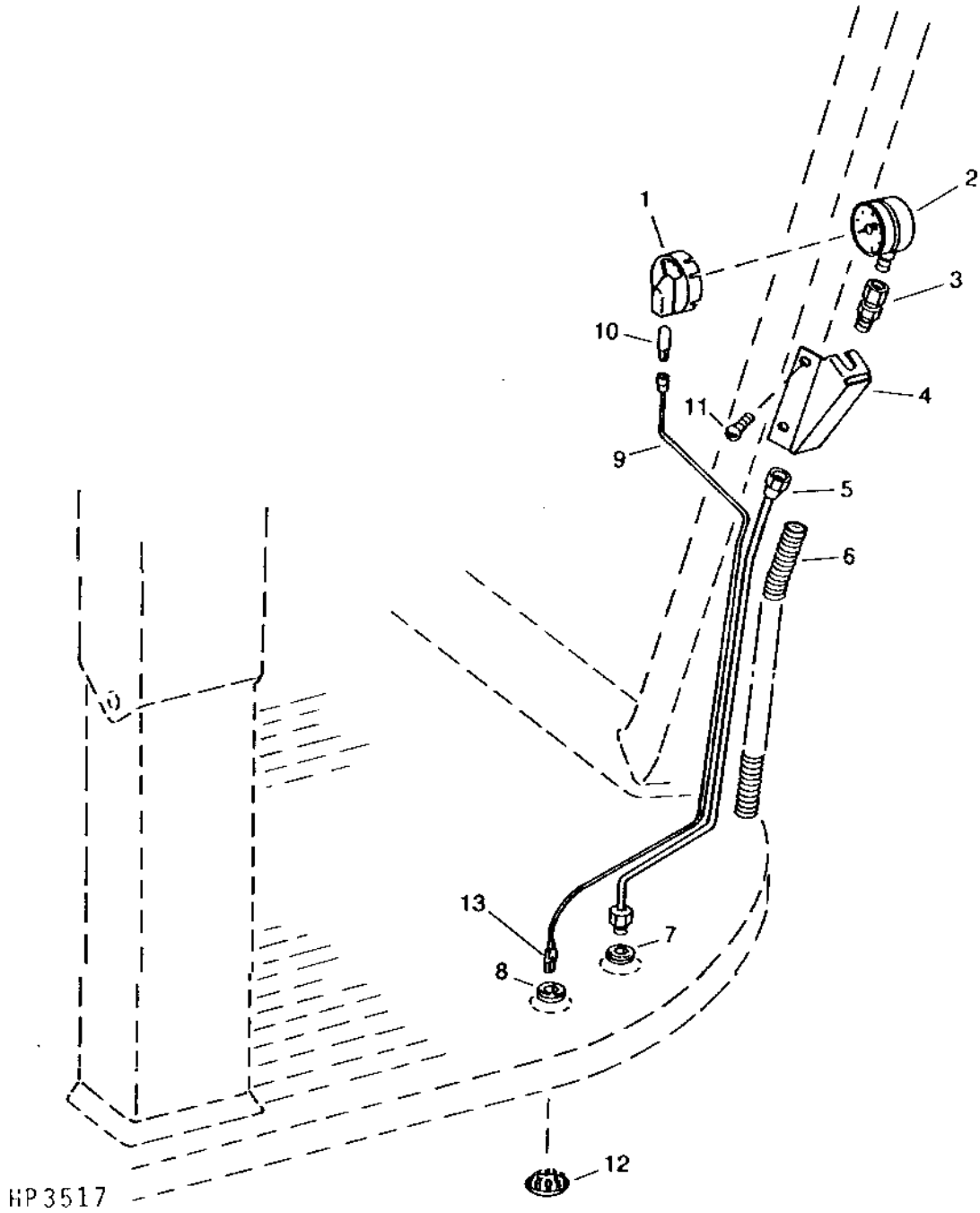
KEY	PART NO.	PART NAME	QTY	SERIAL NO.	S H 9 9 5 5 0 0 0 0	REMARKS
1	AH64610	WHEEL	1		X X	(SUB AH167582) DEMOUNTABLE (USE WITH 18.4X26 TIRE)
	AH167582	WHEEL CENTER	1		X X	
2	H84375	RING	1		X X	
3	H103543	WEIGHT	2		X X	(OPTIONAL)
4	03H2075	BOLT	4		X X	5/8" X 3"
	12H294	LOCK WASHER	4		X X	5/8"
	14H760	NUT	4		X X	5/8"
5	03H1858	BOLT	4		X X	5/8" X 3-1/2"
	12H294	LOCK WASHER	4		X X	5/8"
	14H760	NUT	4		X X	5/8"
6	19H3343	CAP SCREW	8		X X	5/8" X 2"
7	AT25226	TIRE VALVE STEM	1		X X	(USE WITH TUBELESS TIRES)
8	AH86866	PLUG	1		X X	(USE WITH TUBELESS TIRES)
..	H116641	LABEL	2	-641153	X	(SUB H145995) "IMPORTANT" WHEEL BOLT TORQUE
..	H145995	LABEL	2		X X	"IMPORTANT" WHEEL BOLT TORQUE
..	H108604	LABEL	2	-635200	X	"IMPORTANT" 20 PSI (140 KPA) (18.4 X 26 - 6 PLY)
..	BH71727	COMPLETE GOODS/SHIP. BUNDLE	1		X X	WHEEL WEIGHTS - OUTSIDE
..	BH71728	COMPLETE GOODS/SHIP. BUNDLE	1		X X	WHEEL WEIGHTS - AUXILIARY
..	BH71735	COMPLETE GOODS/SHIP. BUNDLE	1		X X	WHEEL WEIGHTS - OUTSIDE

NOTE: QUANTITIES SHOWN ARE FOR ONE UNIT. TWO UNITS USED PER MACHINE.

MEMORANDA

6C6

ACCUMULATOR PRESSURE GAUGE AND WIRING HARNESS
HP3517 -UN-01JAN94



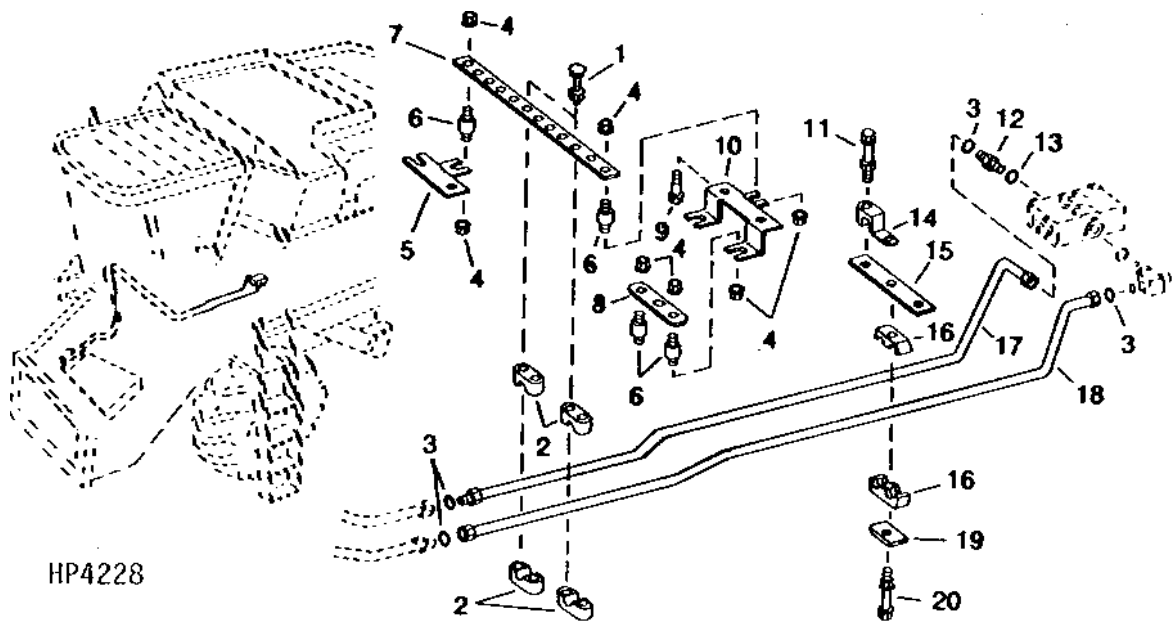
6C7

HYDRAULICS

ACCUMULATOR PRESSURE GAUGE AND WIRING HARNESS - CONTINUED

KEY	PART NO.	PART NAME	QTY	SERIAL NO.	S H 9 5 0 0	REMARKS
1	H111378	COVER	1		X X	
2	AH108080	PRESSURE GAUGE	1		X X	
3	AB18206	ADAPTER	1		X X	(WITH JAM NUT)
4	AH132832	BRACKET	1		X X	
5	AH132027	OIL LINE	1		X X	
6	H137523	CONDUIT	1		X X	
7	T65643	GROMMET	1		X X	
8	T63817	GROMMET	1		X X	
9	AH134205	WIRING LEAD	1		X X	
10	AH108380	BULB	1		X X	
11	H165691	SCREW	2		X X	M6 X 20, (SUB FOR H131591 OR H168780)
12	R32239	PLUG	2		X X	USE WITHOUT ACCUM. GAUGE
13	RE12363	CONNECTOR	1		X X	(PKG OF 3)
	R78048	TERMINAL NIPPLE	1		X X	(PKG OF 5)
..	BH80267	COMPLETE GOODS/SHIP. BUNDLE	1		X X	ACCUMULATOR WITH FLOAT INDICATOR

REEL DRIVE HYDRAULIC LINES AND HOSES, L.H. SIDE
HP4228 -UN-01JAN94



6C9

HYDRAULICS

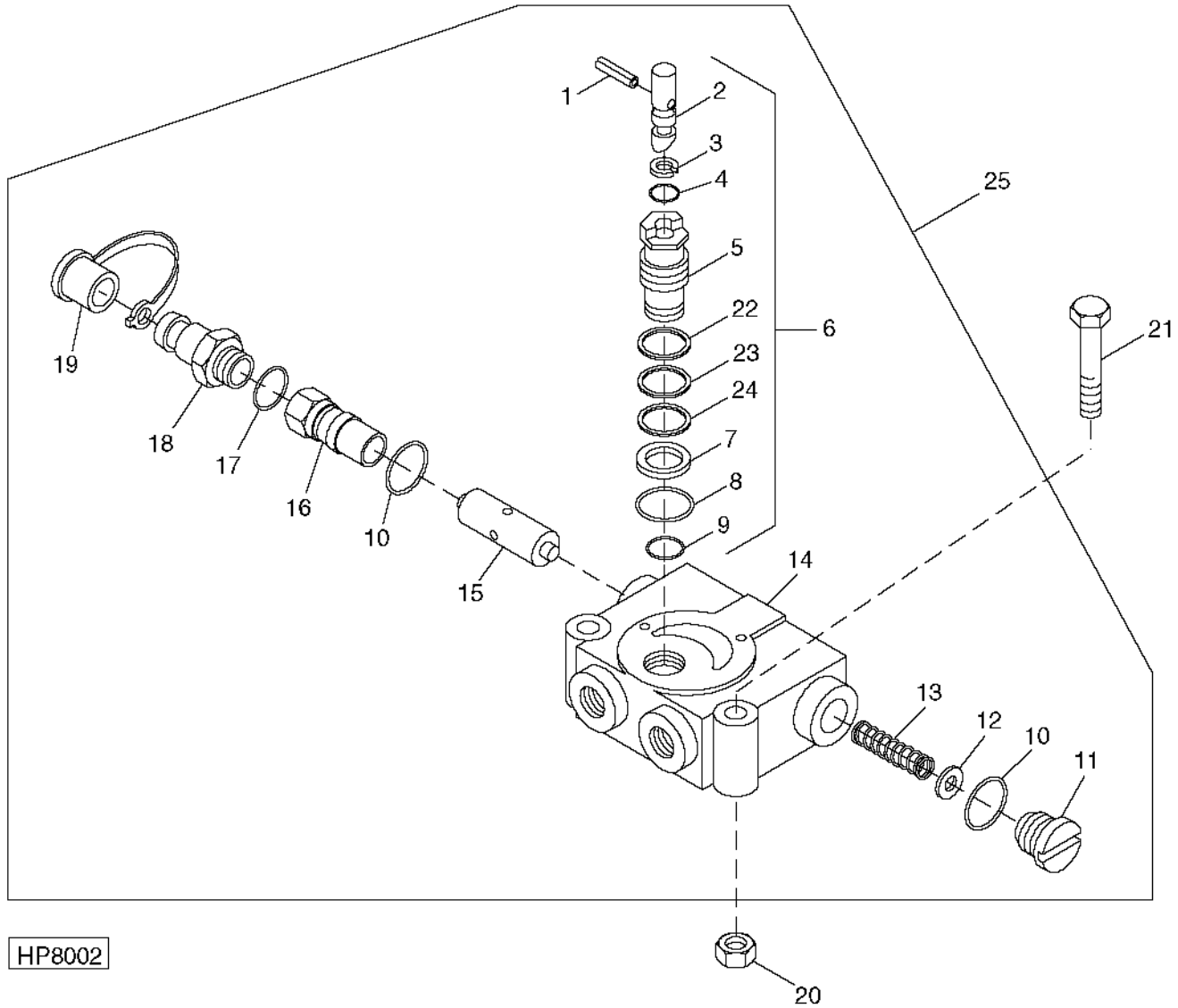
REEL DRIVE HYDRAULIC LINES AND HOSES, L.H. SIDE - CONTINUED

KEY	PART NO.	PART NAME	QTY	SERIAL NO.	S H 9 5 0 0	REMARKS
1	37M7102	SCREW	4	-631977	X	M8 X 40
	03M7189	BOLT	4	631978-660200	X X	M8 X 45
	14M7298	FLANGE NUT	4	631978-	X X	M8
	03M7245	BOLT	4	660201-	X X	M8 X 55
2	H115533	CLAMP	4		X X	
3	T77932	O-RING	4		X X	15.596 X 1.778 MM (0.614" X 0.070")
4	N10217	LOCK NUT	8		X X	6.350 MM (1/4")
5	H134427	BRACKET	1		X X	
6	AH126657	ISOLATOR	4		X X	
7	H134426	STRAP	1	-631977	X	
	H140298	STRAP	1	631978-	X X	
8	H134425	STRAP	1		X X	
9	37M7092	SCREW	4	-640200	X	M8 X 16
	37M7058	SCREW	4	640201-	X X	M8 X 20
10	H134424	BRACKET	1	-631977	X	
	H140298	STRAP	1	631978-	X X	
11	19M7801	SCREW	1		X X	M8 X 60
	14M7298	FLANGE NUT	1		X X	M8
12	38H1162	ADAPTER	1		X X	
13	R26906	O-RING	1		X X	19.177 X 2.464 MM (0.755" X 0.097")
14	H112162	CLAMP	1		X X	
15	H131163	STRAP	1	-638578	X	
16	H109046	CLAMP	1	-638578	X	
17	AH130209	HYDRAULIC LINE	1		X X	(PRESSURE)
18	AH131317	HYDRAULIC LINE	1		X X	(RETURN)
19	H121168	PLATE	1	-638578	X	
20	19M8318	SCREW	1	-638578	X	M8 X 45
	14M7298	FLANGE NUT	1	-638578	X	M8

6C10

HYDRAULICS

REEL DRIVE FLOW CONTROL VALVE
HP8002 -UN-02MAR99



HP8002

6C11

HYDRAULICS

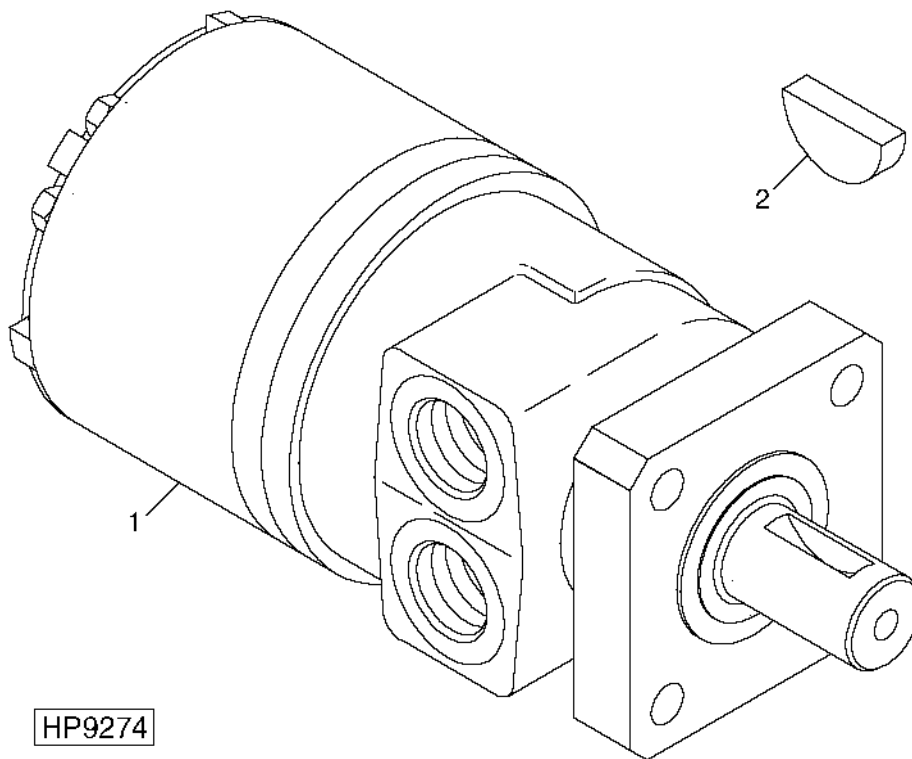
REEL DRIVE FLOW CONTROL VALVE - CONTINUED

KEY	PART NO.	PART NAME	QTY	SERIAL NO.	S H 9 5 0 0	REMARKS
1	GROOVE PIN	1		X X	
2	STEM	1		X X	
3	BACK-UP RING	1		X X	(A)
4	O-RING	1		X X	(A)
5	PLUG	1		X X	
6	AH140903	KIT	1		X X	(SUB FOR AH129323 OR AH136203)
7	BACK-UP RING	1		X X	(A)
8	O-RING	1		X X	(A)
9	O-RING	1		X X	(A)
10	H63289	O-RING	2		X X	(A) 20.295 X 2.616 MM
11	PLUG	1		X X	
12	SHIM	1		X X	
13	SPRING	1		X X	
14	HOUSING	1		X X	
15	SPOOL	1		X X	
16	PLUG	1		X X	
17	R26448	O-RING	1		X X	(A) 11.887 X 1.981 MM
18	AH125760	HYD. QUICK-CONNECT COUPLER	1		X X	DIAGNOSTIC
19	R77175	COVER	1		X X	
20	14M7298	FLANGE NUT	2		X X	M8
21	19M7801	SCREW	2		X X	M8 X 60
22	SHIM	AR		X X	
23	SHIM	AR		X X	
24	SHIM	AR		X X	
25	AH140902	CHECK VALVE	1		X X	(SUB FOR AH130180 OR AH136202)
..	AH136248	SEAL KIT	1		X X	(SUB FOR AH81167) INCLUDES PARTS MARKED (A)

6C12

CHAFF SPREADER MOTOR

(655929-)
 HP9274 -UN-16NOV99



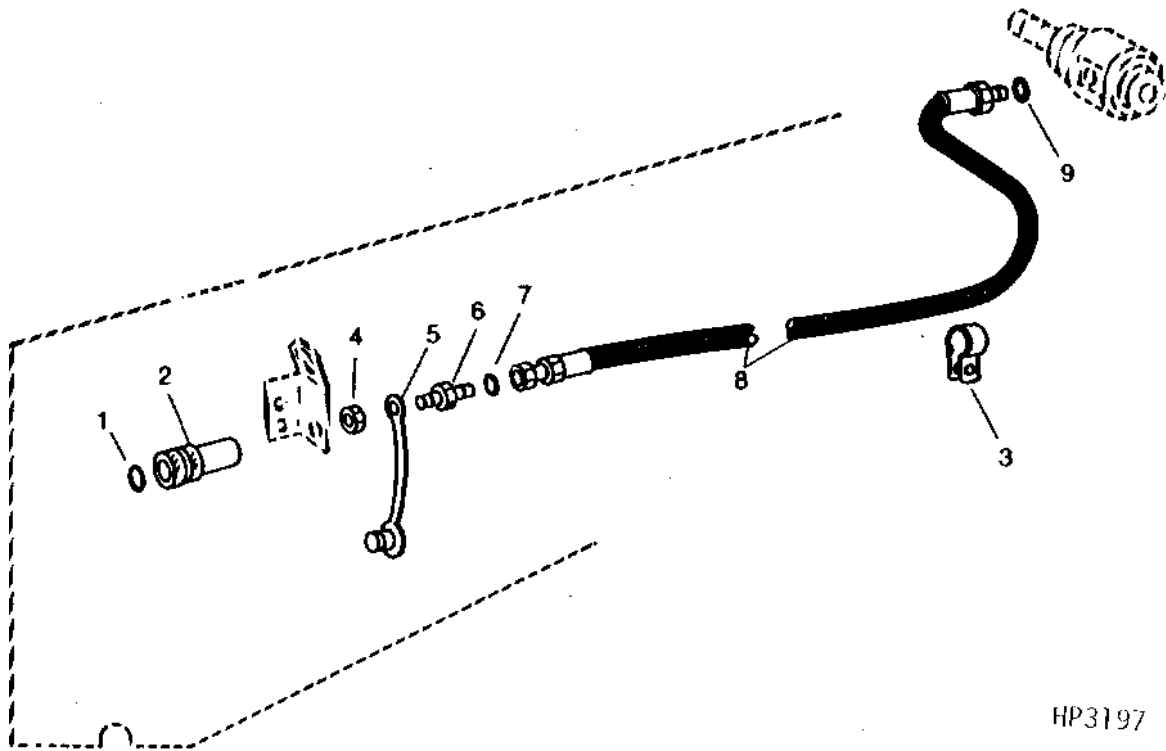
S
 H
 9 9
 5 5
 0 0
 0 0

KEY	PART NO.	PART NAME	QTY	SERIAL NO.	REMARKS
1	AH141858	MOTOR	1	X X	(SUB FOR AH127887)
2	26H22	SHAFT KEY	1	X X	
..	AH131089	SEAL KIT	1	X X	USE WITH TRW ROSS MOTOR AH127887
..	AH144831	SEAL KIT	1	X X	USE WITH EATON MOTOR AH141858

6C13

HYDRAULICS

FEEDER HOUSE VARIABLE DRIVE HYDRAULIC HOSE
 HP3197 -UN-01JAN94



HP3197

KEY	PART NO.	PART NAME	QTY	SERIAL NO.	S H 9 9 5 5 0 0 0 0	REMARKS
1	R26375	O-RING	1		X X	16.358 X 2.210 MM (0.644" X 0.087")
2	AH75167	HYD. QUICK-CONNECT COUPLER	1		X X	(INCLUDES INTERNAL O-RING)
3	AH78125	CLIP	1	-16FE98	X X	(USE EXISTING HARDWARE)
	T27523	CLAMP	1	16FE98-	X X	
4	T81029	NUT	1		X X	17.475 MM (11/16")
5	H125403	PLUG	1		X X	
6	AH121643	ORIFICE	1		X X	
7	T77613	O-RING	1		X X	9.246 X 1.778 MM (0.364" X 0.070")
8	AH131332	HYDRAULIC HOSE	1	-16FE98	X X	1/4" ID X 900MM(35-1/2")
	AH156388	HYDRAULIC HOSE - FABRICATE	1	16FE98-	X X	6.35MM ID X 1115MM LONG X 7/16-20
9	R28782	O-RING	1		X X	8.915 X 1.829 MM (0.351" X 0.072")
..	BH79019	COMPLETE GOODS/SHIP. BUNDLE	1		X X	HEADER CONVERSION KIT (1984-1987)
..	BH81390	COMPLETE GOODS/SHIP. BUNDLE	1		X X	RETROFIT BUNDLE - NARROW FEEDER HOUSE
..	BH81446	COMPLETE GOODS/SHIP. BUNDLE	1		X X	RETROFIT BUNDLE - NARROW FEEDER HOUSE (CONTOUR MASTER)

6C15

HYDRAULICS

FEEDER HOUSE COOLER LUBE OIL PUMP - CONTINUED

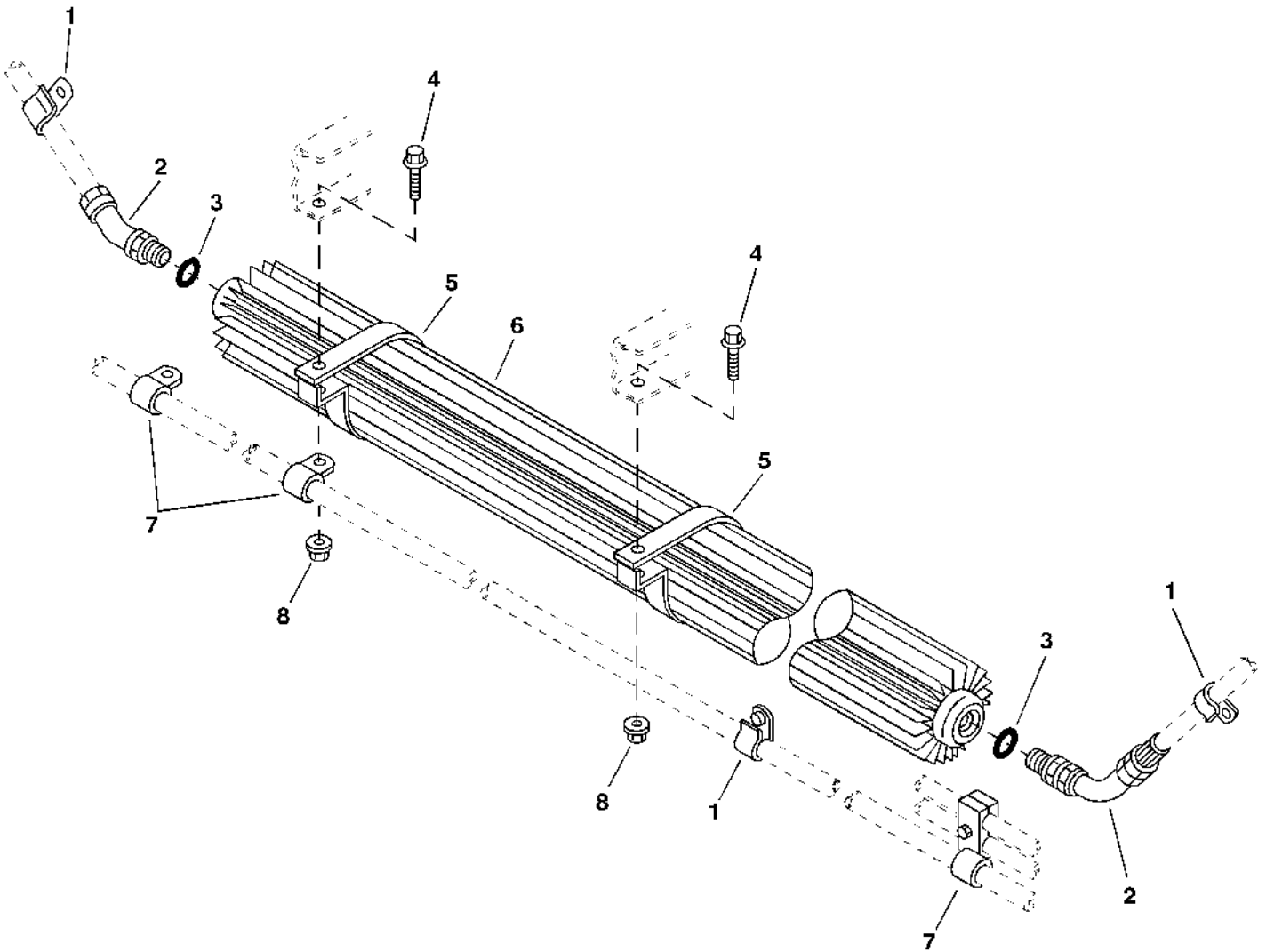
KEY	PART NO.	PART NAME	QTY	SERIAL NO.	S H 9 5 0 0	REMARKS
1	AH151522	HYDRAULIC HOSE	2		X X	PRESSURE
2	T77613	O-RING	4		X X	
3	38H1522	ELBOW FITTING	1		X X	
4	R26375	O-RING	1		X X	
5	14M7298	FLANGE NUT	2		X X	M8
6	19M7798	SCREW	2		X X	M8 X 40
7	AH148416	OIL PUMP	1		X X	
8	H157594	BRACKET	1		X X	
9	R26906	O-RING	1		X X	
10	38H1162	ADAPTER	1		X X	
11	T77932	O-RING	2		X X	
12	AH151521	HYDRAULIC HOSE	1		X X	SUCTION
13	22M7027	SET SCREW	2		X X	M6 X 16
14	24H1226	WASHER	3		X X	1/2" X 1-1/4" X 0.083"
15	AH151301	CHAIN SPROCKET	1		X X	12 TEETH
16	N85298	SHAFT KEY	1		X X	
17	03M7192	BOLT	3		X X	M10 X 30
18	14M7296	FLANGE NUT	3		X X	M10
19	14M7272	NUT	2		X X	M6
..	BH81311	COMPLETE GOODS/SHIP. BUNDLE	1		X X	GEARBOX COOLER

6C16

HYDRAULICS

FEEDER HOUSE GEARCASE OIL COOLER

HP6649 -UN-20MAR97



HP6649

6C17

HYDRAULICS

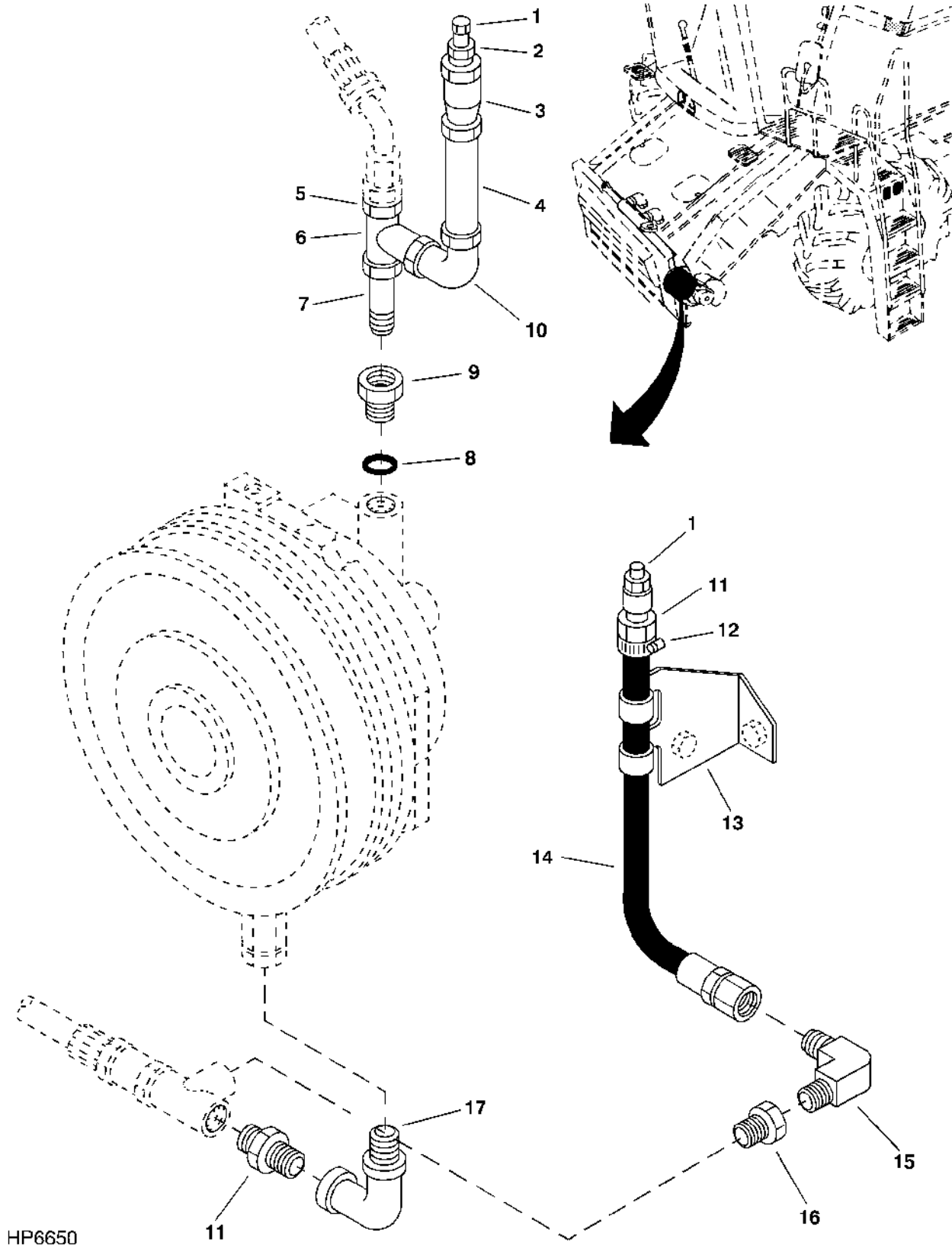
FEEDER HOUSE GEARCASE OIL COOLER - CONTINUED

KEY	PART NO.	PART NAME	QTY	SERIAL NO.	S H 9 9 5 5 0 0 0 0	REMARKS
1	AH90990	CLIP	3		X X	
2	38H1522	ELBOW FITTING	2		X X	
3	R26375	O-RING	2		X X	
4	19M7798	SCREW	2		X X	M8 X 40
5	R111156	CLIP	2		X X	
6	AH150687	OIL COOLER	1		X X	
7	H134690	CLAMP	3		X X	
8	14M7298	FLANGE NUT	2		X X	M8

6C18

FEEDER HOUSE GEARCASE OIL COOLER FITTINGS AND HOSES

HP6650 -UN-18AUG97



HP6650

6C19

HYDRAULICS

FEEDER HOUSE GEARCASE OIL COOLER FITTINGS AND HOSES - CONTINUED

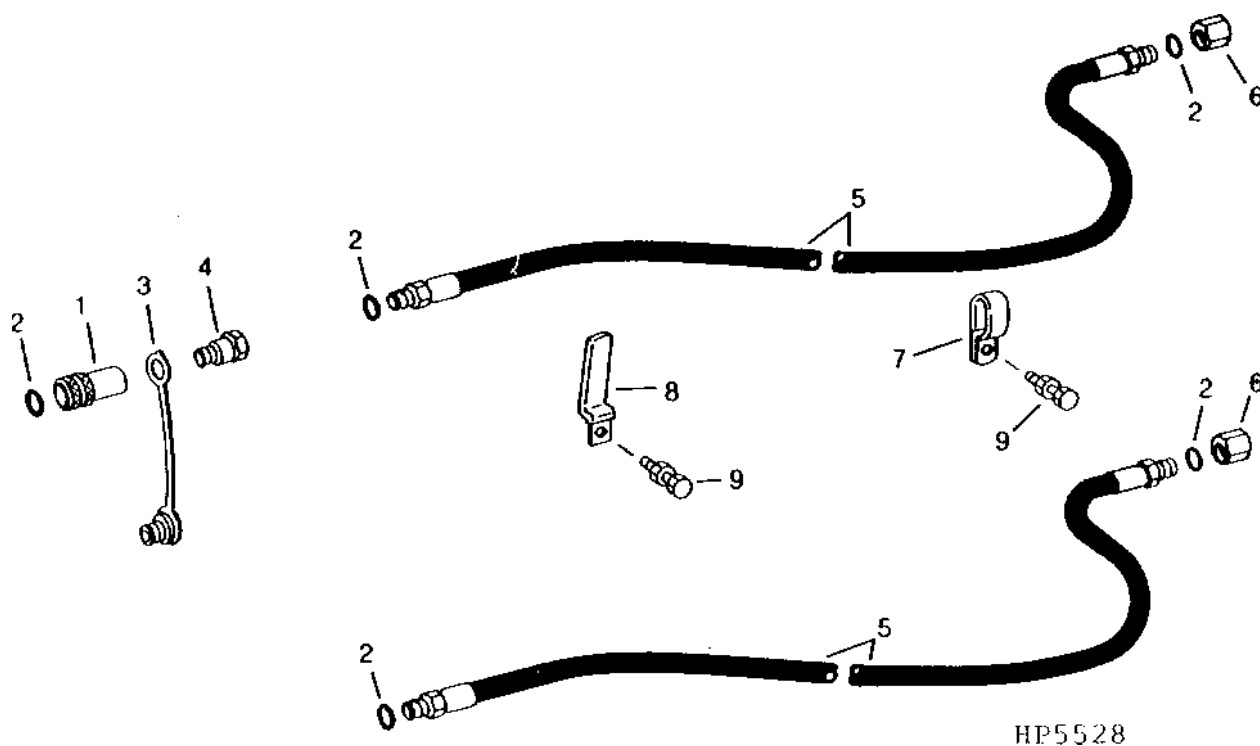
KEY	PART NO.	PART NAME	QTY	SERIAL NO.	S H 9 5 0 0	REMARKS
1	AH106296	BREATHER	2		X X	
2	15H514	PIPE BUSHING	1		X X	
3	15H579	COUPLING	1		X X	
4	29H601	THREADED NIPPLE	2		X X	
5	T78646	ADAPTER	1		X X	
6	15H580	TEE FITTING	1		X X	
7	29H593	THREADED NIPPLE	1		X X	
8	R26906	O-RING	1		X X	
9	T27986	FITTING	1		X X	
10	15H622	ELBOW FITTING	1		X X	
11	T80906	ADAPTER	2		X X	
12	AR48236	CLAMP	2		X X	
13	H158665	HINGE	1		X X	USE EXISTING HARDWARE
14	H157871	HOSE	1		X X	
15	T28077	ELBOW FITTING	1		X X	
16	15H625	PIPE BUSHING	1		X X	
17	15H602	ELBOW FITTING	1		X X	
..	BH81311	COMPLETE GOODS/SHIP. BUNDLE	1		X X	GEARBOX COOLER

6C20

HYDRAULICS

200 SERIES CUTTING PLATFORM HYDRAULIC CONVERSION PARTS

HP5528 -UN-01JAN94



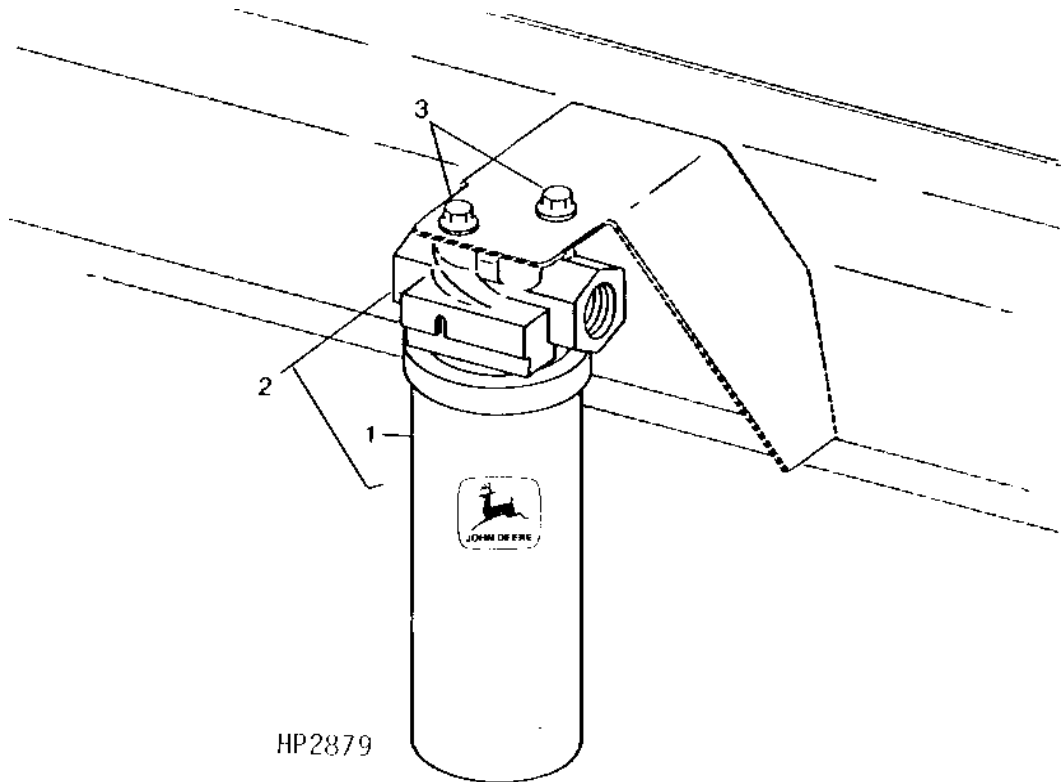
KEY	PART NO.	PART NAME	QTY	SERIAL NO.	S H 9 9 5 5 0 0 0 0	REMARKS
1	AH75167	HYD. QUICK-CONNECT COUPLER	1		X X	(INCLUDES INTERNAL O-RING)
2	R26375	O-RING	5		X X	16.358 X 2.210 MM (0.644" X 0.087")
3	H125403	PLUG	1		X X	
4	H35112	ADAPTER	1		X X	
5	AH130936	HYDRAULIC HOSE	2		X X	3/4" X 2 640 MM (104") X 3/4"
6	R30815	FITTING	2		X X	
7	AH77869	CLIP	3		X X	
8	AH78124	CLIP	1		X X	
9	19M7866	SCREW	4		X X	M8 X 20
	14M7298	FLANGE NUT	4		X X	M8
..	BH79019	COMPLETE GOODS/SHIP. BUNDLE	1		X X	HEADER CONVERSION KIT (1984-1987)

6C21

HYDRAULICS

MAIN HYDRAULIC FILTER ASSEMBLY

HP2879 -UN-01JAN94



HP2879

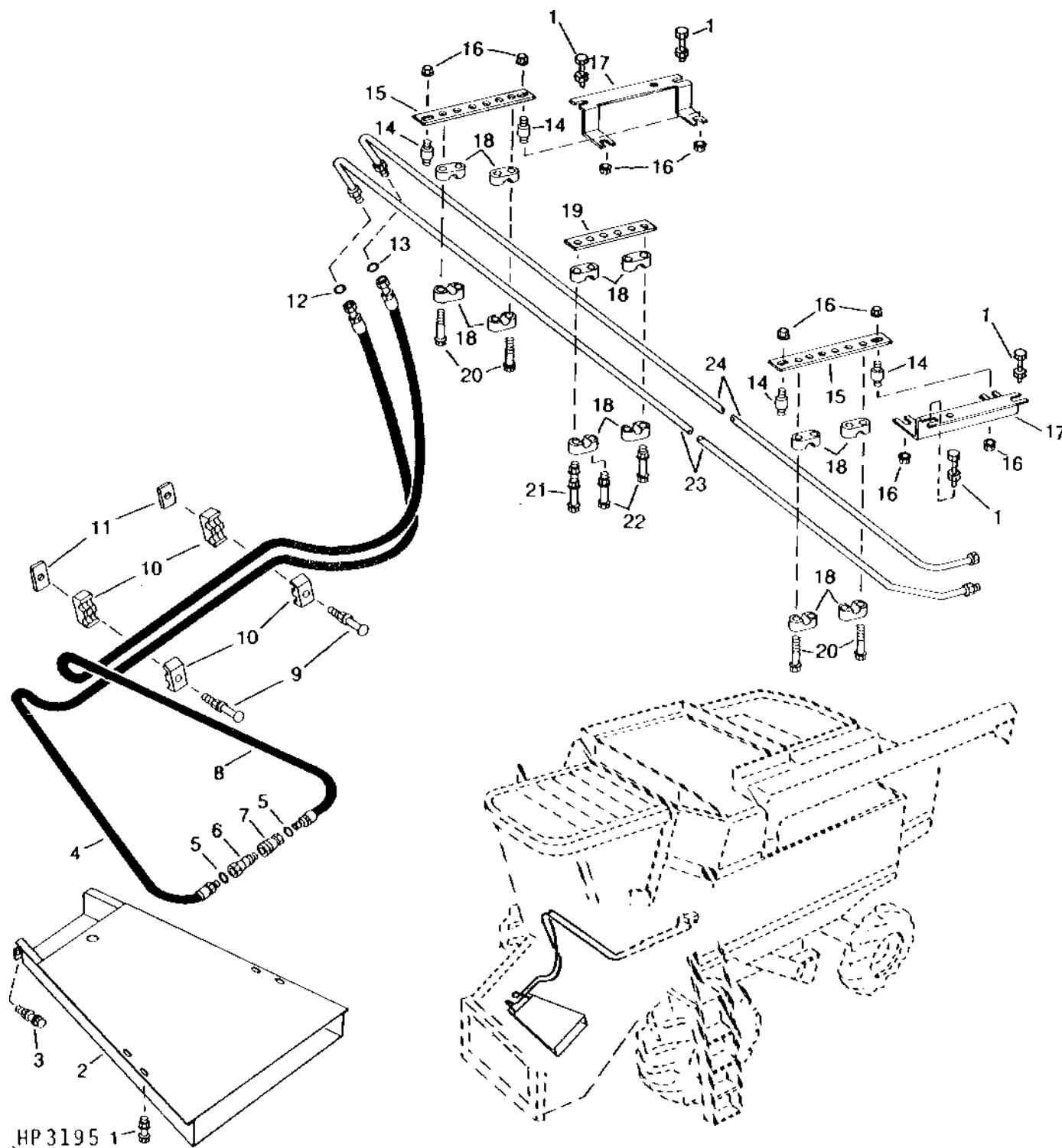
KEY	PART NO.	PART NAME	QTY	SERIAL NO.	S H 9 9 5 5 0 0 0 0	REMARKS
1	AH128449	HYDRAULIC FILTER	1		X X	
2	AH125733	FILTER HEAD	1		X X	
3	19M7784	SCREW	2		X X	M10 X 20

6C22

HYDRAULICS

REEL DRIVE HYDRAULIC LINES AND HOSES, FRONT

HP3195 -UN-01JAN94



HP3195 1

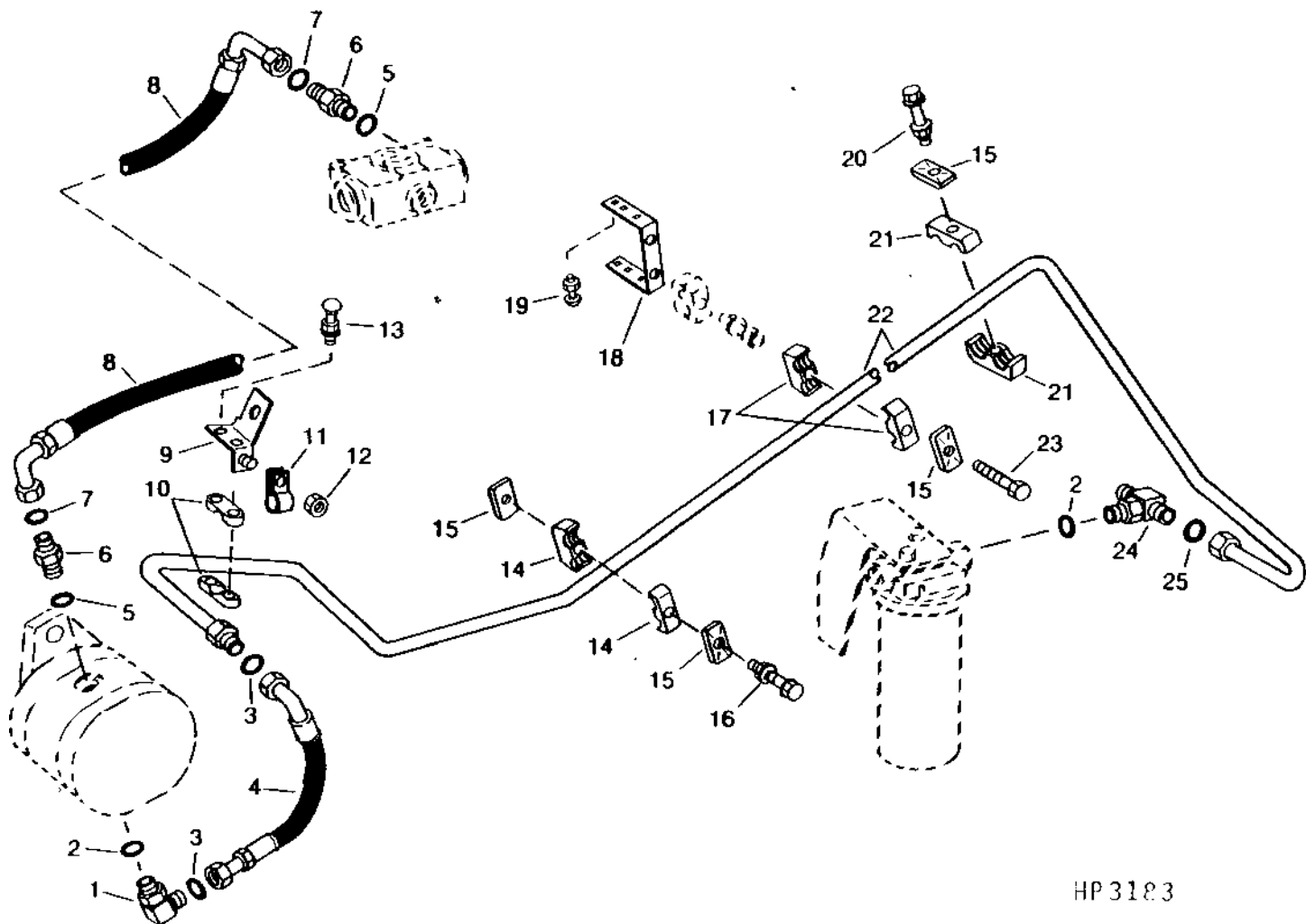
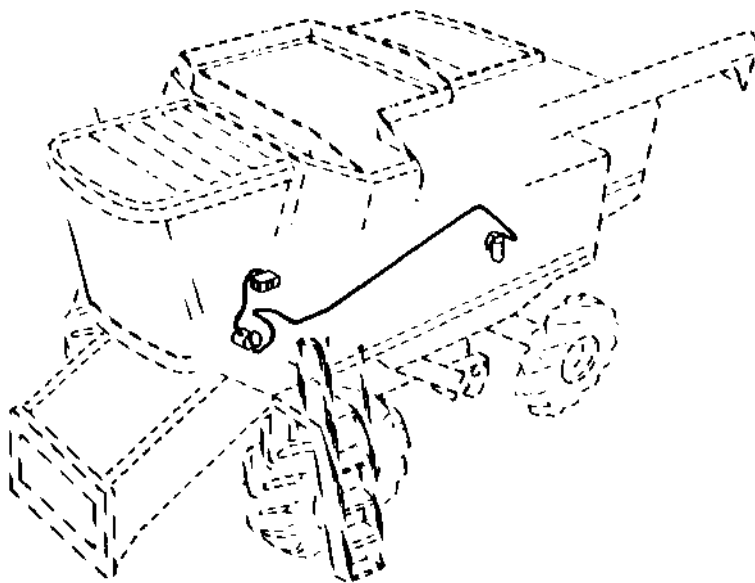
REEL DRIVE HYDRAULIC LINES AND HOSES, FRONT - CONTINUED

KEY	PART NO.	PART NAME	QTY	SERIAL NO.	S H 9 5 0 0	REMARKS
1	19M7865	SCREW	6		X X	M8 X 16
	14M7298	FLANGE NUT	6		X X	M8
2	AH131303	PAN	1		X X	
3	19M7784	SCREW	2		X X	M10 X 20
	14M7296	FLANGE NUT	2		X X	M10
4	AH130564	HYDRAULIC HOSE	1		X X	3/4" X 2 927 MM (115-1/4") X 1" (RETURN)
5	R26375	O-RING	2		X X	16.358 X 2.210 MM (0.644" X 0.087")
6	AR94522	INTERNAL HALF COUPLER	1		X X	
7	AH75167	HYD. QUICK-CONNECT COUPLER	1		X X	(INCLUDES INTERNAL O-RING)
	P45750	O-RING	1		X X	20.218 X 3.531 MM (0.796" X 0.139")
	L24517	BACK-UP RING	1		X X	
	T12960	SNAP RING	1		X X	
8	AH130563	HYDRAULIC HOSE	1		X X	3/4" X 2 852 MM (112-1/4") X 13/16" (PRESSURE)
9	03M7245	BOLT	2		X X	M8 X 55
	14M7298	FLANGE NUT	2		X X	M8
10	H122772	CLAMP	4		X X	
11	H112567	PLATE	2		X X	
12	T77932	O-RING	1		X X	15.596 X 1.778 MM (0.614" X 0.070")
13	T77857	O-RING	1		X X	12.421 X 1.778 MM (0.489" X 0.070")
14	AH126657	ISOLATOR	4		X X	
15	H134429	STRAP	2		X X	
16	N10217	LOCK NUT	8		X X	6.350 MM (1/4")
17	H135618	BRACKET	2		X X	
18	H115533	CLAMP	12		X X	
19	H134558	STRAP	1		X X	
20	37M7102	SCREW	8		X X	M8 X 40
21	19M7979	SCREW	1		X X	M8 X 55
	14M7298	FLANGE NUT	2		X X	M8
22	19M8318	SCREW	3		X X	M8 X 45
	14M7298	FLANGE NUT	3		X X	M8
23	AH135684	HYDRAULIC LINE	1		X X	(SUB FOR AH131322) (RETURN)
24	AH135686	HYDRAULIC LINE	1		X X	(SUB FOR AH130213) (PRESSURE)

6C24

HYDRAULICS

REEL PUMP HYDRAULIC LINES AND HOSES
HP3183 -UN-01JAN94



HP3183

6C25

HYDRAULICS

REEL PUMP HYDRAULIC LINES AND HOSES - CONTINUED

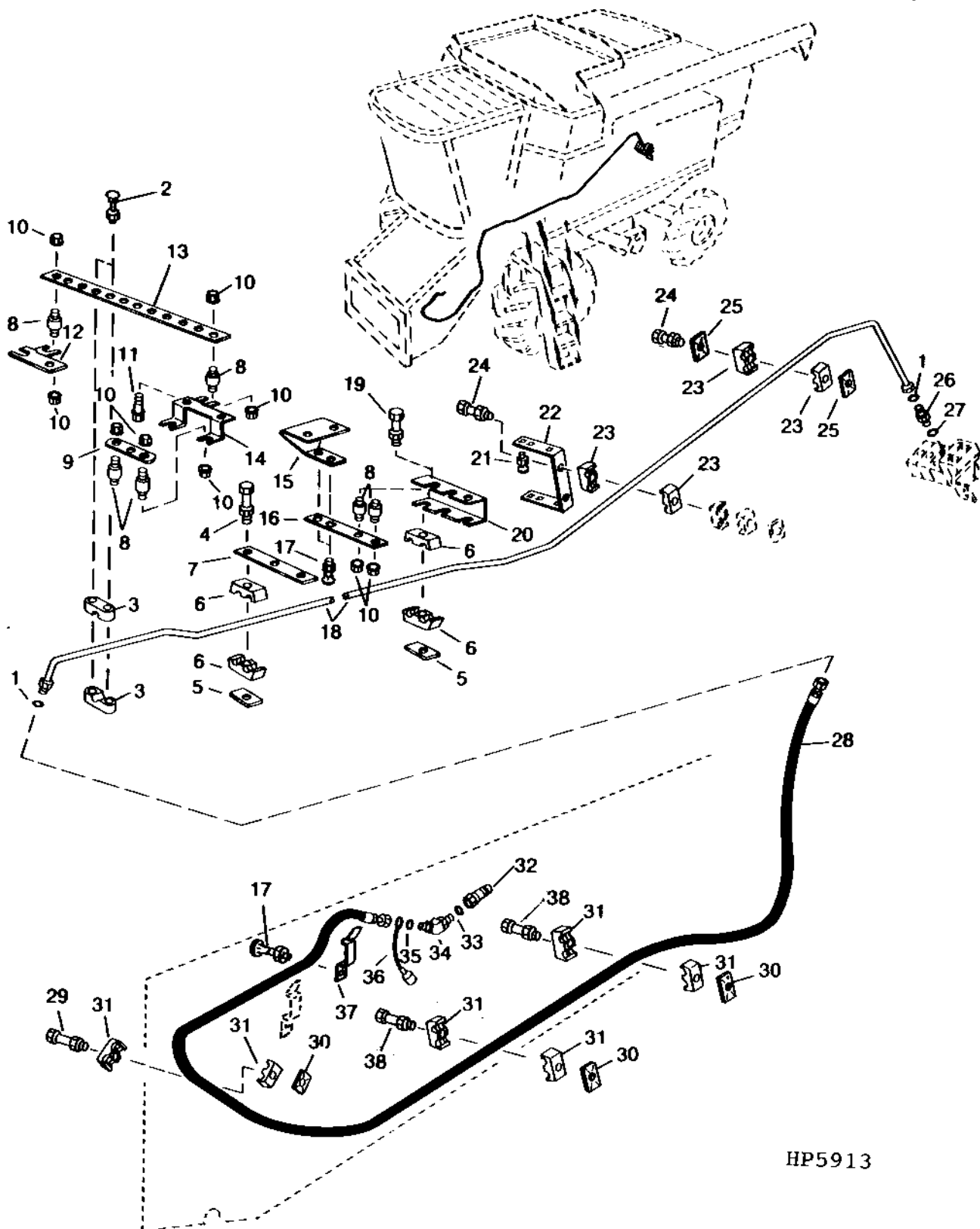
KEY	PART NO.	PART NAME	QTY	SERIAL NO.	S H 9 5 0 0	REMARKS
1	38H1052	ELBOW FITTING	1		X X	
2	R29936	O-RING	2		X X	29.743 X 2.946 MM (1.171" X 0.116")
3	T77858	O-RING	2		X X	18.771 X 1.778 MM (0.739" X 0.070")
4	AH128584	HYDRAULIC HOSE	1		X X	1-3/16" X 390 MM (15-1/4") X 1-3/16" (REEL PUMP SUCTION)
5	R26906	O-RING	2		X X	19.177 X 2.464 MM (0.755" X 0.097")
6	38H1174	ADAPTER	2		X X	
7	T77857	O-RING	2		X X	12.421 X 1.778 MM (0.489" X 0.070")
8	AH131876	HYDRAULIC HOSE	1		X X	13/16" X 840 MM (33") X 13/16" (REEL PUMP PRESSURE)
9	AH126389	BRACKET	1		X X	
10	H114432	CLAMP	2		X X	
11	T72393	CLAMP	1		X X	
12	14M7298	FLANGE NUT	1		X X	M8
13	03M7280	BOLT	2		X X	M6 X 45 (RD. HEAD)
	14M7303	FLANGE NUT	2		X X	M6
14	H114897	CLAMP	2		X X	
15	H112567	PLATE	4		X X	
16	19M7801	SCREW	1		X X	M8 X 60
	14M7298	FLANGE NUT	1		X X	M8
17	H114897	CLAMP	2		X X	
18	H131115	BRACKET	1		X X	
19	03M7184	BOLT	4		X X	M8 X 20 (RD. HEAD)
	14M7396	LOCK NUT	4		X X	M8
20	19M8319	SCREW	1		X X	M8 X 50
	14M7298	FLANGE NUT	1		X X	M8
21	H120362	CLAMP	2		X X	
22	AH128859	OIL LINE	1		X X	(REEL PUMP SUCTION)
23	19M8317	SCREW	1		X X	M8 X 40
24	38H1437	TEE FITTING	1		X X	
25	T76938	O-RING	1		X X	23.520 X 1.778 MM (0.926" X 0.070")

6D1

HYDRAULICS

REEL LIFT LINES AND HOSES

HP5913 -UN-14FEB95



HP5913

6D2

HYDRAULICS

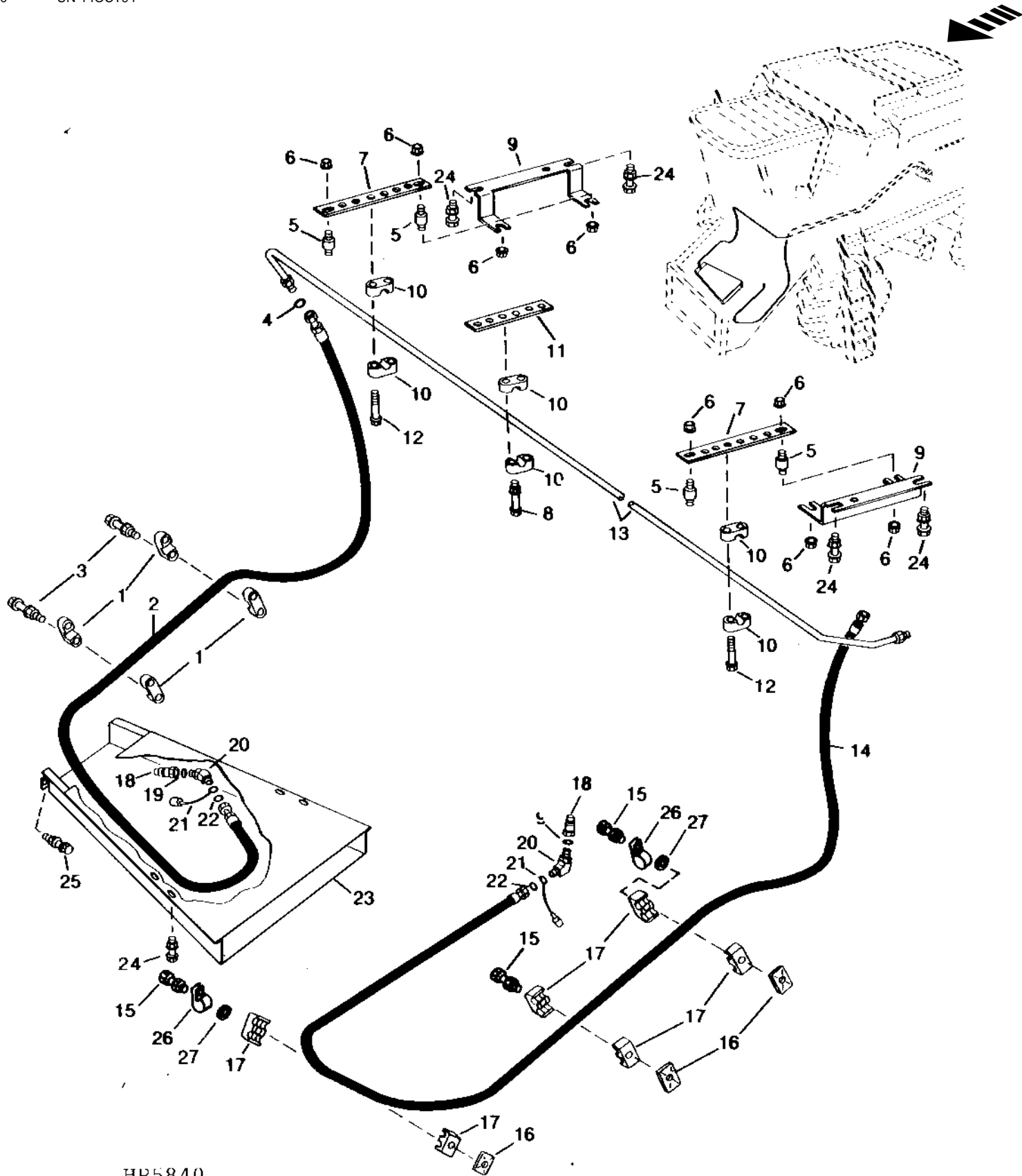
REEL LIFT LINES AND HOSES - CONTINUED

KEY	PART NO.	PART NAME	QTY	SERIAL NO.	S H 9 5 0 0	REMARKS
1	T77613	O-RING	2		X X	9.246 X 1.778 MM (0.364" X 0.070")
2	37M7096	SCREW	2	-631977	X	M8 X 35
	03M7188	BOLT	2	631978-	X X	M8 X 40
	14M7298	FLANGE NUT	2	631978-	X X	M8
3	H116717	CLAMP	2		X X	
4	19M7801	SCREW	1	-660200	X X	M8 X 60
	19M7803	SCREW	1	660201-	X X	M8 X 70
	14M7298	FLANGE NUT	1		X X	M8
5	H121163	COVER	3		X X	W/ REEL FORE/AFT OPTION
	H121163	COVER	1		X X	W/O REEL FORE/AFT OPTION
6	H128515	CLAMP	4		X X	W/ REEL FORE/AFT OPTION
	H127589	CLAMP	4		X X	W/O REEL FORE/AFT OPTION
7	H131163	STRAP	1		X X	
8	AH126657	ISOLATOR	6		X X	
9	H134425	STRAP	1		X X	
10	N10217	LOCK NUT	12		X X	6.350 MM
11	37M7092	SCREW	4		X X	M8 X 16
12	H134427	BRACKET	1		X X	
13	H134426	STRAP	1	-631977	X	ROUND HOLES
	H140298	STRAP	1	631978-	X X	SQUARE HOLES
14	H134424	BRACKET	1		X X	
15	H138411	BRACKET	1		X X	
16	H134434	SUPPORT	1		X X	
17	03M7184	BOLT	3		X X	M8 X 20
	14M7298	FLANGE NUT	3		X X	M8
18	AH135688	HYDRAULIC LINE	1		X X	(SUB FOR AH130895)
19	19M8291	SCREW	3	-631977	X	M8 X 35
	03M7188	BOLT	3	631978-660200	X X	M8 X 40
	03M7216	BOLT	3	660201-	X X	M8 X 50
	14M7298	FLANGE NUT	3		X X	M8
20	H134428	BRACKET	1		X X	
21	19M7866	SCREW	4		X X	M8 X 20
	14M7396	LOCK NUT	4		X X	M8
22	H131115	BRACKET	1		X X	
23	H109046	CLAMP	4		X X	
24	19M8319	SCREW	2	-660200	X X	M8 X 50, W/O REEL FORE/AFT OPTION
	19M7979	SCREW	2	660201-	X X	M8 X 55, W/O REEL FORE/AFT OPTION
	14M7298	FLANGE NUT	2		X X	M8
25	H121168	PLATE	3		X X	
26	AH129233	FITTING	1	-640200	X	
	38H1160	ADAPTER	1	640201-	X X	
	38H1309	ADAPTER	1		X X	
27	R26448	O-RING	1		X X	11.887 X 1.981 MM (0.468" X 5/64")
28	AH130562	HYDRAULIC HOSE	1		X X	11/16" X 3 286 MM (129-1/4") X 13/16"
29	03M7189	BOLT	1	-660200	X X	M8 X 45
	19M8319	SCREW	1	660201-	X X	M8 X 50
	14M7298	FLANGE NUT	1		X X	M8
	12M7032	LOCK WASHER	1	660201-	X X	8.400 MM (0.331")
30	H121168	PLATE	3		X X	
31	H120847	CLAMP	6		X X	
32	AR94522	INTERNAL HALF COUPLER	1		X X	
33	R26375	O-RING	1		X X	16.358 X 2.210 MM (0.644" X 0.087")
34	38H1046	ELBOW FITTING	1		X X	
35	T77857	O-RING	1		X X	12.421 X 1.778 MM (0.489" X 0.070")
36	A15898	CAP	1		X X	
37	H136336	HOSE CLAMP	1		X X	
38	19M8319	SCREW	2	-661185	X	M8 X 50
	19M7979	SCREW	2	661186-	X	M8 X 55
	19M7298	CAP SCREW	2		X X	M8 X 35
	12M7032	LOCK WASHER	2	660201-	X X	8.400 MM

6D3

REEL FORE-AND-AFT HYDRAULIC LINES AND HOSES, FRONT (OPTIONAL)

HP5840 -UN-14OCT94



HP5840

6D4

HYDRAULICS

**REEL FORE AND AFT HYDRAULIC LINES AND HOSES, FRONT - CONTINUED
(OPTIONAL)**

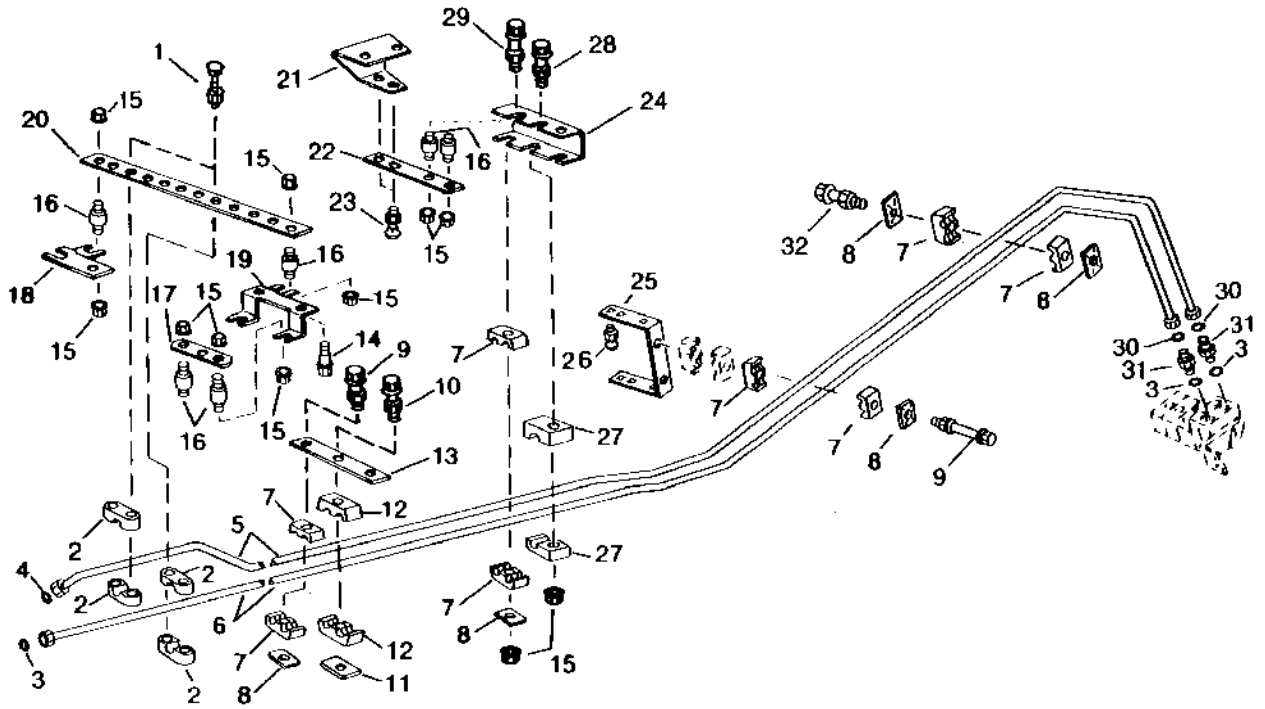
KEY	PART NO.	PART NAME	QTY	SERIAL NO.	S H 9 5 0 0 0 0	REMARKS
1	H115533	CLAMP	4		X X	
2	AH130561	HYDRAULIC HOSE	1		X X	9/16" X 2 794 MM (110") X 11/16" (EXTEND)
3	03M7216	BOLT	4		X X	M8 X 50
	14M7298	FLANGE NUT	4		X X	M8
4	T77814	O-RING	1		X X	7.645 X 1.778 MM (0.301" X 0.070")
5	AH126657	ISOLATOR	4		X X	
6	N10217	LOCK NUT	8		X X	6.350 MM (1/4")
7	H134429	STRAP	2		X X	
8	19M8317	SCREW	2		X X	M8 X 40
	14M7298	FLANGE NUT	2		X X	M8
9	H135618	BRACKET	2		X X	
10	H116717	CLAMP	6		X X	
11	H134558	STRAP	1		X X	
12	37M7096	SCREW	4		X X	M8 X 35
13	AH135682	HYDRAULIC LINE	1		X X	(SUB FOR AH131312) (EXTEND)
14	AH130560	HYDRAULIC HOSE	1		X X	9/16" X 3 286 MM (129-1/4") X 11/16" (RETRACT)
15	19M8319	SCREW	3		X X	M8 X 50
	14M7298	FLANGE NUT	3		X X	M8
16	H121168	PLATE	3		X X	
17	H120847	CLAMP	6		X X	
18	AH116632	HYD. QUICK-CONNECT COUPLER	2		X X	
19	R26448	O-RING	2		X X	11.887 X 1.981 MM (0.468" X 5/64")
20	38H1045	ELBOW FITTING	2		X X	
21	AH124832	CAP	2		X X	
22	T77613	O-RING	2		X X	9.246 X 1.778 MM (0.364" X 0.070")
23	AH131303	PAN	1		X X	
24	19M7865	SCREW	6		X X	M8 X 16
	14M7298	FLANGE NUT	6		X X	M8
25	19M7784	SCREW	2		X X	M10 X 20
	14M7296	FLANGE NUT	2		X X	M10
26	AH96317	CLIP	3		X X	(SUB FOR AH89486)
27	12M7032	LOCK WASHER	3		X X	8.400 MM (0.331")
..	BH81383	COMPLETE GOODS/SHIP. BUNDLE	1		X X	REEL FORE AND AFT CONVERSION

6D5

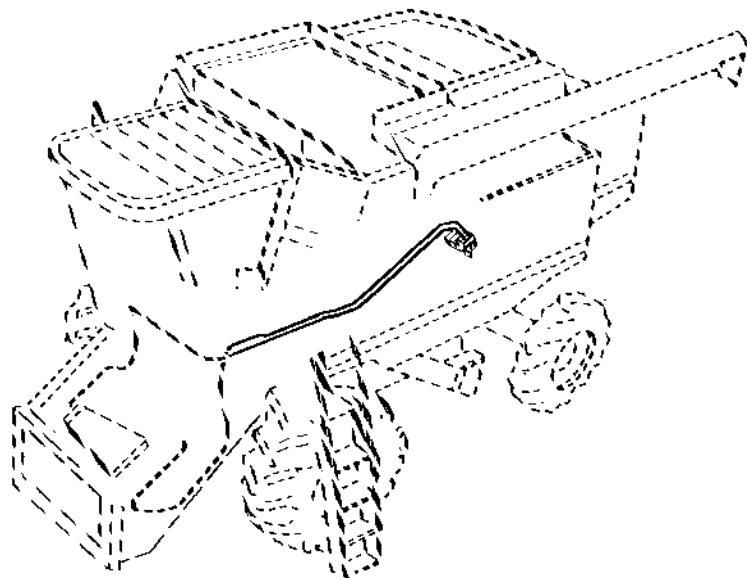
HYDRAULICS

REEL FORE-AND-AFT HYDRAULIC LINES, L.H. SIDE (OPTIONAL)

HP5841 -UN-14OCT94



HP5841



6D6

HYDRAULICS

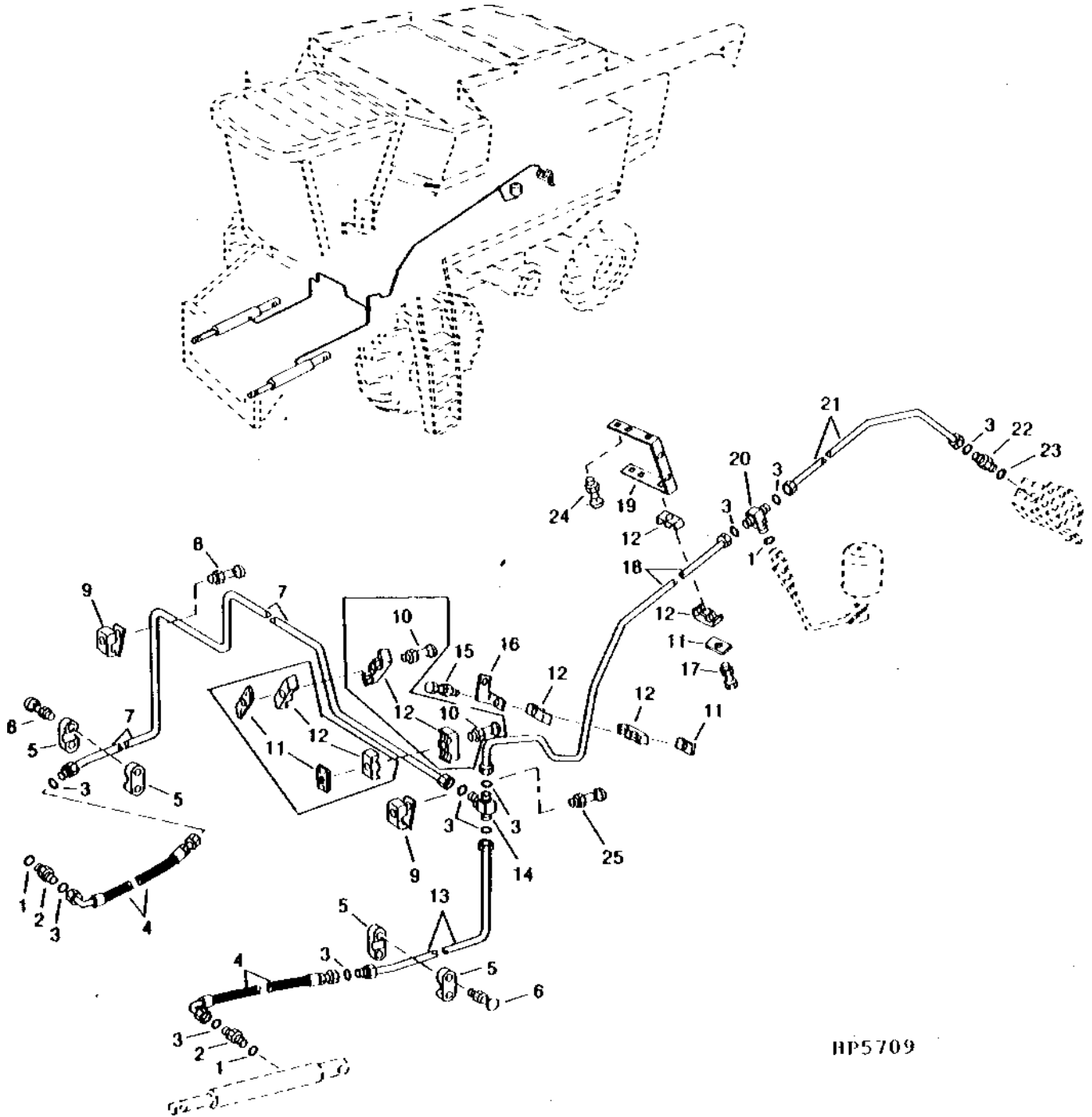
REEL FORE-AND-AFT HYDRAULIC LINES, L.H. SIDE - CONTINUED
(OPTIONAL)

KEY	PART NO.	PART NAME	QTY	SERIAL NO.	S H 9 5 0 0 0 0	REMARKS
1	37M7096	SCREW	4	-631977	X	M8 X 35
	03M7188	BOLT	4	631978-	X X	M8 X 40
	14M7298	FLANGE NUT	4		X X	M8
2	H116717	CLAMP	4		X X	
3	R26375	O-RING	2		X X	16.358 X 2.210 MM (0.644" X 0.087")
4	T77814	O-RING	1		X X	7.645 X 1.778 MM (0.301" X 0.070")
5	AH135689	HYDRAULIC LINE	1		X X	(SUB FOR AH130896)
6	AH131311	HYDRAULIC LINE	1		X X	(EXTEND)
7	H128515	CLAMP	8		X X	
8	H121163	COVER	5		X X	
9	19M7803	SCREW	2		X X	M8 X 70
	14M7298	FLANGE NUT	2		X X	M8
10	19M8318	SCREW	1	-631977	X	M8 X 45
	03M7189	BOLT	1	631978-	X X	M8 X 45
	14M7298	FLANGE NUT	1		X X	M8
11	H121168	PLATE	1	-631977	X	
12	H109046	CLAMP	2	-631977	X	
13	H131163	STRAP	1	-631977	X	
14	03M7184	BOLT	2		X X	M8 X 20
	14M7298	FLANGE NUT	2		X X	M8
15	N10217	LOCK NUT	12		X X	6.350 MM (1/4")
16	AH126657	ISOLATOR	6		X X	
17	H134425	STRAP	1		X X	
18	H134427	BRACKET	1		X X	
19	H134424	BRACKET	1		X X	
20	H134426	STRAP	1	-631977	X	ROUND HOLES
	H140298	STRAP	1	631978-	X X	SQUARE HOLES
21	H138411	BRACKET	1		X X	
22	H134434	SUPPORT	1		X X	
23	03M7184	BOLT	2		X X	M8 X 20
	14M7298	FLANGE NUT	2		X X	M8
24	H134428	BRACKET	1		X X	
25	H131115	BRACKET	1		X X	
26	19M7866	SCREW	4		X X	M8 X 20
	14M7396	LOCK NUT	4		X X	M8
27	H127589	CLAMP	2		X X	
28	19M8317	SCREW	1	-640200	X	M8 X 40
	03M7188	BOLT	1	640201-660200	X X	M8 X 40
	03M7216	BOLT	1	660201-	X X	M8 X 50
	14M7298	FLANGE NUT	1		X X	M8
29	03M7188	BOLT	2		X X	M8 X 40
	14M7298	FLANGE NUT	2		X X	M8
30	T77613	O-RING	3		X X	9.246 X 1.778 MM (0.364" X 0.070")
31	38H1171	ADAPTER	2		X X	
32	19M7803	SCREW	1	-640200	X	M8 X 70
	19M7801	SCREW	1	640201-	X X	M8 X 60
	14M7298	FLANGE NUT	1		X X	M8
..	BH81383	COMPLETE GOODS/SHIP. BUNDLE	1		X X	REEL FORE AND AFT CONVERSION

6D7

HEADER LIFT HYDRAULIC LINES AND HOSES

HP5709 -UN-01JAN94



HP5709

6D8

HYDRAULICS

HEADER LIFT HYDRAULIC LINES AND HOSES - CONTINUED

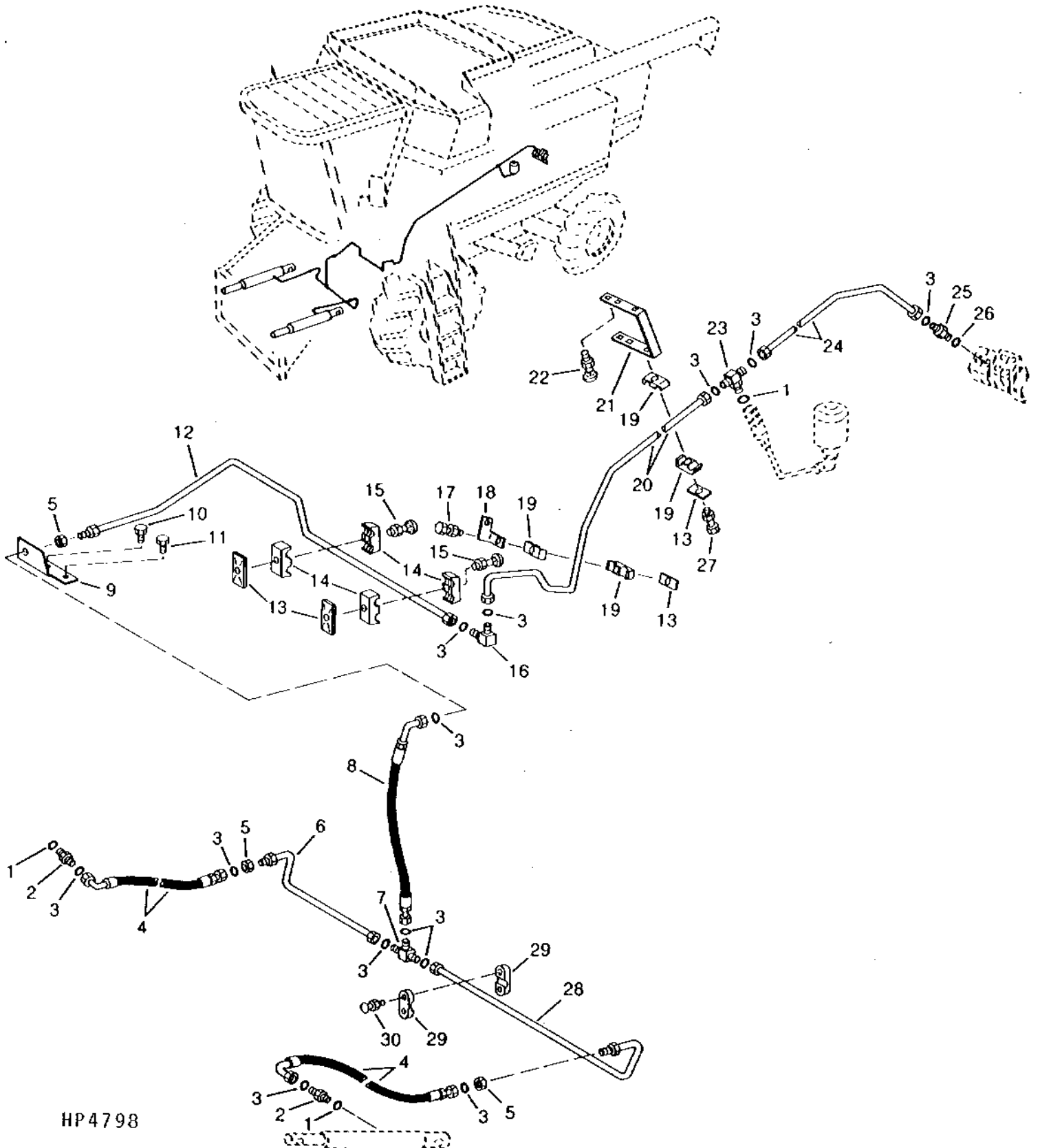
KEY	PART NO.	PART NAME	QTY	SERIAL NO.	S H 9 5 0 0	REMARKS
1	R26375	O-RING	3		X	16.358 X 2.210 MM (0.644" X 0.087")
2	38H1161	ADAPTER	2		X	
3	T77857	O-RING	10		X	12.421 X 1.778 MM (0.489" X 0.070")
4	AH121605	HYDRAULIC HOSE	2		X	13/16" X 515 MM (20-1/4") X 13/16"
5	H117937	CLAMP	4		X	
6	03M7189	BOLT	4		X	M8 X 45
	14M7298	FLANGE NUT	4		X	M8
7	AH131378	OIL LINE	1		X	
8	03M7280	BOLT	1		X	M6 X 45
	14M7303	FLANGE NUT	1		X	M6
9	H116706	CLAMP	AR		X	
10	03M7262	BOLT	2		X	M6 X 50
	14M7303	FLANGE NUT	2		X	M6
11	H121168	PLATE	4		X	
12	H108291	CLAMP	AR		X	
	H135156	CLAMP	2	646100-	X	
13	AH130113	HYDRAULIC LINE	1		X	
14	38H1206	TEE FITTING	1		X	
15	19M8317	SCREW	1		X	M8 X 40
	14M7298	FLANGE NUT	1		X	M8
16	H135974	BRACKET	1		X	
17	19M8318	SCREW	1		X	M8 X 45
	14M7298	FLANGE NUT	1		X	M8
18	AH131576	HYDRAULIC LINE	1		X	
19	H131115	BRACKET	1		X	
20	38H1017	TEE FITTING	1		X	
21	AH128753	HYDRAULIC LINE	1		X	
22	38H1173	ADAPTER	1		X	
23	R26448	O-RING	1		X	11.887 X 1.981 MM (0.468" X 5/64")
24	03M7184	BOLT	4		X	M8 X 20
	14M7396	LOCK NUT	4		X	M8
25	19M8321	SCREW	2		X	M6 X 45
	14M7298	FLANGE NUT	2		X	M8

6D9

HEADER LIFT HYDRAULIC LINES AND HOSES

(SIDEHILL)

HP4798 -UN-01JAN94



HP4798

6D10

HYDRAULICS

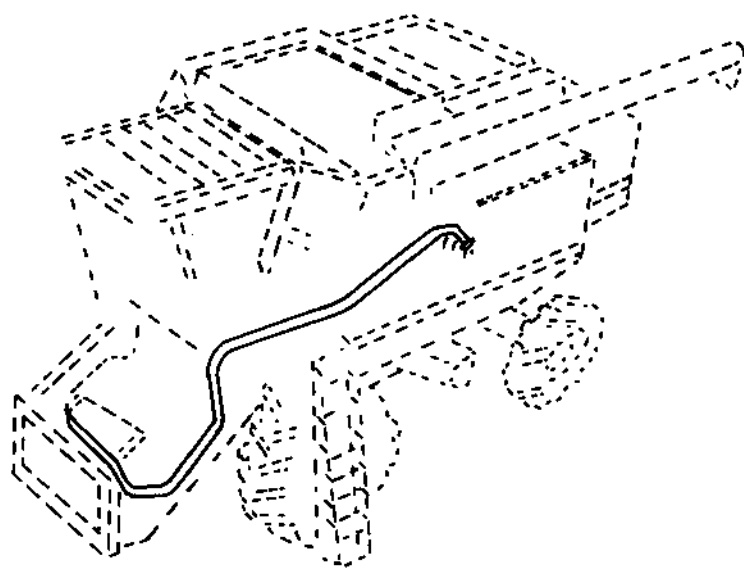
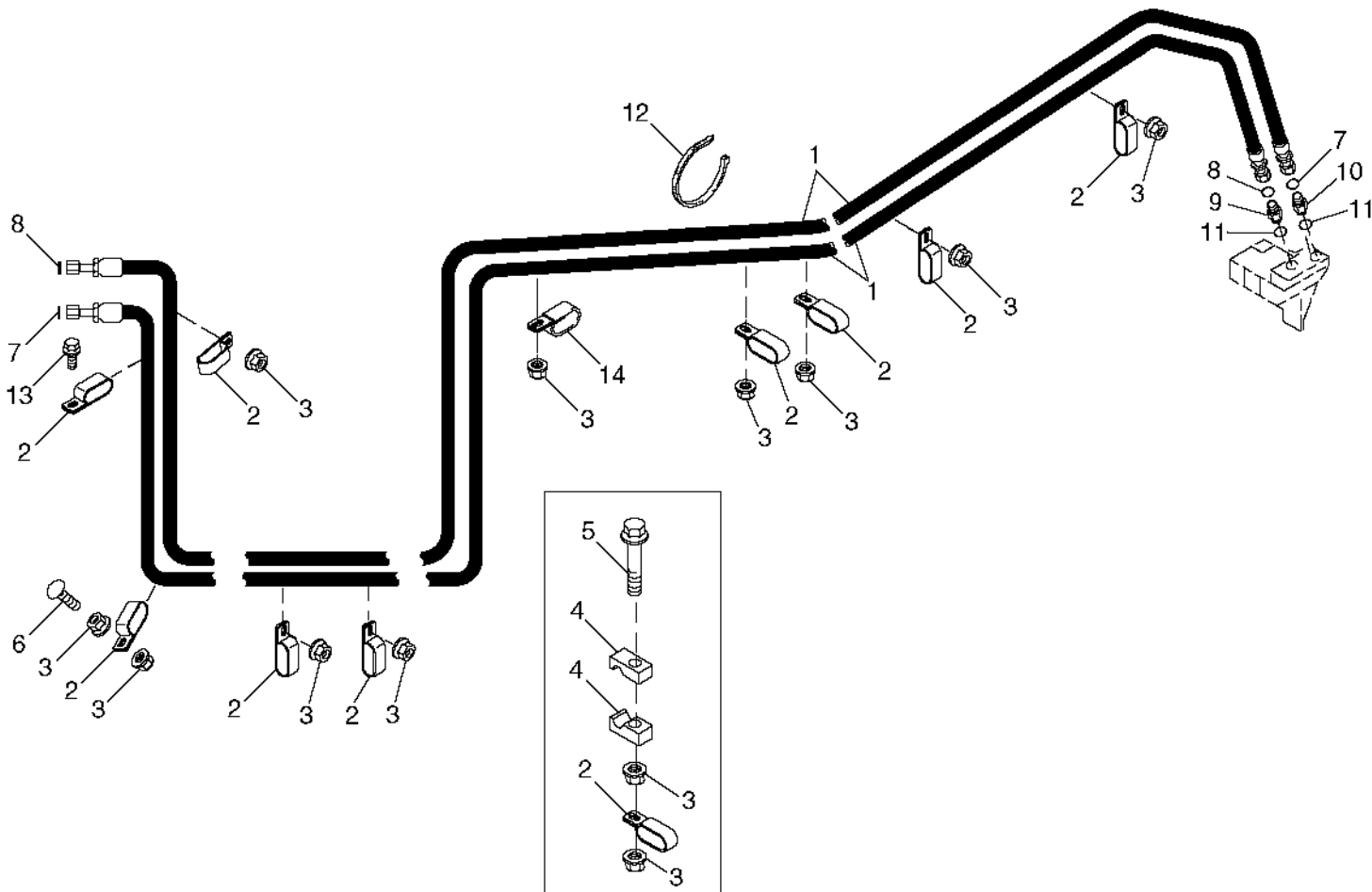
**HEADER LIFT HYDRAULIC LINES AND HOSES - CONTINUED
(SIDEHILL)**

KEY	PART NO.	PART NAME	QTY	SERIAL NO.	S H 9 5 0 0 0 0	REMARKS
1	R26375	O-RING	3		X	16.358 X 2.210 MM (0.644" X 0.087")
2	38H1161	ADAPTER	2		X	
3	T77857	O-RING	10		X	12.421 X 1.778 MM (0.489" X 0.070")
4	AH137618	HYDRAULIC HOSE	2		X	13/16" X 400 MM (15-3/4") X 13/16"
5	T78716	NUT	3		X	20.625 MM (13/16")
6	AH138725	OIL LINE	1		X	
7	38H1206	TEE FITTING	1		X	
8	AH136277	HYDRAULIC HOSE	1		X	13/16" X 450 MM (17-3/4") X 13/16"
9	H141839	BRACKET	1		X	
10	19M7865	SCREW	1		X	M8 X 16
11	19M7866	SCREW	1		X	M8 X 20
12	AH137691	OIL LINE	1		X	
13	H121168	PLATE	4		X	
14	H108291	CLAMP	4		X	
15	03M7262	BOLT	2		X	M6 X 50
	14M7303	FLANGE NUT	2		X	M6
16	38H1378	ELBOW FITTING	1		X	
17	19M8317	SCREW	1		X	M8 X 40
	14M7298	FLANGE NUT	1		X	M8
18	H135974	BRACKET	1		X	
19	H108291	CLAMP	1		X	
20	AH131576	HYDRAULIC LINE	1		X	
21	H131115	BRACKET	1		X	
22	03M7184	BOLT	1		X	M8 X 20
	14M7396	LOCK NUT	1		X	M8
23	38H1017	TEE FITTING	1		X	
24	AH128753	HYDRAULIC LINE	1		X	
25	38H1173	ADAPTER	1		X	
26	R26448	O-RING	1		X	11.887 X 1.981 MM (0.468" X 5/64")
27	19M8318	SCREW	1		X	M8 X 45
	14M7298	FLANGE NUT	1		X	M8
28	AH138724	OIL LINE	1		X	
29	H117937	CLAMP	2		X	
30	03M7189	BOLT	1		X	M8 X 45
	14M7298	FLANGE NUT	1		X	M8

6D11

CONTOUR MASTER HYDRAULIC HOSES, L.H. SIDE (OPTIONAL)

(660201-)
HP9276 -UN-15NOV99



HP9276

6D12

HYDRAULICS

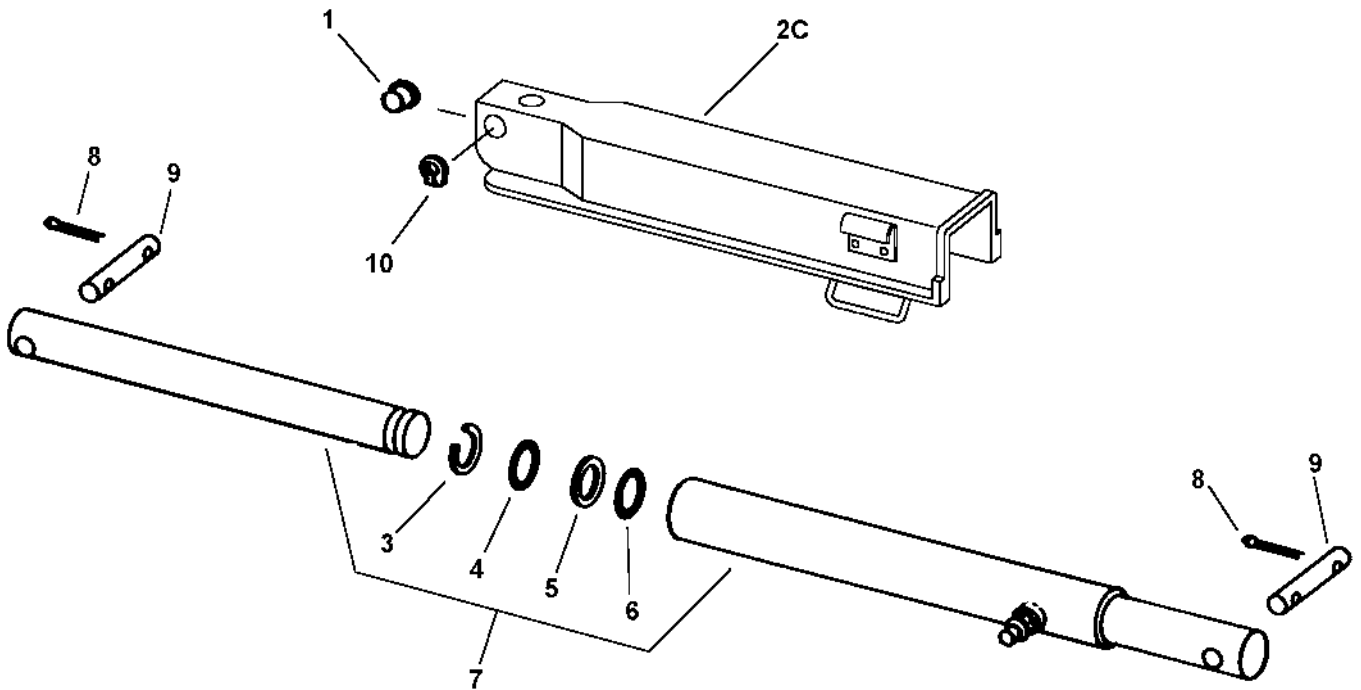
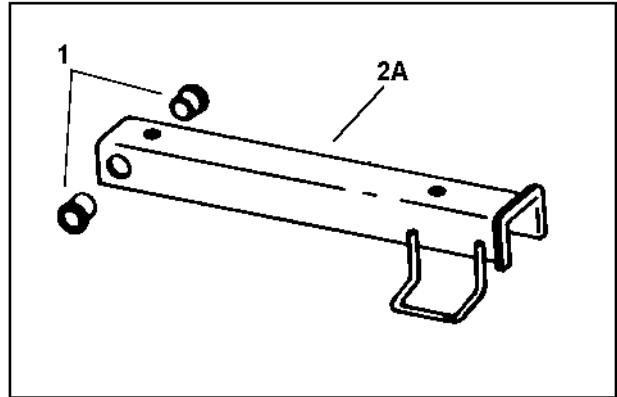
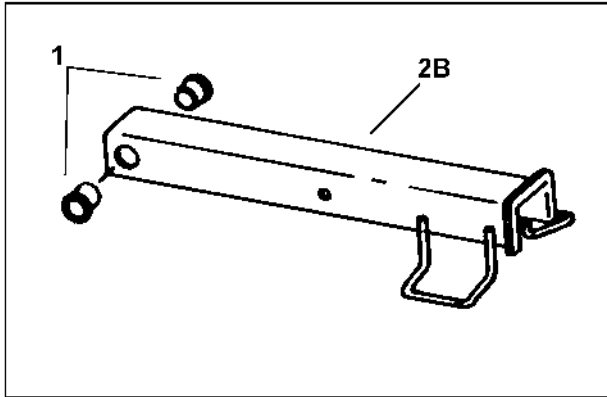
CONTOUR MASTER HYDRAULIC HOSES, L.H. SIDE (OPTIONAL) - CONTINUED
(660201-)

KEY	PART NO.	PART NAME	QTY	SERIAL NO.	S H 9 5 0 0 0	REMARKS
1	AH143682	HYDRAULIC HOSE	2		X	
2	AH97280	CLIP	11	-660882	X	
	AH97280	CLIP	10	660883-	X	
3	14M7298	FLANGE NUT	12	-660882	X	M8
	14M7298	FLANGE NUT	10	660883-	X	M8
4	H127589	CLAMP	2	-660882	X	
5	19M8318	SCREW	1	-660882	X	M8 X 45
6	03M7184	BOLT	1	-660882	X	M8 X 20
	03M7185	BOLT	1	660883-	X	M8 X 25
7	T77613	O-RING	2		X	9.246 X 1.778 MM (0.364" X 0.070")
8	T77814	O-RING	2		X	7.645 X 1.778 MM (0.301" X 0.070")
9	38H1445	ADAPTER	1		X	
10	38H1171	ADAPTER	1		X	
11	R26375	O-RING	2		X	16.358 X 2.210 MM (0.644" X 0.087")
12	R44302	TIE BAND	1	660883-	X	171 MM (6-3/4")
13	37M7084	SCREW	1	660883-	X	M8 X 25
14	AH77869	CLIP	1		X	

6D13

HYDRAULICS

HEADER LIFT HYDRAULIC CYLINDER
HP7441 -UN-03MAR98



HP7441

6D14

HYDRAULICS

HEADER LIFT HYDRAULIC CYLINDER

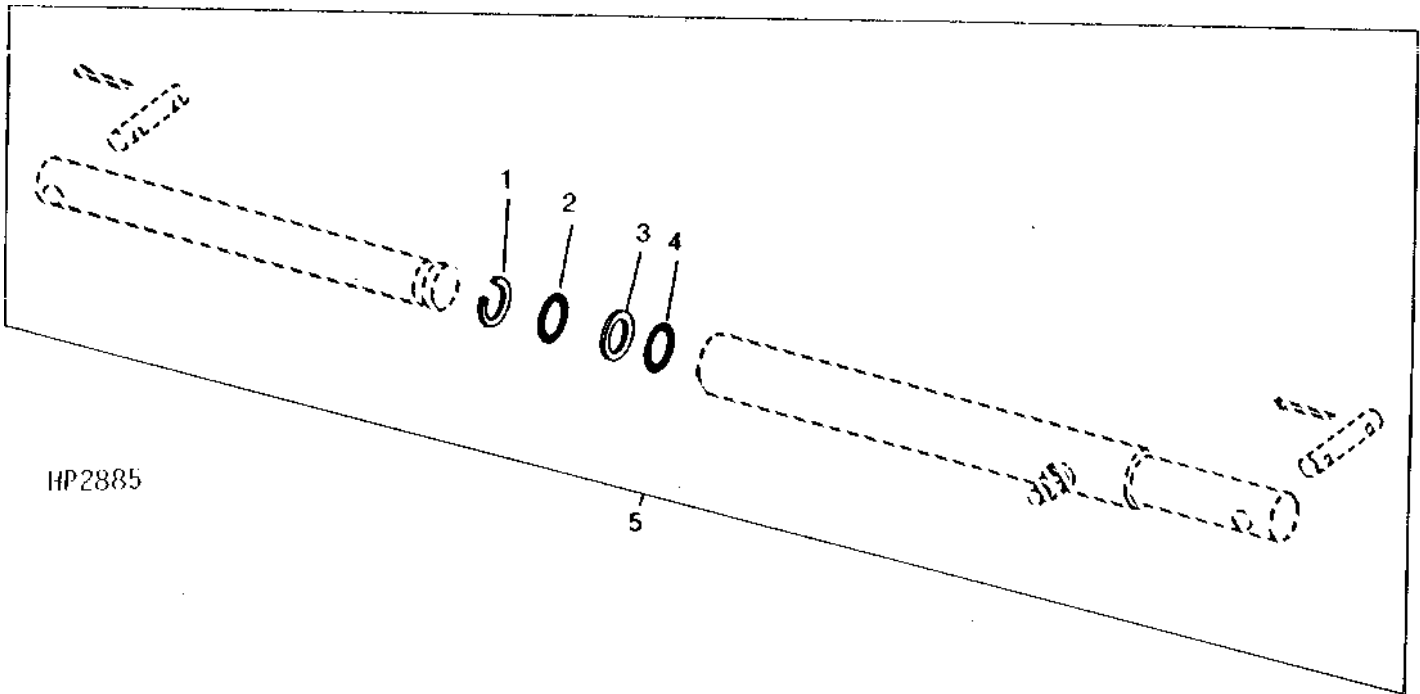
KEY	PART NO.	PART NAME	QTY	SERIAL NO.	S H 9 5 0 0	REMARKS
1	H135407	BUSHING	2	-651205	X X	31.750 X 39.500 X 12 MM (1-1/4" X 1.555" X 0.472") (SUB H150054) (L.H. CYLINDER ONLY)
	H150054	BUSHING	1		X X	
2A	AH143871	STOP	1		X	(SUB FOR AH128447 OR AH141152)
2B	AH144030	STOP	1	-29SE97	X	
	AH144031	STOP	1		X	
2C	AH157492	STOP	1	5JAN98-	X	(SUB FOR AH144030)
3	RING	1		X X	RETAINING, (KIT AH129321)
4	SEAL	1		X X	(KIT AH129321)
5	WASHER	1		X X	BACKUP, (KIT AH129321)
6	O-RING	1		X X	(KIT AH129321)
7	AH129318	CYLINDER	1	-635000	X	(COMPLETE COMPONENT) (2-1/8" BORE)
	AH135493	CYLINDER	1	635001-650200	X	(SUB AH139611) (COMPLETE COMPONENT) (2-1/8"BORE)
	AH139611	HYDRAULIC CYLINDER	1		X	(COMPLETE COMPONENT) (2-1/8" BORE)
	AH139743	CYLINDER	1	-650200	X	(SUB AH139792) (COMPLETE COMPONENT) (2-1/8" BORE)
	AH139792	HYDRAULIC CYLINDER	2		X	(COMPLETE COMPONENT) 2-1/8" BORE)
8	H95042	COTTER PIN	4	-646076	X	5.639 X 44.450 MM (0.222" X 1-3/4")
	H147486	COTTER PIN	4	646077-	X X	0.277" X 2", 5/16" X 2"
9	H116894	PIN	2		X X	30.175 X 145 MM (1-3/16" X 5.709")
10	40M7058	SNAP RING	2		X X	(SUB FOR Z56747 OR H150454)
	40M1835	SNAP RING	2		X X	
..	AH129321	SEAL KIT	1	-650200	X X	2-1/8" BORE
..	AH139755	HYDRAULIC CYLINDER KIT	1	650201-	X X	2-1/8 BORE
..	AE37830	SEAL KIT	1		X	
..	BH81390	COMPLETE GOODS/SHIP. BUNDLE	1		X X	RETROFIT BUNDLE - NARROW FEEDER HOUSE
..	BH81446	COMPLETE GOODS/SHIP. BUNDLE	1		X X	RETROFIT BUNDLE - NARROW FEEDER HOUSE CONTOUR MASTER

NOTE: QUANTITIES SHOWN ARE FOR ONE UNIT. TWO UNITS USED PER MACHINE.

6D15

HYDRAULICS

HEADER LIFT HYDRAULIC CYLINDER KIT
 HP2885 -UN-01JAN94

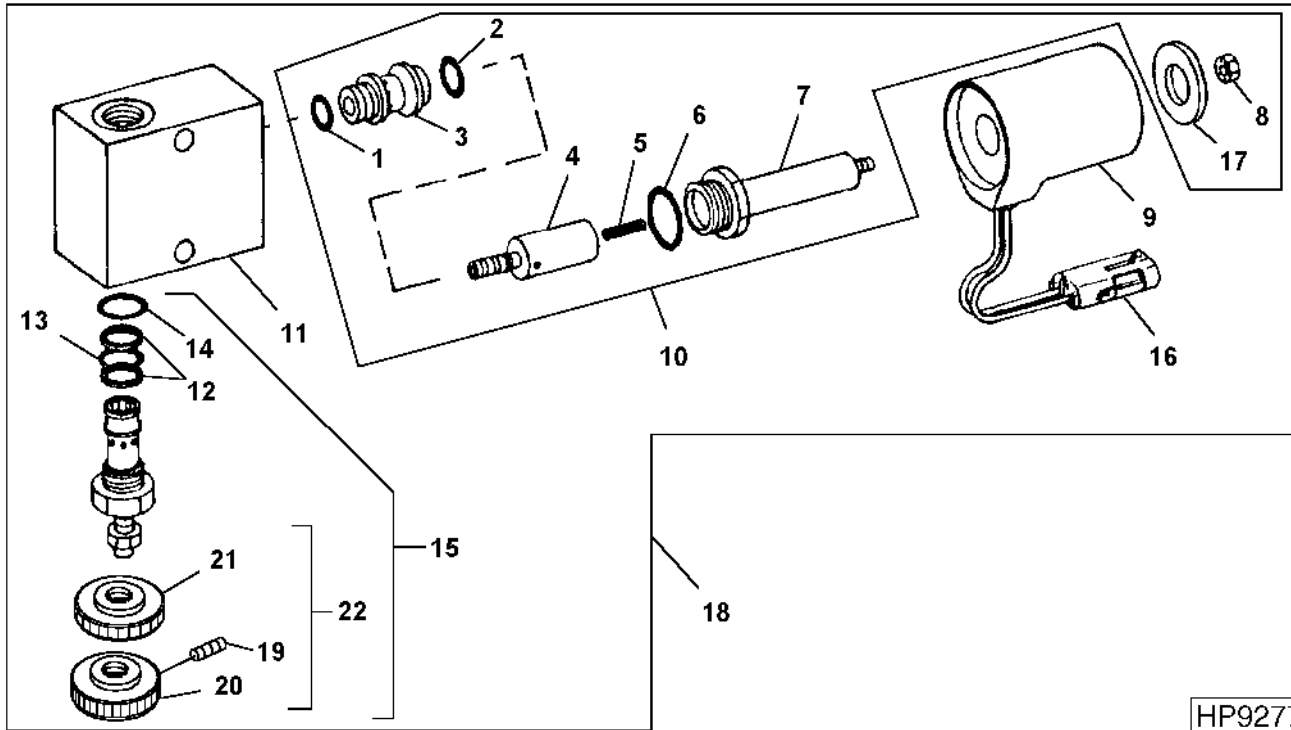


KEY	PART NO.	PART NAME	QTY	SERIAL NO.	S H 9 5 0 0	REMARKS
1	RING	1		X X	(RETAINING)
2	SEAL	1		X X	
3	WASHER	1		X X	
4	O-RING	1		X X	
5	AH129321	SEAL KIT	1	-650200	X	(SEAL REPAIR) (2-1/8" BORE)
	AH139755	HYDRAULIC CYLINDER KIT	1	650201-	X	(SEAL REPAIR) (2-1/8" BORE)
	AE37830	SEAL KIT	1		X	(SEAL REPAIR)
	AH139796	HYDRAULIC CYLINDER KIT	1	650201-	X	(SEAL REPAIR)

6D16

HYDRAULICS

DIAL-A-MATIC HEADER HEIGHT CONTROL VALVE
HP9277 -UN-12NOV99

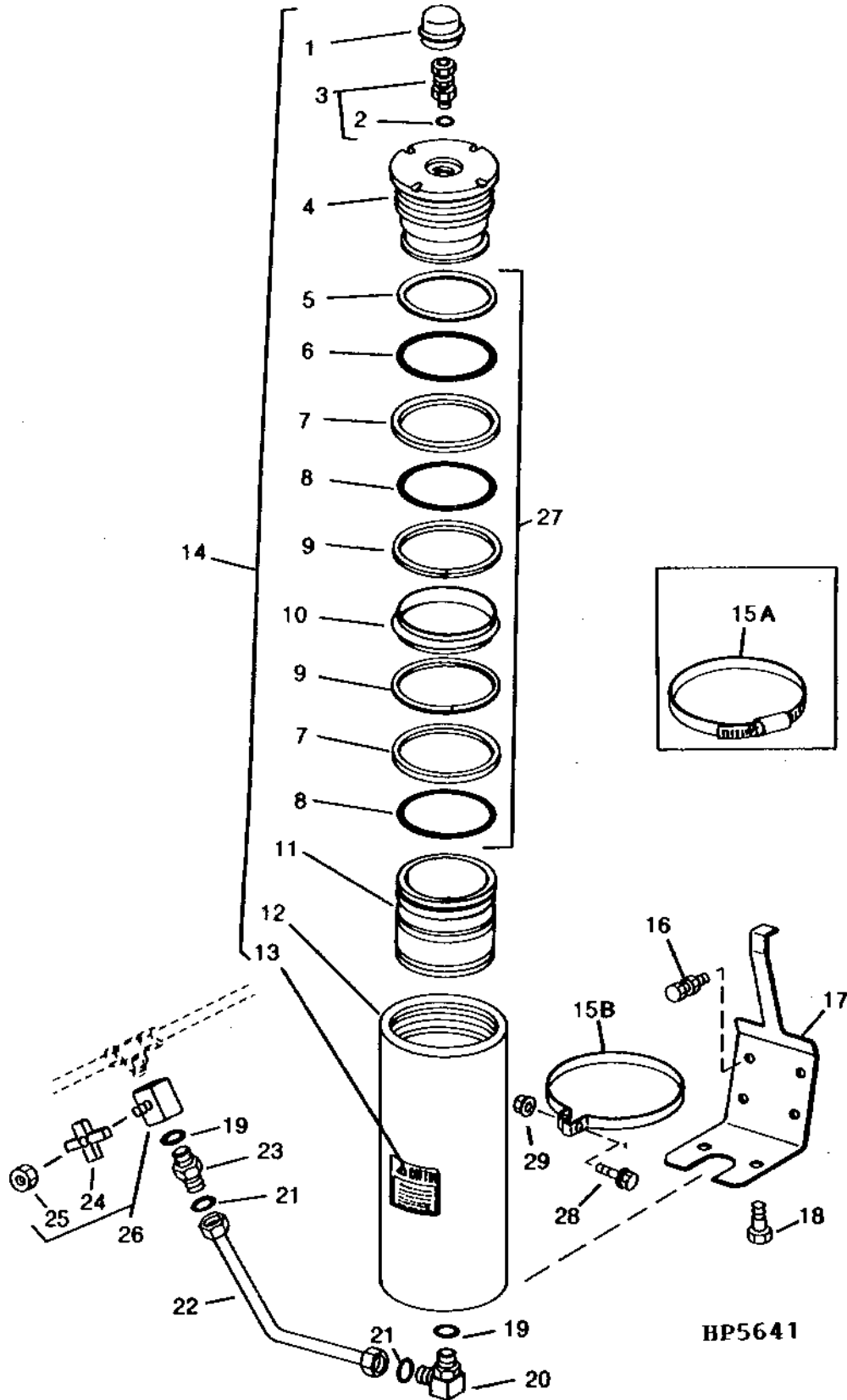


HP9277

KEY	PART NO.	PART NAME	QTY	SERIAL NO.	S	H	REMARKS
					9	9	
					5	5	
					0	0	
					0	0	
1	R28776	O-RING	1		X	X	12.421 X 1.778 MM (0.489" X 0.070")
2	T75984	O-RING	1		X	X	20.345 X 1.778 MM (0.801" X 0.070")
3	VALVE SPOOL	1		X	X	
4	PLUNGER	1		X	X	
5	SPRING	1		X	X	
6	R27928	O-RING	1		X	X	23.520 X 1.778 MM (0.926" X 0.070")
7	GUIDE	1		X	X	
8	14H866	NUT	1		X	X	5/8"
9	AH131572	ELECTRICAL COIL	1		X	X	
10	AH131571	VALVE	1		X	X	
11	H135964	HOUSING	1		X	X	
12	BACK-UP RING	2		X	X	
13	O-RING	1		X	X	
14	R26906	O-RING	1		X	X	19.177 X 2.464 MM (0.755" X 0.097")
15	AH131570	VALVE	1		X	X	
16	R78053	PIN CONTACT CONNECTOR BODY	1		X	X	(PKG OF 3)
	R78059	ELECTRICAL PLUG	1		X	X	(PKG OF 40)
	R78061	PIN CONTACT	1		X	X	(PKG OF 40)
17	24H1368	WASHER	1		X	X	21/32" X 1-5/16" X 0.090"
18	AH125910	SOLENOID VALVE	1		X	X	
19	SET SCREW	1		X	X	
20	KNOB	1		X	X	
21	14H856	NUT	1		X	X	
22	AH156333	KIT	1	-01JN99	X	X	
..	BH81084	COMPLETE GOODS/SHIP. BUNDLE	1		X	X	HEIGHT CONTROL

6D17

ONE-HALF GALLON (SINGLE) ACCUMULATOR AND MOUNTING HP5641 -UN-01JAN94



6D18

HYDRAULICS

ONE-HALF GALLON (SINGLE) ACCUMULATOR AND MOUNTING - CONTINUED

KEY	PART NO.	PART NAME	QTY	SERIAL NO.	S H 9 5 0 0	REMARKS
1	J2375M	CAP	1		X X	
2	H135641	RING	1		X X	7.650 X 1.630 MM (0.301" X 0.064")
3	AH131250	BLEED VALVE	1		X X	
4	CAP	1		X X	
5	BACK-UP RING	1		X X	
6	O-RING	1		X X	
7	SEAL	2		X X	
8	O-RING	2		X X	(KIT AH133285)
9	BACK-UP RING	2		X X	(KIT AH133285)
10	SEAL	1		X X	(KIT AH133285)
11	PISTON	1		X X	(KIT AH133285)
12	BARREL	1		X X	(KIT AH133285)
13	H138423	LABEL	1	-660200	X X	(SUB H149092) "CAUTION"
	H149092	LABEL	1		X X	"CAUTION"
14	AH133265	ACCUMULATOR	1		X X	
15A	C16054	CLAMP	1	-665201	X X	(SUB TY22475) SUB. (1) R77178, (1) 19M8162 AND (1) 14M7296 THIS APPLICATION ONLY
	TY22475	CLAMP	1		X X	
15B	R77178	CLAMP	1		X X	
16	19M7866	SCREW	4		X X	M8 X 20
	14M7298	FLANGE NUT	4		X X	M8
17	H137593	BRACKET	1		X X	
18	19M7864	SCREW	2		X X	M8 X 12
19	R26375	O-RING	2		X X	16.358 X 2.210 MM (0.644" X 0.087")
20	38H1005	ELBOW FITTING	1		X X	
21	T77857	O-RING	2		X X	12.421 X 1.778 MM (0.489" X 0.070")
22	AH132203	OIL LINE	1		X X	
23	38H1161	ADAPTER	1		X X	
24	N232713	HANDLE	1		X X	
25	K40001	LOCK NUT	1		X X	6.350 MM (1/4")
26	AH131535	VALVE	1		X X	
27	AH133285	SEAL	1		X X	(ORDER AH133265)
28	19M8162	CAP SCREW	1		X X	M10 X 40
29	14M7296	FLANGE NUT	1		X X	M10
..	BH80267	COMPLETE GOODS/SHIP. BUNDLE	1		X X	ACCUMULATOR WITH FLOAT INDICATOR

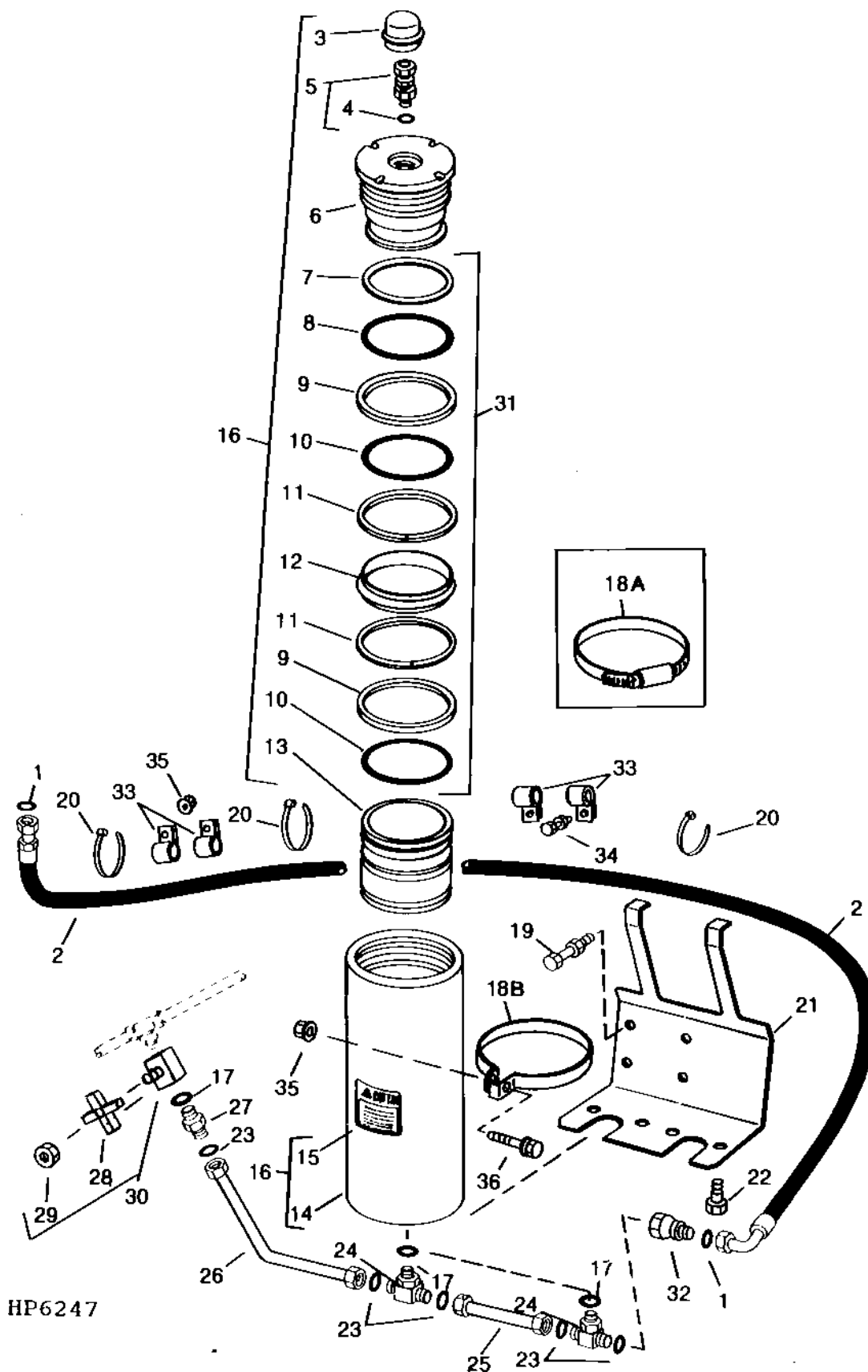
6D19

HYDRAULICS

ONE-HALF GALLON (DUAL) ACCUMULATOR, HOSE, LINE AND MOUNTING

(-655200)

HP6247 -UN-04JAN96



HP6247

6D20

HYDRAULICS

ONE-HALF GALLON (DUAL) ACCUMULATOR, HOSE, LINE AND MOUNTING - CONTINUED

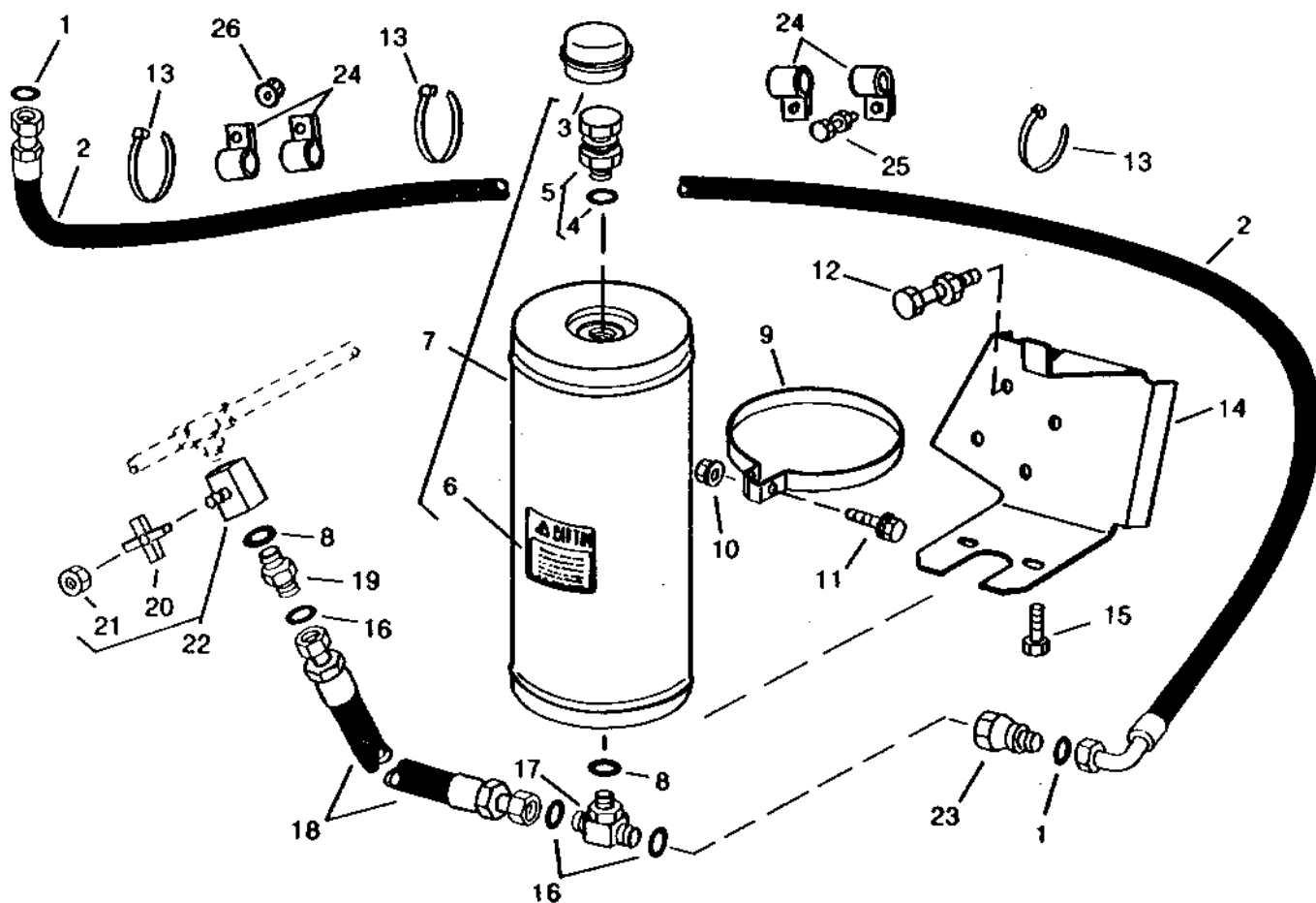
(-655200)

KEY	PART NO.	PART NAME	QTY	SERIAL NO.	S H 9 5 0 0 0 0	REMARKS
1	T77613	O-RING	2		X X	9.246 X 1.778 MM (0.364" X 0.070")
2	AH133151	HYDRAULIC HOSE	1		X X	TO GAUGE IN CAB
3	J2375M	CAP	2		X X	
4	H135641	RING	2		X X	7.650 X 1.630 MM (0.301" X 0.064")
5	AH131250	BLEED VALVE	2		X X	
6	CAP	2		X X	
7	BACK-UP RING	2		X X	(KIT AH133285)
8	O-RING	2		X X	(KIT AH133285)
9	SEAL	4		X X	(KIT AH133285)
10	O-RING	4		X X	(KIT AH133285)
11	BACK-UP RING	4		X X	(KIT AH133285)
12	SEAL	2		X X	(KIT AH133285)
13	PISTON	2		X X	
14	BARREL	2		X X	
15	H138423	LABEL	2	-660200	X X	(SUB H149092) "CAUTION"
	H149092	LABEL	2		X X	"CAUTION"
16	AH133265	ACCUMULATOR	2		X X	
17	R26375	O-RING	3		X X	16.358 X 2.210 MM (0.644" X 0.087")
18A	C16054	CLAMP	2		X X	(SUB TY22475)
18B	R77178	CLAMP	2		X X	
19	19M7866	SCREW	4		X X	M8 X 20
	14M7298	FLANGE NUT	4		X X	M8
20	R44302	TIE BAND	3		X X	
21	H137596	BRACKET	1		X X	
22	19M7864	SCREW	4		X X	M8 X 12
23	T77857	O-RING	5		X X	12.421 X 1.778 MM (0.489" X 0.070")
24	38H1017	TEE FITTING	2		X X	
25	AH132202	OIL LINE	1		X X	
26	AH132203	OIL LINE	1		X X	
27	38H1161	ADAPTER	1		X X	
28	N232713	HANDLE	1		X X	
29	K40001	LOCK NUT	1		X X	6.350 MM (1/4")
30	AH131535	VALVE	1		X X	
31	AH133285	SEAL	1		X X	
32	38H1481	REDUCER	1		X X	
33	H75541	CLAMP	4		X X	
34	03M7183	BOLT	1		X X	M8 X 16
	14M7298	FLANGE NUT	1		X X	M8
35	14M7296	FLANGE NUT	1		X X	M10
	14M7296	FLANGE NUT	2		X X	M10
36	19M8162	CAP SCREW	1		X X	M10 X 40
..	BH80267	COMPLETE GOODS/SHIP. BUNDLE	1			ACCUMULATOR WITH FLOAT INDICATOR

6D21

ONE GALLON ACCUMULATOR, HOSE, LINE AND MOUNTING

(655201-)
HP5640 -UN-01JAN94



HP5640

6D22

HYDRAULICS

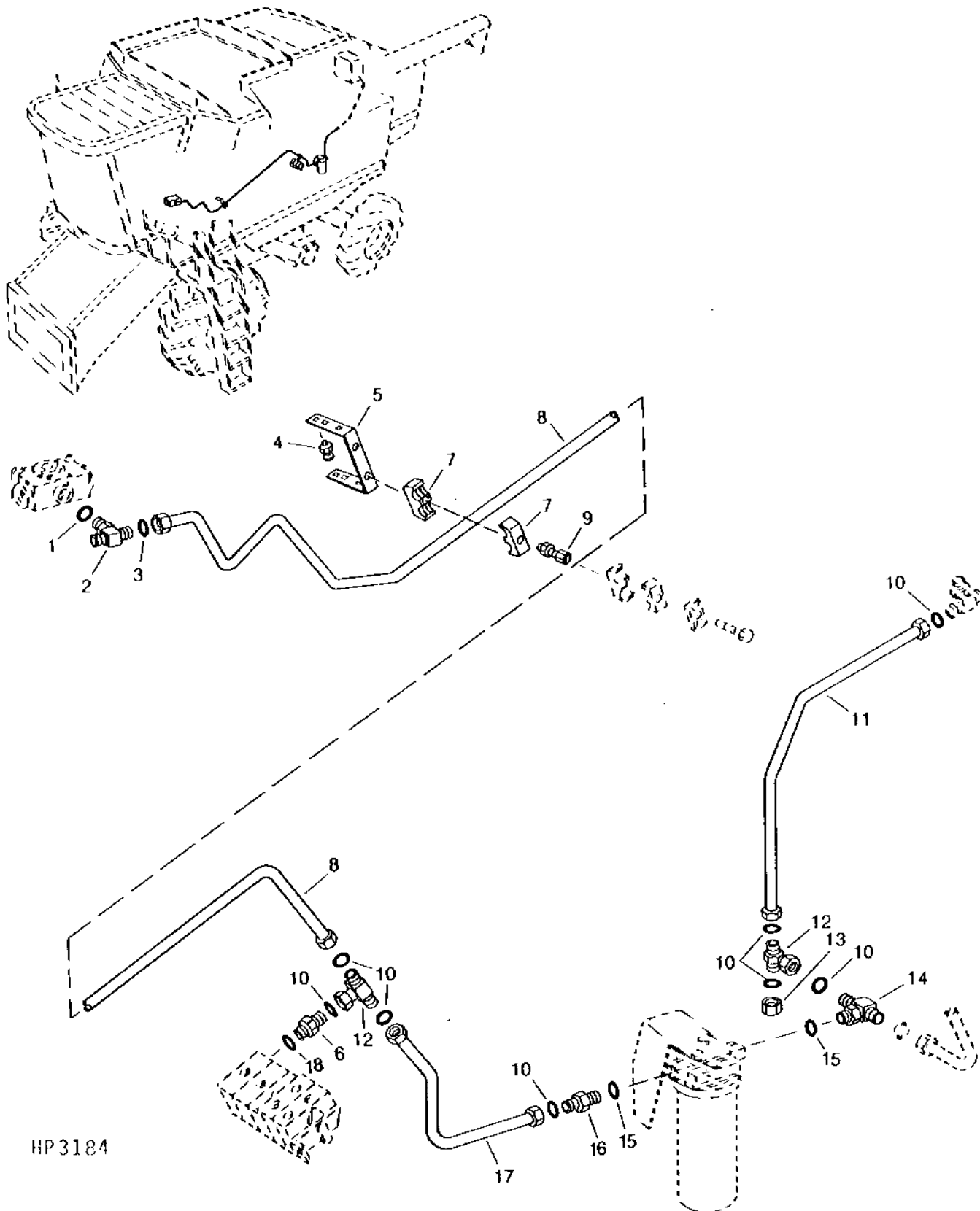
ONE GALLON ACCUMULATOR, HOSE, LINE AND MOUNTING - CONTINUED
(655201-)

KEY	PART NO.	PART NAME	QTY	SERIAL NO.	S H 9 5 0 0	REMARKS
1	T77613	O-RING	2		X X	9.246 X 1.778 MM (0.364" X 0.070")
2	AH133151	HYDRAULIC HOSE	1		X X	11/16" X 3 940 MM (155") X 11/16"
3	J2375M	CAP	2		X X	
4	H135641	RING	2		X X	7.650 X 1.630 MM (0.301" X 0.064")
5	AH131250	BLEED VALVE	2		X X	
6	H138423	LABEL	1	-660200	X X	(SUB H149092) "CAUTION"
	H149092	LABEL	1		X X	"CAUTION"
7	AH143455	ACCUMULATOR	1		X X	
8	R26375	O-RING	2		X X	16.358 X 2.210 MM (0.644" X 0.087")
9	R77178	CLAMP	1		X X	
10	14M7296	FLANGE NUT	1		X X	M10
11	19M7658	CAP SCREW	1	-655650	X X	M10 X 50
	03M7196	BOLT	1	655651-	X X	M10 X 50
12	19M7866	SCREW	4		X X	M8 X 20
	14M7298	FLANGE NUT	4		X X	M8
13	R44302	TIE BAND	3		X X	
14	H148366	BRACKET	1		X X	
15	19M7864	SCREW	2		X X	M8 X 12
16	T77857	O-RING	3		X X	12.421 X 1.778 MM (0.489" X 0.070")
17	38H1017	TEE FITTING	1		X X	
18	AH144095	HYDRAULIC HOSE	1	-670200	X X	13/16" X 450 MM (17-3/4") X 13/16"
	AH148124	HYDRAULIC HOSE	1	670201-	X X	13/16" X 460 MM (18") X 13/16"
19	38H1161	ADAPTER	1		X X	
20	N232713	HANDLE	1		X X	
21	K40001	LOCK NUT	1		X X	6.350 MM (1/4")
22	AH131535	VALVE	1		X X	
23	38H1481	REDUCER	1		X X	
24	H75541	CLAMP	4		X X	
25	03M7183	BOLT	1		X X	M8 X 16
	14M7298	FLANGE NUT	1		X X	M8
26	14M7296	FLANGE NUT	1		X X	M10

6D23

HYDRAULICS

HYDRAULIC RETURN LINES
HP3184 -UN-01JAN94



HP3184

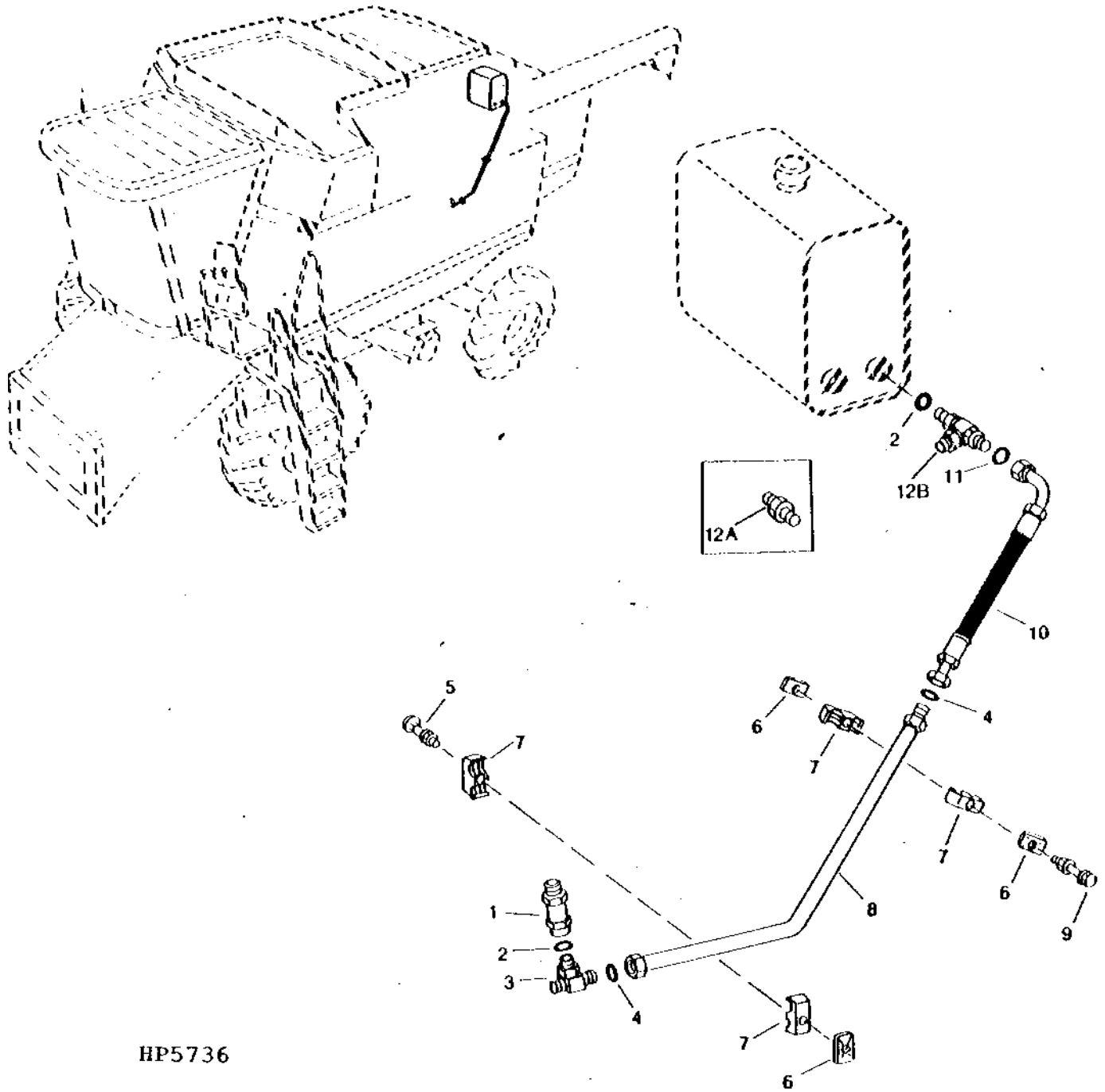
6D24

HYDRAULICS

HYDRAULIC RETURN LINES - CONTINUED

KEY	PART NO.	PART NAME	QTY	SERIAL NO.	S H 9 5 0 0	REMARKS
1	R26906	O-RING	1		X X	19.177 X 2.464 MM (0.755" X 0.097")
2	38H1018	TEE FITTING	1		X X	
3	T77932	O-RING	1	-640200	X	15.596 X 1.778 MM (0.614" X 0.070")
4	T77932	O-RING	2	640201-	X X	15.596 X 1.778 MM (0.614" X 0.070")
	03M7184	BOLT	4		X X	M8 X 20 (RD. HEAD)
	14M7396	LOCK NUT	4		X X	M8
5	H131115	BRACKET	1		X X	
6	38H1193	ADAPTER	1		X X	
7	H120847	CLAMP	2		X X	
8	AH128851	OIL LINE	1		X X	(REEL RETURN)
9	19M7913	SCREW	1		X X	M8 X 90
	14M7298	FLANGE NUT	1		X X	M8
10	T77858	O-RING	8		X X	18.771 X 1.778 MM (0.739" X 0.070")
11	AH130448	HYDRAULIC LINE	1		X X	(RETURN)
12	38H1041	TEE FITTING	2		X X	
13	38H1418	FITTING PLUG	1		X X	
14	38H1437	TEE FITTING	1		X X	
15	R29936	O-RING	2		X X	29.743 X 2.946 MM (1.171" X 0.116")
16	38H1194	ADAPTER	1		X X	
17	AH126122	HYDRAULIC LINE	1		X X	(RETURN)
18	R26375	O-RING	1		X X	16.358 X 2.210 MM (0.644" X 0.087")

RESERVOIR HYDRAULIC UPPER RETURN LINES AND HOSES
HP5736 -UN-01JAN94



HP5736

RESERVOIR HYDRAULIC UPPER RETURN LINES AND HOSES - CONTINUED

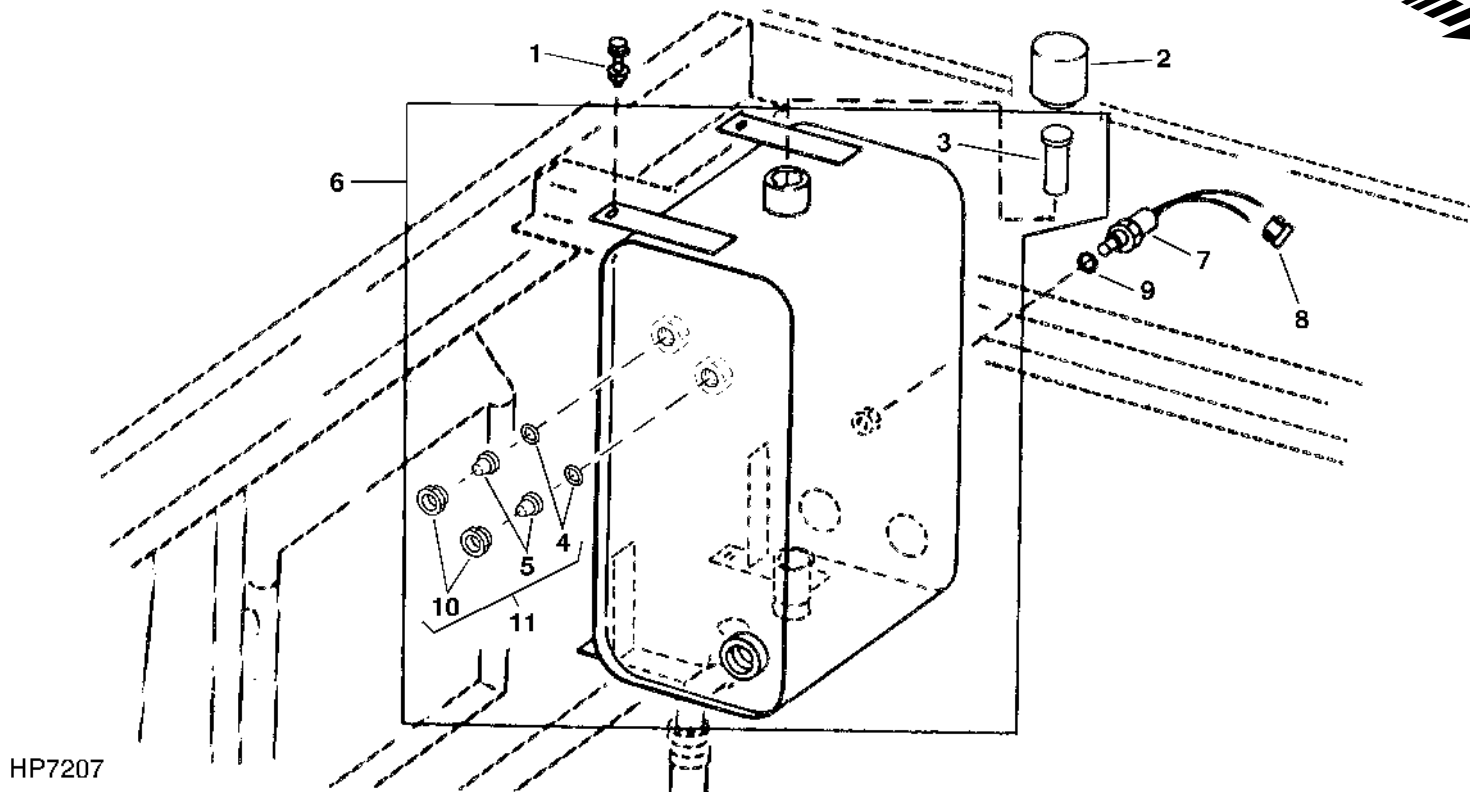
KEY	PART NO.	PART NAME	QTY	SERIAL NO.	S H 9 5 0 0	REMARKS
1	AH118337	CHECK VALVE	1		X X	
2	U12547	O-RING	2		X X	23.470 X 2.946 MM (0.924" X 0.116")
3	38H1019	TEE FITTING	1		X X	
4	T77858	O-RING	2		X X	18.771 X 1.778 MM (0.739" X 0.070")
5	03M7245	BOLT	1		X X	M8 X 55 (RD. HEAD)
	14M7298	FLANGE NUT	1		X X	M8
6	H112567	PLATE	3		X X	
7	H114865	CLAMP	4		X X	
8	AH130568	HYDRAULIC LINE	1		X X	(UPPER RETURN)
9	19M7801	SCREW	1		X X	M8 X 60
	14M7298	FLANGE NUT	1		X X	M8
10	AH130567	HYDRAULIC HOSE	1		X	1-3/16" X 305 MM (12") X 1-3/16"
11	T77858	O-RING	1		X X	18.771 X 1.778 MM (0.739" X 0.070")
12A	38H1163	ADAPTER	1		X	
12B	38H1026	TEE FITTING	1		X	

6E3

HYDRAULICS

HYDRAULIC / HYDROSTATIC OIL RESERVOIR AND MOUNTINGS

HP7207 -UN-17OCT97



HP7207

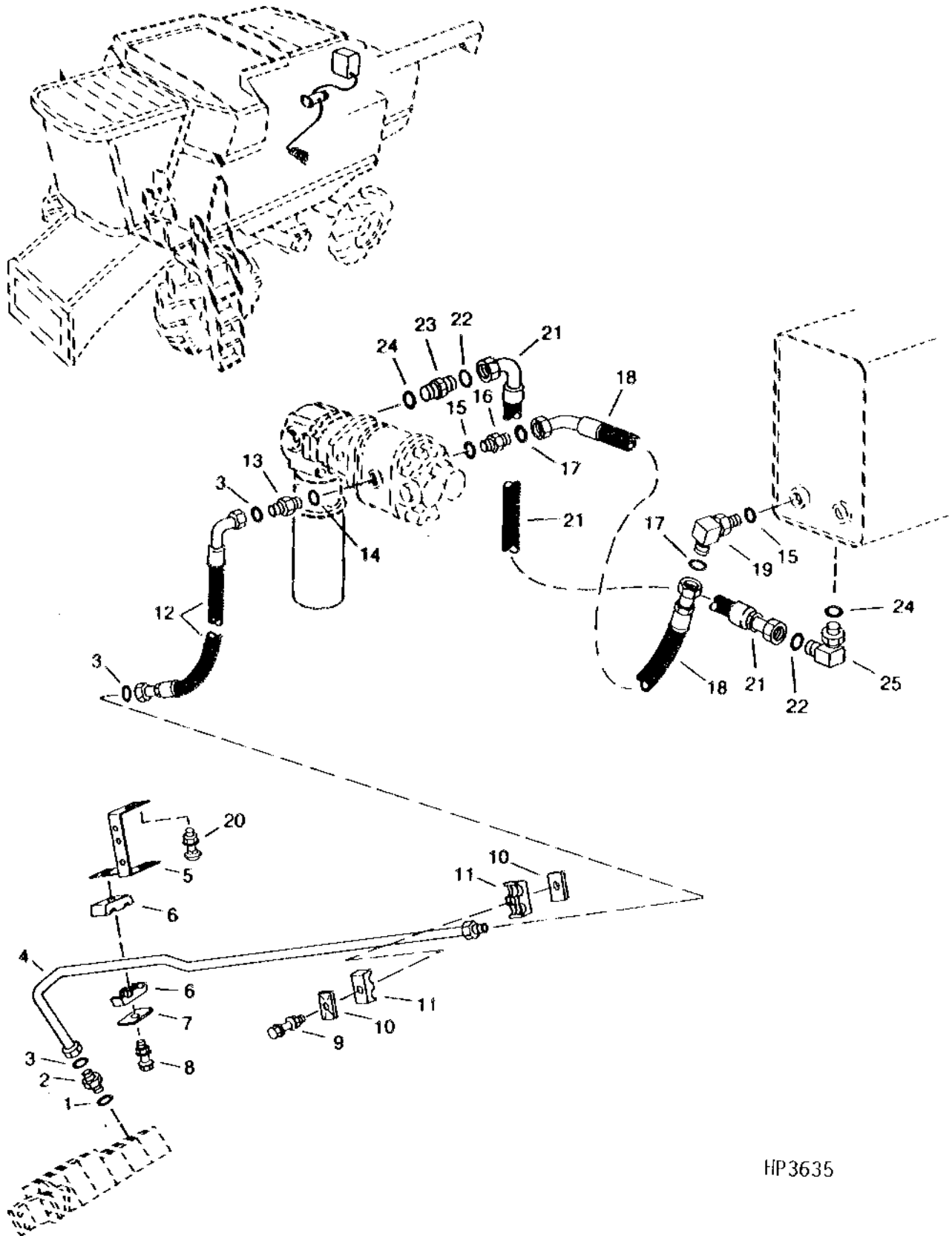
KEY	PART NO.	PART NAME	QTY	SERIAL NO.	S	H	REMARKS
1	19M7866	SCREW	4		X	X	M8 X 20
	14M7298	FLANGE NUT	4		X	X	M8
2	AH106695	CAP	1	-29SEP7	X	X	
	AZ49144	BUCKLE	1	29SEP7-	X	X	
3	AH131334	SCREEN	1		X	X	28 MM DIA.
	AH135064	STRAINER	1		X	X	35 MM DIA.
4	R375R	O-RING	2	-29SEP7	X	X	15.545 X 2.616 MM (0.612" X 0.103")
	P48347	O-RING	2	29SEP7-	X	X	
5	AH87790	LENS	2	-29SEP7	X	X	(WITH O-RING)
	N209312	LENS	2		X	X	(SUB FOR N205021)
6	AH130168	HYDRAULIC RESERVOIR	1	-29SEP7	X	X	(LESS CAP AND HARDWARE) (SUB AH157973)
	AH157973	HYDRAULIC RESERVOIR	1	29SEP7-	X	X	
7	AH116105	SWITCH	1		X	X	
8	R78059	ELECTRICAL PLUG	1		X	X	PACK OF 40
9	R26375	O-RING	1		X	X	16.358 X 2.210 MM (0.644" X 0.087")
10	N205022	RETAINER	2	29SEP7-	X	X	
11	AE41319	GAUGE	2	29SEP7-	X	X	

MEMORANDA

6E4

HYDRAULICS

HYDRAULIC PRESSURE LINES AND HOSES
HP3635 -UN-01JAN94



HP3635

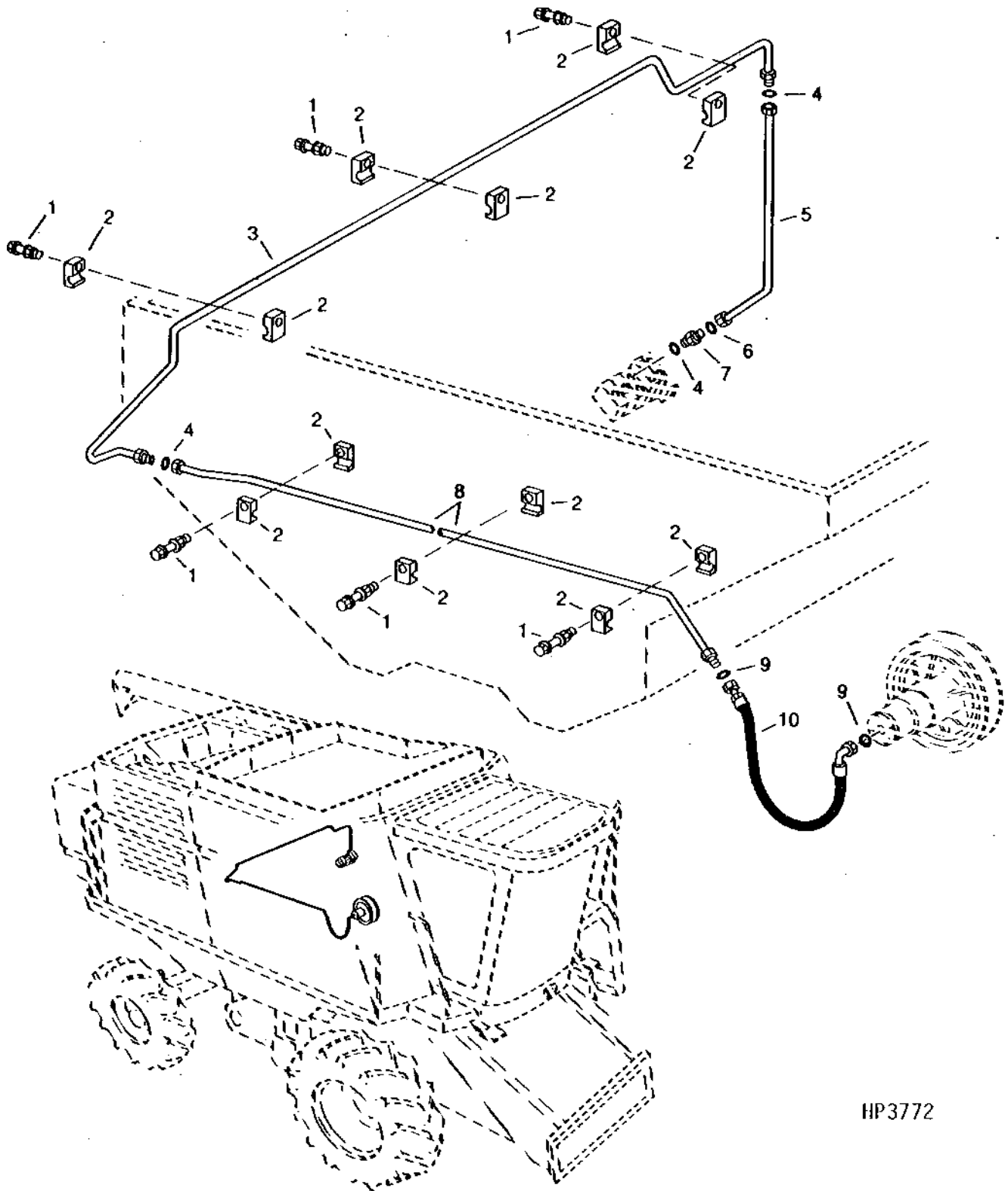
HYDRAULIC PRESSURE LINES AND HOSES - CONTINUED

KEY	PART NO.	PART NAME	QTY	SERIAL NO.	S H 9 5 0 0	REMARKS
1	R26375	O-RING	1		X X	16.358 X 2.210 MM (0.644" X 0.087")
2	38H1317	FITTING	1		X X	
3	T77932	O-RING	3		X X	15.596 X 1.778 MM (0.614" X 0.070")
4	AH129244	OIL LINE	1		X X	
5	H133659	BRACKET	1		X X	
6	H109046	CLAMP	2		X X	
7	H121168	PLATE	1		X X	
8	19M8318	SCREW	1		X X	M8 X 45
	14M7298	FLANGE NUT	1		X X	M8
9	19M7801	SCREW	1		X X	M8 X 60
	14M7298	FLANGE NUT	1		X X	M8
10	H112567	PLATE	2		X X	
11	H111730	CLAMP	2		X X	
12	AH166953	HYDRAULIC HOSE	1		X	(SUB FOR AH128742)
	AH136110	HYDRAULIC HOSE	1		X	1" X 875 MM (34-1/2") X 1"
13	38H1162	ADAPTER	1		X X	
14	R26906	O-RING	1		X X	19.177 X 2.464 MM (0.755" X 0.097")
15	R29936	O-RING	2		X X	29.743 X 2.946 MM (1.171" X 0.116")
16	38H1164	ADAPTER	1		X X	
17	T76938	O-RING	2		X X	23.520 X 1.778 MM (0.926" X 0.070")
18	AH126240	HYDRAULIC HOSE	1		X X	1-7/16" X 600 MM (23-1/2") X 1-7/16"
19	38H1037	ELBOW FITTING	1		X X	
20	03M7184	BOLT	4		X X	M8 X 20 (RD. HEAD)
	14M7396	LOCK NUT	4		X X	M8
21	AH126242	HYDRAULIC HOSE	1		X X	1-7/16" X 730 MM (28-3/4") X 1-7/16"
22	T76938	O-RING	2		X X	23.520 X 1.778 MM (0.926" X 0.070")
23	38H1164	ADAPTER	1		X X	
24	R29936	O-RING	2		X X	29.743 X 2.946 MM (1.171" X 0.116")
25	38H1037	ELBOW FITTING	1		X X	

6E6

HYDRAULICS

CYLINDER SPEED HYDRAULIC LINES AND HOSES
HP3772 -UN-01JAN94



HP3772

6E7

HYDRAULICS

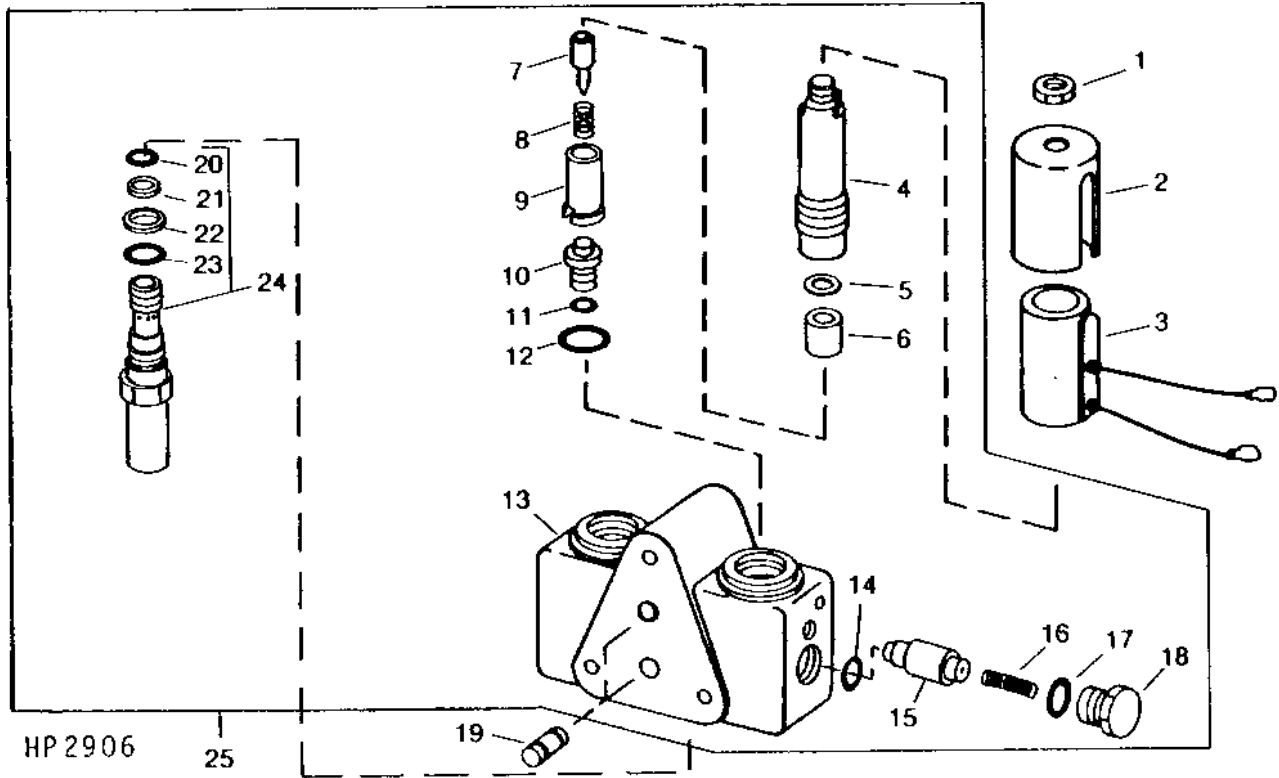
CYLINDER SPEED HYDRAULIC LINES AND HOSES - CONTINUED

KEY	PART NO.	PART NAME	QTY	SERIAL NO.	S H 9 5 0 0	REMARKS
1	19M8317	SCREW	6		X X	M8 X 40
	14M7298	FLANGE NUT	6		X X	M8
2	H127589	CLAMP	12		X X	
3	AH127892	HYDRAULIC LINE	1		X X	
4	R26448	O-RING	3		X X	11.887 X 1.981 MM (0.468" X 5/64")
5	AH128853	HYDRAULIC LINE	1		X X	
6	T77613	O-RING	1		X X	9.246 X 1.778 MM (0.364" X 0.070")
7	AH130629	FITTING	1	-640200	X	
	38H1160	ADAPTER	1	640201-	X X	
8	AH128640	HYDRAULIC LINE	1		X X	
9	T77814	O-RING	2		X X	7.645 X 1.778 MM (0.301" X 0.070")
10	AH128639	HYDRAULIC HOSE	1		X X	9/16" X 410 MM (16-1/4") X 9/16"

6E8

HYDRAULICS

SOLENOID CONTROL RELIEF VALVE MODULE
HP2906 -UN-01JAN94



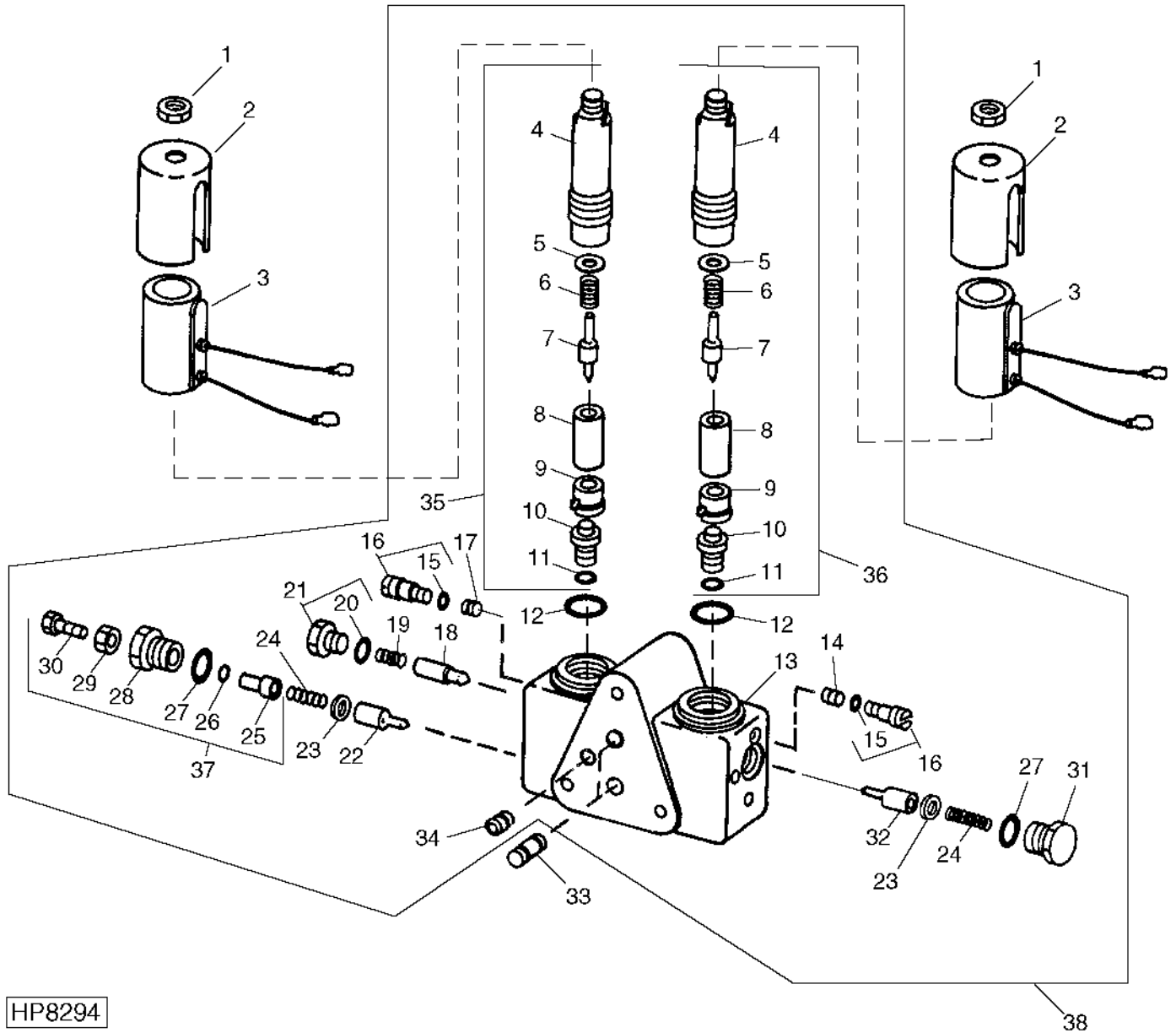
S
H
9 9
5 5
0 0
0 0

KEY	PART NO.	PART NAME	QTY	SERIAL NO.	REMARKS
1	A4655R	NUT	1	X X	12.700 MM (1/2")
2	E62942	COVER	1	X X	
3	AH124731	ELECTRICAL COIL	1	X X	
4	SLEEVE	1	X X	(A) (A)
5	WASHER	1	X X	(A) (B)
6	ARMATURE	1	X X	(A) (A)
7	POPPET	1	X X	(A) (B)
8	SPRING	1	X X	(A) (B)
9	GUIDE	1	X X	(A) (A)
10	ORIFICE	1	X X	(A) (B)
11	U40962	O-RING	1	X X	(A) 6.071 X 1.778 MM (0.239" X 0.070")
12	O-RING	1	X X	(A) (B)
13	HOUSING	1	X X	(NOT SERVICED) (SUB AH131327)
14	R27564	O-RING	1	X X	
15	POPPET	1	X X	
16	SPRING	1	X X	
17	R26906	O-RING	1	X X	19.177 X 2.464 MM (0.755" X 0.097")
18	PIPE PLUG	1	X X	
19	AH131326	SEAL	2	X X	(WITH O-RINGS AND BACKUPS)
20	SEAL	1	X X	(B) (C)
21	O-RING	1	X X	(B) (C)
22	O-RING	1	X X	(B) (C)
23	SEAL	1	X X	(B) (C)
24	AH147085	RELIEF VALVE	1	X X	(SUB FOR AH132162) (CONTOUR MASTER)
25	AH147097	VALVE	1	X X	(SUB FOR AH131327) UNLOAD (RELIEF) (CONTOUR MASTER)
..	AH134833	SEAL KIT	1	X X	(SUB FOR AH131328 OR AE37060) INCLUDES PARTS MARKED (A)
..	AH148472	SEAL KIT	1	X X	(SUB FOR AH132161) INCLUDES PARTS MARKED (B)

MEMORANDA

SOLENOID CONTROL VALVE FOR HEADER LIFT MODULE

HP8294 -UN-05MAR99



HP8294

6E10

HYDRAULICS

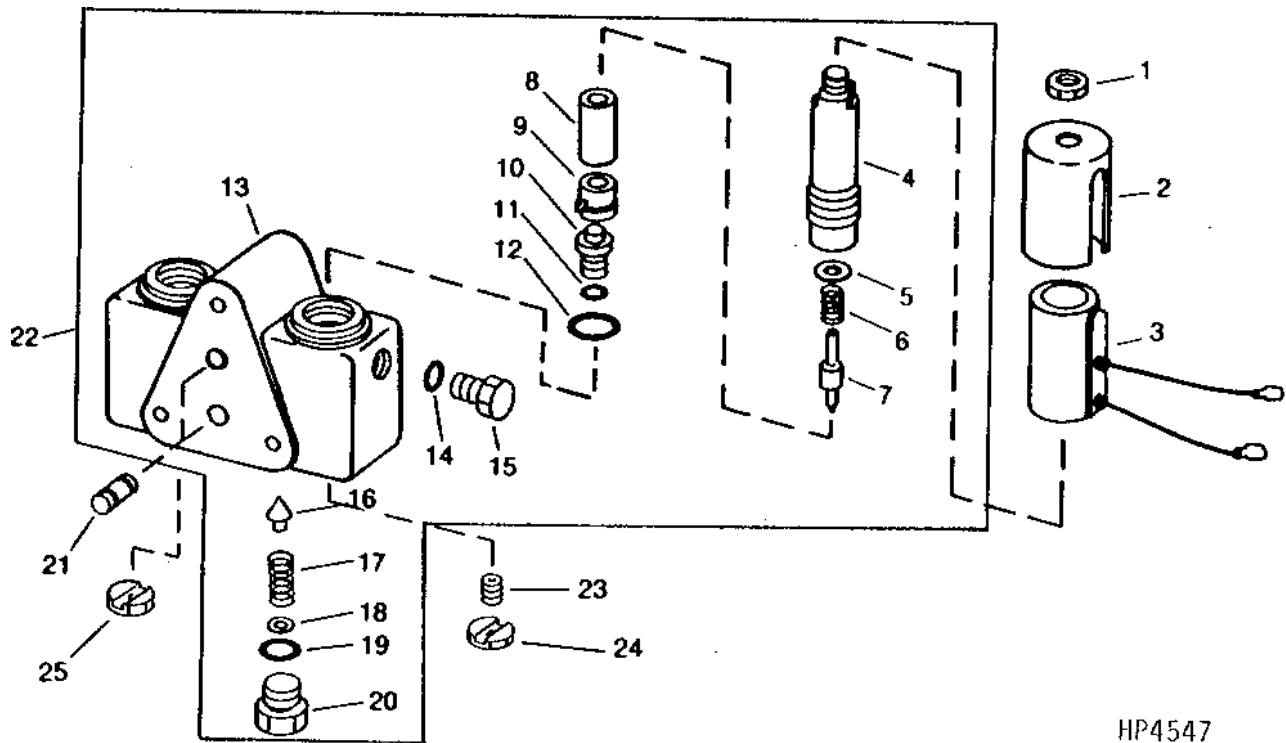
SOLENOID CONTROL VALVE FOR HEADER LIFT MODULE - CONTINUED

KEY	PART NO.	PART NAME	QTY	SERIAL NO.	S H 9 9 5 5 0 0 0 0	REMARKS
1	A4655R	NUT	2		X X	12.700 MM (1/2")
2	E62942	COVER	2		X X	
3	AH124731	ELECTRICAL COIL	2		X X	
4	SLEEVE	2		X X	(B),(D)
5	WASHER	2		X X	(C),(D)
6	E62089	SPRING	2		X X	(C),(D)
7	POPPET	2		X X	(C),(D)
8	ARMATURE	2		X X	(B),(D)
9	SOLENOID	2		X X	(B),(D)
10	ORIFICE	2		X X	(C),(D)
11	U40962	O-RING	2		X X	6.071 X 1.778 MM (0.239" X 0.070") (C),(D)
12	T75984	O-RING	2		X X	20.345 X 1.778 MM (0.801" X 0.070") (D)
13	HOUSING	1		X X	(SUB AH142450)
14	ORIFICE	1		X X	
15	T26257	O-RING	2		X X	2.565 X 1.778 MM (0.101" X 0.070")
16	AE38734	PLUG	2		X X	
17	ORIFICE	1		X X	
18	E66620	CHECK VALVE	1		X X	(D)
19	E66619	SPRING	1		X X	
20	R28782	O-RING	1		X X	8.915 X 1.829 MM (0.351" X 0.072")
21	AN122518	FITTING	1		X X	
22	H142183	CHECK VALVE	1		X X	(D)
23	P51212	O-RING	2	-650200	X X	10.820 X 1.778 MM (0.426" X 0.070")
	H148775	O-RING	2	650201-	X X	10.668 X 13.716 X 1.524 MM (0.420" X 0.540" X 0.060") (D)
24	E66618	SPRING	2		X X	
25	STOP	1		X X	(A)
26	U42902	RING	1		X X	(A)
27	R26448	O-RING	2		X X	11.887 X 1.981 MM (0.468" X 5/64") (A)
28	CAP	1		X X	(A)
29	14H850	NUT	1		X X	1/4"
30	19H1914	CAP SCREW	1		X X	1/4" X 1"
31	CAP	1		X X	
32	POPPET	1		X X	(SUB AH142450)
33	AH131326	SEAL	2		X X	(WITH O-RING AND BACK-UP RING)
34	AH131405	SEAL	1		X X	(WITH O-RING AND BACK-UP RING)
35	AE50995	POPPET	1		X X	(SUB FOR AE49777) INCLUDES PARTS MARKED (C)
36	AH139240	KIT	1		X X	(SUB AZ51851) (SUB FOR AH96359) INCLUDES PARTS MARKED (B)
	AZ51851	GUIDE	1		X X	
37	AE38021	KIT	1		X X	INCLUDES PARTS MARKED (A)
38	AH131404	VALVE	1	-650200	X X	(SUB AH142450)
	AH142450	VALVE	1	-661545	X X	(SUB AH147084)
	AH147084	VALVE	1	661546-	X X	(CONTOUR MASTER)
..	AH151400	SEAL KIT	1	667715-	X X	INCLUDES PARTS MARKED (D)

6E11

HYDRAULICS

SOLENOID CONTROL VALVE FOR REEL LIFT / VARIABLE AND CYLINDER SPEED
HP4547 -UN-01JAN94



HP4547

6E12

HYDRAULICS

SOLENOID CONTROL VALVE FOR REEL LIFT/VARIABLE AND CYLINDER SPEED-CONT.

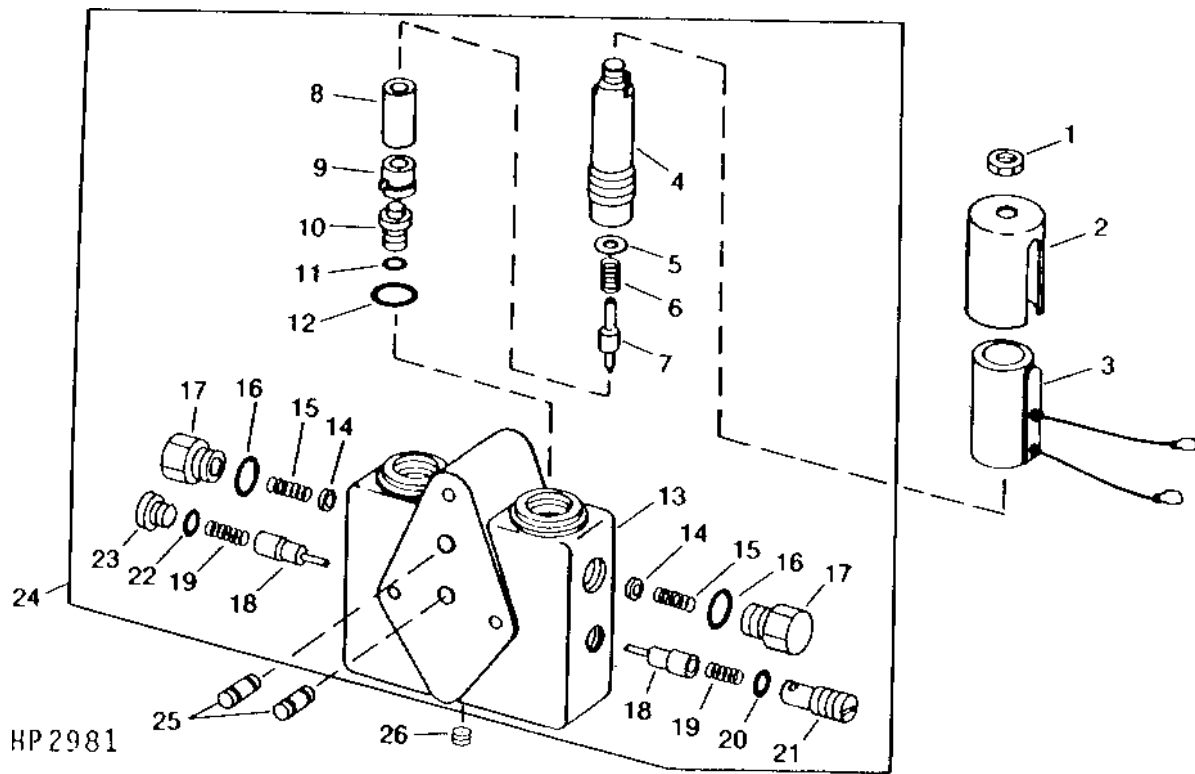
KEY	PART NO.	PART NAME	QTY	SERIAL NO.	S H 9 5 0 0	REMARKS
1	A4655R	NUT	2		X X	12.700 MM (1/2")
2	E62942	COVER	2		X X	
3	AH124731	ELECTRICAL COIL	2		X X	
4	SLEEVE	2		X X	(A)
5	WASHER	2		X X	(B)
6	E62089	SPRING	2		X X	(B)
7	POPPET	2		X X	(B)
8	ARMATURE	2		X X	(A)
9	SOLENOID	2		X X	(A)
10	ORIFICE	2		X X	(B)
11	U40962	O-RING	2		X X	6.071 X 1.778 MM (0.239" X 0.070") (B)
12	T75984	O-RING	2		X X	20.345 X 1.778 MM (0.801" X 0.070")
13	HOUSING	2		X X	(NOT SERVICED) (SUB AH131419)
14	R30903	O-RING	1		X X	6.071 X 1.626 MM (0.239" X 0.064")
15	K40994	FITTING	1		X X	(NO LONGER AVAILABLE)
16	POPPET	1		X X	(C)
17	SPRING	1		X X	(C)
18	SHIM	AR		X X	(C)
19	R28782	O-RING	1		X X	8.915 X 1.829 MM (0.351" X 0.072") (C)
20	PLUG	1		X X	(C)
21	AH131326	SEAL	2		X X	(WITH O-RING AND BACKUP RING)
22	AH131419	VALVE	1	-640200	X	(SUB AH139060 AND E62917 AND H145051 AND H145052 AND (2) 38H1160)
	AH139060	VALVE	1	640201-	X X	LESS COILS,CONNECTING TUBES AND ORIFICE
23	E62917	ORIFICE	1	640201-	X X	.508 MM DIA.
24	H145052	APERTURE	1	640201-	X X	.406 MM DIA.
25	H145051	APERTURE	1	640201-	X X	.940 MM DIA.
..	AH139240	KIT	2		X X	ARMATURE (INCLUDES PARTS MARKED (A)) (SUB AZ51851) (SUB FOR AH96359)
..	AH131420	SEAT KIT	2		X X	POPPET (INCLUDES PARTS MARKED (B))
..	AH131421	SEAT KIT	1		X X	RELIEF (INCLUDES PARTS MARKED (C))
..	AZ51851	GUIDE	1		X X	(INCLUDES PARTS MARKED (A)) POPPET

6E13

SOLENOID CONTROL VALVE FOR AUGER SWING

(-650200)

HP2981 -UN-01JAN94



HP2981

6E14

HYDRAULICS

SOLENOID CONTROL VALVE FOR AUGER SWING - CONTINUED

(-650200)

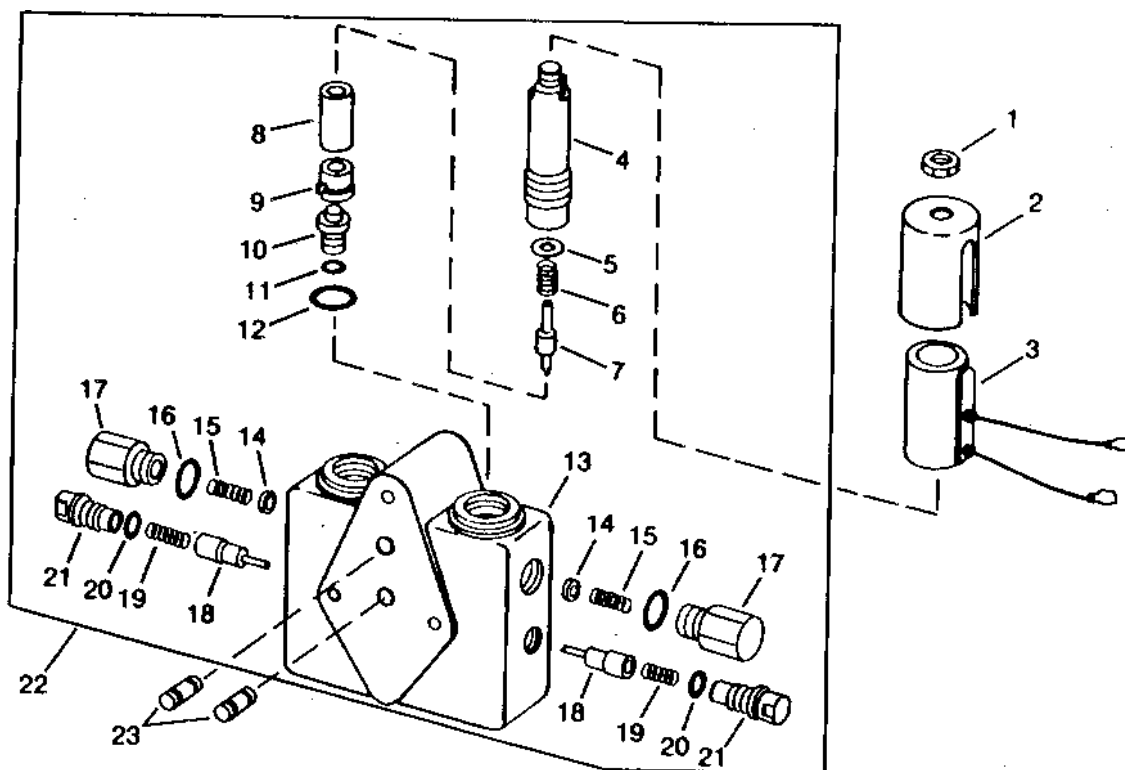
KEY	PART NO.	PART NAME	QTY	SERIAL NO.	S H 9 5 0 0 0 0	REMARKS
1	A4655R	NUT	2		X X	12.700 MM (1/2")
2	E62942	COVER	2		X X	
3	AH124731	ELECTRICAL COIL	2		X X	
4	SLEEVE	2		X X	(A)
5	WASHER	2		X X	(B)
6	E62089	SPRING	2		X X	(B)
7	POPPET	2		X X	(B)
8	ARMATURE	2		X X	(A)
9	SOLENOID	2		X X	(A)
10	ORIFICE	2		X X	(B)
11	U40962	O-RING	2		X X	6.071 X 1.778 MM (0.239" X 0.070") (B)
12	T75984	O-RING	2		X X	20.345 X 1.778 MM (0.801" X 0.070")
13	HOUSING	1		X X	(SUB AZ47075)
14	E62094	WASHER	2		X X	7.620 X 17.526 X 2.388 MM
15	E62093	SPRING	2	-650383	X X	(SUB AE49003)
	AE49003	KIT	2		X X	
16	R26906	O-RING	2		X X	19.177 X 2.464 MM (0.755" X 0.097")
17	E62092	PIPE PLUG	2		X X	(SUB AE49003)
	AE49003	KIT	2		X X	
18	AH131460	CHECK VALVE	2		X X	
19	SPRING	2		X X	
20	U40745	O-RING	1		X X	15.545 X 2.616 MM (0.612" X 0.103")
21	CAP	1		X X	
22	R26448	O-RING	1		X X	11.887 X 1.981 MM (0.468" X 5/64")
23	CAP	1		X X	
24	AZ47075	VALVE	1	650201-	X X	(SUB AH147086) (SUB FOR AH131461)
25	AH131326	SEAL	2		X X	(WITH O-RING AND BACK-UP RING)
26	H135776	ORIFICE	1		X X	1.067 MM DIA.
..	AH139240	KIT	2	640201-	X X	(SUB FOR AH96359) (SUB AZ51851) ARMATURE (INCLUDES PARTS MARKED (A))
..	AE49777	POPPET	2		X X	(SUB FOR (2) AE37848) POPPET (INCLUDES PARTS MARKED (B))
..	AZ51851	GUIDE	2		X X	POPPET (INCLUDES PARTS MARK (A))

6E15

HYDRAULICS

SOLENOID CONTROL VALVE FOR AUGER SWING

(650201-)
HP5293 -UN-01JAN94



HP5293

S
H
9 9
5 5
0 0
0 0

KEY	PART NO.	PART NAME	QTY	SERIAL NO.	REMARKS
1	A4655R	NUT	2	X X	12.700 MM
2	E62942	COVER	2	X X	
3	AH124731	ELECTRICAL COIL	2	X X	
4	SLEEVE	2	X X	
5	WASHER	2	X X	
6	E62089	SPRING	2	X X	
7	POPPET	2	X X	
8	ARMREST	2	X X	
9	SOLENOID	2	X X	
10	ORIFICE	2	X X	
11	U40962	O-RING	2	X X	6.071 X 1.778 MM (0.239" X 0.070")
12	T75984	O-RING	2	X X	20.345 X 1.778 MM (0.801" X 0.070")
13	HOUSING	1	X X	(SUB AZ47075)
14	E62094	WASHER	2	X X	7.620 X 17.526 X 2.388 MM
15	SPRING	2	X X	(KIT AE49003)
16	R26906	O-RING	2	X X	19.177 X 2.464 MM (0.755" X 0.097") (KIT AE49003)
17	PIPE PLUG	2	X X	(KIT AE49003)
18	CHECK VALVE	2	X X	(SUB AH142731)
19	SPRING	2	X X	(SUB AH142731)
20	U40745	O-RING	2	X X	15.545 X 2.616 MM (0.612" X 0.103") (SUB AH142731)
21	CAP	2	X X	(SUB AH142731)
22	AZ47075	VALVE	1	-661545	(SUB AH147086)
	AH147086	VALVE	1	X X	
23	AH131326	SEAL	2	X X	
..	AH139240	KIT	2	X X	(SUB AZ51851)
..	AE37848	KIT	2	X X	
..	AZ51851	GUIDE	2	X X	POPPET

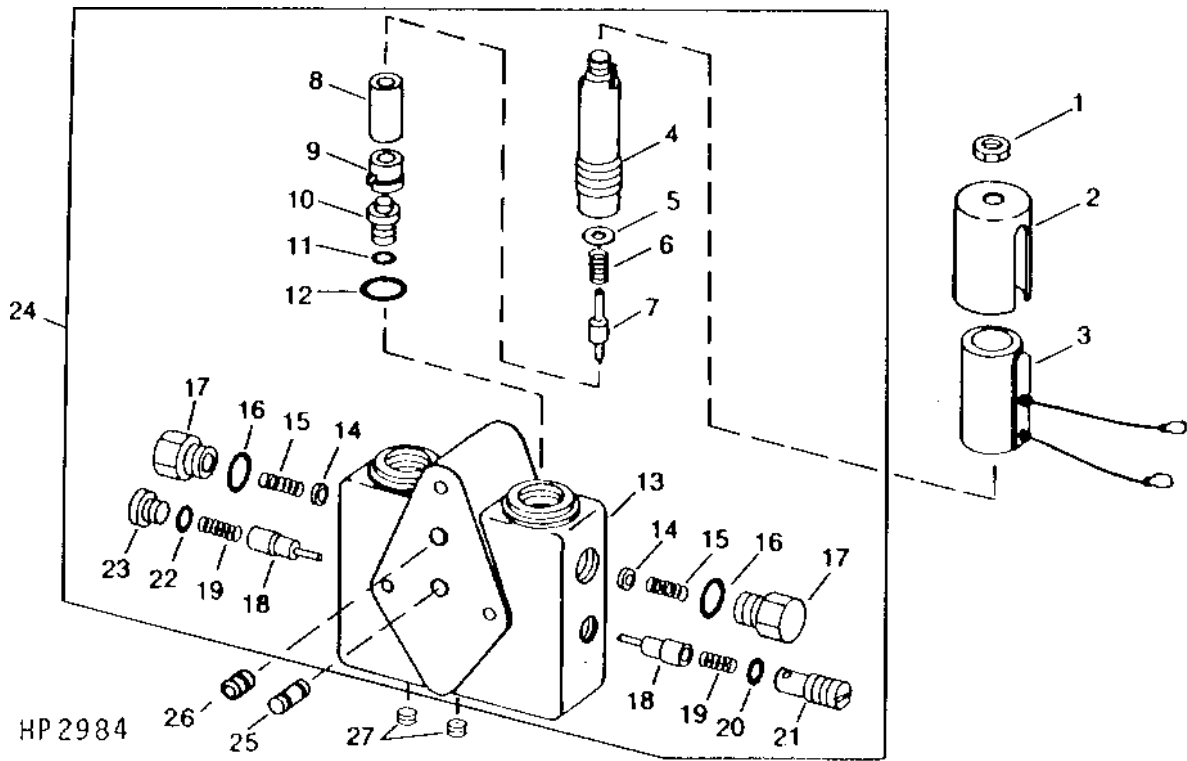
MEMORANDA

6E16

SOLENOID CONTROL VALVE FOR REEL FORE / AFT

(-650200)

HP2984 -UN-01JAN94



6E17

HYDRAULICS

SOLENOID CONTROL VALVE FOR REEL FORE / AFT - CONTINUED

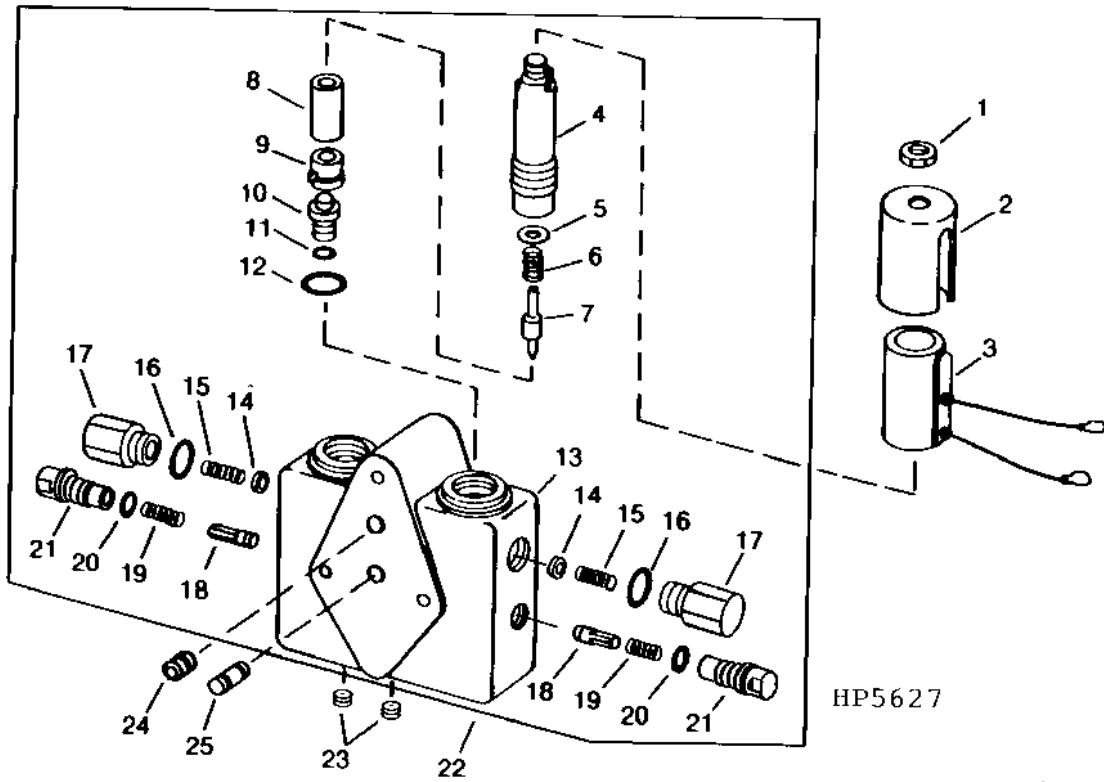
(-650200)

KEY	PART NO.	PART NAME	QTY	SERIAL NO.	S H 9 5 0 0 0 0	REMARKS
1	A4655R	NUT	2		X X	12.700 MM (1/2")
2	E62942	COVER	2		X X	
3	AH124731	ELECTRICAL COIL	2		X X	
4	SLEEVE	2		X X	(A)
5	WASHER	2		X X	(B)
6	E62089	SPRING	2		X X	(B)
7	POPPET	2		X X	(B)
8	ARMATURE	2		X X	(A)
9	SOLENOID	2		X X	(A)
10	ORIFICE	2		X X	(B)
11	U40962	O-RING	2		X X	6.071 X 1.778 MM (0.239" X 0.070") (B)
12	T75984	O-RING	2		X X	20.345 X 1.778 MM (0.801" X 0.070")
13	HOUSING	1		X X	(SUB AH131461)
14	E62094	WASHER	2		X X	7.620 X 17.526 X 2.388 MM (0.300" X 0.690" X 3/32")
15	E62093	SPRING	2	-650383	X X	(SUB AE49003)
	AE49003	KIT	2		X X	
16	R26906	O-RING	2		X X	19.177 X 2.464 MM (0.755" X 0.097")
17	E62092	PIPE PLUG	2		X X	(SUB AE49003)
18	AH131460	CHECK VALVE	2		X X	
19	SPRING	2		X X	
20	U40745	O-RING	1		X X	15.545 X 2.616 MM (0.612" X 0.103")
21	CAP	1		X X	
22	R26448	O-RING	1		X X	11.887 X 1.981 MM (0.468" X 5/64")
23	CAP	1		X X	
24	AZ47075	VALVE	1	650201-	X X	(LESS COILS AND CONNECTING TUBES) (SUB AH147086) (SUB FOR AH131461)
25	AH131405	SEAL	1		X X	(WITH O-RING AND BACK-UP RING)
26	AH131326	SEAL	1		X X	(WITH O-RING AND BACK-UP RING)
27	H135777	ORIFICE	2		X X	0.76 MM DIA.
..	AH139240	KIT	2		X X	(SUB AZ51851) (SUB FOR AH96359) ARMATURE (INCLUDES PARTS MARKED (A))
..	AE49777	POPPET	2		X X	(SUB FOR (2) AE37848) POPPET (INCLUDES PARTS MARKED (B))
..	AZ51851	GUIDE	2		X X	POPPET(INCLUDES PARTS MARKED (A))

6E18

SOLENOID CONTROL VALVE FOR REEL FORE / AFT AND AUGER SWING

(650201-)
HP5627 -UN-01JAN94



6E19

HYDRAULICS

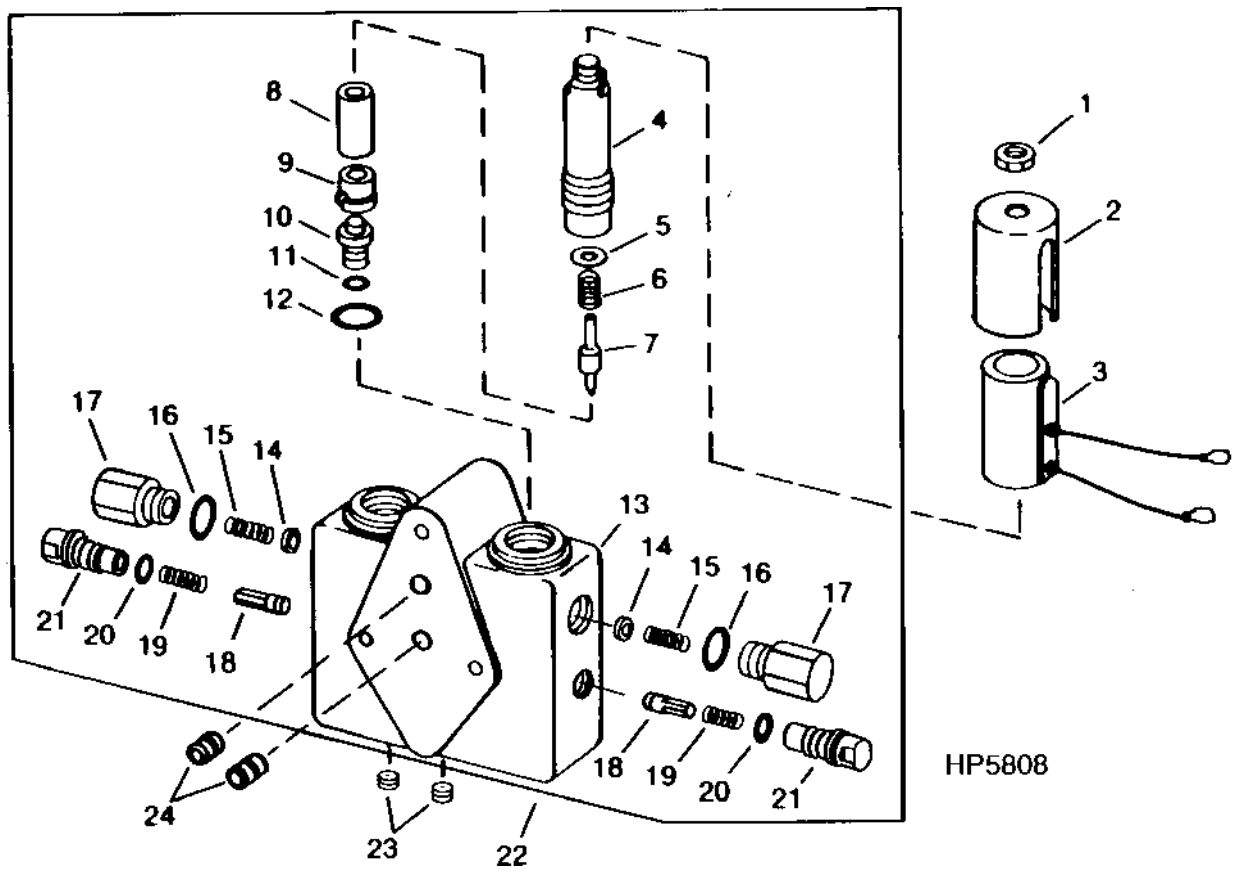
SOLENOID CONTROL VALVE FOR REEL FORE / AFT AND AUGER SWING - CONTINUED
(650201-)

KEY	PART NO.	PART NAME	QTY	SERIAL NO.	REMARKS
					S H 9 9 5 5 0 0 0 0
1	A4655R	NUT	2	X X	12.700 MM (1/2")
2	E62942	COVER	2	X X	
3	AH124731	ELECTRICAL COIL	2	X X	
4	SLEEVE	2	X X	(A) (A)
5	WASHER	2	X X	(A) (B) (B)
6	SPRING	2	X X	(A) (B) (B)
7	POPPET	2	X X	(A) (B) (B)
8	ARMATURE	2	X X	(A) (A)
9	SOLENOID	2	X X	(A) (A)
10	ORIFICE	2	X X	(A) (B) (B)
11	O-RING	2	X X	(B) (B)
12	O-RING	2	X X	(A)
13	HOUSING	1	X X	
14	E62094	WASHER	2	X X	7.620 X 17.526 X 2.388 MM (0.300" X 0.690" X 3/32")
15	SPRING	2	X X	(C)
16	O-RING	2	X X	(C)
17	PIPE PLUG	2	X X	(C)
18	CHECK VALVE	2	X X	(D)
19	SPRING	2	X X	(D)
20	O-RING	2	X X	(D)
21	CAP	2	X X	
22	AH147086	VALVE	1	X X	(SUB FOR AZ47075)
23	H135777	ORIFICE	2	X X	0.76 MM DIA.
24	AH131326	SEAL	2	X X	(WITH O-RING AND BACK-UP RING)
25	AH131405	SEAL	1	X X	(WITH O-RING AND BACK-UP RING)
..	AZ51581	SHIELD	1	X X	(SUB FOR AH139240) INCLUDES PARTS MARKED (A)
..	AE49777	POPPET	1	X X	INCLUDES PARTS MARKED (B)
..	AE49003	KIT	1	X X	INCLUDES PARTS MARKED (C)
..	AH142731	KIT	1	X X	INCLUDES PARTS MARKED (D)

6E20

SOLENOID CONTROL VALVE FOR CONTOUR MASTER

(660201-)
HP5808 -UN-14OCT94



6E21

HYDRAULICS

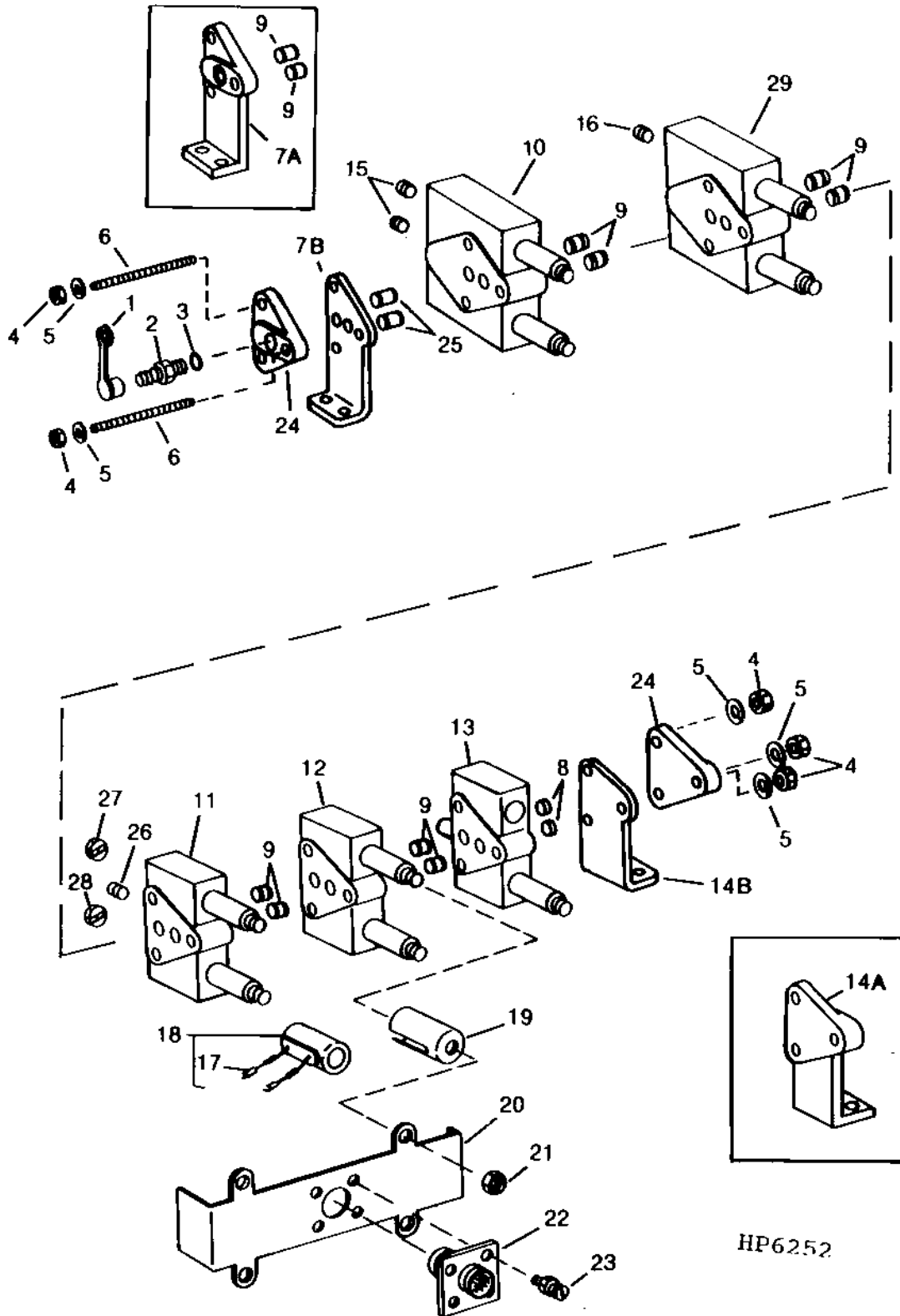
SOLENOID CONTROL VALVE FOR CONTOUR MASTER - CONTINUED
(660201-)

KEY	PART NO.	PART NAME	QTY	SERIAL NO.	REMARKS
					S H 9 9 5 5 0 0 0 0
1	A4655R	NUT	2	X	12.700 MM (1/2")
2	E62942	COVER	2	X	
3	AH124731	ELECTRICAL COIL	2	X	
4	SLEEVE	2	X	(A)
5	WASHER	2	X	(A) (B)
6	E62089	SPRING	2	X	(A) (B)
7	POPPET	2	X	(A) (B)
8	ARMATURE	2	X	(A)
9	SOLENOID	2	X	(A)
10	ORIFICE	2	X	(A) (B)
11	U40962	O-RING	2	X	(B)
12	T75984	O-RING	2	X	(A)
13	HOUSING	1	X	(USE AZ47075)
14	E62094	WASHER	2	X	7.620 X 17.526 X 2.388 MM (0.300" X 0.690" X 3/32")
15	SPRING	2	X	(C)
16	R26906	O-RING	2	X	(C) 19.177 X 2.464 MM (0.755" X 0.097")
17	PIPE PLUG	2	X	(C)
18	CHECK VALVE	2	X	(D)
19	SPRING	2	X	(D)
20	U40745	O-RING	2	X	(D) 15.545 X 2.616 MM (0.612" X 0.103")
21	CAP	2	X	
22	AZ47075	VALVE	1	-661545 X	(SUB AH147086) (LESS COILS AND CONNECTING TUBES)
..	AH147086	VALVE	1	X	
23	H149804	ORIFICE	2	X	
24	AH131326	SEAL	2	X	(WITH O-RING AND BACK-UP RING)
..	AH139240	KIT	2	X	(SUB AZ51851) ARMATURE (INCLUDES PARTS MARKED (A))
..	AE49777	POPPET	2	X	POPPET (INCLUDES PARTS MARKED (B))
..	AE49003	KIT	2	X	SPRING KIT (INCLUDES PARTS MARKED (C))
..	AH142731	KIT	2	X	CHECK VALVE KIT (INCLUDES PARTS MARKED (D))
..	AZ51851	GUIDE	2	X	POPPET(INCLUDES PARTS MARKED (A))

6E22

HYDRAULICS

SOLENOID CONTROL VALVE MODULE ASSEMBLY AND MOUNTINGS
HP6252 -UN-04JAN96



HP6252

6E23

HYDRAULICS

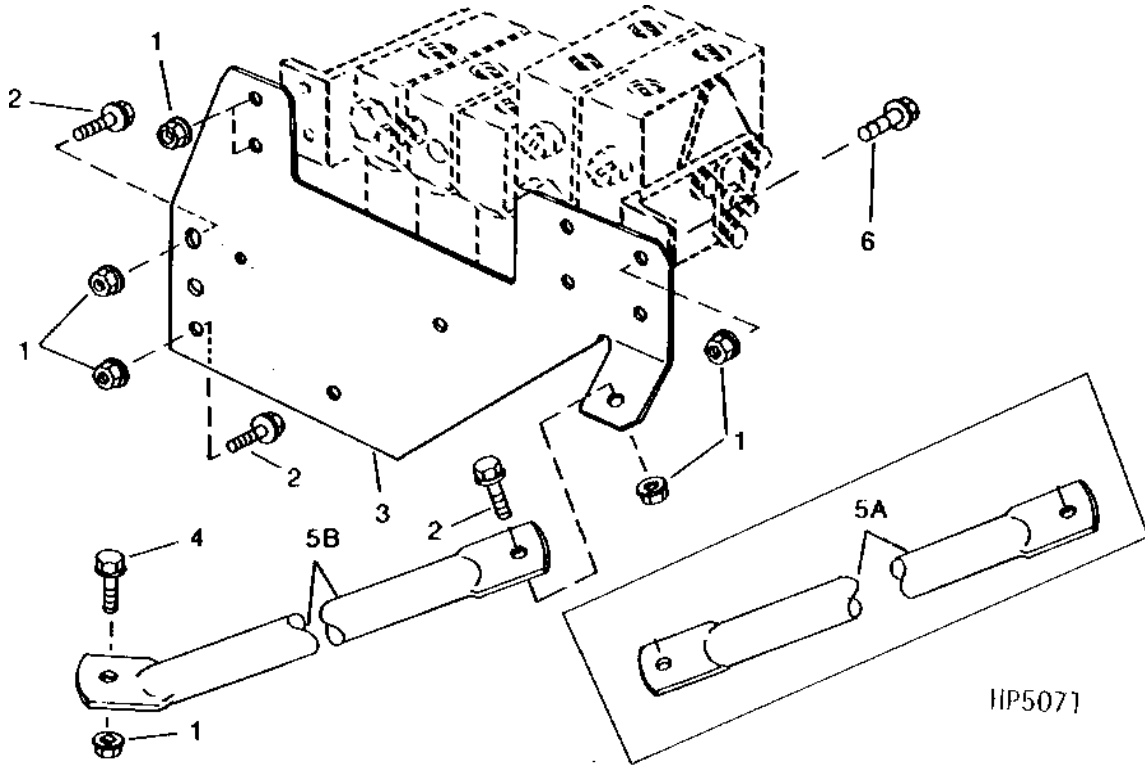
SOLENOID CONTROL VALVE MODULE ASSEMBLY AND MOUNTINGS- CONTINUED

KEY	PART NO.	PART NAME	QTY	SERIAL NO.	S H 9 5 0 0	REMARKS
1	R77175	COVER	1		X X	
2	AH125760	HYD. QUICK-CONNECT COUPLER	1		X X	
3	R26448	O-RING	1		X X	11.887 X 1.981 MM (0.468" X 5/64")
4	14H786	NUT	6		X X	1/4"
5	12H297	LOCK WASHER	6		X X	1/4"
6	E62892	STUD	3		X X	1/4" X 11-3/4" 1/4" X 11-3/4" (CUT TO LENGTH)
7A	H135897	BRACKET	1	-635200	X	(SUB H139513 AND H139515 AND (2) AH134733)
7B	H139513	BRACKET	1	635201-	X X	
8	AH131405	SEAL	3		X X	
9	AH131326	SEAL	AR		X X	(WITH 5 MODULES-USE 9; WITH 4 MODULES-USE 7)
10	AH131461	SOLENOID VALVE	AR	-650383	X X	(REEL FORE/AFT) (SUB AZ47075)
	AZ47075	VALVE	AR	-661545	X X	(REEL FORE/AFT) (SUB AH147086)
	AH147086	VALVE	AR		X X	
11	AH131419	VALVE	1	-640200	X	(SUB AH139060 AND E62917 AND H145051 AND H145052 AND (2) 38H1160) (REEL LIFT/CYLINDER SPEED)
	AH139060	VALVE	1	640201-	X X	(SUB AH139060 AND E62917 AND H145051 AND H145052 AND (2) 38H1160) (REEL LIFT/CYLINDER SPEED)
12	AH131404	VALVE	1	-650383	X X	(HEADER LIFT) (SUB AH142450)
	AH142450	VALVE	1	-661545	X X	(SUB AH147084)
	AH147084	VALVE	1	661546-	X X	(CONTOUR MASTER)
13	AH131327	VALVE	1	-661545	X X	(RELIEF VALVE) (SUB AH147097)
	AH147097	VALVE	1	661546-	X X	(RELIEF) (CONTOUR MASTER)
14A	BRACKET	1	-635200	X	
14B	H139512	BRACKET	1	635201-	X X	
15	H135777	ORIFICE	2		X X	0.76MM DIA.
16	H135776	ORIFICE	1		X X	1.06MM DIA.
17	R77464	PIN CONTACT	AR		X X	(PACKAGE OF 50)
18	AH124731	ELECTRICAL COIL	AR		X X	(WITH 5 MODULES-USE 9; WITH 4 MODULES-USE 7)
19	E62942	COVER	AR		X X	(WITH 5 MODULES-USE 9; WITH 4 MODULES-USE 7)
20	H135898	COVER	1		X X	
21	A4655R	NUT	AR		X X	(WITH 5 MODULES-USE 9; WITH 4 MODULES-USE 7)
22	57M7199	RECEPTACLE	1		X X	(24 WAY)
23	21H1290	SCREW	4		X X	0.138" X 1/2"
	14H1026	NUT	4		X X	0.138"
24	H139515	MANIFOLD	2	635201-	X X	
25	AH134733	SEAL	2	635201-	X X	
26	E62917	ORIFICE	1	640201-	X X	.508 MM DIA
27	H145052	APERTURE	1	640201-	X X	.406 MM DIA.
28	H145051	APERTURE	1	640201-	X X	.940 MM DIA.
29	AZ47075	VALVE	1	-661545	X X	(SUB AH147086) (AUGER EXTENT/RETRACT)
	AH147086	VALVE	1		X X	

6E24

HYDRAULICS

SOLENOID CONTROL VALVE BRACKETS
HP5071 -UN-01JAN94



KEY	PART NO.	PART NAME	QTY	SERIAL NO.	S	H	REMARKS
					9	9	
					5	5	
					0	0	
					0	0	
1	14M7298	FLANGE NUT	8		X	X	M8
2	19M7866	SCREW	AR		X	X	M8 X 20
3	H159291	BRACKET	1		X	X	(SUB H166148) (SUB FOR H132853)
	H166148	BRACKET	1		X	X	
4	19M7803	SCREW	1		X	X	M8 X 70
5A	H132837	BRACE	1	-645783	X		(SUB H146535)
5B	H146535	SUPPORT	1	645784-29SE97	X	X	
	H158638	BRACE	1	29SE97-	X	X	
6	19M7897	SCREW	4		X	X	M8 X 35
..	BH80538	COMPLETE GOODS/SHIP. BUNDLE	1		X	X	CLEANING FAN SHIELDING, NARROW
..	BH80539	COMPLETE GOODS/SHIP. BUNDLE	1		X	X	CLEANING FAN SHIELDING, SIDEHILL

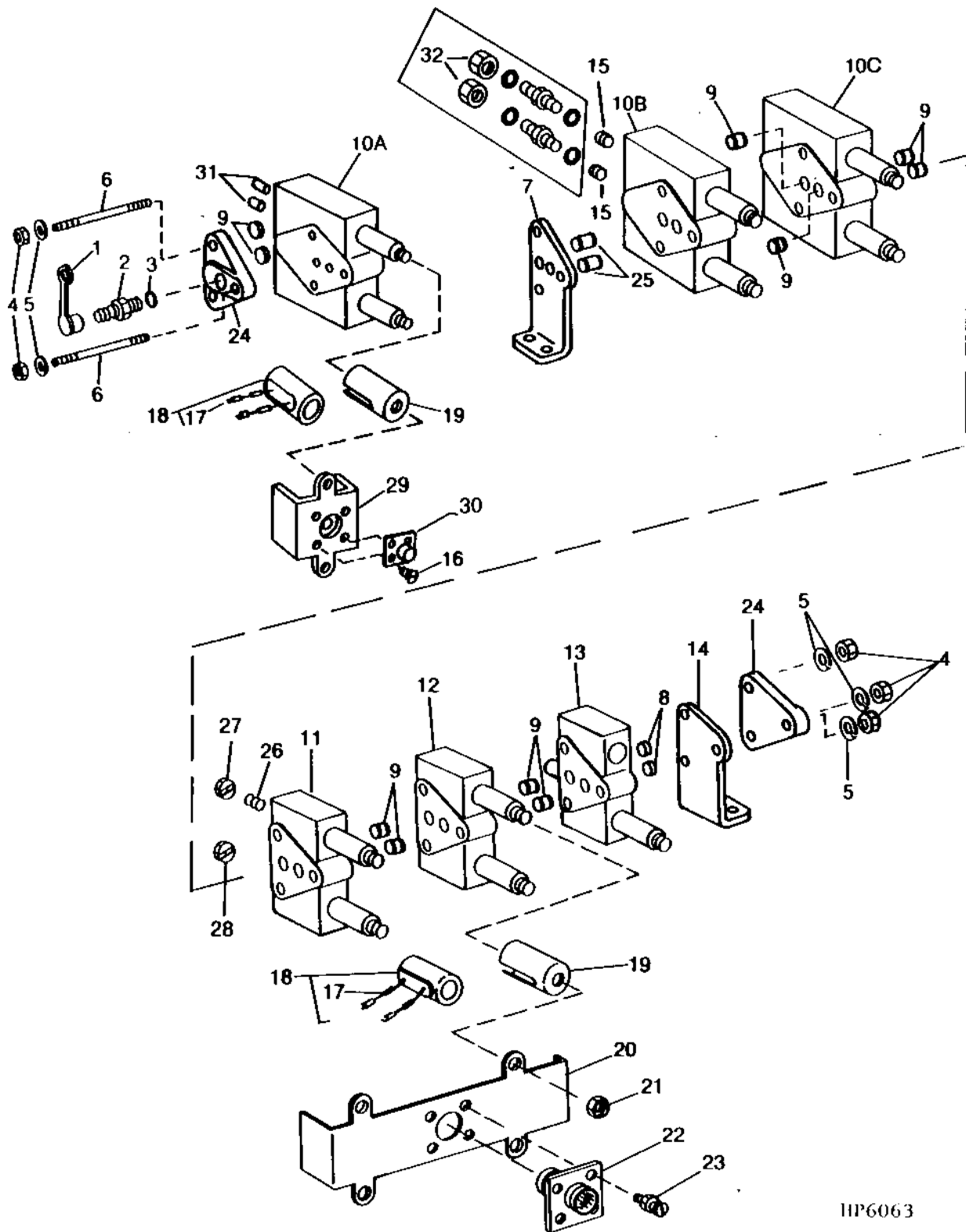
MEMORANDA

6F1

HYDRAULICS

SIX STACK SOLENOID CONTROL VALVE MODULE ASSEMBLY AND MOUNTINGS

(660201-)
HP6063 -UN-27APR95



HP6063

6F2

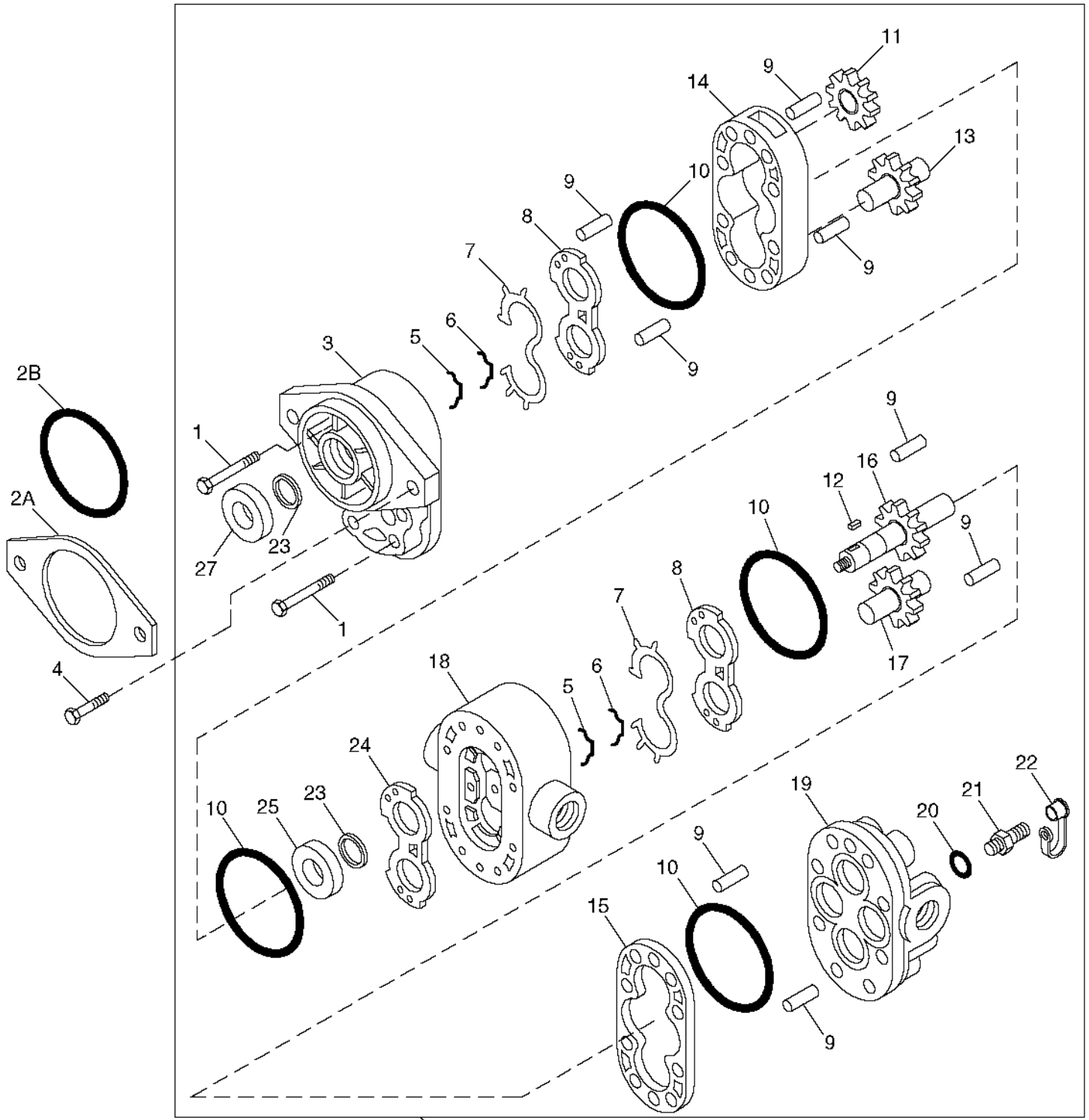
HYDRAULICS

SIX STACK SOLENOID CONTROL VALVE MODULE ASSEMBLY AND MOUNTINGS - CONTINUED
(660201-)

KEY	PART NO.	PART NAME	QTY	SERIAL NO.	S H 9 5 0 0 0 0	REMARKS
1	R77175	COVER	1		X	
2	AH125760	HYD. QUICK-CONNECT COUPLER	1		X	
3	R26448	O-RING	1		X	
4	14H786	NUT	6		X	6.350 MM (1/4")
5	12H297	LOCK WASHER	6		X	6.350 MM (1/4")
6	H149803	TIE ROD	3		X	1/4" X 13-1/2" (CUT TO LENGTH)
7	H139513	BRACKET	1		X	(USE WITH H139515 AND (2) AH134733)
8	AH131405	SEAL	2		X	
9	AH131326	SEAL	10		X	
10A	AZ47075	VALVE	1	-661545	X	(SUB AH147086) CONTOUR MASTER
	AH147086	VALVE	1		X	CONTOUR MASTER
10B	AZ47075	VALVE	1	-661545	X	(SUB AH147086) REEL FORE/AFT
	AH147086	VALVE	1		X	REEL FORE/AFT
10C	AZ47075	VALVE	1	-661545	X	(SUB AH147086) AUGER SWING
	AH147086	VALVE	1		X	AUGER SWING
11	AH139060	VALVE	1		X	(USE WITH E62917, H145051, H145052 AND (2) 38H1160) REEL LIFT/CYLINDER SPEED
12	AH142450	VALVE	1	-661545	X	(SUB AH147084) HEADER LIFT
	AH147084	VALVE	1		X	(CONTOUR MASTER)
13	AH131327	VALVE	1	-661545	X	(SUB AH147097) RELIEF VALVE
	AH147097	VALVE	1		X	UNLOAD (RELIEF) (CONTOUR MASTER)
14	H139512	BRACKET	1		X	(USE WITH H139515)
15	H135777	ORIFICE	2		X	0.76 MM DIA.
16	M71770	SCREW	4		X	
17	R77464	PIN CONTACT	AR		X	(PKG. OF 50)
18	AH124731	ELECTRICAL COIL	11		X	
19	E62942	COVER	11		X	
20	H135898	COVER	1		X	
21	A4655R	NUT	11		X	
22	57M7199	RECEPTACLE	1		X	(24 WAY)
23	21H1290	SCREW	4		X	3.505 X 12.700 MM (0.138" X 1/2")
	14H1026	NUT	4		X	3.505 MM (0.138")
24	H139515	MANIFOLD	2		X	
25	AH134733	SEAL	2		X	
26	E62917	ORIFICE	1		X	0.508 MM DIA.
27	H145052	APERTURE	1		X	0.406 MM DIA.
28	H145051	APERTURE	1		X	0.940 MM DIA.
29	H150062	COVER	1		X	
30	RECEPTACLE	1		X	(4 PIN CONNECTOR)
31	H149804	ORIFICE	2		X	1.19 MM DIA.
32	38H1415	FITTING PLUG	2		X	(W/CONTOUR MASTER) (W/O REEL FORE/AFT)

6F3

MAIN HYDRAULIC PUMP
HP9204 -UN-25OCT99



HP9204

6F4

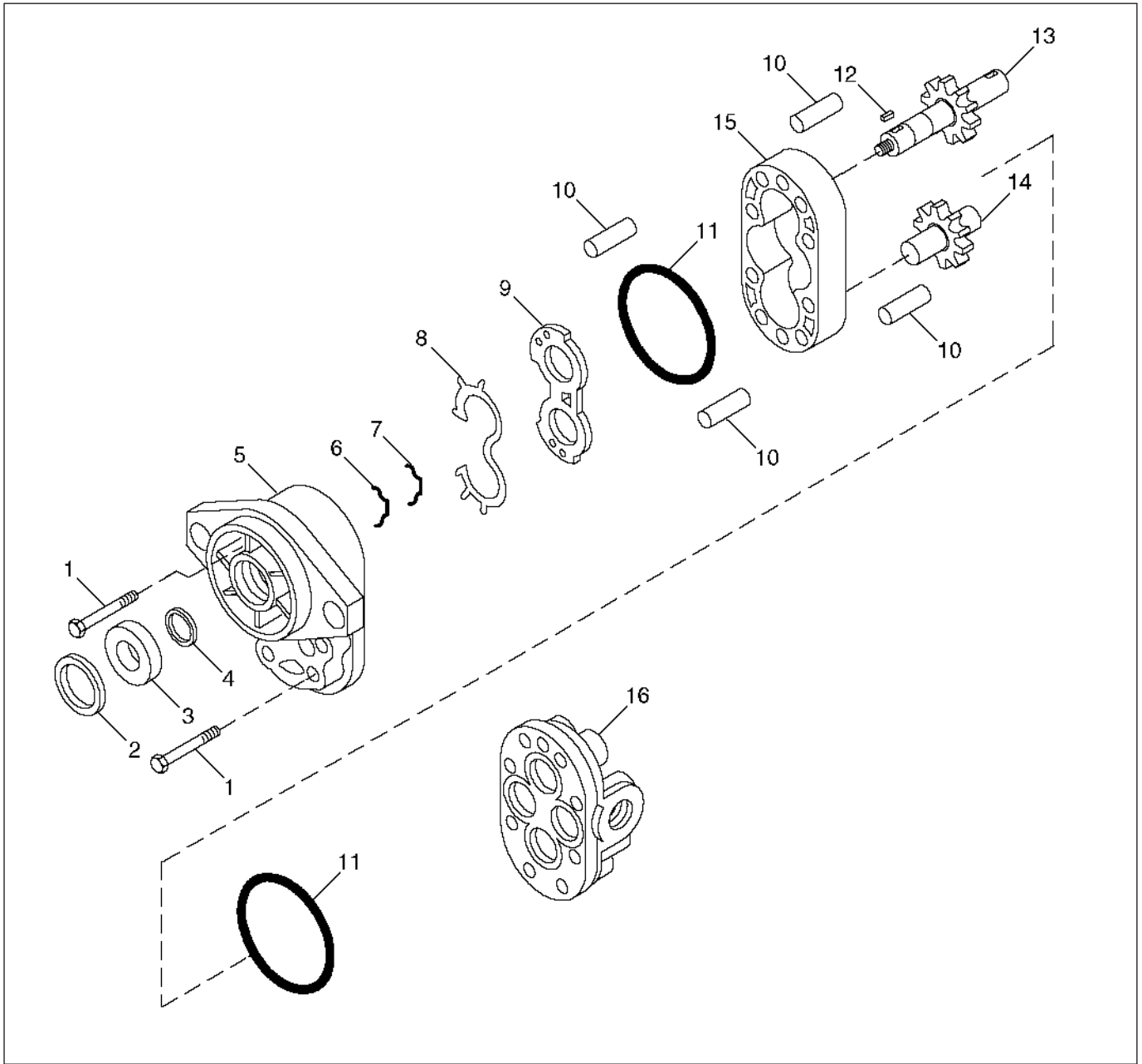
HYDRAULICS

MAIN HYDRAULIC PUMP - CONTINUED

KEY	PART NO.	PART NAME	QTY	SERIAL NO.	9 5 9 0 5 0 0 S 0 H	REMARKS
1	GG310-30411 H135569	SCREW CAP SCREW	8 8		X X	7.925 X 133.350 MM (5/16" X 5-1/4") (PLANETARY FINAL DRIVE)
2A	H131121	GASKET	1	-670000	X X	
2B	E65288	O-RING	1	670001-	X X	
3	PLATE	1		X X	
4	19H1732 12H304	CAP SCREW LOCK WASHER	2 2		X X X X	3/8" X 1-1/4" 3/8"
5	SEAL	2		X X	(A)
6	GASKET	2		X X	(A)
7	GASKET	2		X X	(A)
8	WEAR PLATE	2		X X	(A)
9	H116213	DOWEL PIN	8		X X	
10	H80821	O-RING	4		X X	(A) 75.921 X 1.778 MM (2.989" X 0.070")
11	PARALLEL SHAFT GEAR DRIVE	1		X X	
12	H125929 H135566	SHAFT KEY KEY	1 1		X X X X	(PLANETARY FINAL DRIVE)
13	GEAR	1		X X	
14	HOUSING	1		X X	
15	LINK BODY	1		X X	
16	GEAR	1		X X	
17	GEAR	1		X X	
18	PLATE	1		X X	
19	PLATE	1		X X	
20	R26448	O-RING	1		X X	(A) 11.887 X 1.981 MM (0.468" X 5/64")
21	AH125760	HYD. QUICK-CONNECT COUPLER	1		X X	
22	R77175	COVER	1		X X	
23	M48869	WASHER	2		X X	(A) 19.215 X 25.337 X 0.813 MM (0.757" X 0.998" X 0.032")
24	PLATE	1		X X	(A)
25	SEAL	1		X X	(A)
26	AH131183 AH140091	HYDRAULIC PUMP HYDRAULIC PUMP	1 1		X X	(CESSNA NO. R25381 - RAH)- REMANUFACTURED (CESSNA NO. R25383- RAT) REMANUFACTURED
27	SEAL	1		X X	(A)
..	AH162145	SEAL KIT	1		X X	(SUB FOR AH131181) INCLUDES PARTS MARKED (A)

6F5

REEL / BELT PICKUP DRIVE PUMP
HP8488 -UN-20APR99



HP8488

6F6

HYDRAULICS

REEL / BELT PICKUP DRIVE PUMP - CONTINUED

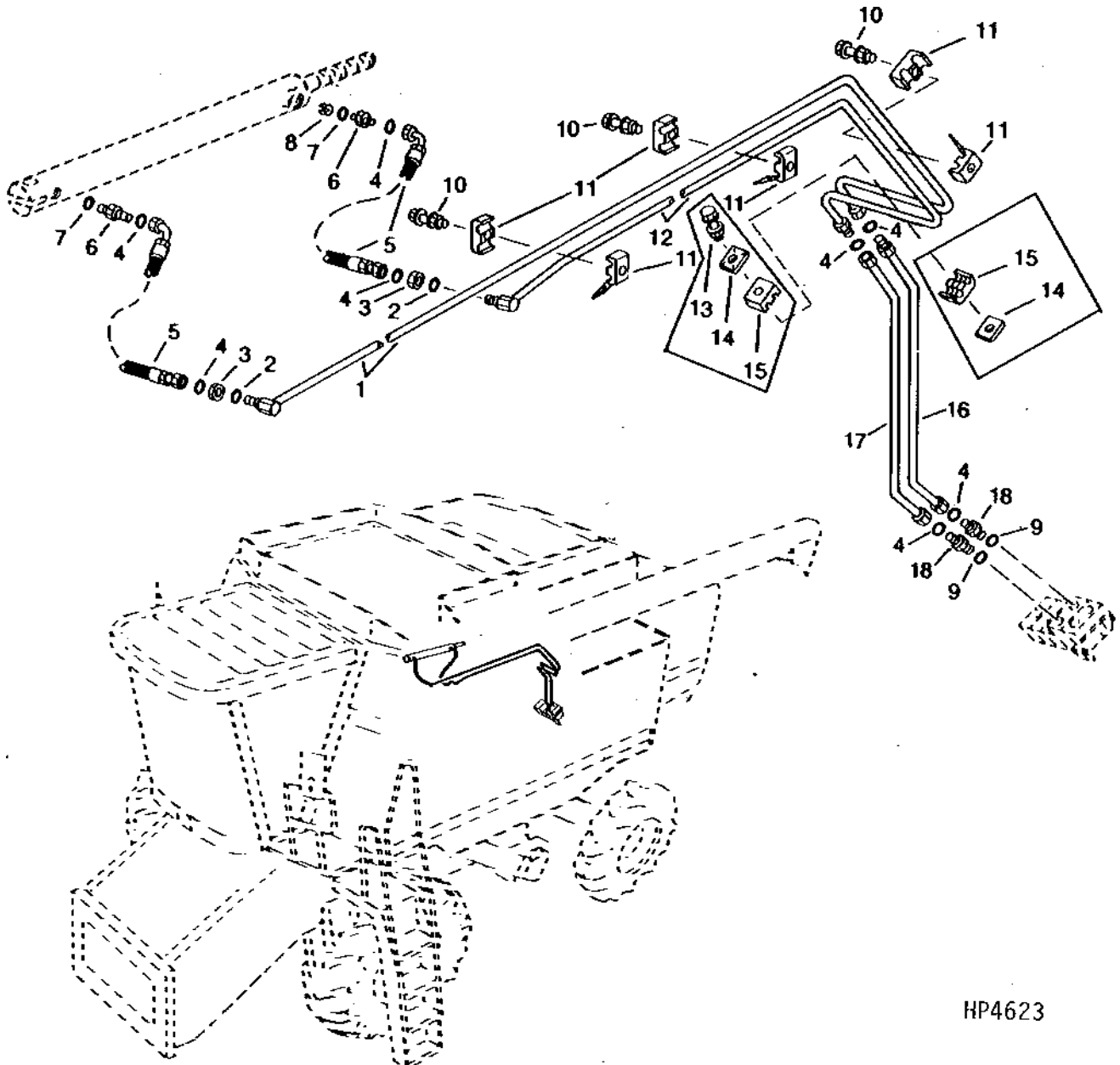
KEY	PART NO.	PART NAME	QTY	SERIAL NO.	S H 9 5 0 0	REMARKS
1	E61791	BOLT	8		X X	7.925 X 69.850 MM (5/16" X 2-3/4")
2	M41029	SNAP RING	1		X X	(A)
3	AH131842	SEAL	1		X X	(A)
4	M48869	WASHER	1		X X	(A) 19.215 X 25.337 X 0.813 MM (0.757" X 0.998" X 0.032")
5	PLATE	1		X X	
6	SEAL	1		X X	(A)
7	GASKET	1		X X	(A)
8	GASKET	1		X X	(A)
9	WEAR PLATE	1		X X	(A)
10	H116213	DOWEL PIN	4		X X	
11	H80821	O-RING	2		X X	(A) 75.921 X 1.778 MM (2.989" X 0.070")
12	N34986	SHAFT KEY	1		X X	
13	AH131304	SHAFT	1		X X	
14	GEAR	1		X X	
15	HOUSING	1		X X	
16	PLATE	1		X X	
17	AH131178	HYDRAULIC PUMP	1		X X	(CESSNA NO. R25305-RAK) - REMANUFACTURED
..	AH131176	SEAL KIT	1		X X	INCLUDES PARTS MARKED (A)

6F7

HYDRAULICS

UNLOADING AUGER SWING CYLINDER LINES AND HOSES

HP4623 -UN-01JAN94



HP4623

6F8

HYDRAULICS

UNLOADING AUGER SWING CYLINDER LINES AND HOSES - CONTINUED

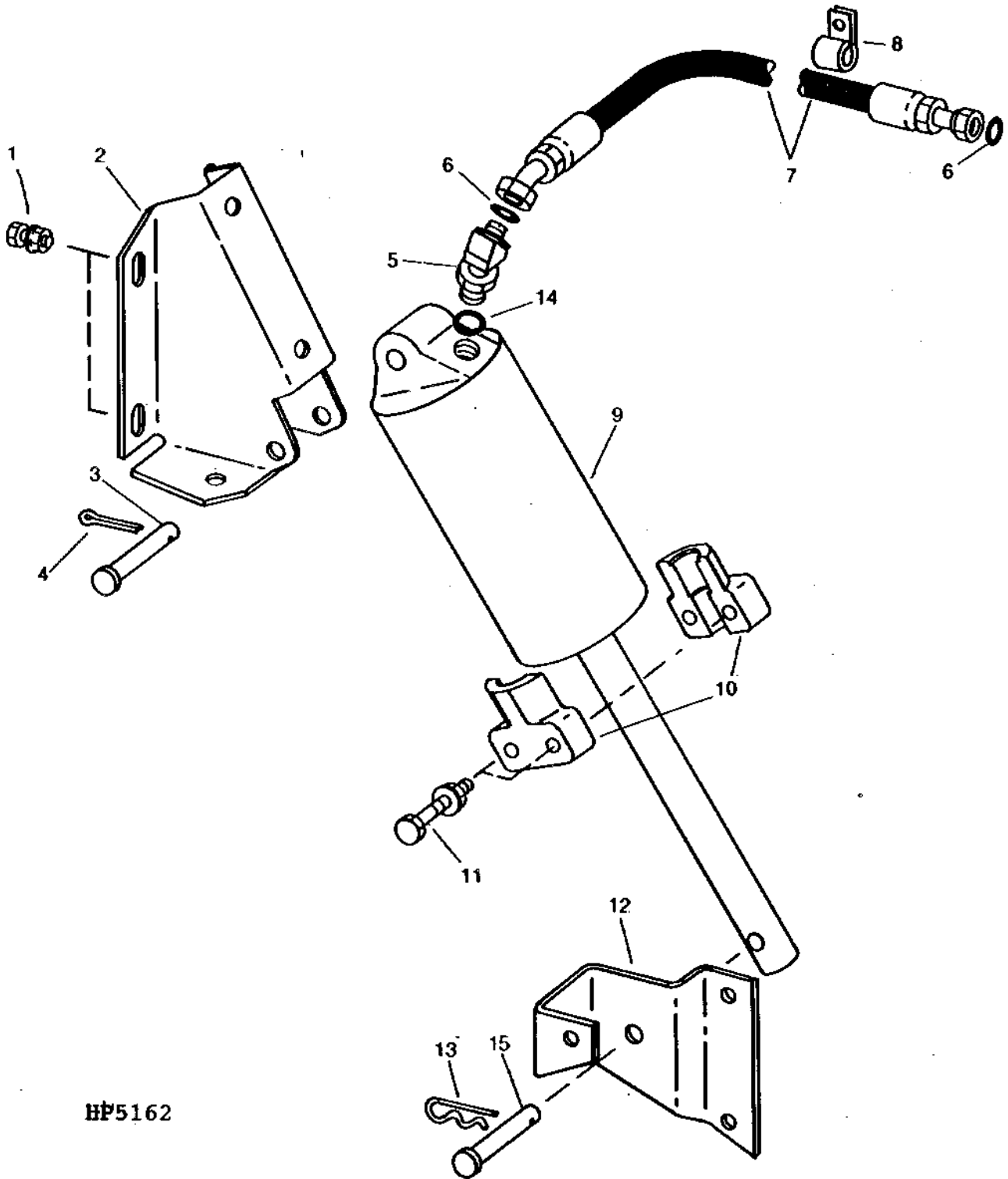
KEY	PART NO.	PART NAME	QTY	SERIAL NO.	S H 9 5 0 0	REMARKS
1	AH128641	HYDRAULIC LINE	1		X X	(EXTEND)
2	24M7114	WASHER	2		X X	19 X 30 X 4 MM
3	T81029	NUT	2		X X	17.475 MM (11/16")
4	T77613	O-RING	8		X X	9.246 X 1.778 MM (0.364" X 0.070")
5	AH130581	HYDRAULIC HOSE	2		X X	11/16" X 780 MM (30-3/4") X 11/16"
6	38H1160	ADAPTER	2		X X	
7	R26448	O-RING	2		X X	11.887 X 1.981 MM (0.468" X 5/64")
8	H133470	ORIFICE	1	-650200	X X	
9	R26375	O-RING	2		X X	16.358 X 2.210 MM (0.644" X 0.087")
10	19M7868	SCREW	3		X X	M8 X 30
	14M7298	FLANGE NUT	3		X X	M8
11	H108745	CLAMP	6	-640200	X	
	H108745	CLAMP	3	640201-	X X	
12	AH128642	HYDRAULIC LINE	1		X X	(RETRACT)
13	19M8291	SCREW	1	-640200	X	
	14M7298	FLANGE NUT	1	-640200	X	M8
14	H121163	COVER	2	-640200	X	
15	H128515	CLAMP	2	-640200	X	
16	AH128855	HYDRAULIC LINE	1		X X	(EXTEND)
17	AH128854	HYDRAULIC LINE	1		X X	(RETRACT)
18	38H1171	ADAPTER	2		X X	

6F9

HYDRAULICS

GRAIN TANK UNLOADING DRIVE CYLINDER WITH MOUNTING AND HOSE

HP5162 -UN-01JAN94



HP5162

6F10

HYDRAULICS

GRAIN TANK UNLOADING DRIVE CYLINDER WITH MOUNTING AND HOSE - CONTINUED

KEY	PART NO.	PART NAME	QTY	SERIAL NO.	S H 9 5 0 0	REMARKS
1	19M7866	SCREW	4		X X	M8 X 20
	14M7298	FLANGE NUT	4		X X	M8
2	H129588	BRACKET	1		X X	
3	H98765	PIN	2	-647107	X X	12.700 X 60.500 MM (1/2" X 2.382")
	H148340	PIN	1	647108-	X X	
4	11M7059	COTTER PIN	1		X X	3.200 X 20 MM
5	38H1045	ELBOW FITTING	1		X X	
6	T77613	O-RING	2		X X	9.246 X 1.778 MM (0.364" X 0.070")
7	AH120160	HYDRAULIC HOSE	1		X X	11/16" X 1 050 MM (41-1/4") X 11/16"
8	AH89486	CLIP	1	-661744	X X	(SUB AH96317)
	AH96317	CLIP	1		X X	
9	AH116006	HYDRAULIC CYLINDER	1		X X	
10	H133688	STOP	2		X X	
11	19M8319	SCREW	2		X X	M8 X 50
	14M7298	FLANGE NUT	2		X X	M8
12	H133690	BRACKET	1		X X	
13	J16931	SPRING LOCKING PIN	1		X X	
14	R26448	O-RING	1		X X	11.887 X 1.981 MM (0.468" X 5/64")
15	H148340	PIN	1	647108-	X X	

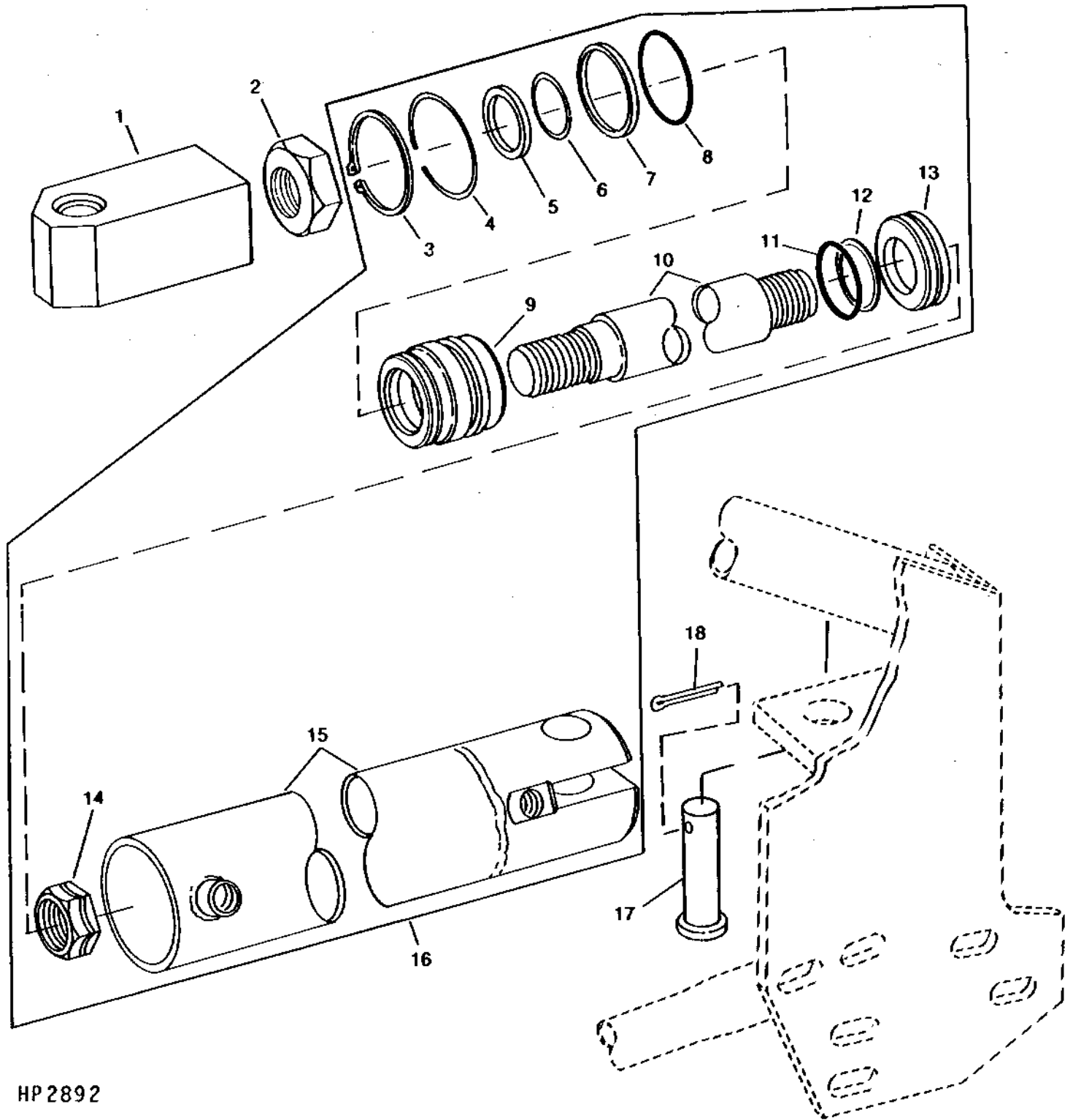
6F11

HYDRAULICS

UNLOADING AUGER SWING CYLINDER AND MOUNTING

(-650200)

HP2892 -UN-01JAN94



HP 2892

6F12

HYDRAULICS

UNLOADING AUGER SWING CYLINDER AND MOUNTING - CONTINUED
 (-650200)

KEY	PART NO.	PART NAME	QTY	SERIAL NO.	S H 9 5 0 0 0 0	REMARKS
1	H137225	END	1		X X	
2	W13288	NUT	1		X X	28.575 MM (1-1/8")
3	RING	1		X X	(A)
4	SNAP RING	1		X X	(A)
5	SEAL	1		X X	(A)
6	SEAL	1		X X	(A)
7	WASHER	1		X X	(A)
8	O-RING	1		X X	(A)
9	BEARING	1		X X	
10	H135154	ROD	1		X X	
11	O-RING	1		X X	(A)
12	RING	1		X X	(A)
13	PISTON	1		X X	
14	LOCK NUT	1		X X	
15	HYDRAULIC CYLINDER BARREL	1		X X	
16	AH132210	HYDRAULIC CYLINDER	1	-650200	X X	(SUB AH142164, H148375 AND H148376)
	AH142164	HYDRAULIC CYLINDER	1		X X	
17	R56930	PIN	1		X X	18.948 X 69.850 MM (0.746" X 2-3/4")
18	11H218	COTTER PIN	1	-640200	X	3/16" X 1-1/2", (SUB 11M7030)
	11M7030	COTTER PIN	1		X X	5 X 40 MM
..	AH129245	HYDRAULIC CYLINDER KIT	1		X X	INCLUDES PARTS MARKED (A)

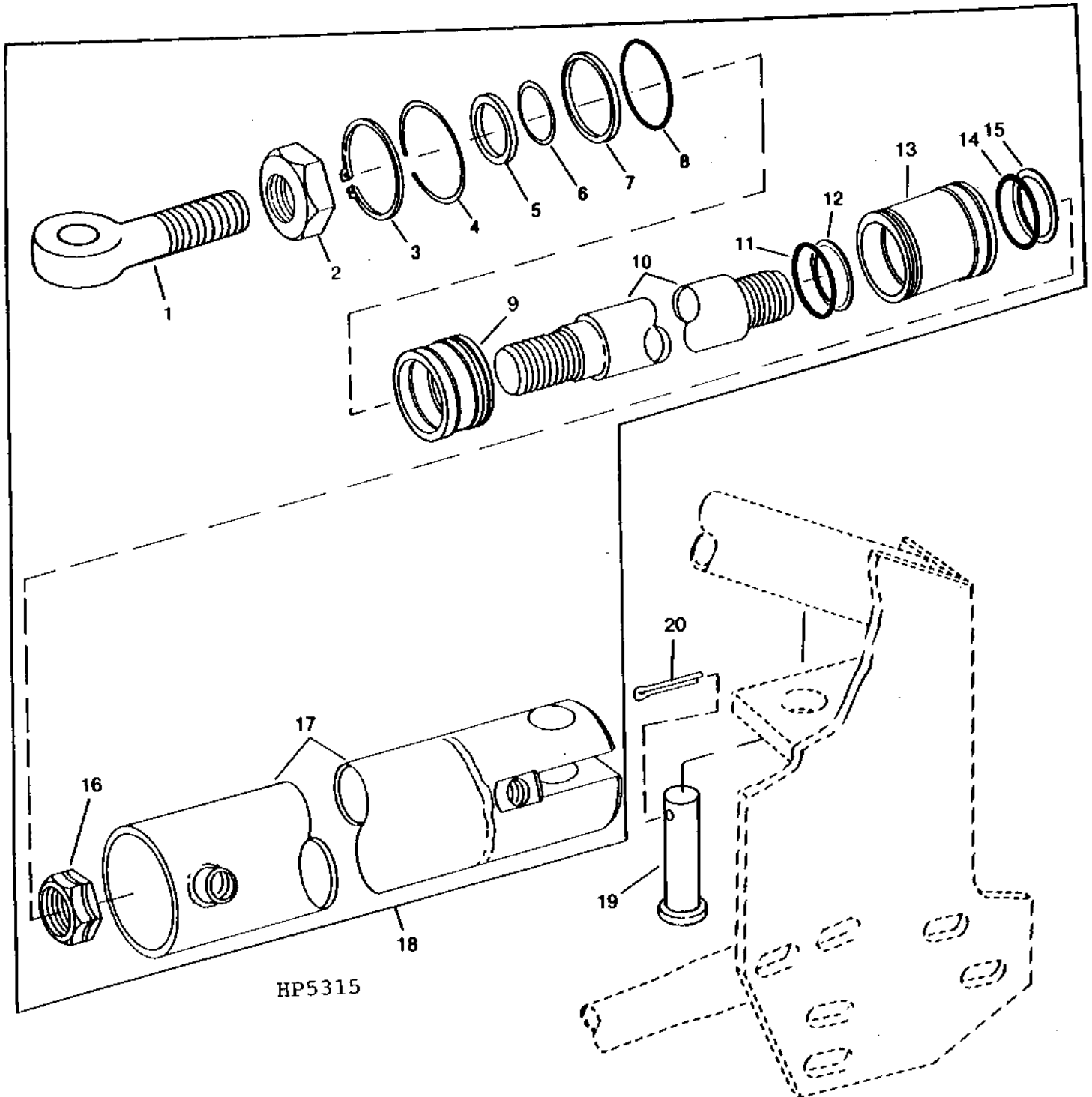
6F13

HYDRAULICS

UNLOADING AUGER SWING CYLINDER AND MOUNTING

(650201-656568)

HP5315 -UN-01JAN94



6F14

HYDRAULICS

UNLOADING AUGER SWING CYLINDER AND MOUNTING - CONTINUED
(650201-656568)

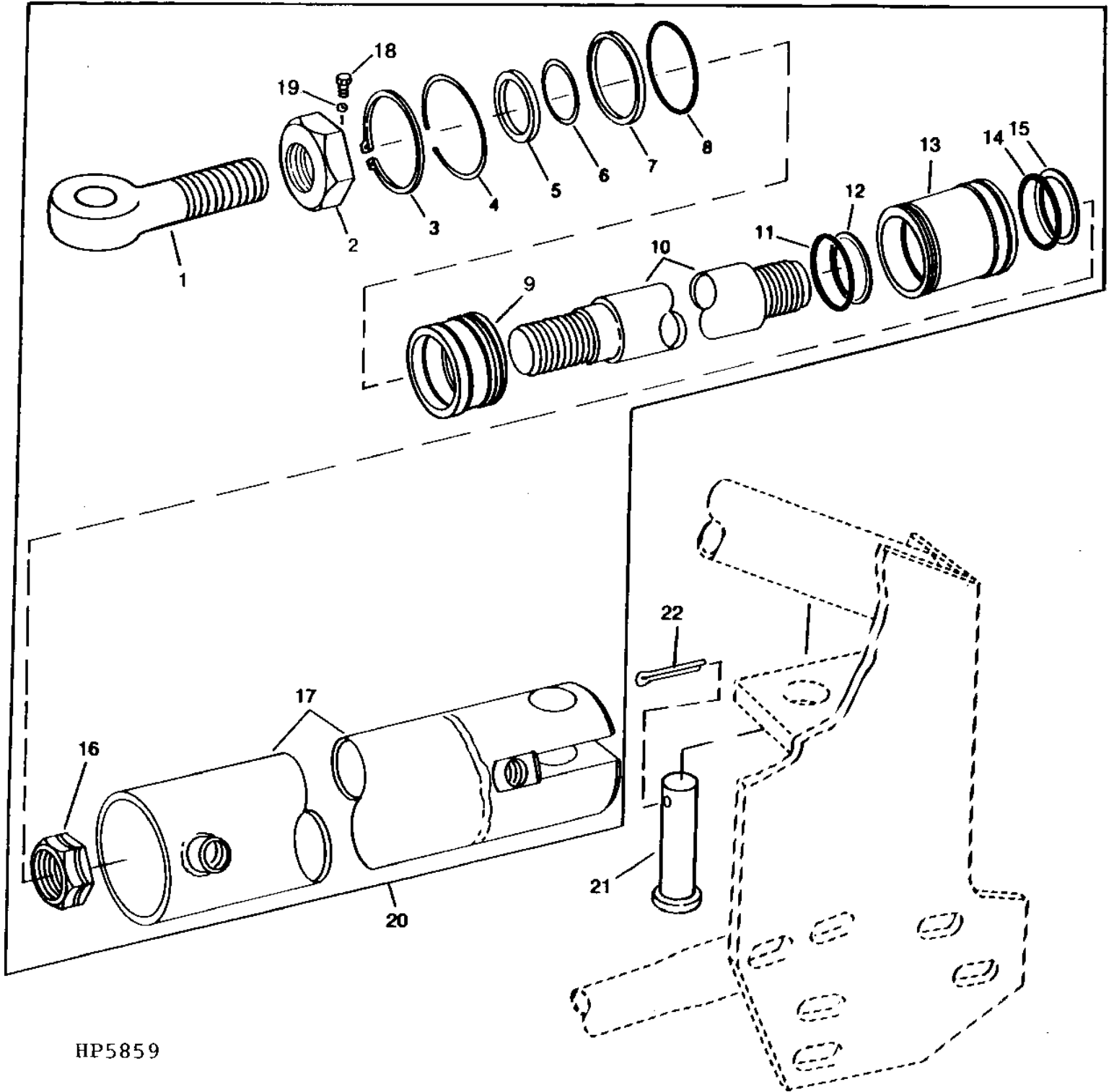
KEY	PART NO.	PART NAME	QTY	SERIAL NO.	S H 9 5 0 0 0 0	REMARKS
1	H148376	EYEBOLT	1		X X	
2	H148375	LOCK NUT	1		X X	19.050 MM (3/4")
3	RING	1		X X	(A)
4	SNAP RING	1		X X	(A)
5	SEAL	1		X X	(A)
6	SEAL	1		X X	(A)
7	WASHER	1		X X	(A)
8	O-RING	1		X X	(A)
9	BEARING	1		X X	
10	H148342	ROD	1		X X	
11	O-RING	1		X X	(A)
12	RING	1		X X	(A)
13	PISTON	1		X X	
14	WASHER	1		X X	
15	O-RING	1		X X	
16	LOCK NUT	1		X X	
17	HYDRAULIC CYLINDER BARREL	1		X X	
18	AH142164	HYDRAULIC CYLINDER	1		X X	(SUB AH145030)
19	R56930	PIN	1		X X	18.948 X 69.850 MM (0.746" X 2-3/4")
20	11M7030	COTTER PIN	1		X X	5 X 40 MM
..	AH146043	KIT	1		X X	(SUB FOR AH142108) INCLUDES PARTS MARKED (A)

6F15

HYDRAULICS

UNLOADING AUGER SWING CYLINDER AND MOUNTING

(656569-)
HP5859 -UN-14OCT94



HP5859

6F16

HYDRAULICS

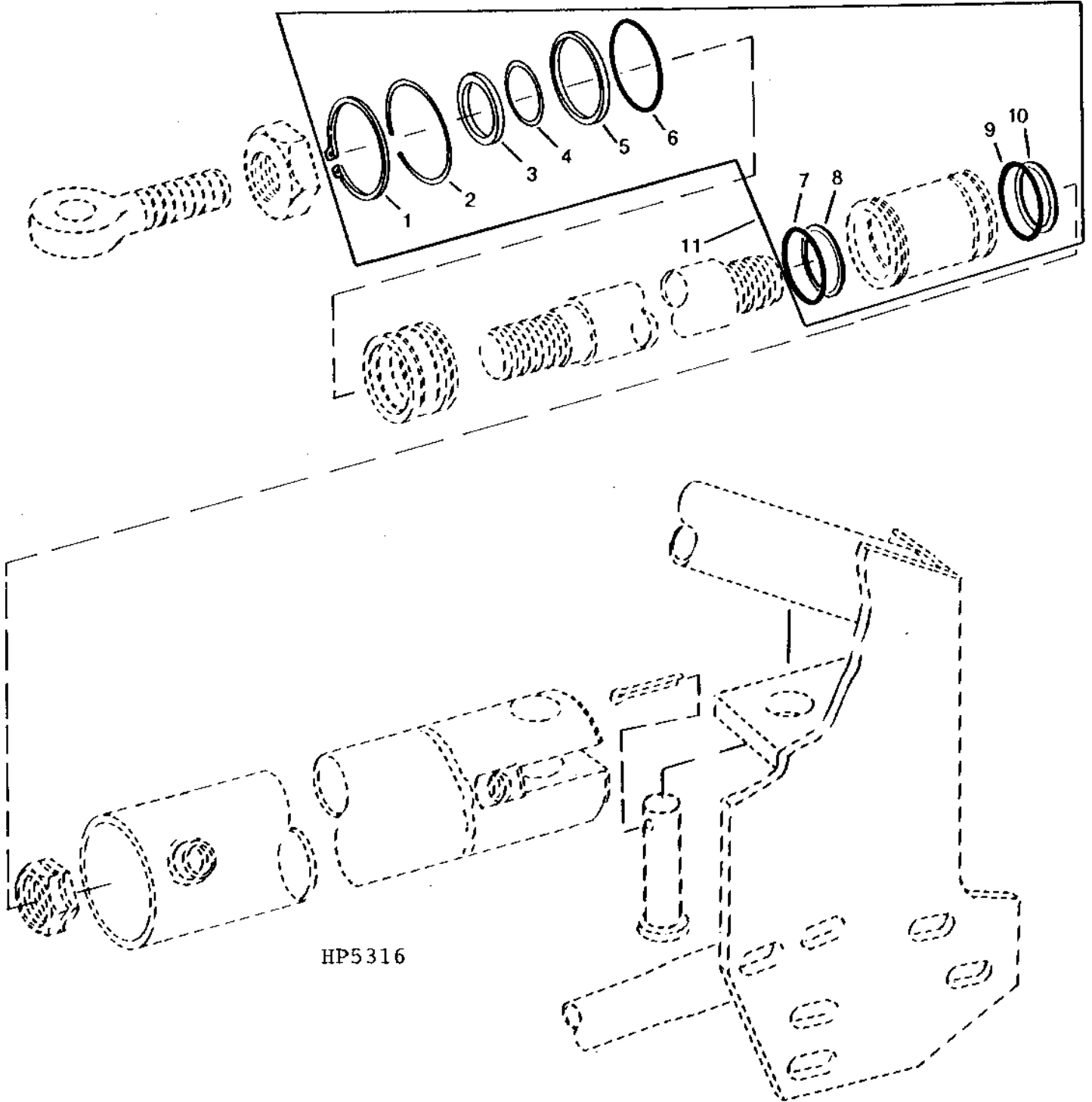
UNLOADING AUGER SWING CYLINDER AND MOUNTING - CONTINUED
(656568-)

KEY	PART NO.	PART NAME	QTY	SERIAL NO.	S H 9 5 0 0 0 0	REMARKS
1	H150926	EYEBOLT	1		X X	
2	14H904	NUT	1		X X	19.050 MM (3/4")
3	RING	1		X X	(A)
4	SNAP RING	1		X X	(A)
5	SEAL	1		X X	(A)
6	SEAL	1		X X	(A)
7	WASHER	1		X X	(A)
8	O-RING	1		X X	(A)
9	BEARING	1		X X	(KIT AH146043)
10	H150920	ROD	1		X X	
11	O-RING	1		X X	(A)
12	RING	1		X X	(A)
13	PISTON	1		X X	(KIT AH145030)
14	WASHER	1		X X	(KIT AH145030)
15	O-RING	1		X X	(KIT AH145030)
16	LOCK NUT	1		X X	(KIT AH145030)
17	HYDRAULIC CYLINDER BARREL	1		X X	(KIT AH145030)
18	22H897	SET SCREW	1		X X	6.350 X 6.350 MM (1/4" X 1/4")
19	L36230	BALL	1		X X	4.500 MM (0.177")
20	AH145030	HYDRAULIC CYLINDER	1		X X	
21	R56930	PIN	1		X X	
22	11H218	COTTER PIN	1		X X	
..	AH146043	KIT	1		X X	SEAL KIT (INCLUDES PARTS MARKED (A))

6F17

HYDRAULICS

UNLOADING AUGER SWING CYLINDER KIT
HP5316 -UN-01JAN94



HP5316

6F18

HYDRAULICS

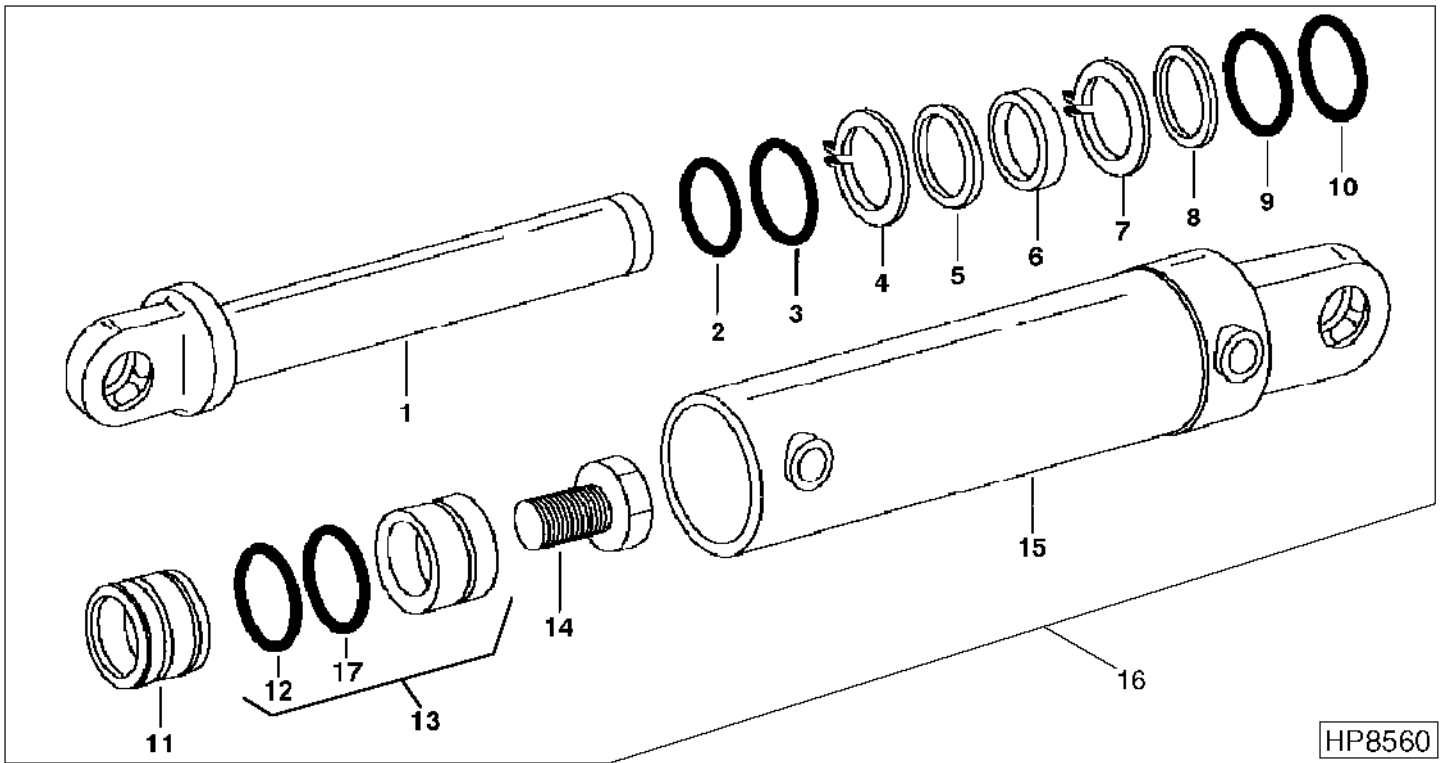
UNLOADING AUGER SWING CYLINDER KIT - CONTINUED

KEY	PART NO.	PART NAME	QTY	SERIAL NO.	S H 9 5 0 0	REMARKS
1	RING	1		X X	
2	SNAP RING	1		X X	
3	SEAL	1		X X	
4	SEAL	1		X X	
5	WASHER	1		X X	
6	O-RING	1		X X	
7	O-RING	1		X X	
8	RING	1		X X	
9	O-RING	1		X X	
10	RING	1		X X	
11	AH129245	HYDRAULIC CYLINDER KIT	1	-650200	X X	
	AH146043	KIT	1	650201-	X X	(SUB FOR AH142108)

6F19

HYDRAULICS

TILT CYLINDER - CONTOUR MASTER
HP8560 -UN-07MAY99



S
H
9 9
5 5
0 0
0 0

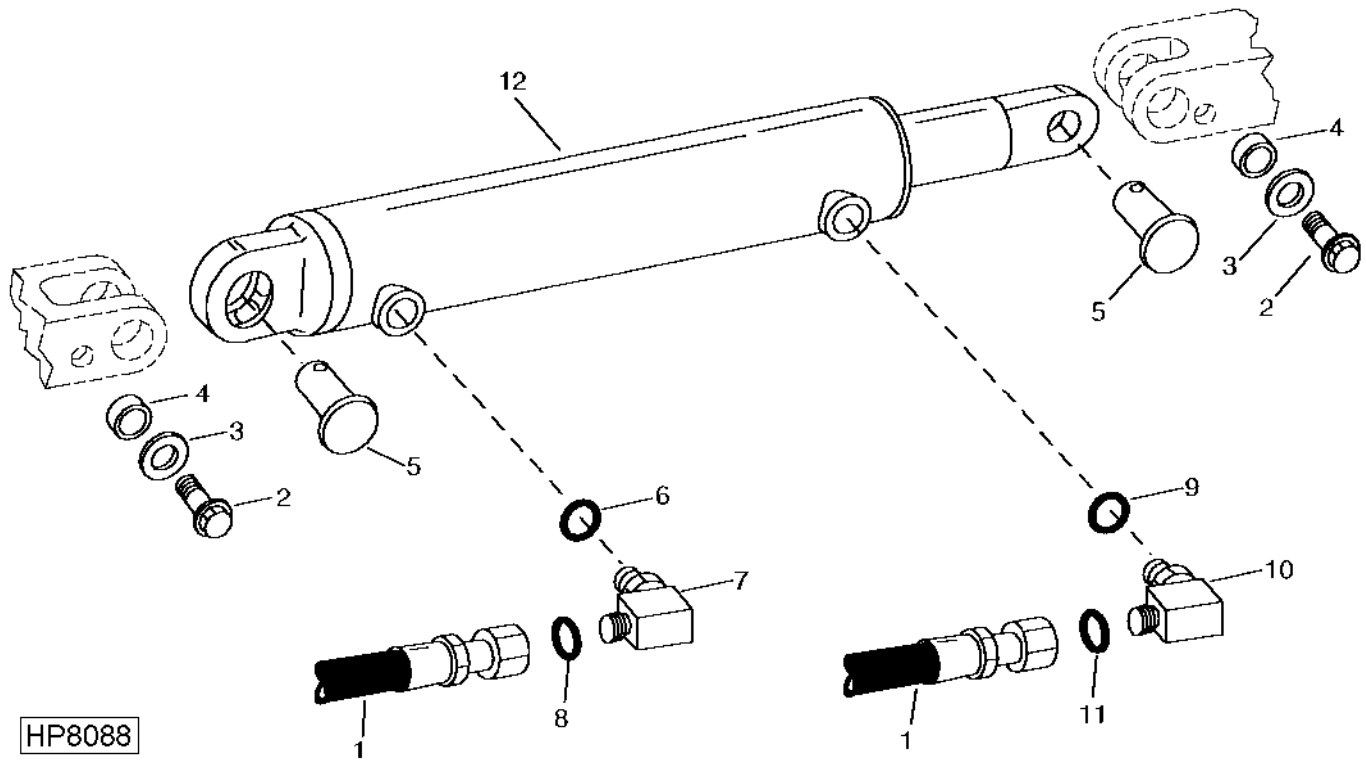
KEY	PART NO.	PART NAME	QTY	SERIAL NO.	REMARKS
1	AH144482	ROD	1	X X	
2	P45750	O-RING	1	X X	
	T22828	O-RING	1	X X	(A)
3	H150411	SEAL	1	X X	(A)
4	R90565	SNAP RING	1	X X	
5	H169509	BACK-UP RING	1	X X	(A)
6	H150412	SEAL	1	X X	(A)
7	R82571	SNAP RING	1	X X	
8	H151629	WEAR RING	1	X X	(A)
9	R79117	WASHER	1	X X	(A)
10	H158942	O-RING	1	X X	(A)
11	H151694	HYDR. CYLINDER ROD GUIDE	1	X X	
12	H144342	PISTON RING	1	X X	(A)
13	AH138200	PISTON	1	X X	
14	19H2672	CAP SCREW	1	X X	15.875 X 50.800 MM
15	AH144480	HYDRAULIC CYLINDER BARREL	1	X X	
16	AH143322	HYDRAULIC CYLINDER	1	X X	
17	U15973	O-RING	1	X X	(A)
..	AH167553	HYDRAULIC CYLINDER KIT	1	X X	INCLUDES PARTS MARKED (A)

6F20

HYDRAULICS

TILT CYLINDER HOSES AND FITTINGS - CONTOUR MASTER

HP8088 -UN-15DEC98



S
H
9 9
5 5
0 0
0 0

KEY	PART NO.	PART NAME	QTY	SERIAL NO.	REMARKS
1	AH143682	HYDRAULIC HOSE	2	X X	
2	19M7866	SCREW	2	X X	M8 X 20
3	24H1291	WASHER	2	X X	8.331 X 37.313 X 2.769 MM
4	28H1511	WASHER	2	X X	9.246 X 13.716 X 6.350 MM
5	R56930	PIN	2	X X	18.948 X 69.850 MM
6	R28782	O-RING	1	X X	8.915 X 1.829 MM
7	38H1003	ELBOW FITTING	1	X X	
8	T77814	O-RING	1	X X	7.645 X 1.778 MM
9	R26448	O-RING	1	X X	11.887 X 1.981 MM
10	38H1004	ELBOW FITTING	1	X X	
11	T77613	O-RING	1	X X	9.246 X 1.778 MM
12	AH143322	HYDRAULIC CYLINDER	1	X X	

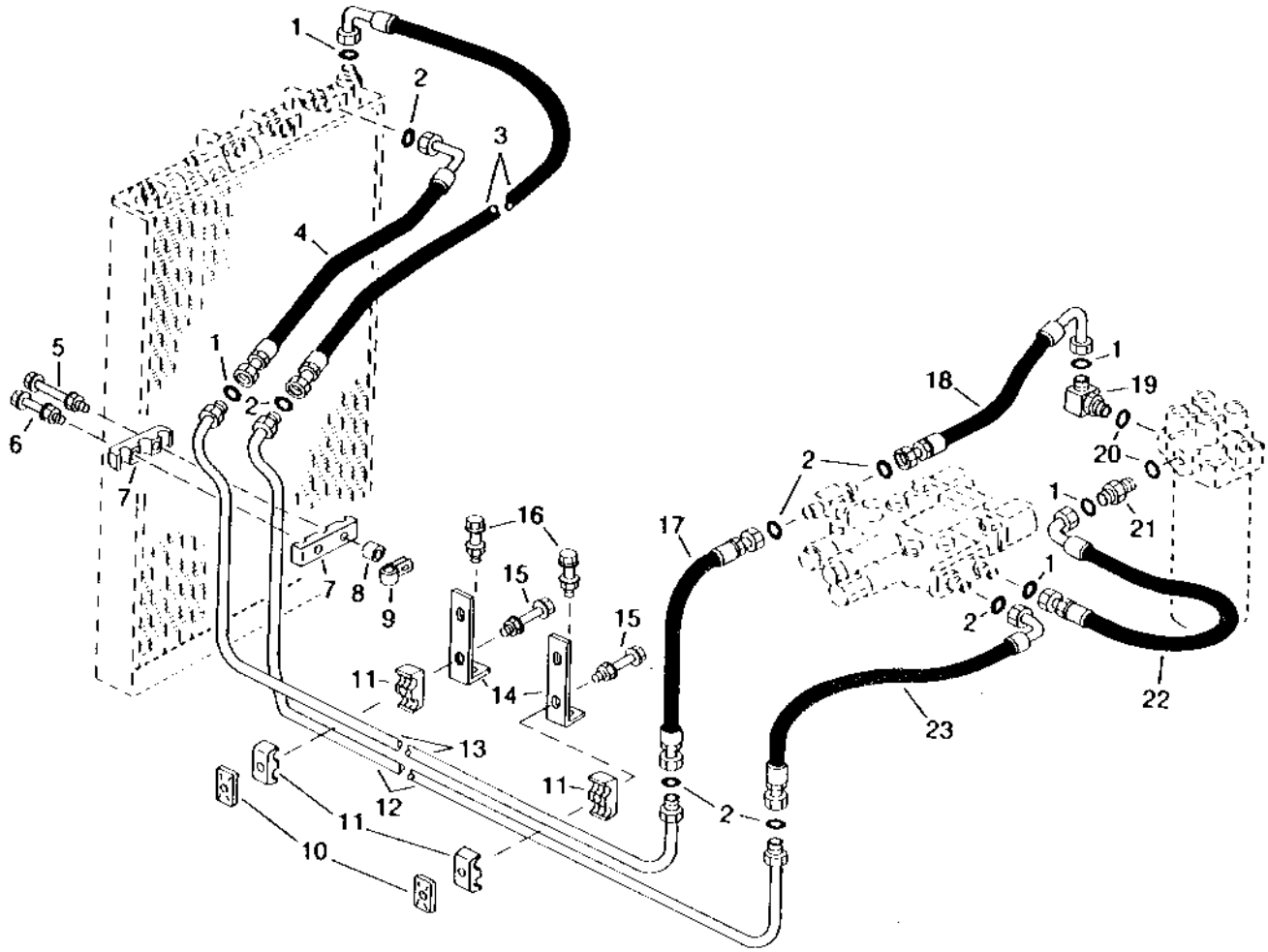
6F21

HYDRAULICS

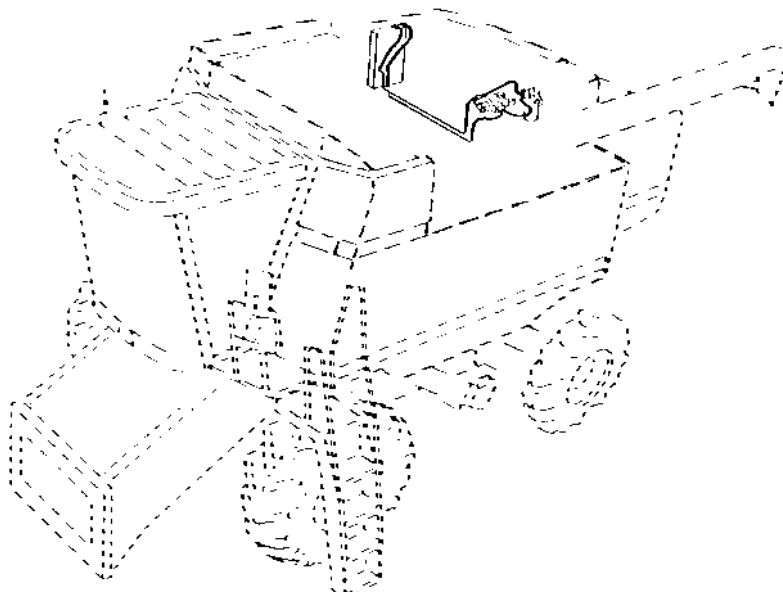
WET CLUTCH OIL COOLER LINES AND HOSES

(-640200)

HP3214 -UN-01JAN94



HP 3214



6F22

HYDRAULICS

WET CLUTCH OIL COOLER LINES AND HOSES - CONTINUED

(-640200)

KEY	PART NO.	PART NAME	QTY	SERIAL NO.	S H 9 5 0 0 0 0	REMARKS
1	T77857	O-RING	5		X	12.421 X 1.778 MM (0.489" X 0.070")
2	T77932	O-RING	7		X	15.596 X 1.778 MM (0.614" X 0.070")
3	AH128773	HYDRAULIC HOSE	1		X	830 MM (32 11/16 IN.)
4	AH128774	HYDRAULIC HOSE	1		X	650 MM (25 5/8 IN.)
5	19M8039	SCREW	1		X	M8 X 80
	14M7298	FLANGE NUT	1		X	M8
6	19M7801	SCREW	1		X	M8 X 60
	14M7298	FLANGE NUT	1		X	M8
7	H130452	CLAMP	2		X	
8	28H1720	BUSHING	1		X	10.744 X 17.145 X 21.438 MM (0.423" X 0.675" X 27/32")
9	R72659	CLAMP	1		X	
10	H121168	PLATE	2		X	
11	H120847	CLAMP	4		X	
12	AH131180	HYDRAULIC LINE	1	-640200	X	
	AH138866	OIL LINE	1	640201-	X	
13	AH129415	HYDRAULIC LINE	1	-640200	X	
	AH138865	OIL LINE	1	640201-	X	
14	H130451	BRACKET	2		X	
15	19M8319	SCREW	2		X	M8 X 50
	14M7298	FLANGE NUT	2		X	M8
16	19M7866	SCREW	2		X	M8 X 20
	14M7298	FLANGE NUT	2		X	M8
17	AH128778	HYDRAULIC HOSE	1		X	1" X 475 MM (18-3/4") X 1"
18	AH128779	HYDRAULIC HOSE	1		X	1" X 275 MM (10-3/4") X 13/16"
19	38H1013	ELBOW FITTING	1		X	
20	U12547	O-RING	2		X	23.470 X 2.946 MM (0.924" X 0.116")
21	38H1175	ADAPTER	1		X	
22	AH128780	HYDRAULIC HOSE	1		X	13/16" X 725 MM (28-1/2") X 13/16"
23	AH128777	HYDRAULIC HOSE	1		X	1" X 500 MM (19-3/4") X 1"
..	AH150219	OIL COOLER	1		X	(SUB FOR AH120836 OR AH136172) OIL COOLER AND CONDENSER TOGETHER, USED WITH 190 HP ENGINE

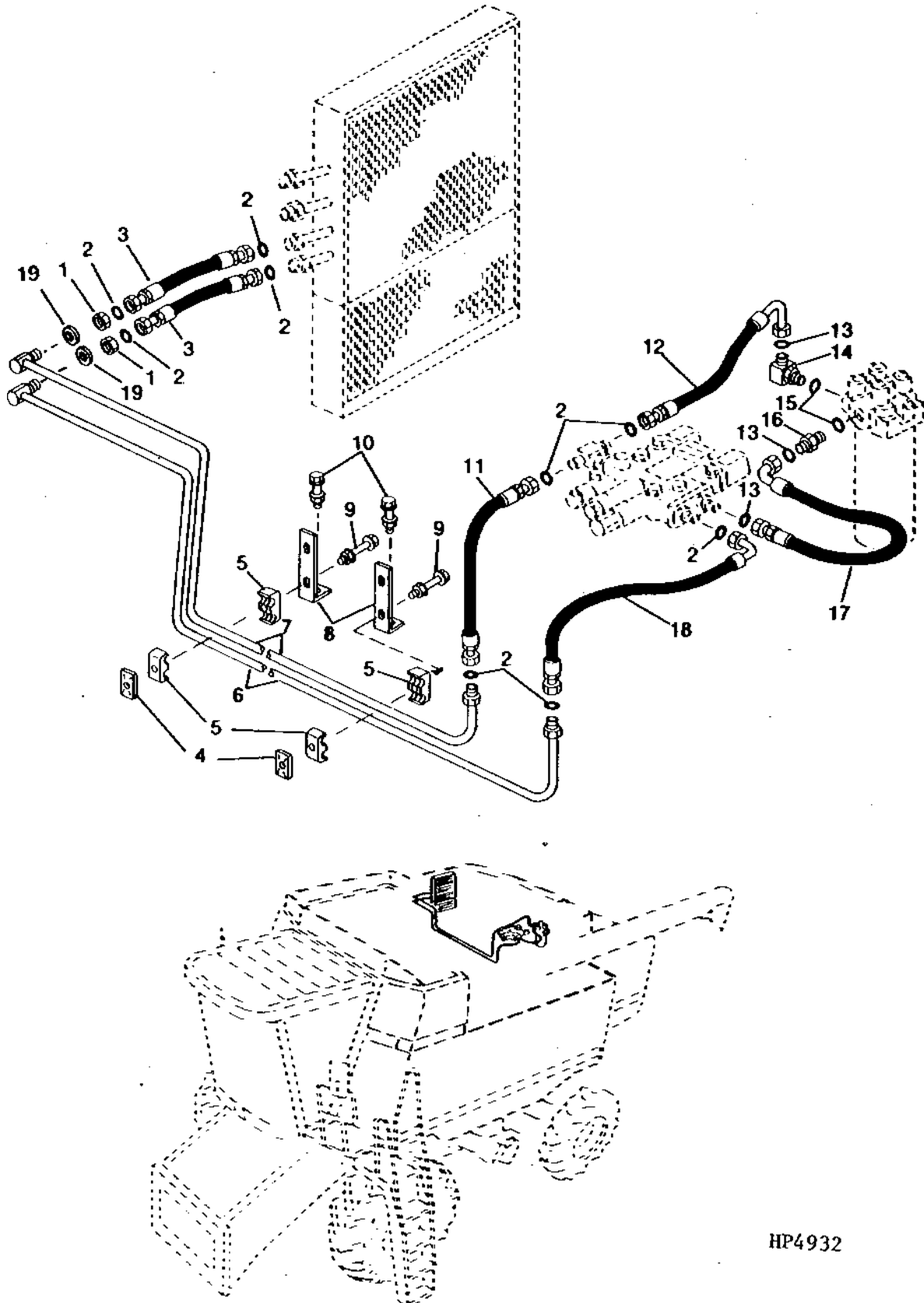
6F23

HYDRAULICS

WET CLUTCH OIL COOLER LINES AND HOSES

(640201-665201)

HP4932 -UN-01JAN94



HP4932

6F24

HYDRAULICS

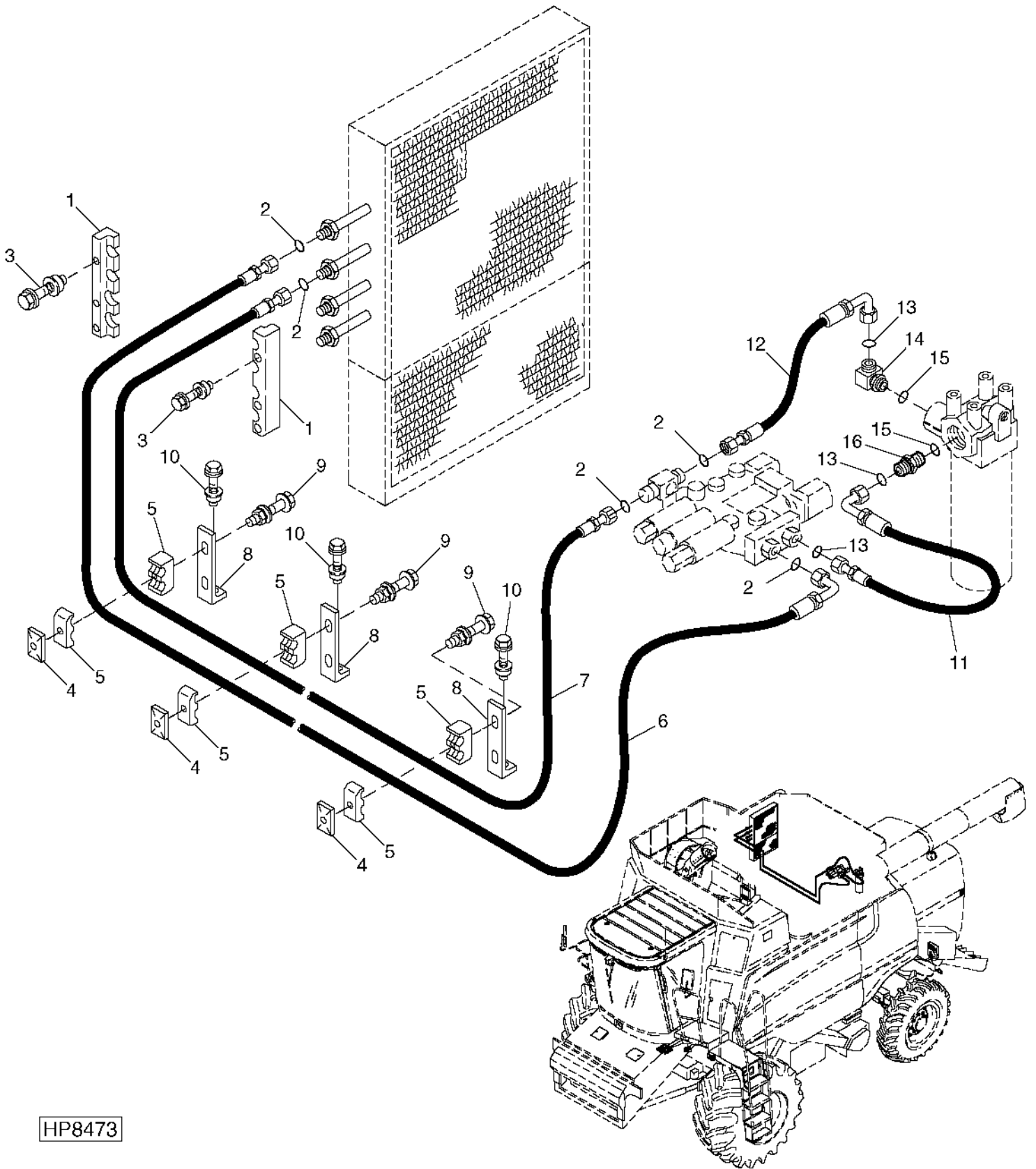
WET CLUTCH OIL COOLER LINES AND HOSES - CONTINUED
(640201-665200)

KEY	PART NO.	PART NAME	QTY	SERIAL NO.	S H 9 5 0 0 0 0	REMARKS
1	T80306	NUT	2	X X		25.400 MM (1")
2	T77932	O-RING	9	X X		15.596 X 1.778 MM (0.614" X 0.070")
3	AH128992	HYDRAULIC HOSE	2	X X		1" X 265 MM (10-1/2") X 1"
4	H121168	PLATE	2	X X		
5	H120847	CLAMP	4	X X		
6	AH138866	OIL LINE	1	X X		
7	AH138865	OIL LINE	1	X X		
8	H130451	BRACKET	2	X X		
9	19M8319	SCREW	2	X X		M8 X 50
	14M7298	FLANGE NUT	2	X X		M8
10	19M7866	SCREW	2	X X		M8 X 20
	14M7298	FLANGE NUT	2	X X		M8
11	AH128778	HYDRAULIC HOSE	1	X X		1" X 475 MM (18-3/4") X 1"
12	AH128779	HYDRAULIC HOSE	1	X X		1" X 275 MM (10-3/4") X 13/16"
13	T77857	O-RING	3	X X		12.421 X 1.778 MM (0.489" X 0.070")
14	38H1013	ELBOW FITTING	1	X X		
15	U12547	O-RING	2	X X		23.470 X 2.946 MM (0.924" X 0.116")
16	38H1175	ADAPTER	1	X X		
17	AH128780	HYDRAULIC HOSE	1	X X		13/16" X 725 MM (28-1/2") X 13/16"
18	AH128777	HYDRAULIC HOSE	1	X X		1" X 500 MM (19-3/4") X 1"
19	24H1534	WASHER	2	X X		38.887 X 52.375 X 1.524 MM (1-17/32" X 2-1/16" X 0.060")

6G1

WET CLUTCH OIL COOLER LINES AND HOSES

(665201-)
HP8473 -UN-21APR99



HP8473

6G2

HYDRAULICS

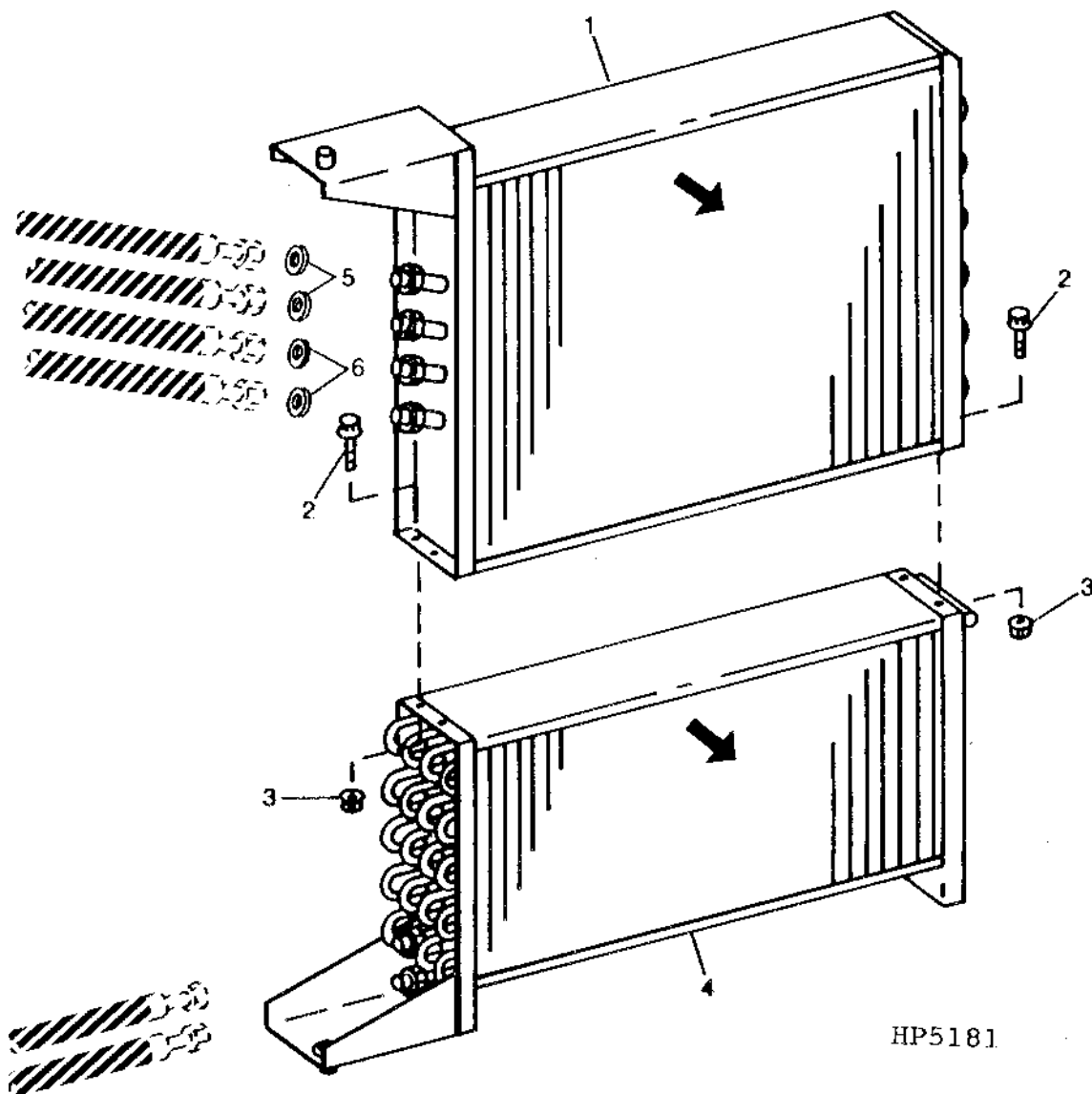
WET CLUTCH OIL COOLER LINES AND HOSES- CONTINUED
(665201-)

KEY	PART NO.	PART NAME	QTY	SERIAL NO.	S H 9 5 0 0 0 0	REMARKS
1	H151585	CLAMP	2		X X	
2	T77932	O-RING	5		X X	15.596 X 1.778 MM (0.614" X 0.070")
3	19M8317	SCREW	6		X X	M8 X 40 265 MM LONG
	14M7298	FLANGE NUT	3		X X	M8
4	H112567	PLATE	3		X X	
5	H150983	CLAMP	6		X X	
6	AH145239	HYDRAULIC HOSE	1		X X	
7	AH145241	HYDRAULIC HOSE	1		X X	
8	H150980	BRACKET	3		X X	
9	19M7979	SCREW	3		X X	M8 X 55
	14M7298	FLANGE NUT	3		X X	M8
10	19M7866	SCREW	3		X X	M8 X 20
	14M7298	FLANGE NUT	3		X X	M8
11	AH128780	HYDRAULIC HOSE	1		X X	13/16" X 725 MM (28-1/2") X 13/16" 475 MM LONG
12	AH128779	HYDRAULIC HOSE	1		X X	1" X 275 MM (10-3/4") X 13/16" 275 MM LONG
13	T77857	O-RING	3		X X	12.421 X 1.778 MM (0.489" X 0.070")
14	38H1013	ELBOW FITTING	1		X X	
15	U12547	O-RING	2		X X	23.470 X 2.946 MM (0.924" X 0.116")
16	38H1175	ADAPTER	1		X X	

6G3

HYDRAULICS

OIL COOLER AND A/C CONDENSER
HP5181 -UN-01JAN94



HP5181

6G4

HYDRAULICS

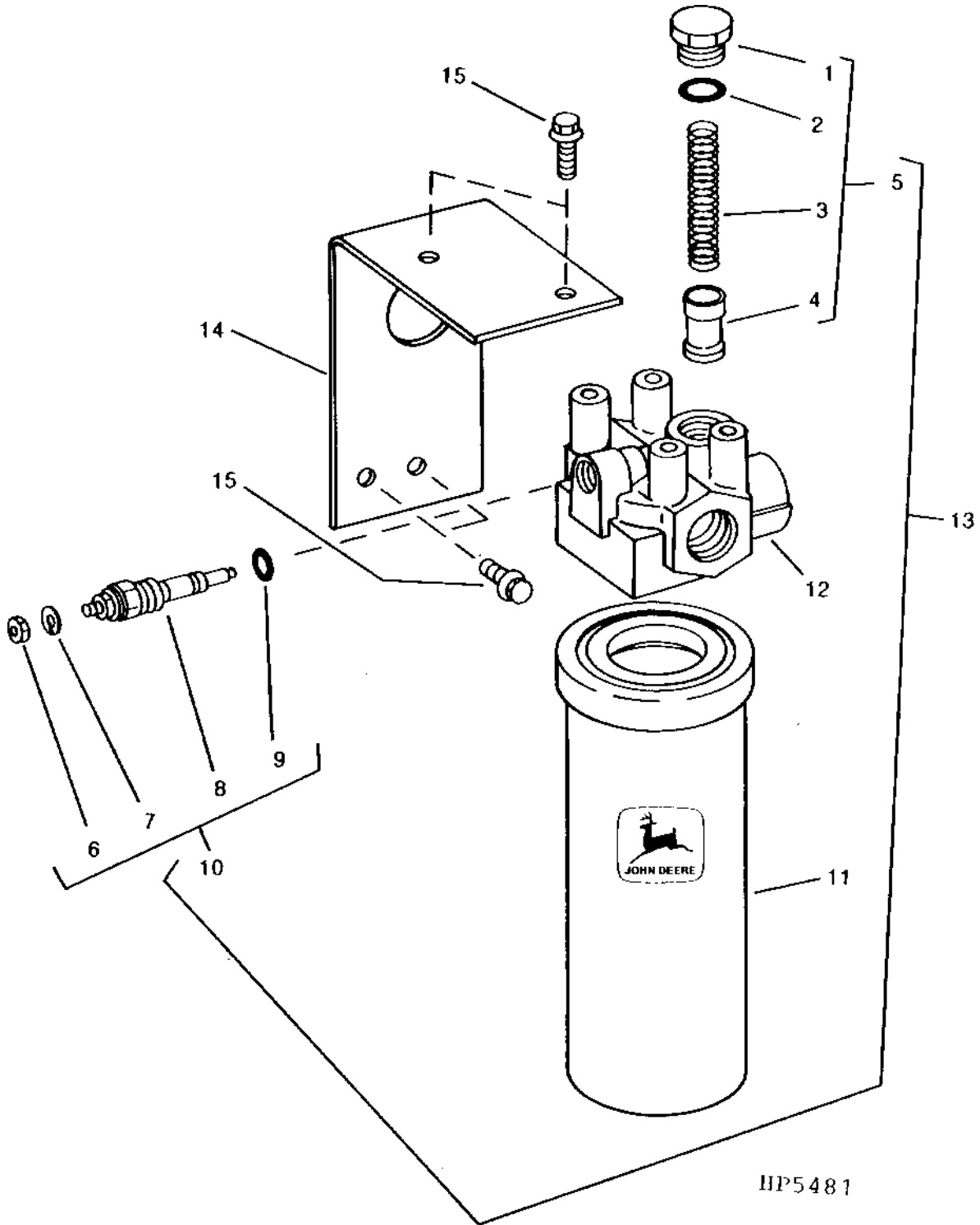
OIL COOLER AND A/C CONDENSER - CONTINUED

KEY	PART NO.	PART NAME	QTY	SERIAL NO.	S H 9 5 0 0	REMARKS
1	AH140472	OIL COOLER	1	642859-665200	X X	(SUB FOR AH120854)
	AH149588	OIL COOLER	1	665201-	X X	(SUB FOR AH145232)
	AH150219	OIL COOLER	1		X	(SUB FOR AH120836 OR AH136172) OIL COOLER AND CONDENSER TOGETHER, USED WITH 190 HP ENINE
2	19M7774	SCREW	4		X X	M6 X 12
	19M7774	SCREW	3		X X	M6 X 12, (LEAVE FRONT L.H. HOLE EMPTY)
3	14M7303	FLANGE NUT	4		X X	M6
4	AH149618	VAPOR CONDENSER	1		X X	(SUB FOR AH140471) OIL COOLER AND CONDENSER TOGETHER, USED WITH 190 HP ENGINE
	AH150219	OIL COOLER	1	670000-	X	(SUB FOR AH120836 OR AH136172) OIL COOLER AND CONDENSER TOGETHER, USED WITH 190 HP ENGINE
5	24H1534	WASHER	2	643458-	X X	1-17/32" X 2-1/16" X 0.060"
6	24H1462	WASHER	2	643458-	X X	1-1/16" X 1-1/2" X 0.060"

6G5

HYDRAULICS

ENGINE GEARCASE OIL FILTER ASSEMBLY
HP5481 -UN-01JAN94



HP5481

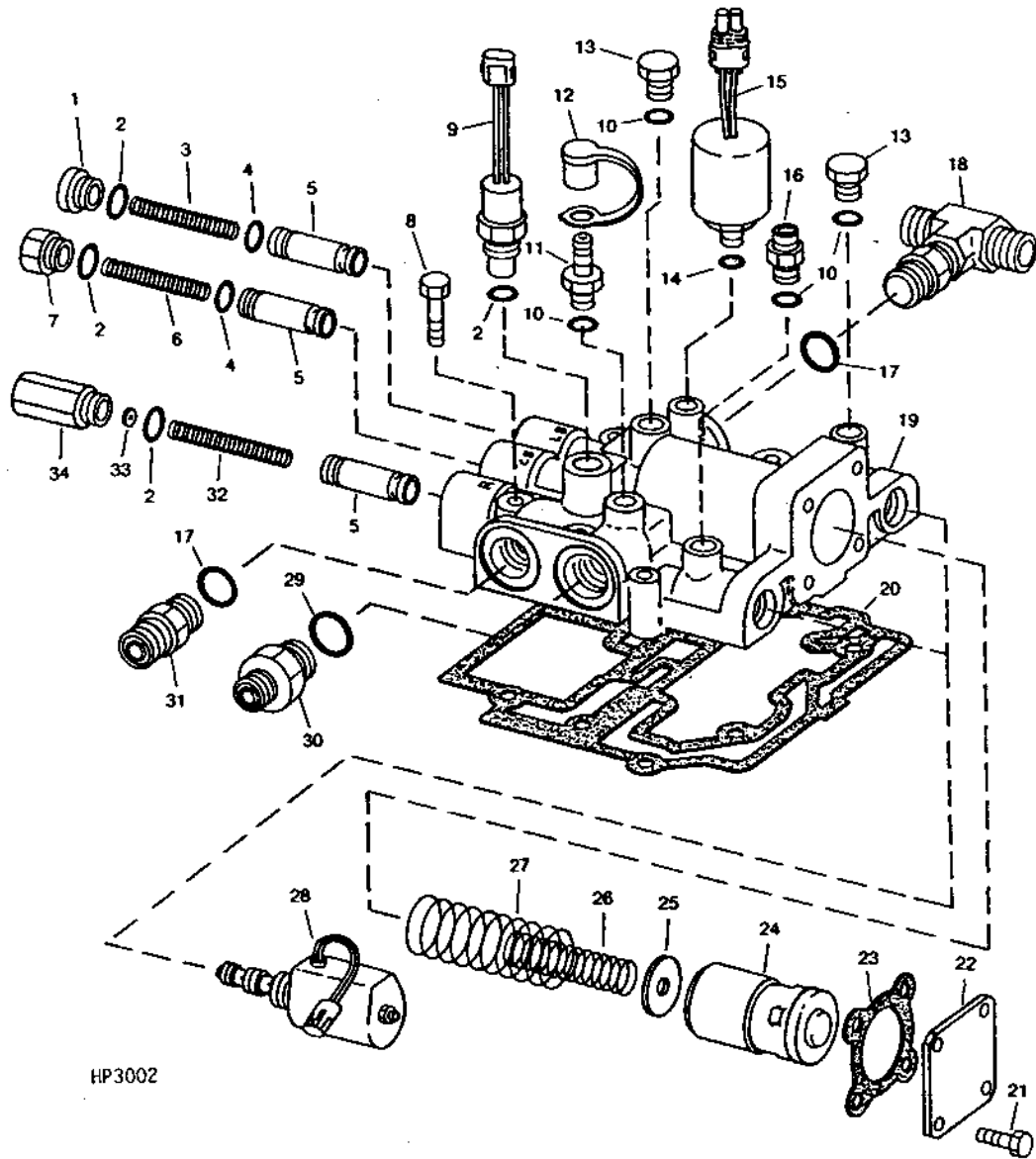
6G6

HYDRAULICS

ENGINE GEARCASE OIL FILTER ASSEMBLY - CONTINUED

KEY	PART NO.	PART NAME	QTY	SERIAL NO.	S H 9 5 0 0	REMARKS
1	PLUG	1		X X	
2	R26906	O-RING	1		X X	19.177 X 2.464 MM (0.755" X 0.097")
3	SPRING	1		X X	
4	PISTON	1		X X	
5	AH128451	VALVE	1		X X	
6	14H631	NUT	1		X X	0.190"
7	12H295	LOCK WASHER	1		X X	0.190"
8	SENDER	1		X X	
9	R26448	O-RING	1		X X	11.887 X 1.981 MM (0.468" X 5/64")
10	AH128450	TOUCH SWITCH	1		X X	
11	AH128449	HYDRAULIC FILTER	1		X X	
12	AH139434	HYDRAULIC FILTER	1		X X	
13	AH128448	HYDRAULIC FILTER	1	-651409	X X	WET CLUTCH, (SUB AH139434 AND AH128449)
14	H133675	BRACKET	1		X X	
15	19M7784	SCREW	4		X X	M10 X 20

ENGINE GEARCASE PRESSURE REGULATOR HP3002 -UN-10OCT88



HP3002

6G8

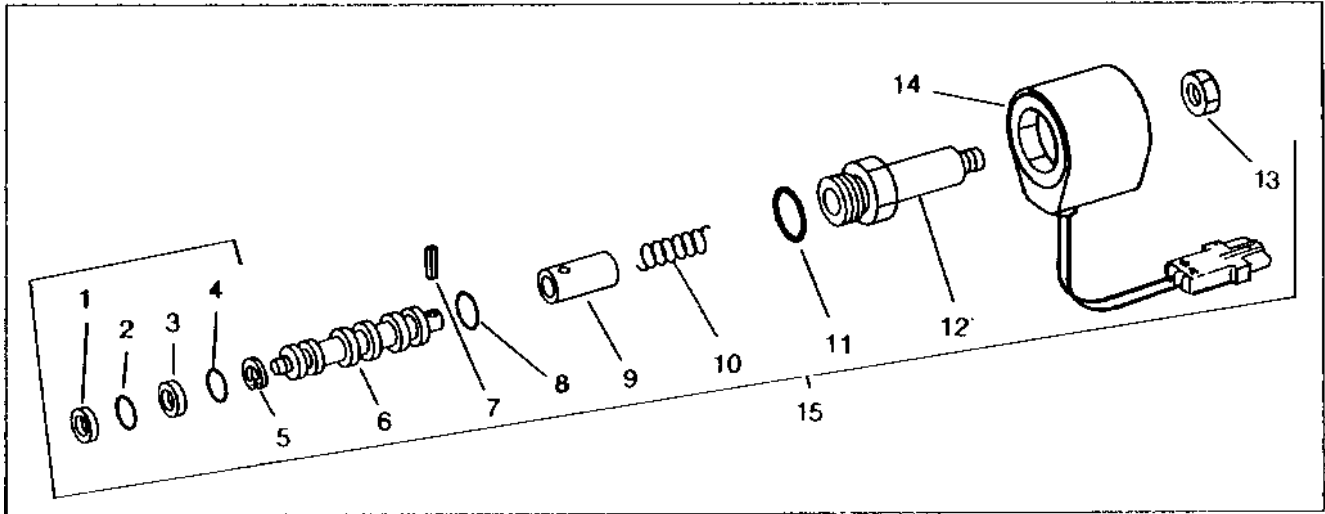
HYDRAULICS

ENGINE GEARCASE PRESSURE REGULATOR - CONTINUED

KEY	PART NO.	PART NAME	QTY	SERIAL NO.	S H 9 9 5 5 0 0 0 0	REMARKS
1	R33138	FITTING	1		X X	
2	R26375	O-RING	4		X X	16.358 X 2.210 MM (0.644" X 0.087")
3	H89241	SPRING	1		X X	
4	R28776	O-RING	2		X X	12.421 X 1.778 MM (0.489" X 0.070")
5	R63980	VALVE	3		X X	
6	R56782	SPRING	1		X X	
7	H126026	FITTING	1		X X	
8	19M7979	SCREW	7		X X	M8 X 55
9	AH116105	SWITCH	1		X X	GEARCASE TEMPERATURE SWITCH
	R78059	ELECTRICAL PLUG	1		X X	(PKG OF 40)
10	R26448	O-RING	4		X X	11.887 X 1.981 MM (0.468" X 5/64")
11	AH125760	HYD. QUICK-CONNECT COUPLER	1		X X	
12	R77175	COVER	1		X X	
13	R27218	FITTING PLUG	2		X X	
14	R28782	O-RING	1		X X	8.915 X 1.829 MM (0.351" X 0.072")
15	AH128927	SWITCH	1	-632098	X	(SUB AH135744)
	AH135744	SWITCH	1		X X	
	RE12363	CONNECTOR	1		X X	
	R78063	TERMINAL NIPPLE	1		X X	
	R78060	SOCKET CONTACT	1		X X	
16	38H1160	ADAPTER	1		X X	
17	R26906	O-RING	2		X X	19.177 X 2.464 MM (0.755" X 0.097")
18	38H1018	TEE FITTING	1		X X	
19	H132970	HOUSING	1		X X	
20	H129328	GASKET	1		X X	
21	19M7867	SCREW	4		X X	M8 X 25
22	H118906	COVER	1		X X	
23	H129765	GASKET	1		X X	
24	T77514	PISTON	1		X X	
25	24H1312	WASHER	1		X X	13/32" X 1-3/8" X 0.105"
26	R47449	SPRING	1		X X	
27	T45132	SPRING	1		X X	
28	AH128655	SOLENOID VALVE	2		X X	
29	U12547	O-RING	1		X X	23.470 X 2.946 MM (0.924" X 0.116")
30	38H1175	ADAPTER	1		X X	
31	38H1162	ADAPTER	1		X X	
32	T60314	SPRING	1		X X	
33	R33521	SHIM	AR		X X	0.762 MM (0.030")
34	H126028	FITTING	1		X X	
..	AH128785	SHUT-OFF VALVE	1		X X	(COMPLETE) DOES NOT INCLUDE KEYS 8 AND 20

SOLENOID CONTROL VALVE FOR ENGINE GEARCASE PRESSURE REGULATOR

HP2880 -UN-01JAN94



HP2880

16

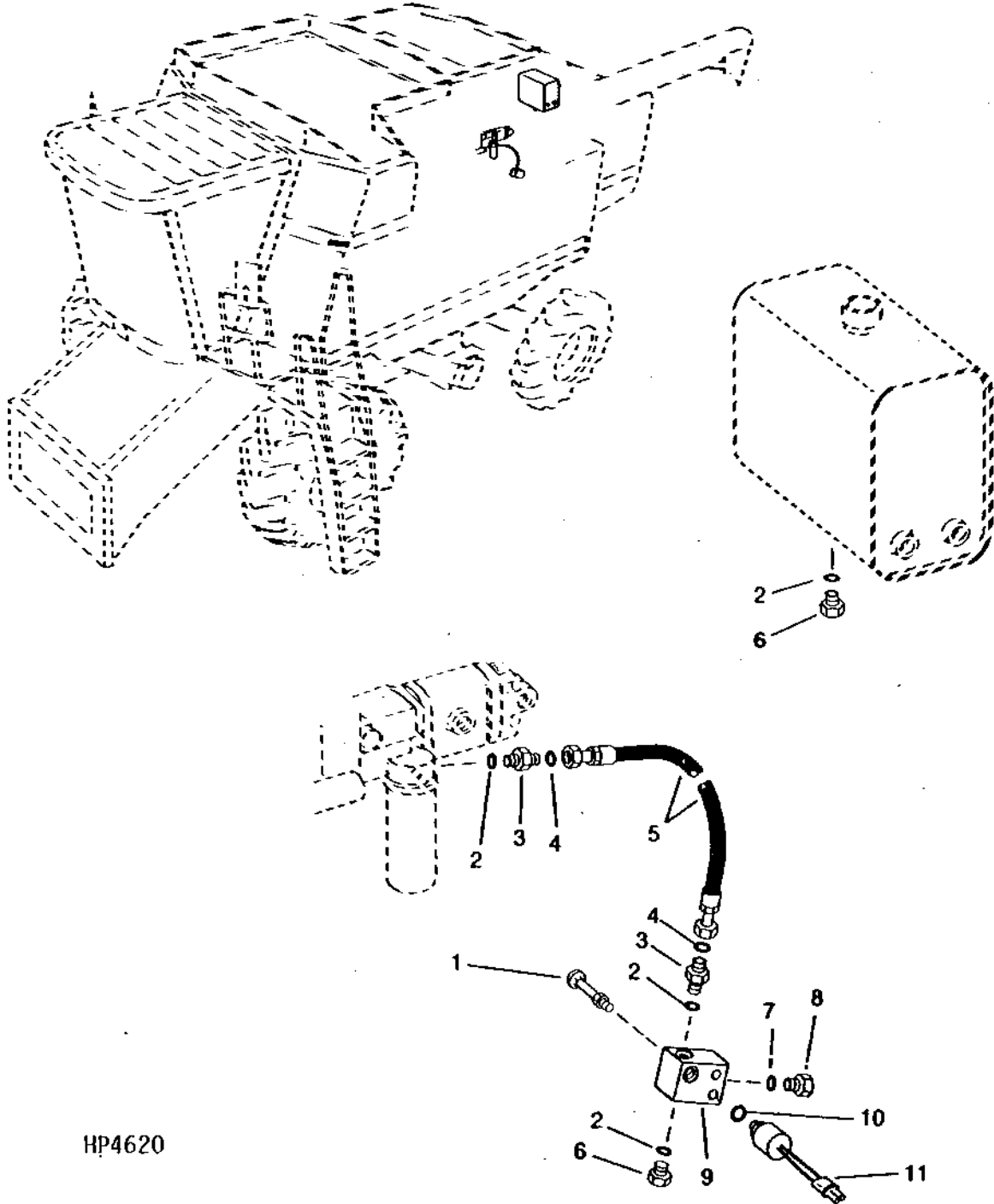
KEY	PART NO.	PART NAME	QTY	SERIAL NO.	S H 9 9 5 5 0 0 0 0	REMARKS
1	R42926	BACK-UP RING	1		X X	13.157 X 15.850 X 1.143 MM (0.518" X 0.624" X 0.045")
2	R45186	O-RING	1	-646130	X	12.421 X 1.778 MM (0.489" X 0.070") (SUB T77857)
3	T77857	O-RING	1		X X	12.421 X 1.778 MM (0.489" X 0.070")
3	R45187	BACK-UP RING	1		X X	16.332 X 19.025 X 1.143 MM (0.643" X 0.749" X 0.045")
4	R45638	O-RING	1		X X	15.596 X 1.778 MM (0.614" X 0.070")
5	R46701	SNAP RING	1		X X	
6	VALVE SPOOL	1		X X	(KIT AH128655 OR AH130949)
7	34H227	SPRING PIN	1		X X	3/32" X 1/2"
8	N31772	O-RING	1		X X	18.771 X 1.778 MM (0.739" X 0.070")
9	PLUNGER	1		X X	(KIT AH128655 OR AH130949)
10	R64698	SPRING	1		X X	
11	U12547	O-RING	1		X X	23.470 X 2.946 MM (0.924" X 0.116")
12	GUIDE	1		X X	(KIT AH128655 OR AH130949)
13	M63707	LOCK NUT	1		X X	6.350 MM (1/4")
14	AH128654	ELECTRICAL COIL	1		X X	
	R78053	PIN CONTACT CONNECTOR BODY	1		X X	(PKG OF 3)
	R78059	ELECTRICAL PLUG	1		X X	(PKG OF 40)
	R78061	PIN CONTACT	1		X X	(PKG OF 40)
15	AH130949	SOLENOID VALVE	1		X X	
16	AH128655	SOLENOID VALVE	1		X X	

MEMORANDA

6G10

CHARGE PRESSURE HOSE

(640201-)
HP4620 -UN-01JAN94



HP4620

6G11

HYDRAULICS

CHARGE PRESSURE HOSE - CONTINUED
(640201-)

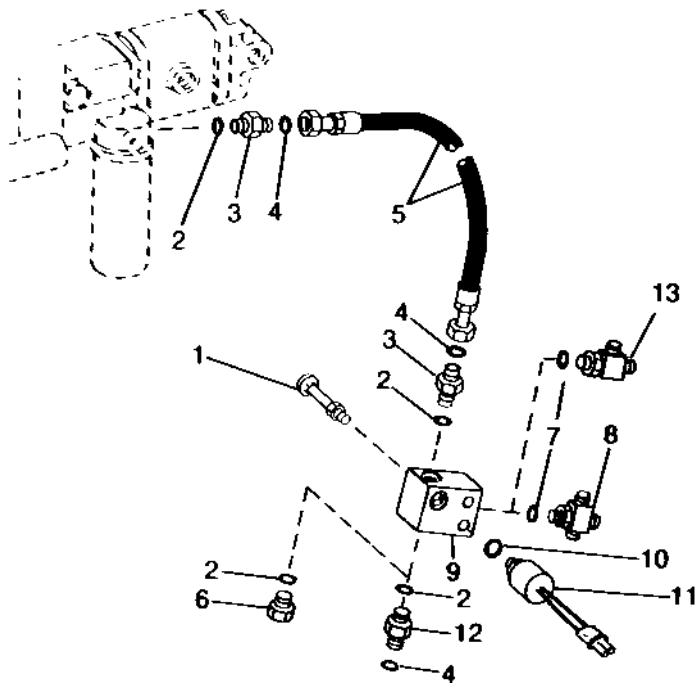
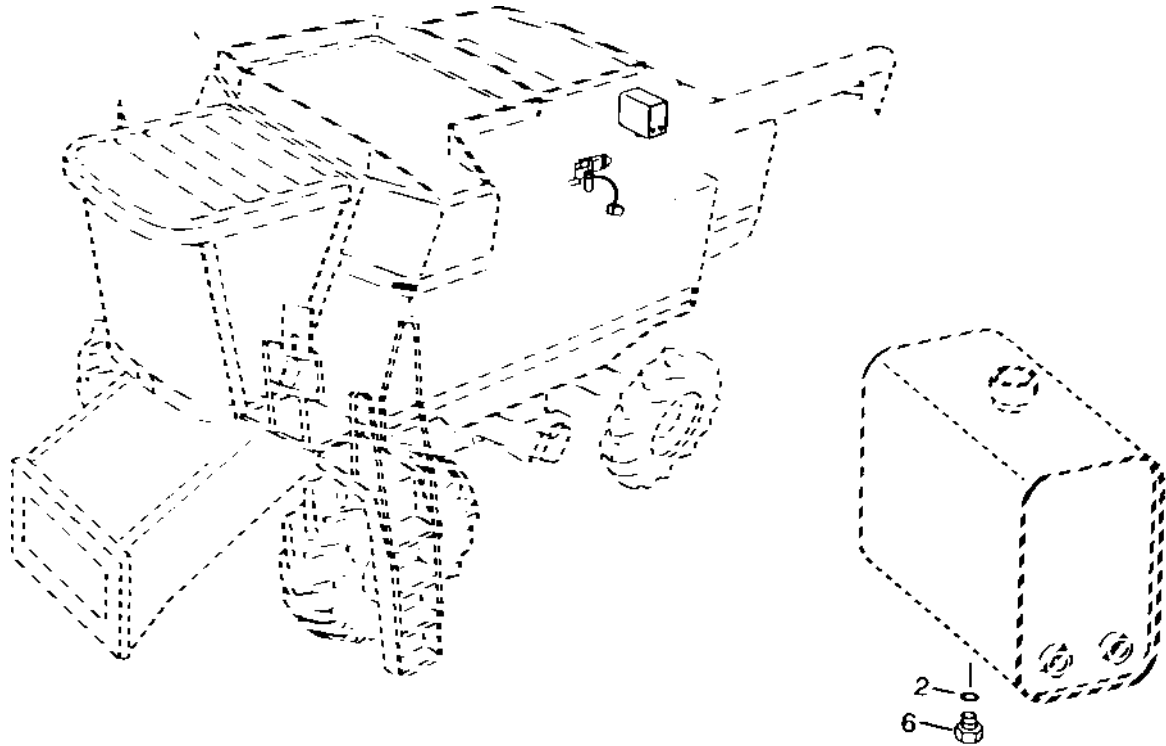
KEY	PART NO.	PART NAME	QTY	SERIAL NO.	S H 9 5 0 0 0 0	REMARKS
1	03M7267	BOLT	2	X		M8 X 80
	14M7298	FLANGE NUT	2	X		M8
2	R26448	O-RING	4	X		11.887 X 1.981 MM (0.468" X 5/64")
3	38H1160	ADAPTER	2	X		
4	T77613	O-RING	2	X		9.246 X 1.778 MM (0.364" X 0.070")
5	AH128894	HYDRAULIC HOSE	1	X		11/16" X 570 MM (22-1/2") X 11/16" (PRESSURE)
6	R27218	FITTING PLUG	2	X		
7	R26375	O-RING	1	X		16.358 X 2.210 MM (0.644" X 0.087")
8	R39112	FITTING	1	X		
9	H139448	FITTING	1	X		
10	R26448	O-RING	1	X		11.887 X 1.981 MM (0.468" X 5/64")
11	AH128929	SWITCH	1	X		

6G12

HYDRAULICS

CHARGE PRESSURE HOSE (SIDEHILL)

HP6115 -UN-29JUN95



HP6115

6G13

HYDRAULICS

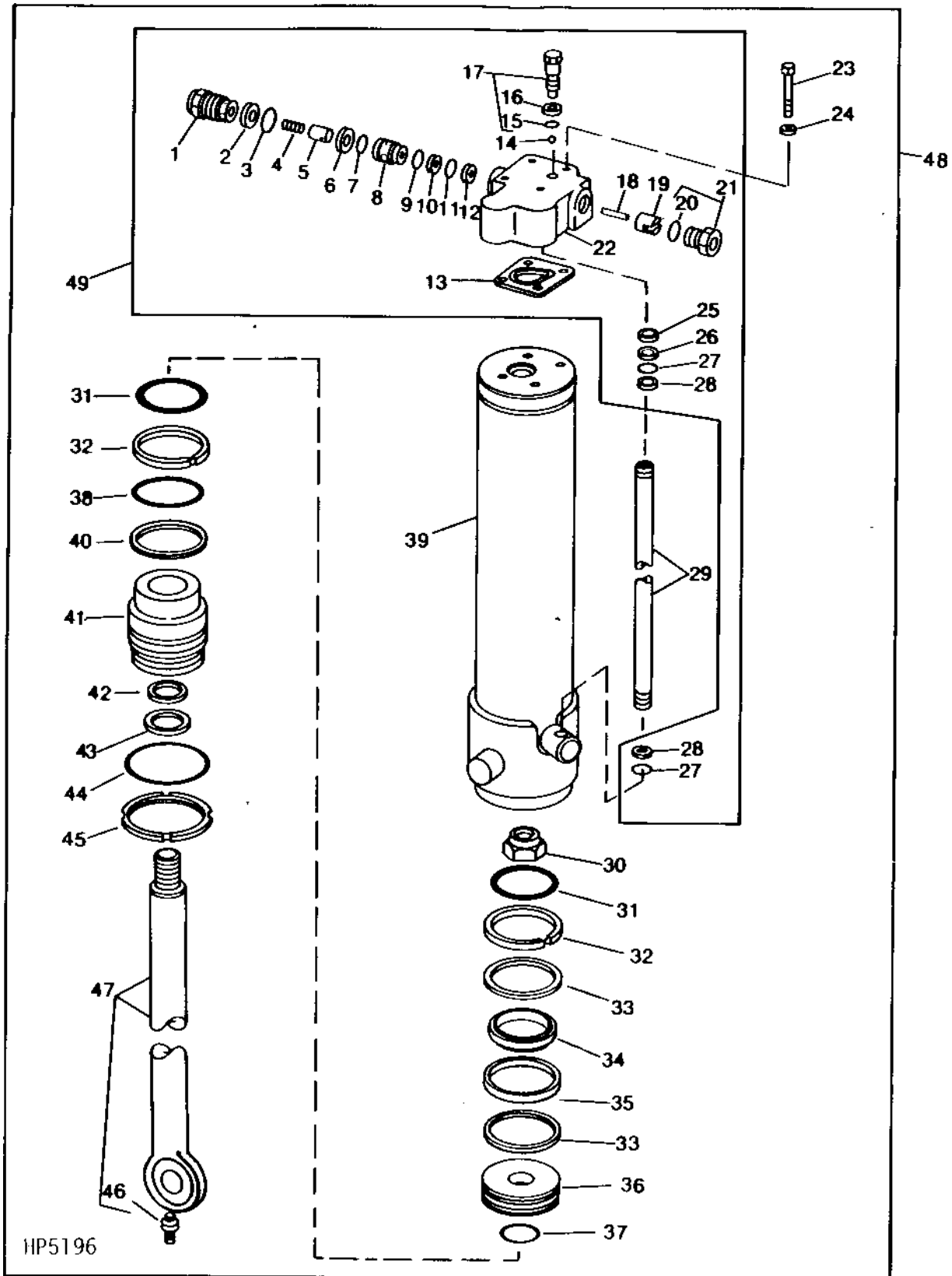
CHARGE PRESSURE HOSE (SIDEHILL) - CONTINUED

KEY	PART NO.	PART NAME	QTY	SERIAL NO.	S H 9 5 0 0	REMARKS
1	03M7267	BOLT	2		X	M8 X 80
	14M7298	FLANGE NUT	2		X	M8
2	R26448	O-RING	4		X	11.887 X 1.981 MM (0.468" X 5/64")
3	38H1160	ADAPTER	2		X	
4	T77613	O-RING	2		X	9.246 X 1.778 MM (0.364" X 0.070")
5	AH128894	HYDRAULIC HOSE	1		X	11/16" X 505 MM (20") X 11/16", 11/16" X 570 MM (22-1/2") X 11/16" (PRESSURE)
6	R27218	FITTING PLUG	2		X	FOR NON-POWERED REAR WHEELS ONLY
7	R26375	O-RING	1		X	16.358 X 2.210 MM (0.644" X 0.087")
8	38H1061	FITTING	1	-649999	X	USE WITH POWERED REAR WHEELS (ILLUSTRATED)
	38H1024	TEE FITTING	1	650000-	X	USE WITH POWERED REAR WHEELS
9	H139448	FITTING	1		X	
10	R26448	O-RING	1		X	11.887 X 1.981 MM (0.468" X 5/64")
11	AH128929	SWITCH	1		X	
12	38H1160	ADAPTER	1		X	USE WITH POWERED REAR WHEELS ONLY
13	38H1041	TEE FITTING	1		X	

6G14

HYDRAULICS

LEVELING CYLINDER (SIDEHILL)
HP5196 -UN-01JAN94



6G15

HYDRAULICS

LEVELING CYLINDER (SIDEHILL)- CONTINUED

KEY	PART NO.	PART NAME	QTY	SERIAL NO.	S H 9 5 0 0 0 0	REMARKS
1	H97289	FITTING	1		X	
2	T42802	BACK-UP RING	1		X	(B) (KIT AH96090)
3	U15974	O-RING	1		X	(B) 26.645 X 2.616 MM (1.049" X 0.103") (KIT AH96090)
4	H86881	SPRING	1		X	
5	H86880	CASE	1		X	
6	U40728	BACK-UP RING	1		X	(B) 23.825 X 26.518 X 1.143 MM (15/16" X 1.044" X 0.045") (KIT AH96090)
7	R27928	O-RING	1		X	(B) 23.520 X 1.778 MM (0.926" X 0.070") (KIT AH96090)
8	H97291	SEAT	1		X	
9	P42061	O-RING	1		X	(B) 21.946 X 1.778 MM (0.864" X 0.070") (KIT AH96090)
10	WASHER	1		X	(B) (KIT AH96090)
11	A3917R	O-RING	1		X	(B) 9.246 X 1.778 MM (0.364" X 0.070") (KIT AH96090)
12	U15414	RING	1		X	(B) (KIT AH96090)
13	H97288	GASKET	1		X	(A) (KIT AH141270)
14	H60816	BALL	1		X	(B)
15	R34802	O-RING	1		X	(B) 5.283 X 1.778 MM (0.208" X 0.070") (KIT AH96090)
16	U41516	RING	1		X	5.944 X 10.338 X 1.143 MM (15/64" X 0.407" X 0.045") (KIT AH96090)
17	AH96088	PLUG	1		X	
18	H97292	PIN	1		X	
19	H97293	PLUNGER	1		X	
20	T42798	O-RING	1		X	(B) 25.070 X 2.616 MM (0.987" X 0.103") (KIT AH96090)
21	AH90499	PLUG	1		X	
22	HOUSING	1		X	(SUB AH113671)
23	19H1733	CAP SCREW	4		X	3/8" X 2-1/2"
24	12H304	LOCK WASHER	4		X	3/8"
25	U40749	SHIM	AR		X	3/4" X 0.030"
26	U40748	SHIM	AR		X	3/4" X 0.015"
27	R459R	O-RING	2		X	(A) (KIT AH141270)
28	W23690	BACK-UP RING	2		X	(A) (KIT AH141270)
29	TUBE	1		X	
30	T24715	NUT	1		X	
31	O-RING	2		X	(A) (KIT AH141270)
32	WEAR RING	2		X	(A) (KIT AH141270)
33	BACK-UP RING	2		X	(A) (KIT AH141270)
34	SEAL	1		X	(A) (KIT AH141270)
35	PISTON RING	1		X	(A) (KIT AH141270)
36	PISTON	1		X	(KIT AH141270)
37	O-RING	1		X	(A) (KIT AH141270)
38	L2301CU	O-RING	1		X	(A) (KIT AH141270)
39	HYDRAULIC CYLINDER BARREL	1		X	
40	BACK-UP RING	1		X	3/16" X 1-3/4", (KIT AH141270)
41	H157597	HYDR. CYLINDER ROD GUIDE	1		X	
42	SEAL	1		X	(A) (KIT AH141270)
43	SEAL	1		X	(A) (KIT AH141270)
44	N133565	SNAP RING	1		X	(A) (KIT AH141270) (NO LONGER AVAILABLE)
45	N133564	NUT	1		X	
46	JD7842	LUBRICATION FITTING	1		X	LEVELING
47	AH149921	END	1		X	
48	AH141269	HYDRAULIC CYLINDER	1		X	LEVELING
49	AH113671	KIT	2		X	(USE WITH AR31674)
..	AH141270	HYDRAULIC CYLINDER KIT	1		X	CYLINDER BARREL SEAL REPAIR (INCLUDES PARTS MARKED (A))
..	AH96090	KIT	1		X	VALVE BLOCK SEAL REPAIR (INCLUDES PARTS MARKED (B))

NOTE: QUANTITIES SHOWN ARE FOR ONE UNIT. TWO UNITS USED PER MACHINE

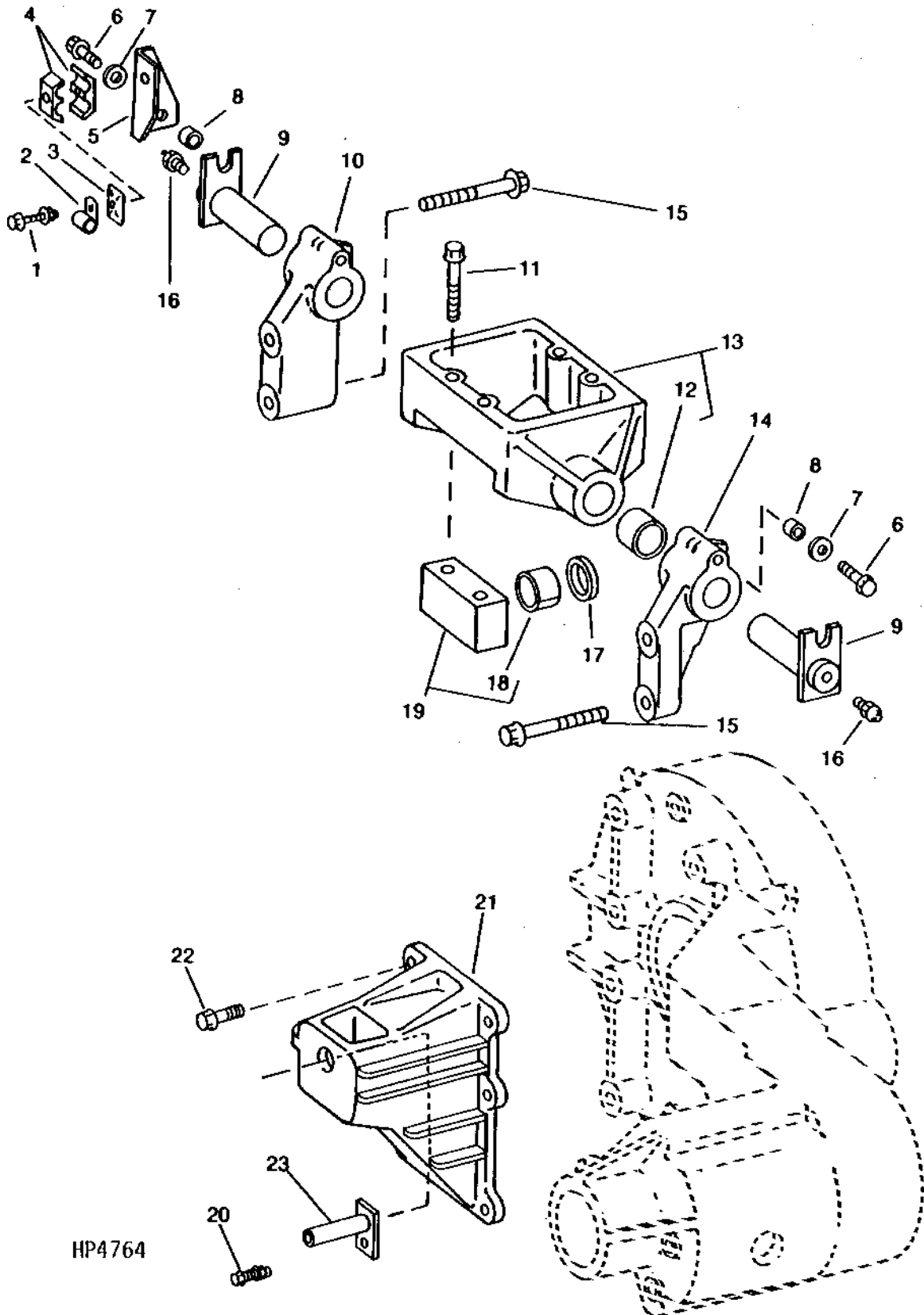
6G16

HYDRAULICS

LEVELING CYLINDER MOUNTING BRACKETS AND PINS (SIDEHILL)

(LEFT SIDE ILLUSTRATED)

HP4764 -UN-01JAN94



6G17

HYDRAULICS

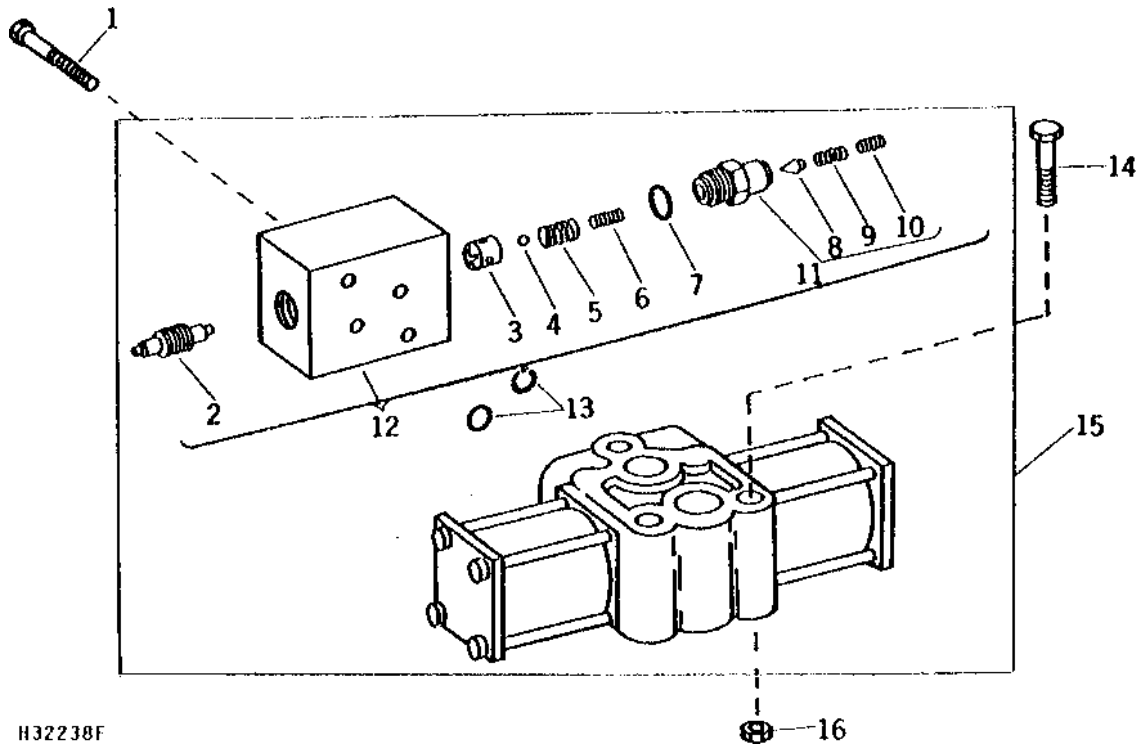
LEVELING CYLINDER MOUNTING BRACKETS AND PINS (SIDEHILL) CONTINUED

KEY	PART NO.	PART NAME	QTY	SERIAL NO.	S H 9 5 0 0 0 0	REMARKS
1	19M7802	SCREW	2		X	M8 X 65
	14M7298	FLANGE NUT	2		X	M8
2	H75541	CLAMP	2		X	
3	H112567	PLATE	2		X	
4	H122772	CLAMP	4		X	
5	H143690	BRACKET	1		X	
6	19M7791	SCREW	2		X	M12 X 40
7	24M7180	WASHER	2		X	13 X 37 X 3 MM
8	R36728	BUSHING	2		X	13.081 X 18.288 X 18.288 MM (0.515" X 0.720" X 0.720")
9	AH96446	PIN	2		X	
10	H141482	SUPPORT	1		X	REAR
11	19M7820	SCREW	4		X	M12 X 100
12	R65828	BUSHING	2		X	50.775 X 55.500 X 50.800 MM (1.999" X 2.185" X 2")
13	AH135963	TRUNNION	1		X	CYLINDER
14	H141481	SUPPORT	1		X	FRONT
15	19M7853	SCREW	4		X	M20 X 150
16	JD7759	LUBRICATION FITTING	2		X	
17	H101223	WASHER	2		X	50.800 X 61.976 X 6.096 MM (2" X 2.440" X 0.240") ON CYLINDER TRUNNION
18	H101195	BUSHING	2		X	
19	AH140558	PILLOW BLOCK	2		X	
20	19M8306	SCREW	1		X	M12 X 50
	14M7401	LOCK NUT	1		X	M12
21	H146553	HOUSING	1		X	
22	19M7895	SCREW	6		X	M20 X 50
23	AH140394	PIVOT	1		X	

6G18

HYDRAULICS

LEVELING VALVE (SIDEHILL)
H32238F -UN-01JAN94



H32238F

16

S
H
9 9
5 5
0 0
0 0

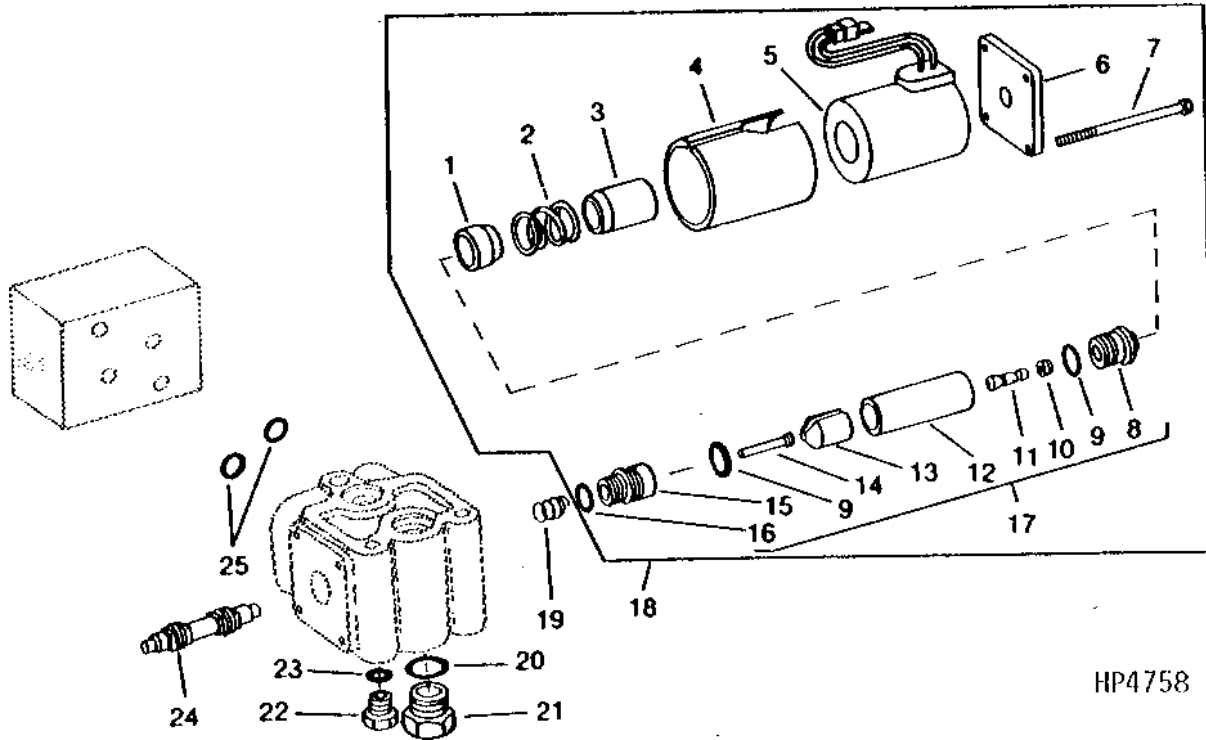
KEY	PART NO.	PART NAME	QTY	SERIAL NO.	REMARKS
1	19H1901	CAP SCREW	2		X 5/16" X 2"
2	SPOOL	1		X
3	POPPET	2		X (A)
4	BALL CHECK	2		X (A)
5	SPRING	2		X (A)
6	SPRING	2		X (A)
7	R26375	O-RING	2		X (A) 16.358 X 2.210 MM (0.644" X 0.087")
8	POPPET	2		X
9	SPRING	2		X
10	SET SCREW	2		X
11	AH136242	KIT	2		X
12	AH137205	VALVE STACK	1		X
13	H81608	O-RING	2		X (A)
14	19M8039	SCREW	3		X M8 X 80
15	AH135448	VALVE	1		X
16	14M7298	FLANGE NUT	3		X M8
..	AH90688	TUNE-UP KIT	1		X KIT, REPAIR (INCLUDES PARTS MARKED (A))

6G19

HYDRAULICS

MAIN VALVE BLOCK SOLENOID (SIDEHILL)

HP4758 -UN-01JAN94



HP4758

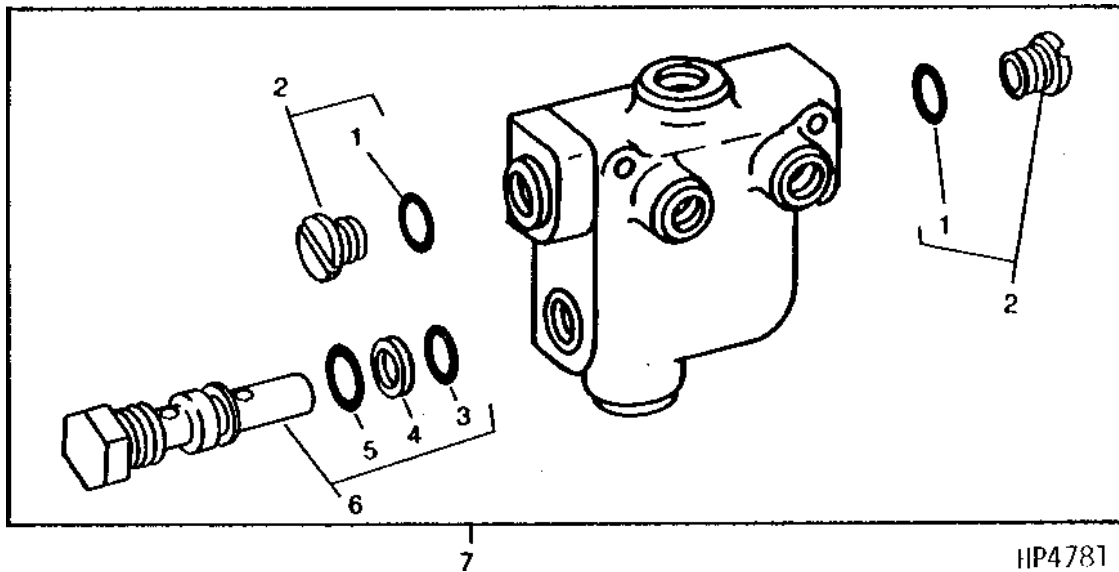
KEY	PART NO.	PART NAME	QTY	SERIAL NO.	REMARKS
				S	
				H	
				9 9	
				5 5	
				0 0	
				0 0	
1	SPOOL	2	X	SHORT
2	SPRING	2	X	
3	SPOOL	2	X	LONG
4	CASE	2	X	
5	AH106625	ELECTRICAL COIL	2	X	
6	H89331	PLATE	2	X	END
7	H89769	SCREW	8	X	4.826 X 74.676 MM (0.190" X 2.940")
8	GUIDE	2	X	
9	H63283	O-RING	4	X	(A) 13.995 X 1.778 MM (0.551" X 0.070")
10	H89335	RING	2	X	(A) 3.175 X 1.575 MM (1/8" X 1/16")
11	PIN	2	X	
12	TUBE	2	X	
13	PLUNGER	2	X	
14	PIN	2	X	
15	BEARING CONE	2	X	
16	Z29304	O-RING	2	X	(A) 15.596 X 1.778 MM (0.614" X 0.070")
17	AH90683	CAP	2	X	
18	AH90684	KIT	1	X	SOLENOID
19	H107970	BUSHING	2	X	
20	R26375	O-RING	1	X	16.358 X 2.210 MM (0.644" X 0.087")
21	R39112	FITTING	1	X	
22	R27218	FITTING PLUG	1	X	
23	R26448	O-RING	1	X	11.887 X 1.981 MM (0.468" X 5/64")
24	AH106626	KIT	1	X	(INCLUDES H107970)
25	H81608	O-RING	2	X	(A) 12.421 X 1.778 MM (0.489" X 0.070")
..	AH90687	SEAL KIT	1	X	SEAL REPAIR (INCLUDES PARTS MARKED (A))

6G20

HYDRAULICS

FLOW DIVIDER VALVE AND MOUNTING (SIDEHILL)

HP4781 -UN-01JAN94



HP4781

KEY	PART NO.	PART NAME	QTY	SERIAL NO.	S H 9 5 0 0	REMARKS
1	U12547	O-RING	2		X	23.470 X 2.946 MM (0.924" X 0.116")
2	AW14891	FITTING PLUG	2		X	
3	R375R	O-RING	1		X	15.545 X 2.616 MM (0.612" X 0.103")
4	H63357	BACK-UP RING	1		X	15.875 X 20.244 X 1.143 MM (5/8" X 51/64" X 0.045") (RUBBER)
5	T13119	O-RING	1		X	18.720 X 2.616 MM (0.737" X 0.103")
6	AH140071	VALVE STACK	1		X	
7	AH135807	VALVE	1		X	FLOW DIVIDER

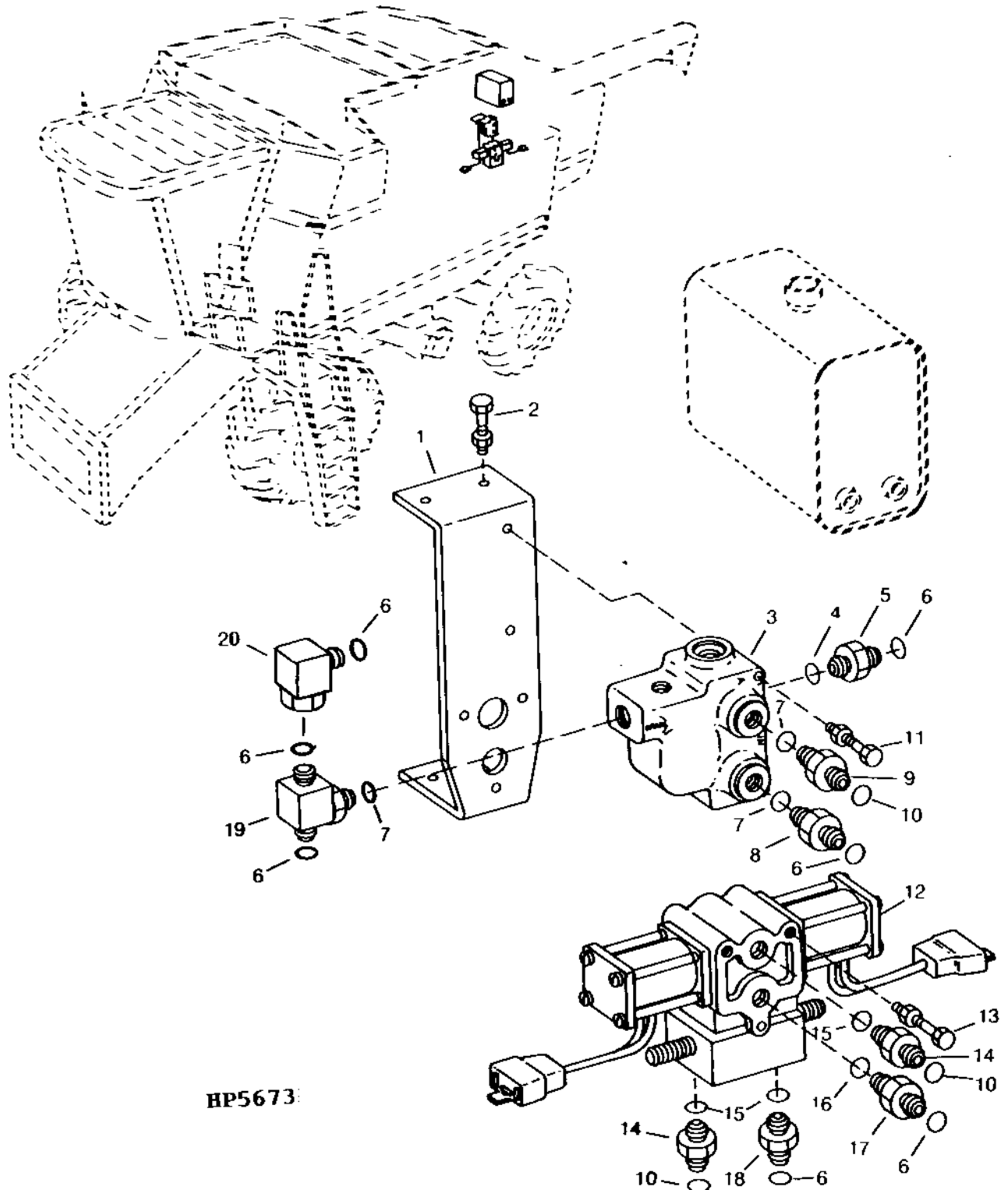
MEMORANDA

6G21

HYDRAULICS

LEVELING SOLENOID VALVE AND FLOW DIVIDER (SIDEHILL)

HP5673 -UN-01JAN94



HP5673

6G22

HYDRAULICS

LEVELING SOLENOID VALVE AND FLOW DIVIDER (SIDEHILL)- CONTINUED

KEY	PART NO.	PART NAME	QTY	SERIAL NO.	S H 9 5 0 0	REMARKS
1	H143696	BRACKET	1		X	
2	19M7866	SCREW	2		X	M8 X 20
	14M7298	FLANGE NUT	2		X	M8
3	AH135807	VALVE	1		X	
4	U12547	O-RING	1		X	23.470 X 2.946 MM (0.924" X 0.116")
5	38H1329	ADAPTER	1		X	STRAIGHT
6	T77932	O-RING	6	-651132	X	15.596 X 1.778 MM (0.614" X 0.070")
	T77932	O-RING	7	651133-	X	15.596 X 1.778 MM (0.614" X 0.070")
7	R26906	O-RING	3		X	19.177 X 2.464 MM (0.755" X 0.097")
8	38H1162	ADAPTER	1		X	STRAIGHT
9	38H1174	ADAPTER	1		X	STRAIGHT
10	T77857	O-RING	3		X	12.421 X 1.778 MM (0.489" X 0.070")
11	19M7803	SCREW	2		X	M8 X 70
	14M7298	FLANGE NUT	2		X	M8
12	AH135448	VALVE	1		X	
13	19M8039	SCREW	3		X	M8 X 80
	14M7298	FLANGE NUT	3		X	M8
14	38H1161	ADAPTER	2		X	STRAIGHT
15	R26375	O-RING	3		X	16.358 X 2.210 MM (0.644" X 0.087")
16	R26448	O-RING	1		X	11.887 X 1.981 MM (0.468" X 5/64")
17	38H1512	FITTING	1		X	STRAIGHT
18	38H1317	FITTING	1		X	STRAIGHT
19	38H1018	TEE FITTING	1		X	TEE
20	38H1096	ELBOW FITTING	1	650329-		

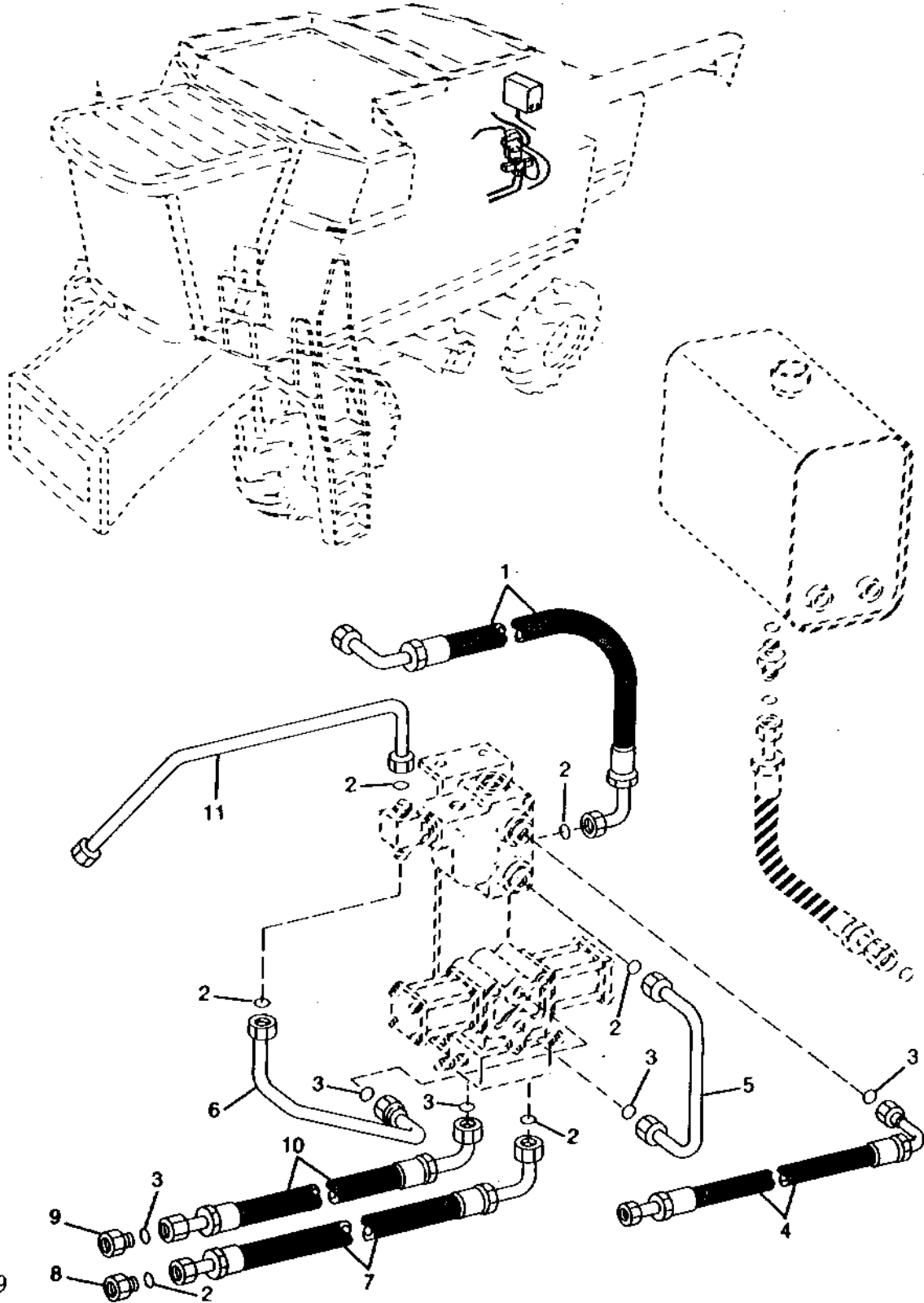
6G23

HYDRAULICS

LEVELING VALVE OIL LINES AND HOSES (SIDEHILL)

(645000-650000)

HP4789 -UN-01JAN94



HP4789

6G24

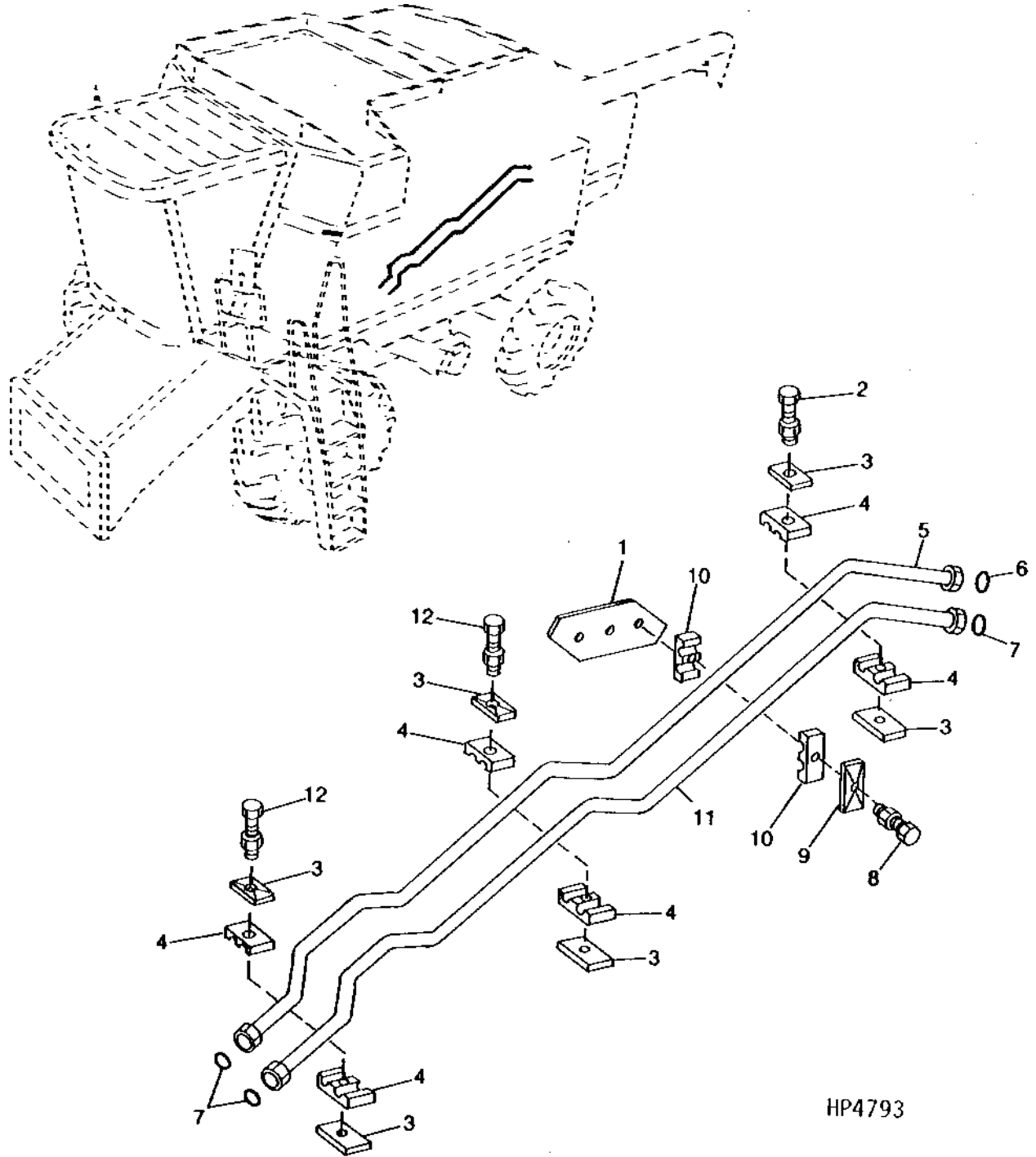
HYDRAULICS

**LEVELING VALVE OIL LINES AND HOSES (SIDEHILL)- CONTINUED
(645000-650000)**

KEY	PART NO.	PART NAME	QTY	SERIAL NO.	S H 9 5 0 0 0	REMARKS
1	AH136110	HYDRAULIC HOSE	1		X	1" X 875 MM (34-1/2") X 1", FROM INLET PORT OF FLOW DIVIDER TO MAIN HYDRAULIC PUMP
2	T77932	O-RING	4		X	15.596 X 1.778 MM (0.614" X 0.070")
3	T77857	O-RING	5		X	12.421 X 1.778 MM (0.489" X 0.070")
4	AH136111	HYDRAULIC HOSE	1		X	13/16" X 775 MM (30-1/2") X 1", PRESSURE (FLOW DIVIDER TO HP LINE)
5	AH136263	OIL LINE	1		X	PRESSURE (FROM "B" PORT OF FLOW DIVIDER TO SOLENOID VALVE PR PORT)
6	AH136264	OIL LINE	1		X	RETURN (FROM EX PORT OF SOLENOID VALVE TO BOTTOM OF TEE IN DR PORT OF FLOW DIVIDER)
7	AH138549	HYDRAULIC HOSE	1		X	1" X 775 MM (30-1/2") X 1", TO R.H. LEVELING CYLINDER LINE
8	38H1148	FITTING PLUG	1		X	
9	38H1147	FITTING PLUG	1		X	
10	AH138548	HYDRAULIC HOSE	1		X	13/16" X 665 MM (26-1/4") X 13/16", TO L.H. LEVELING CYLINDER LINE
11	AH136115	OIL LINE	1	-651132	X	FROM MANIFOLD BLOCK TO TOP OF TEE IN DR PORT IN FLOW DIVIDER

LEVELING CYLINDER UPPER OIL LINES (SIDEHILL)

HP4793 -UN-01JAN94



6H2

HYDRAULICS

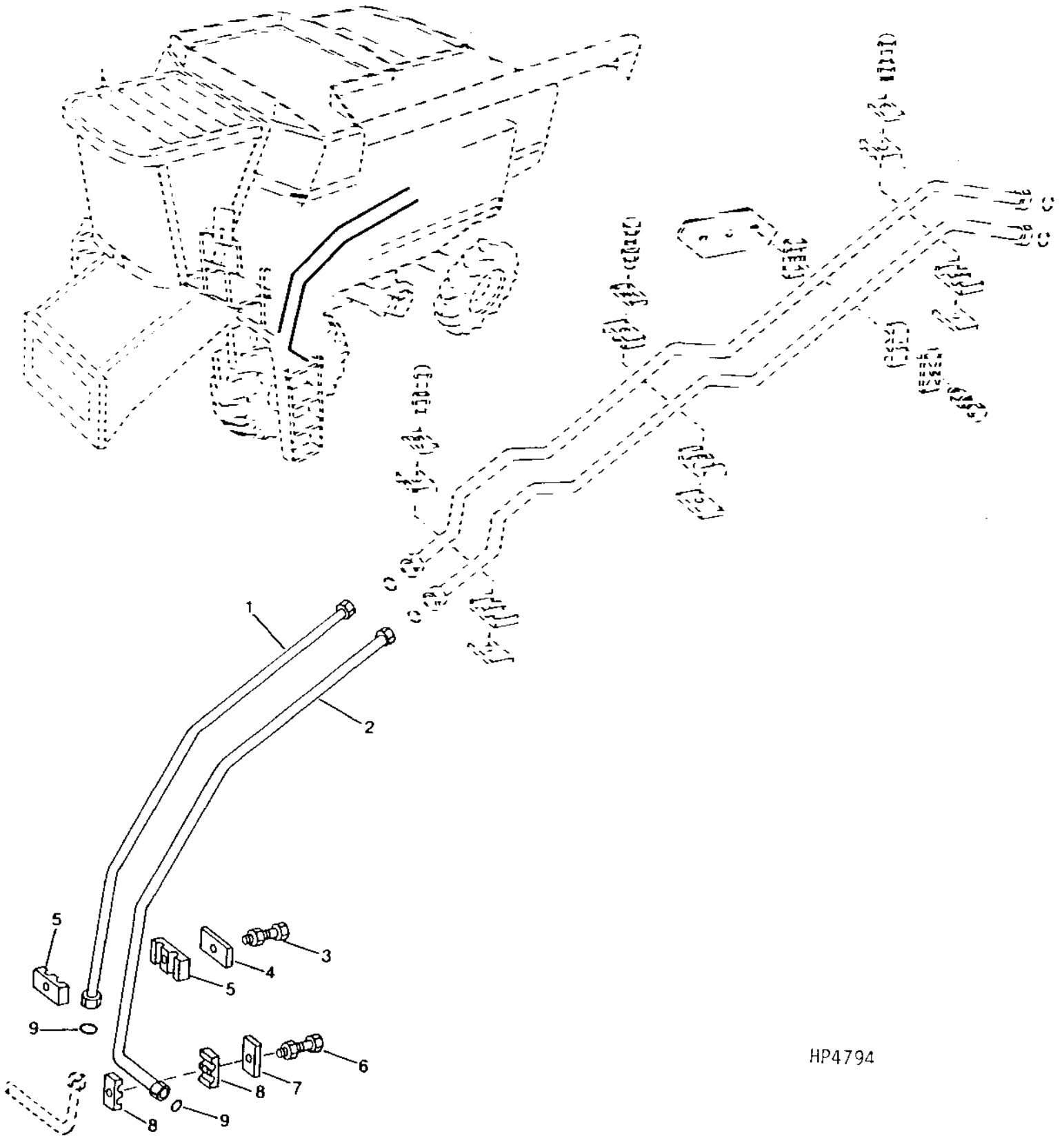
LEVELING CYLINDER UPPER OIL LINES (SIDEHILL)- CONTINUED

KEY	PART NO.	PART NAME	QTY	SERIAL NO.	S H 9 5 0 0	REMARKS
1	H141705	PLATE	1		X	
2	19M8319	SCREW	1		X	M8 X 50
	14M7298	FLANGE NUT	1		X	M8
3	H121168	PLATE	4		X	
4	H135156	CLAMP	2		X	
5	AH137560	OIL LINE	1		X	UPPER, R.H. CYLINDER ROD SIDE
6	T77932	O-RING	1		X	15.596 X 1.778 MM (0.614" X 0.070")
7	T77857	O-RING	3		X	12.421 X 1.778 MM (0.489" X 0.070")
8	19M7979	SCREW	1		X	M8 X 55
	14M7298	FLANGE NUT	1		X	M8
9	H112567	PLATE	1		X	
10	H141706	CLAMP	2		X	
11	AH137561	OIL LINE	1		X	UPPER, L.H. CYLINDER ROD SIDE
12	19M7803	SCREW	2		X	M8 X 70
	14M7298	FLANGE NUT	2		X	M8

6H3

LEVELING CYLINDER LOWER OIL LINES (SIDEHILL)

HP4794 -UN-01JAN94



HP4794

6H4

HYDRAULICS

LEVELING CYLINDER LOWER OIL LINES (SIDEHILL)- CONTINUED

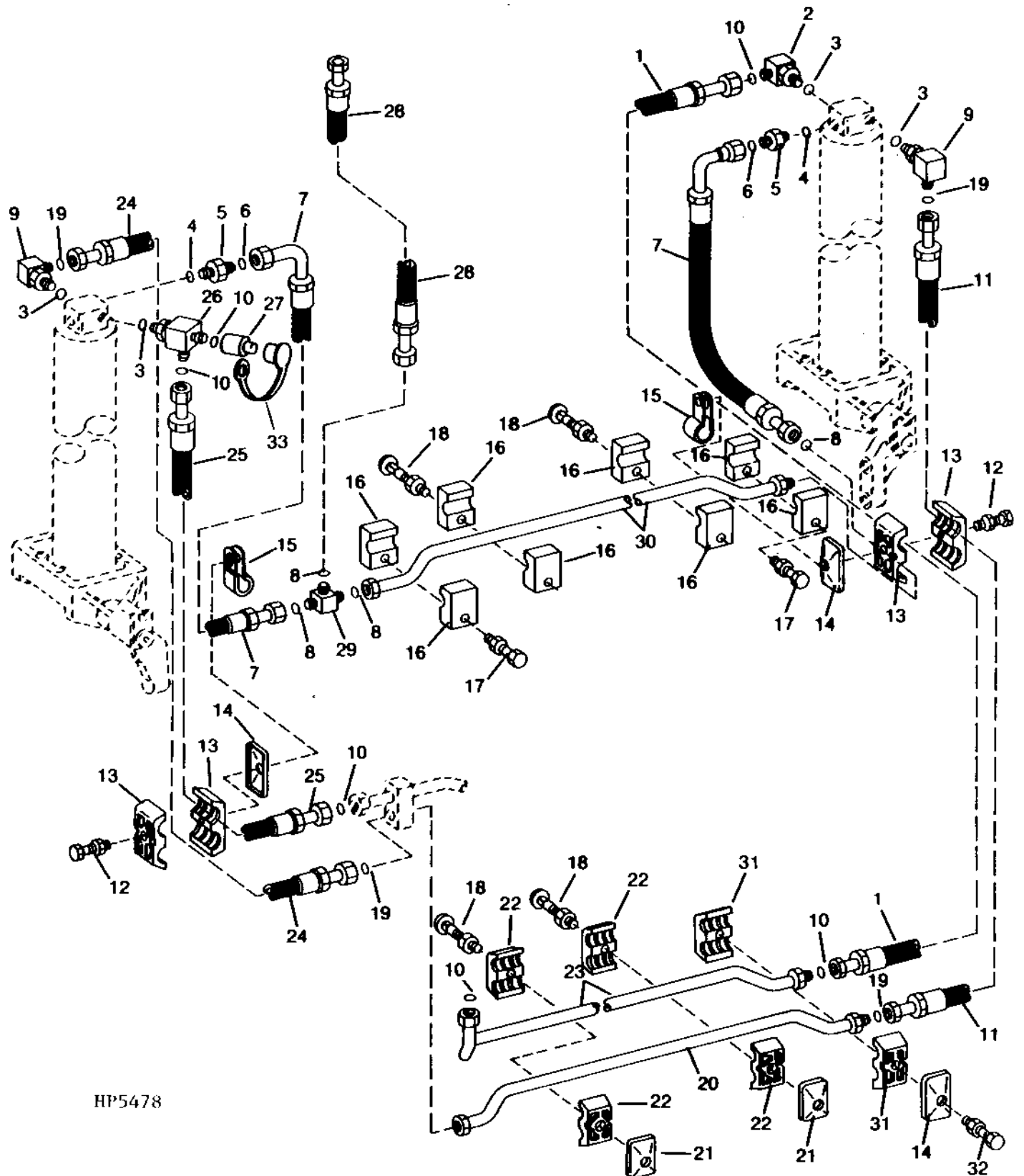
KEY	PART NO.	PART NAME	QTY	SERIAL NO.	S H 9 5 0 0	REMARKS
1	AH137567	OIL LINE	1		X	LOWER, R.H. CYLINDER ROD SIDE
2	AH137568	OIL LINE	1	-660200	X	(SUB AH145899) LOWER, L.H. CYLINDER ROD SIDE
	AH145899	OIL LINE	1		X	
3	19M7803	SCREW	1		X	M8 X 70
	14M7298	FLANGE NUT	1		X	M8
4	H121168	PLATE	2		X	
5	H135156	CLAMP	4		X	
6	19M7979	SCREW	1		X	M8 X 55
	14M7298	FLANGE NUT	1		X	M8
7	H112567	PLATE	1		X	
8	H141510	CLAMP	2		X	
9	T77857	O-RING	2		X	12.421 X 1.778 MM (0.489" X 0.070")

6H5

HYDRAULICS

LEVELING CYLINDER HOSES AND OIL LINES (SIDEHILL)

HP5478 -UN-01JAN94



HP5478

6H6

HYDRAULICS

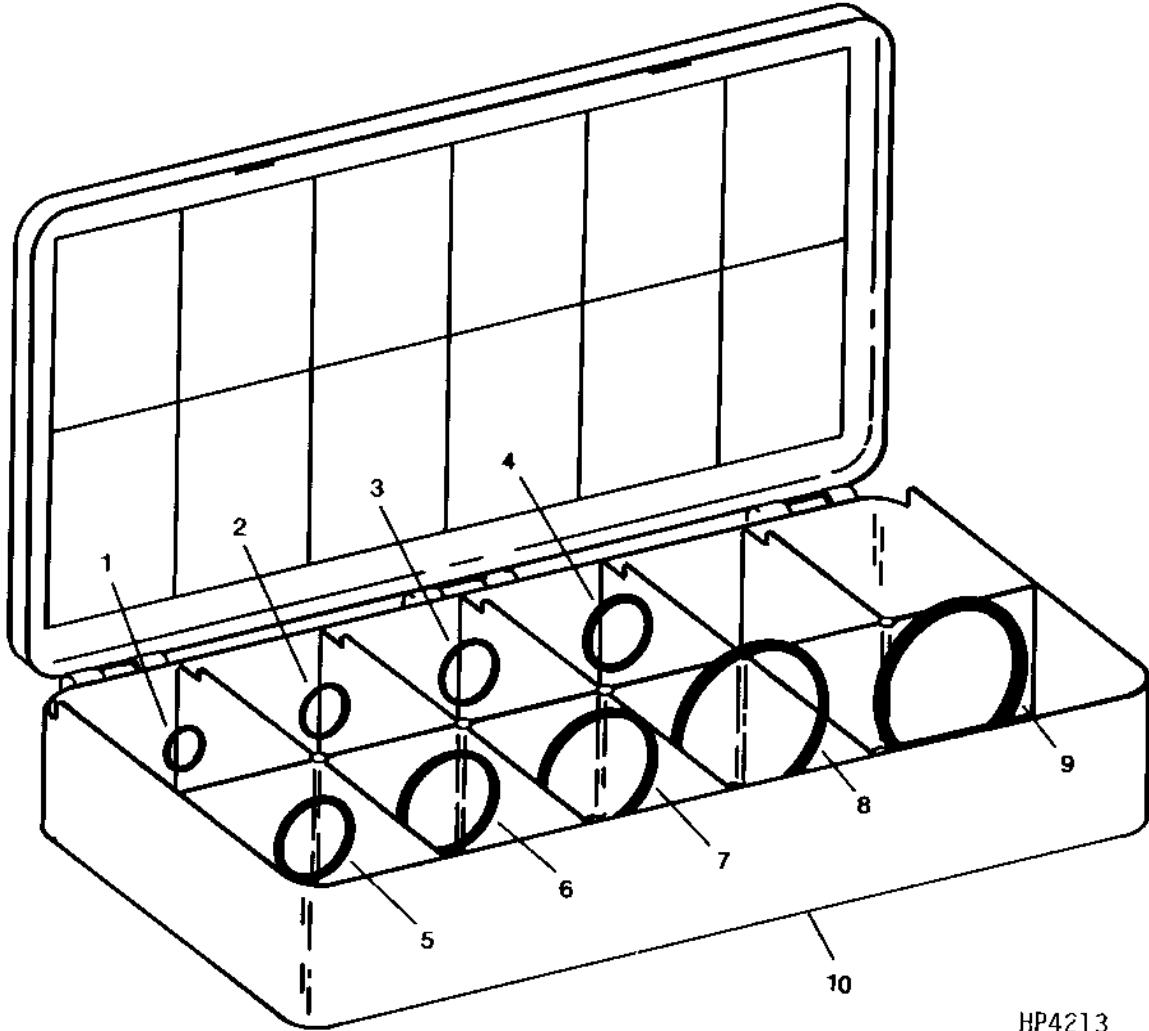
LEVELING CYLINDER HOSES AND OIL LINES (SIDEHILL)- CONTINUED

KEY	PART NO.	PART NAME	QTY	SERIAL NO.	S H 9 5 0 0 0 0	REMARKS
1	AH138547	HYDRAULIC HOSE	1		X	13/16" X 1 610 MM (63-1/2") X 13/16", R.H. ROD PORT TO L.H. ROD PORT
2	38H1005	ELBOW FITTING	1		X	90°
3	R26375	O-RING	4		X	16.358 X 2.210 MM (0.644" X 0.087")
4	R28782	O-RING	2		X	8.915 X 1.829 MM (0.351" X 0.072")
5	38H1159	ADAPTER	2		X	STRAIGHT
6	T77814	O-RING	2		X	7.645 X 1.778 MM (0.301" X 0.070")
7	AH137572	HYDRAULIC HOSE	2		X	11/16" X 1 425 MM (56") X 9/16", CYLINDER TO TANK RESERVOIR
8	T77613	O-RING	4		X	9.246 X 1.778 MM (0.364" X 0.070")
9	38H1405	ELBOW FITTING	2		X	90°
10	T77857	O-RING	5		X	12.421 X 1.778 MM (0.489" X 0.070")
11	AH137616	HYDRAULIC HOSE	1		X	1" X 1 515 MM (59-3/4") X 1", R.H. PISTON PORT TO L.H. PISTON PORT
12	19M7802	SCREW	2		X	M8 X 65
	14M7298	FLANGE NUT	2		X	M8
13	H122772	CLAMP	4		X	
14	H112567	PLATE	2		X	
15	H75541	CLAMP	2		X	
16	H127589	CLAMP	8		X	
17	19M8317	SCREW	2		X	M8 X 40
	14M7298	FLANGE NUT	2		X	M8
18	03M7189	BOLT	4		X	M8 X 45
	14M7298	FLANGE NUT	4		X	M8
19	T77932	O-RING	4		X	15.596 X 1.778 MM (0.614" X 0.070")
20	AH137570	OIL LINE	1		X	BOTTOM
21	H121168	PLATE	2		X	
22	H135156	CLAMP	4		X	
23	AH137569	OIL LINE	1		X	CENTER
24	AH137614	HYDRAULIC HOSE	1		X	1" X 1 710 MM (67-1/4") X 1"
25	AH138546	HYDRAULIC HOSE	1		X	13/16" X 1 465 MM (57-3/4") X 13/16"
26	38H1024	TEE FITTING	1		X	
27	RE43774	FITTING	1		X	DIAGNOSTIC
28	AH138553	HYDRAULIC HOSE	1		X	11/16" X 310 MM (12-1/4") X 11/16"
29	38H1205	TEE FITTING	1		X	
30	AH137576	OIL LINE	1		X	TOP
31	H141510	CLAMP	2		X	
32	19M7979	SCREW	1		X	M8 X 55
	14M7298	FLANGE NUT	1		X	M8
33	R77175	COVER	1		X	

6H7

HYDRAULICS

HYDRAULIC FLAT O-RING KIT
HP4213 -UN-01JAN94



HP4213

6H8

HYDRAULICS

HYDRAULIC FLAT O-RING KIT - CONTINUED

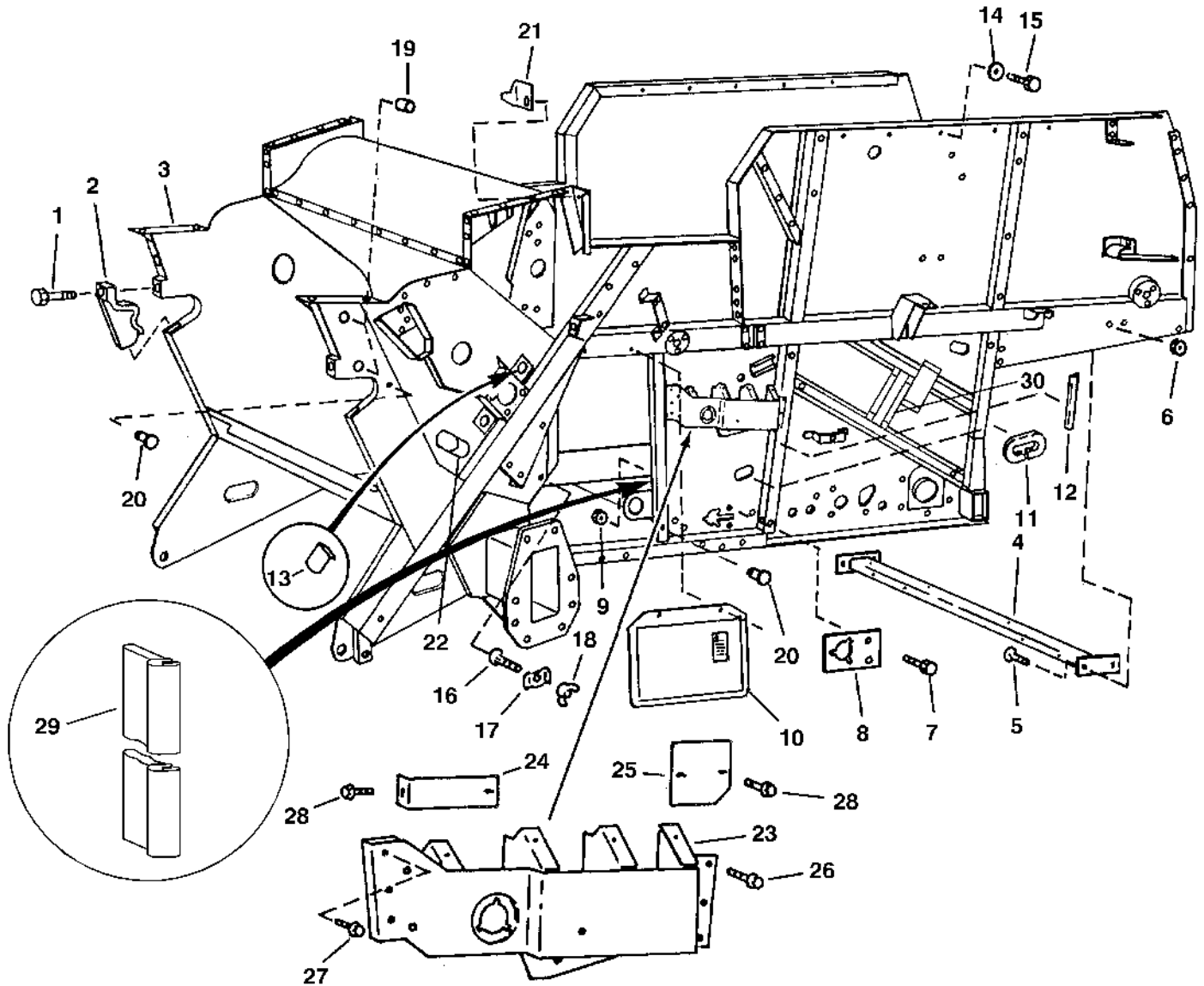
KEY	PART NO.	PART NAME	QTY	SERIAL NO.	S H 9 5 0 0	REMARKS
1	T77814	O-RING	10		X X	7.645 X 1.778 MM (0.301" X 0.070") SIZE -4
2	T77613	O-RING	12		X X	9.246 X 1.778 MM (0.364" X 0.070") SIZE -6
3	T77857	O-RING	12		X X	12.421 X 1.778 MM (0.489" X 0.070") SIZE -8
4	T77932	O-RING	12		X X	15.596 X 1.778 MM (0.614" X 0.070") SIZE -10
5	T77858	O-RING	12		X X	18.771 X 1.778 MM (0.739" X 0.070") SIZE -12
6	T76938	O-RING	12		X X	23.520 X 1.778 MM (0.926" X 0.070") SIZE -16
7	T78612	O-RING	5		X X	29.870 X 1.778 MM (1.176" X 0.070") SIZE -20
8	T78784	O-RING	5		X X	37.821 X 1.778 MM (1.489" X 0.070") SIZE -24
9	T78313	O-RING	6		X X	32.918 X 3.531 MM (1.296" X 0.139")
10	AT85197	O-RING KIT	1		X X	

MEMORANDA

7B23

SEPARATOR SHELL

SEPARATOR FRAME
HP6867 -UN-04AUG97



HP6867

7B24

SEPARATOR SHELL

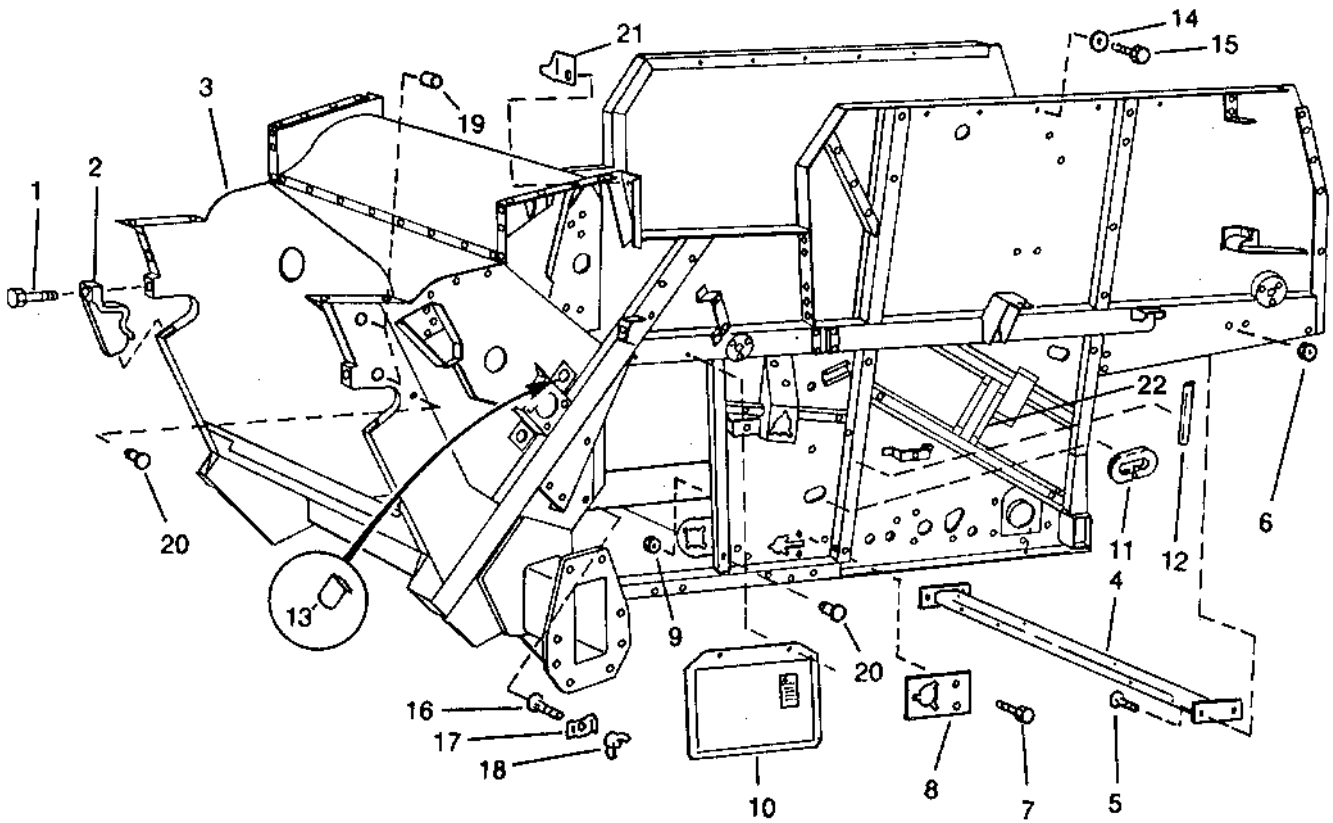
SEPARATOR FRAME- CONTINUED

KEY	PART NO.	PART NAME	QTY	SERIAL NO.	S H 9 5 0 0 0 0	REMARKS
1	19M7831	SCREW	2		X	
2	H134666	RETAINER	2	-635200	X	
	H158749	RETAINER	2	635201-	X	(SUB FOR H140645 OR H147074)
3	FRAME	1		X	
4	AH132360	CROSSBAR	2		X	
5	03M7247	BOLT	8	-651119	X	M10 X 90
	03M7247	BOLT	4	651120-	X	M10 X 90
	19M7811	SCREW	4	651120-	X	M10 X 90
6	14M7296	FLANGE NUT	8		X	M10
7	19M7865	SCREW	2		X	M8 X 16
8	H132539	COVER	1		X	
9	14M7298	FLANGE NUT	2		X	M8
10	H130349	COVER	2		X	
11	SEAL	2		X	(CUT FROM AH133091)
12	SEAL	2		X	(CUT FROM AH133091)
13	H89544	DOOR	4		X	TO CHECK CYLINDER TO CONCAVE CLEARANCE
14	24M7178	WASHER	10		X	10.500 X 30 X 2.500 MM
15	37M7080	SCREW	10		X	M10 X 30, THRU ENGINE PLATFORM AND INTO FRAME SILL WELD NUT
16	03M7185	BOLT	4		X	M8 X 25
17	P47159	CLAMP	4		X	
18	14M7020	WING NUT	4		X	M8
19	H120379	SPACER	4		X	10.744 X 17.140 X 66 MM (0.423" X 0.675" X 2.598")
20	H132926	PLUG	4		X	
21	H140866	CLAMP	1	640201-	X	
22	H148000	PLUG	1		X	KNOCK OUT PLUG (TO CONVERT TO RICE CYLINDER) IF LOST - WELD IN PLACE
23	AH140485	BRACKET	1	645201-	X	L.H.
	AH140484	BRACKET	1	645201-	X	R.H.
24	H144715	SHIELD	1	645201-	X	L.H.
	H144716	SHIELD	1	645201-	X	R.H.
25	H144717	SHIELD	1	645201-	X	L.H. ONLY
26	19M7785	SCREW	3	645201-	X	M10 X 25
27	19M8292	SCREW	3	645201-	X	M10 X 50
28	37M7089	SCREW	2	645201-	X	M6 X 12
29	SEAL	1		X	180MM, (CUT FROM AH133091)

7C1

SEPARATOR SHELL

SEPARATOR FRAME (SIDEHILL)
HP6866 -UN-04AUG97



HP6866

7C2

SEPARATOR SHELL

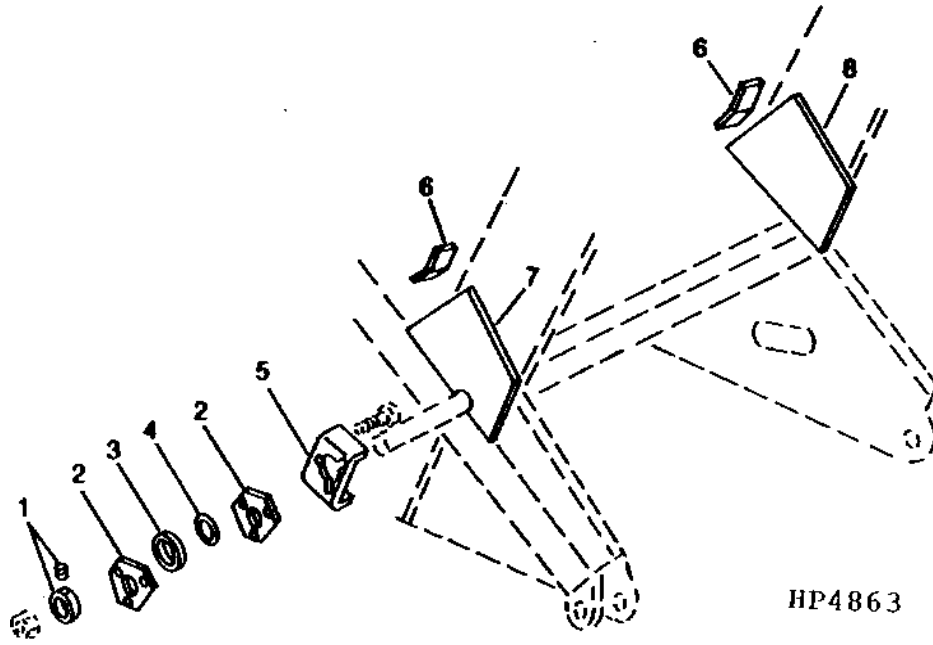
SEPARATOR FRAME (SIDEHILL) - CONTINUED

KEY	PART NO.	PART NAME	QTY	SERIAL NO.	S H 9 5 0 0	REMARKS
1	19M7831	SCREW	2		X	M20 X 80
2	H158749	RETAINER	2		X	(SUB FOR H140645 OR H147074)
3	FRAME	1		X	
4	AH132361	CROSSBAR	2		X	
5	03M7218	BOLT	8		X	M10 X 80
6	14M7296	FLANGE NUT	8		X	M10
7	19M7865	SCREW	2		X	M8 X 16
8	H132539	COVER	1		X	
9	14M7298	FLANGE NUT	2		X	M8
10	H130349	COVER	2		X	
11	SEAL	2		X	(CUT FROM AH133091)
12	SEAL	2		X	(CUT FROM AH133091)
13	H89544	DOOR	4		X	
14	24M7178	WASHER	10		X	10.500 X 30 X 2.500 MM
15	37M7080	SCREW	10		X	M10 X 30
16	03M7185	BOLT	4		X	M8 X 25
17	P47159	CLAMP	4		X	
18	14M7020	WING NUT	4		X	M8
19	H120379	SPACER	4		X	10.744 X 17.140 X 66 MM (0.423" X 0.675" X 2.598")
20	H132926	PLUG	4		X	
21	H140866	CLAMP	1		X	
22	H160265	REINFORCEMENT	2	19MY97-	X	

7C3

SEPARATOR SHELL

NO. 1 UPRIGHT REINFORCEMENT KIT
 HP4863 -UN-01JAN94

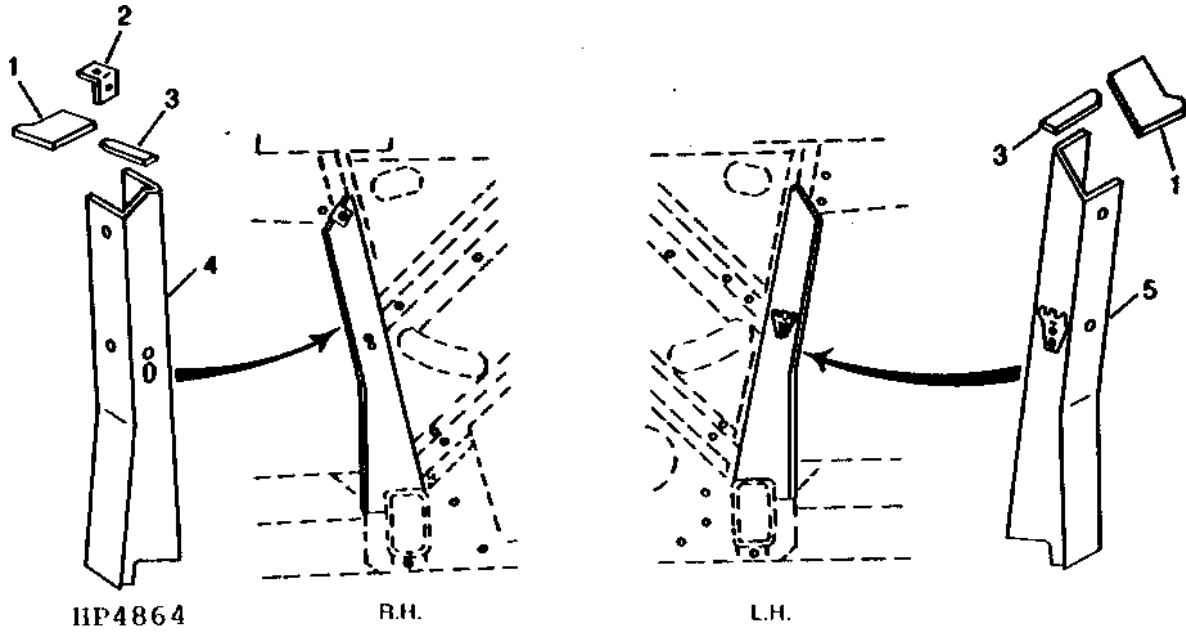


KEY	PART NO.	PART NAME	QTY	SERIAL NO.	S H 9 9 5 5 0 0 0 0	REMARKS
1	AH129452	ECCENTRIC LOCKING COLLAR	1		X X	
2	E10018	PRESSED FLANGED HOUSING	2		X X	
3	AH129451	BALL BEARING	1		X X	
4	H102533	SHIM	1		X X	0.762 MM (0.030")
5	BRACKET	1		X X	
6	ANGLE	2		X X	
7	PLATE	1		X X	R.H.
8	PLATE	1		X X	L.H.
..	AH140312	KIT	1		X X	NO. 1 UPRIGHT (CONTAINS KEYS 1-8 AND INSTRUCTION SHEET)

7C4

SEPARATOR SHELL

NO. 5 UPRIGHT REINFORCEMENT KIT
 HP4864 -UN-01JAN94



KEY	PART NO.	PART NAME	QTY	SERIAL NO.	REMARKS
1	PLATE	2	X	
2	H145700	ANGLE	1	X	
3	H146057	REINFORCEMENT	2	X	
4	AH139570	REINFORCEMENT	1	X	R.H.
5	AH139571	REINFORCEMENT	1	X	L.H.
..	AH140427	KIT	1	X	NO. 5 UPRIGHT (CONTAINS KEYS 1-5 AND INSTRUCTION SHEET)

S
 H
 9 9
 5 5
 0 0
 0 0

7C6

SEPARATOR SHELL

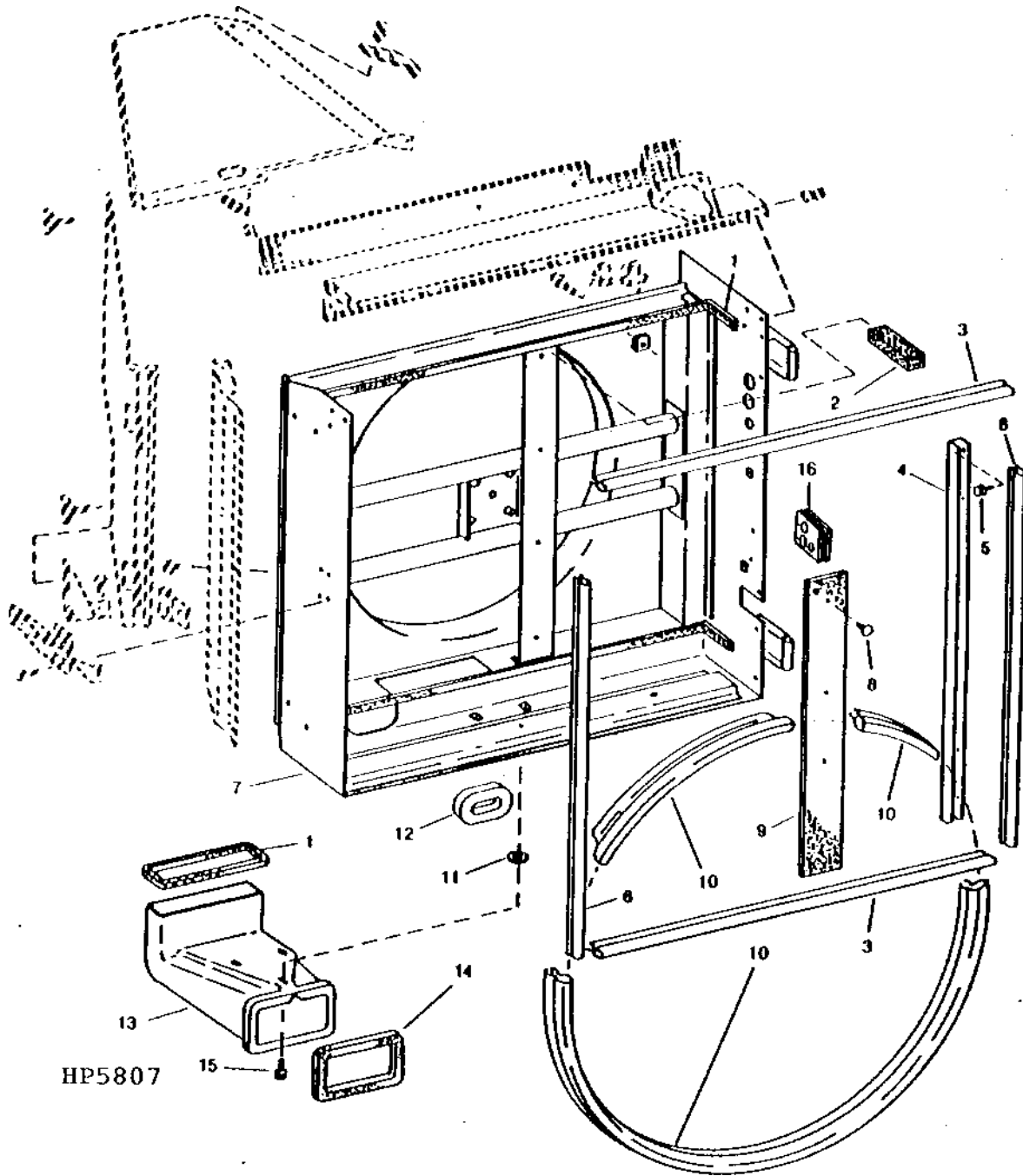
ENGINE ACCESS DOOR, HANDRAILS, AND RADIATOR DOOR - CONTINUED

KEY	PART NO.	PART NAME	QTY	SERIAL NO.	REMARKS
					S H 9 9 5 5 0 0 0 0
1	AH136163	DOOR	1	X X	(SUB FOR AH126013)
2	AH126015	PANEL	1	X X	
3	AH126016	HANDRAIL	1	X X	
4	19M7785	SCREW	6	X X	M10 X 25
	14M7296	FLANGE NUT	6	X X	M10
5	AH125686	HANDRAIL	1	X X	
6	19M7785	SCREW	AR	X X	M10 X 25
7	19M7784	SCREW	2	X X	M10 X 20
	14M7296	FLANGE NUT	2	X X	M10
8	53M7003	SCREW	1	X X	M8 X 25
	E64256	LOCK NUT	1	X X	M8
9	24M7178	WASHER	1	X X	10.500 X 30 X 2.500 MM
10	H132511	STOP	1	X X	
11	14M7273	NUT	2	X X	M8
12	24M7207	WASHER	2	X X	8.400 X 24 X 2 MM
13	19M8319	SCREW	1	X X	M8 X 50
14	H134072	ANGLE	1	X X	
15	H134073	STOP	1	X X	
16	19M7866	SCREW	4	X X	M8 X 20
	14M7298	FLANGE NUT	4	X X	M8
17	03M7185	BOLT	4	X X	M8 X 25
	24M7207	WASHER	4	X X	8.400 X 24 X 2 MM
	14M7298	FLANGE NUT	4	X X	M8
18	H130246	HINGE	2	X X	
19	AH125575	PLATE	2	X X	
20	03M7184	BOLT	7	X X	M8 X 20
	14M7298	FLANGE NUT	7	X X	M8
21	11M7012	COTTER PIN	2	X X	3.200 X 16 MM
22A	AH133830	DOOR	1	X X	(SUB AH168934) (SUB FOR AH125574)
22B	AH168934	DOOR	1	X X	
23	H133042	PIN	1	X X	
24	24M7180	WASHER	2	X X	13 X 37 X 3 MM
25	14M7299	FLANGE NUT	2	X X	M12
26	19M7784	SCREW	1	X X	M10 X 20
	24M7101	WASHER	1	X X	11 X 34 X 3 MM
	14M7296	FLANGE NUT	1	X X	M10
27	19M7866	SCREW	3	X X	M8 X 20
28	H130967	REINFORCEMENT	1	X X	
29	Z39238	FOAM PAD	2	X X	
30	19M7865	SCREW	4	X X	M8 X 16
	14M7298	FLANGE NUT	4	X X	M8
31	19M7784	SCREW	2	X X	M10 X 20
	14M7296	FLANGE NUT	2	X X	M10
32	H132793	STRAP	AR	X X	
33	H132992	PLATE	2	X X	
34	H134403	REINFORCEMENT	1	X X	
35	H130968	ANGLE	3	X X	
36	14M7296	FLANGE NUT	2	X X	M10
37	03M7307	BOLT	2	X X	M10 X 25

7C7

SEPARATOR SHELL

RADIATOR SHELL AND SEALS
HP5807 -UN-01JAN94



7C8

SEPARATOR SHELL

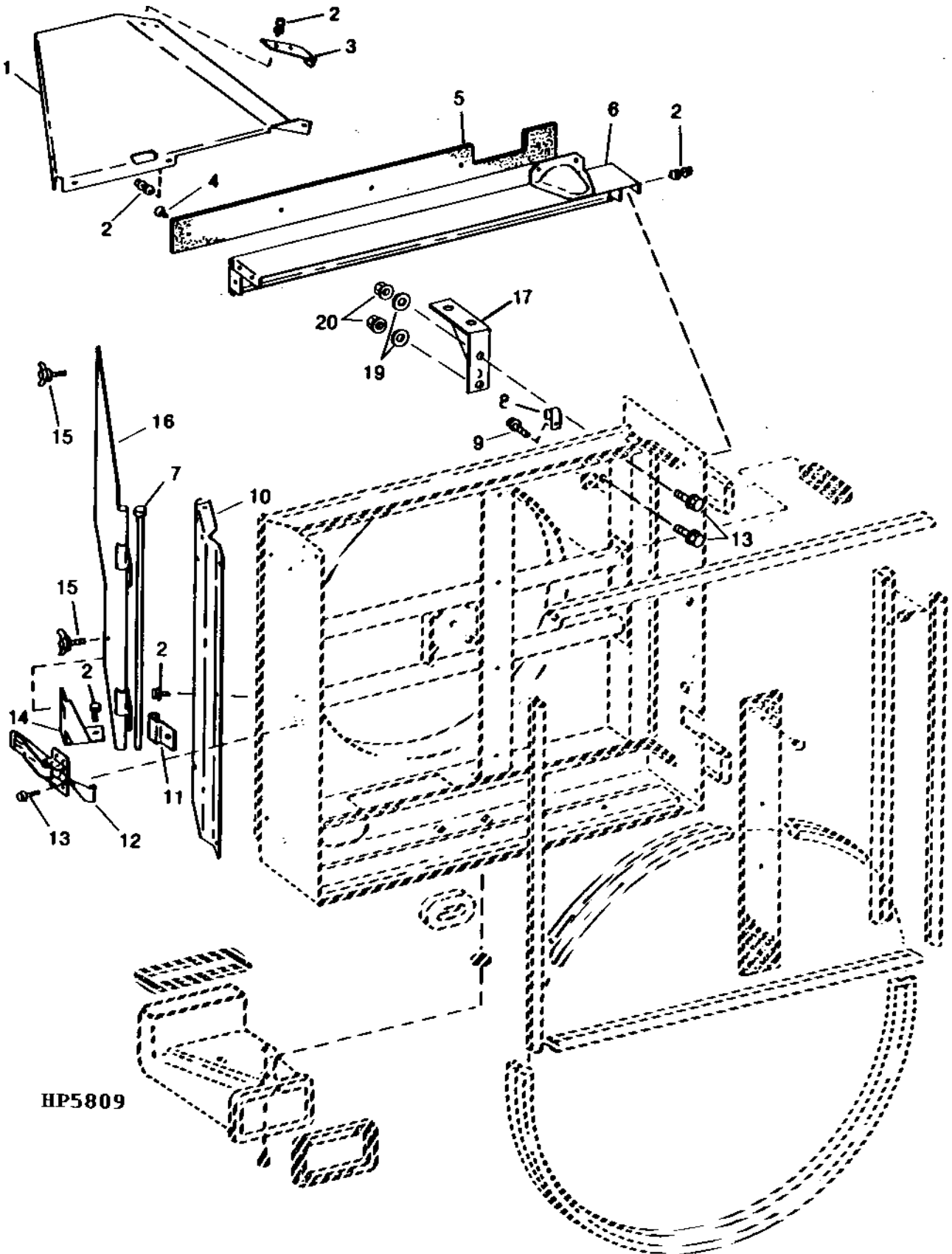
RADIATOR SHELL AND SEALS - CONTINUED

KEY	PART NO.	PART NAME	QTY	SERIAL NO.	S H 9 5 0 0	REMARKS
1	SEAL	4		X X	(CUT FROM H88769) CUT TO LENGTH; TWO PIECES AT 1440 MM, ONE PIECE AT 135MM, AND ONE PIECE AT 765MM
2	H88769	ISOLATOR	1		X X	CUT TO LENGTH
3	AH139256	ACOUSTICAL UPHOLSTERY	2		X	(SUB FOR AH130548) 1116 MM LONG
4	H146260	CHANNEL	1		X X	(SUB FOR H134530)
5	19M7865	SCREW	1		X X	M8 X 16
	14M7298	FLANGE NUT	1		X X	M8
	24M7207	WASHER	2	655201-	X X	8.400 X 24 X 2 MM (0.331" X 0.945" X 0.079")
6	ISOLATOR	2		X X	1037MM, (CUT FROM AH130548)
7	AH130510	FRAME	1	-641153	X	(SUB AH139886)
	AH139886	FRAME	1		X X	
	AH140599	FRAME	1	640201-	X X	
	AH140553	FRAME	1	650201-665200	X X	
	AH145233	FRAME	1	665201-	X X	
8	H116740	PLUG	9		X X	
9	H134520	SEAL	1		X X	
10	AH140967	ACOUSTICAL UPHOLSTERY	2		X X	(SUB FOR AH139256)
11	24M7207	WASHER	6	-637768	X	8.400 X 24 X 2 MM
	24M7207	WASHER	3	637769-	X X	8.400 X 24 X 2 MM
12	H128502	SEAL	1		X X	
13	H143465	AIR DUCT	1		X X	(SUB FOR H123650)
14	AH131965	ISOLATOR	1		X X	
15	19M7865	SCREW	1		X X	M8 X 16
16	R71351	GROMMET	1	650201-	X X	
	R62356	GROMMET	1	650201-670697	X X	
	R66718	GROMMET	1	650201-	X X	
	H161876	GROMMET	1	670698-	X X	

7C9

SEPARATOR SHELL

RADIATOR SHELL AND SEALS
HP5809 -UN-20OCT94



7C10

SEPARATOR SHELL

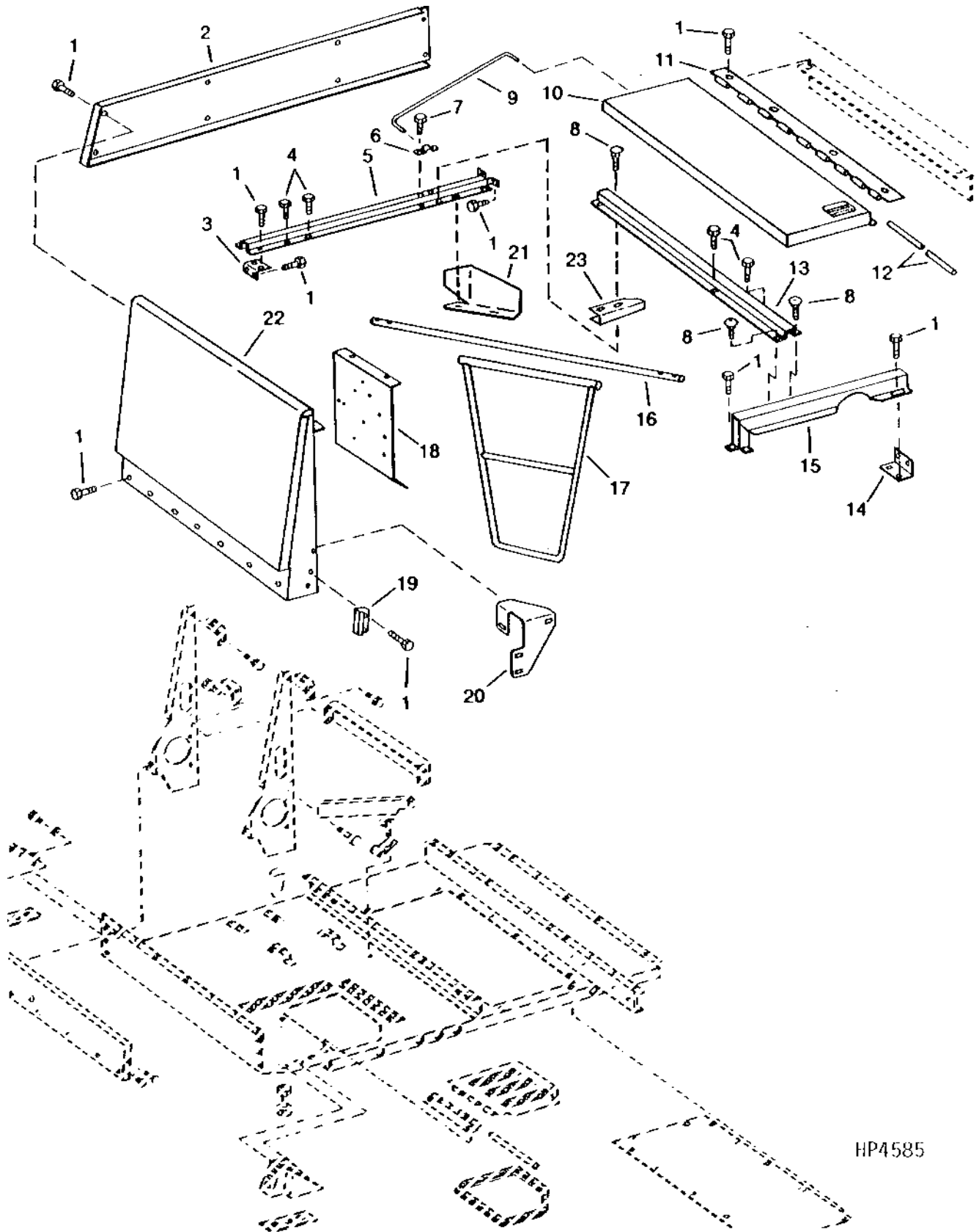
RADIATOR SHELL AND SEALS - CONTINUED

KEY	PART NO.	PART NAME	QTY	SERIAL NO.	S H 9 5 0 0	REMARKS
1	AH160086	SHEET	1	670962-	X X	(SUB FOR AH154237 OR AH130954)
2	19M7865	SCREW	AR		X X	M8 X 16
	14M7298	FLANGE NUT	AR		X X	M8
3	H167159	BRACKET	1		X X	(SUB FOR H134910)
4	H116740	PLUG	9	-647157	X X	
5	H146765	BARRIER	2	-662172	X X	(SUB FOR H134525)
	H154195	SEAL	1	662173-	X X	
6	AH130515	CHANNEL	1		X X	
	AH138212	CHANNEL	1	640201-641169	X	(SUB AH139255)
	AH139255	CHANNEL	1	641170-	X	
	AH139384	CHANNEL	1	650245-	X	USE WITH AH128257 RADIATOR
	AH133226	CHANNEL	1	656270-	X X	USE WITH AH144719 RADIATOR
7	H134917	PIN	1		X X	8 X 775 MM (0.315" X 30.512")
8	AH89557	CLIP	1		X X	
9	19M7865	SCREW	1		X X	M8 X 16
10	H134527	SHEET	1		X X	
11	H134913	HINGE	2		X X	
12	AH87272	LATCH	1		X X	
13	37M7060	SCREW	AR		X X	M4 X 10
14	AH131301	BRACKET	1		X X	
15	21M7243	WING SCREW	2		X X	M8 X 16
16	H134915	DOOR	1		X X	
17	H162138	BRACKET	1		X X	(SUB FOR H146680)
18	19M7865	SCREW	2		X X	M8 X 16
19	24M7207	WASHER	2		X X	8.400 X 24 X 2 MM
20	14M7298	FLANGE NUT	2		X X	M8

7C11

SEPARATOR SHELL

ENGINE COMPARTMENT
(-640200)
HP4585 -UN-01JAN94



HP4585

7C12

SEPARATOR SHELL

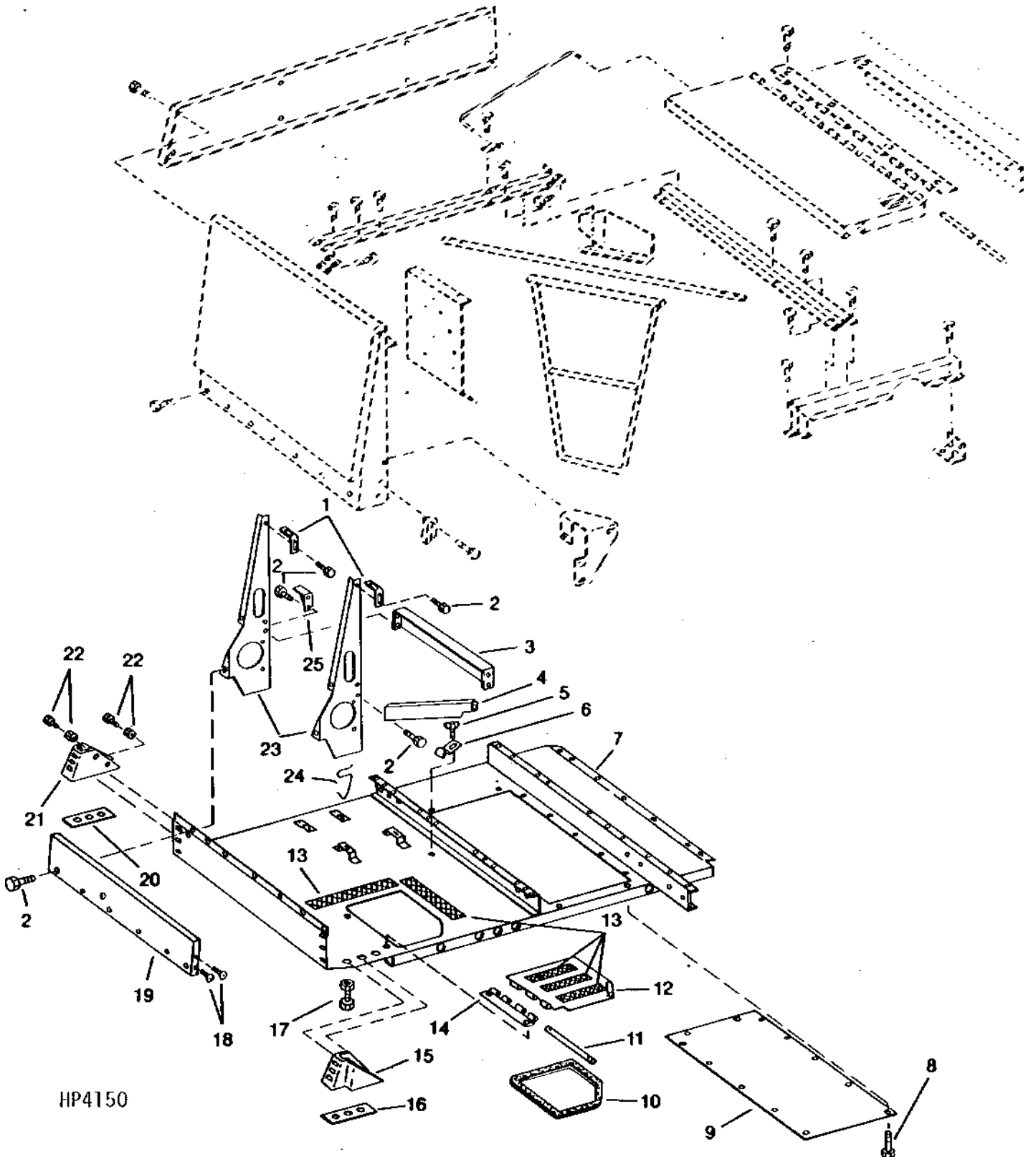
ENGINE COMPARTMENT - CONTINUED
(-640200)

KEY	PART NO.	PART NAME	QTY	SERIAL NO.	S H 9 9 5 5 0 0 0 0	REMARKS
1	19M7865	SCREW	110		X X	M8 X 16
	14M7298	FLANGE NUT	110		X X	M8
2	H134106	PANEL	1		X X	
3	H128744	ANGLE	1		X X	
4	19M8290	SCREW	4		X X	M6 X 35
	14M7397	LOCK NUT	4		X X	M6
5	AH129195	CHANNEL	1		X X	
6	H99600	CLAMP	1		X X	
7	19M7774	SCREW	1		X X	M6 X 12
	14M7272	NUT	1		X X	M6
8	03M7183	BOLT	1		X X	M8 X 16
	14M7298	FLANGE NUT	1		X X	M8
9	H136591	ROD	1		X X	
10	AH136455	DOOR	1		X X	(SUB FOR AH130951)
11	H134738	HINGE	1		X X	
12	H134930	PIN	1		X X	(MAKE FROM H99599) 1165MM
13	AH129196	CHANNEL	1		X X	
14	H128744	ANGLE	1		X X	
15	AH129194	CHANNEL	1		X	
16	H155112	TUBE	1		X X	(SUB FOR H135147)
17	AH129228	LADDER	1		X X	
18	AH130497	PLATE	1		X X	
19	H134073	STOP	1		X X	
20	H137267	REINFORCEMENT	1		X X	
21	H135610	DEFLECTOR	1		X	
22	AH136046	PANEL	1		X X	(SUB FOR AH130172)
23	H143529	CHANNEL	1		X	

7C13

SEPARATOR SHELL

ENGINE COMPARTMENT
(-640200)
HP4150 -UN-01JAN94



HP4150

7C14

SEPARATOR SHELL

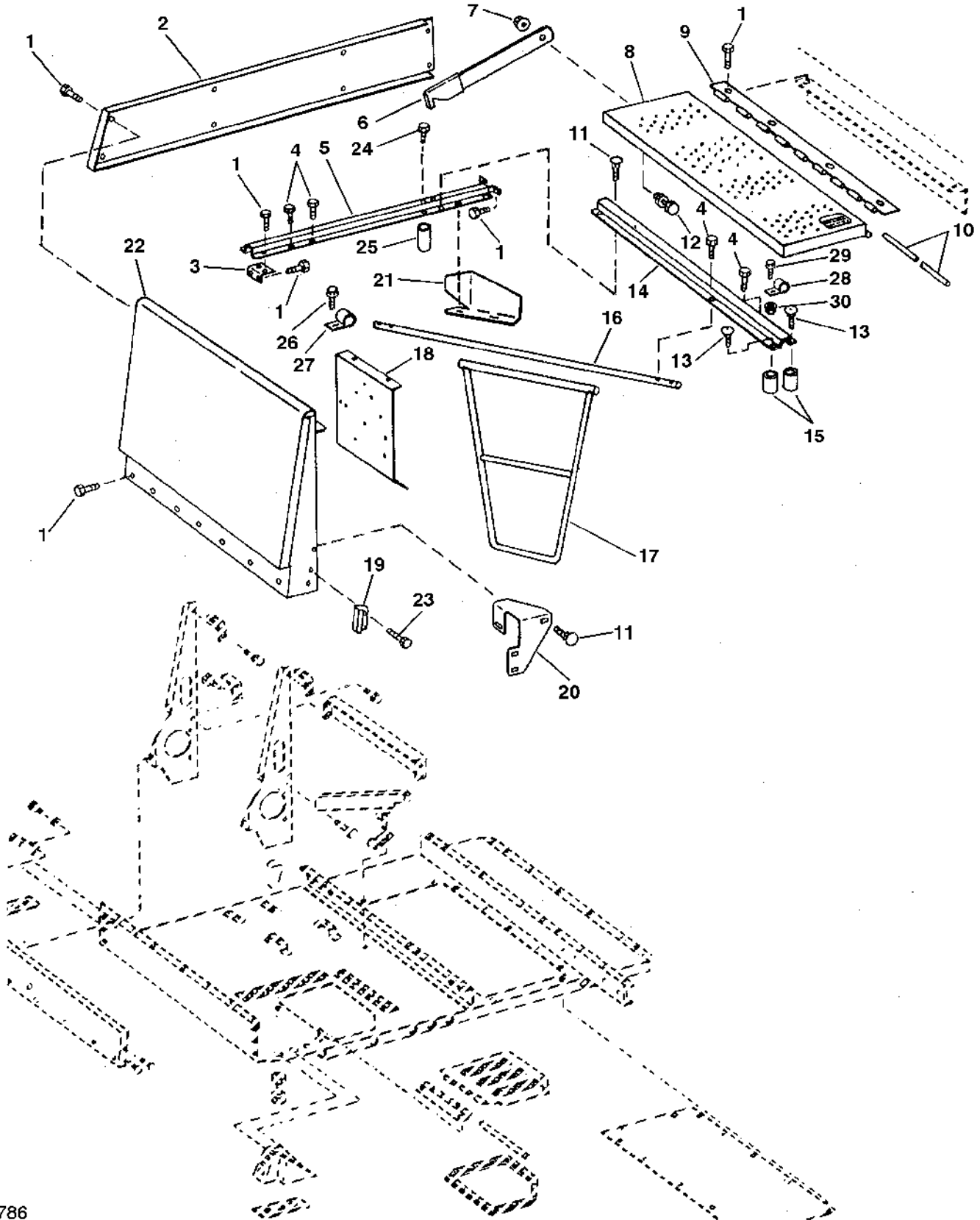
ENGINE COMPARTMENT - CONTINUED
(-640200)

KEY	PART NO.	PART NAME	QTY	SERIAL NO.	S H 9 5 0 0 0 0	REMARKS
1	H131526	ANGLE	2		X X	
2	19M7865	SCREW	1		X X	M8 X 16
	14M7298	FLANGE NUT	1		X X	M8
3	H134102	CHANNEL	1		X X	
4	H134108	GUSSET	1		X X	
5	19M7865	SCREW	1		X X	M8 X 16
6	H135148	HALF CLAMP	1		X X	
7	AH135929	FRAME	1		X X	(SUB FOR AH130463)
8	37M7092	SCREW	16	-640200	X	M8 X 16
	37M7058	SCREW	16	640201-	X X	M8 X 20
9	H150317	SHEET	1		X X	(SUB FOR H127097)
10	AH122244	ISOLATOR	1		X X	
11	H130057	PIN	1		X X	12 X 1 660 MM (0.472" X 65.354") (SUB FOR H134464)
12	AH130506	DOOR	1		X X	
13	H131743	MAT	2		X X	
14	H134506	HINGE	1		X X	
15	H165585	SUPPORT	1		X X	(SUB FOR H137261) R.H.
16	H135393	STRAP	1		X X	
17	19M7805	SCREW	4		X X	M10 X 45
	19M7786	SCREW	2		X X	M10 X 30
	14M7296	FLANGE NUT	6		X X	M10
18	03M7183	BOLT	2		X X	
19	AH136047	PANEL	1		X X	(SUB FOR AH130177)
20	H135392	STRAP	1		X X	
21	H165587	SUPPORT	1		X X	(SUB FOR H140225)
22	19M7866	SCREW	2		X X	
	14M7298	FLANGE NUT	2		X X	
23	H134107	GUSSET	1		X X	
24	H135245	HOOK	1		X X	
25	H134105	GUSSET	1		X X	

7C15

SEPARATOR SHELL

ENGINE COMPARTMENT
(640201-)
HP6786 -UN-18AUG97



HP6786

7C16

SEPARATOR SHELL

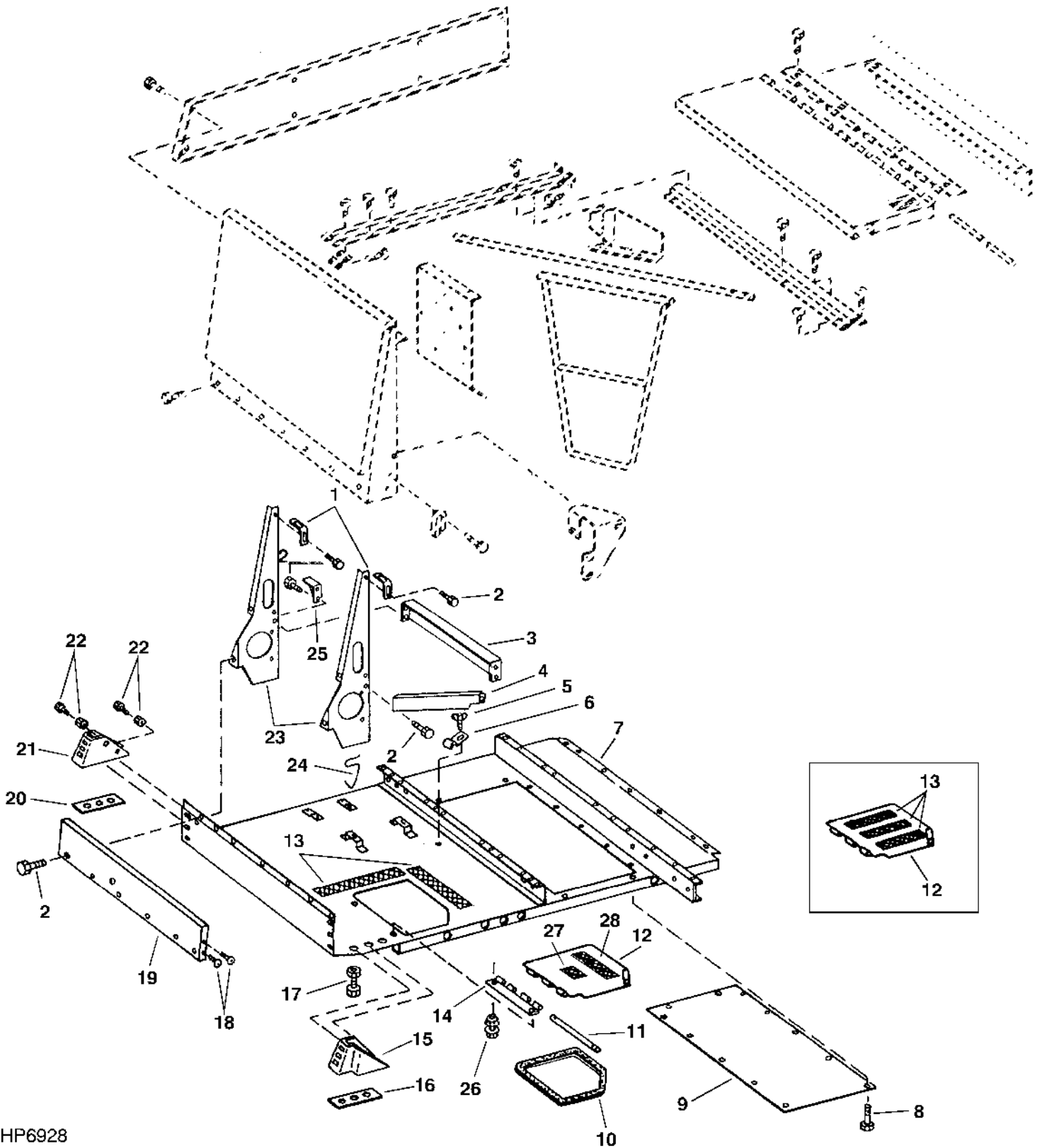
ENGINE COMPARTMENT - CONTINUED
(640201-)

KEY	PART NO.	PART NAME	QTY	SERIAL NO.	S H 9 5 0 0 0 0	REMARKS
1	19M7865	SCREW	110		X X	M8 X 16
	14M7298	FLANGE NUT	110		X X	M8
2	H134106	PANEL	1		X X	L.H.
3	H128744	ANGLE	1		X X	
4	19M8290	SCREW	4		X X	M6 X 35
	14M7397	LOCK NUT	4		X X	M6
5	AH129195	CHANNEL	1		X X	L.H.
6	AH136616	BRACE	1		X X	
7	14M7396	LOCK NUT	1		X X	M8
8	AH136455	DOOR	1		X X	
9	H134738	HINGE	1		X X	
10	H134930	PIN	1		X X	1165MM, (MAKE FROM H99599)
11	03M7183	BOLT	1		X X	M8 X 16
	14M7298	FLANGE NUT	1		X X	M8
12	19M7868	SCREW	1		X X	M8 X 30
	14M7273	NUT	1		X X	M8
13	37M7102	SCREW	2		X X	M8 X 40
14	H159733	CHANNEL	1	670850-	X X	(SUB FOR AH136504 OR AH152323)
15	H141836	BUSHING	2		X X	12.522 X 17.145 X 25.400 MM (0.493" X 0.675" X 1")
16	H135147	TUBE	1	-665977	X X	
	H155112	TUBE	1	665978-	X X	
17	AH129228	LADDER	1		X X	
18	AH130497	PLATE	1		X X	
19	H134073	STOP	1		X X	
20	H137267	REINFORCEMENT	1		X X	REAR WALL
21	H135610	DEFLECTOR	1		X X	
22	AH136046	PANEL	1		X X	UPPER REAR
23	19M7866	SCREW	2	-665540	X X	M8 X 20
	19M7866	SCREW	1	666723-	X X	M8 X 20
	14M7298	FLANGE NUT	1		X X	M8
24	19M8318	SCREW	1		X X	M8 X 45
25	28H1633	BUSHING	1		X X	9.246 X 13.716 X 39.675 MM (0.364" X 0.540" X 1-9/16")
26	19M7865	SCREW	1		X X	M8 X 16
27	H136577	CLAMP	1		X X	
28	AH117301	CLAMP	3		X	
29	19M7865	SCREW	3		X	M8 X 16
30	14M7298	FLANGE NUT	3		X	M8

7C17

SEPARATOR SHELL

ENGINE COMPARTMENT
(640201-)
HP6928 -UN-29AUG97



HP6928

7C18

SEPARATOR SHELL

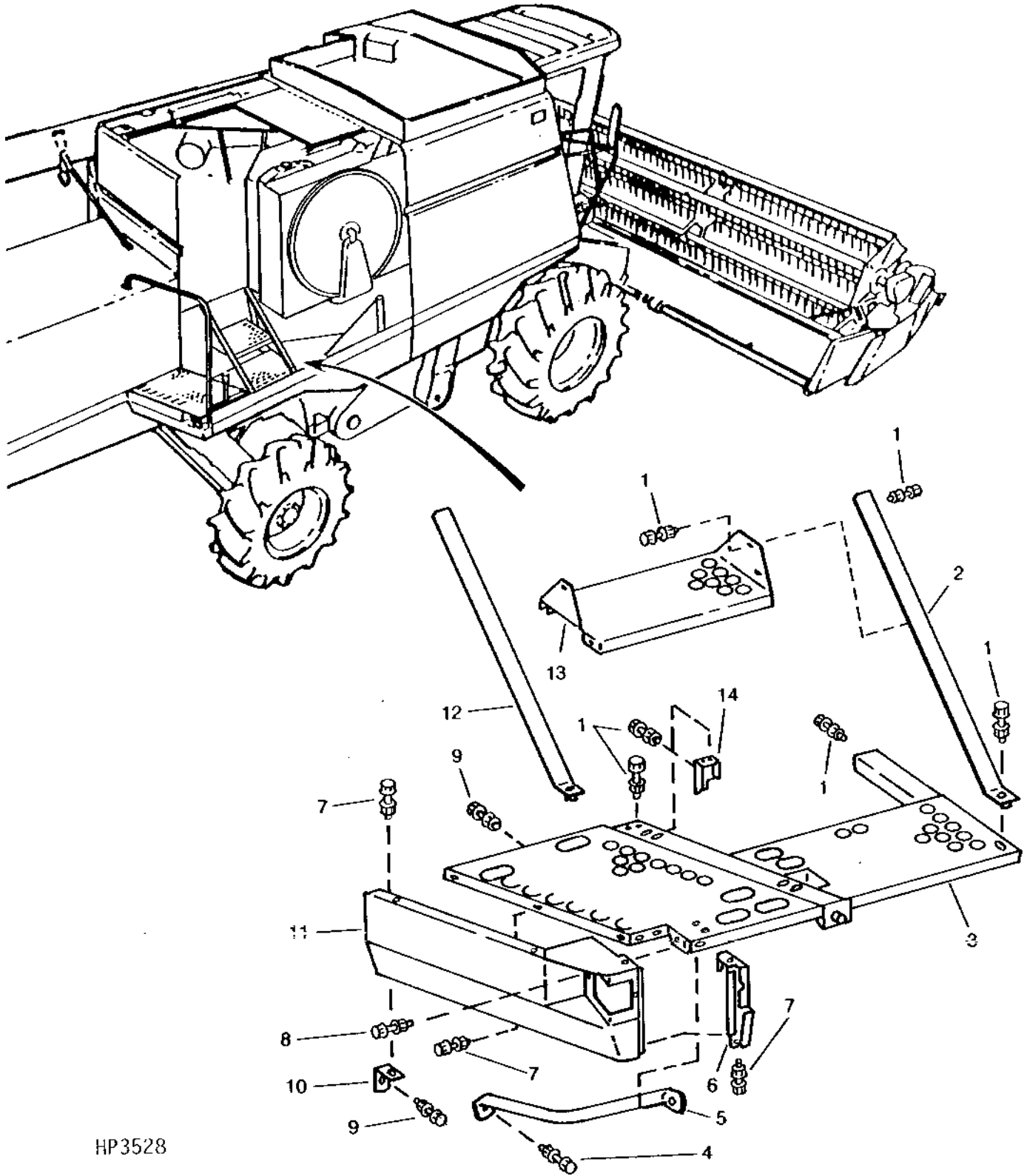
ENGINE COMPARTMENT - CONTINUED
(640201-)

KEY	PART NO.	PART NAME	QTY	SERIAL NO.	S H 9 5 0 0 0 0	REMARKS
1	H131526	ANGLE	2		X X	
2	19M7865	SCREW	7		X X	M8 X 16
	14M7298	FLANGE NUT	7		X X	M8
	14M7298	FLANGE NUT	2		X X	M8
3	H134102	CHANNEL	1		X X	
4	H134108	GUSSET	1		X X	
5	21M7243	WING SCREW	1		X X	M8 X 16
6	H135148	HALF CLAMP	1		X X	
7	AH164364	FRAME	1		X X	(SUB FOR AH135929, AH147479, AH149859 OR AH154875)
8	37M7058	SCREW	16		X X	M8 X 20
9	H150317	SHEET	1		X X	(SUB FOR H127097)
10	AH122244	ISOLATOR	1		X X	
11	H130057	PIN	1		X X	12 X 1 660 MM (0.472" X 65.354") (SUB FOR H134464)
12	AH130506	DOOR	1		X X	
13	H131743	MAT	2		X X	
14	H134506	HINGE	1		X X	
15	H165585	SUPPORT	1		X X	(SUB FOR H137261) R.H.
16	H135393	STRAP	1		X X	
17	19M7805	SCREW	4		X X	M10 X 45
	14M7296	FLANGE NUT	4		X X	M10
18	03M7183	BOLT	2		X X	M8 X 16
19	AH136047	PANEL	1		X X	LOWER REAR
20	H135392	STRAP	1		X X	
21	H165587	SUPPORT	1		X X	(SUB FOR H140225) L.H.
22	19M7866	SCREW	2		X X	M8 X 20
	14M7298	FLANGE NUT	2		X X	M8
23	H134107	GUSSET	1		X X	
24	H135245	HOOK	1		X X	
25	H134105	GUSSET	1		X X	
26	19M7867	SCREW	2		X X	M8 X 25
	14M7298	FLANGE NUT	2		X X	M8
27	H136015	MAT	1	28APR7-	X X	
28	H136014	MAT	1	28APR7-	X X	

7C19

SEPARATOR SHELL

ENGINE ACCESS PLATFORM AND STEP
HP3528 -UN-01JAN94



HP3528

7C20

SEPARATOR SHELL

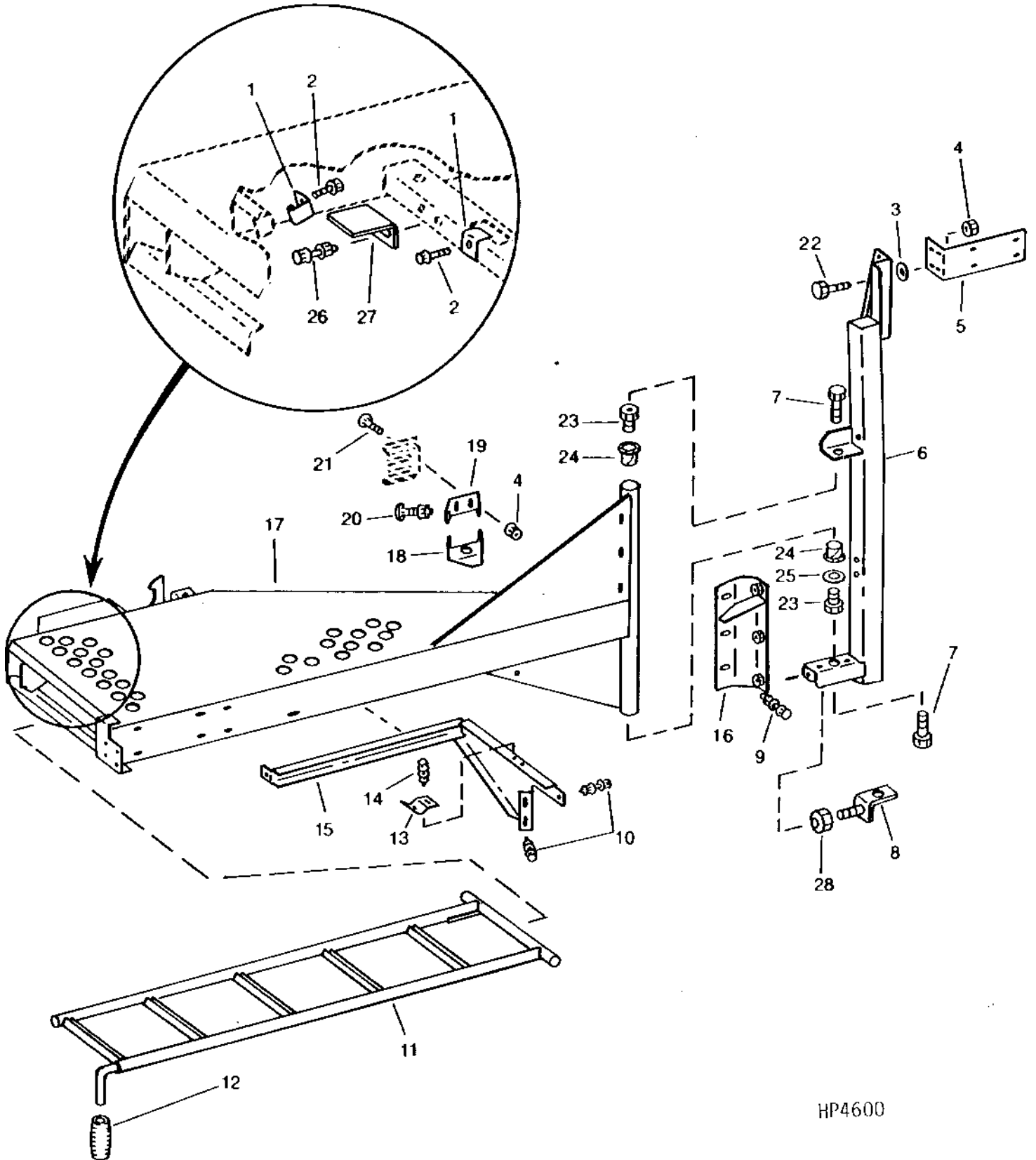
ENGINE ACCESS PLATFORM AND STEP - CONTINUED

KEY	PART NO.	PART NAME	QTY	SERIAL NO.	REMARKS
					S
					H
					9 9
					5 5
					0 0
					0 0
1	19M7784	SCREW	16	X X	M10 X 20
	14M7296	FLANGE NUT	16	X X	M10
2	H130424	ANGLE	1	X X	
3	AH156187	PLATFORM	1	X	(SUB FOR AH125684 OR AH137935)
	AH156186	PLATFORM	1	X	(SUB FOR AH135299)
4	19M7785	SCREW	1	X X	M10 X 25
	14M7296	FLANGE NUT	1	X X	M10
5	H130432	BRACE	1	X X	
6	H130431	PANEL	1	X X	
7	19M7865	SCREW	7	X X	M8 X 16
	14M7298	FLANGE NUT	7	X X	M8
8	03M7185	BOLT	1	X X	M8 X 25
	14M7298	FLANGE NUT	1	X X	M8
9	19M7866	SCREW	4	X X	M8 X 20
	14M7298	FLANGE NUT	4	X X	M8
10	H131526	ANGLE	1	X X	
11	AH125685	PANEL	1	X X	
12	H130425	ANGLE	1	X X	
13	AH127837	STEP	1	X X	
14	H134081	SUPPORT	1	X X	

7C21

SEPARATOR SHELL

REAR LADDER AND LANDING
HP4600 -UN-01JAN94



HP4600

REAR LADDER AND LANDING - CONTINUED

KEY	PART NO.	PART NAME	QTY	SERIAL NO.	S H 9 5 0 0	REMARKS
1	H130555	STRIP	4		X X	
2	37M7060	SCREW	4		X X	M4 X 10
3	H141123	NUT	5		X X	10 MM (0.394")
4	14M7296	FLANGE NUT	7		X X	M10
5	H129885	ANGLE	1		X X	
6	AH137254	SUPPORT	1		X X	(SUB FOR AH124945)
7	19M7851	SCREW	2		X X	M20 X 60
8	AH120216	ADJUSTER	1		X X	
9	19M7784	SCREW	3		X X	M10 X 20
	14M7296	FLANGE NUT	3		X X	M10
10	19M7865	SCREW	4		X X	M8 X 16
	14M7298	FLANGE NUT	4		X X	M8
11	AH139782	LADDER	1		X	(SUB FOR AH120645)
12	C3203E	GRIP	1		X	
13	H120082	LATCH	1		X X	
14	19M7774	SCREW	2		X X	M6 X 12
	14M7303	FLANGE NUT	2		X X	M6
15	AH130193	CHANNEL	1		X X	
16	AH125788	BRACKET	1		X X	
17	AH136307	PLATFORM	1	-640200	X X	(SUB FOR AH125787)
	AH135298	PLATFORM	1	640201-	X X	
18	H142035	CATCH	1		X X	(SUB FOR H133153)
19	H133152	BRACKET	1		X X	
20	03M7190	BOLT	2		X X	M10 X 20
	24M7178	WASHER	2		X X	10.500 X 30 X 2.500 MM
	14M7296	FLANGE NUT	2		X X	M10
21	03M7190	BOLT	2		X X	M10 X 20
22	19M7785	SCREW	5		X X	M10 X 25
23	H119411	PIN	2		X X	
24	T40867	BUSHING	2		X X	
25	Z39386	WASHER	1		X X	41 X 55 X 2 MM (1.614" X 2.165" X 0.079")
26	19M7775	SCREW	2		X X	M6 X 16
	14M7303	FLANGE NUT	2		X X	M6
27	H129004	ANGLE	1		X X	
28	A31867	LOCK NUT	1		X X	M12

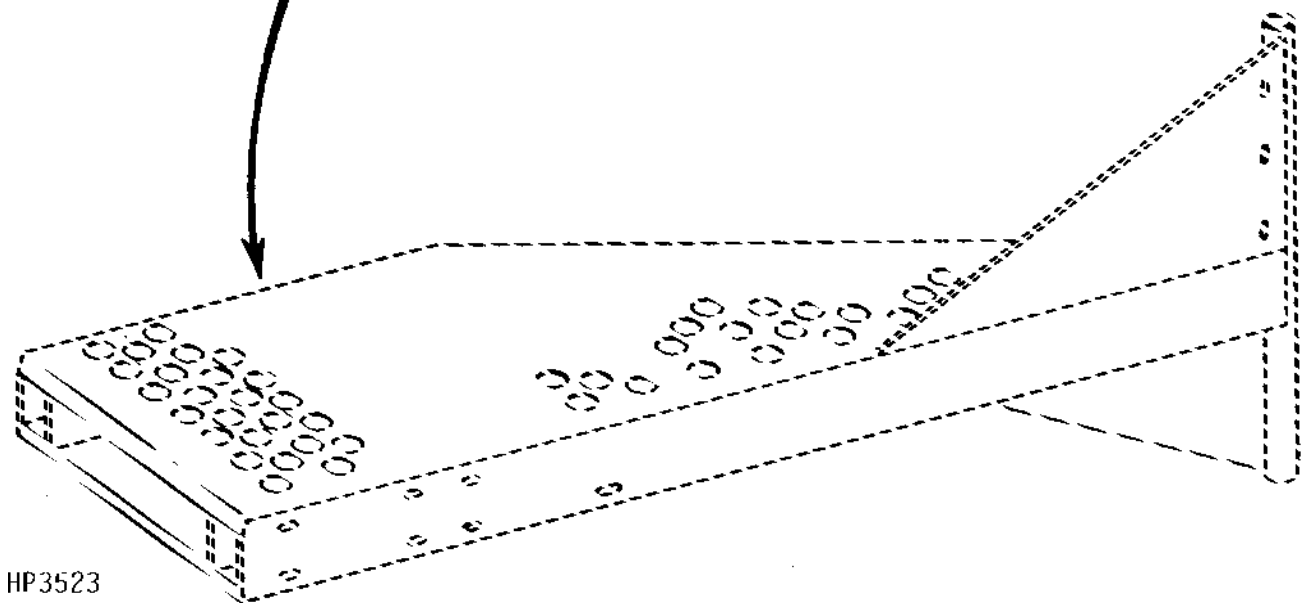
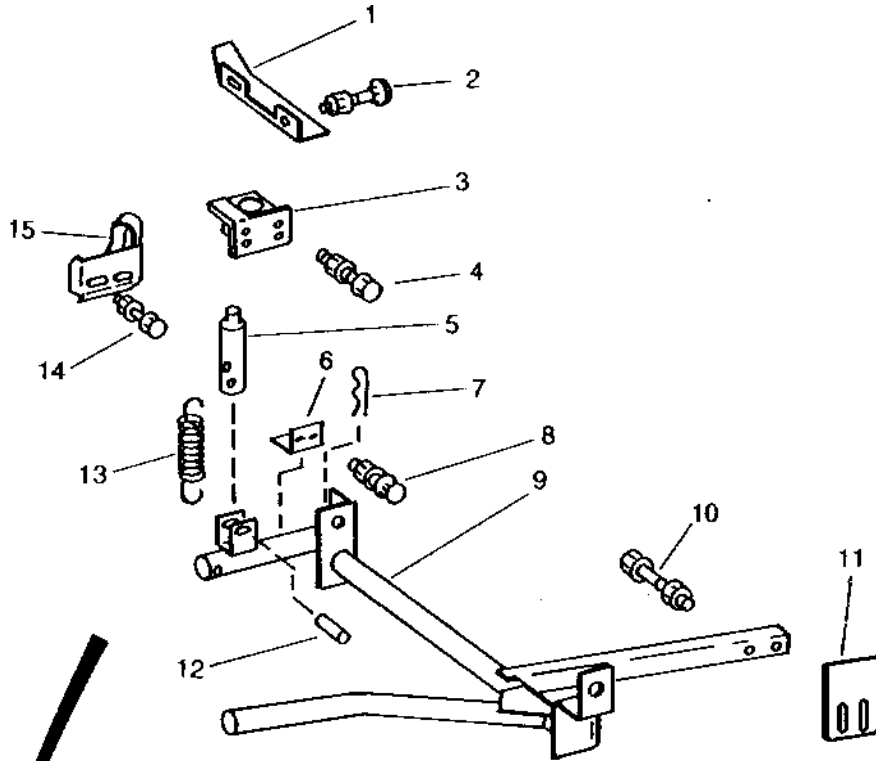
7C23

SEPARATOR SHELL

REAR LADDER LANDING LATCH ARM

(-640200)

HP3523 -UN-01JAN94



HP3523

7C24

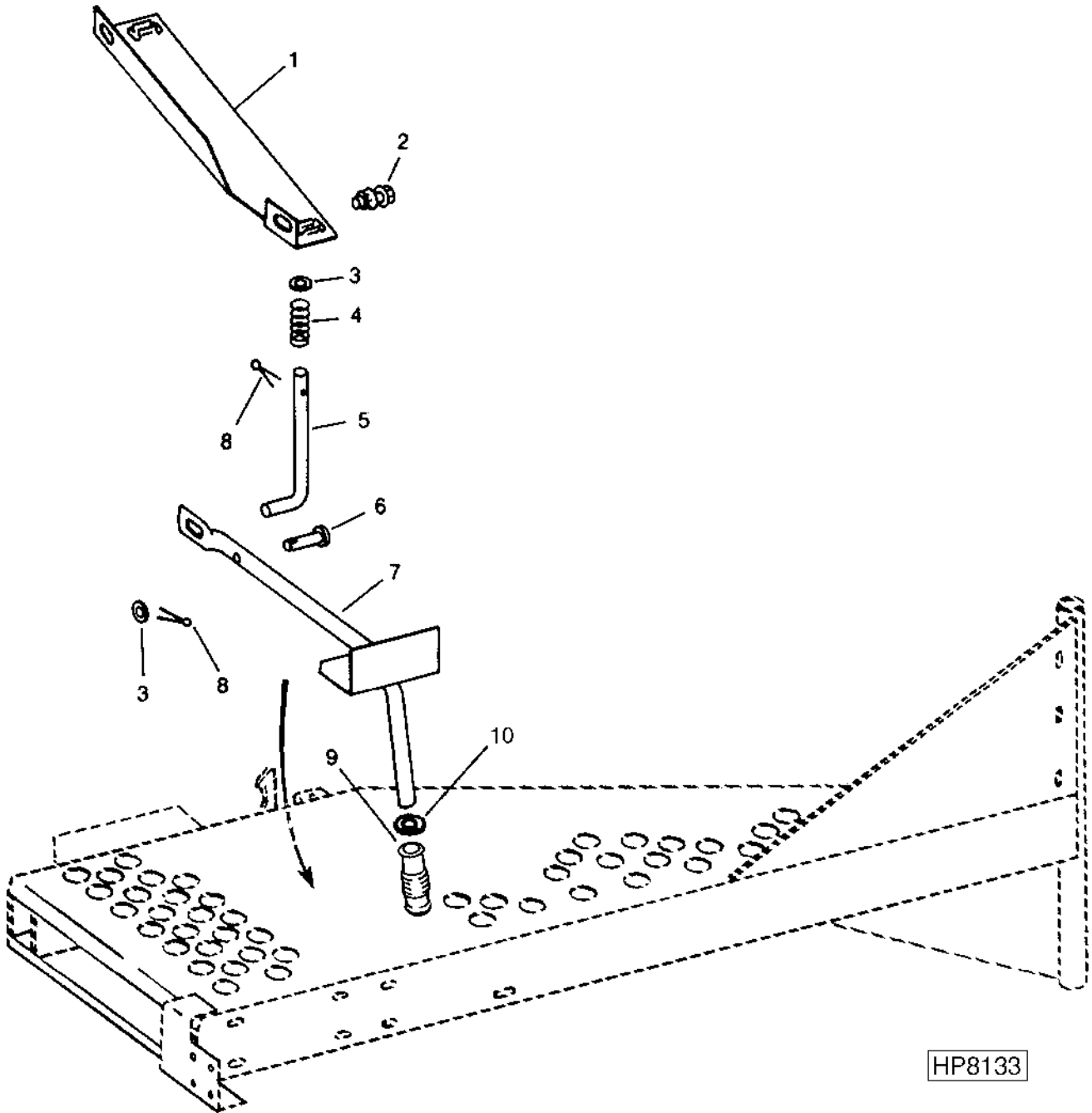
SEPARATOR SHELL

REAR LADDER LANDING LATCH ARM - CONTINUED
(-640200)

KEY	PART NO.	PART NAME	QTY	SERIAL NO.	S H 9 5 0 0 0 0	REMARKS
1	H130615	CATCH	1		X	
2	03M7190	BOLT	2		X	M10 X 20
	14M7296	FLANGE NUT	2		X	M10
3	AH130094	BRACKET	1		X	
4	19M7865	SCREW	4		X	M8 X 16
	14M7298	FLANGE NUT	4		X	M8
5	H129760	PIN	1		X	
6	H129004	ANGLE	1		X	
7	J16931	SPRING LOCKING PIN	2		X	
8	19M7775	SCREW	2		X	M6 X 16
	14M7303	FLANGE NUT	2		X	M6
9	AH134656	ARM	1		X	
10	19M7784	SCREW	2		X	M10 X 20
	24M7178	WASHER	2		X	10.500 X 30 X 2.500 MM
	14M7296	FLANGE NUT	2		X	M10
11	H137458	PLATE	1		X	
12	34M7048	SPRING PIN	1		X	8 X 45 MM
13	H114562	EXTENSION SPRING	1		X	
14	19M7784	SCREW	2		X	M10 X 20
	14M7296	FLANGE NUT	2		X	M10
15	AH128673	SUPPORT	1		X	

REAR LADDER LANDING LATCH ARM

(640201-)
HP8133 -UN-07JAN99



7D2

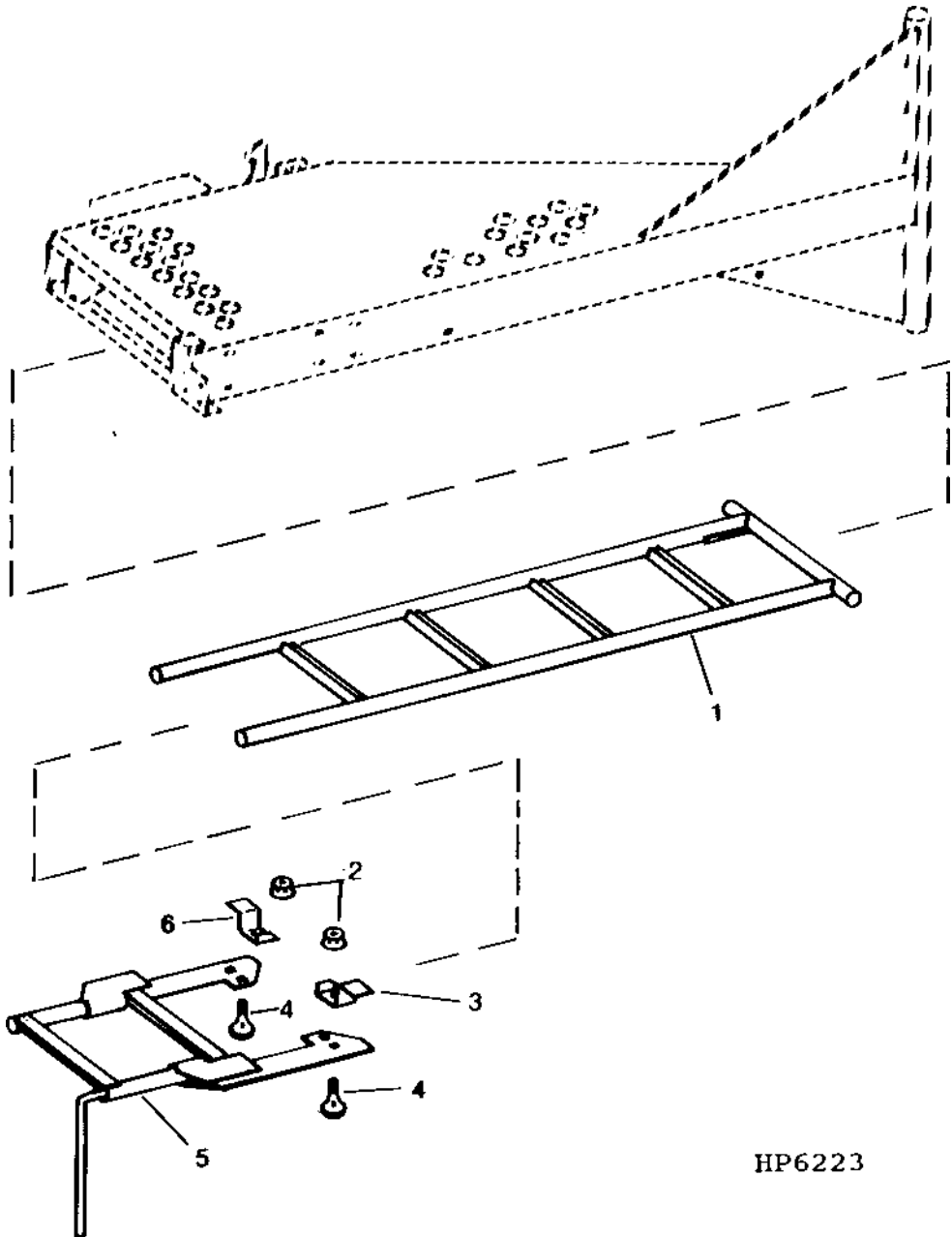
SEPARATOR SHELL

REAR LADDER LANDING LATCH ARM - CONTINUED
(640201-)

KEY	PART NO.	PART NAME	QTY	SERIAL NO.	REMARKS
					S
					H
					9 9
					5 5
					0 0
					0 0
1	H140881	CATCH	1		X X
2	19M7784	SCREW	2		X X M10 X 20
	14M7296	FLANGE NUT	2		X X M10
3	24H1341	WASHER	2		X X 17/32" X 15/16" X 0.060"
4	Y3082BN	SPRING	1		X X
5	H140872	PIN	1		X X
6	45M7088	PIN	1		X X 10 X 55 MM, (SUB FOR 45M7054)
7	AH135300	ARM	1		X
	AH163354	ARM	1		X (SUB FOR AH138890)
8	11M7059	COTTER PIN	2		X X 3.200 X 20 MM
9	B15494	GRIP	1		X
10	24M7240	WASHER	2		X 13 X 25 X 3 MM, (USE WITH AH163354)

7D3

REAR LADDER AND EXTENSION (SIDEHILL)
HP6223 -UN-21DEC95



HP6223

7D4

SEPARATOR SHELL

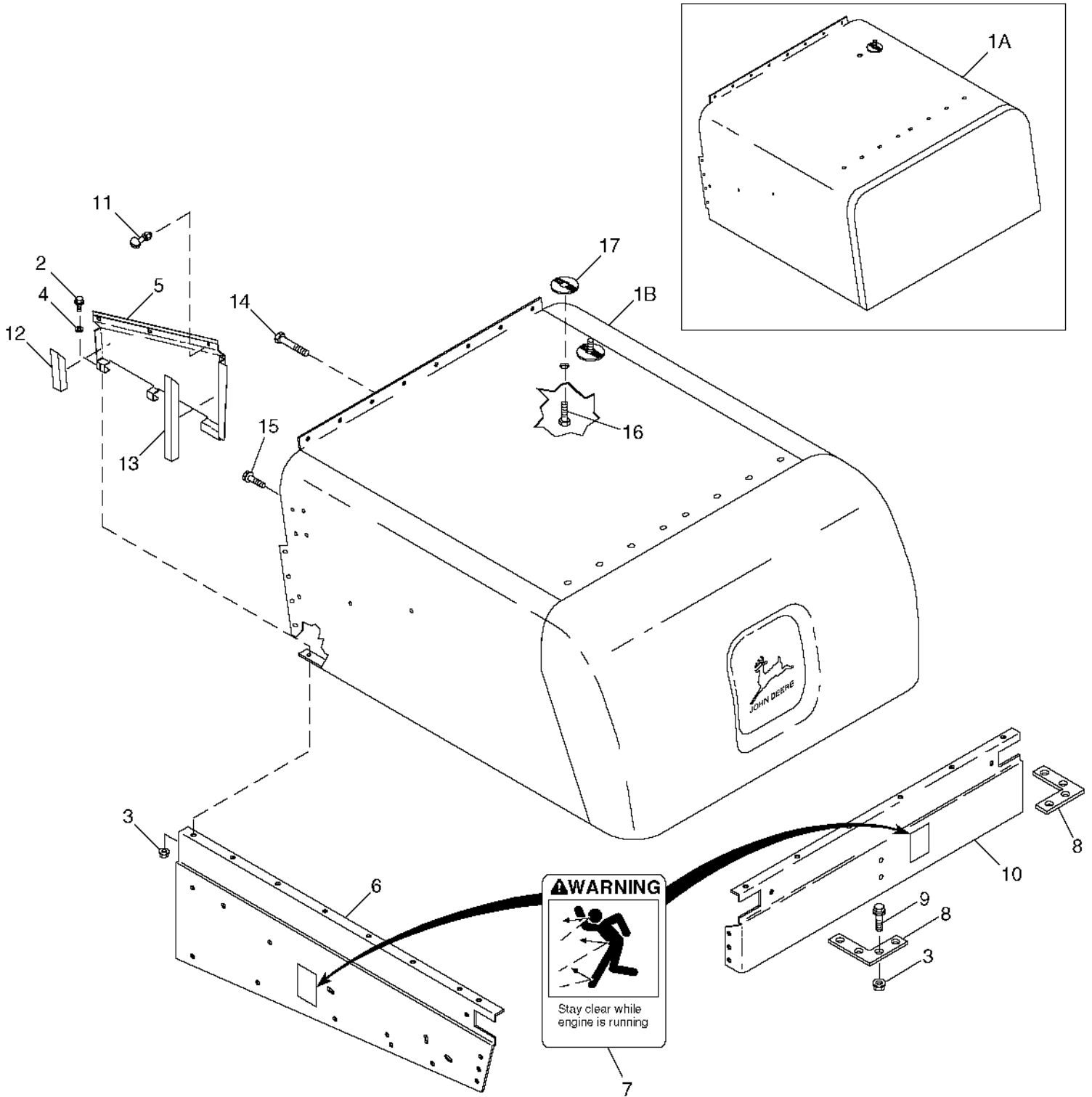
REAR LADDER AND EXTENSION (SIDEHILL) - CONTINUED

KEY	PART NO.	PART NAME	QTY	SERIAL NO.	S H 9 5 0 0	REMARKS
1	AH140111	LADDER	1		X	
2	14M7396	LOCK NUT	4		X	M8
3	H147198	ANGLE	1		X	R.H.
4	03M7184	BOLT	4		X	M8 X 20
5	AH141273	LADDER	1		X	(USE WITH C3203E)
6	H147199	ANGLE	1		X	L.H.

7D5

SEPARATOR SHELL

REAR HOOD
HP9519 -UN-26JAN00



HP9519

7D6

SEPARATOR SHELL

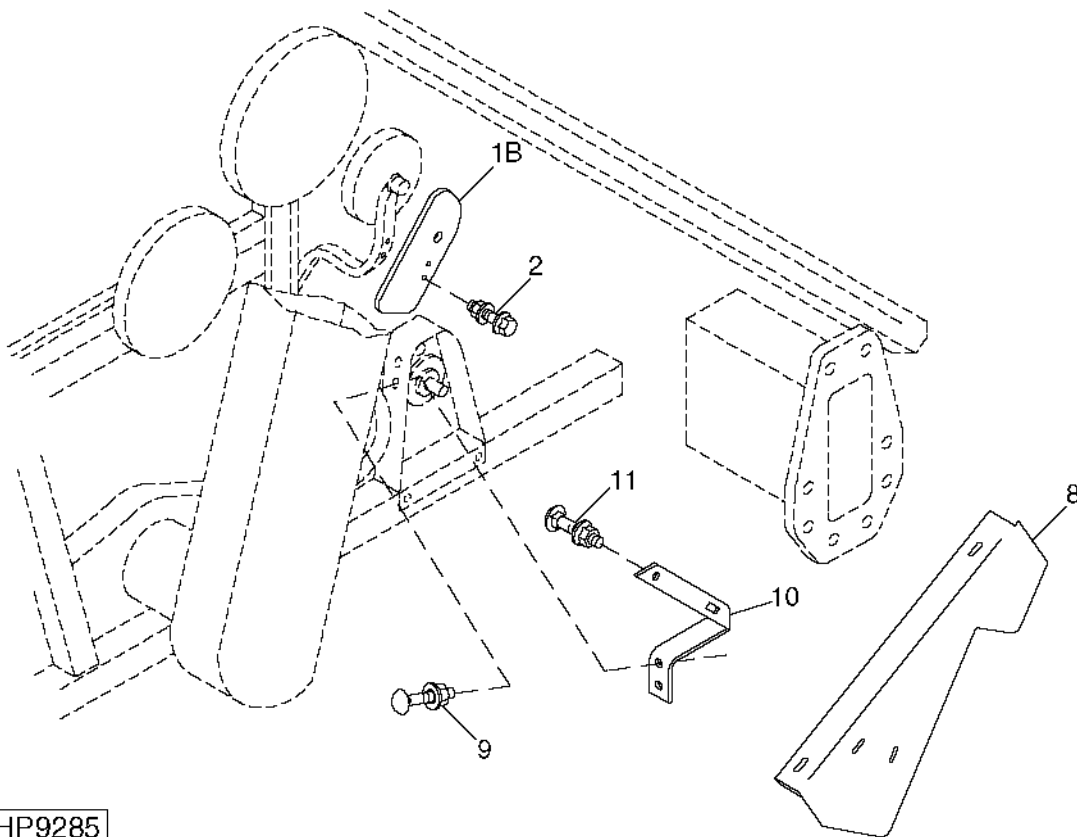
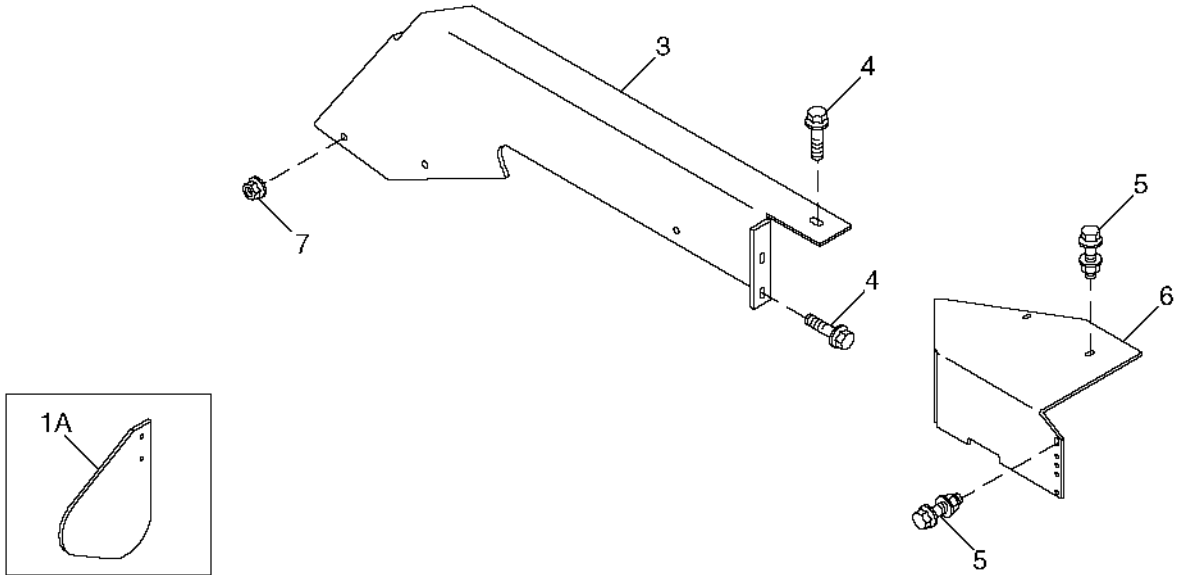
REAR HOOD - CONTINUED

KEY	PART NO.	PART NAME	QTY	SERIAL NO.	S H 9 5 0 0	REMARKS
1A	AH158605	HOOD	1		X X	(SUB FOR AH128696, AH142010 OR AH156189) (SUB AH159862)
1B	AH159862	HOOD	1		X X	(SUB FOR AH158605)
2	19M7866	SCREW	AR		X X	M8 X 20
3	14M7298	FLANGE NUT	AR		X X	M8
4	24M7207	WASHER	4		X X	8.400 X 24 X 2 MM
5	AH126839	PANEL	1	-656102	X X	L.H.
	AH144854	PANEL	1	656103-	X X	
	AH126838	PANEL	1	-656102	X X	R.H.
	AH158849	PANEL	1	656103-	X X	(SUB FOR AH144855)
6	AH125585	SHEET	1	-640200	X	L.H.- INCLUDES MOUNTED DECAL H138989
	AH135477	SHEET	1	640201-	X X	
	AH125584	SHEET	1	-640200	X	R.H.- INCLUDES MOUNTED DECAL H138989
	AH135476	SHEET	1	640201-	X X	
7	H149096	LABEL	2	-670491	X X	(SUB FOR H138989) "PROJECTILE WARNING"
	Z60329	LABEL	1	670492-	X X	
8	H150749	REINFORCEMENT	1		X X	(SUB FOR H137343)
9	19M7866	SCREW	2	-643457	X	M8 X 20
	19M7865	SCREW	2	643458-	X X	M8 X 16
10	AH135481	SHEET	1		X X	(SUB FOR AH117811)
11	21M7089	SCREW	12		X X	M8 X 20
	14M7298	FLANGE NUT	14		X X	M8
12	AH125534	WEATHERSTRIP	1		X X	
13	AH125533	WEATHERSTRIP	1		X X	
14	19M7865	SCREW	AR		X X	M8 X 16
15	37M7080	SCREW	6		X X	M10 X 30
16	03M7307	BOLT	2		X X	M10 X 25
17	H141123	NUT	2		X X	

7D7

SEPARATOR SHELL

AUGER DRIVE SHIELDS (R.H. SIDE)
HP9285 -UN-24NOV99



HP9285

7D8

SEPARATOR SHELL

AUGER DRIVE SHIELDS (R.H. SIDE) - CONTINUED

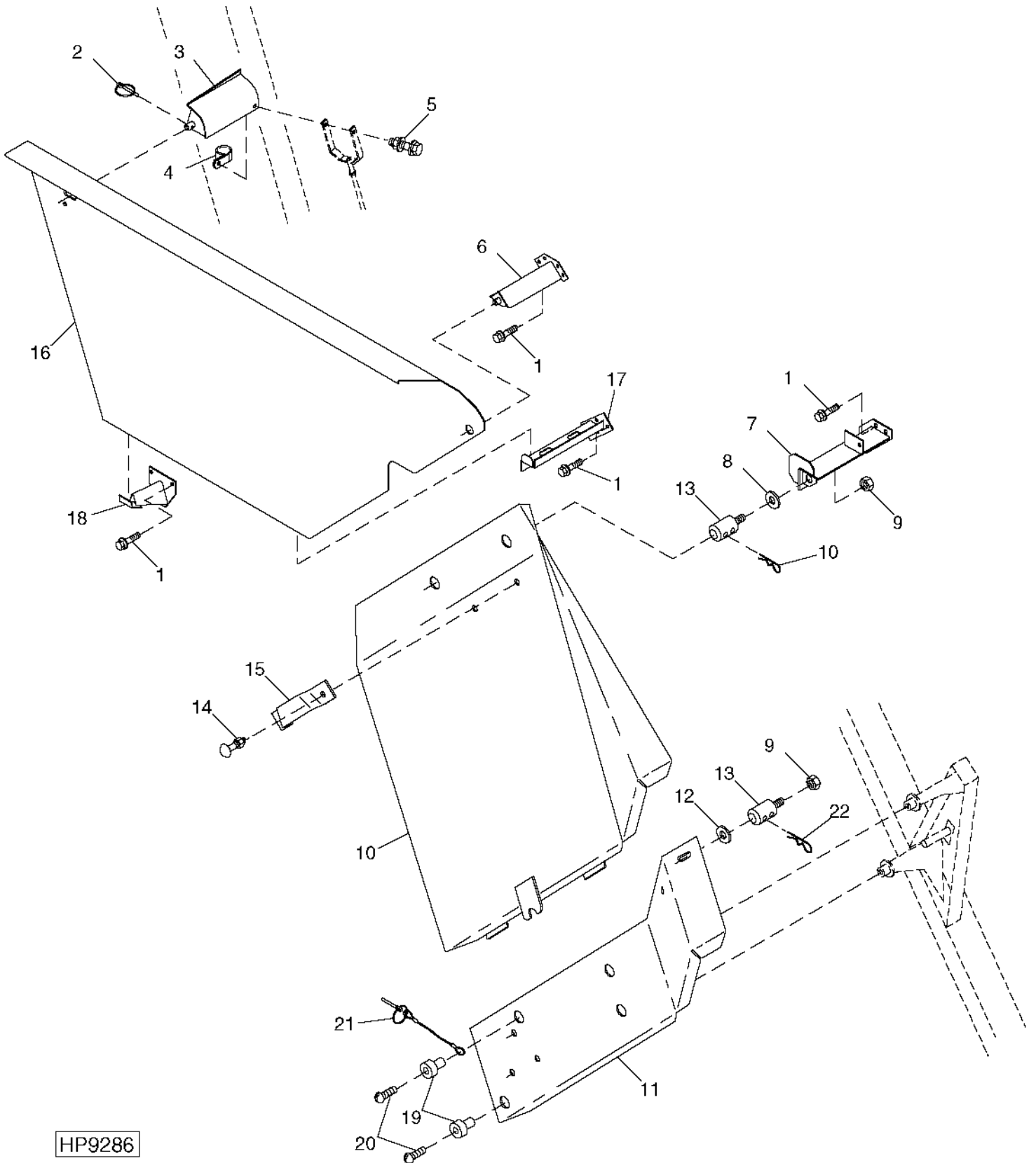
KEY	PART NO.	PART NAME	QTY	SERIAL NO.	S H 9 5 0 0	REMARKS
1A	H128884	SHIELD	1	-645200	X X	
1B	H141772	SHIELD	1	645201-	X X	
2	19M3131	CAP SCREW	2		X X	M8 X 25
	14M7298	FLANGE NUT	2		X X	M8
3	H135860	SHIELD	1		X	AUGER DRIVE IDLER
4	19M7865	SCREW	3		X	M8 X 16
5	19M7865	SCREW	4		X X	M8 X 16
	14M7298	FLANGE NUT	4		X X	M8
6	AH146783	SHIELD	1		X	(SUB FOR AH135633)
	AH131510	SHIELD	1		X	AUGER DRIVE, SIDE HILL - SERVICE ONLY
7	14M7299	FLANGE NUT	1		X X	M12
8	H141770	SHIELD	1		X X	(SUB FOR H134383)
9	03M7184	BOLT	2	-635200	X	
	19M7866	SCREW	2	635201-	X X	M8 X 20
	14M7298	FLANGE NUT	2		X X	M8
10	H134414	STRAP	1	-640200	X X	
	H146756	STRAP	1	640201-	X X	(SUB FOR H134414)
11	03M7183	BOLT	2		X X	M8 X 16
	14M7298	FLANGE NUT	2		X X	M8
..	H141771	SUPPORT	1		X X	
..	BH80539	COMPLETE GOODS/SHIP. BUNDLE	1		X	SIDEHILL CLEANING FAN SHIELDS

7D9

SEPARATOR SHELL

MUD AND FAN DRIVE SHIELDS (L.H. SIDE)

HP9286 -UN-24NOV99



HP9286

7D10

SEPARATOR SHELL

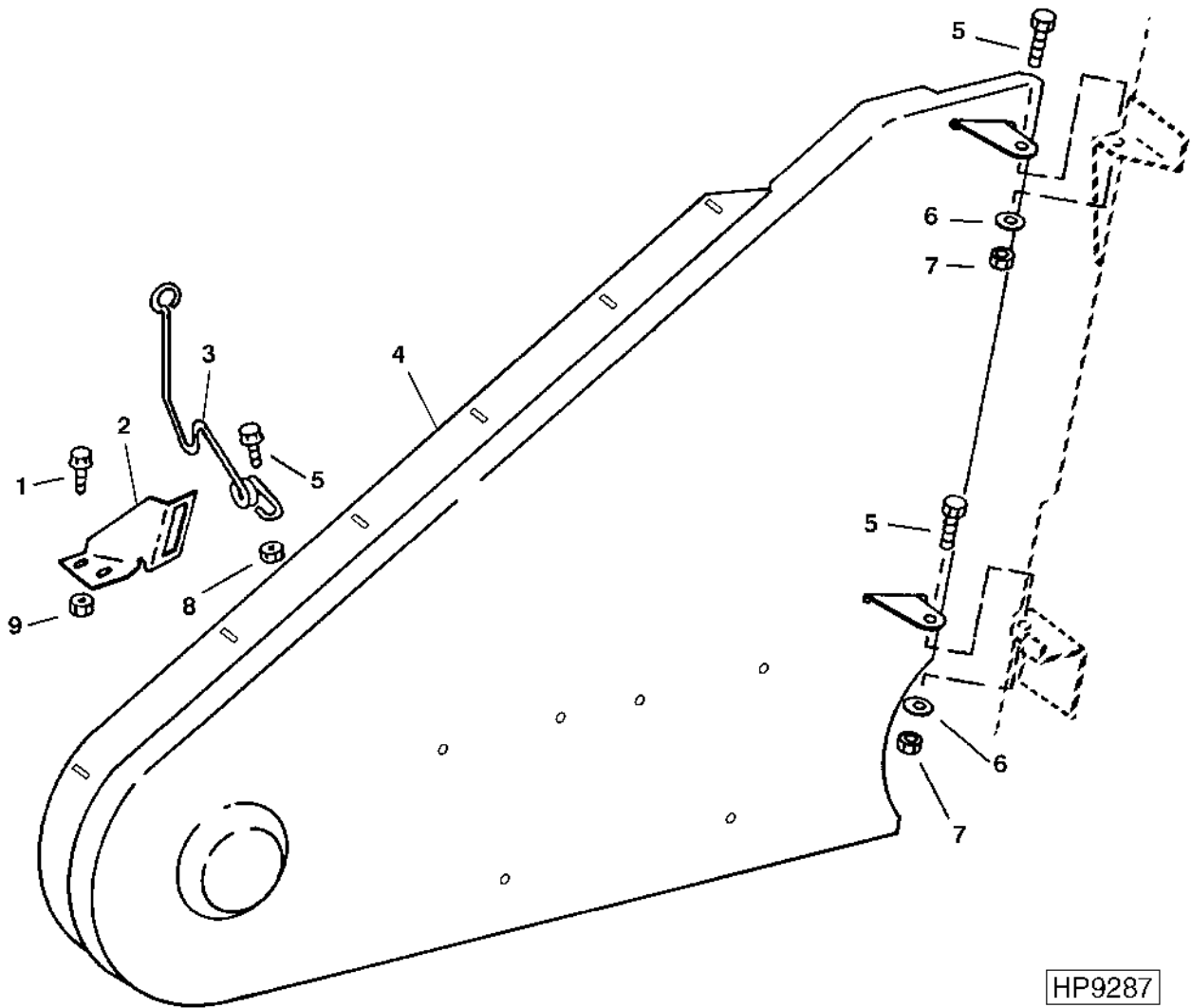
MUD AND FAN DRIVE SHIELDS (L.H. SIDE) - CONTINUED

KEY	PART NO.	PART NAME	QTY	SERIAL NO.	S H 9 5 0 0	REMARKS
1	19M7865	SCREW	14		X X	M8 X 16
2	M72598	QUICK LOCK PIN	6	-640200	X	
3	AH130941	BRACKET	1		X X	
4	R46414	CLAMP	1		X X	
5	19M7865	SCREW	2		X X	M8 X 16
	14M7298	FLANGE NUT	2		X X	M8
6	AH130945	BRACKET	1		X X	
7	AH130944	BRACKET	1		X X	
8	24M7178	WASHER	1		X X	10.500 X 30 X 2.500 MM
9	14M7296	FLANGE NUT	2		X X	M10
10	AH125820	SHIELD	1		X X	CENTER
11	AH137201	SHIELD	1		X X	(SUB FOR AH125821)
12	24H1314	WASHER	1		X X	13/32" X 1-3/4" X 7/64"
13	H154757	STUD	2		X X	(SUB FOR H130636 OR H141975)
14	03M7183	BOLT	2		X X	M8 X 16
	14M7298	FLANGE NUT	2		X X	M8
15	H85184	HANDLE	1		X X	
16	H127465	SHIELD	1	-640200	X	
	H140300	SHIELD	1	640201-	X X	
17	AH128914	BRACKET	1		X X	
18	AH130197	BRACKET	1		X X	
19	M93425	SPACER	2	640201-	X X	
20	21M7125	SCREW	2	640201-	X X	M8 X 25
21	AH134121	CABLE	2	640201-	X X	32 IN. LONG
22	A15147	SPRING LOCKING PIN	2		X X	

7D11

SEPARATOR SHELL

DRIVE SHIELD (R.H. REAR)
HP9287 -UN-17NOV99



7D12

SEPARATOR SHELL

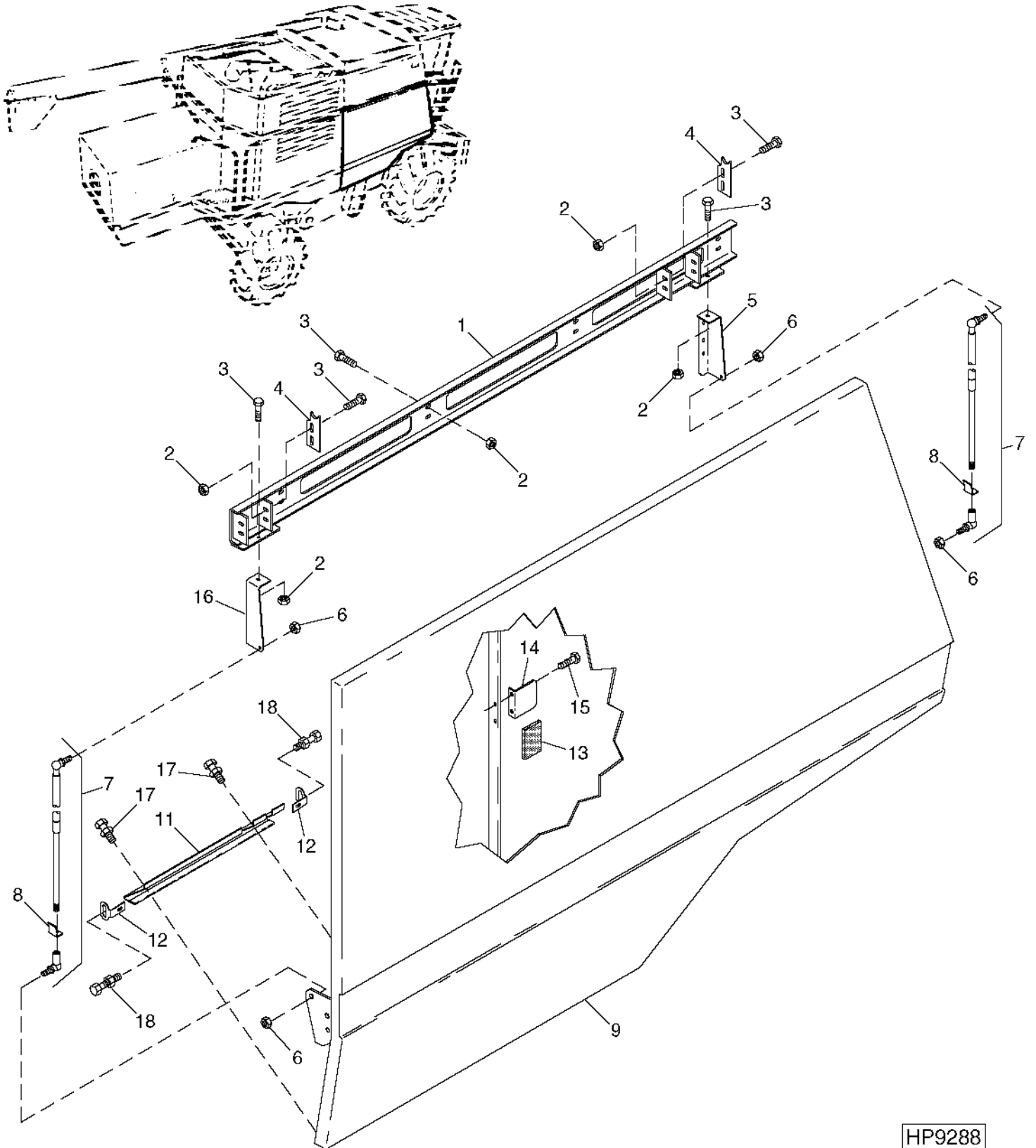
DRIVE SHIELD (R.H. REAR) - CONTINUED

KEY	PART NO.	PART NAME	QTY	SERIAL NO.	S H 9 5 0 0	REMARKS
1	19M7866	SCREW	2		X X	M8 X 20
2	H131470	BRACKET	1	-630200	X	
	H141813	BRACKET	1	630201-	X X	
3	H130930	SPRING	1		X X	
4	AH146361	SHIELD	1		X X	(SUB FOR AH123921)
5	19M7785	SCREW	3		X X	M10 X 25
6	24M7028	WASHER	2		X X	10.500 X 20 X 2 MM
7	14M7400	LOCK NUT	1		X X	M10
8	14M7296	FLANGE NUT	1		X X	M10
9	14M7298	FLANGE NUT	2		X X	M8
..	H160249	SHIELD	1		X X	(SUB FOR H147137) RUBBER SHIELD (FOR USE IN CORN) ALSO REQUIRES (7) 19M7775, (7) 24M7207 AND (7) 14M7303

7D13

SEPARATOR SHELL

R.H. SERVICE ACCESS SHIELD
HP9288 -UN-18NOV99



HP9288

7D14

SEPARATOR SHELL

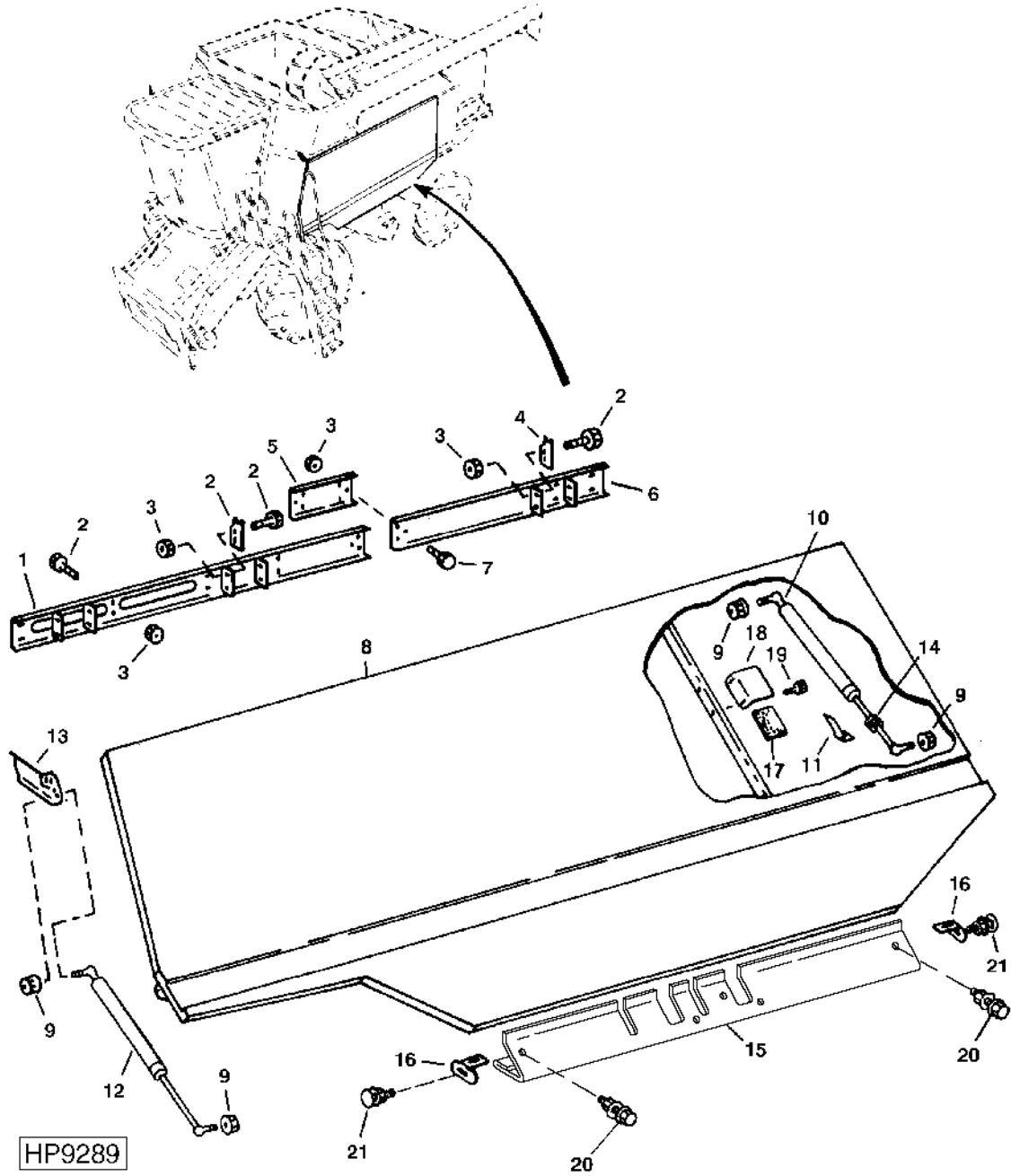
R.H. SERVICE ACCESS SHIELD- CONTINUED

KEY	PART NO.	PART NAME	QTY	SERIAL NO.	S H 9 9 5 5 0 0 0 0	REMARKS
1	AH166713	CHANNEL	1		X X	(SUB FOR AH125306)
2	14M7296	FLANGE NUT	10		X X	M10
3	19M7784	SCREW	10		X X	M10 X 20
4	H125537	PLATE	2		X X	
5	H139056	BRACKET	1		X X	
6	14M7298	FLANGE NUT	4		X X	M8
7	AH128596	GAS OPERATED CYLINDER	2		X X	(SUB FOR AH143219)
8	H135965	STOP	1		X X	
9	AH127716	DOOR	1		X X	
10	M68701	GROMMET	1		X X	
11	H159053	DEFLECTOR	1		X X	(SUB FOR H130039 OR H152048)
12	H132822	ANGLE	2		X X	
13	H143453	FOAM PAD	2		X X	(SUB FOR H129406)
14	H143454	BRACKET	2		X X	(SUB FOR H129843)
15	37M7083	SCREW	4		X X	M8 X 12
16	H129833	BRACKET	1		X X	
17	19M7865	SCREW	2		X X	M8 X 16
	14M7298	FLANGE NUT	2		X X	M8
18	03M7183	BOLT	2		X X	M8 X 16
	14M7298	FLANGE NUT	2		X X	M8

7D15

SEPARATOR SHELL

L.H. SERVICE ACCESS SHIELD
HP9289 -UN-15NOV99



7D16

SEPARATOR SHELL

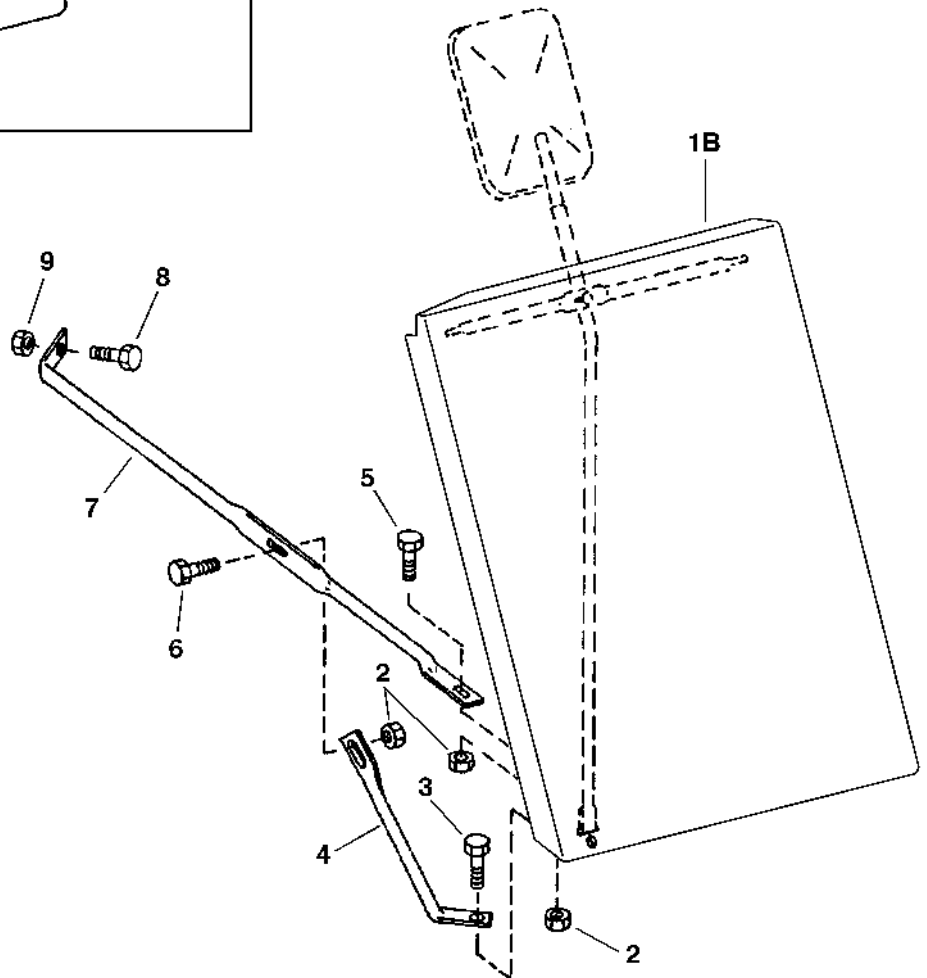
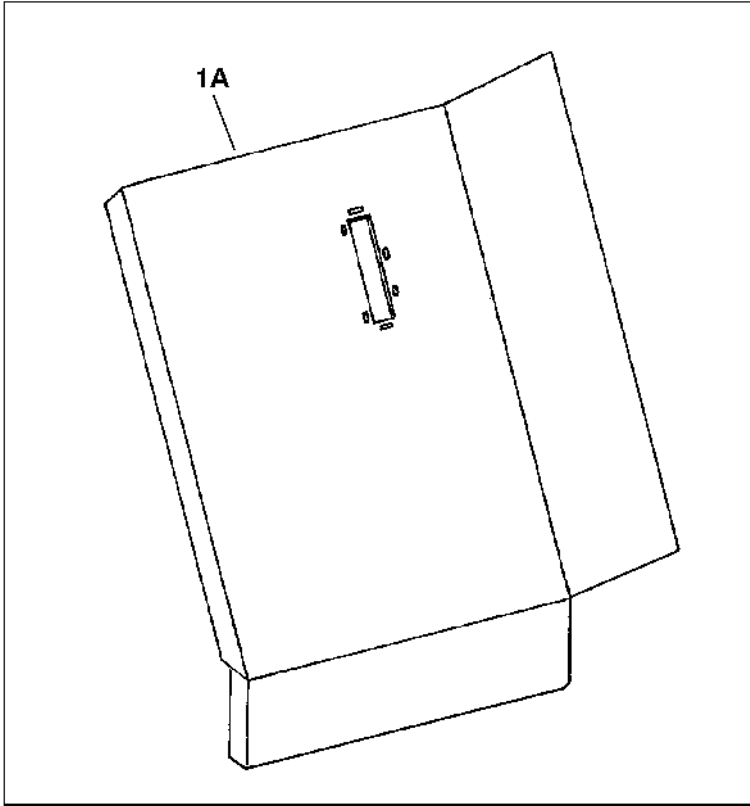
L.H. SERVICE ACCESS SHIELD- CONTINUED

KEY	PART NO.	PART NAME	QTY	SERIAL NO.	S H 9 9 5 5 0 0 0 0	REMARKS
1	AH166714	CHANNEL	1		X X	(SUB FOR AH125478)
2	19M7785	SCREW	12		X X	M10 X 25
3	14M7296	FLANGE NUT	18		X X	M10
4	H125537	PLATE	2		X X	
5	H132008	CHANNEL	1		X X	
6	AH127275	CHANNEL	1		X X	
7	19M7784	SCREW	6		X X	M10 X 20
8	AH127704	DOOR	1		X X	
9	14M7298	FLANGE NUT	4		X X	M8
10	AH128598	GAS OPERATED CYLINDER	1		X X	(SUB FOR AH143218) REAR
11	H135965	STOP	1		X X	
12	AH128597	GAS OPERATED CYLINDER	1		X X	(SUB FOR AH143033) FRONT
13	H127677	BRACKET	1		X X	
14	M68701	GROMMET	1		X X	
15	H152047	DEFLECTOR	1		X X	(SUB FOR H130521)
16	H132822	ANGLE	2		X X	
17	H143453	FOAM PAD	3		X X	(SUB FOR H129406)
18	H143454	BRACKET	3		X X	(SUB FOR H129843)
19	37M7083	SCREW	6		X X	M8 X 12
20	19M7865	SCREW	2		X X	M8 X 16
	14M7298	FLANGE NUT	2		X X	M8
21	03M7183	BOLT	2		X X	M8 X 16
	14M7298	FLANGE NUT	2		X X	M8

7D17

SEPARATOR SHELL

R.H. FRONT CORNER SHEET
HP6743 -UN-23JUN97



HP6743

7D18

SEPARATOR SHELL

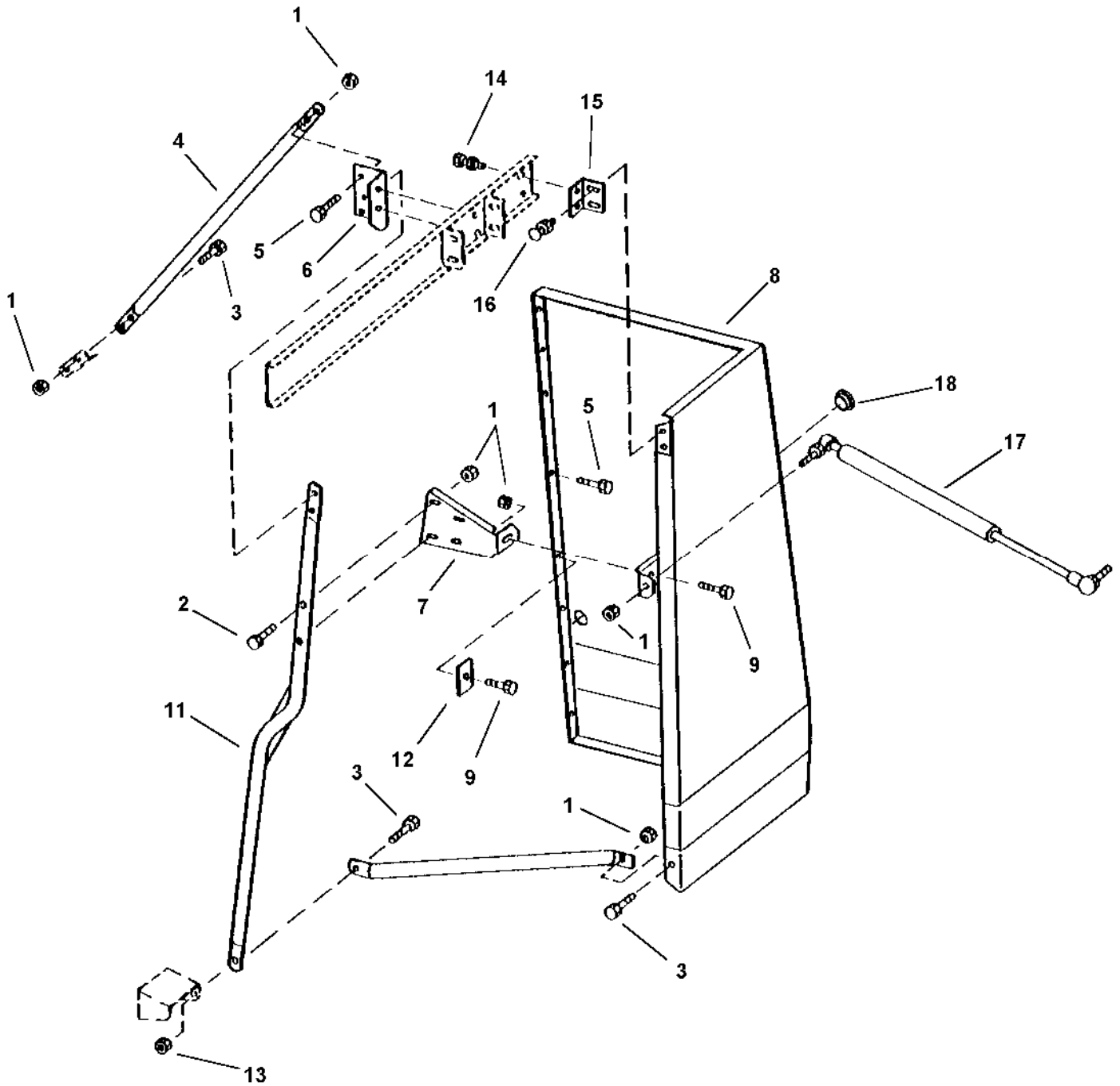
R.H. FRONT CORNER SHEET - CONTINUED

KEY	PART NO.	PART NAME	QTY	SERIAL NO.	S H 9 5 0 0	REMARKS
1A	AH141178	PANEL	1	-29SEP7	X X	(SUB FOR AH126181)
1B	AH147092	PANEL	1	29SEP7-	X X	
2	14M7298	FLANGE NUT	3		X X	M8
3	19M7866	SCREW	1		X X	M8 X 20
4	H127410	BRACE	1		X X	
5	19M7865	SCREW	1		X X	M8 X 16
6	19M7867	SCREW	1	-641504	X	M8 X 25
	03M7185	BOLT	1	641505-	X X	M8 X 25
7	H127408	BRACE	1		X X	
8	19M7785	SCREW	1		X X	M10 X 25
9	14M7296	FLANGE NUT	1		X X	M10

7D19

SEPARATOR SHELL

L.H. REAR CORNER SHEET
HP7250 -UN-06NOV97



HP7250

7D20

SEPARATOR SHELL

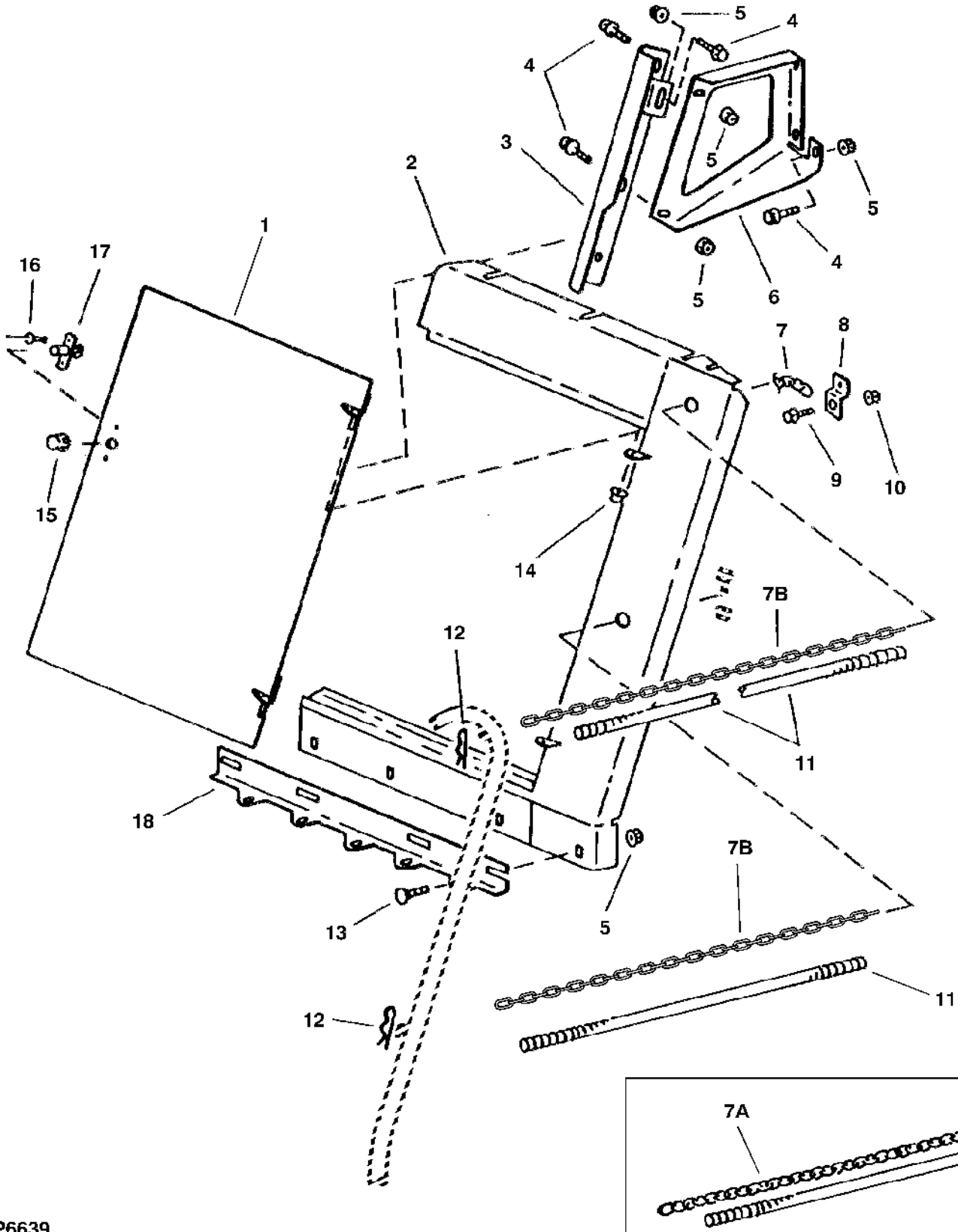
L.H. REAR CORNER SHEET - CONTINUED

KEY	PART NO.	PART NAME	QTY	SERIAL NO.	S H 9 5 0 0	REMARKS
1	14M7298	FLANGE NUT	6	-650861	X X	M8
	14M7298	FLANGE NUT	5	650862-	X X	M8
2	19M8317	SCREW	2	-656577	X X	M8 X 40
	19M8318	SCREW	1	656578-	X X	M8 X 45
3	19M7868	SCREW	3		X X	M8 X 30
4	H132948	BRACE	1		X X	
5	19M7866	SCREW	6		X X	M8 X 20
6	H131543	BRACKET	1		X X	
7	H132857	BRACKET	1	-645200	X X	
	H144029	BRACKET	1	645200-	X X	
8	AH158487	PANEL	1		X X	(SUB FOR AH128014, AH136162 OR AH156190)
9	19M7867	SCREW	6		X X	M8 X 25
10	H132949	BRACE	1		X X	
11	AH126564	BRACE	1		X X	
12	H137534	STRAP	5		X X	
13	14M7396	LOCK NUT	1	650862-	X X	M8
14	19M7785	SCREW	2		X X	M10 X 25
	14M7296	FLANGE NUT	2		X X	M10
15	H126672	BRACKET	1		X X	
16	19M7785	SCREW	2		X X	M10 X 25
	14M7296	FLANGE NUT	2		X X	M10
17	AH128598	GAS OPERATED CYLINDER	1		X X	REAR
18	R67363	PLUG	1		X X	

7D21

SEPARATOR SHELL

L.H. FRONT CORNER SHEET AND DOOR
HP6639 -UN-10FEB97



HP6639

7D22

SEPARATOR SHELL

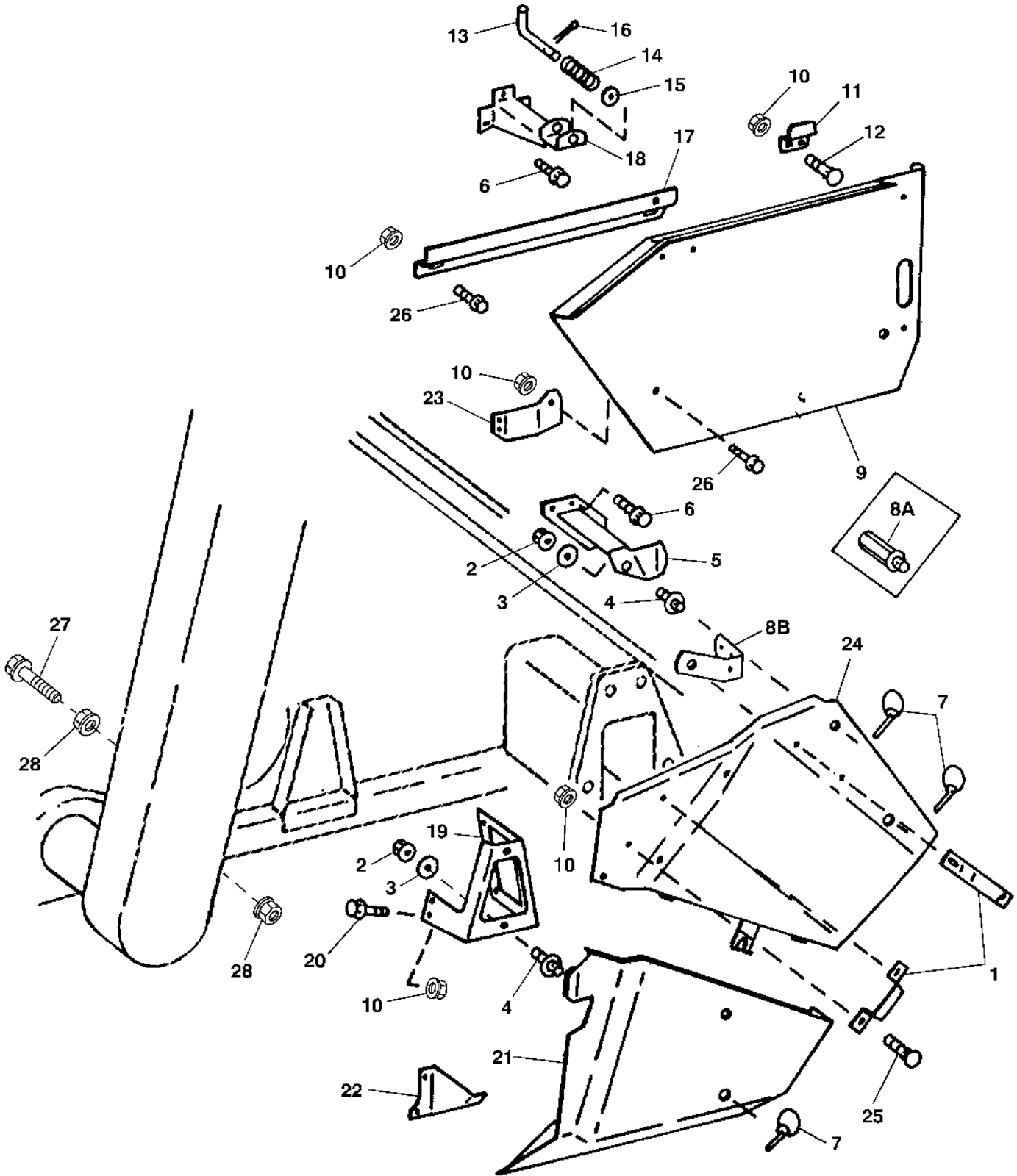
L.H. FRONT CORNER SHEET AND DOOR - CONTINUED

KEY	PART NO.	PART NAME	QTY	SERIAL NO.	S H 9 5 0 0	REMARKS
1	AH125641	DOOR	1		X X	
2	AH125640	PANEL	1	-650200	X X	
	AH141743	PANEL	1	650201-	X X	
3	H130364	ANGLE	1		X X	(SUB FOR AH125642)
4	19M7865	SCREW	9		X X	M8 X 16
5	14M7298	FLANGE NUT	10		X X	M8
6	H130363	BRACKET	1		X X	
7	AN152995	LINK CHAIN	2	-661395	X X	(SUB FOR AH130393) 75 LINKS
	AH146041	SAFETY CHAIN	2	661396-	X X	34 LINKS
8	H131628	BRACKET	1		X X	
9	19M7775	SCREW	1		X X	M6 X 16
10	14M7303	FLANGE NUT	1		X X	M6
11	AH146041	SAFETY CHAIN	2		X X	(SUB FOR AH145703 OR H134306)
12	B32630	SPRING LOCKING PIN	2		X X	
13	03M7183	BOLT	4		X X	M8 X 16
14	H120499	NUT	2		X X	6 MM (0.236")
15	H121391	KNOB	1		X X	
16	H64584	RIVET	2		X X	
17	AH125644	LATCH	1		X X	
18	H130362	ANGLE	1		X X	

7D23

SEPARATOR SHELL

MUD SHIELDS (R.H. SIDE)
HP6721 -UN-14MAY97



HP6721

7D24

SEPARATOR SHELL

MUD SHIELDS (R.H. SIDE) - CONTINUED

KEY	PART NO.	PART NAME	QTY	SERIAL NO.	S H 9 5 0 0	REMARKS
1	H85184	HANDLE	2		X X	
2	14M7296	FLANGE NUT	3		X X	M10
3	24M7178	WASHER	3		X X	10.500 X 30 X 2.500 MM
4	H154757	STUD	3		X X	(SUB FOR H141975)
5	AH136355	BRACKET	1		X X	(SUB FOR AH130946)
6	19M7865	SCREW	2	-651946	X X	M8 X 16
	37M7058	SCREW	2	651947-	X X	M8 X 20
7	M72598	QUICK LOCK PIN	3		X X	
8A	AH130481	STUD	1	-640200	X	
8B	H141979	BRACKET	1	640201-	X X	
9	AH122616	SHIELD	1		X X	
10	14M7298	FLANGE NUT	11		X X	M8, CENTER
11	H127732	GUIDE	1		X X	FAN DRIVE
12	03M7184	BOLT	2		X X	M8 X 20
13	H150746	PIN	1		X X	(SUB FOR H78557)
14	HZ5621H	SPRING	1		X X	
15	24H1305	WASHER	1		X X	13/32" X 13/16" X 0.065"
16	11M1383	COTTER PIN	1		X X	3.200 X 20 MM (0.126" X 0.787") (SUB FOR 11H211)
17	H152135	GUIDE	1		X X	(SUB FOR H127731)
18	AH136285	BRACKET	1		X X	(SUB FOR AH122619)
19	H146757	BRACKET	1		X X	(SUB FOR H141978 OR H131362)
20	19M7866	SCREW	2		X X	M8 X 20
21	AH126352	SHIELD	1		X X	
22	H131876	BRACKET	1		X X	
23	AH155669	BRACKET	1		X X	(SUB FOR AH130132 OR AH135375)
24	AH126620	SHIELD	1		X X	
25	03M7183	BOLT	4		X X	M8 X 16
26	19M7865	SCREW	2		X X	M8 X 16
27	19M8413	CAP SCREW	1	670910-671855	X X	M12 X 150
	19M8037	CAP SCREW	1	671856-	X X	M12 X 180
28	14M7299	FLANGE NUT	2	670910-	X X	M12
..	BH80037	COMPLETE GOODS/SHIP. BUNDLE	1		X X	MUDSHIELDS
..	BH79821	COMPLETE GOODS/SHIP. BUNDLE	1		X X	MUDSHIELDS (R.H.)

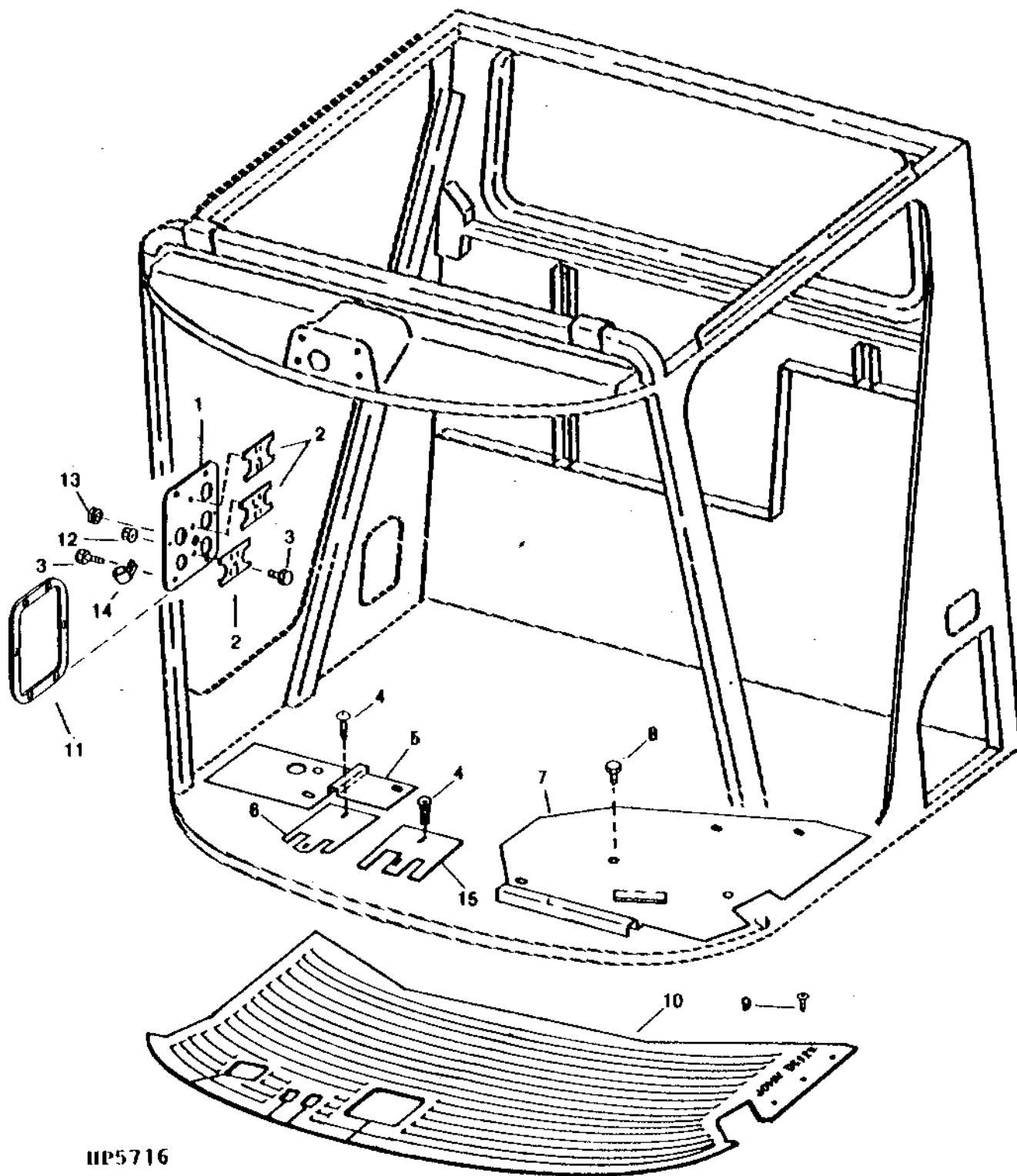
MEMORANDA

MEMORANDA

7E5

OPERATOR'S STATION

CAB PANELS AND FLOOR MAT
HP5716 -UN-01JAN94



HP5716

7E6

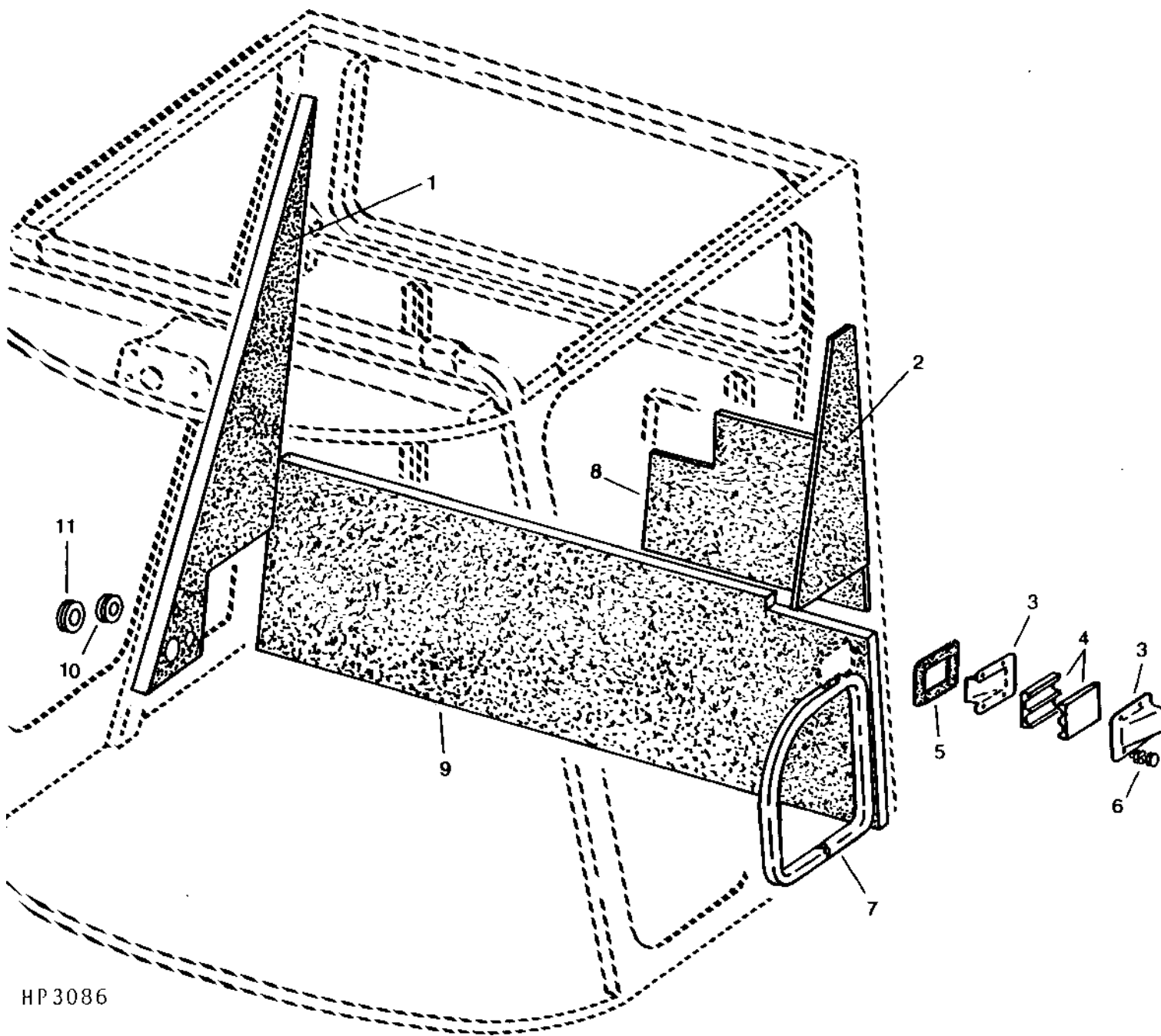
OPERATOR'S STATION

CAB PANELS AND FLOOR MAT - CONTINUED

KEY	PART NO.	PART NAME	QTY	SERIAL NO.	S H 9 9 5 5 0 0 0 0	REMARKS
1	H131298	PLATE	1		X X	
2	H131299	PLATE	3		X X	
3	19M7775	SCREW	9		X X	M6 X 16
4	37M7071	SCREW	4		X X	R.H.
5	H133665	SHEET	1		X X	
6	H124260	PLATE	1		X X	L.H.
7	H133666	SHEET	1		X X	
8	37M7089	SCREW	7		X X	M6 X 12
9	37M7074	SCREW	3		X X	
10	AH159079	MAT	1		X X	(SUB FOR AH128349)
11	H131301	SEAL	1		X X	
12	14M7303	FLANGE NUT	3		X X	M6
13	H131300	GROMMET	1		X X	
14	AH89557	CLIP	1		X X	
15	H141292	PLATE	1		X X	

7E7

CAB SOUND DEADENING, FOAM AND SEALS
HP3086 -UN-01JAN94

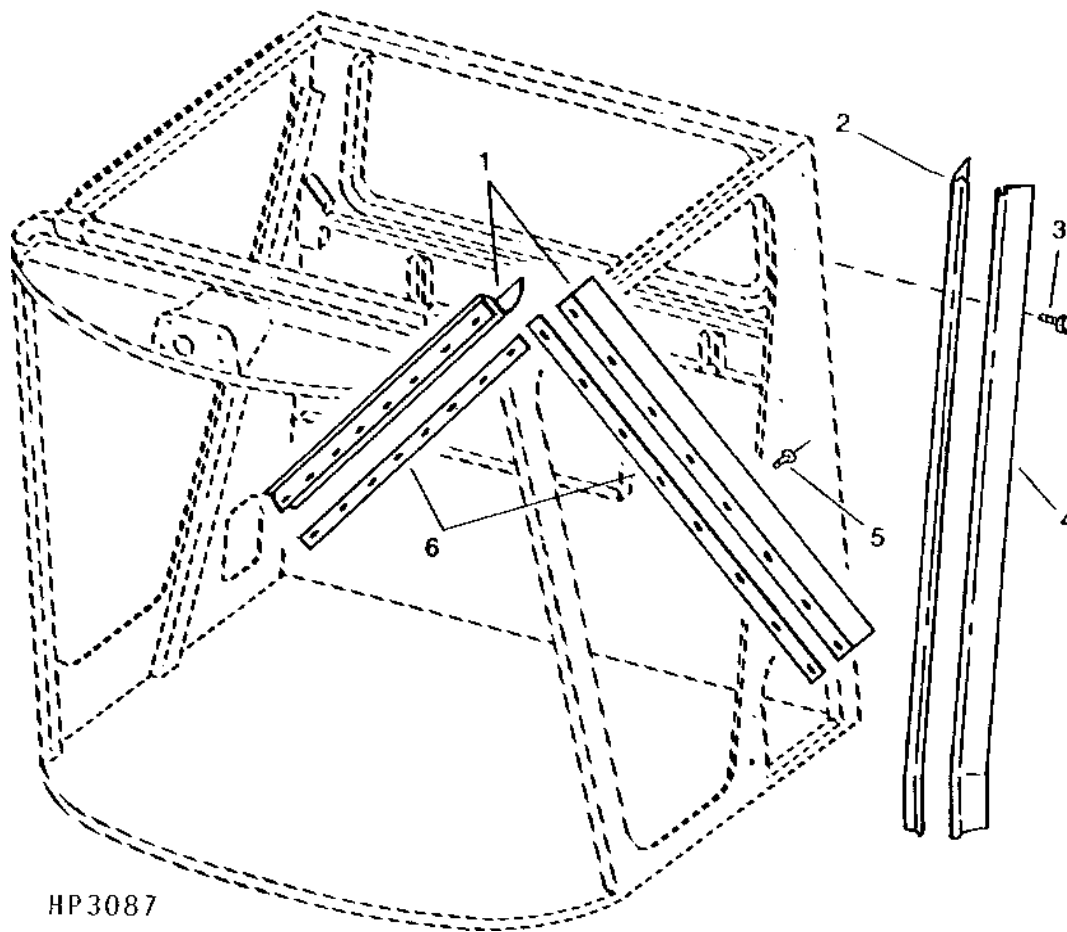


CAB SOUND DEADENING, FOAM AND SEALS - CONTINUED

KEY	PART NO.	PART NAME	QTY	SERIAL NO.	S H 9 9 5 5 0 0 0 0	REMARKS
1	H125511	FOAM PAD	1		X X	
2	AH127674	BARRIER	1		X X	L.H.
3	H129606	RETAINER	2		X X	
4	H114523	SEAL	2		X X	
5	H114525	GASKET	1		X X	
6	37M7090	SCREW	4		X X	M6 X 16
7	AH80335	WEATHERSTRIP	1		X X	
8	AH126834	BARRIER	1		X X	REAR
9	AH120892	BARRIER	1	-665200	X X	REAR
	AH146747	BARRIER	1	665201-	X X	L.H.
	AH146748	BARRIER	1	665201-	X X	R.H.
10	R50456	GROMMET	1		X X	
11	H36221	GROMMET	1		X X	

7E9

CAB REAR AND SIDE SEALS
HP3087 -UN-01JAN94



7E10

OPERATOR'S STATION

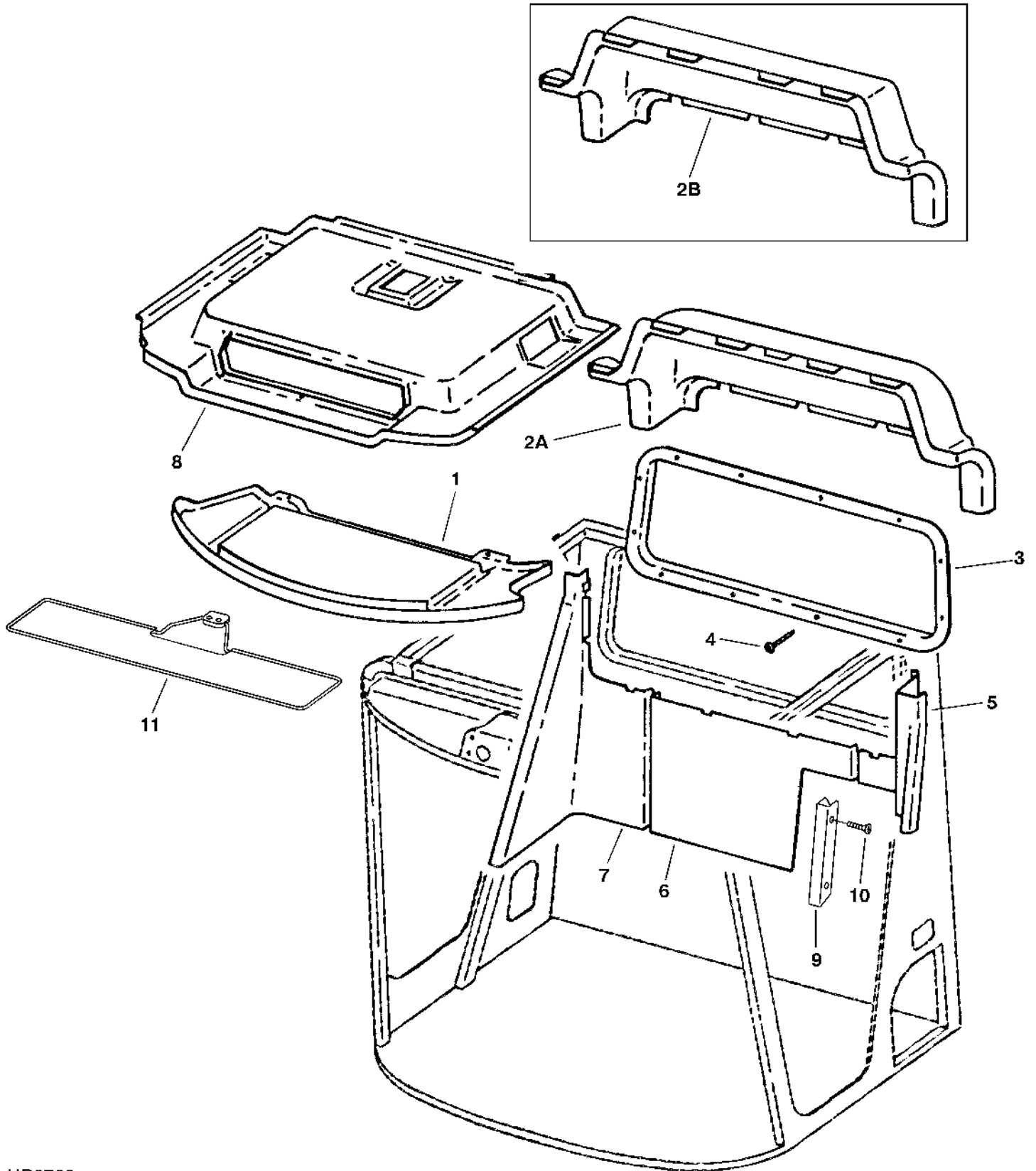
CAB REAR AND SIDE SEALS - CONTINUED

KEY	PART NO.	PART NAME	QTY	SERIAL NO.	S H 9 9 5 5 0 0 0 0	REMARKS
1	H135614	SEAL	2		X X	
2	H133391	BRACKET	1		X X	
3	37M7089	SCREW	8		X X	M6 X 12
4	AH141774	SEAL	1			(SUB FOR AH125643)
5	H85233	RIVET	16		X X	
6	H135615	RETAINER	2		X X	

7E11

OPERATOR'S STATION

CAB INTERIOR TRIM PANELS
HP6763 -UN-11JUL97



HP6763

7E12

OPERATOR'S STATION

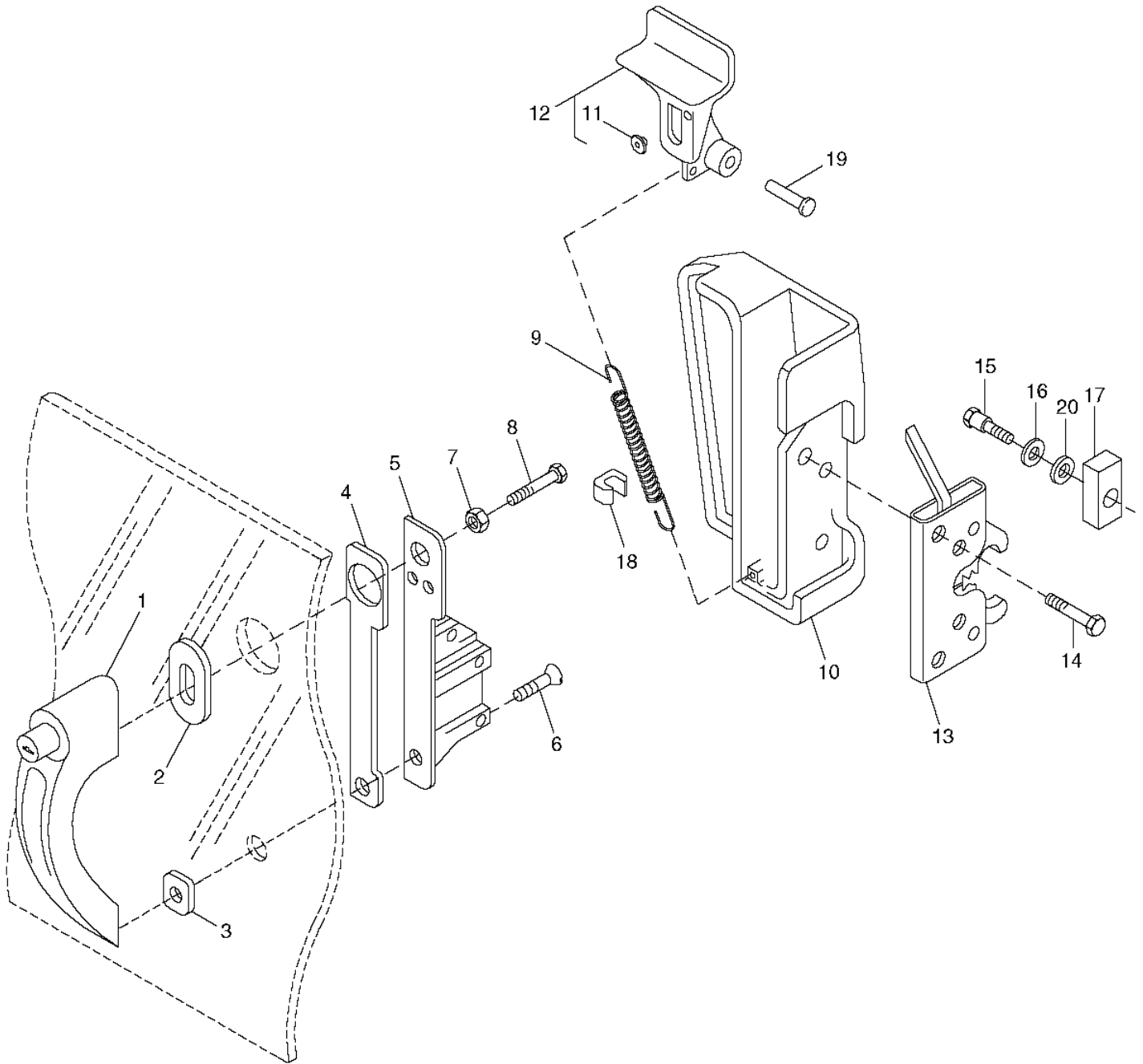
CAB INTERIOR TRIM PANELS - CONTINUED

KEY	PART NO.	PART NAME	QTY	SERIAL NO.	S H 9 5 0 0	REMARKS
1	AH120887	HEADLINER	1	-670227	X X	FRONT, WITHOUT SUN VISOR
	AH153911	HEADLINER	1	670228-	X X	FRONT, WITH SUN VISOR
2A	AH120889	HEADLINER	1	-666047	X X	REAR
2B	AH149883	HEADLINER	1	666048-	X X	REAR
3	H168431	BEZEL	1		X X	(SUB FOR H125513) REAR
4	H119088	SCREW	12		X X	
5	AH120891	PANEL	1		X X	L.H.
6	AH121613	PANEL	1		X X	REAR
7	AH120890	PANEL	1		X X	R.H.
8	AH136326	HEADLINER	1	-666047	X X	(SUB FOR AH120888)
	AH149882	HEADLINER	1	666048-	X X	
9	H124210	COVER	1		X X	
10	H132451	CAP SCREW	2		X X	M6 X 50
11	AH151123	SUN VISOR	1		X X	
..	AH133088	KIT	1		X X	SERVICE KIT FOR CAB HARDWARE

7E13

OPERATOR'S STATION

CAB DOOR LATCH
HP8513 -UN-23APR99



HP8513

7E14

OPERATOR'S STATION

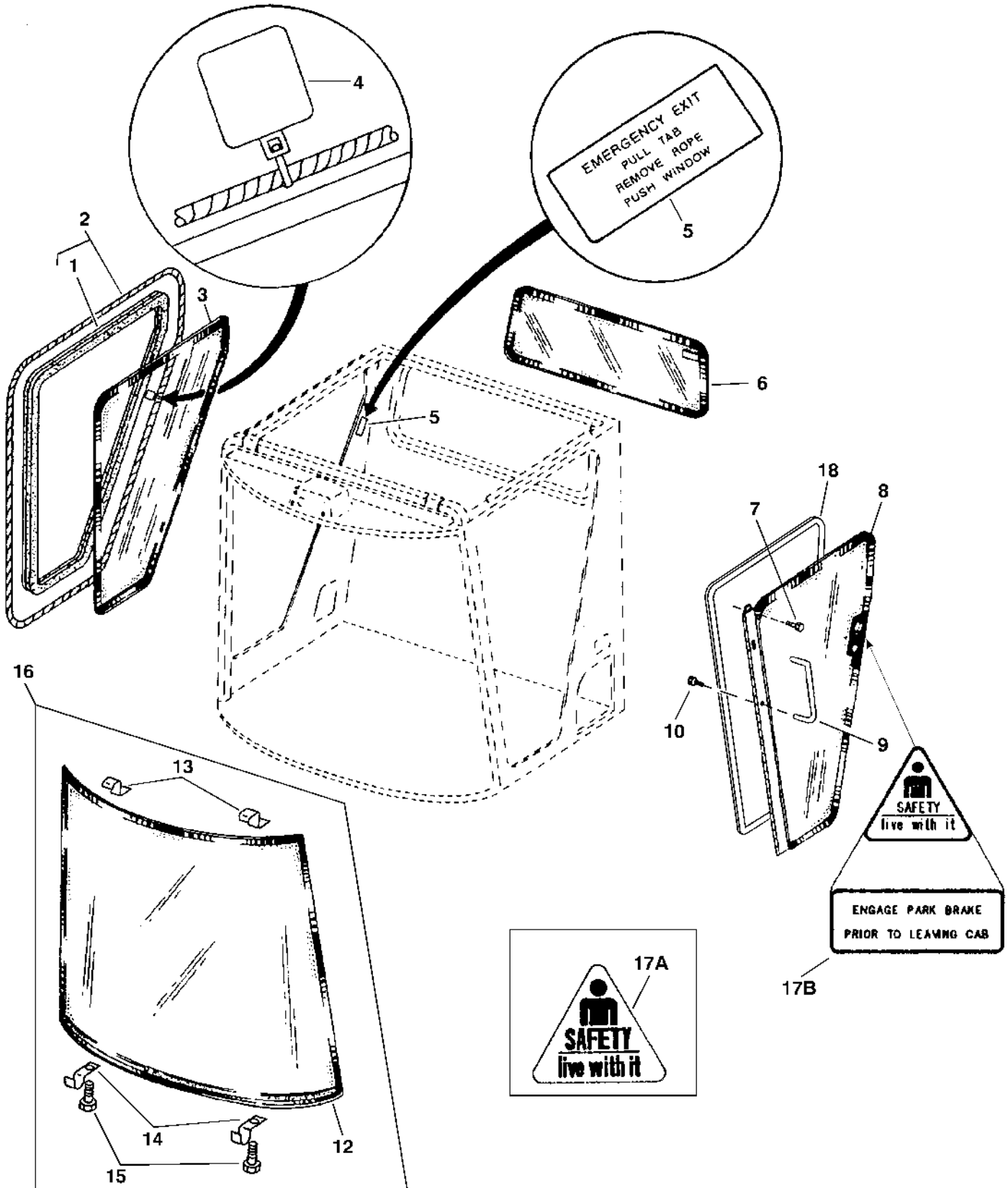
CAB DOOR LATCH - CONTINUED

KEY	PART NO.	PART NAME	QTY	SERIAL NO.	REMARKS
1	RE35161	HANDLE	1		
2	H126081	BEZEL	1		
3	H126082	BEZEL	1		
4	H126083	ISOLATOR	1		
5	H133414	SUPPORT	1		
6	21M7334	SCREW	3	M6 X 25	
7	14H786	NUT	1	1/4"	
8	19H1898	CAP SCREW	1	1/4" X 1-1/2"	
9	H134671	EXTENSION SPRING	1		
10	H150047	HOUSING	1	(SUB FOR H133413)	
11	H145893	BUMPER	1	(SUB FOR H135887)	
12	AH140838	HANDLE	1	(SUB FOR H133415)	
13	AH128585	LATCH	1		
14	19M8326	CAP SCREW	3	M6 X 35	
15	H136589	BOLT	1	7/16" X 1.567"	
16	24H1219	WASHER	AR	7/16" X 1" X 0.083"	
17	H133219	ADJUSTING STRAP	1		
18	H107566	ISOLATOR	1		
19	H136056	PIN	1	0.236" X 1.457"	
20	H136590	DISK SPRING	2	0.415" X 0.945" X 0.118"	
..	TY9370	ADHESIVE	1	6 OZ. MEDIUM STRENGTH	

7E15

OPERATOR'S STATION

CAB GLASS AND DOOR
HP6948 -UN-12SEP97



HP6948

7E16

OPERATOR'S STATION

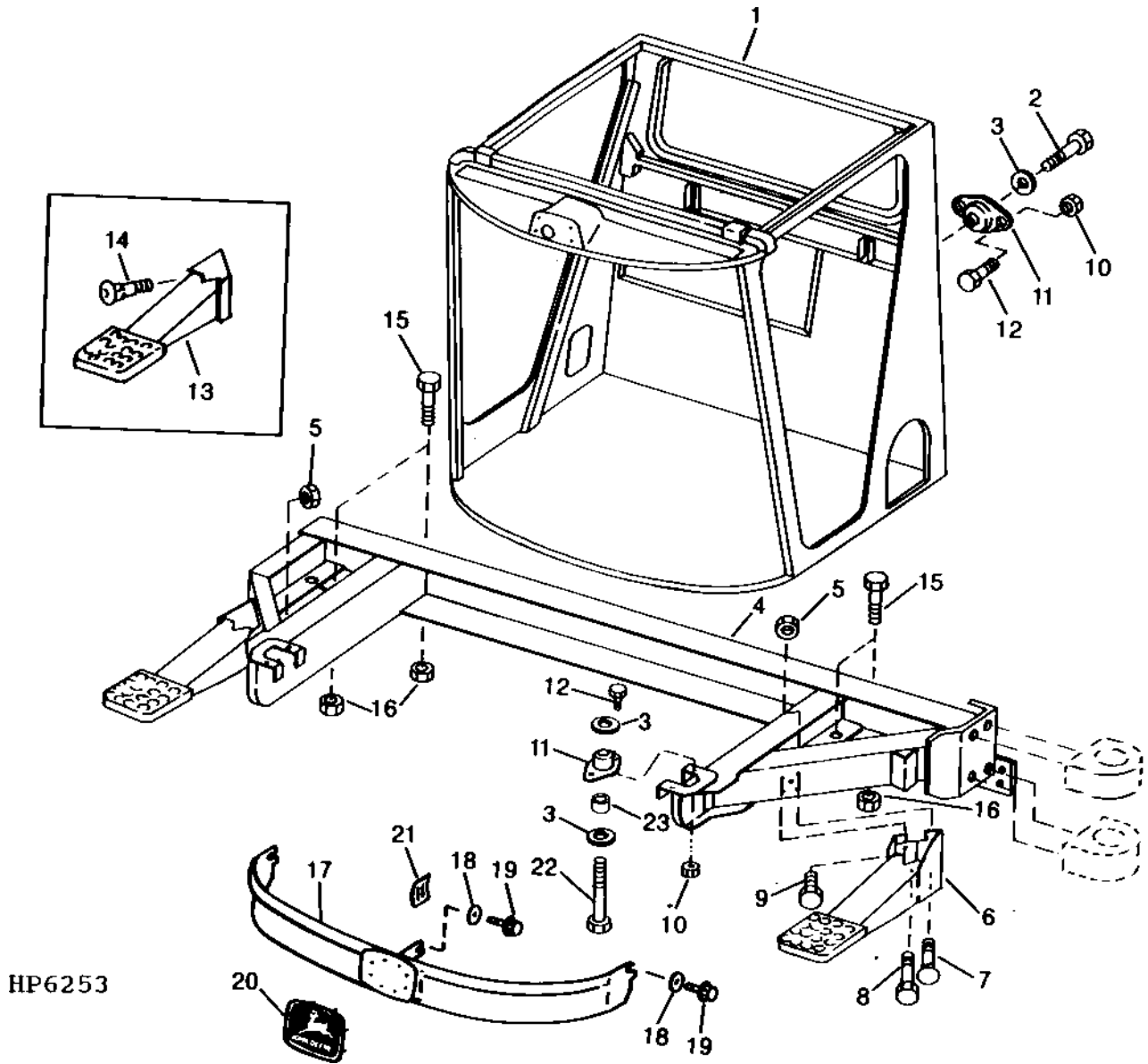
CAB GLASS AND DOOR - CONTINUED

KEY	PART NO.	PART NAME	QTY	SERIAL NO.	S H 9 5 0 0	REMARKS
1	WEATHERSTRIP	1		X X	(SUB AH106010)
2	AH106010	WEATHERSTRIP	1		X X	
3	H123794	WINDOWPANE	1		X X	
4	H138297	TIE BAND	1		X X	
5	H134535	LABEL	1		X X	
6	H125769	WINDOWPANE	1		X X	
7	37M7160	SCREW	AR		X X	M6 X 16
8	AH125963	DOOR	1		X X	(SUB AH154280)
	AH154280	DOOR	1	11AUG7-	X X	
9	H131720	RAIL	1		X X	
10	19M8358	CAP SCREW	AR		X X	M10 X 20
11	H131721	STRAP	1		X X	(NO LONGER REQUIRED)
12	WINDSHIELD	1		X X	(SUB AH132117)
13	AH132819	BRACKET	2		X X	AVAILABLE IN AH132117 WINDSHIELD KIT ONLY
14	H128392	CLAMP	2	-631754	X	(NO LONGER AVAILABLE) (CONTAINED IN AH132117)
15	19M7866	SCREW	2	-631754	X	M8 X 20
16	AH141412	KIT	1		X X	
	AH132117	WINDSHIELD	1		X X	(SUB FOR AH141411) (EXPORT)
17A	H138955	LABEL	1	-642443	X	
17B	H145982	LABEL	1	642444-	X X	
	H145983	LABEL	1			EXPORT ONLY-FRANCE
18	AH80335	WEATHERSTRIP	1		X X	CUT TO 4350MM FROM AH83825
..	AH126265	CAB	1		X X	

7E17

OPERATOR'S STATION

CAB FRAME AND SUPPORT
HP6253 -UN-04JAN96



HP6253

7E18

OPERATOR'S STATION

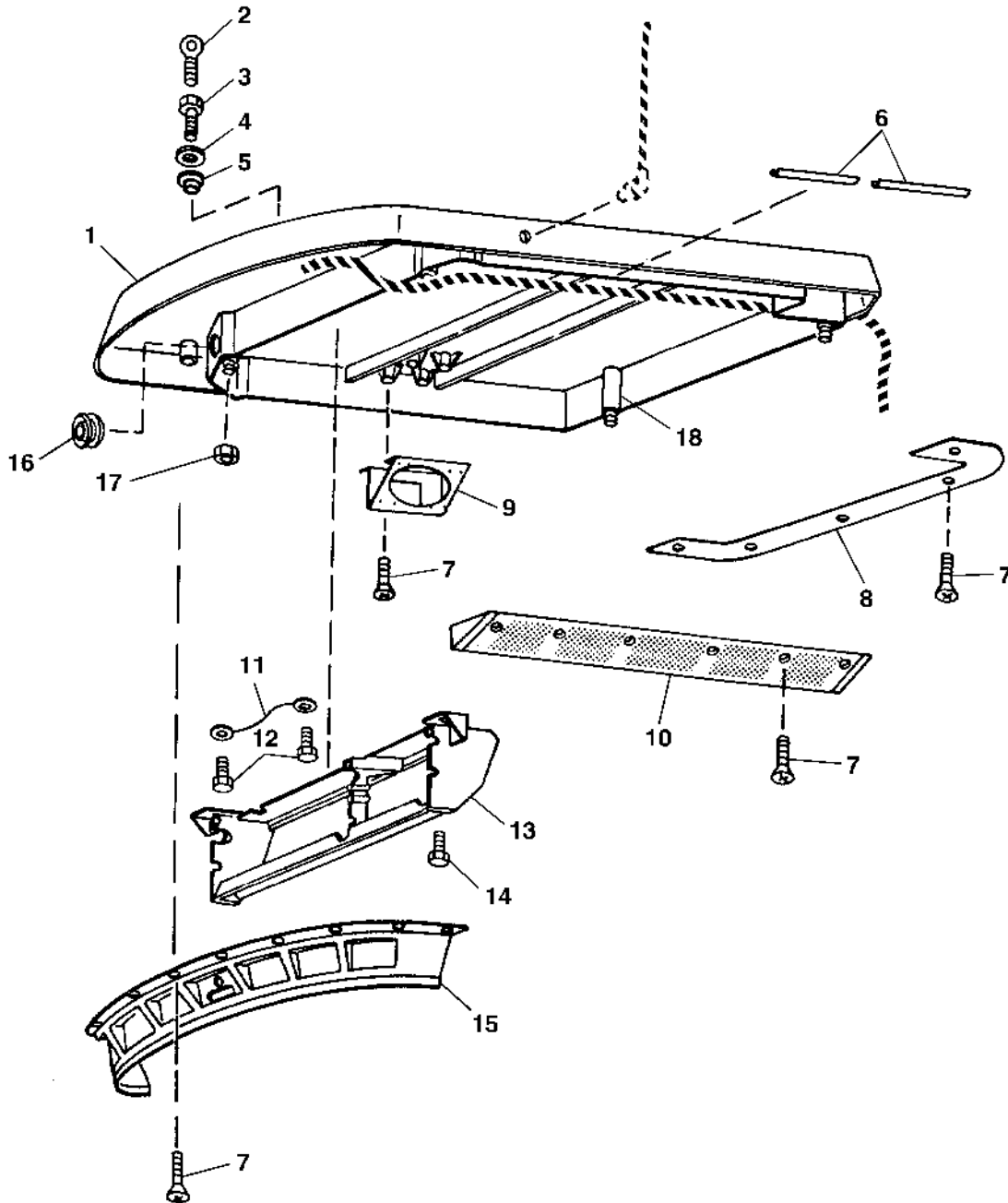
CAB FRAME AND SUPPORT - CONTINUED

KEY	PART NO.	PART NAME	QTY	SERIAL NO.	S H 9 5 0 0	REMARKS
1	AH126265	CAB	1		X X	(NO LONGER AVAILABLE)
2	19M7268	CAP SCREW	2		X X	M12 X 25 GOES THRU ISOLATION (CAB) MOUNT
3	24M7103	WASHER	4		X X	17.500 X 56 X 5 MM
4	AH130914	SUPPORT	1	-645200	X X	(SUB AH141161)
	AH141161	SUPPORT	1		X X	
	AH149583	SUPPORT	1	-29SEP7	X X	
5	14M7296	FLANGE NUT	7		X X	M10
6	AH130594	STEP	1		X X	
7	03M7191	BOLT	1	-645981	X X	M10 X 25 TOP R.H. HOLE
	19M7785	SCREW	1	645982-	X X	M10 X 25 TOP R.H. HOLE
8	03M7190	BOLT	2	-645981	X X	M10 X 20 BOTTOM TWO HOLES
	19M7785	SCREW	2	645982-	X X	M10 X 25
9	19M7784	SCREW	1		X X	M10 X 20 TOP L.H. HOLE
10	14M7299	FLANGE NUT	8		X X	M12
11	AH108299	RUBBER MOUNT	4		X X	
12	19M7788	SCREW	8		X X	M12 X 25
13	AH130595	STEP	1	-645200	X X	FOR SERVICE ONLY
14	03M7190	BOLT	4	-645200	X X	M10 X 20
15	19M7789	SCREW	4		X X	M12 X 30
16	14M7299	FLANGE NUT	4		X X	M12
17	H127679	SHIELD	1	-632703	X	(SUB AH132148)
	AH132148	SHIELD	1		X X	
18	24M7207	WASHER	3		X X	8.400 X 24 X 2 MM
19	37M7058	SCREW	3		X X	M8 X 20
20	H136158	LABEL	1	-656985	X X	(SUB H149480) (LEAPING DEER)
	H149480	LABEL	1		X X	(USE WITH H98111) (LEAPING DEER)
21	H98111	NUT	8		X X	
22	19M7546	CAP SCREW	2		X X	M16 X 150
23	H96690	SPACER	2		X X	16.662 X 31.750 X 28.956 MM (21/32" X 1-1/4" X 1.140")

7E19

OPERATOR'S STATION

CAB ROOF AND SUPPORTS
HP6726 -UN-22MAY97



HP6726

7E20

OPERATOR'S STATION

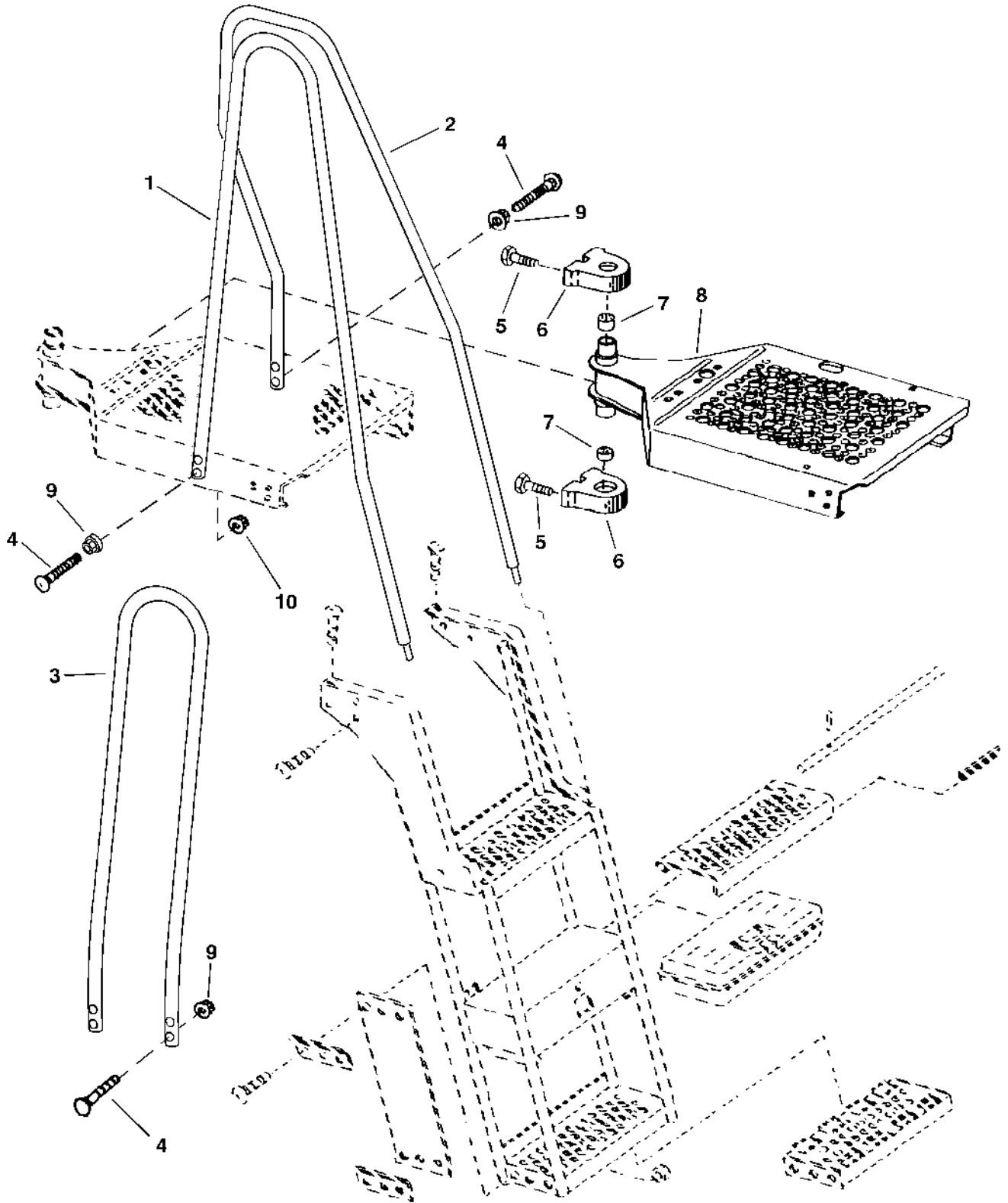
CAB ROOF AND SUPPORTS - CONTINUED

KEY	PART NO.	PART NAME	QTY	SERIAL NO.	S H 9 5 0 0	REMARKS
1	AH153796	ROOF	1		X X	(SUB FOR AH131424 OR AH135315)
2	EYEBOLT	1		X X	12 MM, FOR ROOF REMOVAL
3	19M7789	SCREW	2		X X	M12 X 30
4	24M7051	WASHER	2		X X	21 X 37 X 3 MM
5	H123991	SEALING WASHER	2		X X	
6	AH120541	SEAL	AR		X X	
7	H123995	SCREW	27		X X	
8	H143460	COVER	1		X X	(SUB FOR H130302)
9	H144472	SUPPORT	2		X X	(SUB FOR H123773)
10	H130301	COVER	2		X X	
11	AH124882	WIRING LEAD	2		X X	
12	H114038	SCREW	4		X X	
13	AH124881	SUPPORT	1	-636352	X	(SUB AH136557) FITS ONLY AH131424 ROOF
	AH136557	SUPPORT	1		X X	
14	H116188	SCREW	4		X X	
15	H130303	COVER	1		X X	
16	H123796	GROMMET	1		X X	
17	14M7296	FLANGE NUT	4		X X	M10
18	H123740	STUD	1	671442-	X X	

7E21

OPERATOR'S STATION

OPERATOR'S PIVOTING PLATFORM AND HANDRAILS
HP6739 -UN-23JUN97



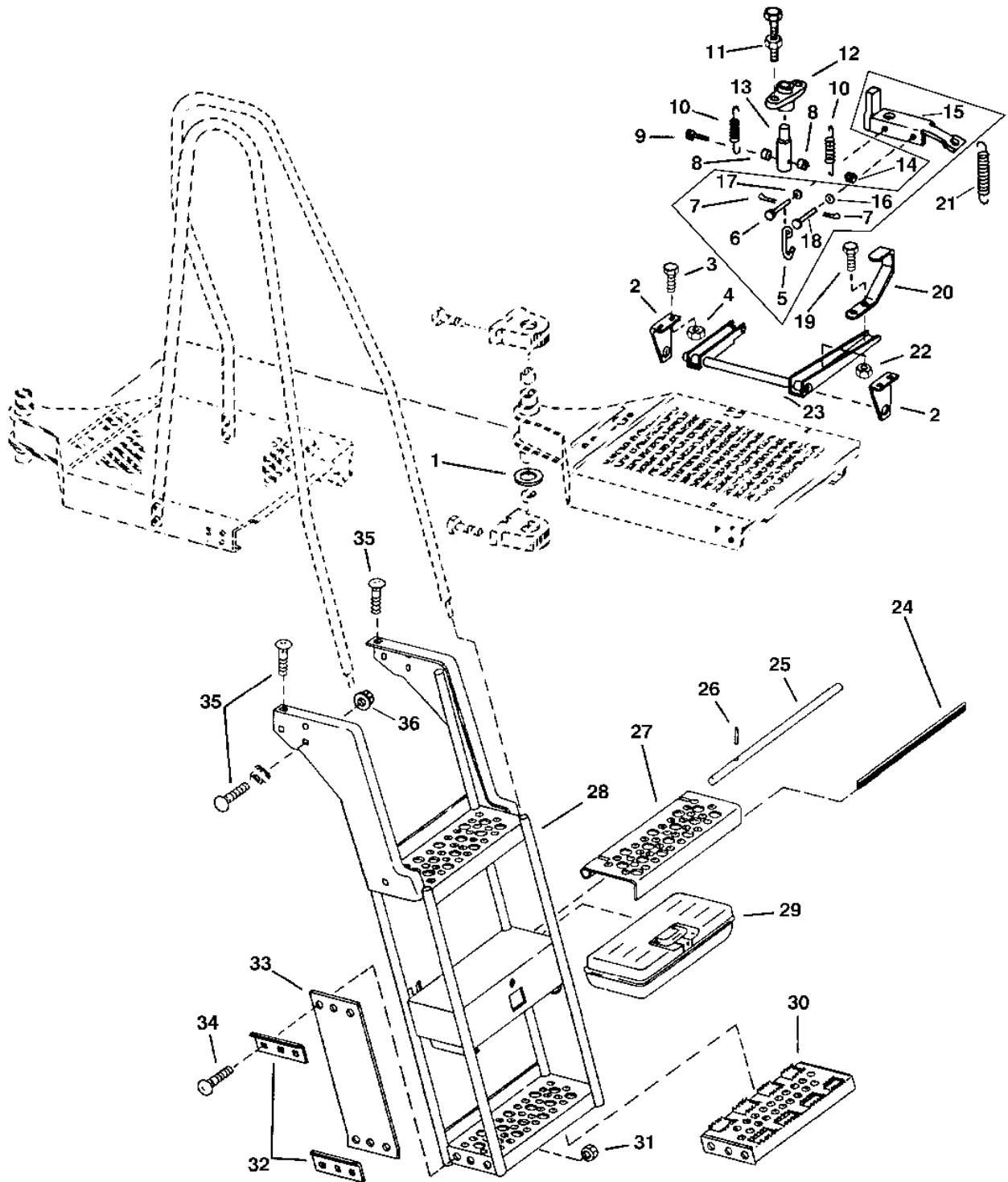
HP6739

OPERATOR'S PIVOTING PLATFORM AND HANDRAILS - CONTINUED

KEY	PART NO.	PART NAME	QTY	SERIAL NO. OR YEAR	S H 9 5 0 0 0 0	REMARKS
1	H136142	HANDRAIL	1	-27SE99	X	L.H. USE WITH AH133498
	H167173	HANDRAIL	1	28SE99-	X	
	H136143	HANDRAIL	1	-27SE99	X	L.H. USE WITH AH133499, AH133500 OR AH133350
	H167174	HANDRAIL	1	28SE99-	X	
2	AH131845	HANDRAIL	1	-27SE99	X	USE WITH AH133499
	AH160473	HANDRAIL	1	28SE99-	X	
	AH131851	HANDRAIL	1	-27SE99	X	USE WITH AH133500.
	AH160474	HANDRAIL	1	28SE99-	X	
	AH131852	HANDRAIL	1	-27SE99	X	USE WITH AH133501.
	AH160475	HANDRAIL	1	28SE99-	X	
	AH131844	HANDRAIL	1	-27SE99	X	USE WITH AH33498
	AH160472	HANDRAIL	1	28SE99-	X	
3	H131626	HANDRAIL	1	-27SE99	X X	L.H. UPPER
	AH160469	HANDRAIL	1	28SE99-	X X	
4	03M7196	BOLT	8		X X	M10 X 50
5	19M7792	SCREW	4		X X	M16 X 30
6	H129610	BUSHING	2		X X	
7	H111478	SLEEVE	2	-632900	X	
8	AH133498	EXTENSION	1	-27SE99	X X	810 MM EXT. WITH 30.5 X 32 TIRES WITH 165 MM AXLE SPACERS. WITH 100 MM WHEEL SPACERS. (SUB FOR AH131847)
	AH159185	EXTENSION	1	28SE99-	X X	
	AH133499	EXTENSION	1		X X	(SUB FOR AH131848) 940 MM EXT.
	AH133500	EXTENSION	1	-27SE99	X	(SUB FOR AH131849) 1260 MM EXT.
	AH159187	EXTENSION	1	28SE99-	X	
	AH133501	EXTENSION	1	-27SE99	X	(SUB FOR AH131850) 1390 MM EXT. (NO LONGER INCLUDES SECONDARY LATCH CATCH)
	AH159188	EXTENSION	1	28SE99-	X	
	AH157029	EXTENSION	1	-27SE99	X X	
	AH159186	EXTENSION	1	28SE99-	X X	
9	14M7400	LOCK NUT	8	-670500	X	M10
	14M7400	LOCK NUT	8	-671441	X	M10
10	14M7296	FLANGE NUT	2	670501-	X	M10
	14M7296	FLANGE NUT	2	671442-	X	M10
..	BH80671	COMPLETE GOODS/SHIP. BUNDLE	1			HANDRAIL CONVERSION (TO 1260)
..	BH80673	COMPLETE GOODS/SHIP. BUNDLE	1			HANDRAIL CONVERSION (810 MM TO 940 MM)
..	BH80672	COMPLETE GOODS/SHIP. BUNDLE	1			HANDRAIL CONVERSION (TO 1390 MM)

7E23

OPERATOR'S PLATFORM LADDER AND LATCH (-660200)
HP6505 -UN-15JUL96



HP6505

7E24

OPERATOR'S STATION

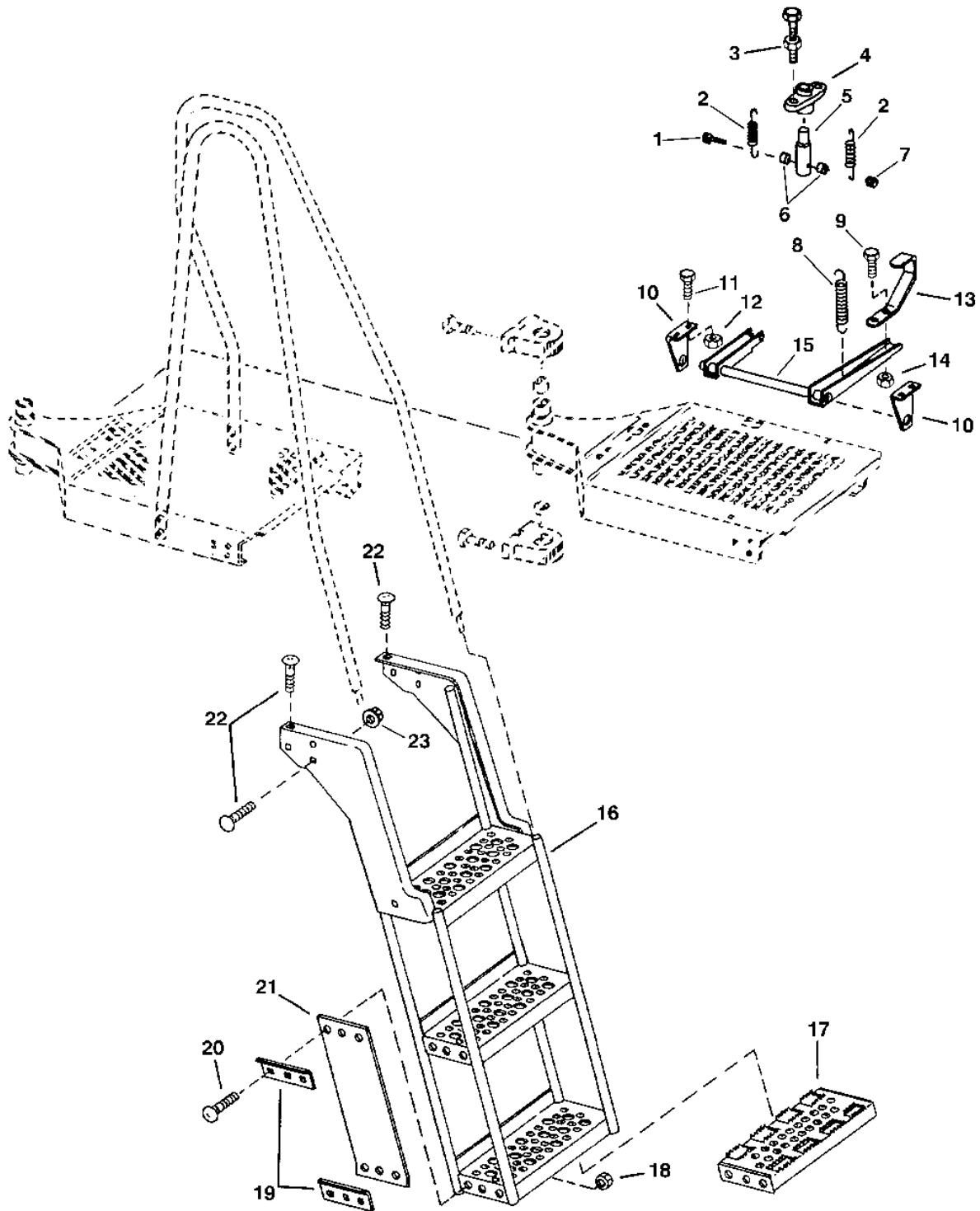
OPERATOR'S PLATFORM LADDER AND LATCH (-660220) - CONTINUED

KEY	PART NO.	PART NAME	QTY	SERIAL NO.	S H 9 5 0 0 0 0	REMARKS
1	AH109874	BEARING	1	-632900	X	
2	H129763	BRACKET	2		X X	
3	03M7251	BOLT	4		X X	M6 X 12
4	14M7303	FLANGE NUT	4		X X	M6
5	H137358	CONNECTOR	1		X	
6	45M7046	PIN	1	-640200	X	8 X 40 MM, (SUB B2290R) NO LONGER NEEDED
	B2290R	PIN	1	-640200	X	7.823 X 44.450 MM (0.308" X 1-3/4") NO LONGER NEEDED
7	11M7009	COTTER PIN	2	-640200	X	2 X 16 MM, NO LONGER NEEDED
8	28H1903	BUSHING	2		X X	9.246 X 13.716 X 19.050 MM (0.364" X 0.540" X 3/4")
9	19M7803	SCREW	AR		X X	M8 X 70
10	H137360	EXTENSION SPRING	2		X X	
11	03M7186	BOLT	2		X X	M8 X 30
	14M7396	LOCK NUT	2		X X	M8
12	H129761	BUSHING	1		X X	
13	H129760	PIN	1		X X	
14	14M7298	FLANGE NUT	1		X	M8
15	AH132147	LATCH	1	-640200	X	NO LONGER NEEDED
16	24M7088	WASHER	1	-640200	X	6.600 X 12 X 1.600 MM, NO LONGER NEEDED
17	24M7036	WASHER	1	-640200	X	9 X 16 X 1.600 MM, NO LONGER NEEDED
18	M88436	PIN	1	-640200	X	6.350 X 49.300 MM, NO LONGER NEEDED
19	03M7184	BOLT	2		X X	M8 X 20
20	H133514	LEVER	1		X X	
21	R60730	SPRING	1		X	NO LONGER NEEDED
22	14M7298	FLANGE NUT	AR		X	M8
23	AH128610	LATCH	1		X X	
24	ISOLATOR	1	-660200	X X	CUT 400 MM (16") FROM N191488, (USE WITH AH131848)
25	H133327	PIN	1	-660200	X X	7.920 X 488 MM (0.312" X 19.213")
26	11M7081	COTTER PIN	2	-660200	X X	2.500 X 20 MM (0.098" X 0.787")
27	H136012	STEP	1	-660200	X X	
28	AH131747	LADDER	1	-660200	X X	(SUB AH145678) WITH TOOLBOX OPENING
	AH165990	LADDER	1		X X	(SUB FOR AH145678) WITHOUT TOOLBOX OPENING
29	AH114877	TOOLBOX	1	-660200	X X	
30	H136011	STEP	1		X X	
31	14M7396	LOCK NUT	AR		X X	M8
32	H136127	PLATE	4		X X	
33	H136126	HANGER	2	-29SEP7	X X	(USE WITH AH133499) FOR SERVICE ONLY
34	03M7185	BOLT	12		X X	M8 X 25
35	03M7190	BOLT	8		X X	M10 X 20
36	14M7296	FLANGE NUT	8		X X	M10

7F1

OPERATOR'S STATION

OPERATOR'S PLATFORM LADDER AND LATCH (660201-)
HP6506 -UN-15JUL96



HP6506

7F2

OPERATOR'S STATION

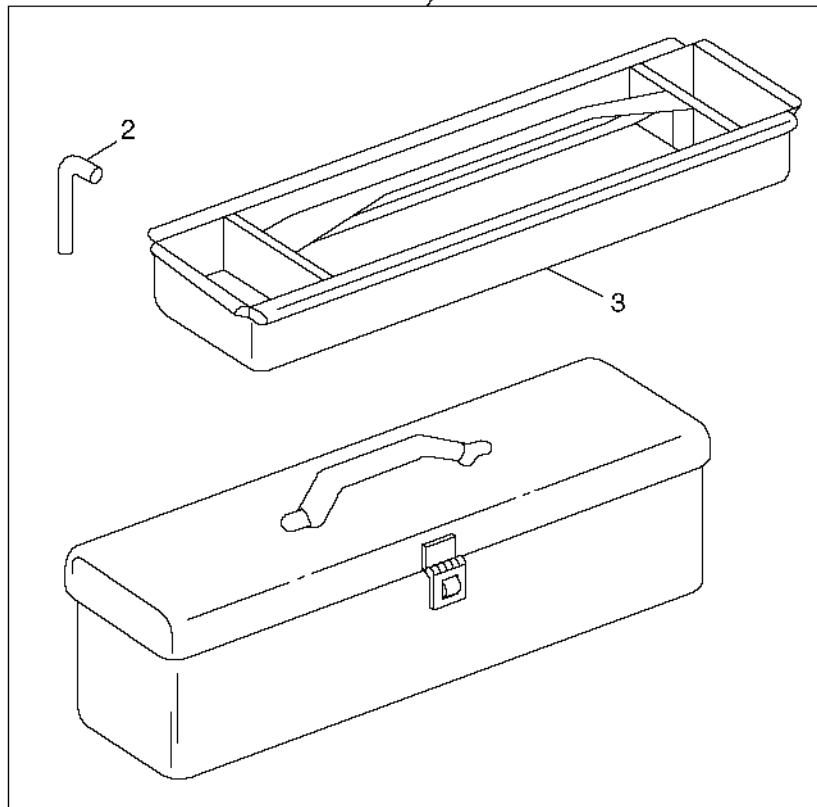
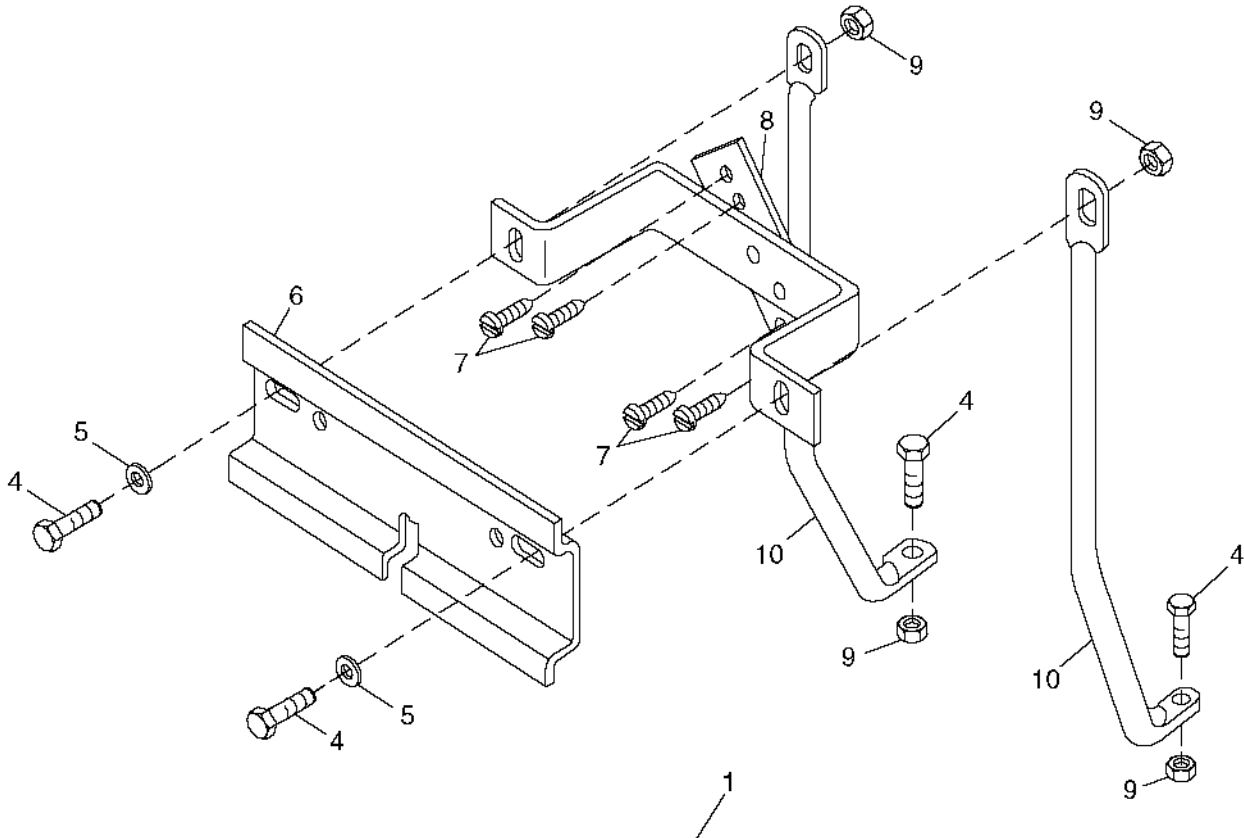
OPERATOR'S PLATFORM LADDER AND LATCH (660101-) - CONTINUED

KEY	PART NO.	PART NAME	QTY	SERIAL NO.	S H 9 5 0 0 0 0	REMARKS
1	19M7803	SCREW	AR		X X	M8 X 70
2	H137360	EXTENSION SPRING	2		X X	
3	03M7186	BOLT	2		X X	M8 X 30
	14M7396	LOCK NUT	2		X X	M8
4	H129761	BUSHING	1		X X	
5	H129760	PIN	1		X X	
6	28H1903	BUSHING	2		X X	
7	14M7298	FLANGE NUT	1		X X	
8	R60730	SPRING	1		X X	
9	03M7184	BOLT	2		X X	M8 X 20
10	H129763	BRACKET	2		X X	
11	03M7251	BOLT	4		X X	M6 X 12
12	14M7303	FLANGE NUT	4		X X	M6
13	H133514	LEVER	1		X X	
14	14M7298	FLANGE NUT	2		X X	M8
15	AH128610	LATCH	1		X X	
16	AH165990	LADDER	1		X X	(SUB FOR AH145678) WITHOUT TOOLBOX OPENING
17	H136011	STEP	1		X X	
18	14M7396	LOCK NUT	12		X X	M8
19	H136127	PLATE	4		X X	
20	03M7185	BOLT	12		X X	M8 X 25
21	H136126	HANGER	2		X X	(USE WITH AH133499)
22	03M7190	BOLT	8		X X	M10 X 20
23	14M7296	FLANGE NUT	8		X X	M10

7F3

OPERATOR'S STATION

TOOL BOX
(660201-)
HP8490 -UN-13JUL99



HP8490

7F4

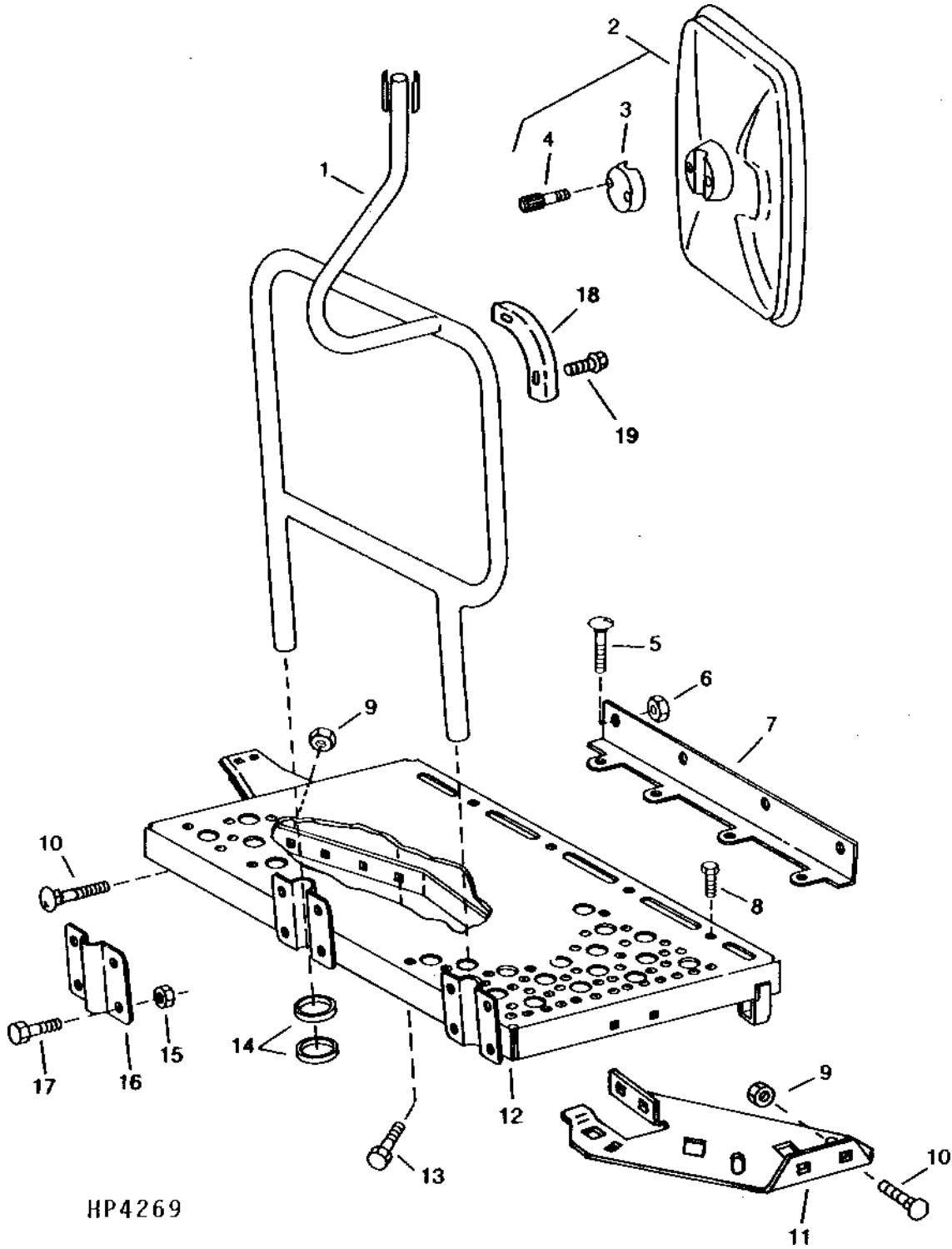
OPERATOR'S STATION

TOOL BOX - CONTINUED
(660201-)

KEY	PART NO.	PART NAME	QTY	SERIAL NO.	S H 9 5 0 0 0 0	REMARKS
1	AT22070	TOOLBOX	1		X X	
2	T23027	PIN	1		X X	
3	AT22073	HOLDER	1		X X	
4	19M7785	SCREW	4		X X	M10 X 25
5	24M7178	WASHER	2		X X	10.500 X 30 X 2.500 MM (0.413" X 1.181" X 0.098")
6	T23033	BRACKET	1		X X	
7	37M7058	SCREW	4		X X	M8 X 20
8	AH145157	BRACKET	1		X X	
9	14M7296	FLANGE NUT	4		X X	M10
10	H150951	BRACE	2		X X	
..	BH81052	COMPLETE GOODS/SHIP. BUNDLE	1		X X	TOOLBOX ASSEMBLY WITH TRAY AND BRACKET

7F5

CAB LEFT-HAND LANDING AND MIRROR (-650200)
HP4269 -UN-01JAN94



HP4269

7F6

OPERATOR'S STATION

CAB LEFT-HAND LANDING AND MIRROR - CONTINUED

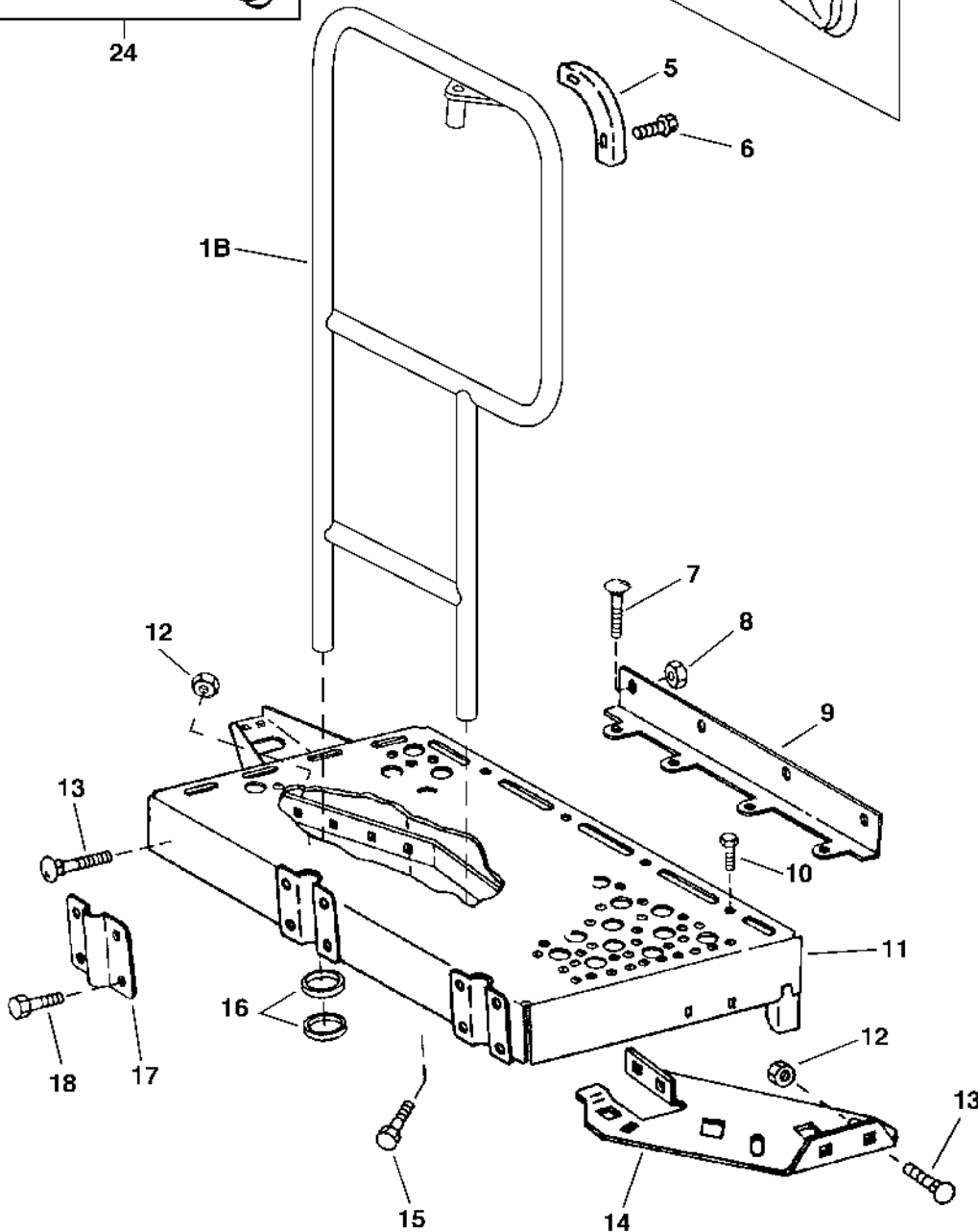
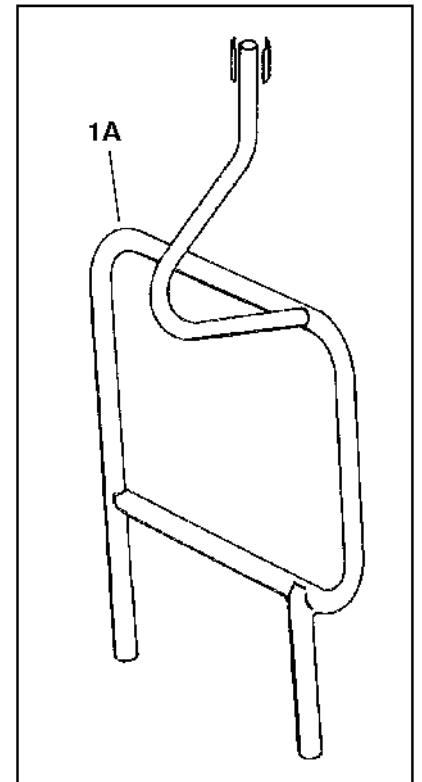
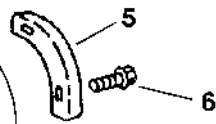
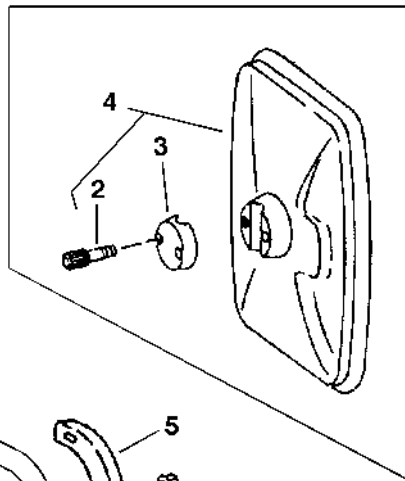
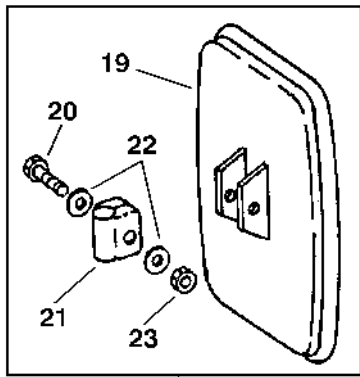
(-650200)

KEY	PART NO.	PART NAME	QTY	SERIAL NO.	S H 9 5 0 0 0 0	REMARKS
1	AH131843	RAIL	1		X X	
2	AZ31008	REAR VIEW MIRROR	1		X X	
	AZ42315	REAR VIEW MIRROR	1	-656066	X	(SUB AZ49140) (EXPORT)
	AZ49140	REAR VIEW MIRROR	1		X	(EXPORT)
3	PLATE	1		X X	
4	19M8505	SCREW	2		X X	M6 X 25
5	03M7183	BOLT	AR		X X	M8 X 16
6	14M7298	FLANGE NUT	AR		X X	M8
7	H130362	ANGLE	1		X X	
8	37M7058	SCREW	AR		X X	M8 X 20
9	14M7296	FLANGE NUT	AR		X X	M10
10	19M7784	SCREW	AR		X X	M10 X 20
11	H172944	PLATE	1		X X	(SUB FOR H134544)
12	AH131881	PLATFORM	1		X X	
13	19M7784	SCREW	AR		X X	M10 X 20
14	H136110	ISOLATOR	4		X X	
15	14M7303	FLANGE NUT	2		X X	M6
16	H136109	SUPPORT	2	-671882	X X	
	H161289	CLAMP	4	671883-		
17	19M7862	SCREW	4		X X	M6 X 20
18	AH122099	BUMPER	1		X X	
19	37M7046	SCREW	2		X X	M6 X 22

7F7

CAB LEFT-HAND LANDING AND MIRROR

(650201-)
HP6740 -UN-23JUN97



HP6740

7F8

OPERATOR'S STATION

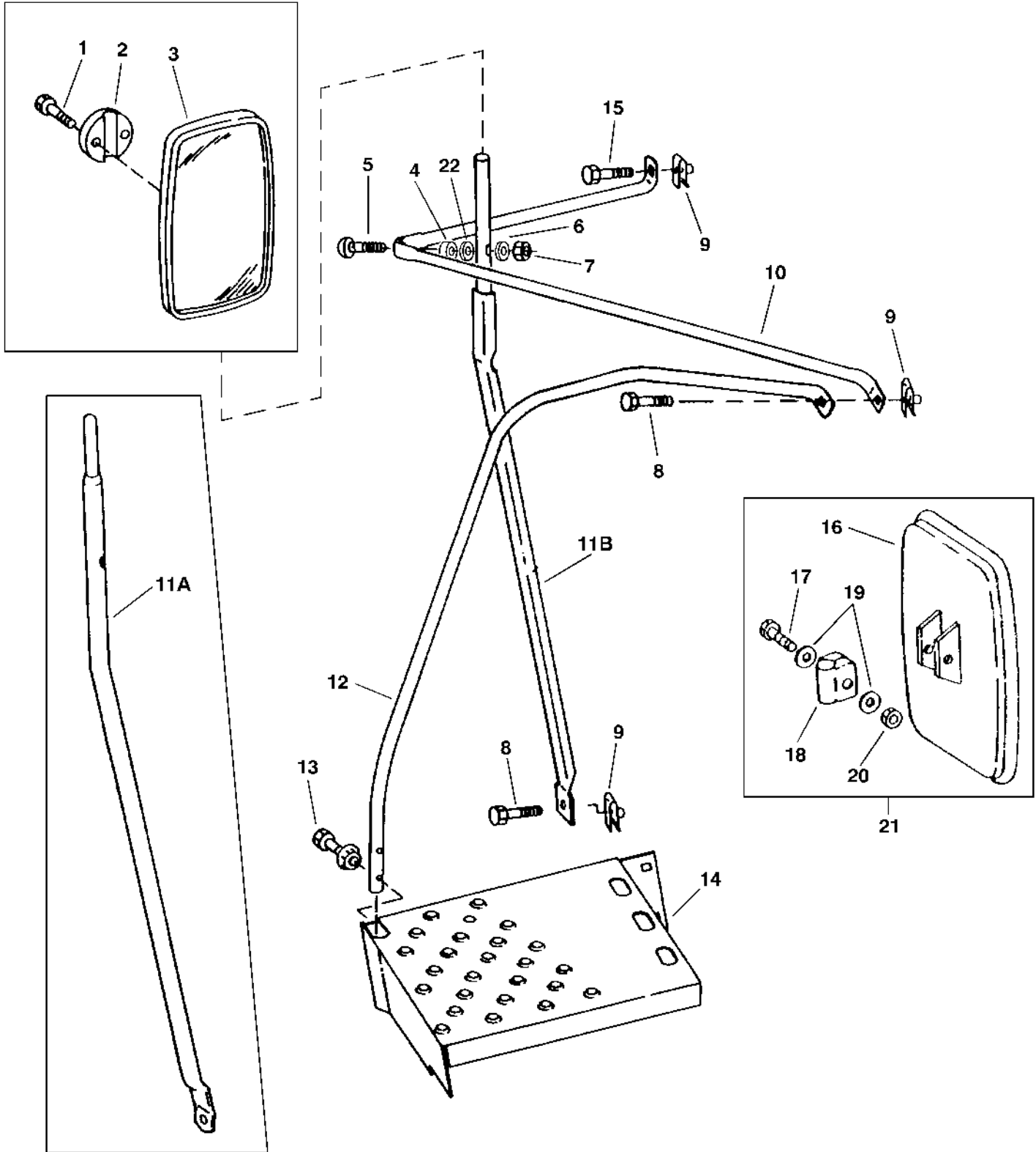
CAB LEFT-HAND LANDING AND MIRROR - CONTINUED
(650201-)

KEY	PART NO.	PART NAME	QTY	SERIAL NO.	S H 9 9 5 5 0 0 0 0	REMARKS
1	AH141804	RAIL	1	-27SE99	X X	
	AH160115	HANDRAIL	1	28SE99-	X X	
2	19M8505	SCREW	1	-651191	X X	M6 X 25
3	PLATE	1	-651191	X X	
4	AZ31008	REAR VIEW MIRROR	1	-651191	X X	
	AZ42315	REAR VIEW MIRROR	1	-656066	X X	(SUB AZ49140) (EXPORT)
	AZ49140	REAR VIEW MIRROR	1		X X	(EXPORT)
5	AH122099	BUMPER	1		X X	
6	37M7046	SCREW	2		X X	
7	03M7183	BOLT	AR		X X	M8 X 16
8	14M7298	FLANGE NUT	AR		X X	M8
9	H130362	ANGLE	1		X X	
10	37M7058	SCREW	AR		X X	M8 X 20
11	AH141812	PLATFORM	1		X X	
12	14M7296	FLANGE NUT	AR		X X	M10
13	19M7784	SCREW	AR		X X	M10 X 20
14	H172944	PLATE	1		X X	(SUB FOR H134544)
15	19M7784	SCREW	4		X X	M10 X 20
16	H136110	ISOLATOR	4		X X	
17	H136109	SUPPORT	2	-671882	X X	(SUB H161289)
	H161289	CLAMP	4	671883-	X X	
18	19M7862	SCREW	4		X X	M6 X 20
19	REAR VIEW MIRROR	1		X X	
20	BOLT	1		X X	
21	CLAMP	1		X X	
22	WASHER	1		X X	
23	NUT	1		X X	
24	AH142404	REAR VIEW MIRROR	1	651192-	X X	

7F9

OPERATOR'S STATION

CAB LANDING AND MIRROR (R.H.)
HP6741 -UN-21JAN98



HP6741

7F10

OPERATOR'S STATION

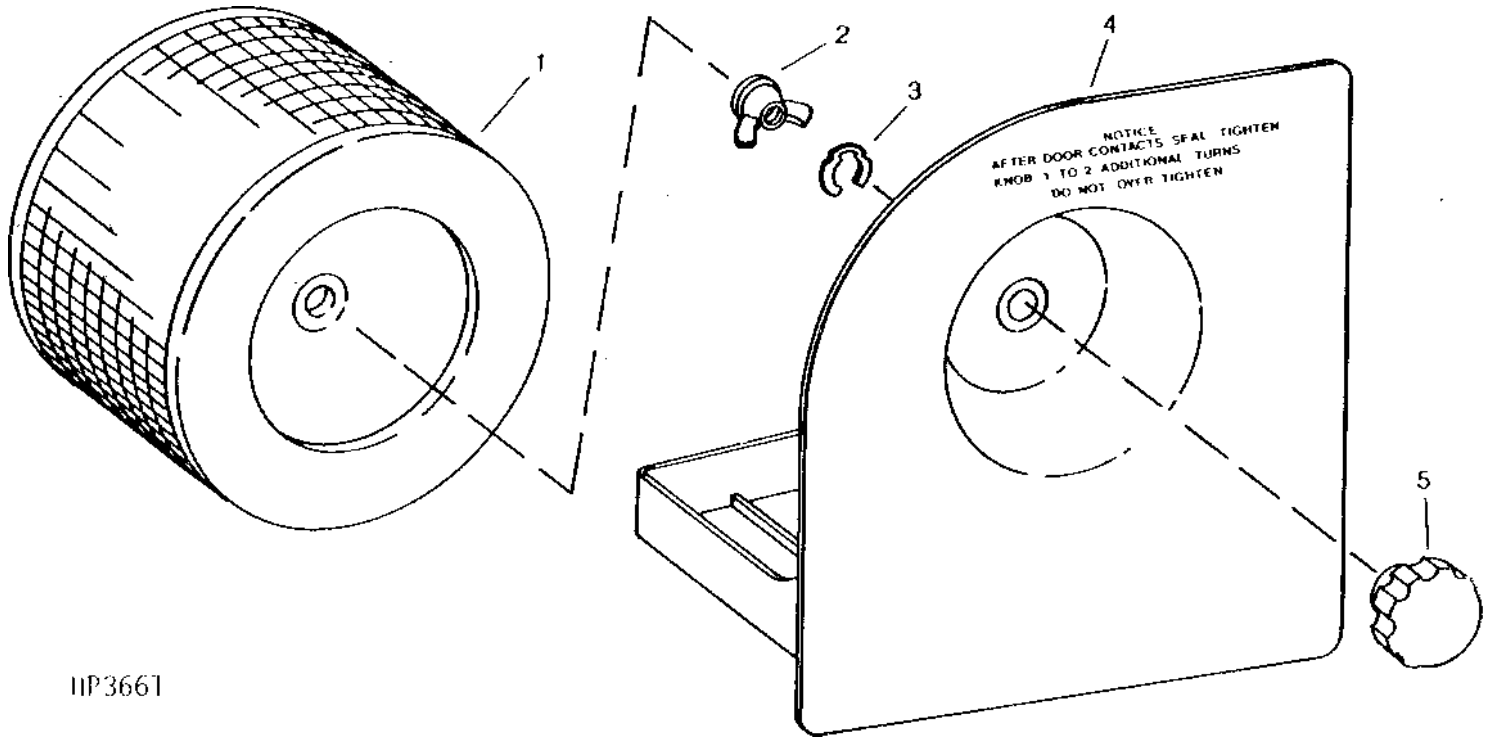
CAB LANDING AND MIRROR (R.H.) - CONTINUED

KEY	PART NO.	PART NAME	QTY	SERIAL NO.	S H 9 5 0 0	REMARKS
1	19M8505	SCREW	2		X X	M6 X 25
2	PLATE	1		X X	(ORDER AH142404)
3	REAR VIEW MIRROR	1		X X	(ORDER AH142404)
4	AZ31008	REAR VIEW MIRROR	1	-651183	X X	(SUB AH142404)
	AH142404	REAR VIEW MIRROR	1		X X	
	AZ42315	REAR VIEW MIRROR	1	-656595	X	EXPORT
	AZ49140	REAR VIEW MIRROR	1		X	
5	03M7195	BOLT	1		X X	M10 X 45
	19M7805	SCREW	1	670501-	X X	M10 X 1.5 X 45
6	24M7178	WASHER	1		X X	10.500 X 30 X 2.500 MM (0.413" X 1.181" X 0.098")
7	14M7296	FLANGE NUT	1		X X	M10
8	19M7786	SCREW	3		X X	M10 X 30
9	H137447	NUT	3		X X	
10	H134724	SUPPORT	1		X X	
11A	H134723	SUPPORT	1	-643457	X	
11B	AH137725	SUPPORT	1	-643458	X	
	CC25449	SPACER	1	5JAN98-	X X	
	H162850	BUSHING	1	5JAN98-	X X	
	H163409	SUPPORT	1	5JAN98-	X X	
	19M7790	SCREW	1	5JAN98-	X X	
12	H134536	RAIL	1		X X	
13	03M7216	BOLT	2		X X	M8 X 50, USE WITH 940 MM EXTENSION
	19M7800	SCREW	2		X X	M8 X 50, USE WITH 1 260 MM EXTENSION
	14M7396	LOCK NUT	2		X X	M8
14	AH130586	SHIELD	1		X X	SERVICE ONLY
15	19M7805	SCREW	1		X X	M10 X 45
16	REAR VIEW MIRROR	1		X X	
17	BOLT	1		X X	
18	CLAMP	1		X X	
19	WASHER	1		X X	
20	NUT	1		X X	
21	AH142404	REAR VIEW MIRROR	1		X X	

7F11

OPERATOR'S STATION

CAB AIR FILTER AND HOUSING
HP3661 -UN-01JAN94



HP3661

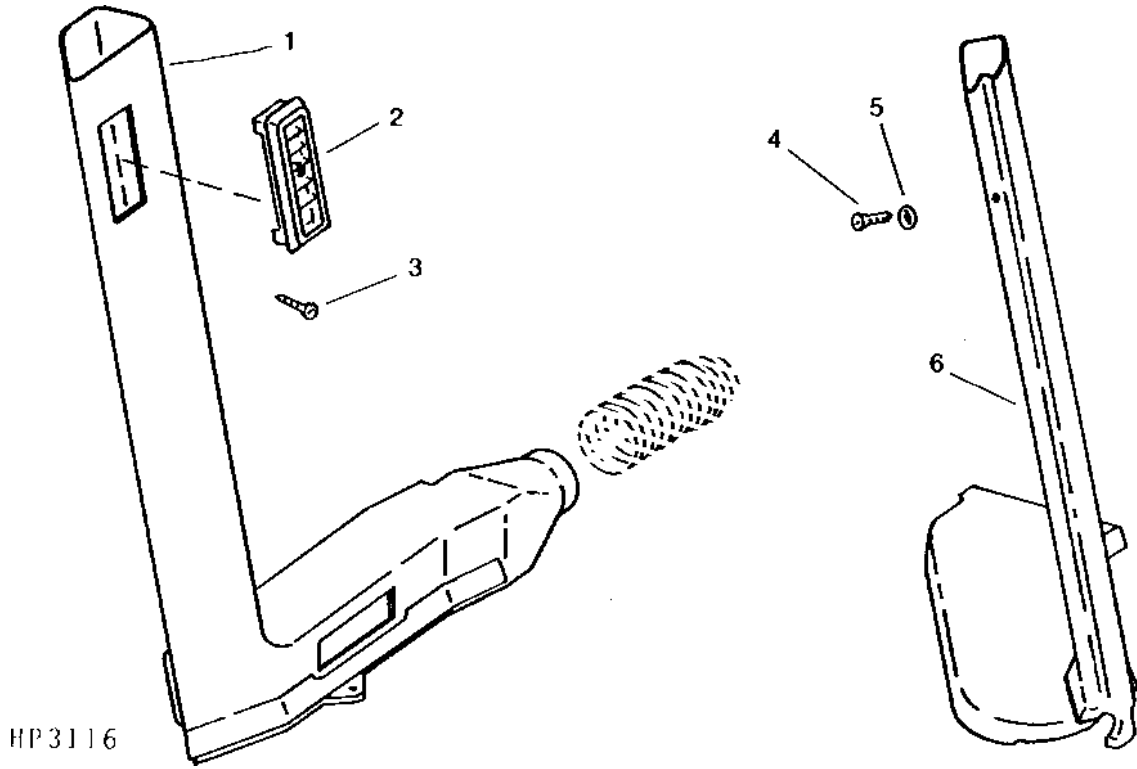
KEY	PART NO.	PART NAME	QTY	SERIAL NO.	S H 9 5 0 0	REMARKS
1	AH115833	AIR FILTER	1		X X	
2	AH132783	NUT	1		X X	M10, (SUB FOR AH131975)
3	R58806	SNAP RING	1		X X	
4	AH120419	DOOR	1		X X	DECAL IS NOW EMBOSSED RIGHT ON DOOR
5	AH120446	KNOB	1		X X	
..	H140590	LABEL	1	-632322	X X	NOT NEEDED, INFO EMBOSSED ON DOOR
..	H150119	LABEL	1	651650-	X X	"CHECK PRECLEANER AND PRECLEANER OPENING IN FLOOR (50 HRS)"
..	H158052	LABEL	1	15AP96-	X	UKRANIAN ONLY
..	H158047	LABEL	1	15AP96-	X	UKRANIAN ONLY

7F12

OPERATOR'S STATION

AIR CONDITIONING AND HEATER DUCTS

HP3116 -UN-01JAN94

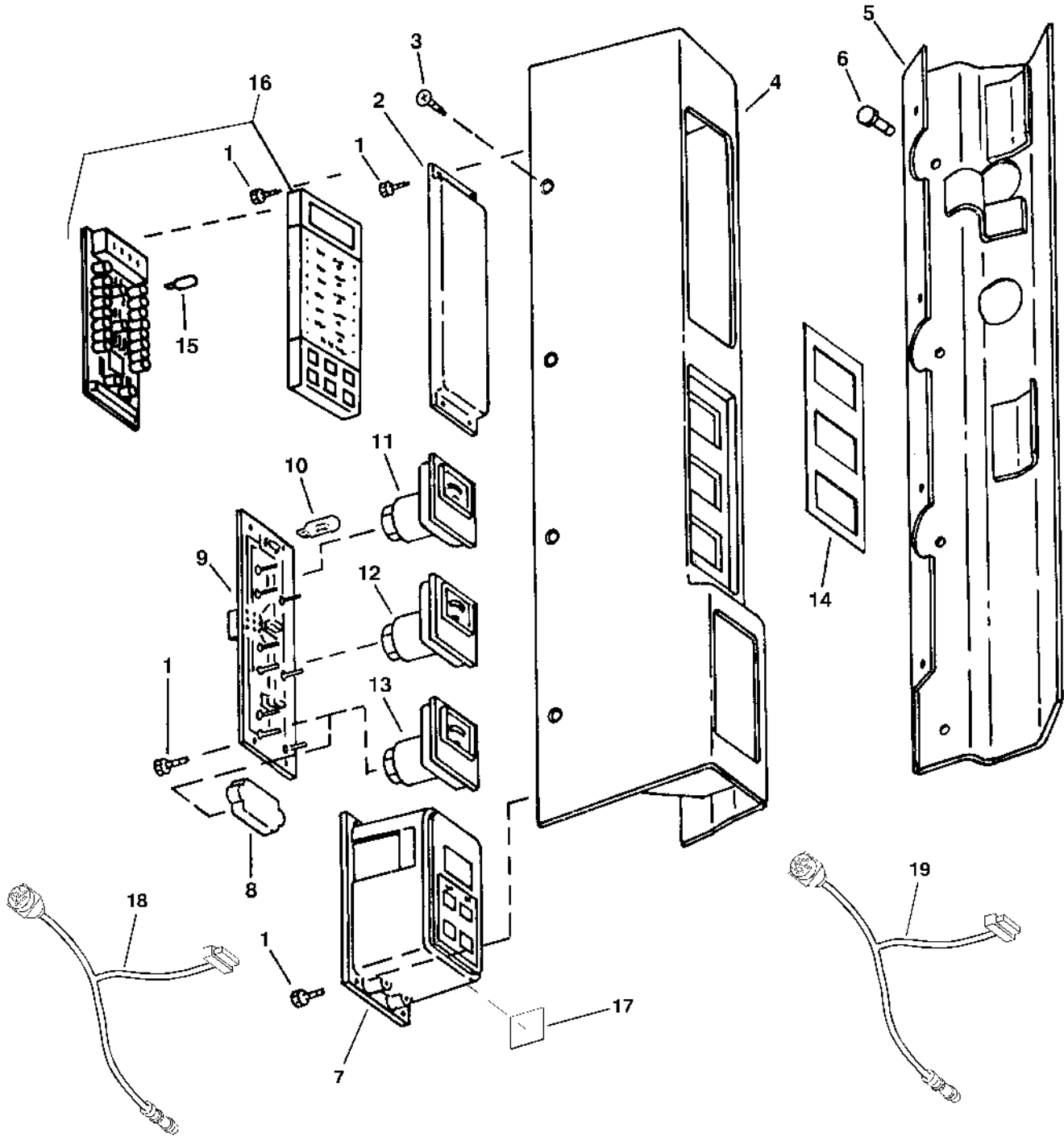


KEY	PART NO.	PART NAME	QTY	SERIAL NO.	S H 9 9 5 5 0 0 0 0	REMARKS
1	H129553	HOUSING	1		X X	
2	AH134522	GRILLE	6		X X	
3	37M7160	SCREW	AR		X X	M6 X 16
4	H165691	SCREW	AR		X X	M6 X 20, (SUB FOR H131591 OR H168780)
5	H91315	WASHER	AR		X X	5.842 X 14.224 X 2.540 MM (0.230" X 0.560" X 0.100")
6	H130515	AIR DUCT	1		X X	

7F13

OPERATOR'S STATION

CAB POST INSTRUMENT PANEL
HP7510 -UN-06MAY98



HP7510

7F14

OPERATOR'S STATION

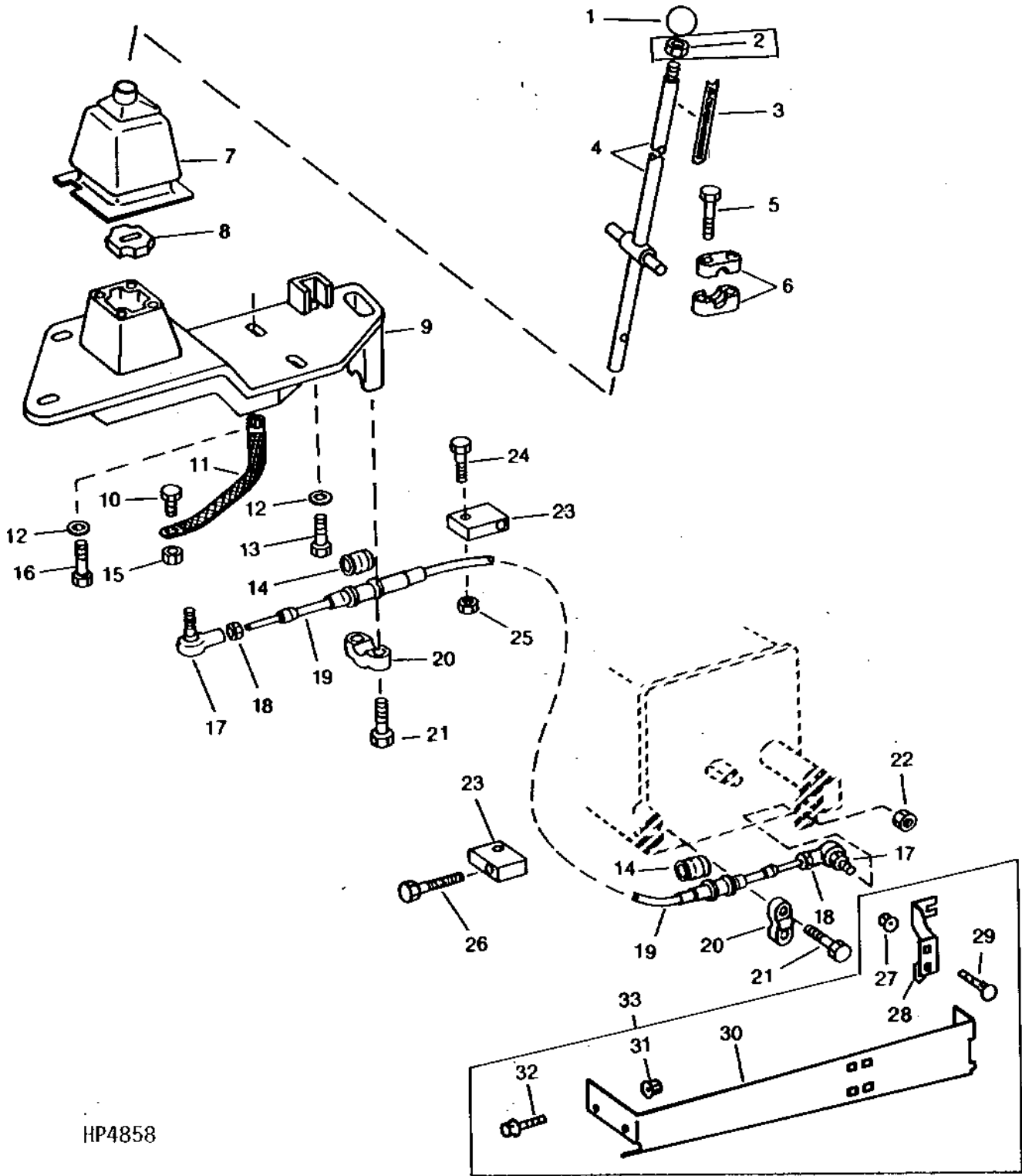
CAB POST INSTRUMENT PANEL - CONTINUED

KEY	PART NO.	PART NAME	QTY	SERIAL NO.	S H 9 5 0 0	REMARKS
1	21M7268	SCREW	AR		X X	M3 X 6
2	H130058	PANEL	1		X X	USE WITHOUT DATA CENTER
3	H130195	SCREW	AR	-667170	X X	M5 X 12
	H158579	SCREW	4	667171-	X X	M5 X 12
4	H124222	PANEL	1	-643087	X	(SUB AH140609)
	AH140609	PANEL	1		X X	
5	AH120570	BRACKET	1		X X	
6	37M7089	SCREW	AR		X X	M6 X 12
7	AH163526	KIT	1		X X	(SUB FOR AH128015, AH136006, AH139889, AH141791, AH142327, AH142490, AH143068, AH147555 OR AH159984) (INCLUDES AH159349 DUAL TACHOMETER, AH144684 LABEL KIT, RE151221 HARNESS AND INSTRUCTIONS)
8	H129686	COVER	1		X X	USE ONLY WITHOUT HARVESTRAK
9	AH127572	CIRCUIT BOARD	1	-650200	X X	(SUB AH141984) GAUGE BOARD
	AH141984	CIRCUIT BOARD	1		X X	
10	AA27536	BULB	3		X X	
11	AH120444	GAUGE	1		X X	FOR FUEL
12	AH120443	TEMPERATURE GAUGE	1	-652128	X	(SUB AH139129) ENGINE
	AH139129	TEMPERATURE GAUGE	1		X X	ENGINE
	AH148354	TEMPERATURE GAUGE	1	666038-	X X	ENGINE
13	AH120445	GAUGE	1		X X	HARVESTRAK
14	H145417	DECAL	1		X X	GAUGE GRAPHICS DECAL
15	AH108380	BULB	20		X X	
16	AH145565	KIT	1	660201-662267	X X	(SUB AH148192) COMBINE DATA CENTER, INCLUDES LABELS AND INSTRUCTIONS
	AH148192	KIT	1	29SEP7-	X X	COMBINE DATA CENTER, INCLUDES LABELS AND INSTRUCTIONS, USE ON MACHINES PRIOR TO SERIAL NO. 675101 ONLY
17	R133617	LABEL	1	29SEP7-	X X	
18	AH155577	WIRING HARNESS	1	29SEP7-	X X	
19	AH155928	WIRING HARNESS	1	3NOV97-	X X	
..	BH81356	COMPLETE GOODS/SHIP. BUNDLE	1		X X	DIGITAL CONCAVE INDICATOR

7F15

OPERATOR'S STATION

GEARSHIFT LEVER AND LINKAGE
HP4858 -UN-01JAN94



HP4858

7F16

OPERATOR'S STATION

GEARSHIFT LEVER AND LINKAGE - CONTINUED

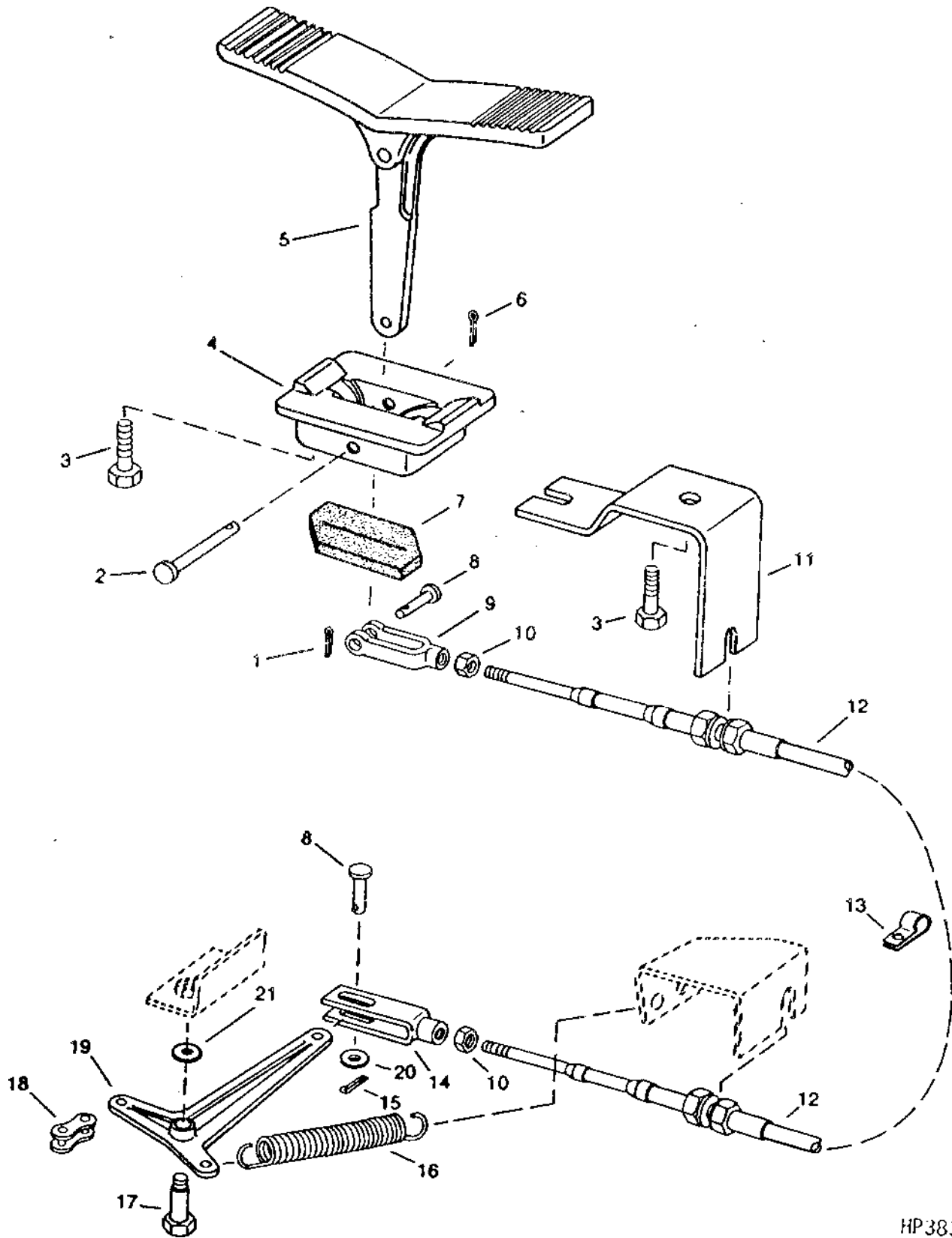
KEY	PART NO.	PART NAME	QTY	SERIAL NO.	S H 9 9 5 5 0 0 0 0	REMARKS
1	H125518	KNOB	1		X X	USE TY9373 OR TY9478 OR TY9371 TO SECURE
2	14M7433	NUT	1	-636036	X	M10, NO LONGER NEEDED
3	H149068	LABEL	1	-6MAY96	X X	(SUB FOR H134767) BRAKE
4	AH138707	ROD	1		X X	(SUB FOR AH135323)
5	19M8318	SCREW	4		X X	M8 X 45
6	H131040	BEARING	4		X X	
7	H131041	BOOT	1		X X	
8	H133660	SEAL	1		X X	
9	H133636	HOUSING	1		X X	
10	19M7788	SCREW	1		X X	M12 X 25
11	AH125010	GROUND CABLE	1		X X	
12	24H1296	WASHER	5		X X	11/32" X 1-3/8" X 0.134"
13	19M8319	SCREW	1		X X	M8 X 50
14	H133662	ISOLATOR	2		X X	
15	14M7299	FLANGE NUT	1		X X	M12
16	19M7867	SCREW	4		X X	M8 X 25
17	AH125958	BALL JOINT	2		X X	
18	14M7274	NUT	2		X X	M10
19	AH128357	CABLE	1		X X	
20	H133047	CLAMP	2		X X	
21	19M8291	SCREW	4		X X	M8 X 35
22	14M7296	FLANGE NUT	1		X X	M10
23	H112162	CLAMP	4	-642578	X	
	AH77724	CLIP	3	642579-	X X	
24	19M7799	SCREW	1	-642578	X	M8 X 45
	19M7867	SCREW	1	642579-	X X	M8 X 25
25	14M7298	FLANGE NUT	1		X X	M8
26	37M7149	SCREW	3	-642578	X	M8 X 50
	37M7058	SCREW	3	642579-	X X	M8 X 20
27	14M7400	LOCK NUT	2		X X	M10
28	BRACKET	1		X X	INC. IN AH138329 KIT
29	03M7190	BOLT	2		X X	M10 X 20
30	GUARD	1		X X	INC. IN AH138329 KIT
31	14M7401	LOCK NUT	1		X X	M12
32	19M7788	SCREW	1		X X	M12 X 25
33	AH138329	KIT	1	638058-	X X	
..	TY9370	ADHESIVE	1		X X	6 OZ. MEDIUM STRENGTH (CANADA NUMBER TY9477)
..	TY9373	GASKET	1		X X	
..	TY9478	ADHESIVE	1		X X	
..	TY9371	ADHESIVE	1		X X	6 ML HIGH STRENGTH

7F17

OPERATOR'S STATION

FEEDER HOUSE REVERSER FOOT CONTROL

HP3833 -UN-01JAN94



HP3833

7F18

OPERATOR'S STATION

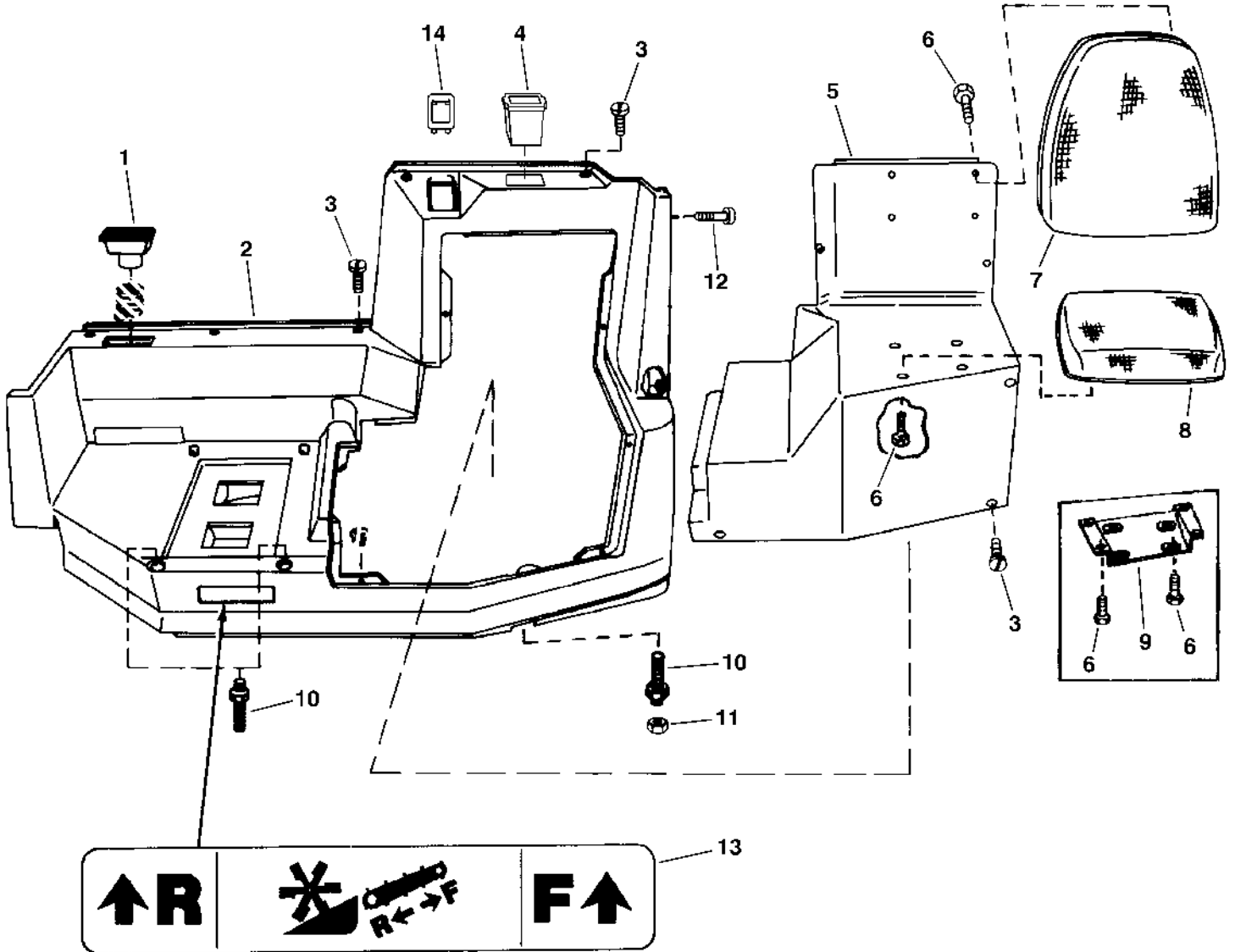
FEEDER HOUSE REVERSER FOOT CONTROL - CONTINUED

KEY	PART NO.	PART NAME	QTY	SERIAL NO.	S H 9 5 0 0	REMARKS
1	11M7082	COTTER PIN	1		X X	2.500 X 25 MM
2	R65569	PIN	1		X X	9.398 X 49.479 MM (0.370" X 1.948")
3	19M7866	SCREW	4		X X	M8 X 20
4	H134489	BEZEL	1		X X	
5	H134488	PEDAL	1		X X	
6	11M7081	COTTER PIN	1		X X	2.500 X 20 MM
7	H133210	SEAL	1		X X	
8	T16193	PIN	1		X X	6.248 X 29.362 MM (0.246" X 1-5/32")
9	H130646	YOKE	1		X X	
10	14M7273	NUT	2		X X	M8
11	H133208	SUPPORT	1		X X	
12	AH128452	PUSH PULL CABLE	1		X X	
13	R73384	CLAMP	1		X X	
14	AH127383	YOKE	1		X X	
15	11M7082	COTTER PIN	1		X X	2.500 X 25 MM
16	H84948	SPRING	1		X X	
17	H127749	BOLT	1		X X	M12 X 45
18	AE23791	CHAIN LINK	1		X X	
19	H140836	BELLCRANK	1		X X	(SUB FOR H127747)
20	24M7054	WASHER	1		X X	6.400 X 12 X 1.600 MM
21	24M7047	WASHER	1		X X	13 X 24 X 2.500 MM

7F19

OPERATOR'S STATION

SEAT SHROUDS AND TRAINING SEAT
HP7237 -UN-04DEC97



HP7237

7F20

OPERATOR'S STATION

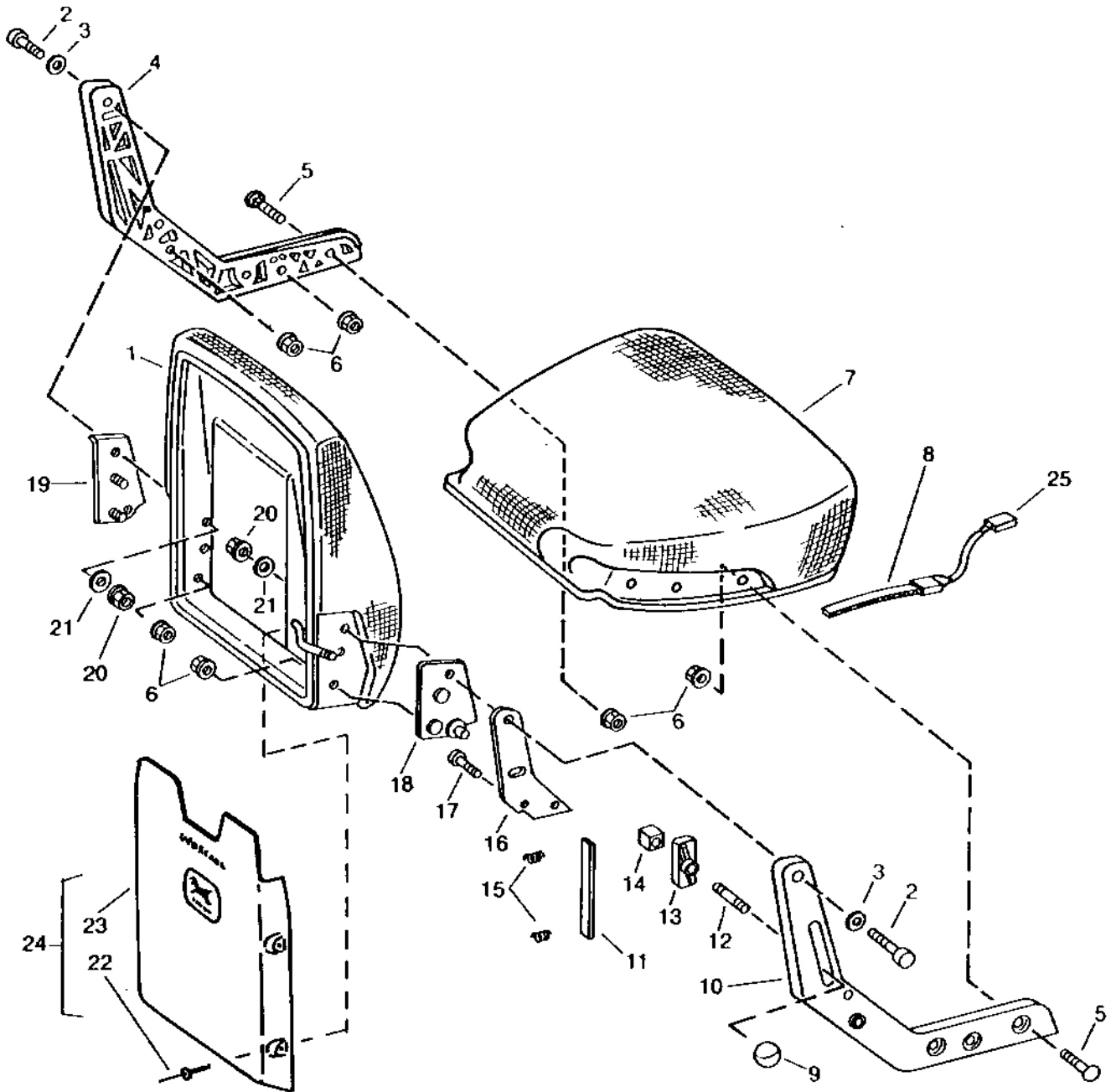
SEAT SHROUDS AND PASSENGER SEAT - CONTINUED

KEY	PART NO.	PART NAME	QTY	SERIAL NO.	S H 9 5 0 0	REMARKS
1	AH134724	BOX	1		X X	
2	AH145673	CONSOLE	1	-672682	X X	(SUB FOR AH131403)
	AH161929	CONSOLE	1	672683-	X X	(SUB FOR AH147537 OR AH148959)
3	H165691	SCREW	10		X X	M6 X 20, (SUB FOR H131591 OR H168780)
4	H116359	PAN	1	-29SE97	X X	
	H168436	PAN	1	29SE97-	X X	(SUB FOR H162048)
5	H125459	COVER	1	-4AUG97	X X	(SUB H153880)
6	19M8331	CAP SCREW	AR		X X	M8 X 20
7	AH108389	SEAT	1	-25MAR	X X	
	AH147066	SEAT	1	25MAR-19MAY7		
	AH154065	SEAT	1	19MAY7-	X X	
8	AH138111	SEAT	1		X X	(SUB FOR AH108388)
9	AH125541	BRACKET	1	-640200	X	NO LONGER REQUIRED
10	H123740	STUD	6	-10JU97	X X	
	H150455	STUD	6	10JU97-	X X	
11	14M7296	FLANGE NUT	4		X X	M10
12	H132451	CAP SCREW	3		X X	M6 X 50
13	H137823	PANEL	1		X X	FEEDER HOUSE REVERSER DECAL - FORWARD, REVERSE
14	H161091	BEZEL	1	4AUG97-	X X	

7F21

OPERATOR'S STATION

OPERATOR'S SEAT AND BACKREST
HP3132 -UN-01JAN94



HP3132

7F22

OPERATOR'S STATION

OPERATOR'S SEAT AND BACKREST - CONTINUED

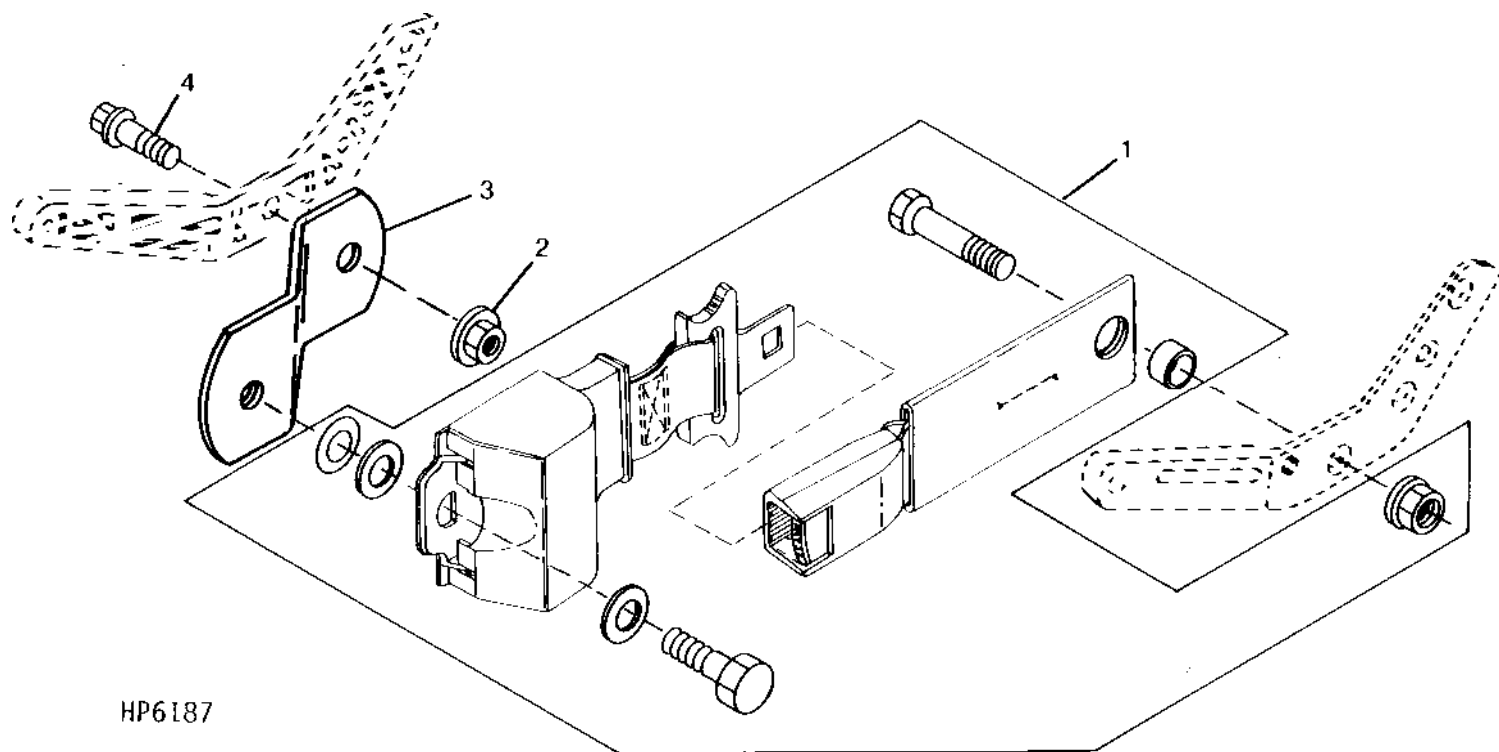
KEY	PART NO.	PART NAME	QTY	SERIAL NO.	S H 9 5 0 0 0 0	REMARKS
1	AR71107	CUSHION	1		X X	
2	R59019	SCREW	2		X X	9.525 X 41.402 MM (3/8" X 1.630")
3	T519T	WASHER	2		X X	12.700 X 19.050 X 0.381 MM (1/2" X 3/4" X 0.015")
4	R89143	SUPPORT	1		X X	
5	R59015	GANG BOLT	4		X X	9.525 X 31.750 MM (3/8" X 1-1/4")
6	N10215	LOCK NUT	8		X X	9.525 MM (3/8")
7	AH145065	SEAT	1		X X	(SUB FOR AN192773)
8	AH127662	SWITCH	1		X X	
9	R60458	KNOB	1		X X	
10	R89142	SUPPORT	1		X X	
11	R59009	REINFORCEMENT	1		X X	
12	R59012	WELD STUD	1		X X	
13	R105581	ADJUSTER	1		X X	(SUB FOR R59010)
14	R59018	BUSHING	1		X X	
15	R31890	SPRING	2		X X	
16	R59011	PLATE	1		X X	
17	37H120	SCREW	1		X X	0.164" X 1/2"
18	AR71108	PLATE	1		X X	
19	AR71109	PLATE	1		X X	
20	H99923	LOCK NUT	2		X X	9.525 MM (3/8")
21	R53665	WASHER	2		X X	10.312 X 17.450 X 1.524 MM (13/32" X 11/16" X 0.060")
	24H1237	WASHER	1	640210-	X X	25/64" X 7/8" X 0.060"
	24H1305	WASHER	1		X X	13/32" X 13/16" X 0.065"
22	RIVET	1		X X	
23	HOLDER	1		X X	
24	RE13541	KIT	1		X X	
25	R78053	PIN CONTACT CONNECTOR BODY	1		X X	(PKG OF 3)
	R78063	TERMINAL NIPPLE	1		X X	(PKG OF 40)
	R78058	PIN CONTACT	1		X X	(PKG OF 40)
..	RE12049	CUSHION	1		X X	INCLUDES MANUAL HOLDER

7F23

OPERATOR'S STATION

OPERATOR'S SEAT SEATBELT

(665201-)
 HP6187 -UN-18OCT95



HP6187

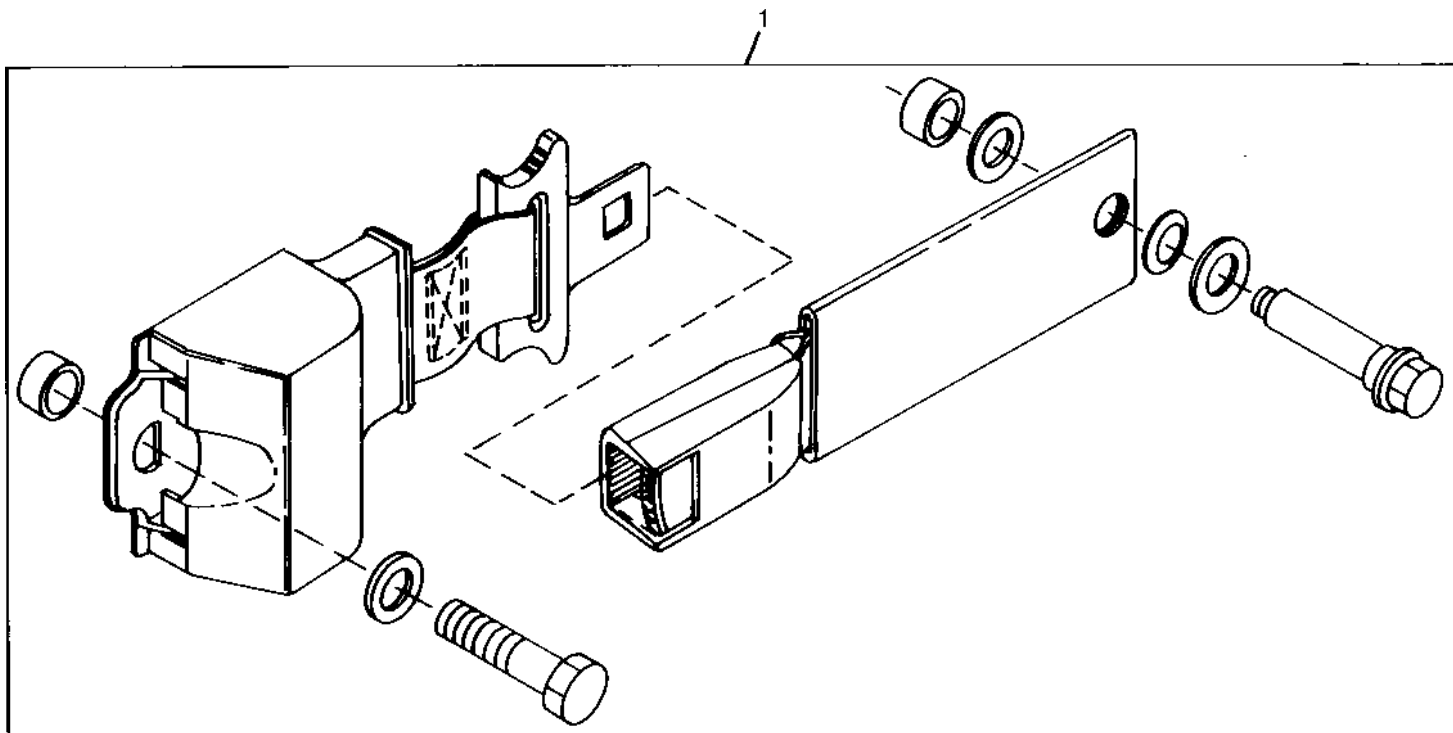
KEY	PART NO.	PART NAME	QTY	SERIAL NO.	S H 9 5 0 0 0 0	REMARKS
1	AH146742	SEAT BELT	1		X X	
2	14M7400	LOCK NUT	1		X X	M10
3	AH147030	BRACKET	1		X X	(MOUNTING)
4	19M7835	SCREW	1		X X	M10 X 35
..	BH81159	COMPLETE GOODS/SHIP. BUNDLE	1		X X	RETROFIT SEAT BELT KIT

7F24

OPERATOR'S STATION

TRAINING SEAT SEATBELT

(665201-)
 HP6188 -UN-03OCT95



HP6188

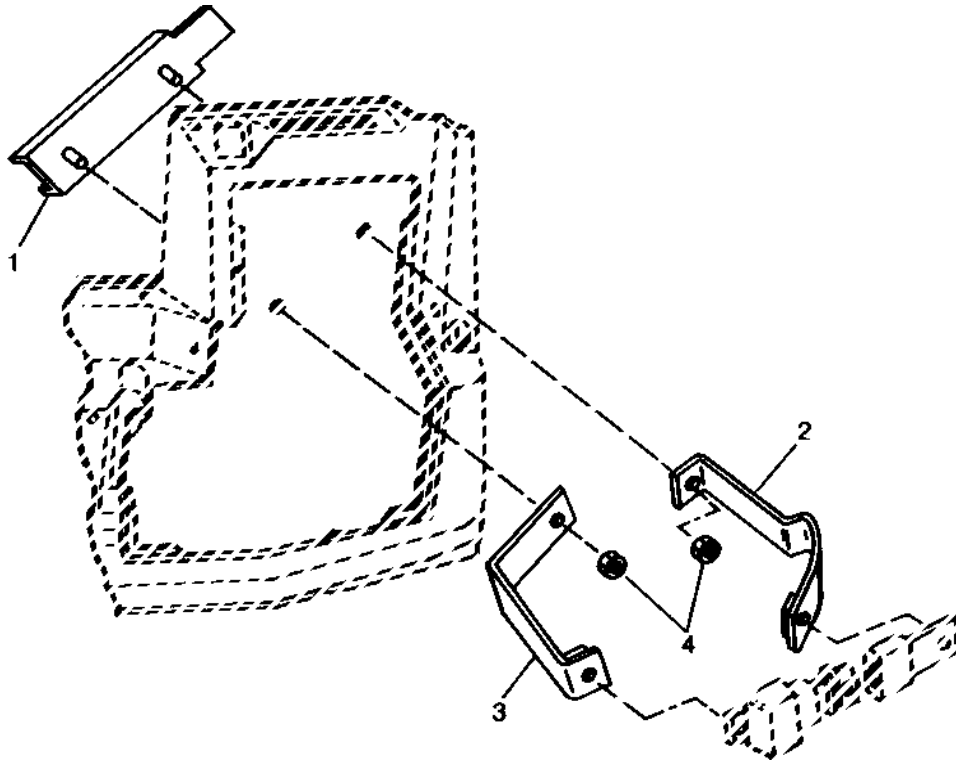
KEY	PART NO.	PART NAME	QTY	SERIAL NO.	S H 9 5 0 0	REMARKS
1	AH147153	SEAT BELT	1		X X	
..	BH81159	COMPLETE GOODS/SHIP. BUNDLE	1		X X	RETROFIT SEAT BELT KIT

7G1

OPERATOR'S STATION

**RETROFIT SEAT BELT KIT
(FOR ALL MACHINES PRIOR TO 1996 MODEL YEAR)**

HP6265 -UN-23JAN96



HP6265

S
H
9 9
5 5
0 0
0 0

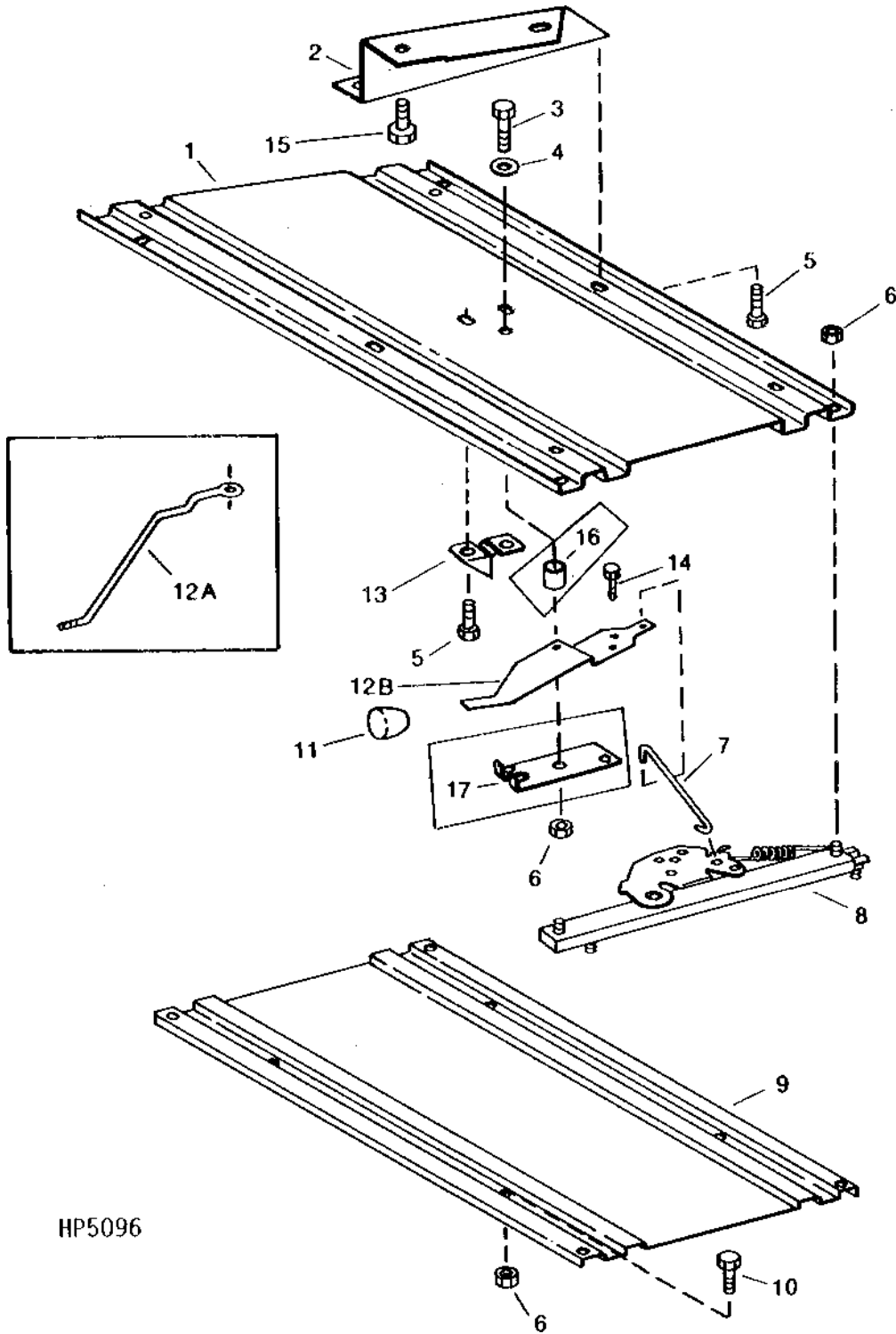
KEY	PART NO.	PART NAME	QTY	SERIAL NO.	REMARKS
1	AH148225	BRACKET	1	X X	
2	AH148227	BRACKET	1	X X	L.H.
3	AH148226	BRACKET	1	X X	R.H.
4	14M7296	FLANGE NUT	2	X X	M10

MEMORANDA

7G2

OPERATOR'S STATION

SEAT ADJUST FORE-AND-AFT
HP5096 -UN-01JAN94



HP5096

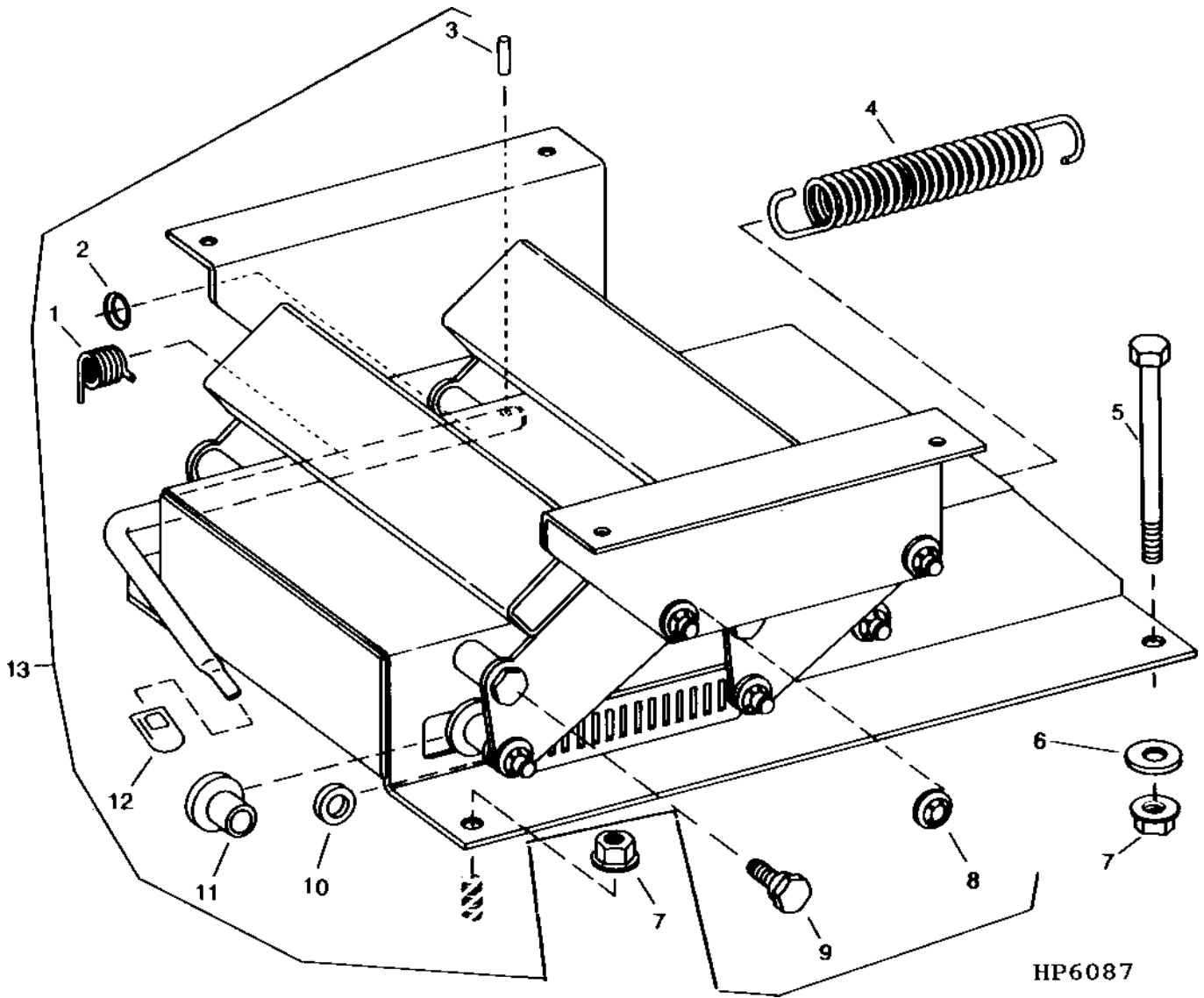
SEAT ADJUST FORE AND AFT - CONTINUED

KEY	PART NO.	PART NAME	QTY	SERIAL NO.	S H 9 9 5 5 0 0 0 0	REMARKS
1	AH116313	PLATE	1		X X	
2	AH110674	BRACKET	2		X X	
3	19M7868	SCREW	1		X X	M8 X 30
4	24H1296	WASHER	1		X X	11/32" X 1-3/8" X 0.134"
5	19M7866	SCREW	6		X X	M8 X 20
6	14M7298	FLANGE NUT	13		X X	M8, (SUB 14M7298)
7	H127772	FITTING	2	-637128	X	
	H96391	PIN	1	637129-	X X	
8	AH122648	ADJUSTER	2		X X	
9	H115987	PLATE	1		X X	
10	19M8331	CAP SCREW	4		X X	M8 X 20
11	H83055	KNOB	1		X X	
12A	H127773	LEVER	1	-637377	X	(SUB H141289, H96391 AND (3) 37M7089)
12B	H141289	LEVER	1	637378-	X X	
13	H144274	BUMPER	1		X X	(SUB FOR H130166)
14	37M7089	SCREW	3	638899-	X X	M6 X 12
15	19H1900	CAP SCREW	4		X X	7.925 X 19.050 MM (5/16" X 3/4")
16	H118153	BUSHING	1	-637128	X	8.500 X 12.700 X 13.200 MM (0.335" X 1/2" X 0.520")
17	H115988	BRACKET	1	-637128	X	

7G4

OPERATOR'S STATION

CAB SEAT HEIGHT ADJUSTER (VERTICAL CONTROL)
HP6087 -UN-07JUN95



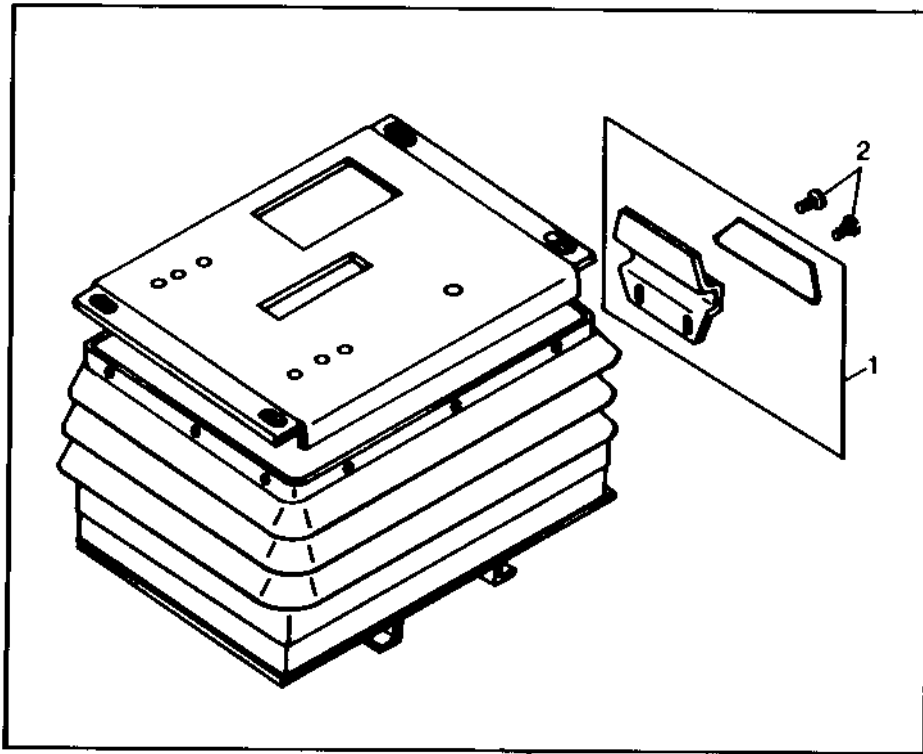
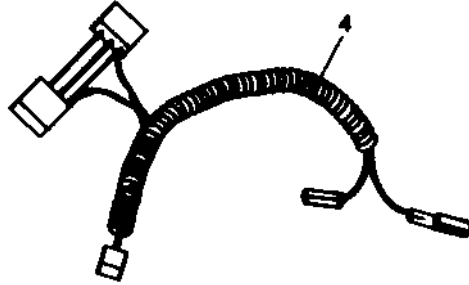
HP6087

CAB SEAT HEIGHT ADJUSTER (VERTICAL CONTROL) - CONTINUED

KEY	PART NO.	PART NAME	QTY	SERIAL NO.	S H 9 5 0 0	REMARKS
1	T62828	SPRING	1		X X	
2	P48925	SHIM	AR		X X	0.254 MM (0.010")
3	34H262	SPRING PIN	1		X X	3.962 X 19.050 MM (5/32" X 3/4")
4	H137417	LEAF SPRING	2		X X	
5	H132452	CAP SCREW	2	-27MY97	X X	M10 X 200
6	24M7178	WASHER	2		X X	10.500 X 30 X 2.500 MM (0.413" X 1.181" X 0.098")
7	14M7296	FLANGE NUT	4		X X	M10
8	E58183	NUT	AR		X X	12.700 MM (1/2")
9	H137418	BOLT	4		X X	12.700 X 24.800 MM (1/2" X 0.976")
10	H137421	WASHER	2		X X	13 X 25 X 3 MM (0.512" X 0.984" X 0.118")
11	H137420	HALF SLEEVE	2		X X	
12	T55201	GRIP	1		X X	
13	AH113301	ADJUSTER	1		X X	
..	AH156332	SEAT	2	-27MAY7	X X	
..	14M7298	FLANGE NUT	4	-27MAY7	X X	M8
..	AH156727	KIT	1	-27MAY7	X X	

7G6

AIR SEAT SUSPENSION
(660201-)
HP5882 -UN-18OCT94



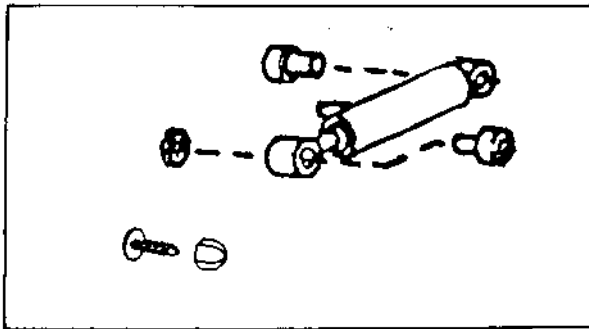
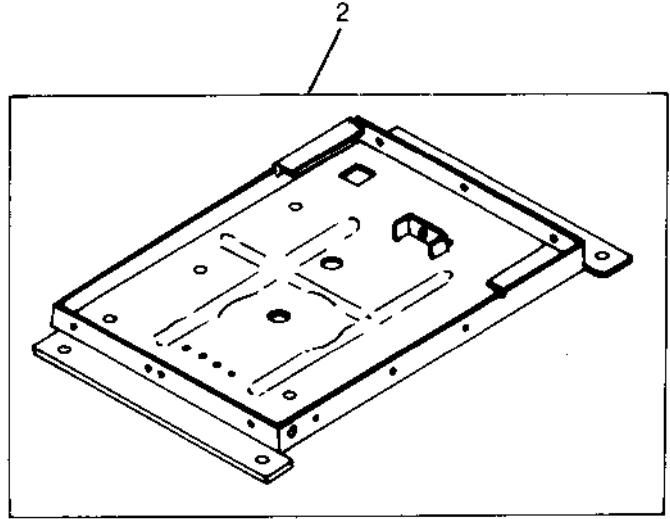
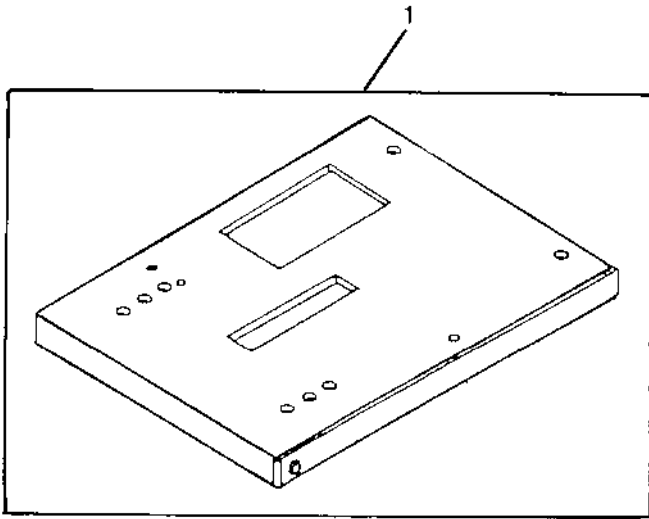
HP5882

AIR SEAT SUSPENSION - CONTINUED
(660201-)

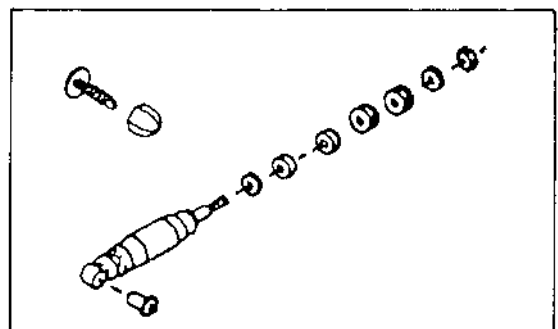
KEY	PART NO.	PART NAME	QTY	SERIAL NO.	S H 9 9 5 5 0 0 0 0	REMARKS
1	AH144778	PANEL	1		X X	
2	37M7089	SCREW	2		X X	M6 X 12
3	AH140206	SEAT SUSPENSION	1	-660937	X X	(ORDER BH81076)
4	AH146032	WIRING HARNESS	1		X X	ADAPTER, REQUIRED ON COMBINES PRIOR TO S/N 666439
..	BH81076	COMPLETE GOODS/SHIP. BUNDLE	1		X X	AIR RIDE SEAT

AIR SEAT SUSPENSION KITS

(665201-)
HP6191 -UN-08OCT97



HP6191



7G9

OPERATOR'S STATION

AIR SEAT SUSPENSION KITS - CONTINUED
(665201-)

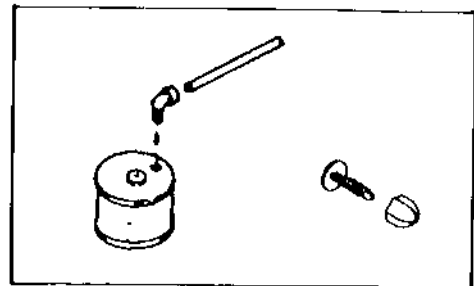
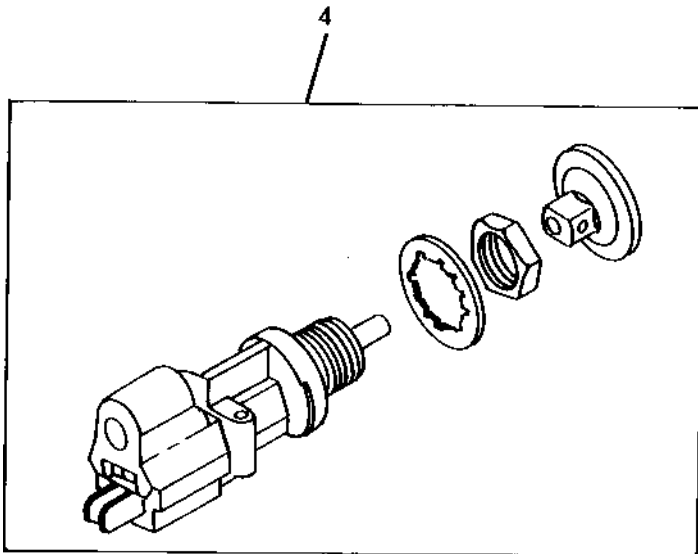
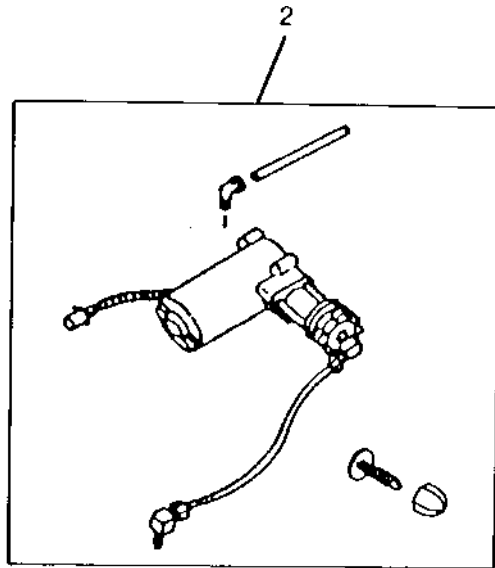
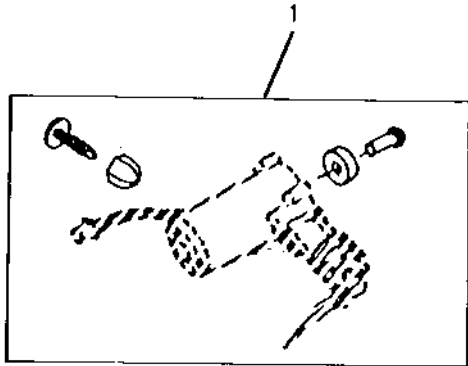
KEY	PART NO.	PART NAME	QTY	SERIAL NO.	S H 9 9 5 5 0 0 0 0	REMARKS
1	AH146234	KIT	1		X X	UPPER HOUSING
2	AH136937	KIT	1		X X	LOWER HOUSING
3	RE65695	SEAT SHOCK ABSORBER KIT	1		X X	SHOCK ABSORBER
4	RE52553	SEAT SHOCK ABSORBER KIT	1		X X	FORE/AFT

7G10

OPERATOR'S STATION

AIR SEAT SUSPENSION KITS

(665201-)
HP6192 -UN-03OCT95



HP6192

7G11

OPERATOR'S STATION

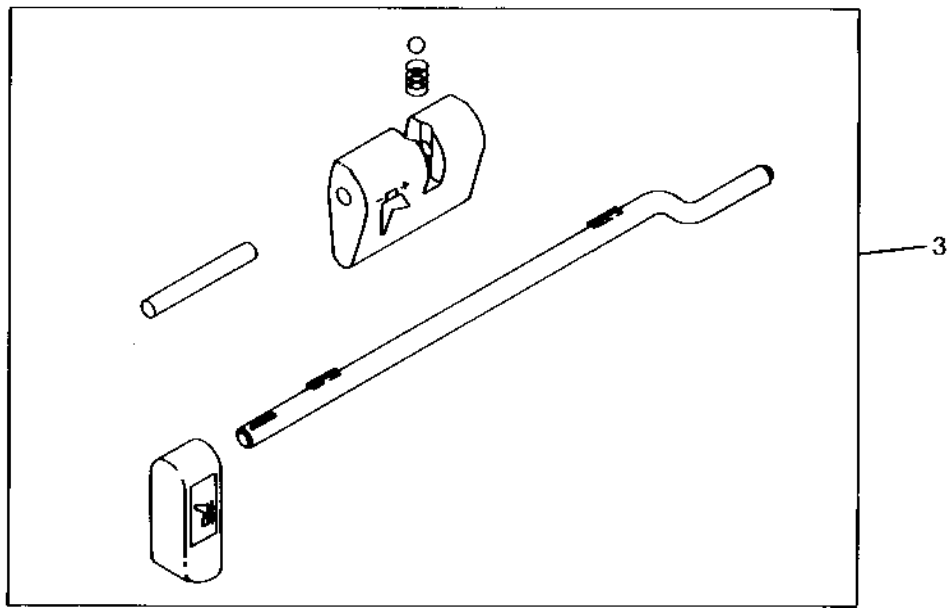
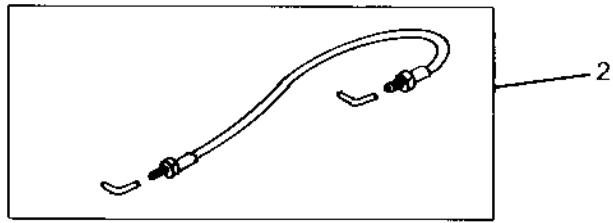
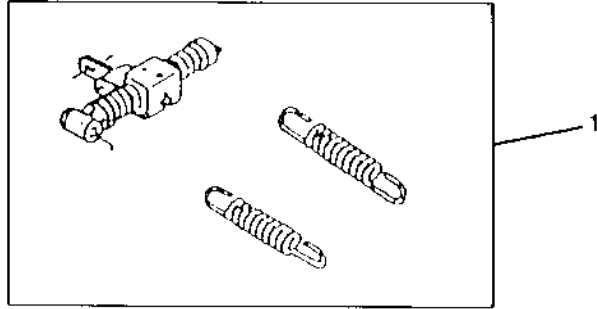
AIR SEAT SUSPENSION KITS - CONTINUED
(665201-)

KEY	PART NO.	PART NAME	QTY	SERIAL NO.	S H 9 9 5 5 0 0 0 0	REMARKS
1	RE65693	COMPRESSOR FILTER KIT	1		X X	
2	AH136929	KIT	1		X X	COMPRESSOR
3	RE65694	AIR SPRING SEAT KIT	1		X X	AIR SPRING
4	AH136930	KIT	1		X X	HT. ADJ. SWITCH VALVE

7G12

AIR SEAT SUSPENSION KITS

(665201-)
HP6193 -UN-03OCT95



HP6193

7G13

OPERATOR'S STATION

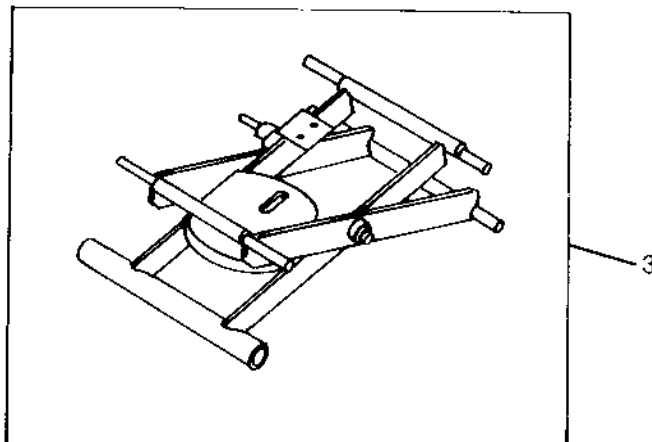
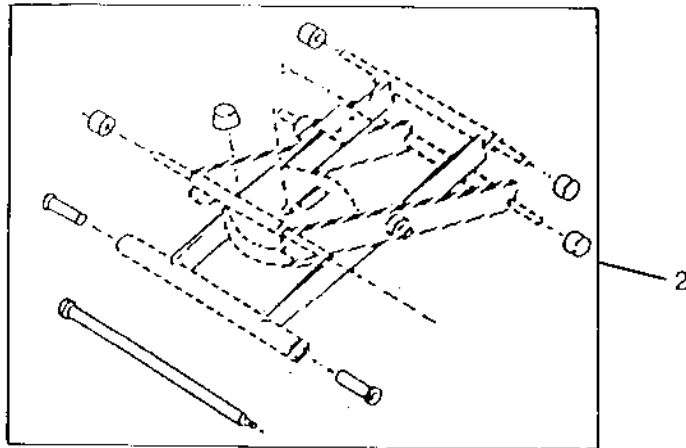
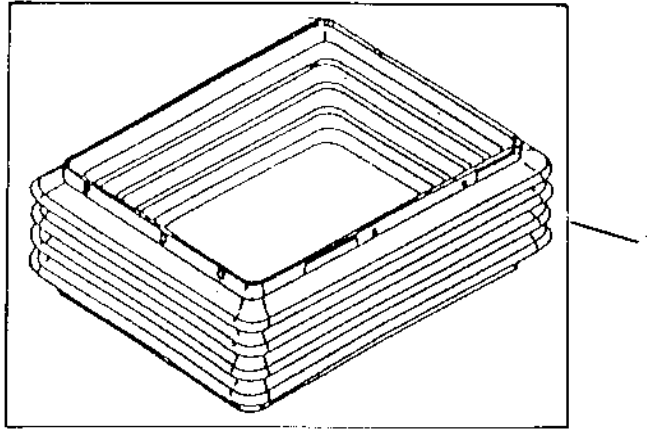
AIR SEAT SUSPENSION KITS - CONTINUED
(665201-)

KEY	PART NO.	PART NAME	QTY	SERIAL NO.	S H 9 5 0 0	REMARKS
1	RE65696	SEAT ATTENUATOR SPRING KIT	1	-18AU97	X X	ATTENUATOR SPRING
	AH157634	KIT	1	18AU97-	X X	FORE/AFT ISOLATOR
2	AH136935	KIT	1		X X	RIDE FIRMNESS ADJ. CABLE
3	AH136934	KIT	1	-18AU97	X X	KNOB (INCLUDES 2 KNOBS)
	AH157557	KIT	1	18AU97-		KNOB

7G14

AIR SEAT SUSPENSION KITS

(665201-)
HP6194 -UN-03OCT95



HP6194

7G15

OPERATOR'S STATION

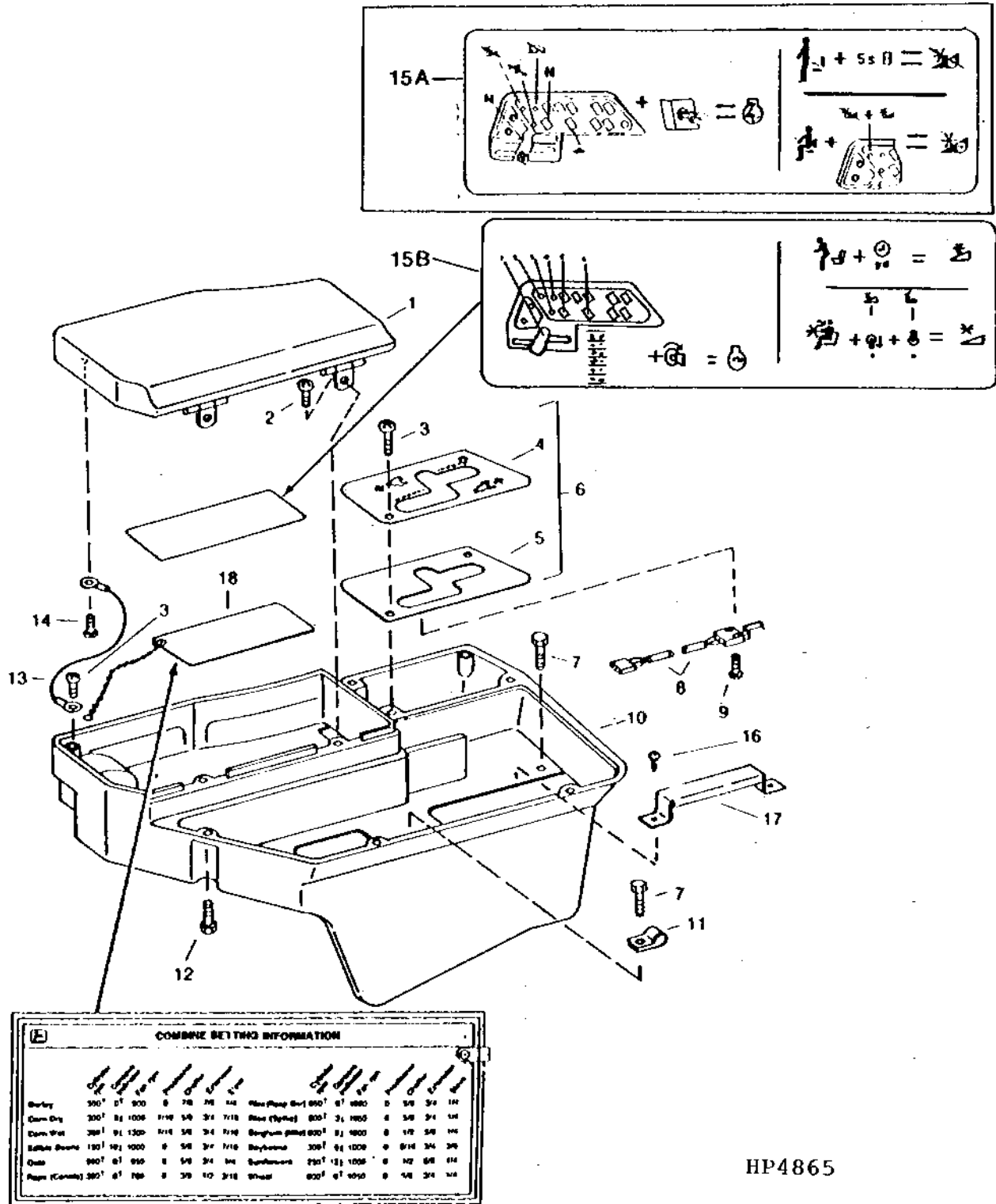
AIR SEAT SUSPENSION KITS - CONTINUED
(665201-)

KEY	PART NO.	PART NAME	QTY	SERIAL NO.	S H 9 9 5 5 0 0 0 0	REMARKS
1	RE52555	SEAT SUSPENSION BOOT KIT	1		X X	
2	RE63832	SEAT BEARING ROLLER KIT	1		X X	
3	AH136936	KIT	1		X X	SCISSOR

7G16

OPERATOR'S STATION

ARMREST WITH GLOVE BOX (R.H.)
HP4865 -UN-01JAN94



HP4865

7G17

OPERATOR'S STATION

ARMREST WITH GLOVE BOX (R.H.) - CONTINUED

KEY	PART NO.	PART NAME	QTY	SERIAL NO.	S H 9 5 0 0	REMARKS
1	AH117067	COVER	1		X X	
2	H123995	SCREW	2		X X	
3	H111706	SCREW	2		X X	
4	H130068	PANEL	1	-643457	X	(SUB AH139119)
	H145082	PANEL	1	643458-	X X	
5	GUIDE	1		X X	(ORDER AH139119)
6	AH139119	DRAWER SLIDE	1		X X	(SUB FOR AH125785) INCLUDES H145082 PANEL
7	37M7091	SCREW	4		X X	M6 X 25
8	AH163708	NEUTRAL START SWITCH	1		X X	(SUB FOR AH127390) ENGINE SAFETY START SWITCH
9	37M7066	SCREW	2		X X	
10	H168425	CONSOLE	1		X X	(SUB FOR H151165, H144244, H126470)
11	H77358	CLIP	1		X X	
12	H111705	SCREW	4		X X	
13	AH124857	WIRING LEAD	1		X X	
14	37M7100	SCREW	1	-640200	X	
	37M7215	SCREW	1	640201-	X X	
15A	H137402	LABEL	1	-643457	X	(SUB H146315) ENGINE START AND SEAT SAFETY SWITCH DECAL
15B	H146315	LABEL	1		X X	
16	H111364	SCREW	2	-641949	X	M3.5 X 12 FOR MACHINES PRIOR TO 1991
17	H140396	GUARD	1	-641949	X	FOR MACHINES PRIOR TO 1991
18	AH144100	LABEL	1		X X	(SUB FOR AH131108)
	AH150442	LABEL	1	15AP96-	X	UKRANIAN ONLY

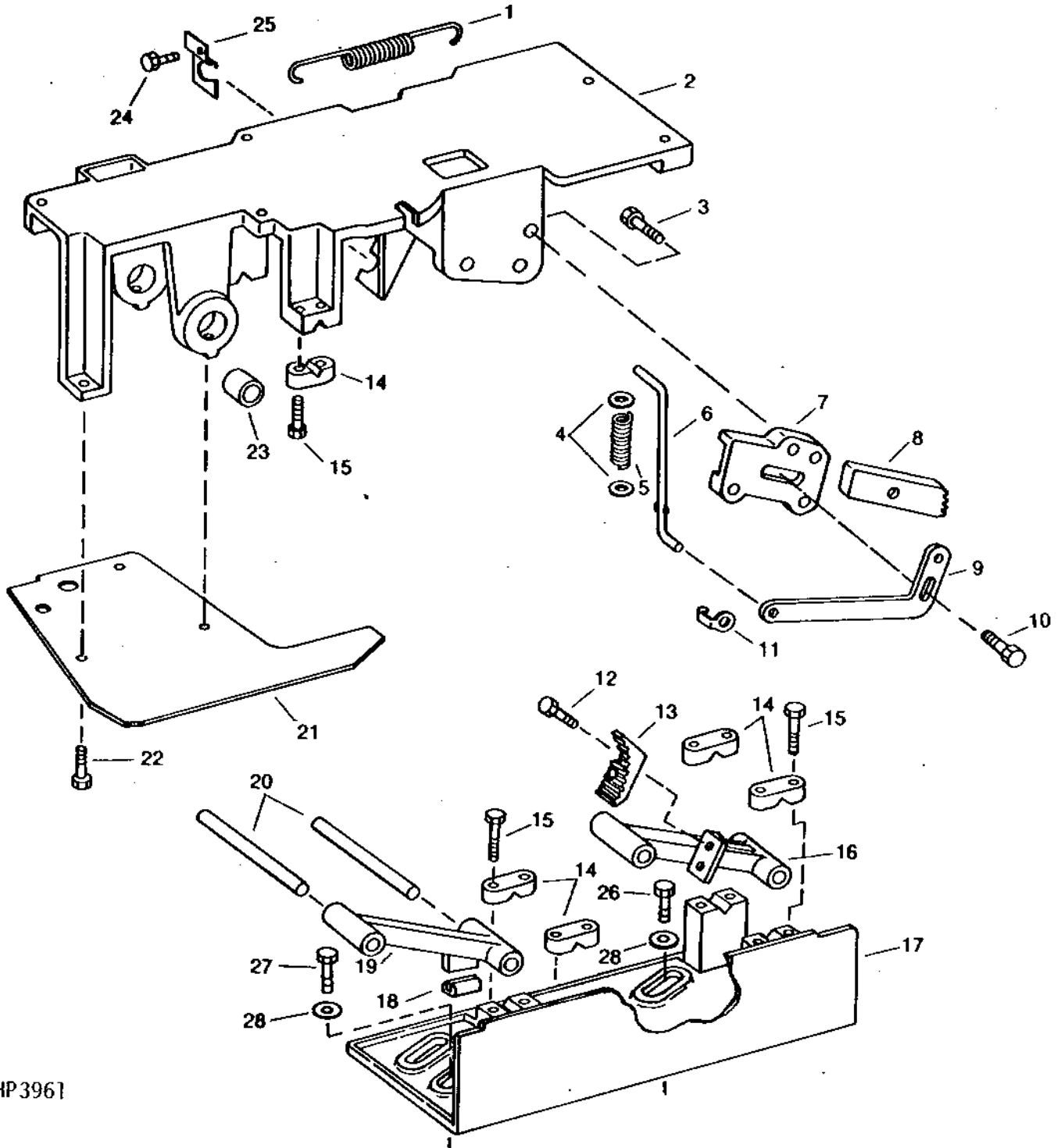
7G18

OPERATOR'S STATION

ARMREST ADJUSTING MECHANISM (R.H.)

(-640200)

HP3961 -UN-01JAN94



HP 3961

7G19

OPERATOR'S STATION

ARMREST ADJUSTING MECHANISM (R.H.) - CONTINUED
(-640200)

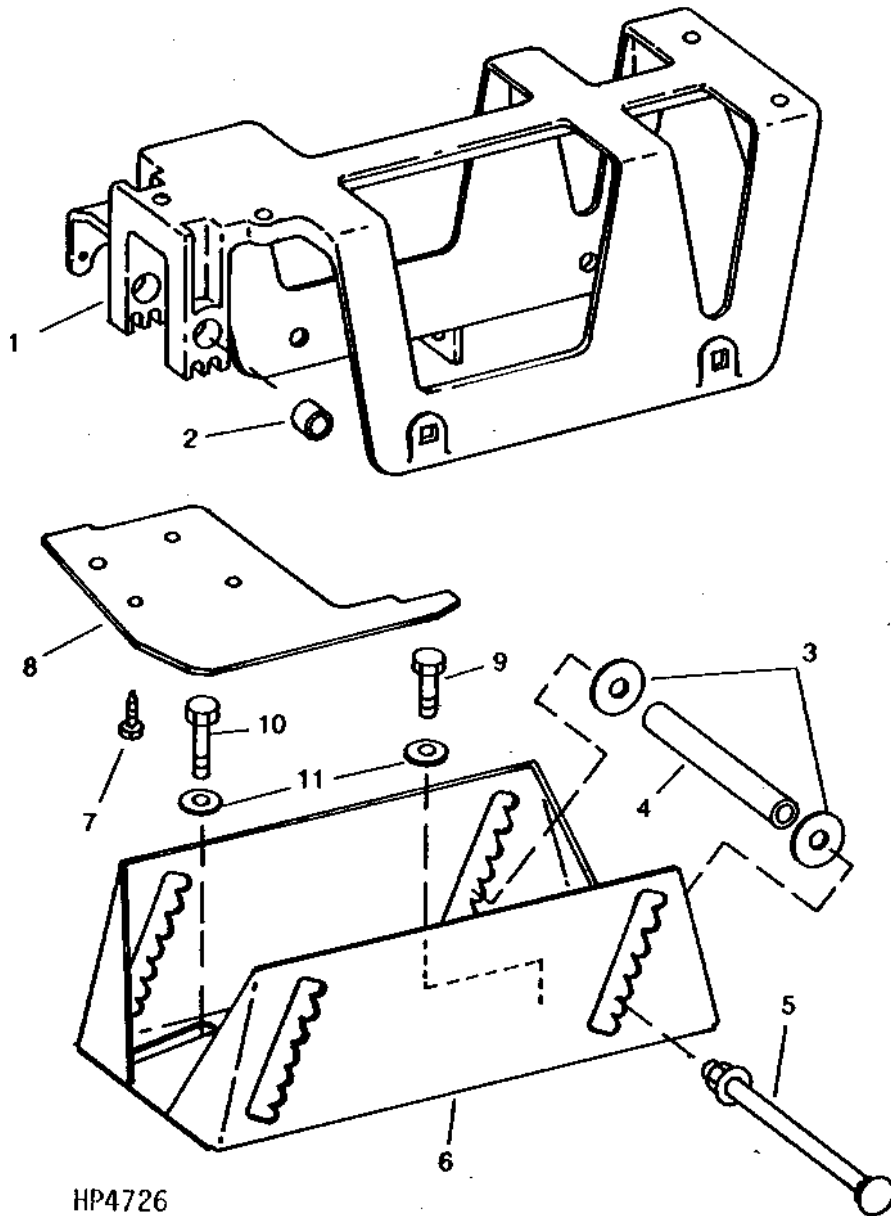
KEY	PART NO.	PART NAME	QTY	SERIAL NO.	S H 9 5 0 0 0 0	REMARKS
1	H119685	SPRING	1		X	
2	H141393	SUPPORT	1		X	(SUB FOR H126172)
3	19M7866	SCREW	3		X	M8 X 20
4	24H1287	WASHER	2		X	7.137 X 15.875 X 1.651 MM (9/32" X 5/8" X 0.065")
5	N12405	SPRING	1		X	
6	H126171	ROD	1		X	
7	H110310	HOUSING	1		X	
8	H141327	PAWL	1	646008-	X	(SUB FOR H109539)
9	H126173	ARM	1		X	
10	H131424	BOLT	2		X	M6 X 20.750
11	R26501	CLIP	1		X	
12	H133205	SCREW	2		X	M8 X 25
13	H110812	GEAR	1		X	
14	H126175	RETAINER	8		X	
15	37M7104	SCREW	16		X	M6 X 30, (SUB FOR 37M7159)
16	H119682	ARM	1		X	
17	H126176	SUPPORT	1		X	
18	H107566	ISOLATOR	2		X	
19	H119684	ARM	1	-639060	X	
	H143439	COVER	1	639061-	X	
20	H126174	PIN	4		X	12 X 113 MM (0.472" X 4.449")
21	H143439	COVER	1		X	(SUB FOR H119687)
22	37M7165	SCREW	3		X	(SUB 37M7165)
23	H96455	BUSHING	2		X	
24	37M7089	SCREW	1		X	M6 X 12
25	H141386	RETAINER	1		X	
26	19M8331	CAP SCREW	2		X	M8 X 20
27	19M8330	SCREW	1		X	M8 X 35
28	H133100	WASHER	3		X	

7G20

OPERATOR'S STATION

ARMREST ADJUSTING MECHANISM (R.H.)

(640201 -)
HP4726 -UN-01JAN94



7G21

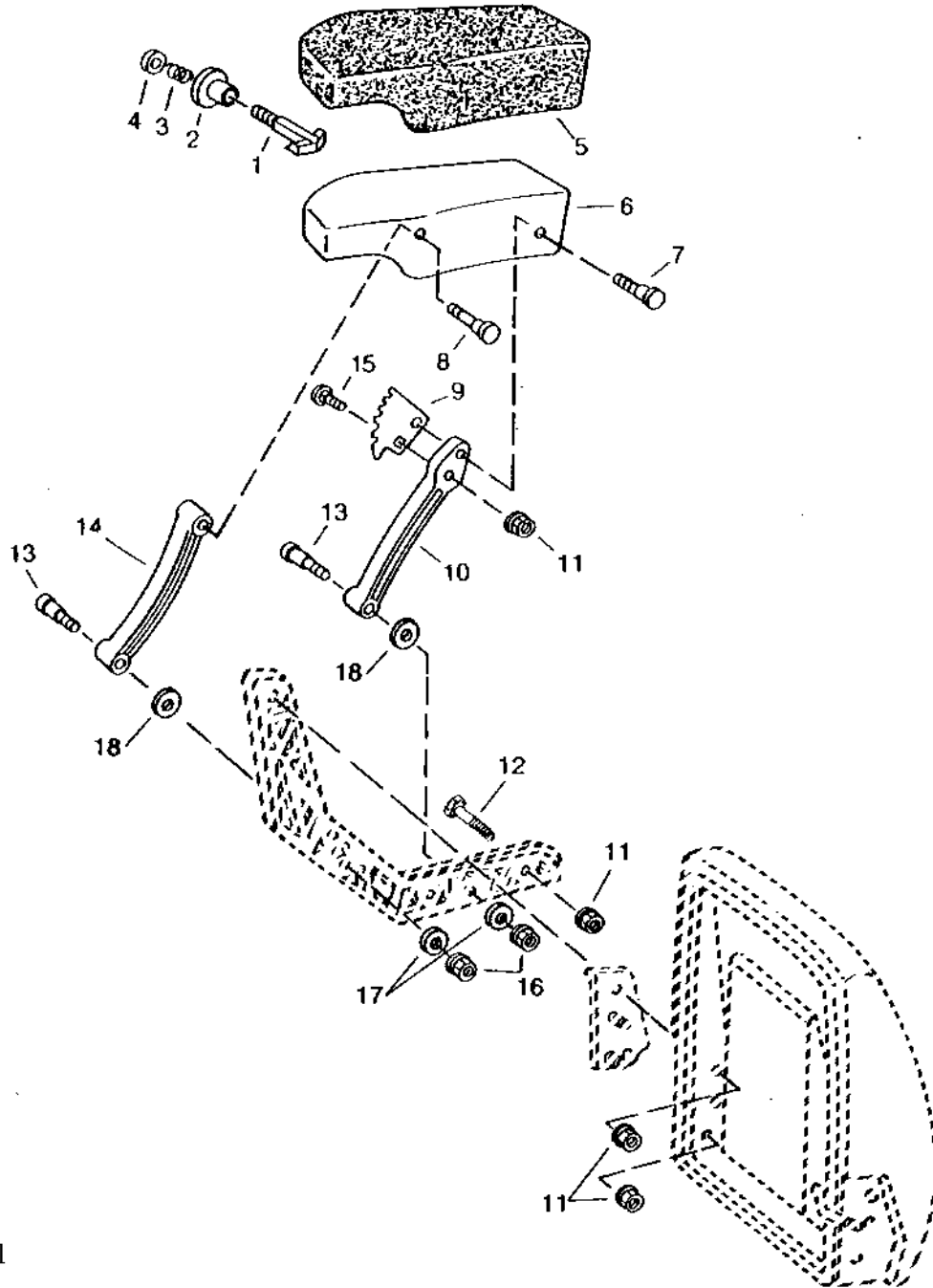
OPERATOR'S STATION

ARMREST ADJUSTING MECHANISM (R.H.) -CONTINUED
(640201 -)

KEY	PART NO.	PART NAME	QTY	SERIAL NO.	REMARKS
					S H 9 9 5 5 0 0 0 0
1	H137854	SUPPORT	1	X X	
2	H96455	BUSHING	2	X X	
3	H137858	WASHER	4	X X	11 X 34 X 3 MM (0.433" X 1.339" X 0.118")
4	H137856	SPACER	2	X X	12.522 X 17.145 X 129 MM (0.493" X 0.675" X 5.118")
5	H137857	BOLT	2	X X	M10 X 170
	H137859	FLANGE NUT	2	X X	M10
6	H137855	SUPPORT	1	X X	
7	37M7165	SCREW	1	X X	(SUB FOR 37M7155)
8	H143439	COVER	1	X X	
9	19M8331	CAP SCREW	2	X X	M8 X 20
10	19M8330	SCREW	1	X X	M8 X 35
11	24M7207	WASHER	3	X X	8.400 X 24 X 2 MM (0.331" X 0.945" X 0.079")

7G22

ARMREST (L.H.)
HP3131 -UN-01JAN94



HP3131

7G23

OPERATOR'S STATION

ARMREST (L.H.) - CONTINUED

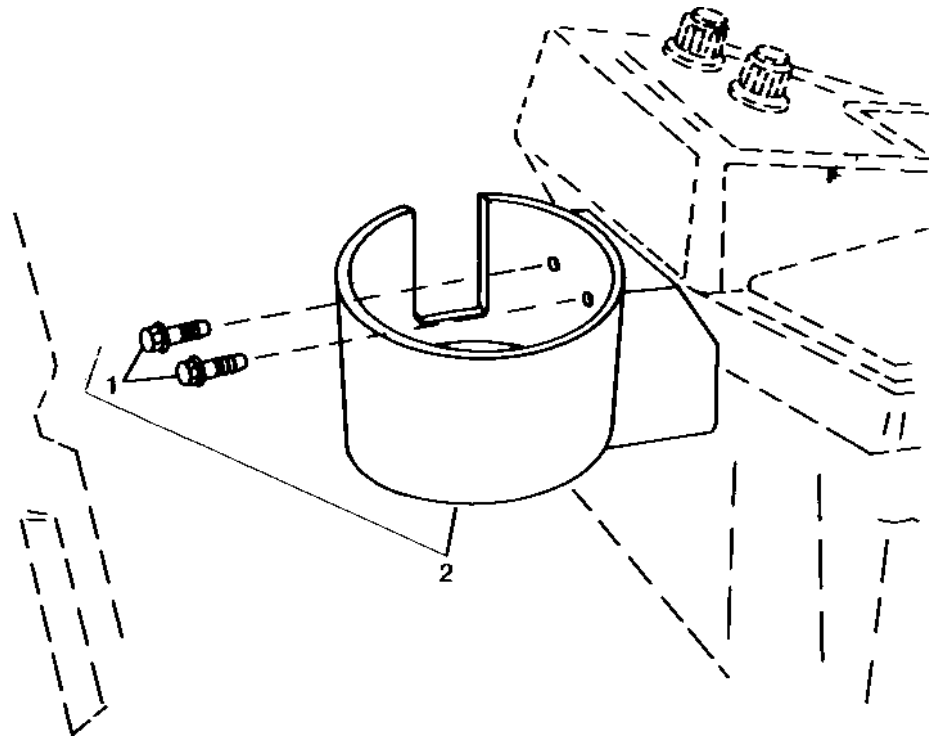
KEY	PART NO.	PART NAME	QTY	SERIAL NO.	S H 9 5 0 0	REMARKS
1	R59070	SHAFT KEY	1		X X	
2	R59028	BUSHING	1		X X	
3	A4741R	SPRING	1		X X	
4	R59029	KNOB	1		X X	
5	H120099	CUSHION	1		X X	
6	R107823	ARMREST	1		X X	(SUB FOR R58816)
7	R59021	PIN	1		X X	
8	R59023	PIN	1		X X	
9	R61862	PLATE	1		X X	
10	R59020	LINK	1		X X	
11	N10215	LOCK NUT	1		X X	9.525 MM (3/8")
12	R59015	GANG BOLT	1		X X	9.525 X 31.750 MM (3/8" X 1-1/4")
13	R59022	SCREW	2		X X	
14	R59013	LINK	1		X X	
15	03H1765	BOLT	1		X X	9.525 X 19.050 MM (3/8" X 3/4")
16	H99923	LOCK NUT	2		X X	9.525 MM (3/8")
17	R53665	WASHER	2		X X	10.312 X 17.450 X 1.524 MM (13/32" X 11/16" X 0.060")
18	R27441	WASHER	2		X X	9.931 X 28.575 X 1.524 MM (25/64" X 1-1/8" X 0.060")

7G24

OPERATOR'S STATION

CUP HOLDER

HP5912 -UN-17DEC94



HP5912

KEY	PART NO.	PART NAME	QTY	SERIAL NO.	S	H	REMARKS
1	H151166	SCREW	2	-28SE98	X	X	M6 X 16
	H168428	SCREW	2	28SE98-	X	X	M6 X 16
2	H151062	HOLDER	1	-660794	X	X	(SUB AH145616)
	AH145616	HOLDER	1		X	X	

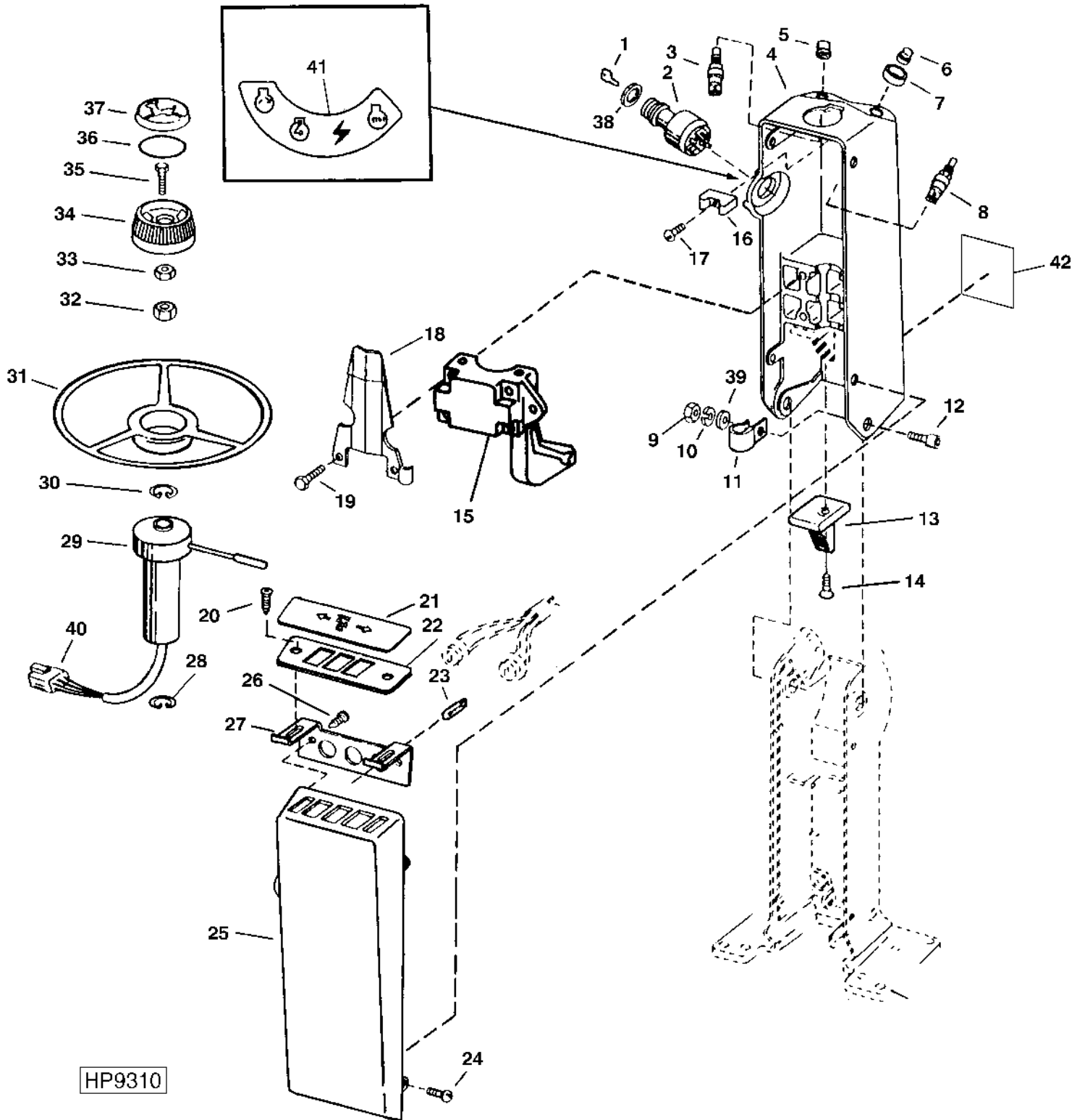
MEMORANDA

7H1

OPERATOR'S STATION

STEERING COLUMN (UPPER)

HP9310 -UN-18NOV99



HP9310

7H2

OPERATOR'S STATION

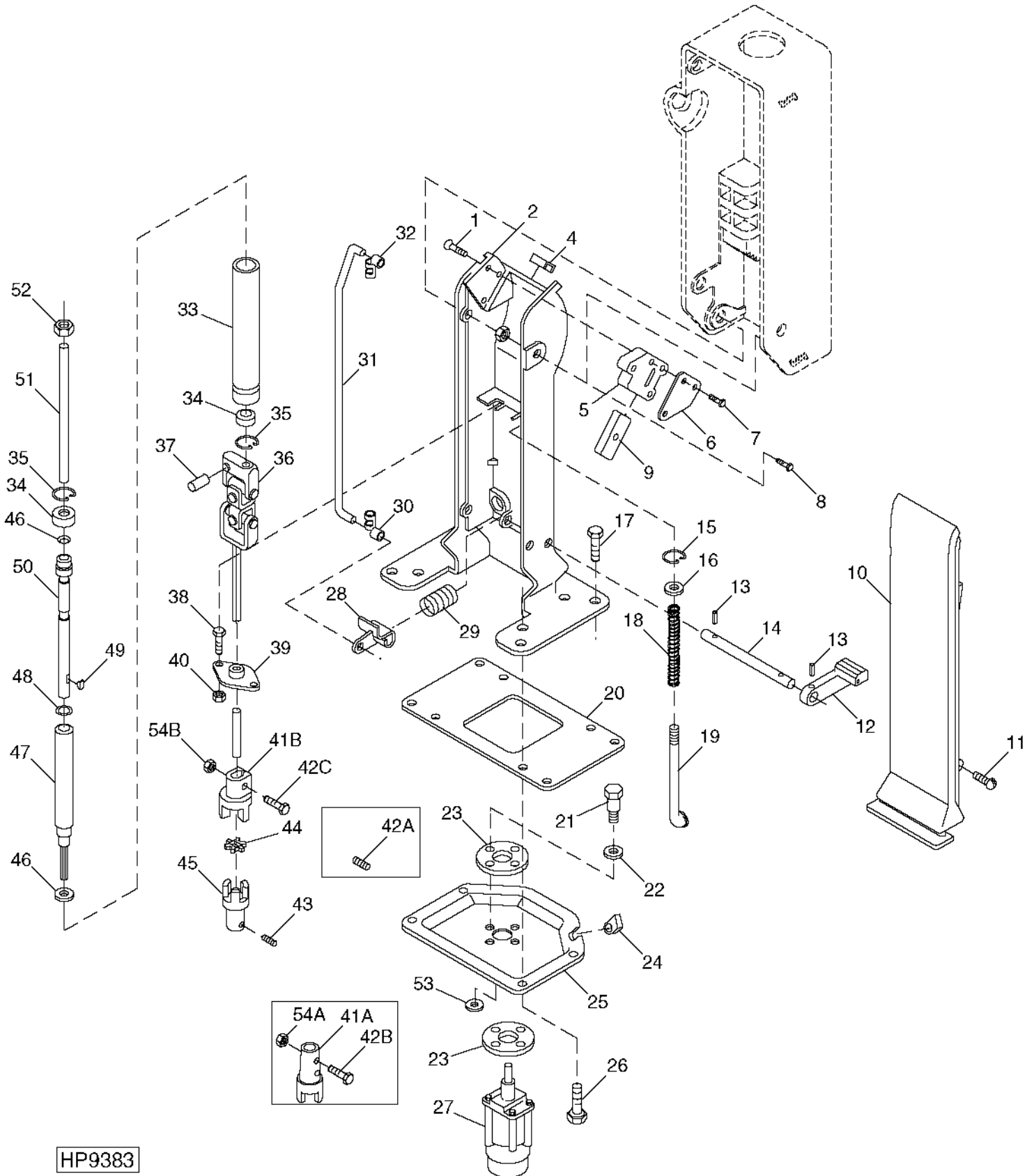
STEERING COLUMN (UPPER) - CONTINUED

KEY	PART NO.	PART NAME	QTY	SERIAL NO.	S H 9 9 5 5 0 0 0 0	REMARKS
1	AR51481	KEY	1		X X	
2	AH108816	SWITCH	1		X X	KEY START SWITCH
3	R39554	SWITCH	1		X X	HORN BUTTON
4	H113858	HOUSING	1		X X	
5	T55501	CAP	1		X X	
6	T55585	CAP	1		X X	
7	H132895	GUARD	1		X X	
8	R39554	SWITCH	1		X X	ETHER AID START BUTTON
9	14M7274	NUT	2		X X	M10
10	12M7066	LOCK WASHER	2		X X	10.200 MM (0.402")
11	AH96317	CLIP	1		X X	(SUB FOR AH89486)
12	H107687	SCREW	2		X X	M10 X 23
13	H110812	GEAR	1		X X	
14	H133205	SCREW	2		X X	
15	H150383	CLAMP	1	660201-	X X	(SUB FOR H113279)
16	H113863	GUIDE	1		X X	
17	37M7071	SCREW	1		X X	
18	AH129255	GUARD	1		X X	
19	19M7800	SCREW	4		X X	M8 X 50
20	H132899	SCREW	1		X X	
21	H146392	PANEL	1		X X	(SUB FOR H134602)
22	H146391	PANEL	1		X X	(SUB FOR H134635)
23	AA27536	BULB	2		X	
	AA27536	BULB	3		X	
24	H130192	SCREW	4		X X	M6 X 12
25	H123873	COVER	1		X X	
26	37H6	SCREW	2		X X	
27	H132897	RETAINER	1		X X	
28	R26192	SNAP RING	1		X X	
29	AH121340	TURN SIGNAL CONTROLLER	1		X X	(INCLUDES T23529) TURN SIGNAL
30	R26192	SNAP RING	1		X X	
31	T22875	STEERING WHEEL	1		X X	
32	14M7257	NUT	1		X X	M20, (SUB FOR 14M7160)
33	14M7273	NUT	1		X X	M8
34	H108822	KNOB	1		X X	
35	19M3135	CAP SCREW	1	-643087	X	M8 X 40, (SUB 19M7922)
	19M7922	CAP SCREW	1		X X	M8 X 40
36	B3690R	O-RING	1		X X	47.219 X 3.531 MM (1-55/64" X 0.139")
37	R47998	CAP	1		X X	
38	R44342	NUT	1		X X	25.400 MM (1")
39	24M7040	WASHER	1		X X	11 X 20 X 2 MM (0.433" X 0.787" X 0.079")
40	AH116902	CONNECTOR	1		X X	
41	H146042	LABEL	1		X	(SUB FOR H139427)
42	H156390	LABEL	1	6MAY96-	X X	

7H3

OPERATOR'S STATION

STEERING COLUMN (LOWER) HP9383 -UN-07DEC99



HP9383

7H4

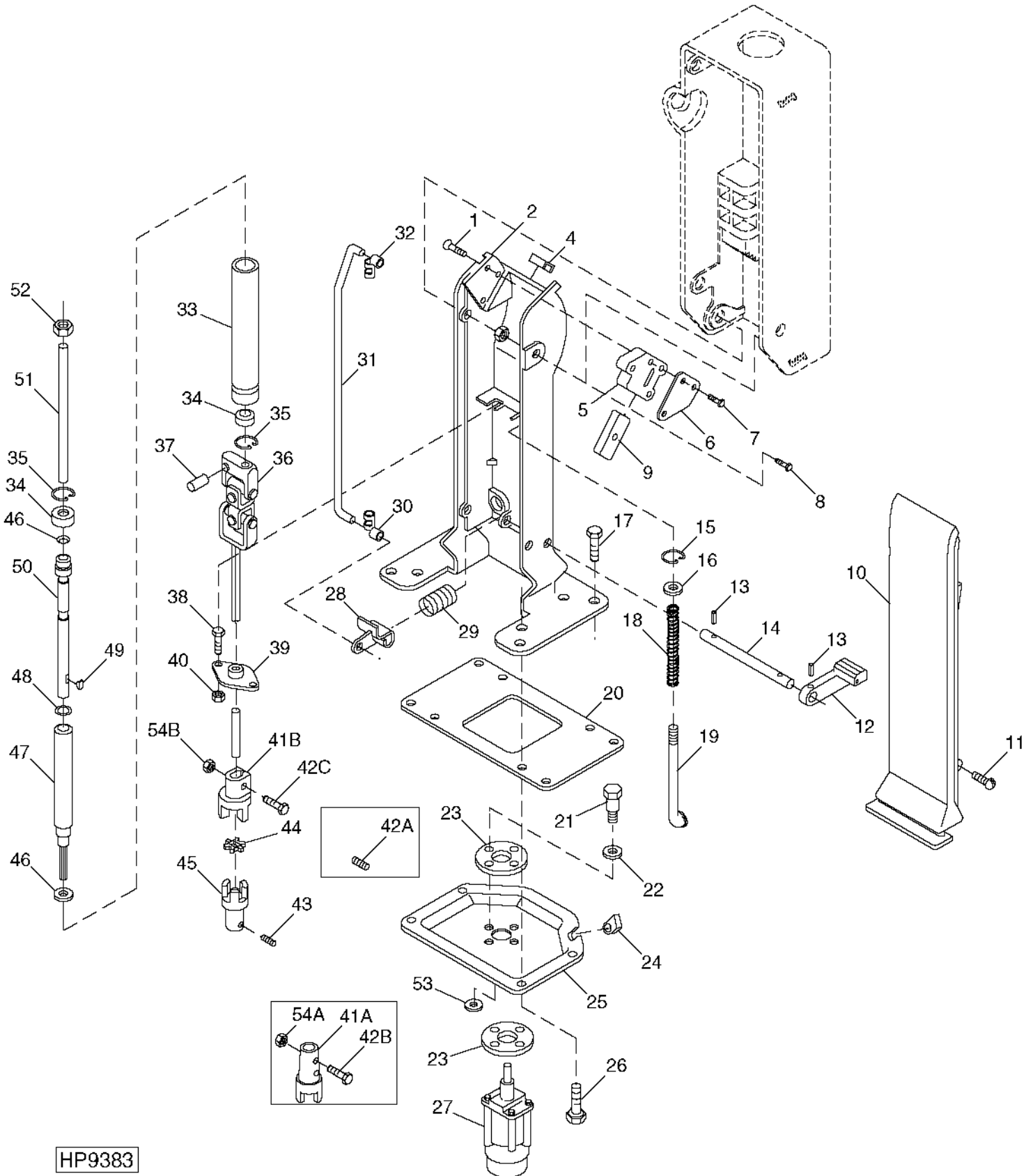
OPERATOR'S STATION

STEERING COLUMN (LOWER) - CONTINUED

KEY	PART NO.	PART NAME	QTY	SERIAL NO.	S H 9 5 0 0	REMARKS
1	H133205	SCREW	3		X X	M8 X 25
2	H123877	HOUSING	1		X X	
3	14M7274	NUT	2		X X	M10
4	H107566	ISOLATOR	1		X X	
5	H110310	HOUSING	1		X X	
6	H110229	CRANK	1		X X	
7	H131424	BOLT	2		X X	M6 X 20.750
8	H107687	SCREW	2		X X	M10 X 23
9	H141327	PAWL	1	646008-	X X	(SUB FOR H109539)
10	H147192	COVER	1		X X	(SUB FOR H123872)
11	H130192	SCREW	4		X X	M6 X 12
12	H152174	PEDAL	1		X X	(SUB FOR H107581)
13	34M7102	SPRING PIN	2		X X	5 X 26 MM
14	H113864	PIN	1		X X	
15	H133106	SNAP RING	1		X X	
16	24M7055	WASHER	1		X X	8.400 X 16 X 1.600 MM
17	19M7800	SCREW	4		X X	M8 X 50
18	H113404	SPRING	1		X X	
19	H113402	ROD	1		X X	
20	H123874	SEALANT	1		X X	
21	H110700	BOLT	4		X X	M8 X 34.750
22	24M7028	WASHER	4		X X	10.500 X 20 X 2 MM
23	H134353	ISOLATOR	2		X X	
24	H108725	GROMMET	1		X X	
25	H123875	SUPPORT	1		X X	
26	19M7867	SCREW	4		X X	M8 X 25
27	AH142441	PUMP	1	647298-	X X	(SUB FOR AH130126) STEERING PUMP
28	H107582	ARM	1		X X	
29	H107584	SPRING	1		X X	
30	R26501	CLIP	1		X X	
31	H131186	ROD	1		X X	
32	R26524	CLIP	1		X X	
33	H107567	HOUSING	1		X X	
34	AH97920	BALL BEARING	2		X X	
35	H80753	SNAP RING	2		X X	
36	AH130435	UNIVERSAL JOINT, WITH SHAFT	1	-643457	X	(SUB AH139065, H144970, 19M7295 AND 14M7166)
	AH139065	UNIVERSAL JOINT, WITH SHAFT	1		X X	
37	34M7124	SPRING PIN	1		X X	8 X 30 MM
38	19M7866	SCREW	2		X X	M8 X 20
39	AH129236	BEARING	1		X X	
40	14M7298	FLANGE NUT	2	-643457	X	M8
	14M7166	LOCK NUT	2	643458-	X X	M8
41A	H134622	COUPLING	1	-643457	X	
41B	H162569	COUPLING	1		X X	(SUB FOR H144970 OR (2) H162056)
42A	22M7073	SET SCREW	2	-640528	X	M8 X 12
42B	19M8359	CAP SCREW	2	640529-	X X	M8 X 45
42C	H162055	SCREW	1	28APR7-	X X	
43	22M7072	SET SCREW	2		X X	M6 X 10
44	H134624	ISOLATOR	1		X X	
45	H134623	SPLINED COUPLING	1		X X	
46	H99294	WASHER	2		X X	22.606 X 27.813 X 0.813 MM (0.890" X 1.095" X 0.032")
47	AH130429	STEERING SHAFT	1		X X	
48	H36256	O-RING	1		X X	15.469 X 3.531 MM (39/64" X 0.139")
49	H137667	SHAFT KEY	1		X X	8 X 32 MM (0.315" X 1.260")
50	H107570	STEERING SHAFT	1		X X	
51	H107586	PIN	1		X X	8 X 268 MM (0.315" X 10.551")
52	14M7257	NUT	1	643458-	X X	M20, (SUB FOR 14M7160)
53	H141946	WASHER	4		X X	8.330 X 15.880 X 1.520 MM (0.328" X 0.625" X 0.060")
54A	14M7166	LOCK NUT	1	640529-	X X	M8
54B	14M7396	LOCK NUT	1	28APR7-	X X	M8

7H5

STEERING COLUMN (LOWER) HP9383 -UN-07DEC99



HP9383

7H6

OPERATOR'S STATION

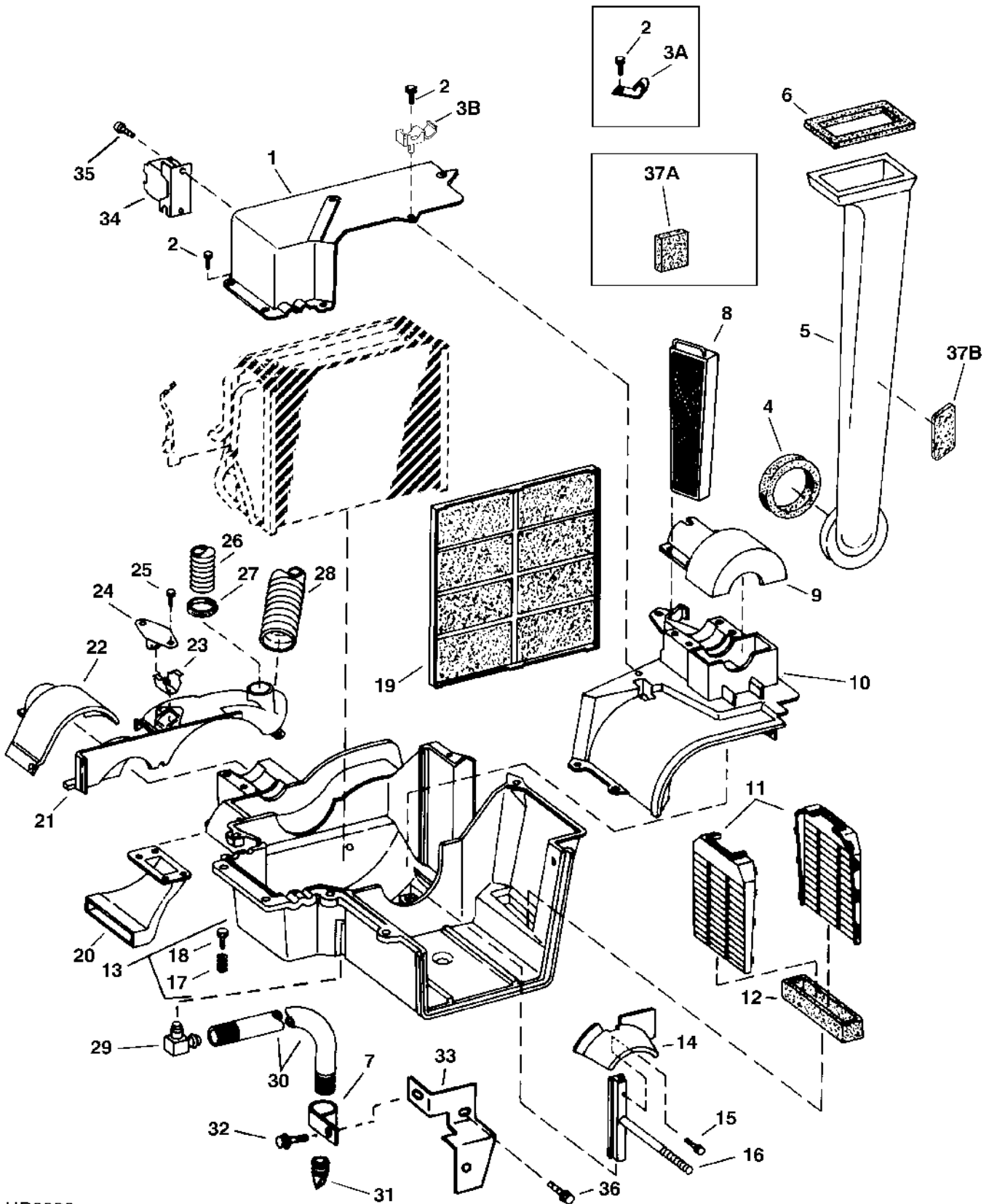
STEERING COLUMN (LOWER) - CONTINUED

KEY	PART NO.	PART NAME	QTY	SERIAL NO.	S H 9 5 0 0	REMARKS
46	H99294	WASHER	2		X X	22.606 X 27.813 X 0.813 MM (0.890" X 1.095" X 0.032")
47	AH130429	STEERING SHAFT	1		X X	
48	H36256	O-RING	1		X X	15.469 X 3.531 MM (39/64" X 0.139")
49	H137667	SHAFT KEY	1		X X	8 X 32 MM (0.315" X 1.260")
50	H107570	STEERING SHAFT	1		X X	
51	H107586	PIN	1		X X	8 X 268 MM (0.315" X 10.551")
52	14M7257	NUT	1	643458-	X X	M20, (SUB FOR 14M7160)
53	H141946	WASHER	4		X X	8.330 X 15.880 X 1.520 MM (0.328" X 0.625" X 0.060")
54A	14M7166	LOCK NUT	1	640529-	X X	M8
54B	14M7396	LOCK NUT	1	28APR7-	X X	M8

7H7

OPERATOR'S STATION

AIR CONDITIONING AND HEATER HOUSING AND FILTERS
HP6683 -UN-21MAR97



HP6683

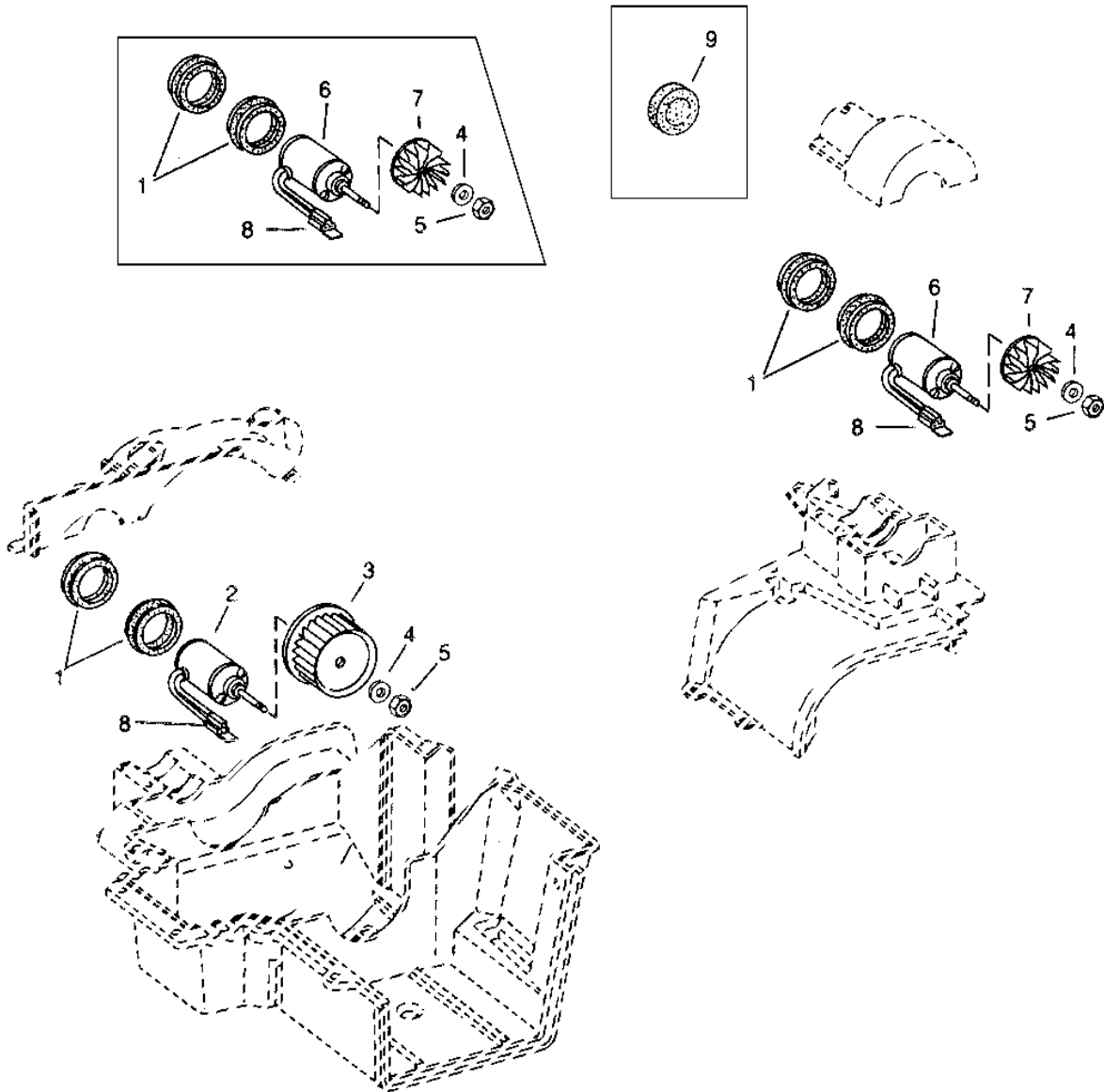
7H8

OPERATOR'S STATION

AIR CONDITIONING AND HEATER HOUSING AND FILTERS - CONTINUED

KEY	PART NO.	PART NAME	QTY	SERIAL NO.	S H 9 5 0 0	REMARKS
1	H161021	HOUSING	1		X X	(SUB FOR H127575 OR H150100)
2	19M7862	SCREW	AR		X X	M6 X 20
3A	AH96317	CLIP	1	-12AU96	X X	(SUB FOR AH89486)
3B	H158830	CLIP	1	12AU96-	X X	
4	H163397	SEAL	1		X X	(SUB FOR H119186 OR H144546)
5	H130374	AIR DUCT	1		X X	
	H157566	AIR DUCT	1	29SE97-		
6	SEAL	1		X X	(CUT FROM H88773)
	H153438	SEAL	1	29SE97-		
7	R46414	CLAMP	2		X X	
8	AH115836	AIR FILTER	1		X X	RECIRCULATING FILTER
9	H115031	COVER	1		X X	
10	AH120546	HOUSING	1		X X	
11	H114142	PRESCREENER	2		X X	
12	H118619	SEAL	1		X X	
13	AH138601	HOUSING	1		X X	(SUB FOR AH122444)
14	H127978	DUST SHIELD	1		X X	
15	37M7089	SCREW	AR		X X	M6 X 12
16	AH134884	SUPPORT	1		X X	(SUB FOR AH112703)
17	H119362	BUSHING	5		X X	(ORDER AH138601)
18	19M7862	SCREW	AR		X X	M6 X 20
19	AH120547	FILTER	1		X X	EVAPORATOR FILTER
20	H126589	AIR DUCT	1		X X	
21	H158525	HOUSING	1		X X	(SUB FOR H127574)
22	H126590	COVER	1		X X	
23	H130091	SHIELD	1		X X	
24	AH125505	RESISTOR	1		X X	
25	H123998	SCREW	AR		X X	
26	H118872	LINE	1		X X	
27	AR21999	HOSE CLAMP	AR	-640684	X	
	TY22472	CLAMP	AR	640685-	X X	(SUB FOR RE41991)
28	H118871	LINE	1		X X	
29	H146429	FITTING	1		X X	(SUB FOR H124197)
30	H159636	TUBE	1		X X	(SUB FOR H124198)
31	H150385	CHECK VALVE	1		X X	(SUB FOR H135409)
32	19M7866	SCREW	1		X X	M8 X 20
33	H137326	SUPPORT	1		X X	
34	RE48284	THERMOSTAT	1	-651649	X X	
	AH144020	THERMOSTAT	1	651659-	X X	
35	H111706	SCREW	2	-651649	X X	
	H123998	SCREW	2	651659-	X X	
36	19M7865	SCREW	2	-651946	X X	M8 X 16
	37M7058	SCREW	2	651947-	X X	M8 X 20
37A	H119187	PAD	1	-671938	X X	
37B	H159743	FOAM PAD	1	671939-	X X	
..	AH138601	HOUSING	1		X X	

PRESSURIZER FAN AND AIR CONDITIONING / HEATER FAN
HP6515 -UN-15JUL96



HP6515

7H10

OPERATOR'S STATION

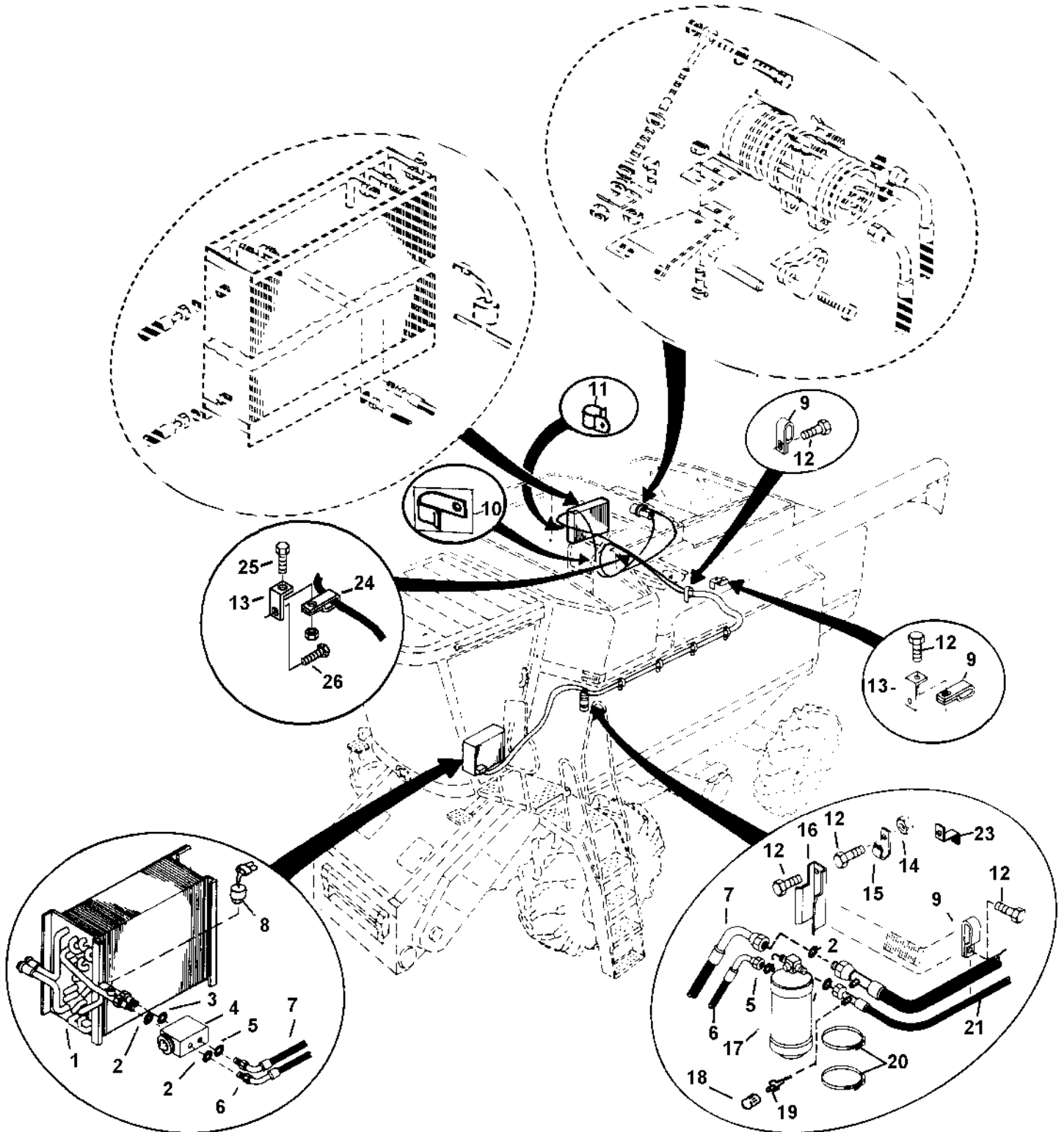
PRESSURIZER FAN AND AIR CONDITIONING / HEATER FAN - CONTINUED

KEY	PART NO.	PART NAME	QTY	SERIAL NO.	S H 9 9 5 5 0 0 0 0	REMARKS
1	H115521	ISOLATOR	4		X X	
2	AH128926	MOTOR	1		X X	AC/HEATER
3	H114046	BLOWER FAN	1		X X	
4	24M7117	WASHER	AR		X X	4.300 X 9 X 0.800 MM
5	14M7264	LOCK NUT	AR		X X	M4
6	AH128925	MOTOR	1		X X	PRESSURIZER
7	H124185	FAN	1		X X	
8	T28586	CONNECTOR	1		X X	
9	H144546	SEAL	1		X X	(SUB FOR H119186)

7H11

OPERATOR'S STATION

AIR CONDITIONING SYSTEM
HP7317 -UN-22DEC97



HP7317

7H12

OPERATOR'S STATION

AIR CONDITIONING SYSTEM - CONTINUED

KEY	PART NO.	PART NAME	QTY	SERIAL NO.	S H 9 5 0 0	REMARKS
1	AH132264	EVAPORATOR	1		X X	(SUB FOR AH130957)
2	R33259	O-RING	1		X X	13.995 X 1.778 MM (0.551" X 0.070")
3	P51212	O-RING	1	-650200	X X	10.820 X 1.778 MM (0.426" X 0.070")
	R113050	RING	1	650201-	X X	10.820 X 1.778 MM (0.426" X 0.070")
4	AH137702	VALVE	1		X X	(SUB FOR AH122867)
5	R10093	O-RING	1		X X	7.645 X 1.778 MM (0.301" X 0.070")
6	AH127684	HOSE	1		X X	
7	AH127685	HOSE	1		X X	7/8" X 912 MM (36") X 7/8"
8	AH144084	SWITCH	1		X X	(SUB FOR AH116110)
9	AH77869	CLIP	2		X X	
10	AH117301	CLAMP	1	-640200	X	FOR TWO HOSES - USE EXISTING HARDWARE
11	AH96317	CLIP	1		X X	(SUB FOR AH89486)
12	19M7867	SCREW	2	-670200	X X	M8 X 25
	19M7913	SCREW	2	670201-	X X	M8 X 90
13	H132662	BRACKET	1	-673134	X X	
14	14M7298	FLANGE NUT	1	-670200	X X	M8
15	AH78125	CLIP	1	-670200	X X	
	AH77724	CLIP	1	670201-	X X	
16	H136541	HOSE SUPPORT	1		X X	
17	AT162848	RECEIVER-DRYER	1		X X	(SUB FOR AT63170 OR AT125596)
18	R60172	NUT	1		X X	11.125 MM (7/16")
19	R124578	VALVE	1		X X	(SUB FOR R60170)
20	TY22474	CLAMP	1		X X	(SUB FOR AR21842)
21	AH126036	HOSE	1		X X	(SUB FOR AH136505)
22	AH126034	HOSE	1	-650200	X X	
	AH142105	REFRIGERANT HOSE	1	650201-29SEP7	X X	
23	H132538	HOSE SUPPORT	1		X X	
24	H143757	HOSE CLAMP	1	665501-673134	X	
25	N14822	SELF-LOCKING SCREW	1	665501-673134	X	
	14M7298	FLANGE NUT	1	665501-673134	X	M8
26	19M7868	SCREW	1	665501-673134	X	M8 X 30

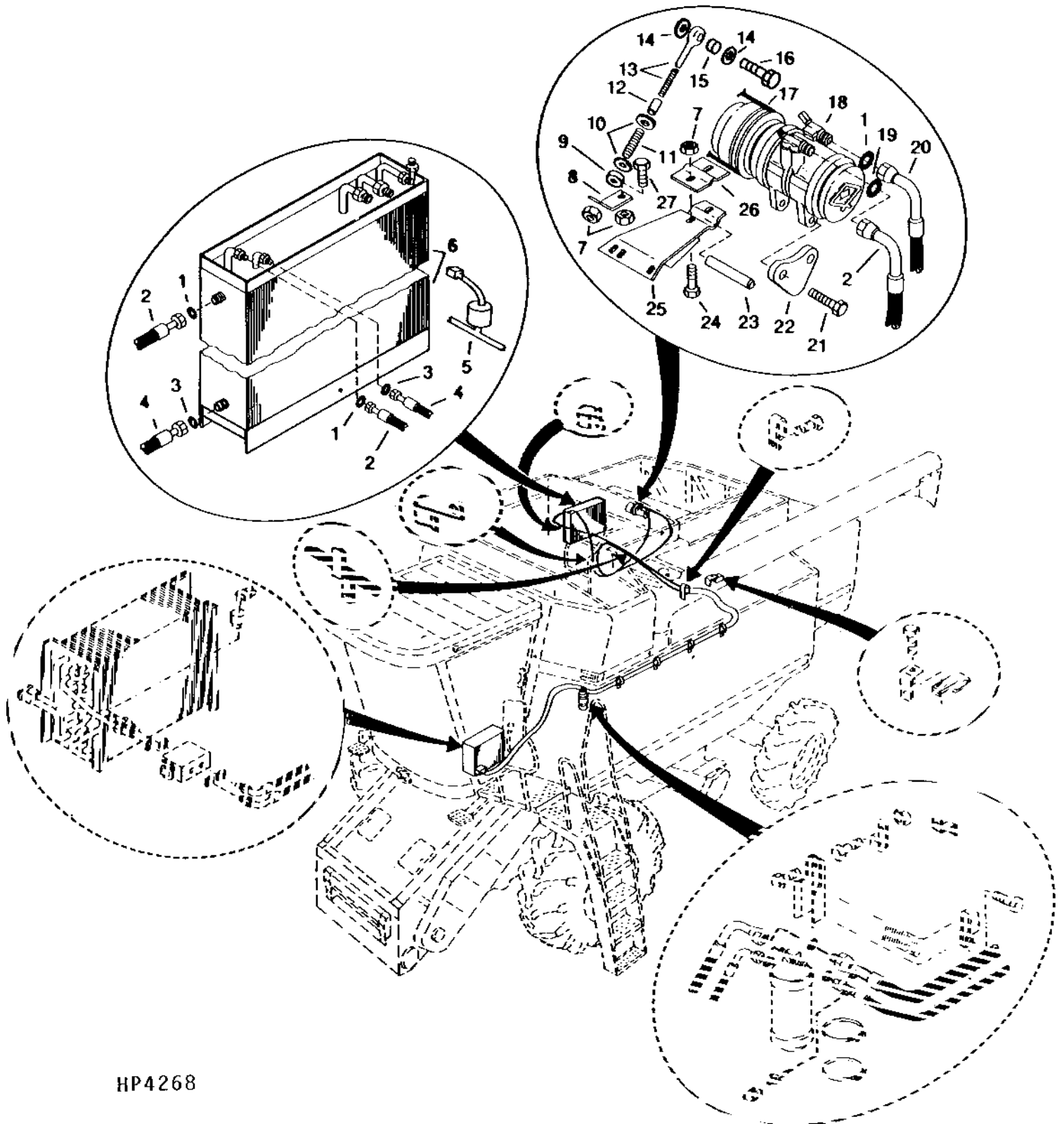
7H13

OPERATOR'S STATION

AIR CONDITIONING SYSTEM (FOR R-12 REFRIGERANT)

(-650200)

HP4268 -UN-01JAN94



HP4268

7H14

OPERATOR'S STATION

AIR CONDITIONING SYSTEM (FOR R-12 REFRIGERANT) - CONTINUED

(-650200)

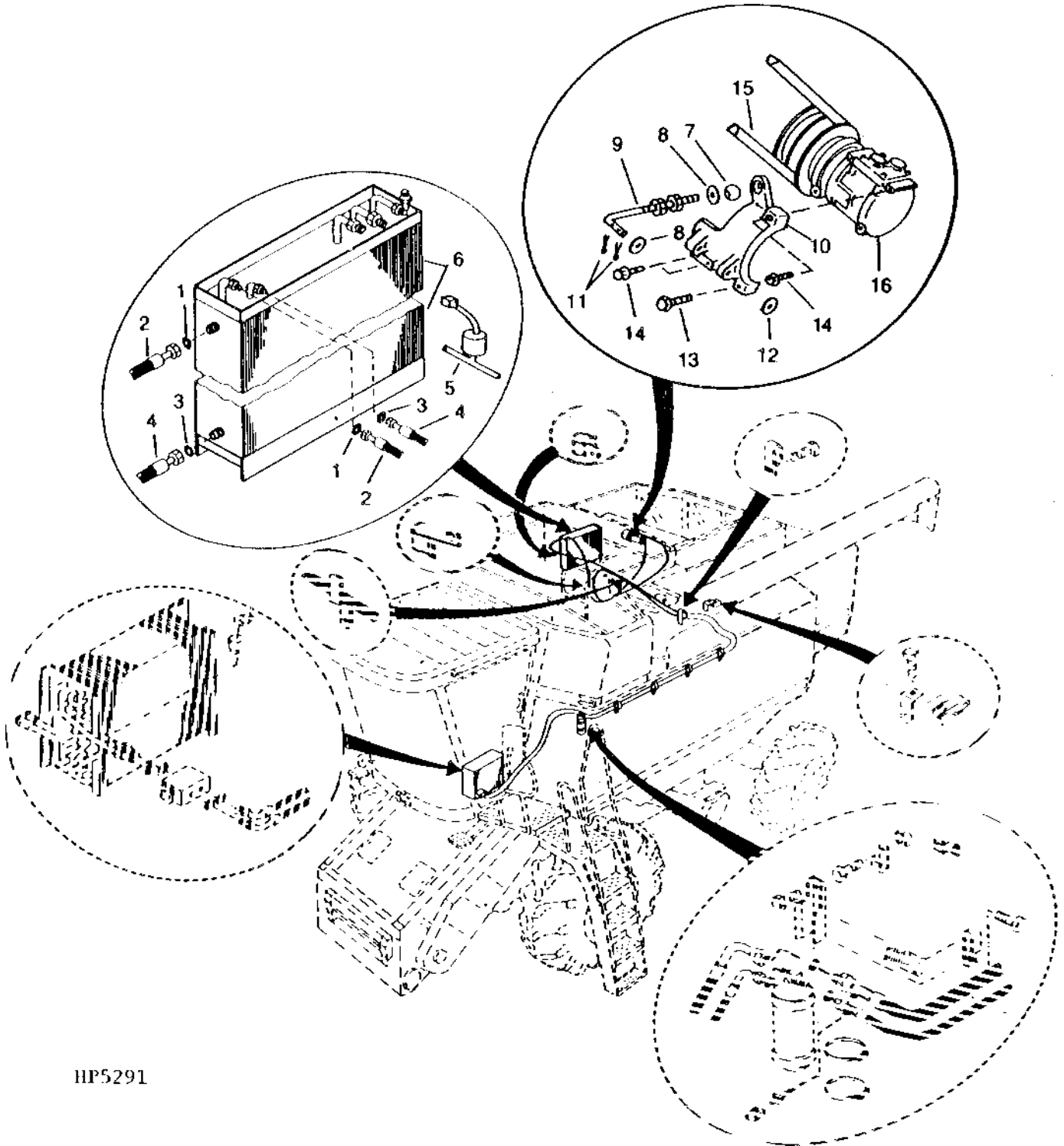
KEY	PART NO.	PART NAME	QTY	SERIAL NO.	S H 9 5 0 0 0	REMARKS
1	P51212	O-RING	1		X X	10.820 X 1.778 MM (0.426" X 0.070")
2	AH126044	HOSE	1		X X	3/4" X 2 000 MM (78-3/4") X 3/4", PRESSURE, LONGER HOSE USED FOR ALL
3	R10093	O-RING	1		X X	7.645 X 1.778 MM (0.301" X 0.070")
4	AH126036	HOSE	1		X X	5/8" X 5 780 MM (227-1/2") X 5/8"
5	RE24307	HIGH PRESSURE SWITCH	1		X X	HIGH PRESSURE
6	AH150219	OIL COOLER	1	670000-	X X	(SUB FOR AH120836 OR AH136172) OIL COOLER AND CONDENSER TOGETHER
7	14M7296	FLANGE NUT	2		X X	M10
8	H128194	BRACKET	1		X X	PRESSURE
9	H77337	WASHER	1	-635225	X	10.312 X 22.225 X 6.350 MM (13/32" X 7/8" X 1/4")
	H134214	GUIDE	1		X X	
10	24M7028	WASHER	2	-635225	X	10.500 X 20 X 2 MM
	24M7178	WASHER	2		X X	10.500 X 30 X 2.500 MM
11	H128906	COMPRESSION SPRING	1		X X	
12	28H1527	SPACER	1	-636754	X	12.522 X 17.145 X 34.925 MM (0.493" X 0.675" X 1-3/8")
	28H1495	SPACER	1		X X	12.522 X 17.145 X 25.400 MM (0.493" X 0.675" X 1")
13	H118539	EYEBOLT	1		X X	
14	24M7178	WASHER	1		X X	10.500 X 30 X 2.500 MM (0.413" X 1.181" X 0.098")
15	H118543	BUSHING	1		X X	
16	19M8118	CAP SCREW	1		X X	M10 X 35
17	H134437	BELT	1	630301-636000	X	12.700 X 1 470 MM (1/2" X 57.874")
	H81742	BELT	1	636000-648500	X X	12.700 X 1 346.200 MM (1/2" X 53")
	H80896	BELT	1	648501-	X X	12.700 X 1 422.500 MM (1/2" X 56.004")
18	TY6626	COMPRESSOR	1		X X	(SUB FOR RE12513) REMANUFACTURED
19	R33259	O-RING	1		X X	13.995 X 1.778 MM (0.551" X 0.070")
20	AH126034	HOSE	1		X X	SUCTION OR RETURN
21	19M8007	CAP SCREW	4		X X	M10 X 25
22	H125988	PIVOT	1		X X	
23	H125989	SHAFT	2		X X	
24	03M7191	BOLT	2		X X	M10 X 25
25	H136603	SUPPORT	1		X X	
26	H125991	CLAMP	1		X X	
27	19M7786	SCREW	1		X X	M10 X 30
..	R49856	OIL	1		X X	1 QT. REFRIGERANT OIL
..	TY22101	OIL	1		X X	(SUB FOR TY22025)

7H15

OPERATOR'S STATION

AIR CONDITIONING SYSTEM (FOR R134A REFRIGERANT)

(650201-)
HP5291 -UN-01JAN94



HP5291

7H16

OPERATOR'S STATION

AIR CONDITIONING SYSTEM (FOR R134A REFRIGERANT) - CONTINUED
(650201-)

KEY	PART NO.	PART NAME	QTY	SERIAL NO.	S H 9 9 5 5 0 0 0 0	REMARKS
1	P51212	O-RING	1	-650200	X X	10.820 X 1.778 MM (0.426" X 0.070")
	R113050	RING	1	650201-	X X	10.820 X 1.778 MM (0.426" X 0.070")
2	AH142107	REFRIGERANT HOSE	1		X X	PRESSURE
3	R10093	O-RING	1		X X	7.645 X 1.778 MM (0.301" X 0.070")
4	AH142103	HOSE	1		X X	
5	RE24307	HIGH PRESSURE SWITCH	1		X X	
6	AH150219	OIL COOLER	1		X X	(SUB FOR AH136172) OIL COOLER AND CONDENSER TOGETHER, NOT FOR 253 HP ENGINE
	AH149618	VAPOR CONDENSER	1		X X	(SUB FOR AH140471) EVAPORATOR
7	P45458	BALL	1		X X	
8	24M7047	WASHER	2		X X	13 X 24 X 2.500 MM
9	H145987	HOOK BOLT	1		X X	
	14M7275	NUT	2		X X	M12
10	H145986	ARM	1		X X	
11	11M7021	COTTER PIN	2		X X	4 X 25 MM
12	24M7047	WASHER	1		X X	13 X 24 X 2.500 MM
13	19M7838	SCREW	1		X X	M12 X 130
14	19M7913	SCREW	3		X X	M8 X 90
15	H80896	BELT	1		X X	12.700 X 1 422.500 MM (1/2" X 56.004")
16	TY6765	COMPRESSOR	1		X X	FOR USE ON ALL MACHINES PRIOR TO 1993
	RE46657	COMPRESSOR	1		X X	

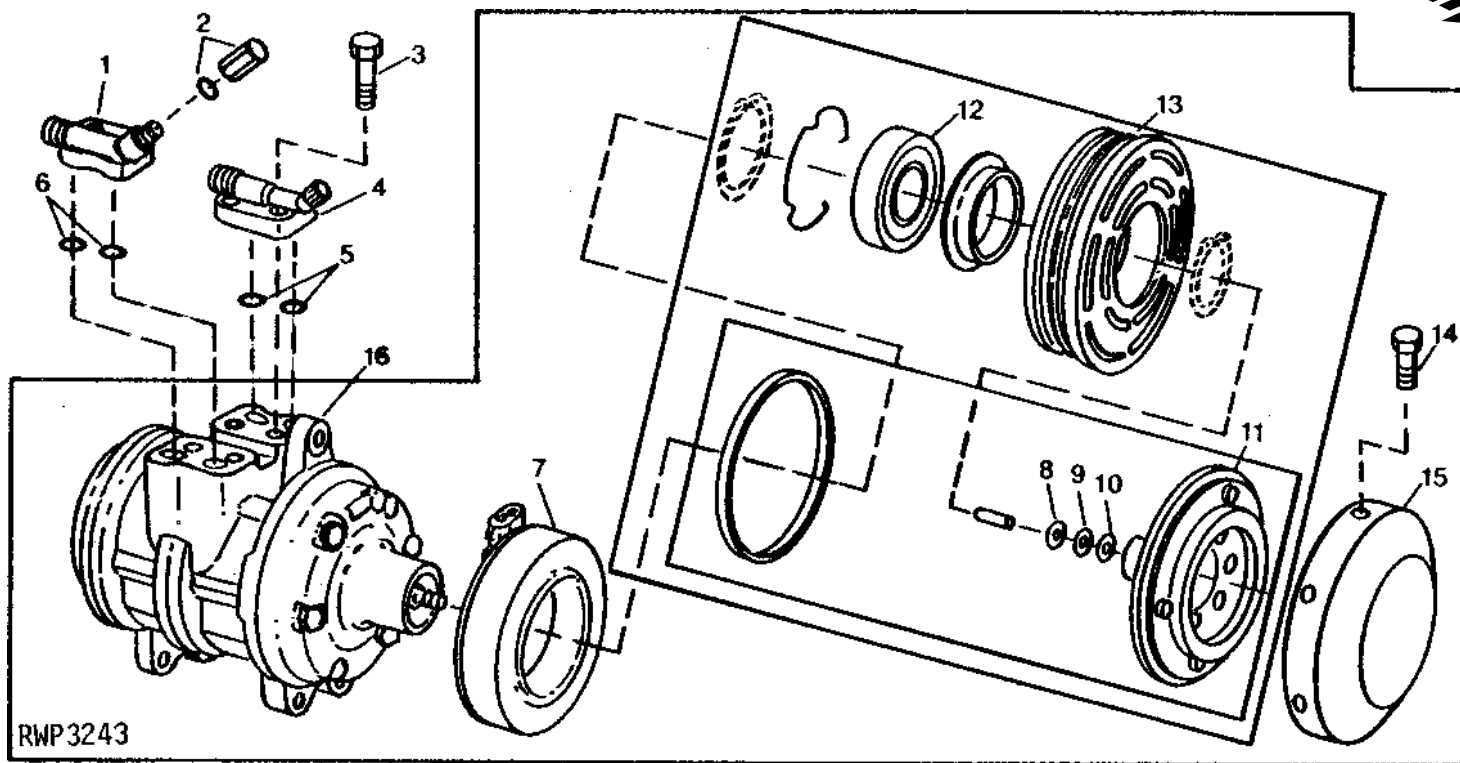
7H17

OPERATOR'S STATION

COMPRESSOR CLUTCH AND SERVICE VALVES (FOR R-12 REFRIGERANT)

(-650200)

RWP3243 -UN-01JAN94



KEY	PART NO.	PART NAME	QTY	SERIAL NO.	S	H	REMARKS
					9	9	
					5	5	
					0	0	
					0	0	
1	RE10981	MANIFOLD	1		X	X	
2	RE10982	VALVE	1		X	X	
3	19M8446	SCREW	4		X	X	M8 X 20, HS 12.9
4	RE10980	MANIFOLD	1		X	X	
5	R77401	O-RING	2		X	X	
6	R77400	PACKING	2	-661595	X	X	(SUB R123145)
	R123145	PACKING	2		X	X	
7	R85688	STATOR	1		X	X	
8	R77391	WASHER	AR		X	X	
9	R77392	SHIM	AR		X	X	
10	R77393	SHIM	AR		X	X	
11	RE10974	KIT	1		X	X	
12	R77394	BEARING	1		X	X	
13	RE10975	KIT	1		X	X	
14	R77390	SCREW	6		X	X	
15	R77389	COVER	1		X	X	
16	TY6626	COMPRESSOR	1		X	X	
..	R49856	OIL	1		X	X	0.9L (1 QT)

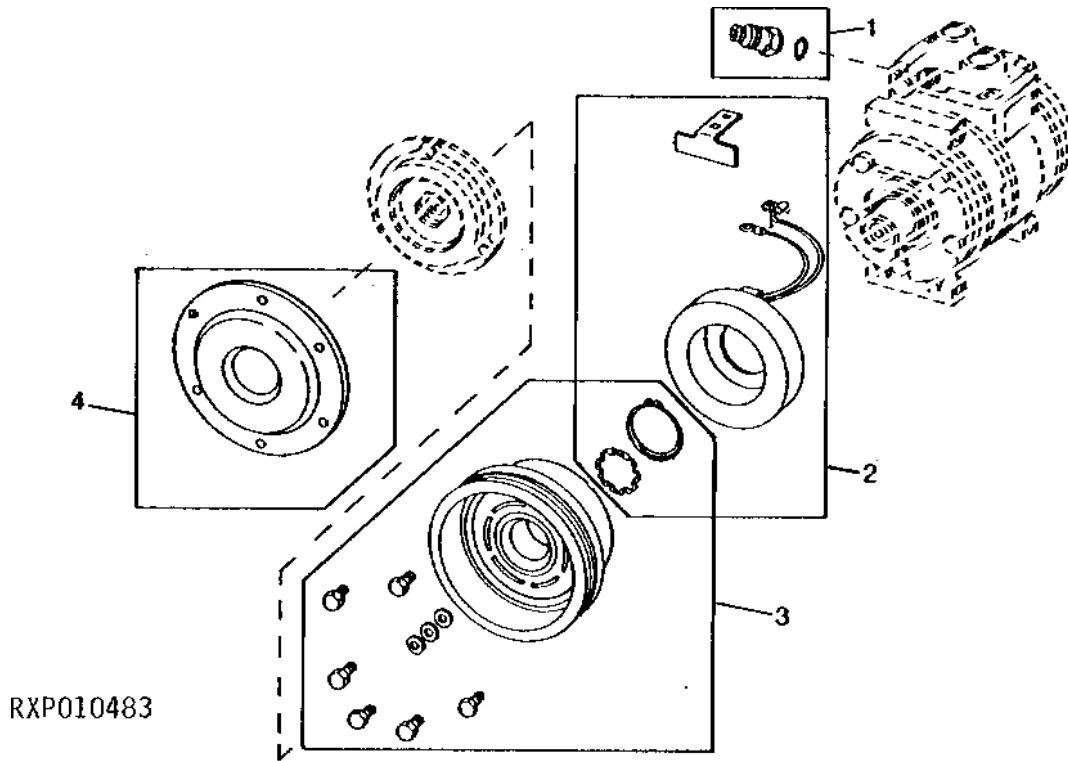
7H18

OPERATOR'S STATION

COMPRESSOR CLUTCH AND SERVICE VALVES (FOR R-12 REFRIGERANT)

(-650200)

RXP010483 -UN-01JAN94



S
H
9 9
5 5
0 0
0 0

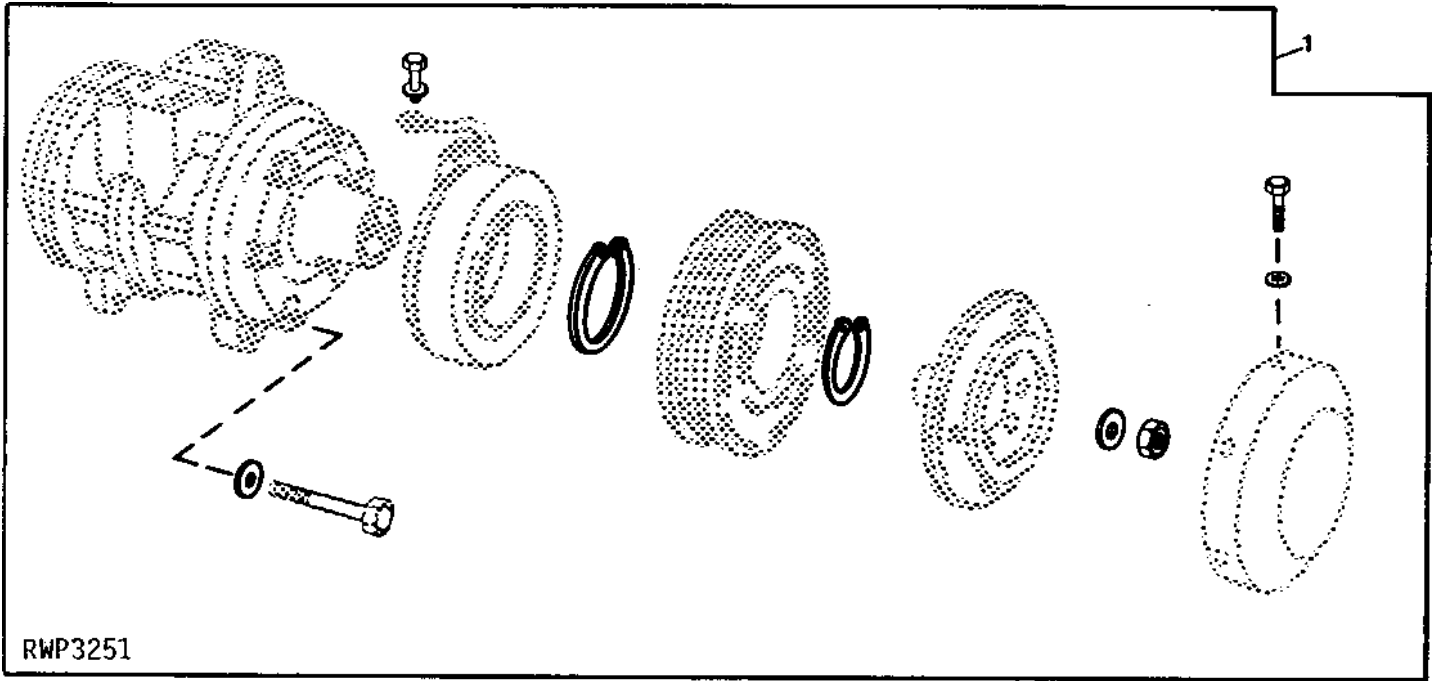
KEY	PART NO.	PART NAME	QTY	SERIAL NO.	REMARKS
1	RE52506	VALVE	1		X X
2	RE52510	STATOR	1		X X
3	RE53408	KIT	1		X X
4	R115743	COVER	1		X X

7H19

OPERATOR'S STATION

COMPRESSOR HARDWARE SET (FOR R-12 REFRIGERANT)

(-650200)
RWP3251 -UN-01JAN94



KEY	PART NO.	PART NAME	QTY	SERIAL NO.	S H 9 5 0 0	REMARKS
1	RE10976	KIT	1		X X	

MEMORANDA

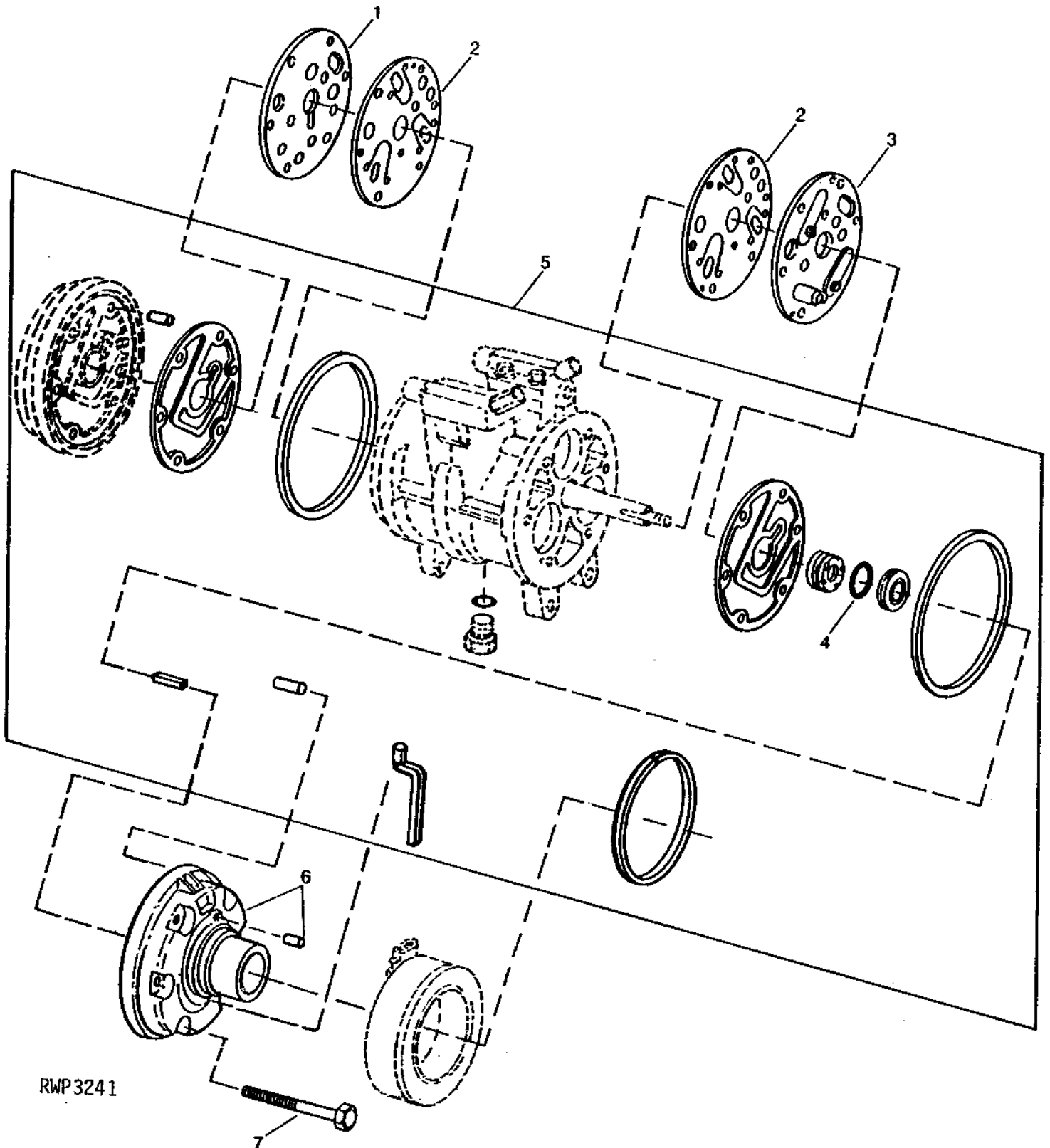
7H20

OPERATOR'S STATION

COMPRESSOR PARTS (FOR R-12 REFRIGERANT)

(-650200)

RWP3241 -UN-01JAN94



RWP3241

7H21

OPERATOR'S STATION

COMPRESSOR PARTS (FOR R-12 REFRIGERANT) - CONTINUED
(-650200)

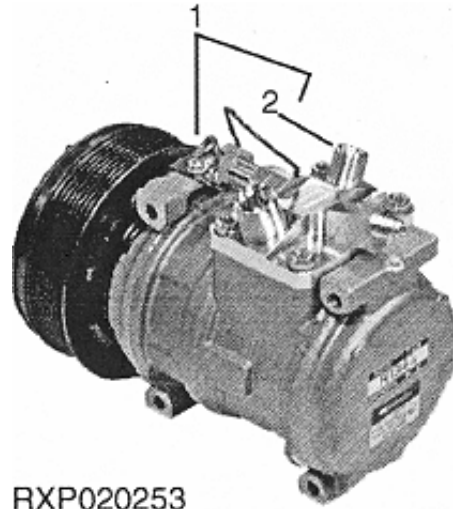
KEY	PART NO.	PART NAME	QTY	SERIAL NO.	S H 9 9 5 5 0 0 0 0	REMARKS
1	RE10979	PLATE	1		X X	
2	R77397	VALVE	2		X X	
3	RE10978	PLATE	1		X X	
4	R77399	PACKING	1		X X	
5	RE10973	KIT	1		X X	
6	RE10977	CYLINDER HEAD	1		X X	
7	R77396	SOCKET HEAD SCREW	6		X X	

7H22

OPERATOR'S STATION

AIR CONDITIONING COMPRESSOR (FOR R134A REFRIGERANT)

(650201-)
RXP020253 -UN-01JAN94



RXP020253

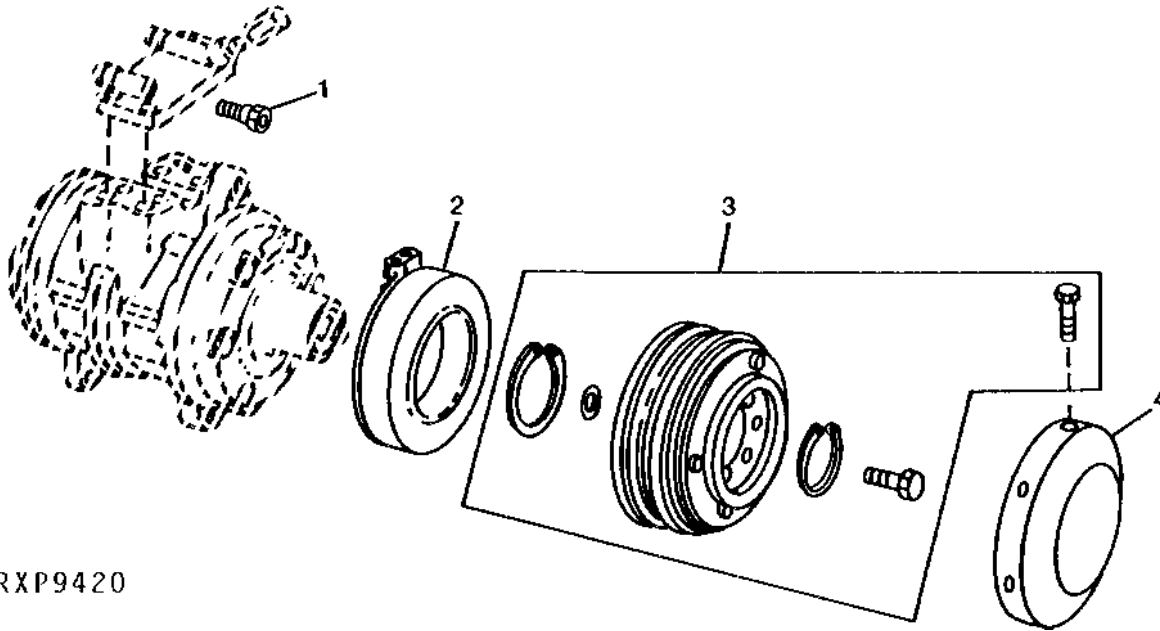
KEY	PART NO.	PART NAME	QTY	SERIAL NO.	REMARKS
				S H 9 5 0 0	
1	RE52454	COMPRESSOR	1	X X	WITHOUT MANIFOLD
2	RE51052	MANIFOLD	1	X X	
..	R115742	SEAL	1	X X	
..	TY22025	OIL	1	X X	(SUB TY22101) 250 ML
..	TY22101	OIL	1	X X	250 ML
..	TY15949	REFRIGERANT	1	X X	12 LBS R134A
..	TY15950	REFRIGERANT	1	X X	15 LBS R134A
..	TY15951	REFRIGERANT	1	X X	30 LB R134A
..	RE46657	COMPRESSOR	1	X X	COMPLETE
..	TY6768	COMPRESSOR	1	X X	USE ON ALL MACHINES PRIOR TO 1993

7H23

OPERATOR'S STATION

COMPRESSOR CLUTCH/STATOR/DUST COVER (FOR R134A REFRIGERANT)

(650201-)
RXP9420 -UN-01JAN94



RXP9420

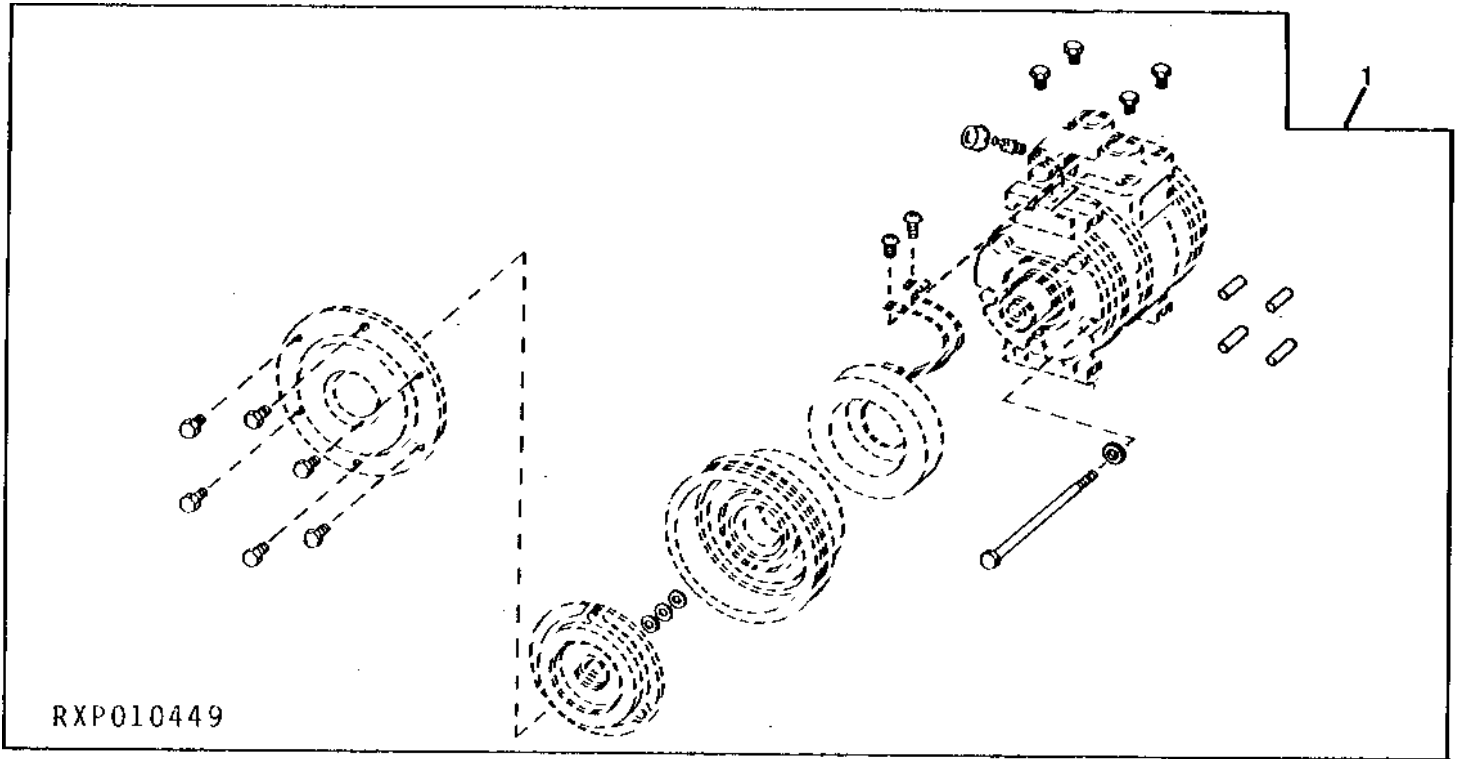
KEY	PART NO.	PART NAME	QTY	SERIAL NO.	S H 9 5 0 0	REMARKS
1	RE52506	VALVE	1		X X	
2	RE52510	STATOR	1		X X	
3	RE53408	KIT	4	-656541	X X	(SUB RE58348 AND R122351)
	RE58348	KIT	4		X X	
	R122351	COVER	4		X X	
4	R115743	COVER	1		X X	

7H24

OPERATOR'S STATION

COMPRESSOR HARDWARE SET (FOR 134A REFRIGERANT)

(650201-)
RXP010449 -UN-01JAN94



KEY	PART NO.	PART NAME	QTY	SERIAL NO.	REMARKS
1	RE52507	KIT	1		

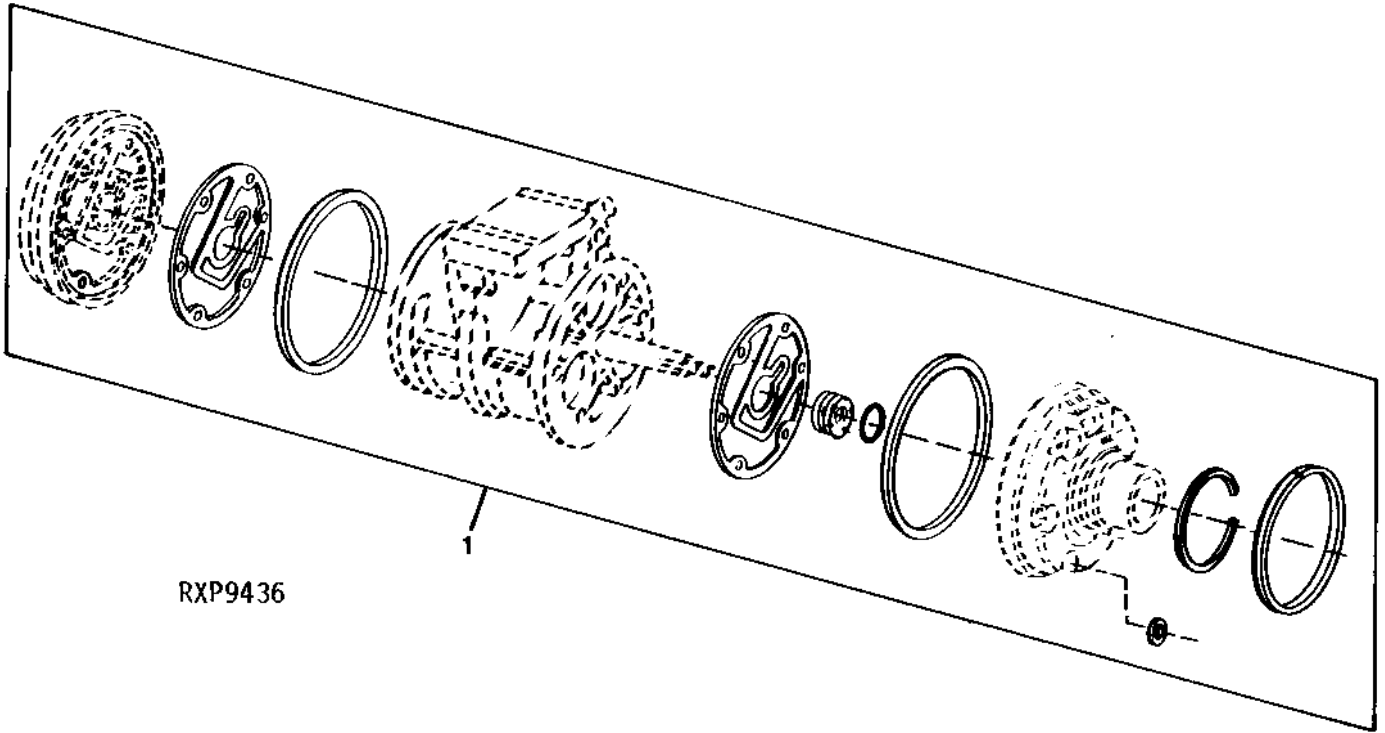
S
H
9 9
5 5
0 0
0 0

7H25

OPERATOR'S STATION

COMPRESSOR PARTS (FOR R134A REFRIGERANT)

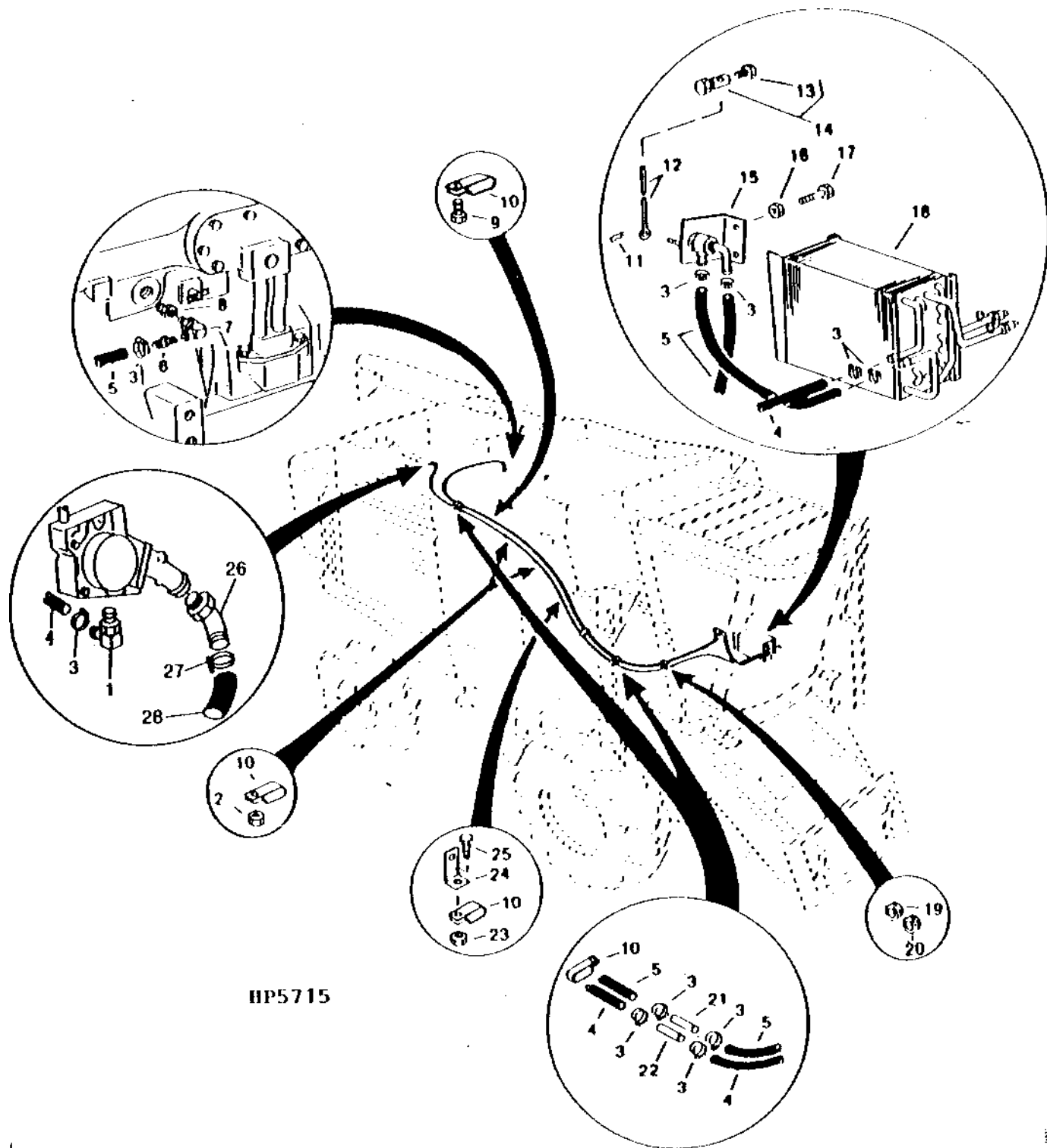
(650201-)
RXP9436 -UN-01JAN94



RXP9436

KEY	PART NO.	PART NAME	QTY	SERIAL NO.	S H 9 9 5 5 0 0 0 0	REMARKS
1	RE52509	SEAL KIT	1		X X	

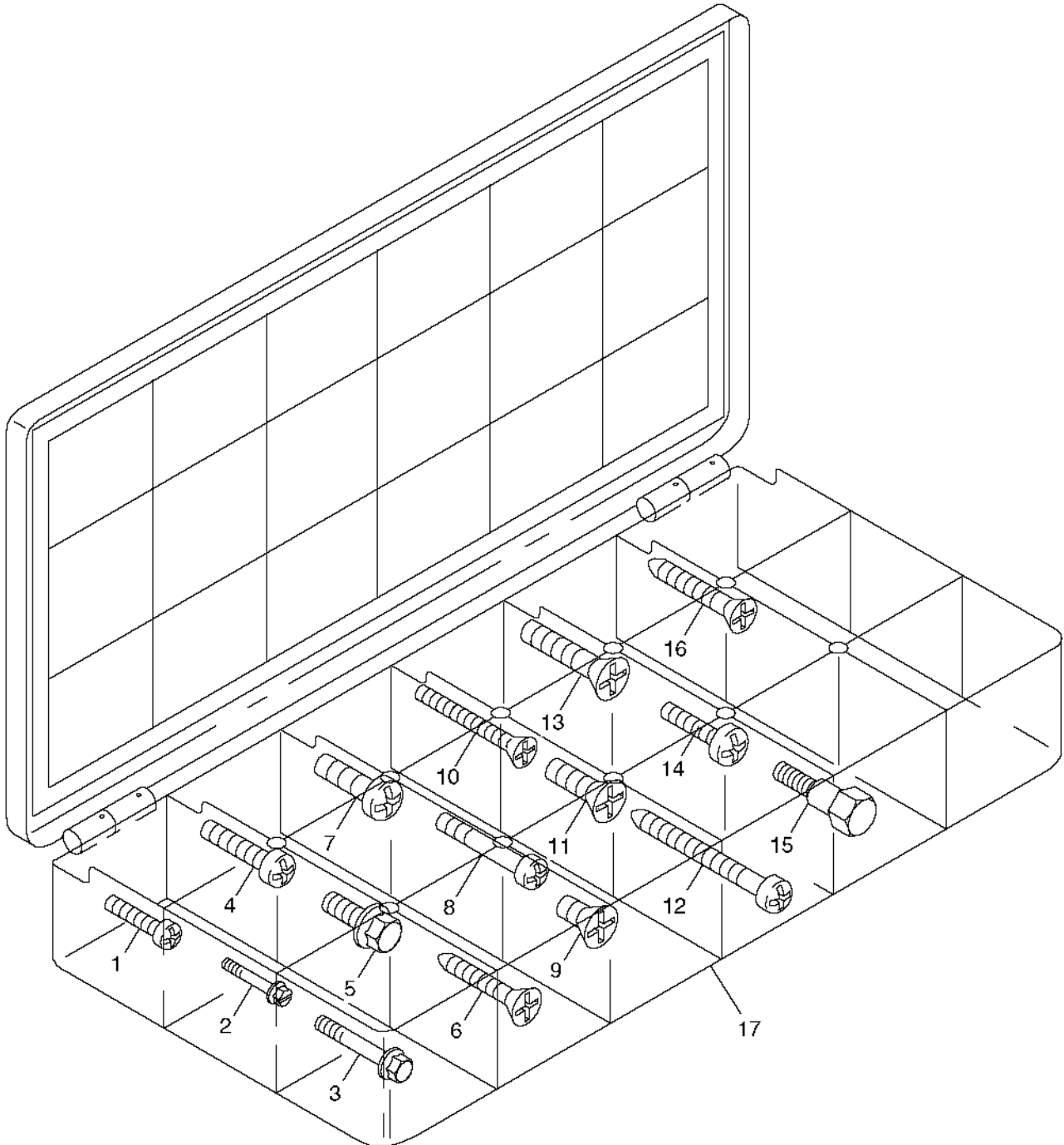
HEATER SYSTEM
HP5715 -UN-01JAN94



HEATER SYSTEM - CONTINUED

KEY	PART NO.	PART NAME	QTY	SERIAL NO.	S H 9 5 0 0	REMARKS
1	AH64349	HOSE FITTING	1		X X	
2	14M7296	FLANGE NUT	1		X X	M10
3	TY22465	HOSE CLAMP	AR		X X	(SUB FOR AR21837)
4	TY22330	BULK HOSE	3		X X	(SUB FOR H108935)
5	TY22328	BULK HOSE	1		X X	(CUT TO LENGTH) (SUB FOR R45847)
6	H23196	FITTING	1		X X	
7	15H200	ELBOW FITTING	1		X X	
8	15H590	PIPE BUSHING	1		X X	12.700 MM (1/2") (SUB FOR 15H565)
9	19M7865	SCREW	1		X X	
10	H117952	CLAMP	4		X X	
11	H132922	COTTER PIN	1		X X	
12	H134655	PIN	1		X X	
13	SCREW	1		X X	(ORDER AH130610)
14	AH130610	BALL JOINT	1		X X	
15	AH127974	CONTROL VALVE	1		X X	
16	14M7303	FLANGE NUT	1		X X	M6
17	19M7775	SCREW	1		X X	M6 X 16
18	AH132264	EVAPORATOR	1		X X	(SUB FOR AH130957) HEATER AND EVAPORATOR COMBINATION
19	R50456	GROMMET	1		X X	
20	H36221	GROMMET	1		X X	
21	H81010	BUSHING	1	-662603	X	14.097 X 15.748 X 88.900 MM (0.555" X 0.620" X 3-1/2")
	H153721	COUPLING	1	662604-	X	
22	H153722	COUPLING	1		X	(SUB FOR H101870)
23	14M7298	FLANGE NUT	1		X X	M8
24	H132662	BRACKET	1		X X	
25	19M7866	SCREW	1		X X	M8 X 20
26	H146887	TUBE	1		X X	
27	AR21999	HOSE CLAMP	1		X X	
28	AH137758	HOSE	1		X X	HEATER RETURN
..	H77698	TIE BAND	1		X X	

CAB HARDWARE KIT
HP3731 -UN-01SEP99



HP3731

CAB HARDWARE KIT - CONTINUED

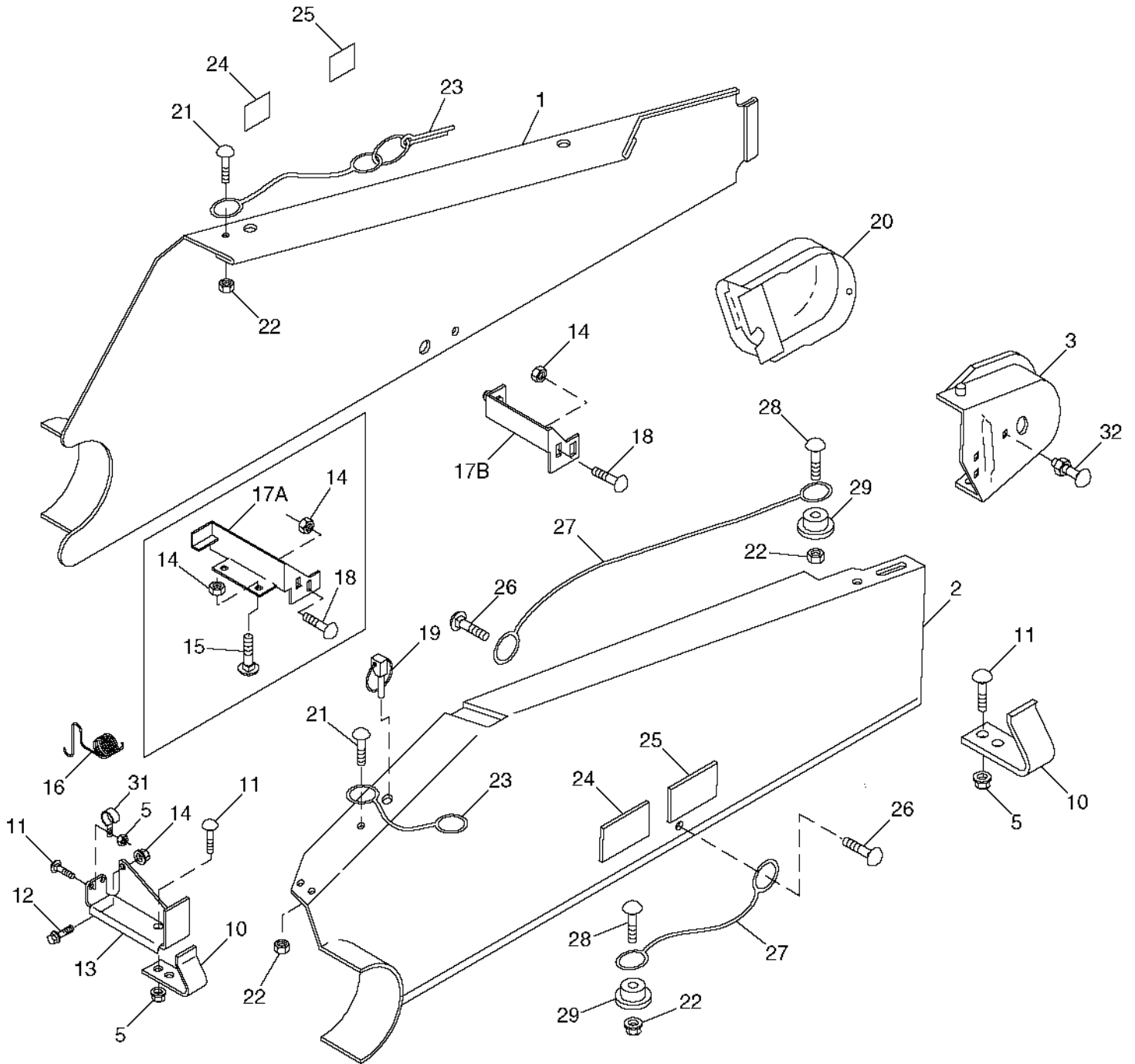
KEY	PART NO.	PART NAME	QTY	SERIAL NO.	S H 9 5 0 0 0 0	REMARKS
1	H110842	SCREW	10		X X	3.5 M X 20
2	H111364	SCREW	10		X X	3.5 M X 12
3	H111705	SCREW	10		X X	5.5 M X 19
4	H111706	SCREW	10		X X	4.2 M X 16
5	H114038	SCREW	5		X X	6.480 M X 12
6	H119088	SCREW	10		X X	4.2 M X 25
7	H123995	SCREW	10		X X	6.480 M X 18
8	H128859	SCREW	5		X X	4.826 X 22.280 MM (0.190" X 0.877")
9	H130192	SCREW	5		X X	M6 X 12
10	H130194	CAP SCREW	10		X X	M4 X 30
11	H158579	SCREW	4		X X	M5 X 12, (SUB FOR H130195)
12	H130298	SCREW	3		X X	M5 X 40
13	H165691	SCREW	10		X X	M6 X 20, (SUB FOR H131591 OR H168780)
14	37M7182	SCREW	10		X X	4.8 M X 19
15	H131424	BOLT	3		X X	M6 X 20.750
16	H132899	SCREW	5		X X	4.2 M X 25
17	AH133088	KIT	1		X X	

MEMORANDA

MEMORANDA

8C4

FEEDER HOUSE DRIVE SHIELDS AND SAFETY STOP
HP9311 -UN-19NOV99



HP9311

8C5

FEEDER HOUSE FRAMES AND SHIELDS

FEEDER HOUSE DRIVE SHIELDS AND SAFETY STOP - CONTINUED

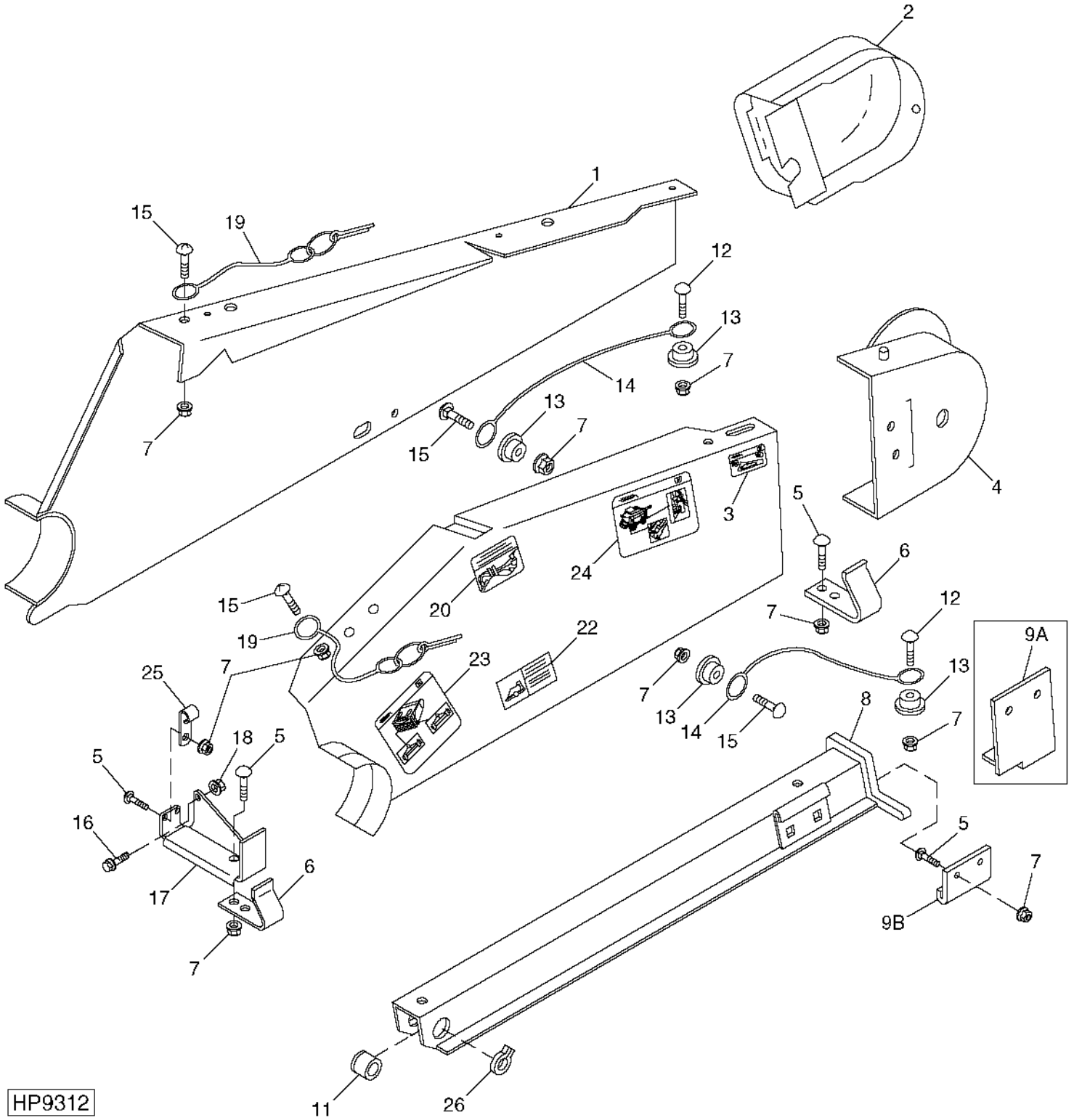
KEY	PART NO.	PART NAME	QTY	SERIAL NO.	S H 9 5 0 0	REMARKS
1	AH130894 AH156377	SHIELD SHIELD	1 1	-640200 640201-	X X	R.H. (SUB FOR AH151302, AH141807, AH135962 OR AH138092) R.H.
2	AH156406	SHIELD	1	2JUN97-	X	(SUB FOR AH130545, AH134824 OR AH153819)
3	AH156066	SHIELD	1		X	(SUB FOR AH130176 OR AH134826)
4A	AH143871	STOP	1	-652038	X	(SUB FOR AH128447 OR AH141152)
4B	AH144030	STOP	1	652039-	X	
5	14M7298	FLANGE NUT	8		X	M8
6	H127625	SUPPORT	1	-652038	X	
7	03M7183	BOLT	2		X	M8 X 16
8	A15146	SPRING LOCKING PIN	1	-655218	X	NO LONGER USED
9	H150054	BUSHING	2		X	(SUB FOR H135407)
10	H140122	CLIP	2		X	
11	03M7183	BOLT	6		X	M8 X 16
12	19M7784	SCREW	1		X	M10 X 20
13	H134085	BRACKET	1		X	
14	14M7296	FLANGE NUT	4		X	M10
15	03M7191	BOLT	1		X	M10 X 25
16	H127781	SPRING	1		X	
17A	H134733	BRACKET	1	-640200	X	
17B	AH136358	RETAINER	1	640201-	X	
18	03M7190	BOLT	2		X	M10 X 20
19	M72598	QUICK LOCK PIN	4		X	
20	H146766	POWERSHAFT SHIELD	1		X	(SUB FOR AH139352) R.H.
21	21M7125	SCREW	2		X	M8 X 25
22	14M7298	FLANGE NUT	4		X	M8
23	AH135290	QUICK LOCK PIN	2	640201-	X	
24	H137939	LABEL	1	640201-	X	(HARNES AND HOSE STORAGE)
	H149063	LABEL	2	2JUN97-	X	
25	H126397	LABEL	1	640201-	X	(VARIABLE SPEED DRIVE)
	H164537	SIGN	2	29SEP7-	X	SERVICE
26	03M7186	BOLT	2		X	M8 X 30
27	AH134121	CABLE	2	640201-	X	
28	21M7125	SCREW	2		X	M8 X 25
29	M93425	SPACER	2	640201-	X	
30	40M7058	SNAP RING	2		X	(SUB FOR Z56747 OR H150454)
31	AH89496	BRACKET	1		X	
32	03M7185	BOLT	1	673011-	X	M8 X 25
	14M7298	FLANGE NUT	1	673011-	X	M8
..	BH81390	COMPLETE GOODS/SHIP. BUNDLE	1		X	RETROFIT - NARROW FEEDER HOUSE

8C6

FEEDER HOUSE FRAMES AND SHIELDS

FEEDER HOUSE DRIVE SHIELDS AND SAFETY STOP (SIDEHILL)

HP9312 -UN-18NOV99



HP9312

8C7

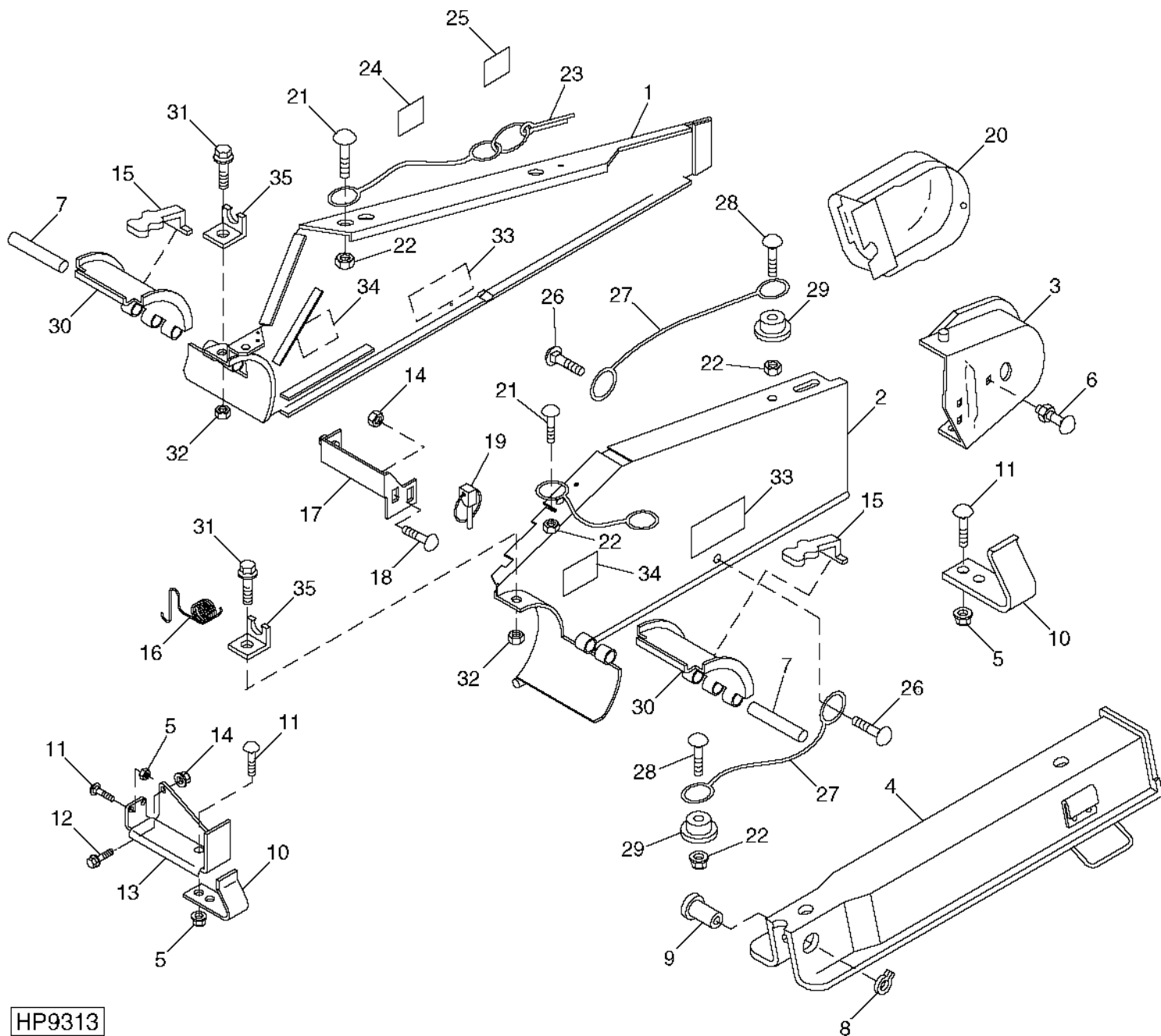
FEEDER HOUSE FRAMES AND SHIELDS

FEEDER HOUSE DRIVE SHIELDS AND SAFETY STOP (SIDEHILL) - CONTINUED

KEY	PART NO.	PART NAME	QTY	SERIAL NO.	S H 9 5 0 0	REMARKS
1	AH139173	POWERSHAFT SHIELD	1		X	R.H.
2	AH139352	POWERSHAFT SHIELD	1		X	5" WIDE, R.H.
3	H126397	LABEL	1		X	"VARIABLE SPEED DRIVE" ON SIDE OF SHIELD
4	AH156066	SHIELD	1		X	(SUB FOR AH134826)
5	03M7183	BOLT	6		X	M8 X 16
6	H140122	CLIP	2		X	
7	14M7298	FLANGE NUT	14		X	M8
8B	AH144031	STOP	1		X	(SUB FOR AH136131, AH143215 OR AH143870)
9A	H141677	SUPPORT	1	-655200	X	
9B	H150055	SUPPORT	1	655201-	X	
10	A15146	SPRING LOCKING PIN	1	-655200	X	
11	H150054	BUSHING	2		X	(SUB FOR H135407)
12	03M7186	BOLT	1		X	M8 X 30
13	M93425	SPACER	4		X	
14	AH134121	CABLE	2		X	(INCLUDES R73290)
15	21M7125	SCREW	6		X	M8 X 25
16	19M7784	SCREW	1		X	M10 X 20
17	H134085	BRACKET	1		X	
18	14M7296	FLANGE NUT	1		X	M10
19	AH135290	QUICK LOCK PIN	5		X	
20	H137939	LABEL	1		X	(ON OUTSIDE OF SHIELD)
21	AH141257	SHIELD	1		X	L.H.
22	H149063	LABEL	2		X	(SUB FOR H133639) "HEADER DANGER" ON SIDE OF SHIELD
23	H147324	LABEL	1		X	"SIDEHILL HEADER DRIVESHAFT LUBE" ON SHIELD
24	H141881	LABEL	1		X	"SIDEHILL FINAL DRIVE LUBE" ON SHIELD
25	AH89496	BRACKET	1		X	
26	40M7058	SNAP RING	2		X	(SUB FOR Z56747 OR H150454)

FEEDER HOUSE DRIVE SHIELDS AND SAFETY STOP - CONTOUR MASTER

(661186-)
HP9313 -UN-19NOV99



HP9313

8C9

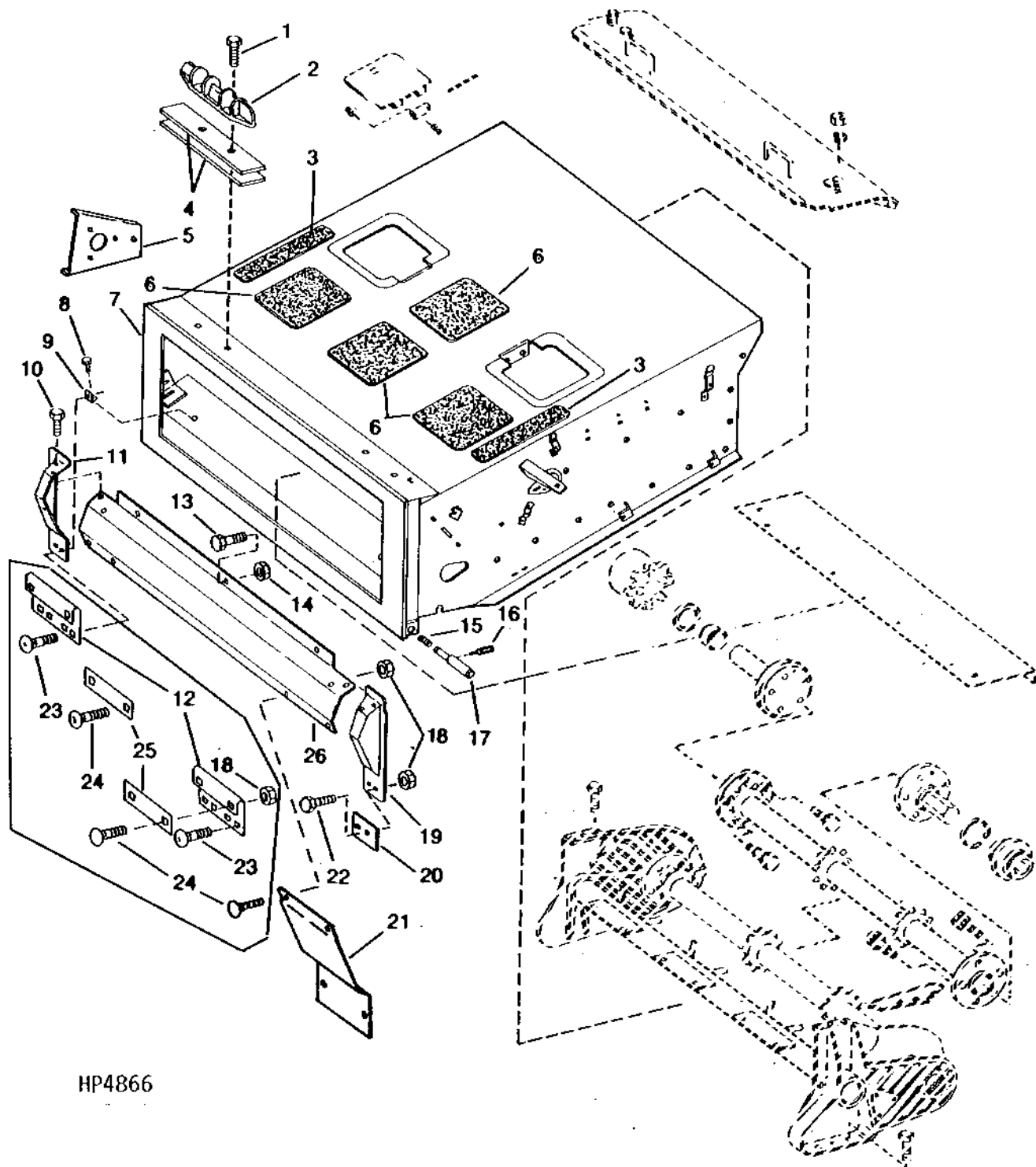
FEEDER HOUSE FRAMES AND SHIELDS

FEEDER HOUSE DRIVE SHIELDS AND SAFETY STOP - CONTOUR MASTER - CONTINUED (661186-)

KEY	PART NO.	PART NAME	QTY	SERIAL NO.	S H 9 5 0 0 0 0	REMARKS
1	AH156375	SHIELD	1		X	(SUB FOR AH151598, AH146197 OR AH145631) R.H.
2	AH156374	SHIELD	1		X	(SUB FOR AH149088, AH146198 OR AH145580) L.H.
3	AH156066	SHIELD	1		X	(SUB FOR AH134826)
4	AH157492	STOP	1		X	(SUB FOR AH144030 OR AH157306)
5	14M7298	FLANGE NUT	6		X	M8
6	03M7185	BOLT	2		X	M8 X 25
	14M7298	FLANGE NUT	2		X	
7	PIN	2		X	(MAKE FROM H76083) (CUT TO 6.88 IN. LENGTH)
8	40M7058	SNAP RING	1		X	
9	H150054	BUSHING	2		X	
10	H140122	CLIP	2		X	
11	03M7183	BOLT	6		X	M8 X 16
12	19M7784	SCREW	1		X	M10 X 20
13	H134085	BRACKET	1		X	
14	14M7296	FLANGE NUT	4		X	M10
15	A44990	LATCH	2		X	
16	H127781	SPRING	1		X	
17	AH136358	RETAINER	1		X	
18	03M7190	BOLT	2		X	M10 X 20
19	M72598	QUICK LOCK PIN	4	-660200	X	
20	H146766	POWERSHAFT SHIELD	1		X	R.H.
21	21M7125	SCREW	3		X	M8 X 25
22	14M7298	FLANGE NUT	4		X	M8
23	AH135290	QUICK LOCK PIN	3		X	
24	H137939	LABEL	1		X	(HARNESS AND HOSE STORAGE)
25	H126397	LABEL	1		X	(VARIABLE SPEED DRIVE)
26	03M7186	BOLT	2		X	M8 X 30
27	AH134121	CABLE	1		X	(INCLUDES R73290)
28	21M7125	SCREW	2		X	M8 X 25
29	M93425	SPACER	2		X	
30	H156379	SHIELD	2	671194-	X	(SUB FOR H151757 OR H150335)
31	19M7775	SCREW	2		X	M6 X 16
32	14M7397	LOCK NUT	2		X	M6
33	H149063	LABEL	2		X	"DANGER"
34	H150434	LABEL	2		X	(LUBE)
35	H141549	CLAMP	2		X	
..	BH81446	COMPLETE GOODS/SHIP. BUNDLE	1		X	RETROFIT - NARROW FEEDER HOUSE (CONTOUR MASTER)

8C10

FEEDER HOUSE FRAME
HP4866 -UN-01JAN94



HP4866

8C11

FEEDER HOUSE FRAMES AND SHIELDS

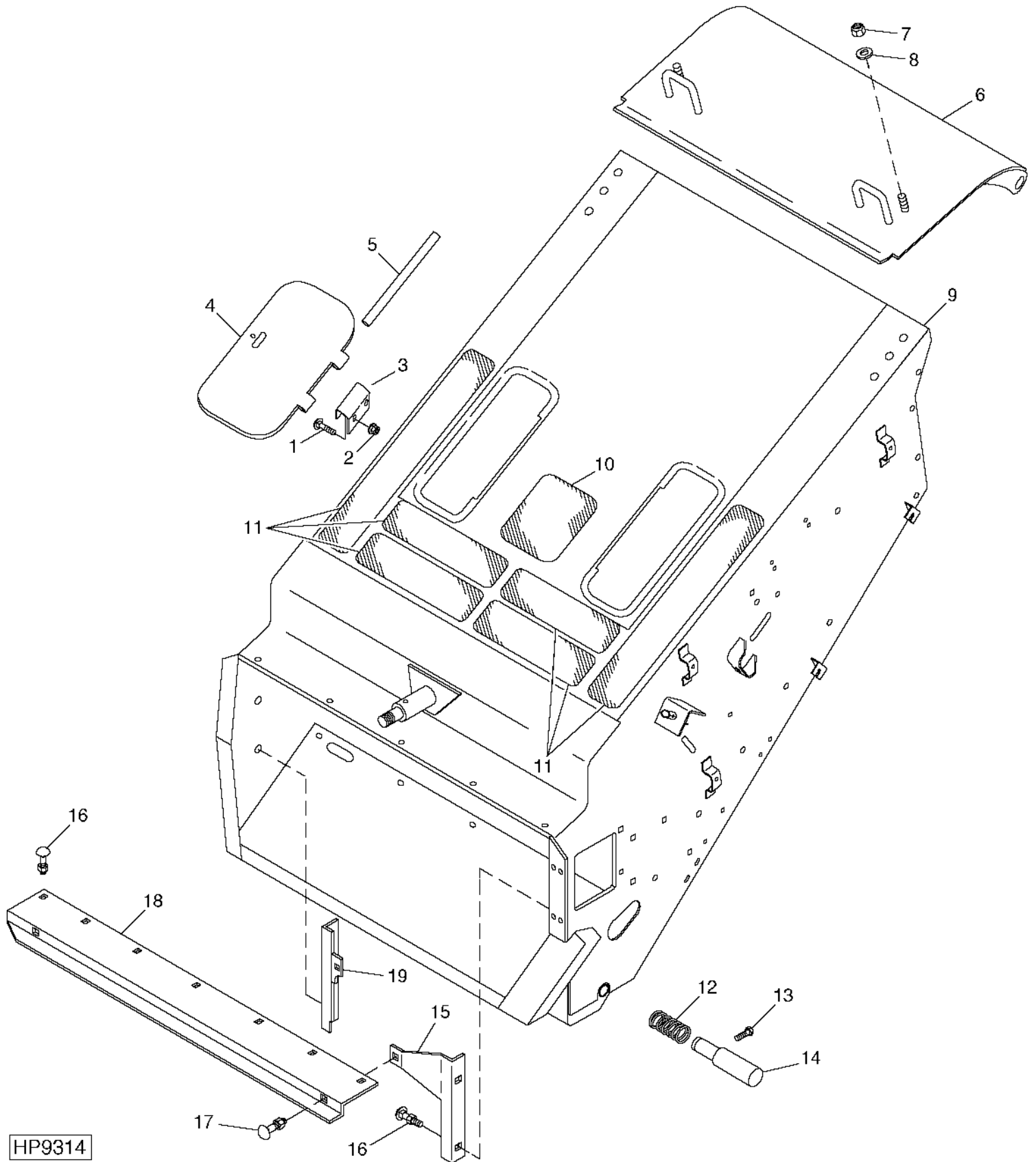
FEEDER HOUSE FRAME - CONTINUED

KEY	PART NO.	PART NAME	QTY	SERIAL NO.	S H 9 5 0 0	REMARKS
1	19M7814	SCREW	4		X	M12 X 50
2	H159975	BLOCK CLAMP	2		X	(SUB FOR H93556)
3	H136013	MAT	2	-670697	X	
	H131743	MAT	1	670698-	X X	
4	H175703	SHIM	4		X	(SUB FOR H133843)
5	H141835	REINFORCEMENT	2	636353-	X	
6	H136015	MAT	4		X	
7	AH139516	FRAME	1		X	(SUB FOR AH125514 OR AH137831)
	AH139641	FRAME	1	643088-	X	RICE
8	03M7192	BOLT	4		X	M10 X 30
9	H134896	ANGLE	2		X	
	H144063	ANGLE	2	-640581	X	
10	03M7190	BOLT	1		X	M10 X 20
11	H123636	DEFLECTOR	1		X	
12	H135941	SUPPORT	2	-640200	X	(SUB H143407) FOR HEADERS WITH S/N -640250 AND PRIOR
13	19M7784	SCREW	6		X	M10 X 20
14	14M7296	FLANGE NUT	6		X	M10
15	124424	SPRING	2		X	
16	H134140	BOLT	2		X	
17	H130826	PIN	2		X	25.400 X 415.500 MM (1" X 16.358")
18	14M7296	FLANGE NUT	4		X	M10
19	H123637	DEFLECTOR	1		X	
20	H135941	SUPPORT	2	-640200	X	(SUB H143407) FOR HEADERS WITH S/N 640250- AND UP
	H143407	WEAR PLATE	2		X	
21	H123638	EXTENSION	2		X	RICE OPT.- REQUIRES TWO MORE H134896
22	19M7784	SCREW	7		X	M10 X 20
23	03M7191	BOLT	4	-638900	X	M10 X 25
24	03M7190	BOLT	4	-638900	X	M10 X 20
25	H87765	STRIPPER	2	-640200	X	(SUB H143407) REMOVED,THIS APPLICATION USED ONLY IF HEADER S/N -640250 AND PRIOR
26	H123633	SHIELD	1		X	

8C12

FEEDER HOUSE FRAMES AND SHIELDS

FEEDER HOUSE FRAME (SIDEHILL)
HP9314 -UN-17NOV99



8C13

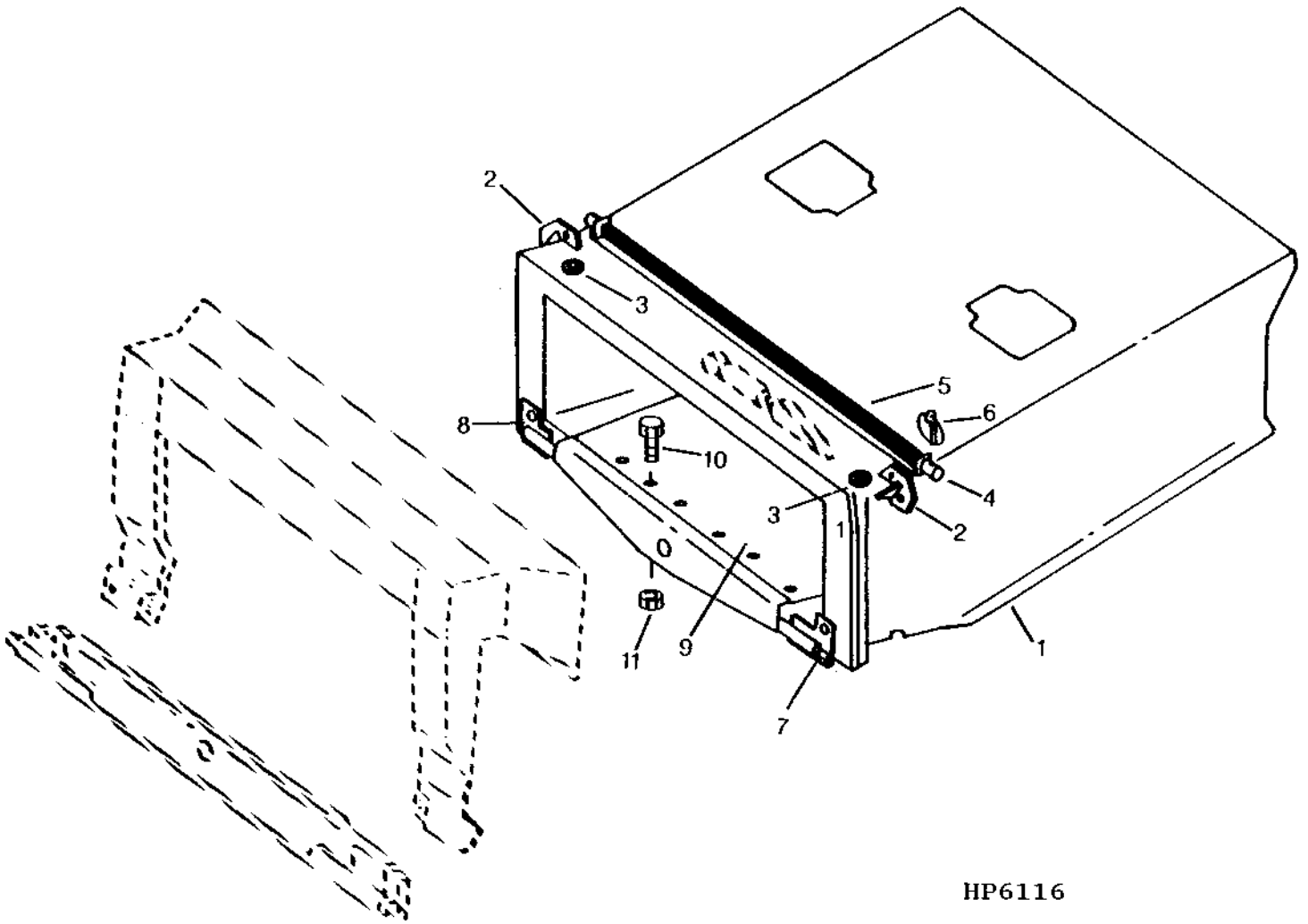
FEEDER HOUSE FRAMES AND SHIELDS

FEEDER HOUSE FRAME (SIDEHILL) - CONTINUED

KEY	PART NO.	PART NAME	QTY	SERIAL NO.	S H 9 5 0 0	REMARKS
1	03M7183	BOLT	4		X	M8 X 16
2	14M7298	FLANGE NUT	4		X	M8
3	H133989	HINGE	2		X	
4	H152062	DOOR	2		X	(SUB FOR H133990)
5	H137322	PIN	2		X	
6	AH126417	DOOR	1		X	REAR
7	14M7401	LOCK NUT	2		X	M12
8	24M7180	WASHER	2		X	13 X 37 X 3 MM
9	AH135110	FRAME	1		X	
10	H136015	MAT	1		X	
11	H136013	MAT	6		X	
12	124424	SPRING	2		X	
13	H136808	BOLT	2		X	M12 X 40
14	H145894	QUICK LOCK PIN	1		X	
15	H140552	DEFLECTOR	1		X	L.H. CLOSURE
16	03M7185	BOLT	11		X	M8 X 25
	14M7298	FLANGE NUT	11		X	M8
17	03M7185	BOLT	2		X	M8 X 25
	14M7396	LOCK NUT	2		X	M8
18	H140550	SHIELD	1		X	
19	H140551	DEFLECTOR	1		X	R.H. CLOSURE

8C14

FEEDER HOUSE SHELL, WEAR PLATES AND SEALS - CONTOUR MASTER
HP6116 -UN-29JUN95



HP6116

8C15

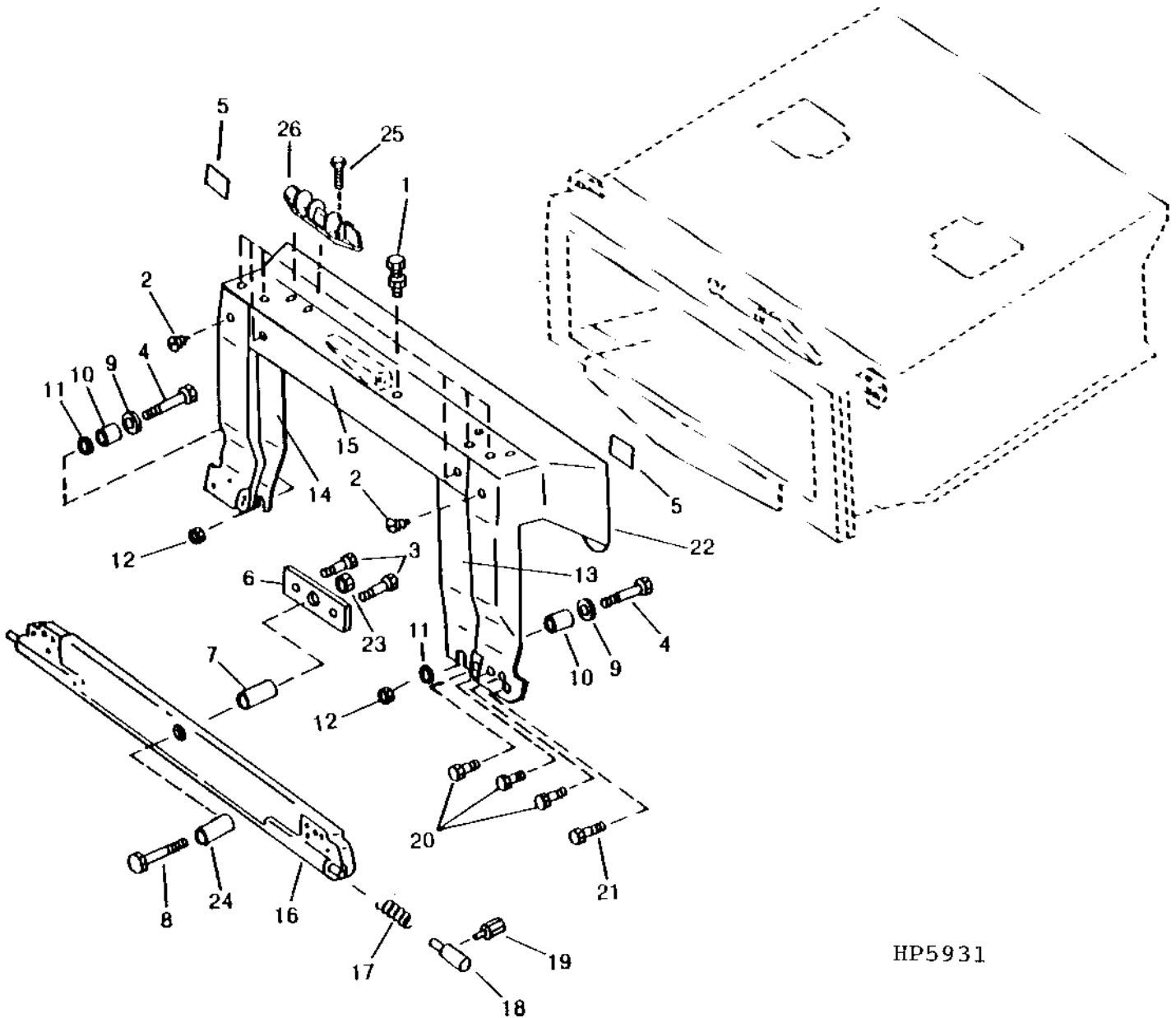
FEEDER HOUSE FRAMES AND SHIELDS

FEEDER HOUSE SHELL, WEAR PLATES AND SEALS - CONTOUR MASTER - CONTINUED

KEY	PART NO.	PART NAME	QTY	SERIAL NO.	S H 9 5 0 0	REMARKS
1	AH158148	FRAME	1		X	(SUB FOR AH143031)
2	H149461	WEAR PLATE	2		X	
3	R495R	O-RING	2		X	(USE WITH H149461) (FOR RETENTION ONLY)
4	H144825	PIPE	1		X	(SUB FOR H158973)
5	H148998	SEAL	1		X	
6	A15147	SPRING LOCKING PIN	2	-661226	X	
	M72598	QUICK LOCK PIN	2	661227-670200	X	
	A15147	SPRING LOCKING PIN	2	670201-	X	
7	H149459	WEAR PLATE	1		X	L.H. LOWER
8	H149460	WEAR PLATE	1		X	R.H. LOWER
9	H142861	PLATE	1		X	
10	03M7184	BOLT	6		X	M8 X 20
11	14M7298	FLANGE NUT	6		X	M8

8C16

FEEDER HOUSE FRAME, TILT BEAM AND CLOSURE PLATES - CONTOUR MASTER
HP5931 -UN-14FEB95



HP5931

8C17

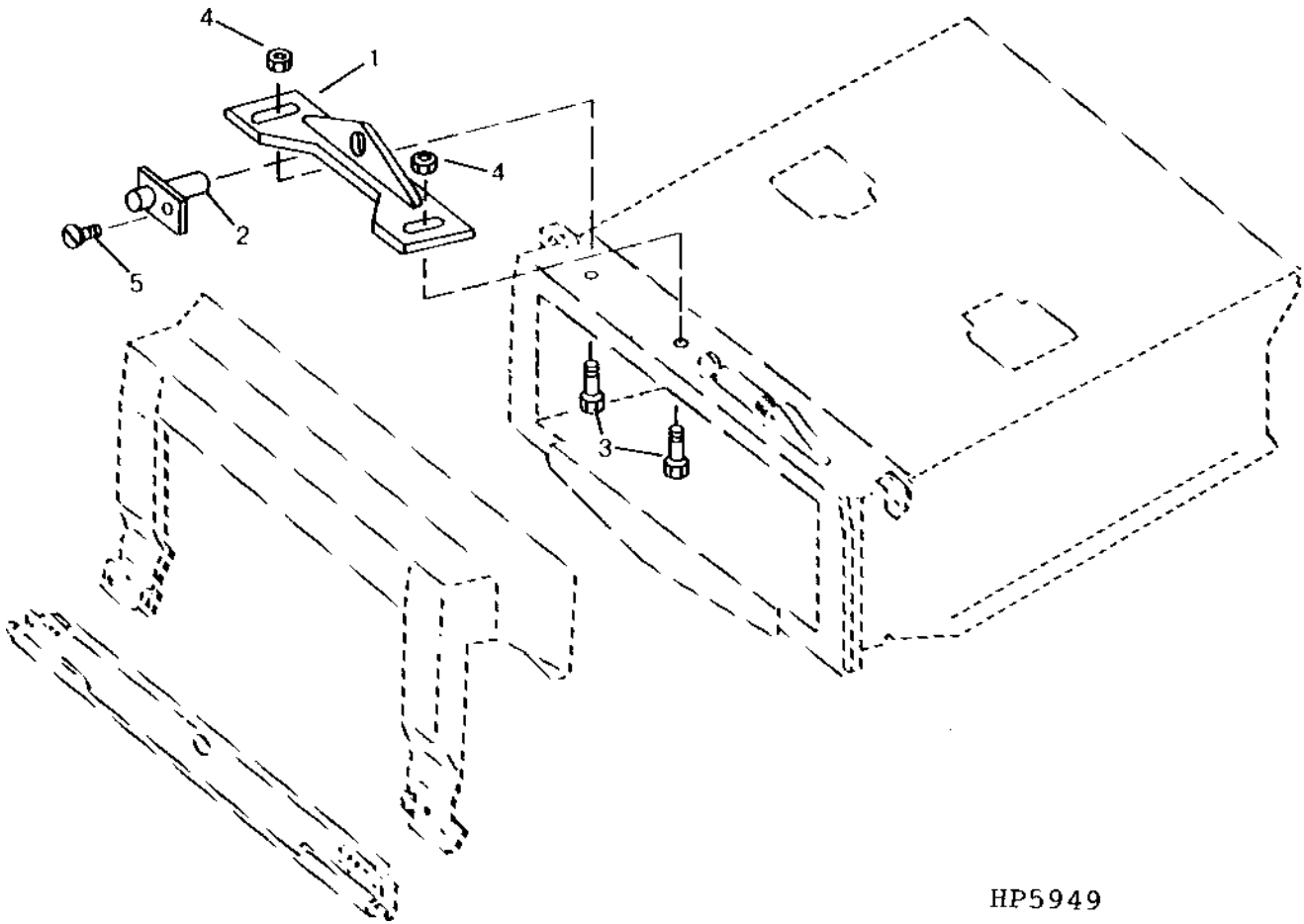
FEEDER HOUSE FRAMES AND SHIELDS

FEEDER HOUSE FRAME, TILT BEAM AND CLOSURE PLATES - CONTOUR MASTER - CONTINUED

KEY	PART NO.	PART NAME	QTY	SERIAL NO.	S H 9 5 0 0	REMARKS
1	19M7785	SCREW	7		X	M10 X 25
	14M7400	LOCK NUT	7		X	M10
2	19M7785	SCREW	2		X	M10 X 25
3	19M7788	SCREW	2		X	M12 X 25
4	19M7820	SCREW	2		X	M12 X 100
5	H151607	SIGN	4		X	"CAUTION" HEADER TILT
6	H149518	STRAP	1		X	
7	H149517	PIN	1		X	
8	19M7921	CAP SCREW	1		X	M20 X 150
9	E81185	WASHER	2		X	13 X 55.500 X 6 MM
10	28H3395	BUSHING	2		X	13.868 X 21.336 X 31.750 MM
11	24H1252	WASHER	2		X	12.700 X 38.100 X 1.524 MM
12	14M7299	FLANGE NUT	2		X	M12
13	AH143361	SHIELD	1		X	L.H.
14	AH143362	SHIELD	1		X	R.H.
15	H142869	WEATHER ENCLOSURE	1		X	
16	AH145282	FRAME	1	-670000	X	
	AH162724	FRAME	1	670000-	X	
17	124424	SPRING	2		X	
18	H130040	PIN	2		X	
19	H149523	BOLT	2		X	
20	19M7844	SCREW	6		X	M16 X 45, (USE LOCTITE)
	T43514	GASKET	1		X	
21	19M7792	SCREW	2		X	M16 X 30, (USE LOCTITE)
	T43514	GASKET	1		X	
22	AH145281	FRAME	1		X	
23	14M7300	FLANGE NUT	1		X	M20
24	H142870	BUSHING	1		X	
25	19M7403	CAP SCREW	4	-660882	X	M12 X 35
	19M7790	SCREW	4	660883-	X	M12 X 35
26	H93556	CLAMP	2	-670697	X	(SUB H159975)
	H159975	BLOCK CLAMP	2		X	

8C18

LOCKOUT ASSEMBLY - CONTOUR MASTER (OPTIONAL)
(BELT PICK-UP PLATFORM AND 4-ROW CORN HEADS ONLY)
HP5949 -UN-02MAY95



HP5949

8C19

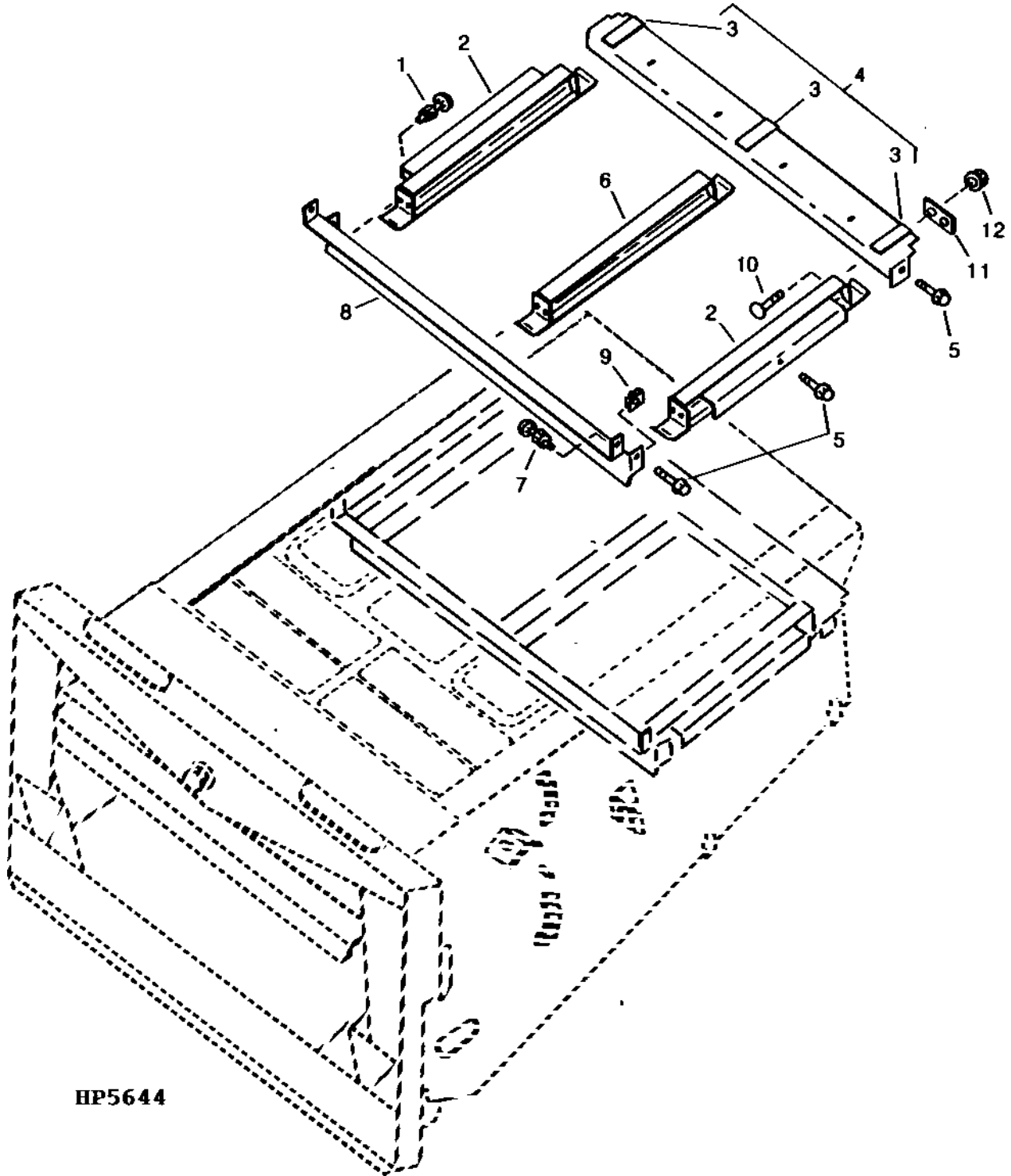
FEEDER HOUSE FRAMES AND SHIELDS

LOCKOUT ASSEMBLY - CONTOUR MASTER (OPTIONAL) - CONTINUED
(BELT PICK-UP PLATFORM AND 4-ROW CORN HEADS ONLY)

KEY	PART NO.	PART NAME	QTY	SERIAL NO.	S H 9 5 0 0 0 0	REMARKS
1	AH145762	BRACKET	1		X	
2	AH145763	PIN	1		X	
3	03M7200	BOLT	2	-660882	X	M12 X 40
	03M7205	BOLT	2	660883-	X	M16 X 40
4	14M7299	FLANGE NUT	2	-660882	X	M12
	14M7291	FLANGE NUT	2	660883-	X	M16
5	19M7924	SCREW	1		X	M8 X 16

8C20

CONVEYOR CHAIN RETURN FLOOR
(SIDEHILL)
HP5644 -UN-01JAN94



HP5644

8C21

**CONVEYOR CHAIN RETURN FLOOR - CONTINUED
(SIDEHILL)**

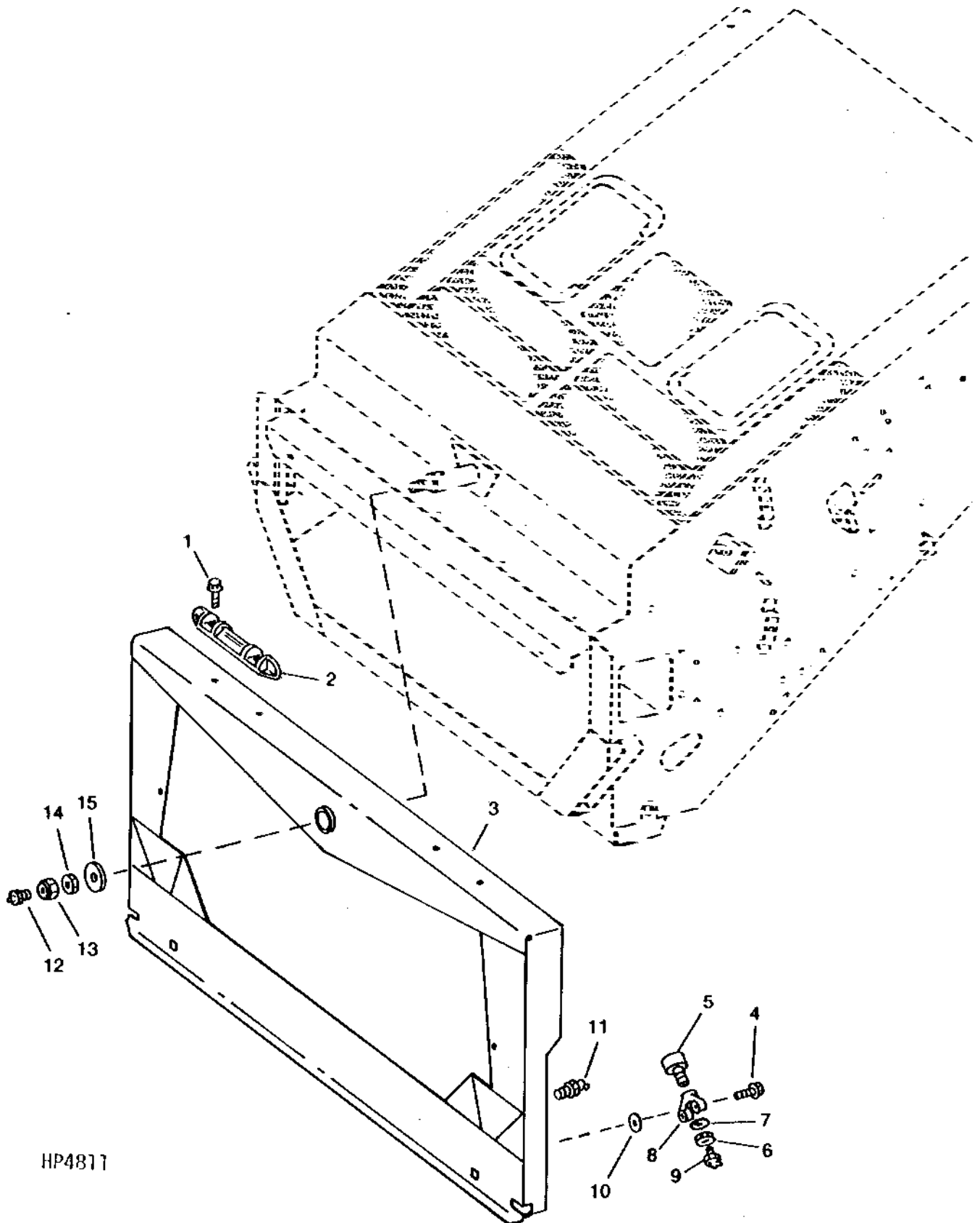
KEY	PART NO.	PART NAME	QTY	SERIAL NO.	S H 9 5 0 0 0 0	REMARKS
1	03M7190	BOLT	6		X	M10 X 20
	14M7296	FLANGE NUT	6		X	M10
2	AH139286	RUNNER	2		X	OUTER
3	H145462	ANGLE	3	-650200	X	
	H148187	ANGLE	3	650201-	X	
4	AH139423	SUPPORT	1	-650200	X	(SUB AH141861 AND H148187)
	AH141861	SUPPORT	1		X	
5	19M7785	SCREW	6		X	M10 X 25
6	AH139285	RUNNER	1		X	CENTER
7	03M7191	BOLT	2		X	M10 X 25
	14M7296	FLANGE NUT	2		X	M10
8	H143358	CHANNEL	1		X	
9	H146457	NUT	2		X	10 MM (0.394")
10	03M7194	BOLT	6		X	M10 X 40
11	H150458	STRAP	3		X	
12	14M7400	LOCK NUT	6		X	M10
..	BH81482	COMPLETE GOODS/SHIP. BUNDLE	1		X	FLOOR, AIRFLOW RETROFIT, NARROW

8C22

FEEDER HOUSE FRAMES AND SHIELDS

FEEDER HOUSE OUTER CLOSURE FRAME (SIDEHILL)

HP4811 -UN-01JAN94



HP4811

8C23

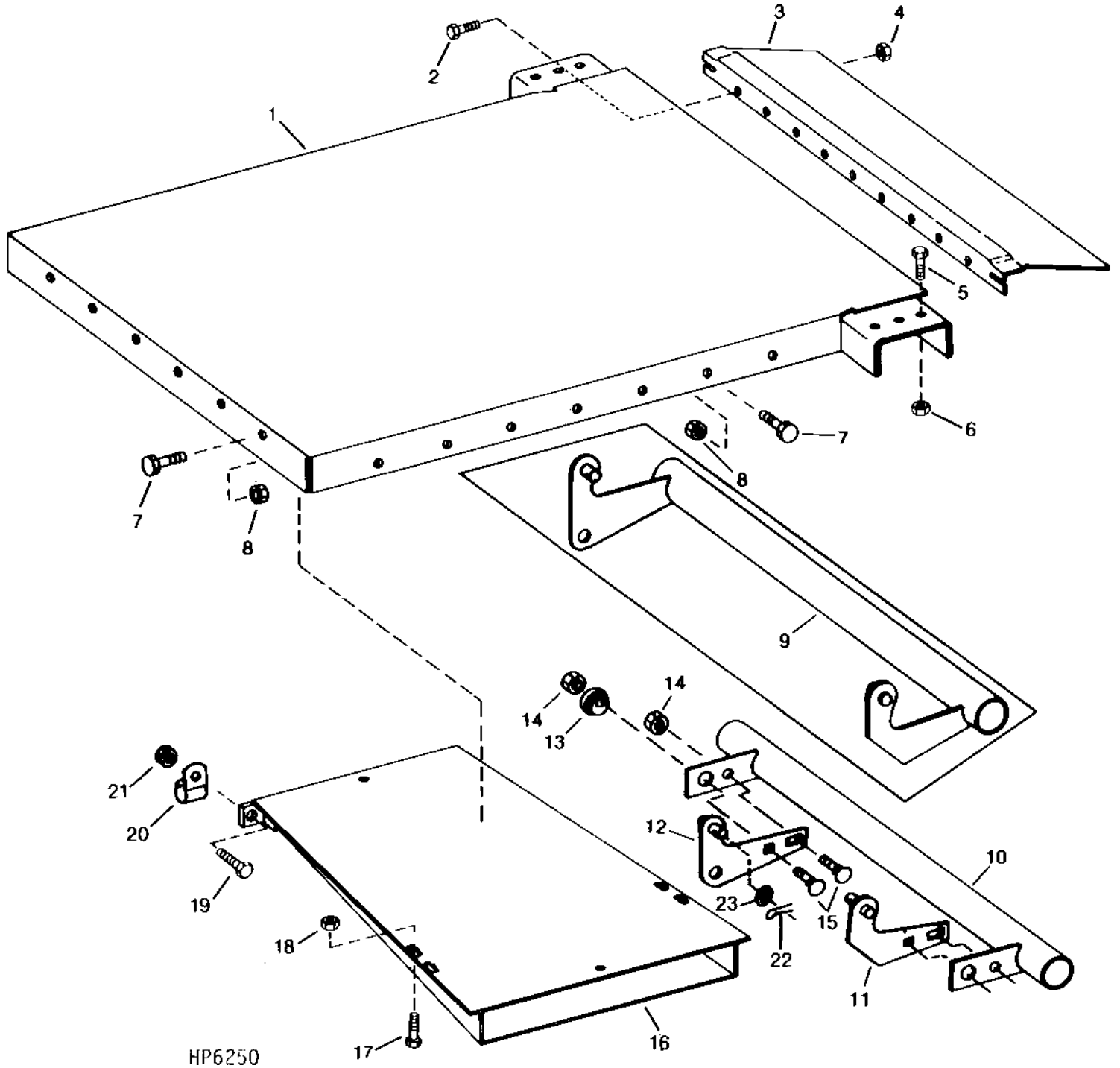
FEEDER HOUSE FRAMES AND SHIELDS

FEEDER HOUSE OUTER CLOSURE FRAME (SIDEHILL) - CONTINUED

KEY	PART NO.	PART NAME	QTY	SERIAL NO.	S H 9 5 0 0	REMARKS
1	19M7814	SCREW	4		X	M12 X 50
2	H159975	BLOCK CLAMP	2		X	(SUB FOR H93556)
3	AH138278	FRAME	1		X	(INCLUDES H84869)
4	19M7793	SCREW	4		X	M16 X 40
5	AH119669	ROLLER	2		X	
6	14H863	NUT	2		X	3/4"
7	12H236	LOCK WASHER	2		X	3/4"
8	H145888	SUPPORT	2		X	
9	JD7826	FITTING	2		X	
10	24H1255	WASHER	AR		X	11/16" X 1-1/4" X 0.060", USE TO ADJUST SPACE BETWEEN ROLLER BEARING AND FRAME
11	JD7806	LUBRICATION FITTING	2		X	
12	JD7759	LUBRICATION FITTING	1		X	
13	T27821	LOCK NUT	1		X	31.750 MM (1-1/4")
14	14H975	NUT	1		X	1-1/4"
15	H65322	WASHER	1		X	32.537 X 82.550 X 8 MM (1-9/32" X 3-1/4" X 0.315")

8C24

FEEDER HOUSE FLOOR AND SUPPORT
HP6250 -UN-12JAN96



HP6250

8C25

FEEDER HOUSE FRAMES AND SHIELDS

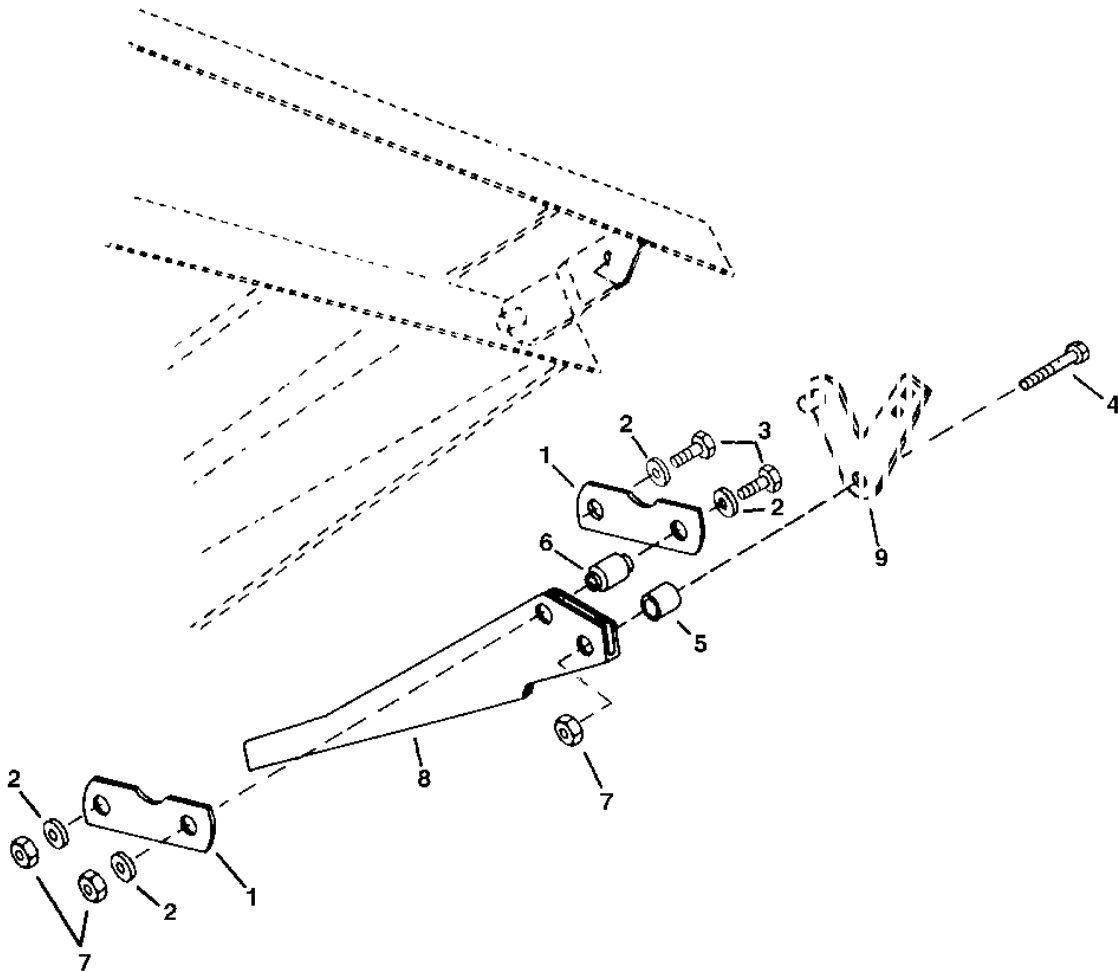
FEEDER HOUSE FLOOR AND SUPPORT - CONTINUED

KEY	PART NO.	PART NAME	QTY	SERIAL NO.	S H 9 5 0 0	REMARKS
1	AH137733	FLOOR	1		X X	(SUB AH159703) (SUB FOR AH128073)
	AH159703	FLOOR	1		X X	
2	03M7190	BOLT	8		X X	M10 X 20
3	H131452	SEAL	1		X X	
4	14M7296	FLANGE NUT	8		X X	M10
5	19M7895	SCREW	6		X X	M20 X 50
6	14M7300	FLANGE NUT	6		X X	M20
7	19M7789	SCREW	20		X X	M12 X 30
8	14M7299	FLANGE NUT	20		X X	M12
9	AH140113	SUPPORT	1		X X	(SUB FOR AH128239) (SUB AH141781, AH141782, AH161016, (2) H97322, (4) 14M7299 AND (4) 19M7790)
10	AH161016	SUPPORT	1		X X	(SUB FOR AH141780)
11	AH141782	ARM	1		X X	L.H.
12	AH141781	ARM	1		X X	R.H.
13	H97322	CAM	2		X X	
14	14M7299	FLANGE NUT	4		X X	M12
15	19M7790	SCREW	2	650201-	X X	M12 X 35
16	AH131303	PAN	1		X X	
17	19M7865	SCREW	2		X X	M8 X 16
18	14M7298	FLANGE NUT	2		X X	M8
19	19M7784	SCREW	2		X X	M10 X 20
20	AH89557	CLIP	1		X	
21	14M7296	FLANGE NUT	2		X X	M10
22	11M7028	COTTER PIN	2		X X	5 X 32 MM
23	24M7053	WASHER	2		X X	17 X 30 X 3 MM

8D1

FEED PLATE LATCH HANDLE

HP6514 -UN-15JUL96



HP6514

8D2

FEED PLATE LATCH HANDLE - CONTINUED

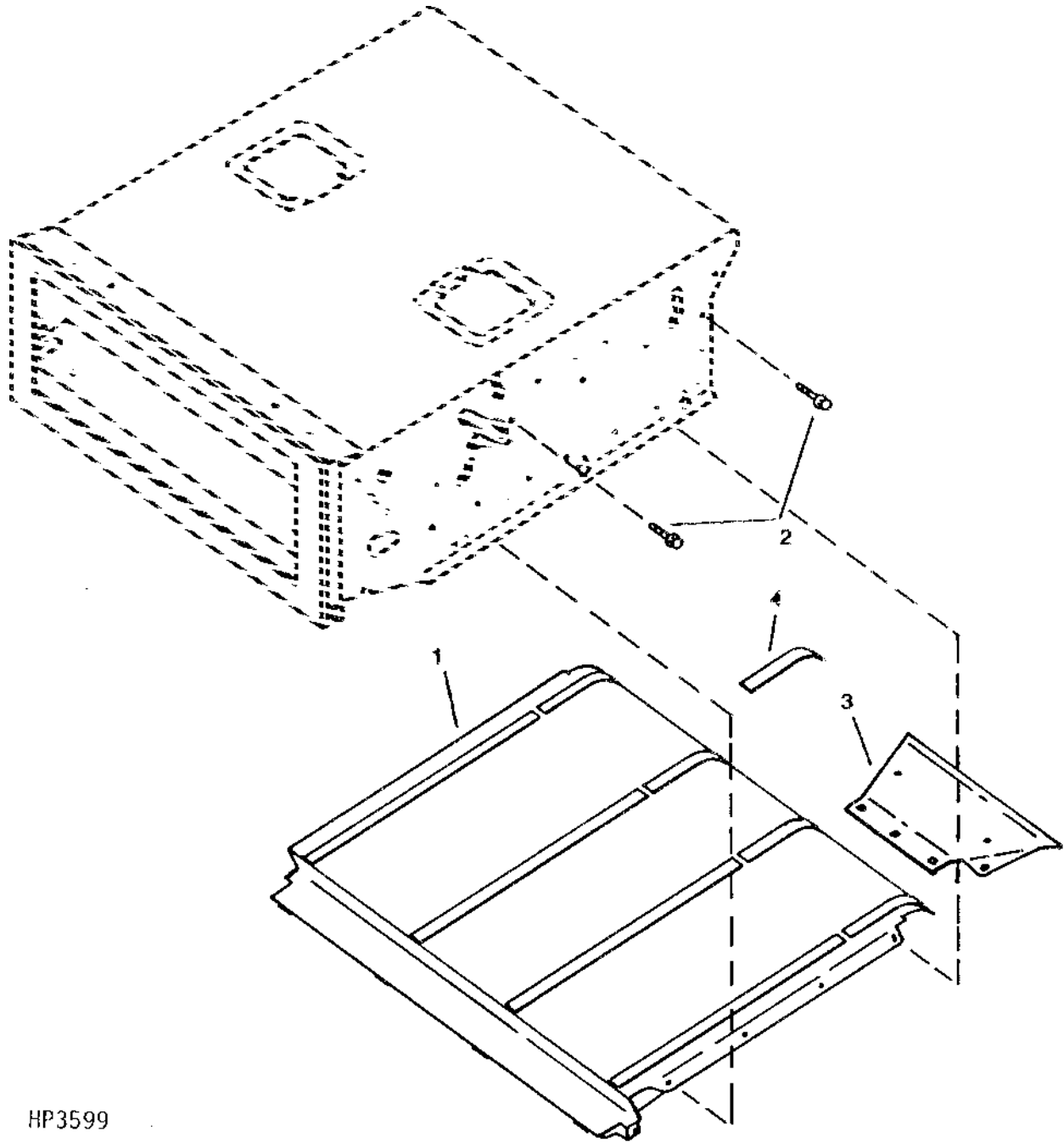
KEY	PART NO.	PART NAME	QTY	SERIAL NO.	S H 9 5 0 0	REMARKS
1	H136144	ADJUSTING STRAP	2		X X	
2	24M7207	WASHER	4		X X	8.400 X 24 X 2 MM
3	19M8318	SCREW	2		X X	M8 X 45
4	19M8291	SCREW	1		X X	M8 X 35
5	H133060	SLEEVE	1		X X	8.300 X 16 X 19.300 MM (0.327" X 0.630" X 0.760")
6	H132988	BUSHING	1		X X	(SUB FOR H135476)
7	14M7396	LOCK NUT	3		X X	M8
8	H132986	HANDLE	1		X X	
9	ARM	1		X X	IDENTIFIED WITH FEEDER HOUSE FLOOR

8D3

FEEDER HOUSE RETURN FLOOR

(-643900)

HP3599 -UN-01JAN94



HP3599

8D4

FEEDER HOUSE FRAMES AND SHIELDS

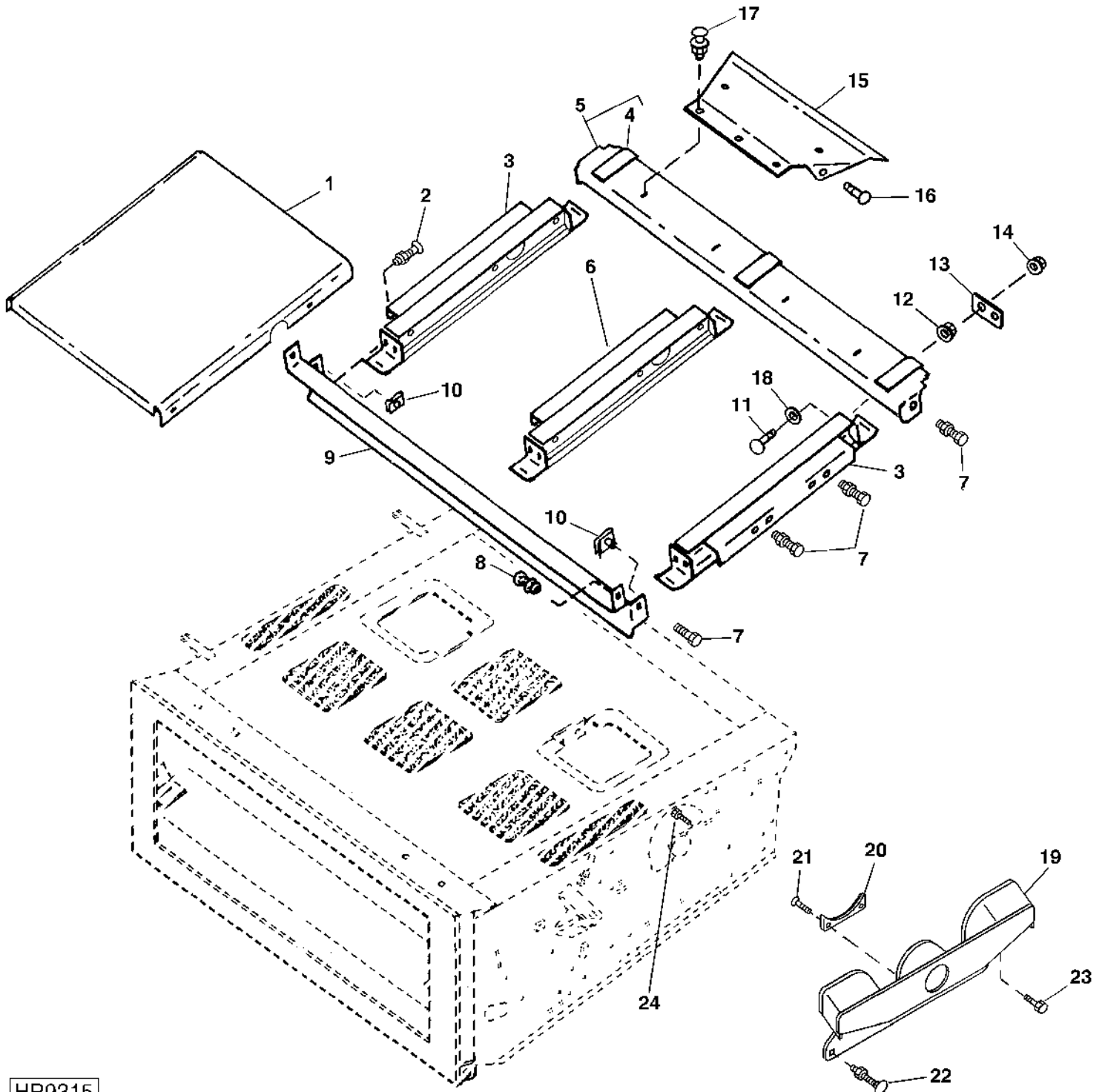
FEEDER HOUSE RETURN FLOOR - CONTINUED (-643900)

KEY	PART NO.	PART NAME	QTY	SERIAL NO.	S H 9 5 0 0 0 0	REMARKS
1	AH138963	FLOOR	1		X	(SUB AH139243, (2) AH141861, AH157942, H143358, H143376 AND H148187) (SUB FOR AH131829)
	AH139423	SUPPORT	1		X	
2	19M7785	SCREW	10		X	M10 X 25
3	H134887	STRIPPER	3	-642578	X	
	H145464	STRIPPER	3	642579-	X	
4	H144826	STRIP	3	-642578	X	(SUB FOR H137296)
	H145462	ANGLE	1	642579-	X	

8D5

FEEDER HOUSE RETURN FLOOR

(643901-)
HP9315 -UN-17NOV99



HP9315

8D6

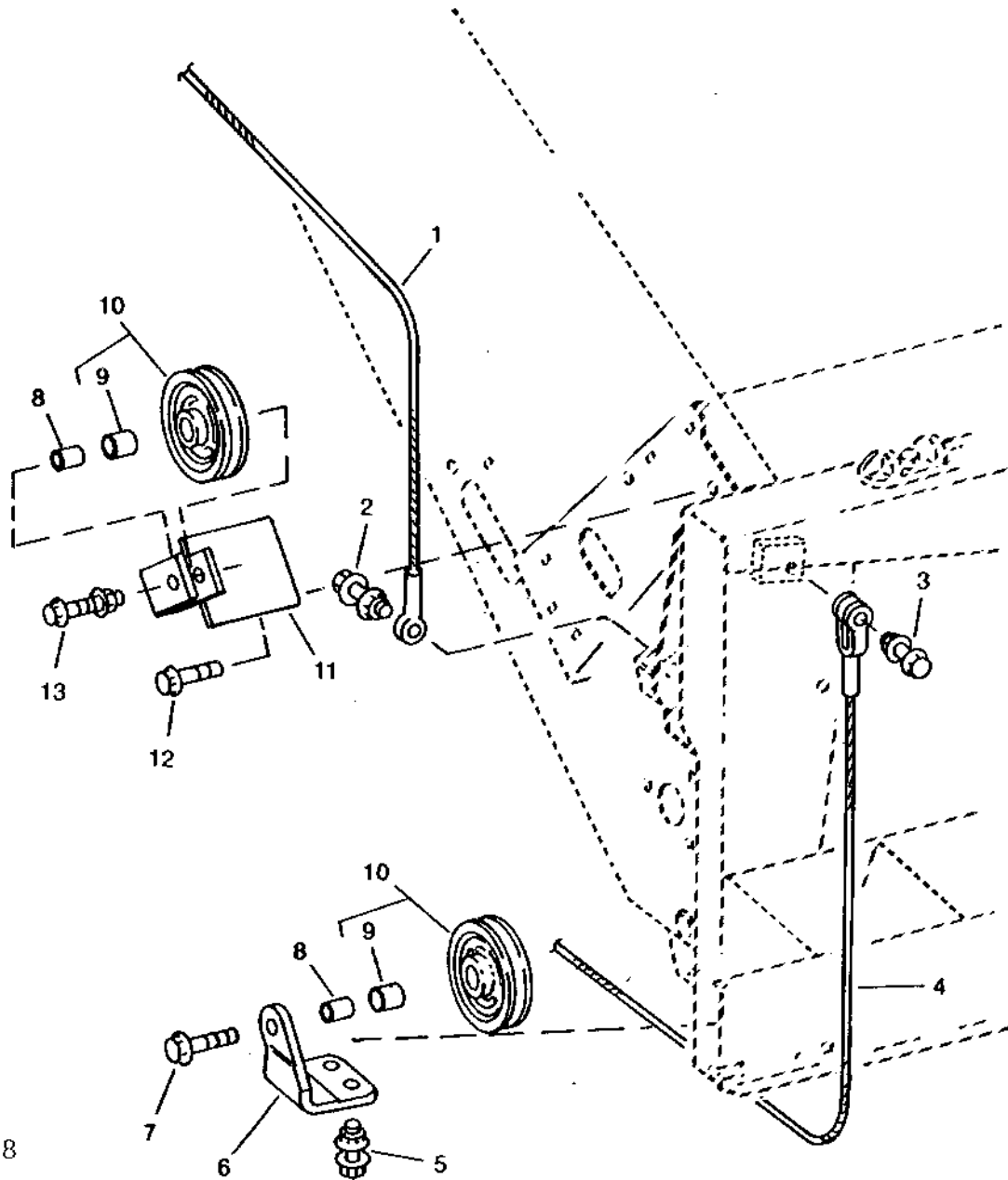
FEEDER HOUSE FRAMES AND SHIELDS

FEEDER HOUSE RETURN FLOOR - CONTINUED (643901-)

KEY	PART NO.	PART NAME	QTY	SERIAL NO.	S H 9 5 0 0 0 0	REMARKS
1	H143376	FLOOR	1		X	
2	03M7190	BOLT	6		X	M10 X 20
	14M7296	FLANGE NUT	6		X	M10
3	AH139243	RUNNER	2		X	OUTSIDE RUNNER
4	H145462	ANGLE	3	-650200	X	
	H148187	ANGLE	3	650201-	X	
5	AH139423	SUPPORT	1	-650200	X	(SUB AH141861 AND H148187)
	AH141861	SUPPORT	1	650201-	X	
6	AH157942	RUNNER	3		X	(SUB FOR AH139242)
7	19M7785	SCREW	8		X	M10 X 25
	14M7296	FLANGE NUT	4		X	M10
8	03M7191	BOLT	2		X	M10 X 25
	14M7296	FLANGE NUT	2		X	M10
9	H143358	CHANNEL	1		X	
10	H146457	NUT	2		X	10 MM
11	03M7194	BOLT	6		X	M10 X 40
12	14M7296	FLANGE NUT	8		X	M10
13	H150458	STRAP	6		X	
14	14M7400	LOCK NUT	8		X	M10
15	H145464	STRIPPER	3		X	STRIPPER - TOP SHAFT
16	19M7785	SCREW	6		X	M10 X 25
17	03M7191	BOLT	6		X	M10 X 25
	14M7296	FLANGE NUT	6		X	M10
18	24M7028	WASHER	6		X	10.500 X 20 X 2 MM
19	AH159053	SCOOP	1		X	L.H.
	AH159054	SCOOP	1		X	R.H.
20	H164391	STRIPPER	2		X	
21	H165318	SCREW	2		X	
22	03M7197	BOLT	4		X	M12 X 25
23	03M7198	BOLT	2		X	
24	H165317	SCREW	4		X	

8D7

LEVELING CABLES, SHEAVES AND BRACKETS
(SIDEHILL) (LOWER FRONT)
HP4818 -UN-01JAN94



HP4818

8D8

FEEDER HOUSE FRAMES AND SHIELDS

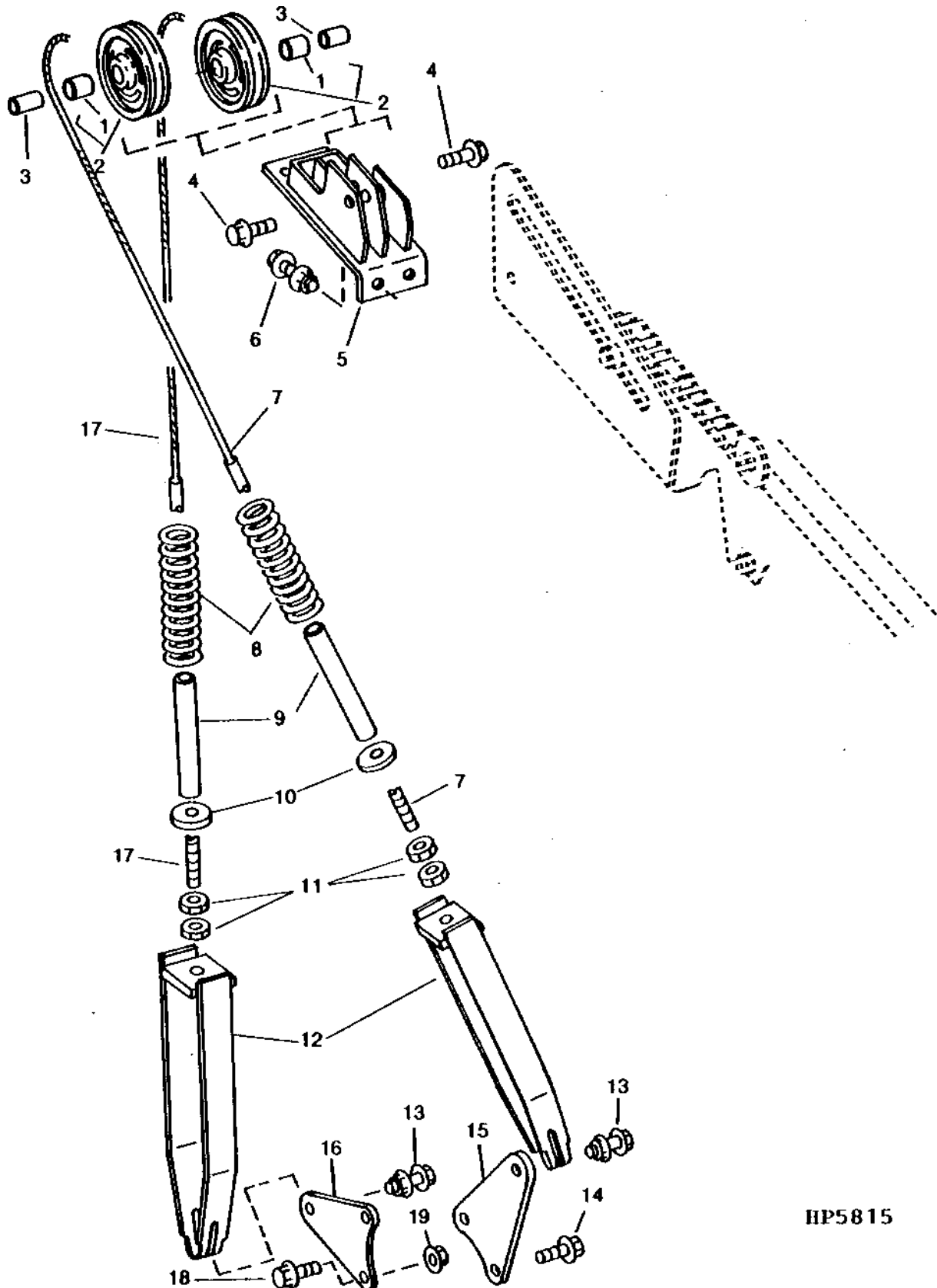
LEVELING CABLES, SHEAVES AND BRACKETS - CONTINUED (LOWER FRONT) (SIDEHILL)

KEY	PART NO.	PART NAME	QTY	SERIAL NO.	S H 9 5 0 0 0 0	REMARKS
1	AH138813	CABLE	1		X	2 625 MM (103-11/32") UPPER
2	19M7813	SCREW	1		X	M12 X 45
	14M7401	LOCK NUT	1		X	M12
3	19M8112	SCREW	1		X	M12 X 55
	14M7401	LOCK NUT	1		X	M12
4	AH138814	CABLE	1		X	3 505 MM (138") LOWER
5	19M7789	SCREW	2		X	M12 X 30
	14M7299	FLANGE NUT	2		X	M12
6	H147235	PLATE	1		X	LOWER
7	19M8112	SCREW	1		X	M12 X 55
8	H88096	SPACER	2		X	13.487 X 22.200 X 35.052 MM (17/32" X 0.874" X 1.380")
9	H87502	BUSHING	2		X	
10	AH88920	PULLEY	2		X	
11	AH139316	SUPPORT	1		X	UPPER
12	19M7788	SCREW	3	-647107	X	M12 X 25
	19M7789	SCREW	3	647107-	X	M12 X 30
13	19M7815	SCREW	1		X	M12 X 60
	14M7299	FLANGE NUT	1		X	M12

LEVELING CABLES, SHEAVES AND BRACKETS

(SIDEHILL) (UPPER REAR)

HP5815 -UN-01JAN94



HP5815

8D10

FEEDER HOUSE FRAMES AND SHIELDS

LEVELING CABLES, SHEAVES AND BRACKETS - CONTINUED (SIDEHILL) (UPPER REAR)

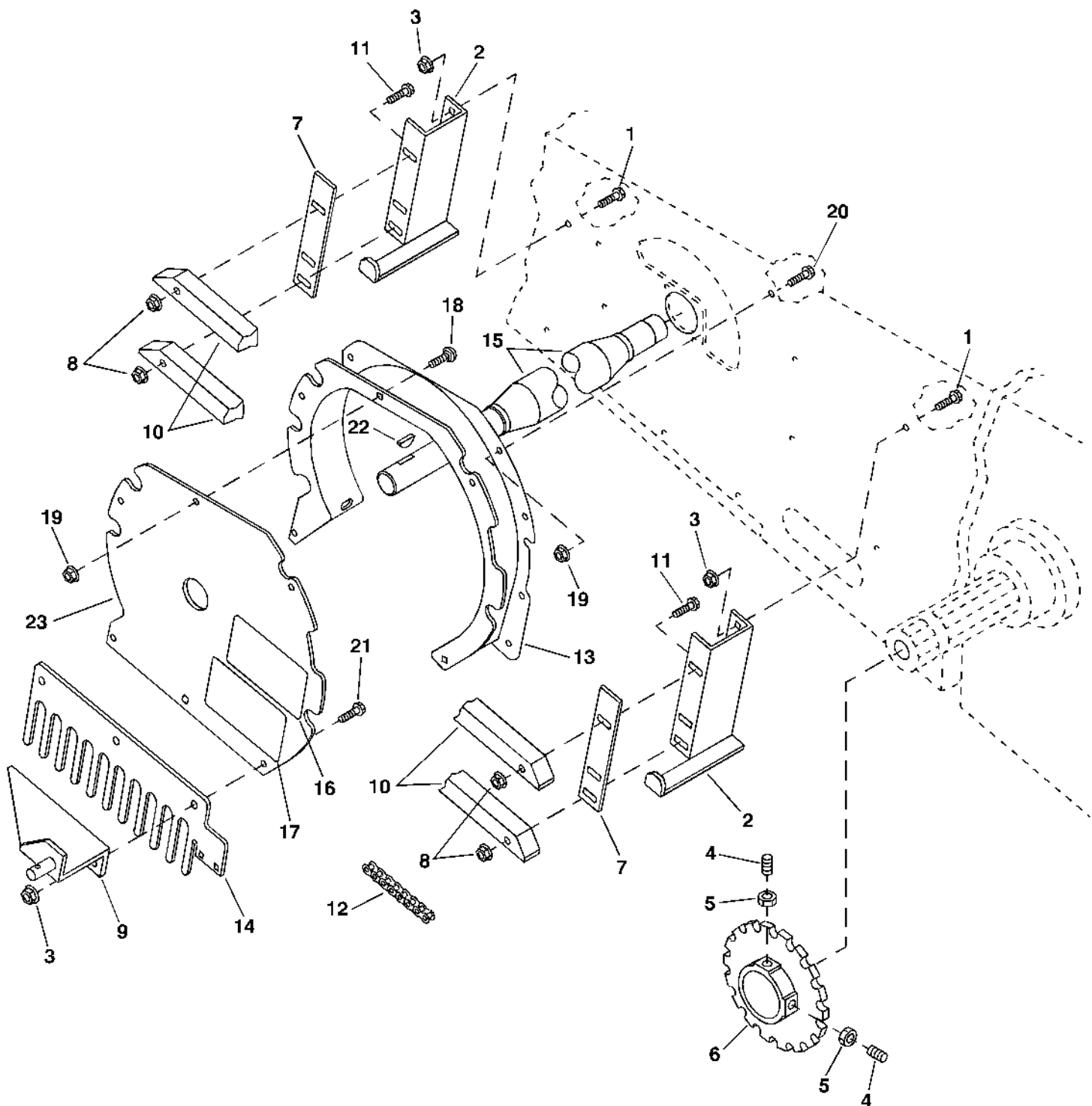
KEY	PART NO.	PART NAME	QTY	SERIAL NO.	S H 9 5 0 0 0	REMARKS
1	H87502	BUSHING	2		X	
2	AH88920	PULLEY	2		X	
3	H88096	SPACER	2		X	13.487 X 22.200 X 35.052 MM (17/32" X 0.874" X 1.380")
4	19M8306	SCREW	2		X	M12 X 50
5	AH139315	BRACKET	1		X	
6	19M7788	SCREW	5		X	M12 X 25
	14M7299	FLANGE NUT	5		X	M12
7	AH138813	CABLE	1		X	2 625 MM (103-11/32") UPPER
8	A37553	SPRING	2		X	
9	H144885	BUSHING	2		X	19.025 X 34.925 X 198 MM (0.749" X 1-3/8" X 7.795")
10	24H1374	WASHER	2		X	21/32" X 3" X 3/8"
11	14H821	NUT	4		X	5/8"
12	AH142156	CLEVIS	2		X	(SUB FOR AH140121)
13	19M7817	SCREW	2		X	M12 X 70
	14M7401	LOCK NUT	2		X	M12
14	19M7789	SCREW	2	-653500	X	M12 X 30
	19M7790	SCREW	2	653501-	X	M12 X 35
15	H145350	PLATE	1		X	UPPER
16	H145351	PLATE	1		X	LOWER
17	AH138814	CABLE	1		X	3 505 MM (138") LOWER
18	19M7817	SCREW	2		X	M12 X 70
19	14M7299	FLANGE NUT	2		X	M12

8D11

FEEDER HOUSE FRAMES AND SHIELDS

FEEDER CONVEYOR DRIVE CHAIN, TIGHTENER AND GUIDES-RETROFIT INSTALLATION (5JAN98-)

HP7294 -UN-12JAN98



HP7294

8D12

FEEDER HOUSE FRAMES AND SHIELDS

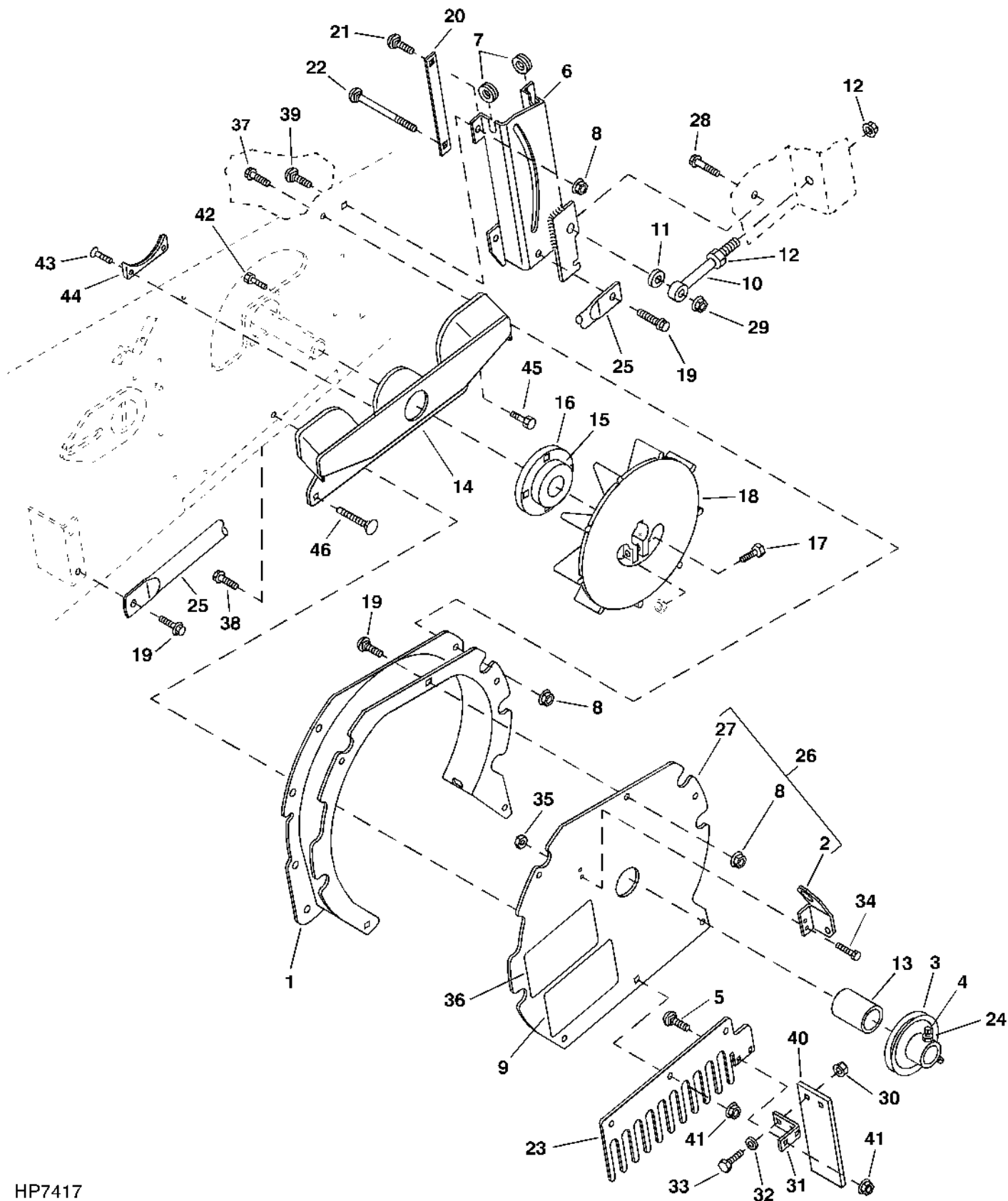
FEEDER CONVEYOR DRIVE CHAIN, TIGHTENER AND GUIDES-RETROFIT INSTALLATION - CONTINUED (5JAN98-)

KEY	PART NO.	PART NAME	QTY	SERIAL NO.	REMARKS
					9
					5
					0
					0
1	03M7190	BOLT	2	X	M10 X 20
2	H162325	BRACKET	2	X	
3	14M7296	FLANGE NUT	6	X	
4	A50743	BOLT	2	X	
5	14M7272	NUT	2	X	M6
6	H135772	WHEEL	1	X	ROLLER, TYPE 60, 19 MM (3/4") 220 LINKS (SMALL SPROCKET) AND 223 LINKS (LARGE SPROCKET); (OR ASSEMBLE FROM (4) AB1288H AND AB1289H)
7	H162326	PLATE	1	X	
8	14M7400	LOCK NUT	4	X	M10
9	AH155739	BRACKET	1	X	
10	H130530	GUIDE	2	X	
11	03M7233	BOLT	4	X	M10 X 70
12	AH145029	LINK CHAIN	1	X	
13	AH155659	PLATE	1	X	
14	H172177	FINGER	1	X	(SUB FOR H162425)
15	H164410	SHAFT	1	X	WIDE AIRFLOW
16	H149063	LABEL	1	X	
17	H164537	SIGN	1	X	
18	19M7789	SCREW	1	X	M12 X 30
19	14M7299	FLANGE NUT	7	X	M12
20	03M7198	BOLT	6	X	M12 X 30
21	19M7785	SCREW	2	X	M10 X 25
22	26M6787	SHAFT KEY	3	X	10 X 32 MM
23	H171318	COVER	1	X	(SUB FOR H162177)
..	BH81390	COMPLETE GOODS/SHIP. BUNDLE	1	X	RETROFIT - NARROW FEEDER HOUSE

8D13

FEEDER HOUSE FRAMES AND SHIELDS

LH SIDE FEEDER HOUSE DUST FAN - RETROFIT INSTALLATION (5JAN98-)
HP7417 -UN-11FEB98



HP7417

8D14

FEEDER HOUSE FRAMES AND SHIELDS

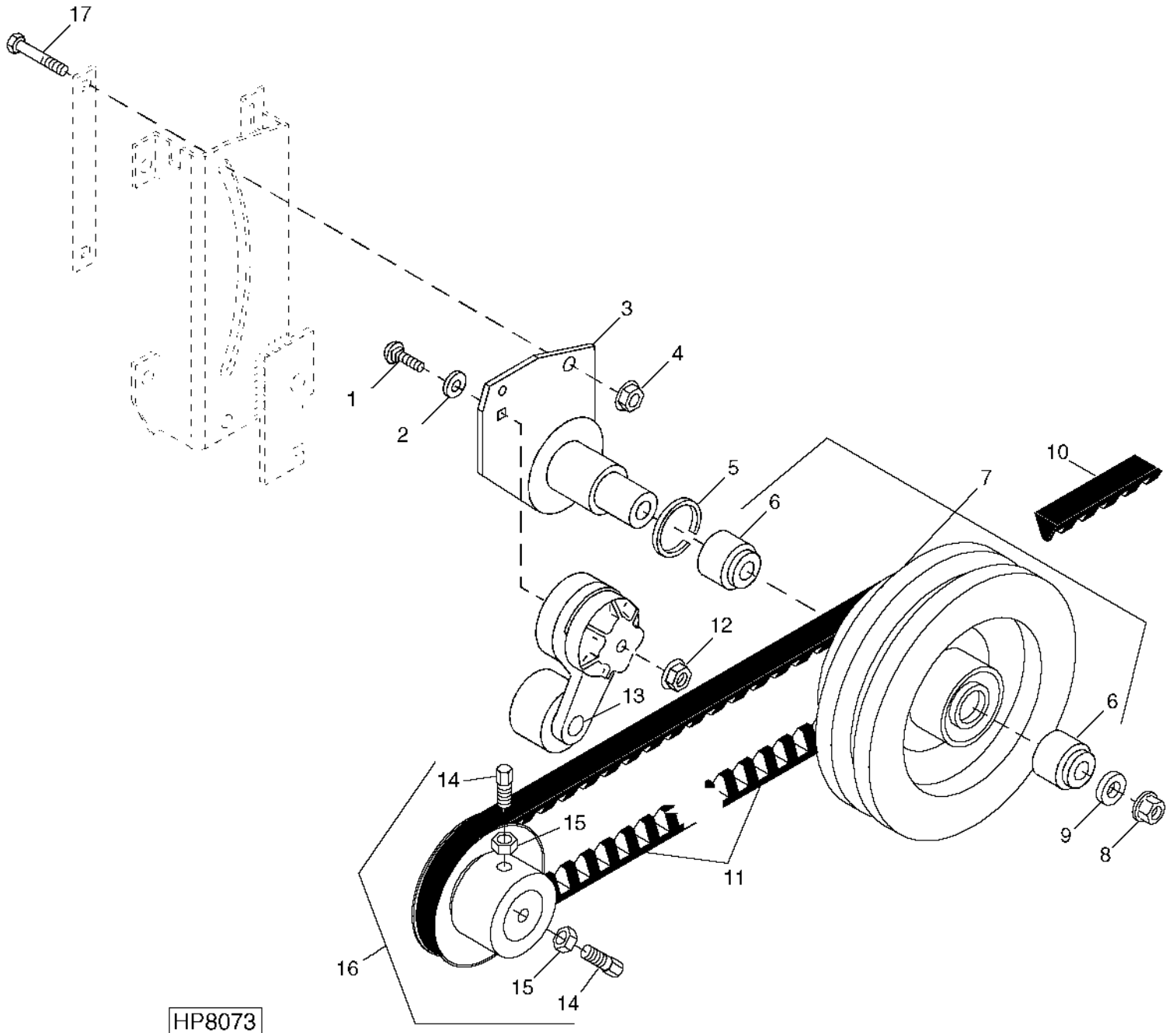
LH SIDE FEEDER HOUSE DUST FAN - RETROFIT INSTALLATION (5JAN98-)

KEY	PART NO.	PART NAME	QTY	SERIAL NO.	REMARKS
					9
					5
					0
					0
1	AH155657	PLATE	1		X
2	H134417	BRACKET	1		X
3	AH155706	SHEAVE	1		X
	AH155707	SHEAVE	1		X
4	H138435	SET SCREW	1		X
5	03M7191	BOLT	1		X
6	AH155703	BRACKET	1		X
7	R66626	GROMMET	2		X
8	14M7299	FLANGE NUT	AR		X M12
9	H164537	SIGN	1		X
10	H164222	EYEBOLT	1		X
11	24M7349	WASHER	2		X 21 X 37 X 3 MM
12	14M7277	NUT	2		X M20
13	H163994	SPACER	1		X
14	AH159053	SCOOP	1		X
	AH159054	SCOOP	1		X
15	AZ19427	BALL BEARING	1		X
16	AH157168	BEARING	1		X
17	19M7806	SCREW	1		X M10 X 50
18	AH157415	FAN	1		X
19	19M7789	SCREW	3		X M12 X 30
20	H162211	ADJUSTING STRAP	1		X
21	03M7205	BOLT	1		X M16 X 40
22	H163175	BOLT	1		X
23	H172177	FINGER	1		X (SUB FOR H162425)
24	14M7152	NUT	1		X M10
25	H162278	BRACE	1		X
26	AH155833	COVER	1		X
27	H171318	COVER	1		X (SUB FOR H162177)
28	19M8224	CAP SCREW	1		X M20 X 60
29	14M7277	NUT	3		X M20
30	H135891	LOCK NUT	2	-2MAR98	X
	14M7400	LOCK NUT	2	2MAR98-	X M10
31	H164009	BRACKET	1		X
32	24M7178	WASHER	2		X 10.500 X 30 X 2.500 MM
33	03M7191	BOLT	2		X M10 X 25
34	03M7183	BOLT	2		X M8 X 16
35	14M7298	FLANGE NUT	2		X M8
36	H149063	LABEL	1		X
37	03M7198	BOLT	6		X M12 X 30
38	19M7785	SCREW	2		X M10 X 25
39	03M7192	BOLT	5		X M10 X 30
40	H164018	LIMIT CURTAIN	2		X
41	14M7296	FLANGE NUT	AR		X M10
42	H165317	SCREW	4		X
43	H165318	SCREW	2		X
44	H164391	STRIPPER	2		X
45	03M7198	BOLT	2		X
46	03M7197	BOLT	4		X M12 X 25
..	BH81390	COMPLETE GOODS/SHIP. BUNDLE	1		X RETROFIT - NARROW FEEDER HOUSE

8D15

LH SIDE FEEDER HOUSE DUST FAN BELT - RETROFIT INSTALLATION
HP8073 -UN-08APR99

(5JAN98-)



8D16

FEEDER HOUSE FRAMES AND SHIELDS

LH SIDE FEEDER HOUSE DUST FAN BELT - RETROFIT INSTALLATION

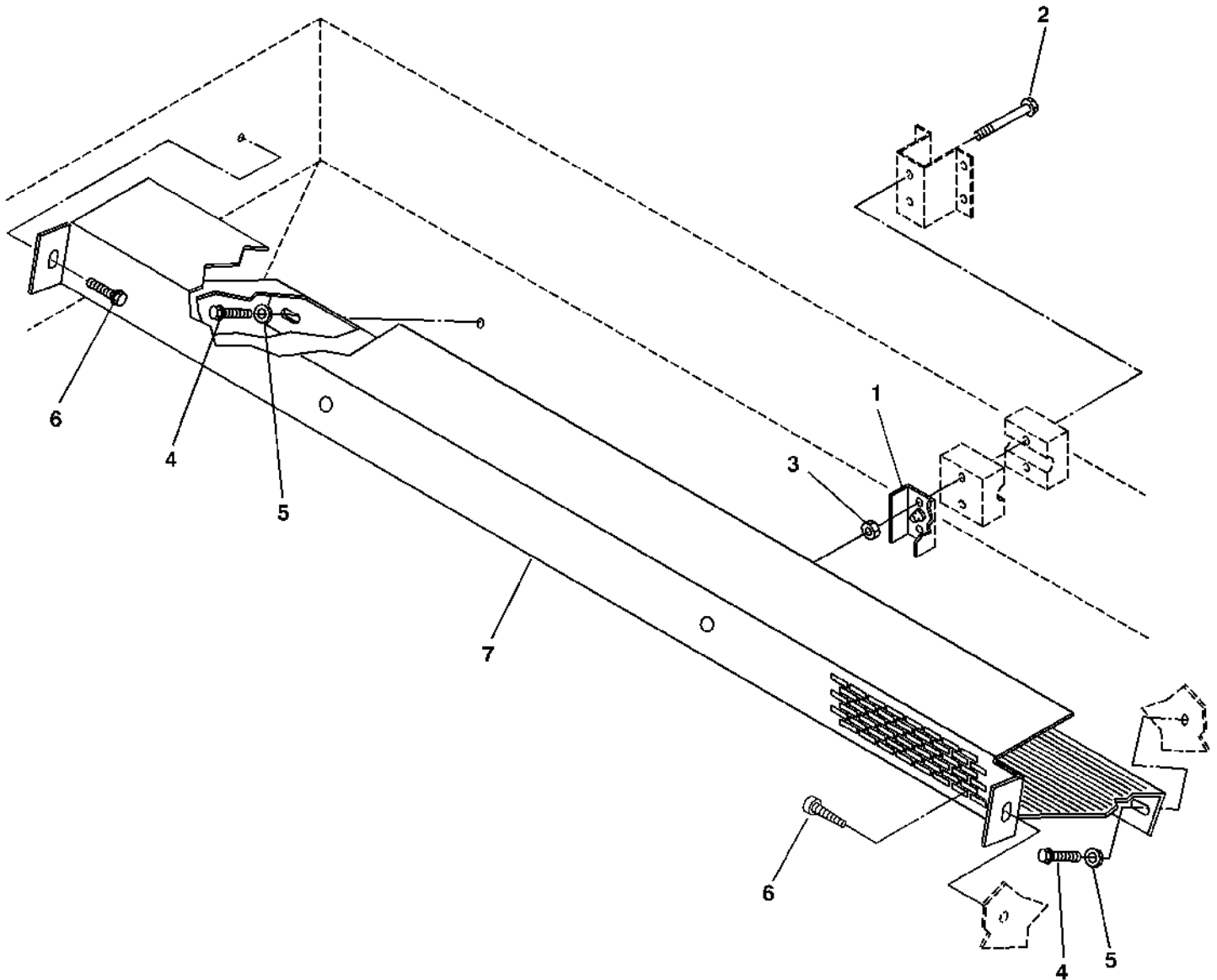
(5JAN98-) - CONTINUED

KEY	PART NO.	PART NAME	QTY	SERIAL NO.	REMARKS
					9
					5
					0
					0
1	19M7809	SCREW	1	X	M10 X 70
2	24M7028	WASHER	1	X	10.500 X 20 X 2 MM
3	AH156975	BRACKET	1	X	
4	14M7296	FLANGE NUT	5	X	M10
5	P46874	SNAP RING	1	X	
6	AN142665	BALL BEARING	2	X	
7	AH155715	SHEAVE	1	X	
8	14M7291	FLANGE NUT	3	X	M16
9	24M7315	WASHER	1	X	17 X 50 X 3 MM
10	H161648	BELT	1	X	
11	H164452	BELT	1	X	
12	14M7296	FLANGE NUT	3	X	M10
13	AH155348	TIGHTENER	1	X	
14	H138435	SET SCREW	2	X	M10 X 25
15	14M7152	NUT	2	X	M10
16	AH155707	SHEAVE	1	X	

8D17

INTAKE SHIELD

HP7287 -UN-05DEC97



HP7287

8D18

FEEDER HOUSE FRAMES AND SHIELDS

INTAKE SHIELD

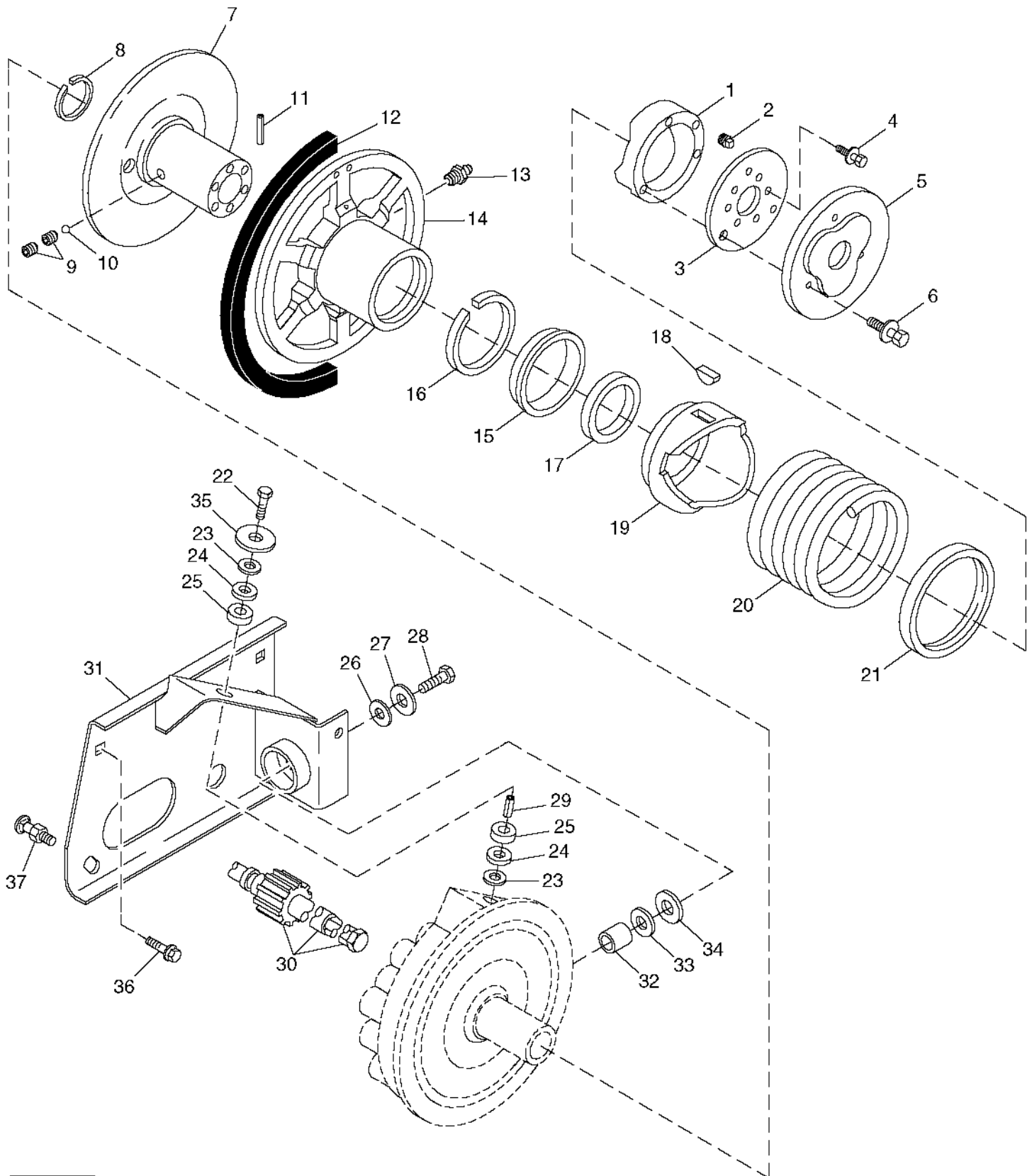
KEY	PART NO.	PART NAME	QTY	SERIAL NO.	S H 9 5 0 0	REMARKS
1	AH155275	FITTING	1		X X	
2	19M8039	SCREW	2		X X	M8 X 80
3	14M7396	LOCK NUT	2		X X	M8
4	37M7086	SCREW	2		X X	M10 X 20
5	24M7178	WASHER	2		X X	10.500 X 30 X 2.500 MM
6	19M7800	SCREW	2	-28SEP7	X X	M8 X 50
	37M7058	SCREW	2	29SEP7-	X X	M8 X 20
7	H157036	SHIELD	1	-28SEP7	X X	WIDE
	H164506	SHIELD	1	29SEP7-	X	
	H164494	SHIELD	1	29SEP7-	X	
..	BH80538	COMPLETE GOODS/SHIP. BUNDLE	1		X	CLEANING FAN SHIELD
..	BH80539	COMPLETE GOODS/SHIP. BUNDLE	1		X	CLEANING FAN SHIELD

8D19

FEEDER HOUSE FRAMES AND SHIELDS

FRONT VARIABLE DRIVE SHEAVE AND MOUNTINGS

HP9316 -UN-08DEC99



HP9316

8D20

FEEDER HOUSE FRAMES AND SHIELDS

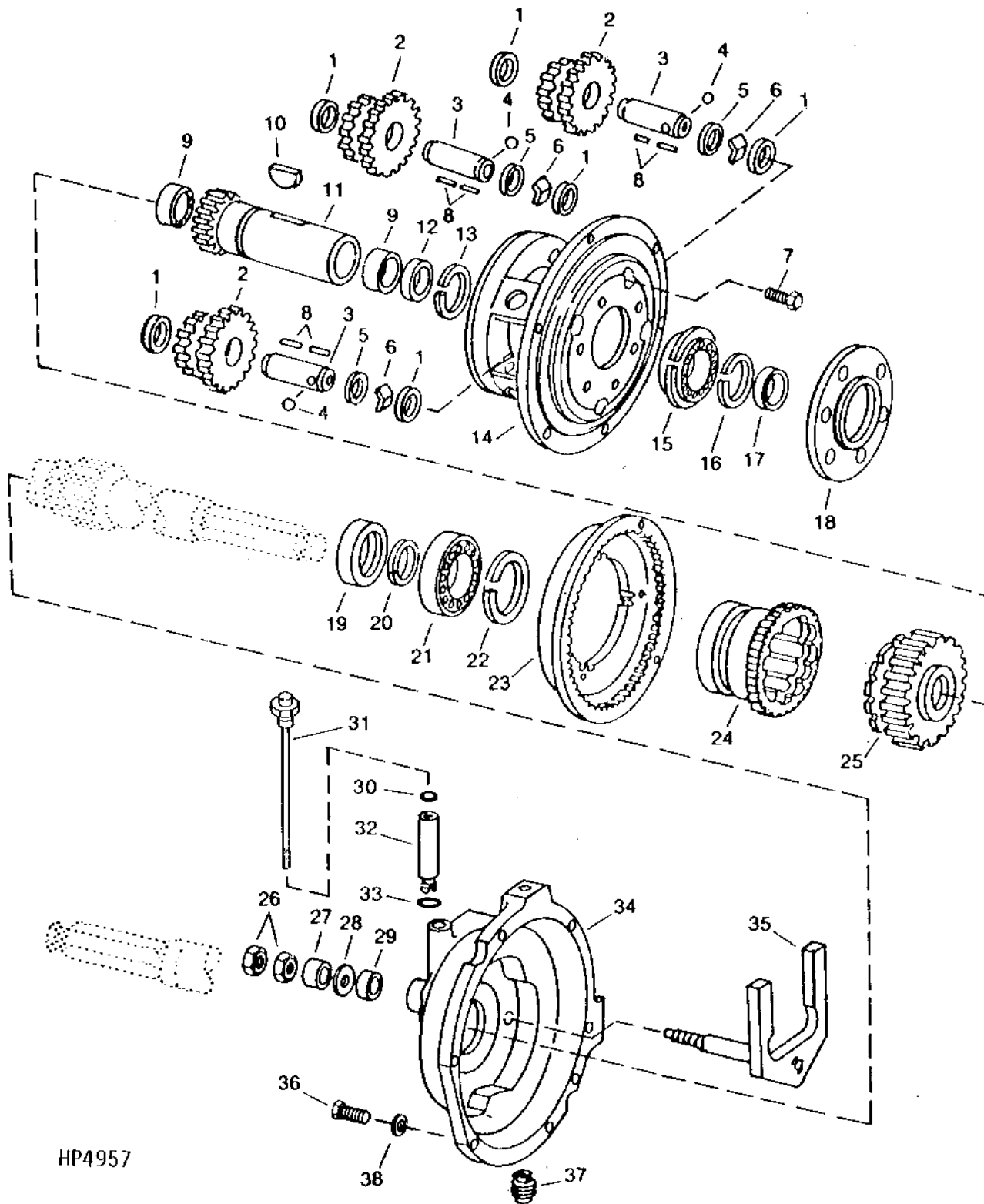
FRONT VARIABLE DRIVE SHEAVE AND MOUNTINGS - CONTINUED

KEY	PART NO.	PART NAME	QTY	SERIAL NO.	S H 9 5 0 0	REMARKS
1	CAM	1		X X	(ORDER AH138751) INNER
2	32243	PLUG	1		X X	
3	H107793	WASHER	1		X X	
4	19H1936	CAP SCREW	6		X X	3/8" X 3/4"
	12H304	LOCK WASHER	6		X X	3/8"
5	H155459	RETAINER	1		X X	(SUB FOR H93368)
6	19H3034	CAP SCREW	3		X X	3/8" X 3"
	12H304	LOCK WASHER	3		X X	3/8"
7	H108673	SHEAVE	1		X X	
8	B3118R	SNAP RING	1		X X	
9	22H775	SET SCREW	2		X X	5/16" X 1/4"
10	H110922	BALL	1		X X	0.236"
11	34H305	SPRING PIN	1		X X	7/32" X 2"
12	H125711	BELT	1		X X	38.100 X 4 520 MM (1-1/2" X 177.953")
13	JD7759	LUBRICATION FITTING	2		X X	
14	H107735	SHEAVE	1		X X	
15	H110728	RETAINER	1		X X	
16	H97308	SNAP RING	1		X X	
17	AH108161	SEAL	1		X X	
18	26H104	SHAFT KEY	1		X X	5/16" X 2-1/8"
19	CAM	1		X X	(ORDER AH138751) OUTER
20	H92260	SPRING	1		X X	
21	AH96345	SEAL	1		X X	
22	19H1863	CAP SCREW	1		X X	5/8" X 3"
23	P50456	WASHER	2		X X	16.301 X 76.200 X 4.500 MM (0.642" X 3" X 0.177")
24	H148132	BUSHING	2		X X	(SUB FOR H80197)
25	H148133	RETAINER	2		X X	(SUB FOR H78856)
26	T55761	SUPPORT	1		X X	
27	R20136	WASHER	1		X X	19.837 X 69.850 X 6.350 MM (25/32" X 2-3/4" X 1/4")
28	19H1950	CAP SCREW	1		X X	5/8" X 3-3/4"
29	H148134	SPACER	1		X X	16.130 X 19.930 X 41.900 MM (0.635" X 0.785" X 1.650") (SUB FOR H85482)
30	AH97642	SHAFT	1		X	VARIABLE AND FIXED SPEED
	AH135606	SHAFT	1		X	
	AH136873	SHAFT	1	660201-31JA00	X	CONTOUR MASTER
	AH152937	SHAFT	1		X	CONTOUR MASTER (USE WITH AH149349 (DRIVE SPROCKET) AND H170634 (TONE WHEEL))
31	AH144099	SUPPORT	1		X	(SUB FOR AH139919 OR AH130175) (ILLUSTRATED)
	AH135124	SUPPORT	1		X	
32	H95417	SPACER	1		X X	
33	H97410	WASHER	1		X X	26 X 108 X 6 MM (1.024" X 4.252" X 0.236")
34	R62502	SUPPORT	1		X X	
35	24M7241	WASHER	1	641654-	X X	17 X 34 X 4 MM
36	19M7784	SCREW	1		X	M10 X 20
37	03M7191	BOLT	5		X X	M10 X 25
	14M7296	FLANGE NUT	5		X X	M10
..	T43512	SEALANT	1	-640200	X	
..	TY15969	ADHESIVE	1		X X	50 ML SIZE
..	TY6333	GREASE	1		X X	14 OZ. TUBE
..	AH138751	KIT	1		X X	

8D21

FEEDER HOUSE FRAMES AND SHIELDS

REVERSER GEAR BOX
HP4957 -UN-01JAN94



HP4957

8D22

FEEDER HOUSE FRAMES AND SHIELDS

REVERSER GEAR BOX - CONTINUED

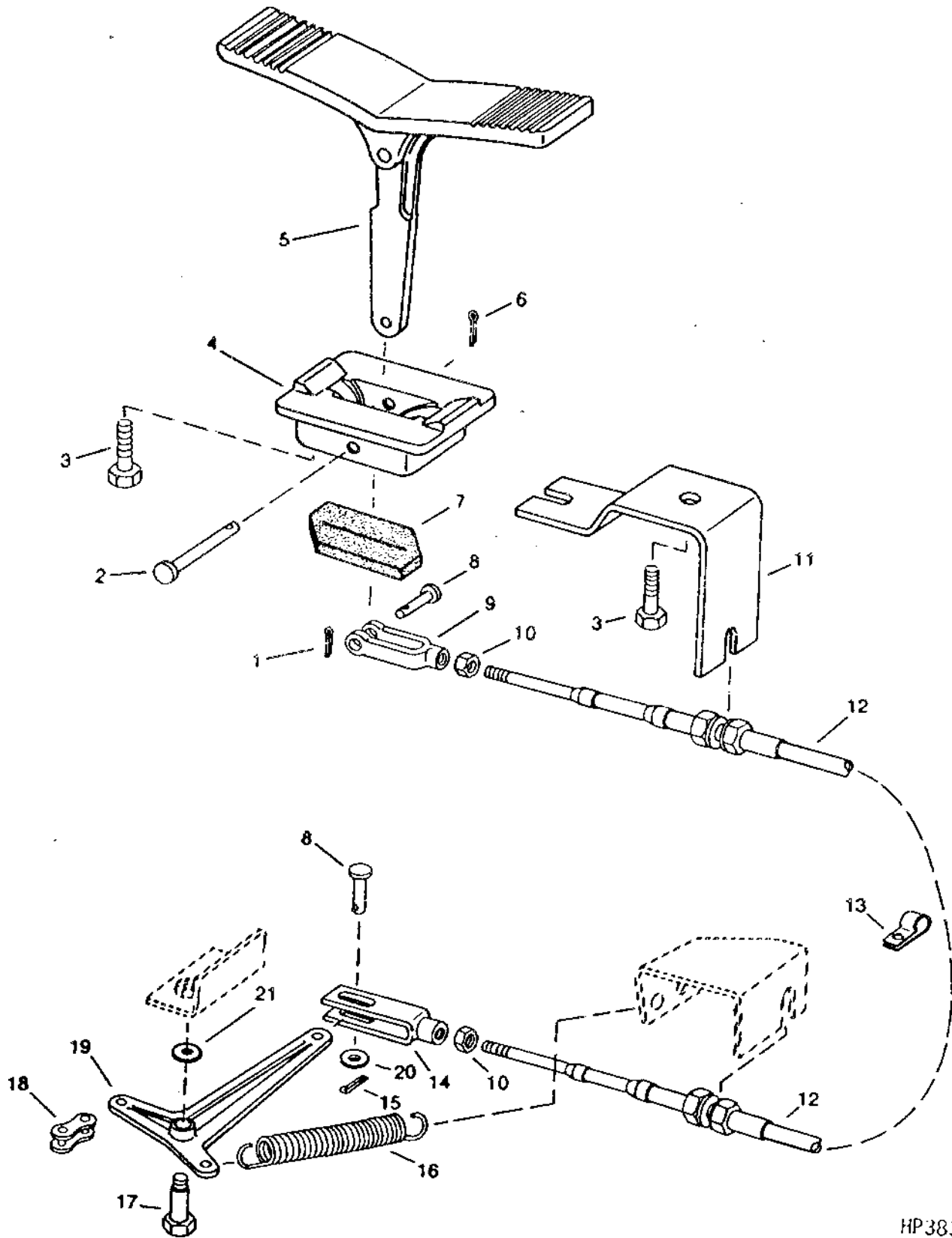
KEY	PART NO.	PART NAME	QTY	SERIAL NO.	S H 9 9 5 5 0 0 0 0	REMARKS
1	R66197	THRUST WASHER	6		X X	21.590 X 36.576 X 0.914 MM (0.850" X 1.440" X 0.036")
2	H105912	PINION	3		X X	(SUB FOR AH106618)
3	R33079	PIN	3		X X	
4	H871R	BALL	3		X X	
5	R33088	WASHER	3		X X	21.514 X 25.400 X 2.667 MM (0.847" X 1" X 0.105")
6	H89617	SPACER	3		X X	
7	19H1936	CAP SCREW	6		X X	3/8" X 3/4"
8	R33058	NEEDLE ROLLER	186		X X	(6 SETS OF 31)
9	JD8819	NEEDLE BEARING	2		X X	
10	26H41	SHAFT KEY	2		X X	5/16" X 2-1/8", WOODRUFF
11	H105909	GEAR	1		X X	INPUT
12	E53699	SEAL	1		X X	
13	B3118R	SNAP RING	1		X X	
14	H149504	COVER	1		X X	(SUB FOR H98906)
15	JD10010	BALL BEARING	1		X X	(WITH SNAP RING)
16	R39081	SNAP RING	1		X X	
17	R35643	SEAL	1	-643087	X	
	RE37626	SEAL	1	643088-656003	X X	
	AH144715	SEAL	1	656004-	X X	
18	H150662	BEARING HOUSING W/O BEARING	1	655986-	X X	(SUB FOR H105353 OR H146585)
19	AN12151	SEAL	1	-643087	X	
	AH140185	SEAL	1	643088-	X X	
20	N71922	SNAP RING	1		X X	
21	JD10011	BALL BEARING	1		X X	
22	BP13620	SNAP RING	1		X X	
23	AH105040	GEAR	1		X X	
24	H132328	SHIFT COLLAR	1		X X	
25	H106073	GEAR	1		X X	OUTPUT
26	14H832	NUT	2		X X	9/16"
27	28H2499	BUSHING	1		X X	18.847 X 26.670 X 15.875 MM (0.742" X 1.050" X 5/8")
28	24H1378	WASHER	1		X X	11/16" X 1-15/32" X 0.134"
29	AN113330	SEAL	1		X X	
30	R26906	O-RING	1		X X	19.177 X 2.464 MM (0.755" X 0.097")
31	AH140615	INDICATOR LIGHT	1		X X	(SUB FOR AH134599)
32	H140195	SPACER	1		X X	
33	R26375	O-RING	1		X X	16.358 X 2.210 MM (0.644" X 0.087")
34	AH159233	HOUSING	1		X X	(SUB FOR H129180, H146951, H149174 OR H149593)
35	AH93110	SHIFTER	1		X X	
36	19H1731	CAP SCREW	6		X X	3/8" X 1"
37	AN31004	PIPE PLUG	1		X X	12.700 MM (1/2")
38	12H304	LOCK WASHER	6		X X	3/8"
..	TY15130	SEALANT	1		X X	3 OZ. SIZE
..	AH134864	CASE	1		X	
..	AH140341	CASE	1		X	
..	AH153341	GEAR CASE	1		X	USE WITH AH149349 (DRIVE SPROCKET) AND H170634 (TONE WHEEL) (SUB FOR AH156049 OR AH145314) CONTOUR MASTER
..	T43512	SEALANT	1		X	50 ML. SIZE (CANADA PART NO. TY9477)

8D23

FEEDER HOUSE FRAMES AND SHIELDS

FEEDER HOUSE REVERSER FOOT CONTROL

HP3833 -UN-01JAN94



HP3833

8D24

FEEDER HOUSE FRAMES AND SHIELDS

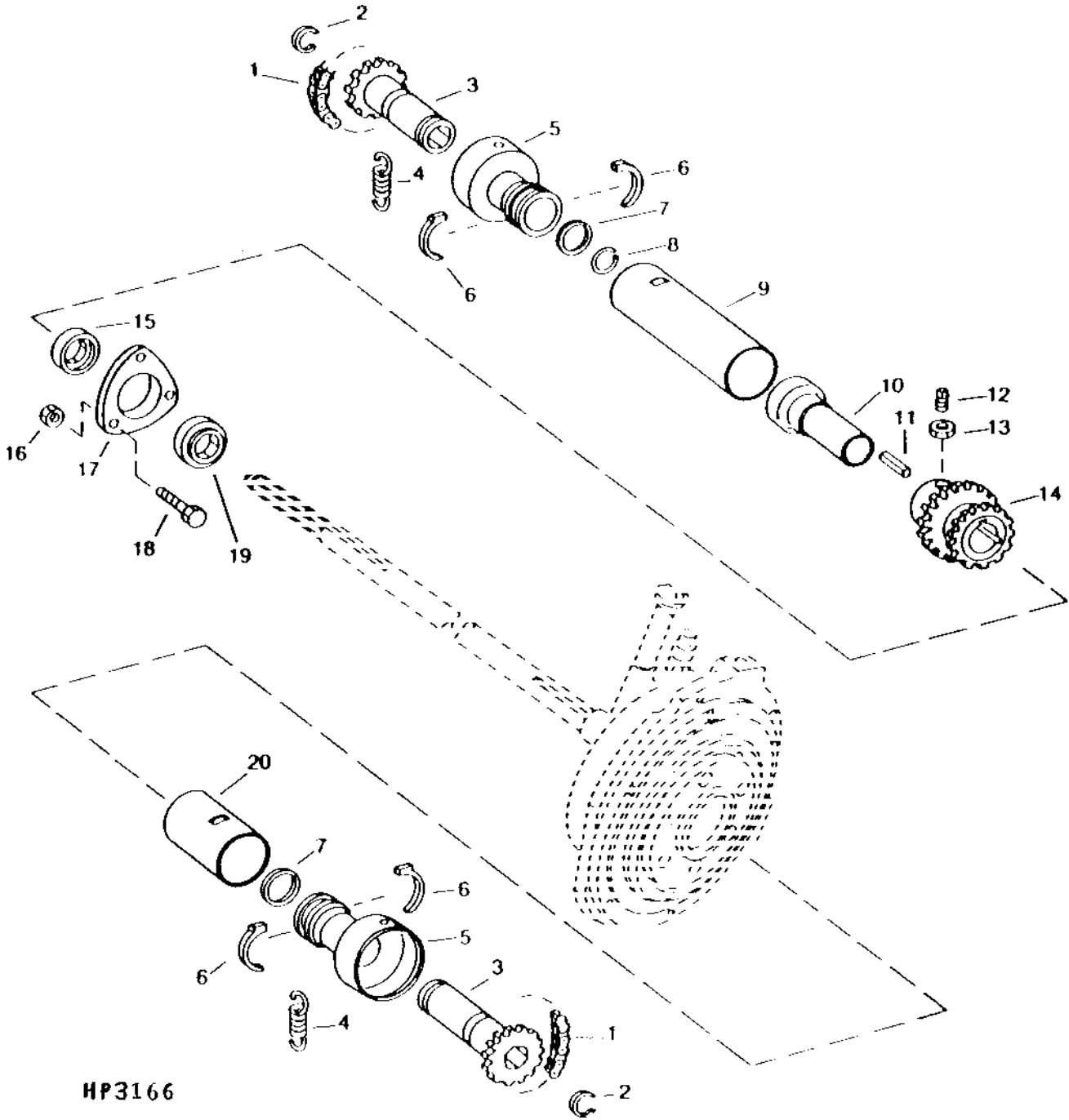
FEEDER HOUSE REVERSER FOOT CONTROL - CONTINUED

KEY	PART NO.	PART NAME	QTY	SERIAL NO.	S H 9 5 0 0	REMARKS
1	11M7082	COTTER PIN	1		X X	2.500 X 25 MM
2	R65569	PIN	1		X X	9.398 X 49.479 MM (0.370" X 1.948")
3	19M7866	SCREW	4		X X	M8 X 20
4	H134489	BEZEL	1		X X	
5	H134488	PEDAL	1		X X	
6	11M7081	COTTER PIN	1		X X	2.500 X 20 MM
7	H133210	SEAL	1		X X	
8	T16193	PIN	1		X X	6.248 X 29.362 MM (0.246" X 1-5/32")
9	H130646	YOKE	1		X X	
10	14M7273	NUT	2		X X	M8
11	H133208	SUPPORT	1		X X	
12	AH128452	PUSH PULL CABLE	1		X X	
13	R73384	CLAMP	1		X X	
14	AH127383	YOKE	1		X X	
15	11M7082	COTTER PIN	1		X X	2.500 X 25 MM
16	H84948	SPRING	1		X X	
17	H127749	BOLT	1		X X	M12 X 45
18	AE23791	CHAIN LINK	1		X X	
19	H140836	BELLCRANK	1		X X	(SUB FOR H127747)
20	24M7054	WASHER	1		X X	6.400 X 12 X 1.600 MM
21	24M7047	WASHER	1		X X	13 X 24 X 2.500 MM

8E1

FRONT SHAFT WITH REVERSER - (VARIABLE)

HP3166 -UN-21JUL95



HP3166

8E2

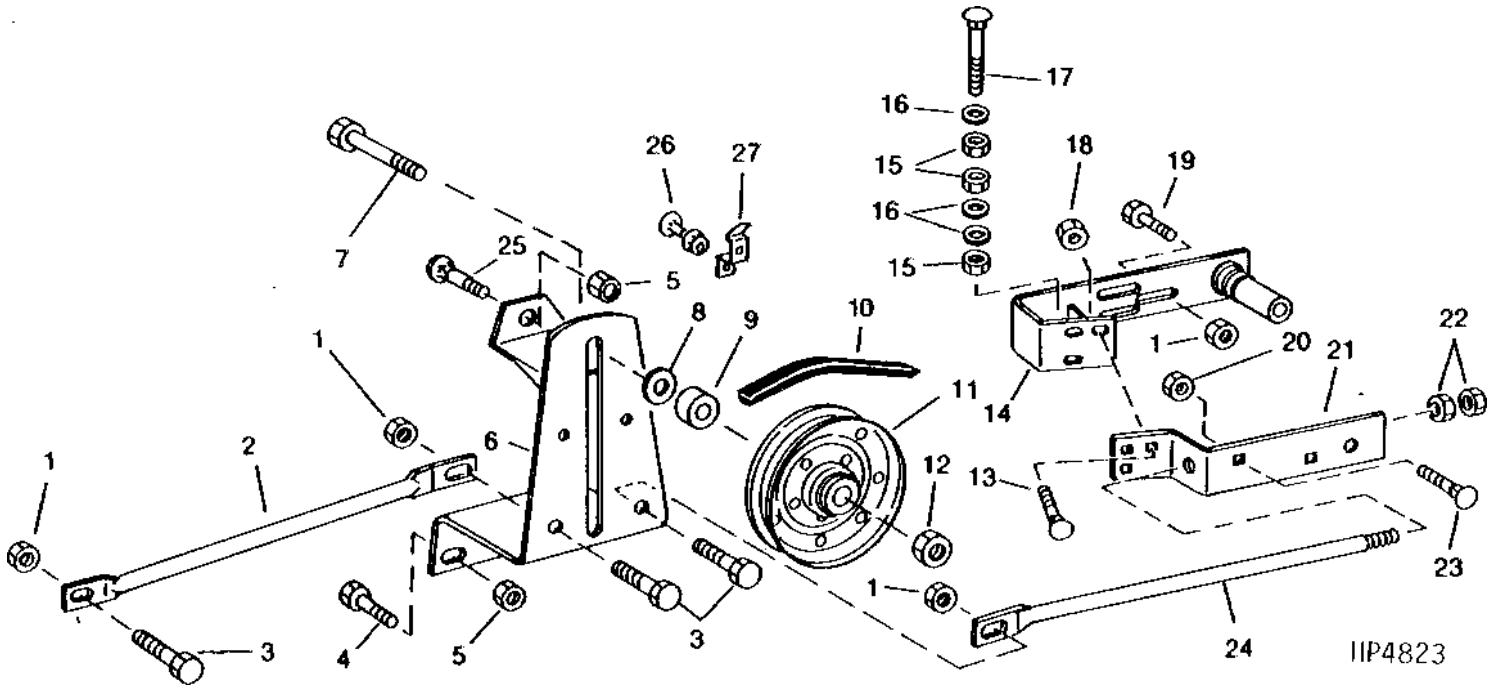
FEEDER HOUSE FRAMES AND SHIELDS

FRONT SHAFT WITH REVERSER - (VARIABLE) - CONTINUED

KEY	PART NO.	PART NAME	QTY	SERIAL NO.	S H 9 5 0 0	REMARKS
1	AN102383	LINK CHAIN	2		X	
2	H80926	SNAP RING	2		X	
3	AN102382	CHAIN SPROCKET	2		X	
4	H128118	SPRING	2		X	
5	H148818	QUICK COUPLER	2		X	(SUB FOR AH125783)
6	E62951	UNIVERSAL JOINT BEARING	4		X	
7	H25360	SNAP RING	2		X	
8	H28865	SNAP RING	1		X	
9	H127604	TUBE	1		X	
10	AH122495	SHIELD	1		X	
11	M73000	SHAFT KEY	1		X	
12	H138435	SET SCREW	2		X	M10 X 25
13	14M7274	NUT	2		X	M10
14	AH125782	CHAIN SPROCKET	1		X	
15	JD9201	ECCENTRIC LOCKING COLLAR	1		X	
16	14M7296	FLANGE NUT	3		X	M10
17	H93927	HOUSING	1		X	
18	03M7192	BOLT	3	-670200	X	M10 X 30
	03M7193	BOLT	3		X	M10 X 35
19	JD9202	BALL BEARING	1		X	
20	H127603	TUBE	1		X	

8E3

VARIABLE SPEED DRIVE TIGHTENER
HP4823 -UN-01JAN94



HP4823

8E4

FEEDER HOUSE FRAMES AND SHIELDS

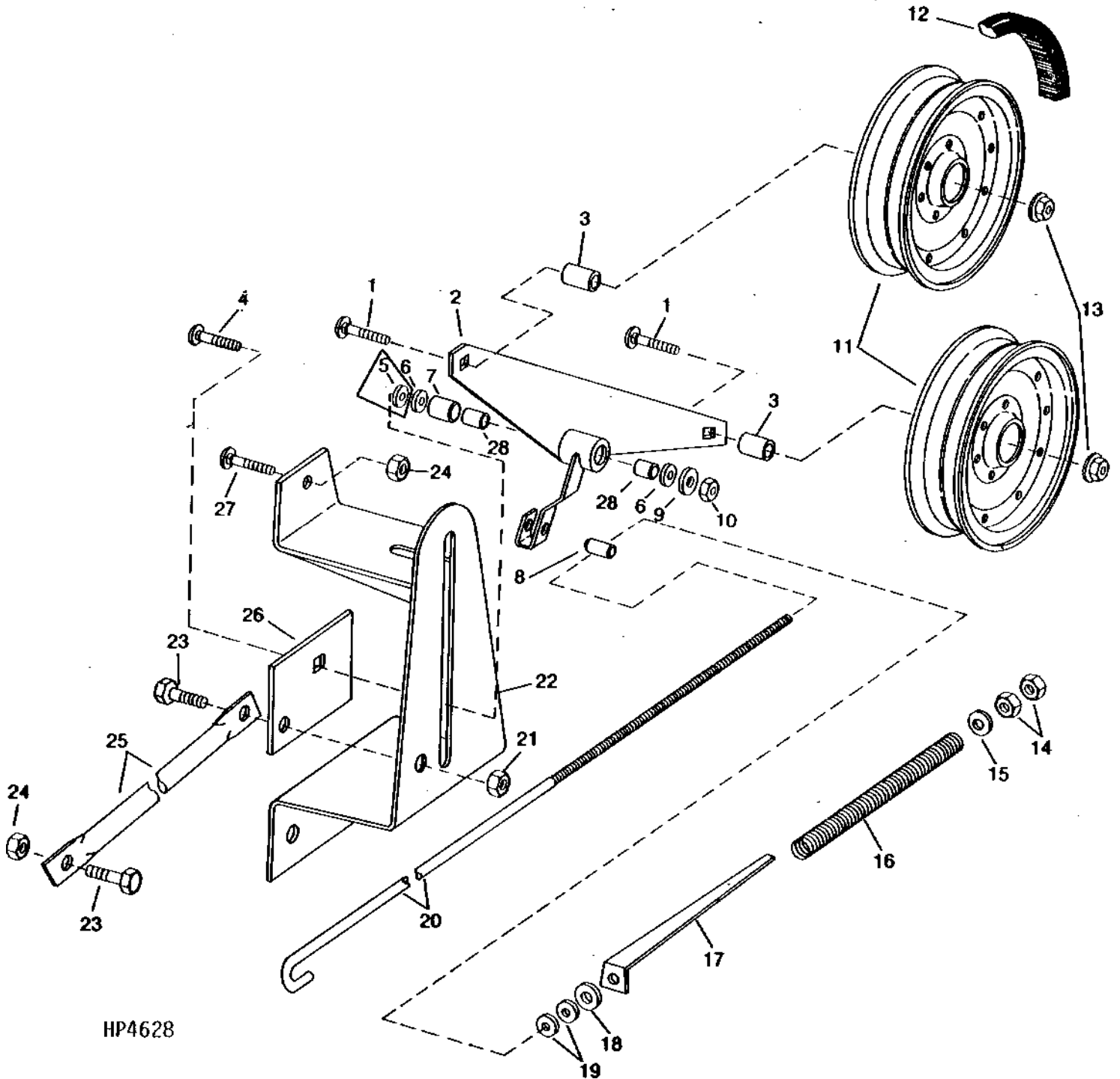
VARIABLE SPEED DRIVE TIGHTENER - CONTINUED

KEY	PART NO.	PART NAME	QTY	SERIAL NO.	S H 9 5 0 0	REMARKS
1	14M7299	FLANGE NUT	6		X X	M12
2	H126371	BRACE	1		X X	
3	19M7789	SCREW	3		X X	M12 X 30
4	19M7789	SCREW	2		X X	M12 X 30
5	14M7299	FLANGE NUT	3		X X	M12
6	AH139295	BRACKET	1		X X	(SUB FOR AH130565)
7	19M7845	SCREW	1		X X	M16 X 90
8	24H1698	WASHER	1		X X	16.662 X 41.275 X 6.350 MM (21/32" X 1-5/8" X 1/4")
9	H113892	SHIFT COLLAR	1		X X	
10	H161648	BELT	1		X X	(SUB FOR H125711)
11	AH94450	IDLER	1		X X	
12	14M7291	FLANGE NUT	1		X X	M16
13	03M7192	BOLT	3		X X	M10 X 30
14	AH120972	SUPPORT	1		X X	
15	14H821	NUT	3		X X	5/8"
16	24M7053	WASHER	3		X X	17 X 30 X 3 MM
17	03H2308	BOLT	1		X X	5/8" X 3-1/4"
18	14M7296	FLANGE NUT	3		X X	M10
19	19M7790	SCREW	3		X X	M12 X 35
20	14M7298	FLANGE NUT	2		X X	M8
21	H134087	STRAP	1		X X	
22	14M7277	NUT	2		X X	M20
23	03M7185	BOLT	2		X X	M8 X 25
24	AH142407	BRACE	1		X X	(SUB FOR AH128649)
25	03M7197	BOLT	1	-641680	X	M12 X 25
	03M7198	BOLT	1	641681-	X X	M12 X 30
26	03M7183	BOLT	1		X X	M8 X 16
	14M7298	FLANGE NUT	1		X X	M8
27	H136336	HOSE CLAMP	1		X X	

8E5

FEEDER HOUSE FRAMES AND SHIELDS

FIXED SPEED FEEDER HOUSE DRIVE TIGHTENER
HP4628 -UN-01JAN94



HP4628

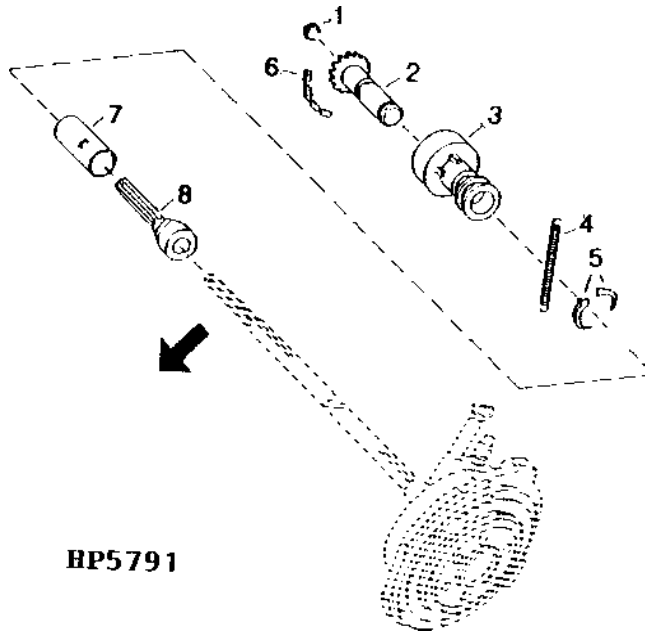
8E6

FEEDER HOUSE FRAMES AND SHIELDS

FIXED SPEED FEEDER HOUSE DRIVE TIGHTENER - CONTINUED

KEY	PART NO.	PART NAME	QTY	SERIAL NO.	S H 9 5 0 0	REMARKS
1	03M7211	BOLT	2		X	M16 X 70
2	AH97340	ARM	1		X	
3	L1730N	BUSHING	2		X	16.662 X 25.400 X 12.700 MM (21/32" X 1" X 1/2") (SUB FOR M2952DN)
4	03M7248	BOLT	1		X	M12 X 90
5	T20217	WASHER	1	-641504	X	0.510" X 1.730" X 1/4"
6	24H1413	WASHER	2		X	57/64" X 1-3/8" X 0.048"
7	H89297	BUSHING	1		X	13.487 X 22.200 X 53.340 MM (17/32" X 0.874" X 2.100")
8	H132825	PIVOT	1		X	
9	24H1748	WASHER	1		X	1/2" X 1-1/4" X 0.105"
10	A31867	LOCK NUT	1		X	M12
11	AH94450	IDLER	2		X	
12	H126345	BELT	1		X	
13	14M7291	FLANGE NUT	2		X	M16
14	14M7275	NUT	2		X	M12
15	24H1789	WASHER	1		X	17/32" X 1-1/4" X 0.105"
16	A25695	SPRING	1		X	
17	H95499	GAUGE	1		X	
18	24H1748	WASHER	1		X	12.700 X 31.750 X 2.667 MM (1/2" X 1-1/4" X 0.105")
19	24M7240	WASHER	2		X	13 X 25 X 3 MM
20	H126346	BOLT	1		X	
21	14M7299	FLANGE NUT	1		X	M12
22	AH139295	BRACKET	1		X	(SUB FOR AH130565)
23	19M7789	SCREW	2		X	M12 X 30
24	14M7299	FLANGE NUT	2		X	M12
25	H126371	BRACE	1		X	
26	H126370	REINFORCEMENT	1		X	
27	03M7197	BOLT	1	-641948	X	M12 X 25
	03M7198	BOLT	1	641949-	X	M12 X 30
28	H98655	BUSHING	2		X	

LOCKOUT ADAPTER KIT - CONTOUR MASTER
(BELT PICK-UP PLATFORM AND 4-ROW CORNHEADS ONLY)
 (660201-)
 HP5791 -UN-15OCT94



HP5791

S
H
9 9
5 5
0 0
0 0

KEY	PART NO.	PART NAME	QTY	SERIAL NO.	REMARKS
1	H80926	SNAP RING	1	X	
2	AH143069	DRIVE SPROCKET	1	X	14 TOOTH
3	H148818	QUICK COUPLER	1	X	
4	H128118	SPRING	1	X	
5	E62951	UNIVERSAL JOINT BEARING	2	X	
6	AN102383	LINK CHAIN	1	X	(13 LINKS)
7	H127603	TUBE	1	X	
8	AH142560	INTERNAL HALF COUPLER	1	X	
..	BH81360	COMPLETE GOODS/SHIP. BUNDLE	1	X	CONTOUR MASTER SHAFT FOR 914/494

MEMORANDA

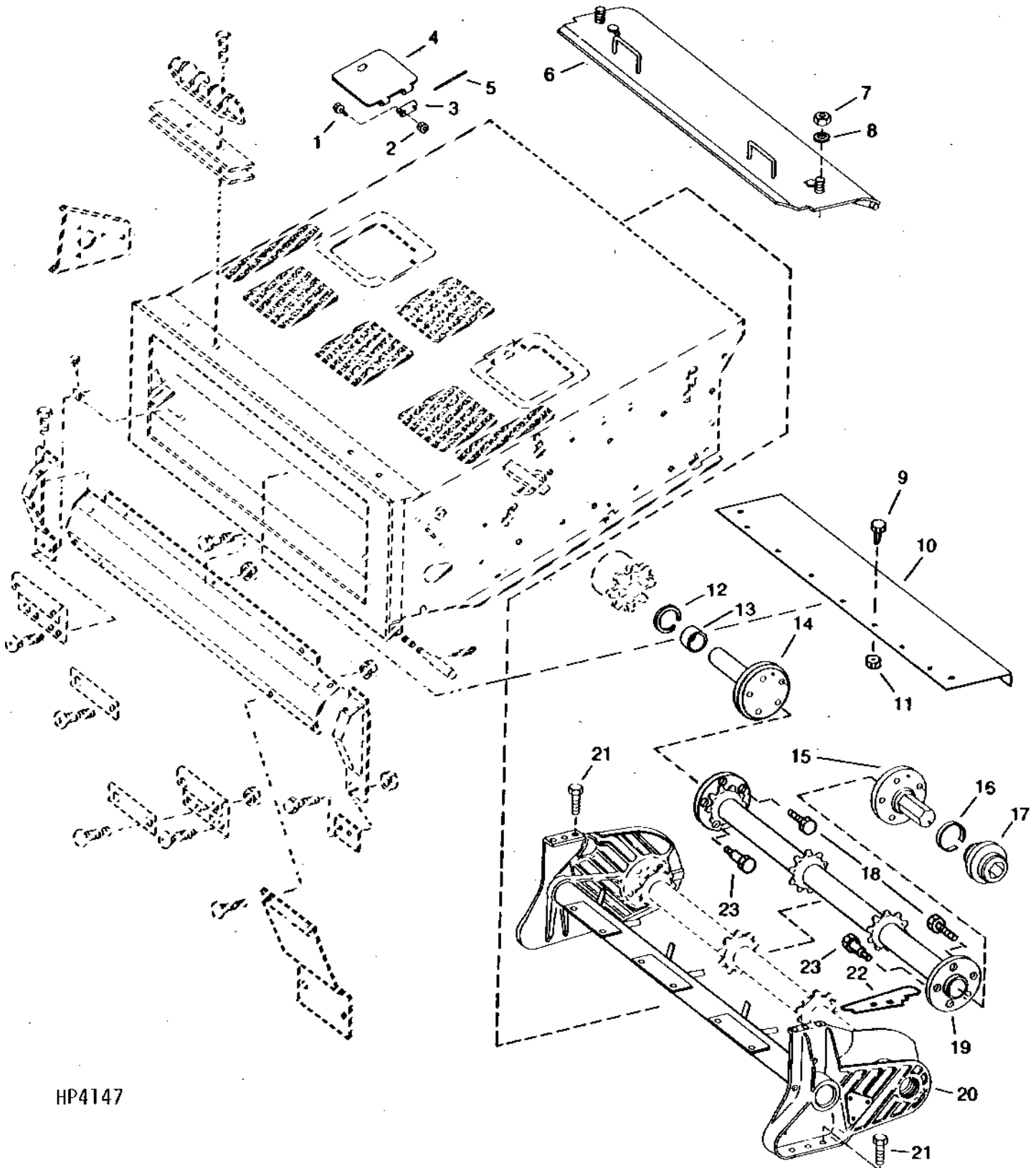
8E8

FEEDER HOUSE FRAMES AND SHIELDS

FEEDER HOUSE UPPER SHAFT

(-643900)

HP4147 -UN-01JAN94



HP4147

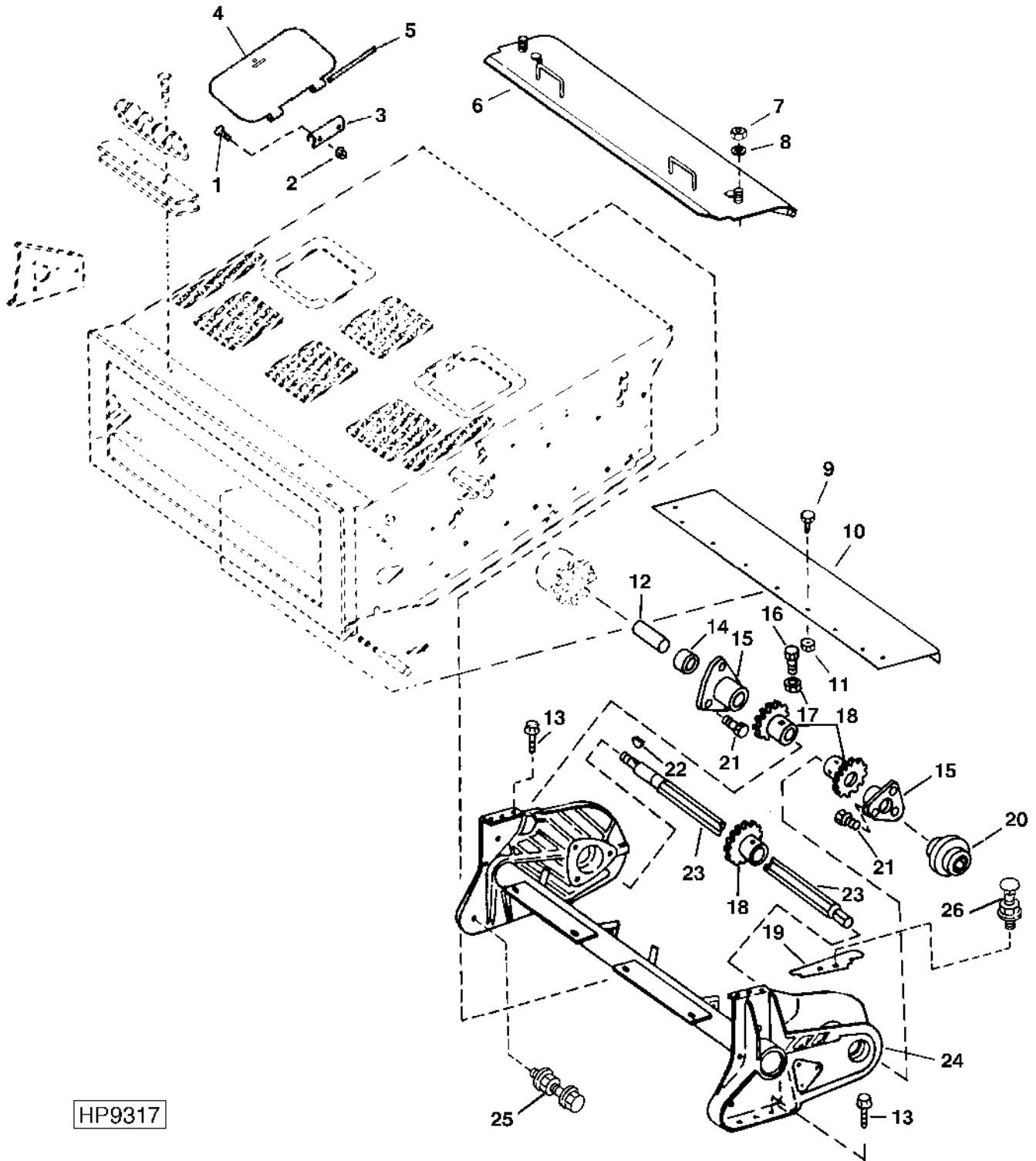
FEEDER HOUSE UPPER SHAFT - CONTINUED
(-643900)

KEY	PART NO.	PART NAME	QTY	SERIAL NO. OR YEAR	S H 9 5 0 0 0 0	REMARKS
1	03M7183	BOLT	4		X	M8 X 16
2	14M7298	FLANGE NUT	4		X	M8
3	H133989	HINGE	2		X	
4	H133990	DOOR	2		X	
5	H137322	PIN	2	-638258	X	(SUB H75985)
	H75985	DOWEL PIN	2		X	6.350 X 174.752 MM (1/4" X 6.880")
6	AH126417	DOOR	1		X	
7	14M7401	LOCK NUT	2		X	M12
8	24M7047	WASHER	2		X	13 X 24 X 2.500 MM
9	03M7184	BOLT	7		X	M8 X 20
10	H143456	WEAR PLATE	1	637386-640200	X	
	H144052	WEAR PLATE	1	640201-	X	
11	14M7298	FLANGE NUT	7		X	M8
12	40M7090	SNAP RING	1		X	
13	AH109788	ROLLER BEARING	1		X	
14	H129681	SHAFT	1		X	
15	H129658	DRIVE SHAFT	1		X	
16	32184	SNAP RING	1		X	
17	AE46606	BEARING	1	-643457	X	
	JD9373	BALL BEARING	1	643458-	X	
18	19M7938	CAP SCREW	6		X	M10 X 20
19	AH125196	SHAFT	1		X	
20	AH130870	TUBE	1	-643457	X	(SUB AH137224, H143353, (3) H118583, (6) H118776, (6) 14H732, JD10020, JD9373, (2) H147593, (6) 19M7788, (2) H145464 AND H143354) FIXED SPEED FOR PARTS SEE NEXT PAGE
	AH132830	TUBE	1	-643457	X	(SUB AH137224, H143353, (3) H118583, (6) H118776, (6) 14H732, JD10020, JD9373, (2) H147593, (6) 19M7788, (2) H145464 AND H143354) VARIABLE SPEED FOR PARTS SEE NEXT PAGE
21	19M7895	SCREW	12		X	M20 X 50
22	H133508	BRACKET	4		X	
23	H139837	BOLT	4		X	M10 X 20

8E10

FEEDER HOUSE UPPER SHAFT

(643901-)
HP9317 -UN-18NOV99



HP9317

8E11

FEEDER HOUSE FRAMES AND SHIELDS

FEEDER HOUSE UPPER SHAFT - CONTINUED

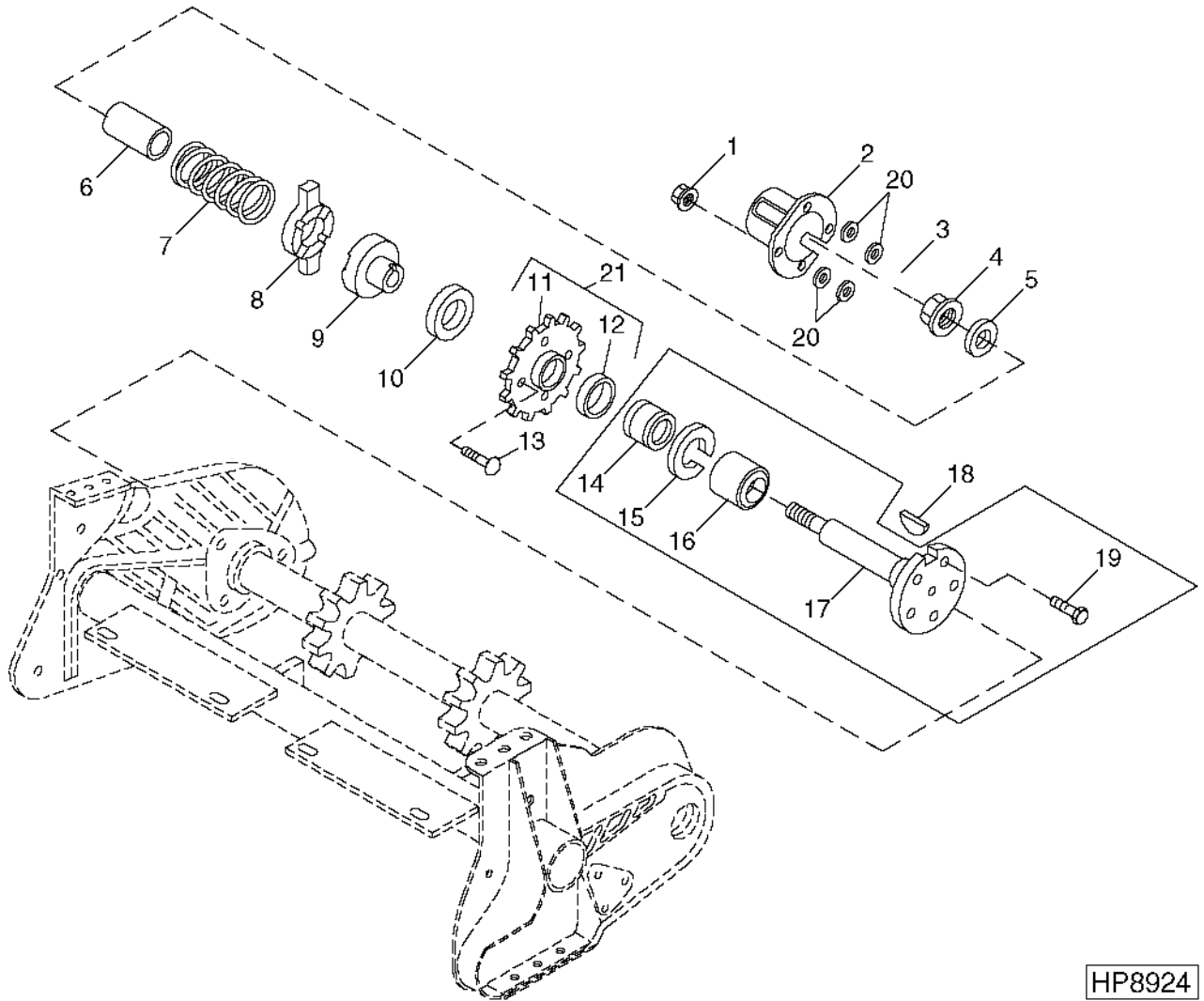
(643901-)

KEY	PART NO.	PART NAME	QTY	SERIAL NO.	S H 9 5 0 0 0 0	REMARKS
1	03M7183	BOLT	4		X	M8 X 16
2	14M7298	FLANGE NUT	4		X	M8
3	H133989	HINGE	2		X	
4	H152062	DOOR	2		X	(SUB FOR H133990)
5	H76083	PIN	2		X	6.350 X 863.600 MM (1/4" X 34") (SUB FOR H75985)
6	AH126417	DOOR	1		X	
7	14M7401	LOCK NUT	2		X	M12
8	24M7047	WASHER	2		X	13 X 24 X 2.500 MM
9	03M7184	BOLT	7		X	M8 X 20
10	H144052	WEAR PLATE	1		X	
	H143456	WEAR PLATE	1		X	RICE
11	14M7298	FLANGE NUT	7		X	M8
12	H143354	SPACER	1		X	38.100 X 47.625 X 99.500 MM (1-1/2" X 1-7/8" X 3.917")
13	19M7895	SCREW	12		X	M20 X 50
	24M7242	WASHER	1	640817-	X	21.400 X 42 X 5 MM
14	JD10020	BALL BEARING	1		X	
15	H143351	HOUSING	2	-646196	X	(SUB H147593)
	H147593	HOUSING	2		X	
16	H118776	SET SCREW	8		X	9.525 X 19 MM (3/8" X 0.748")
17	14H732	NUT	8		X	3/8"
18	H118583	CHAIN SPROCKET	3		X	
19	H133508	BRACKET	2	-645656	X	
	H147482	BRACKET	2	645657-	X	(SUB FOR H149883)
20	JD9373	BALL BEARING	1		X	
21	19M7788	SCREW	6	-646318	X	M12 X 25
	19M7789	SCREW	6	646319-	X	M12 X 30
22	26H103	SHAFT KEY	1		X	1/4" X 2-1/8"
23	H151566	SHAFT	1		X	(SUB FOR H143353)
24	AH141399	TUBE	1		X	(SUB FOR AH137224)
25	19M7785	SCREW	6		X	M10 X 25
	14M7296	FLANGE NUT	6		X	M10
26	03M7191	BOLT	4		X	M10 X 25
	14M7296	FLANGE NUT	4		X	M10

8E12

FEEDER HOUSE SLIP CLUTCH

HP8924 -UN-25AUG99



HP8924

8E13

FEEDER HOUSE FRAMES AND SHIELDS

FEEDER HOUSE SLIP CLUTCH - CONTINUED

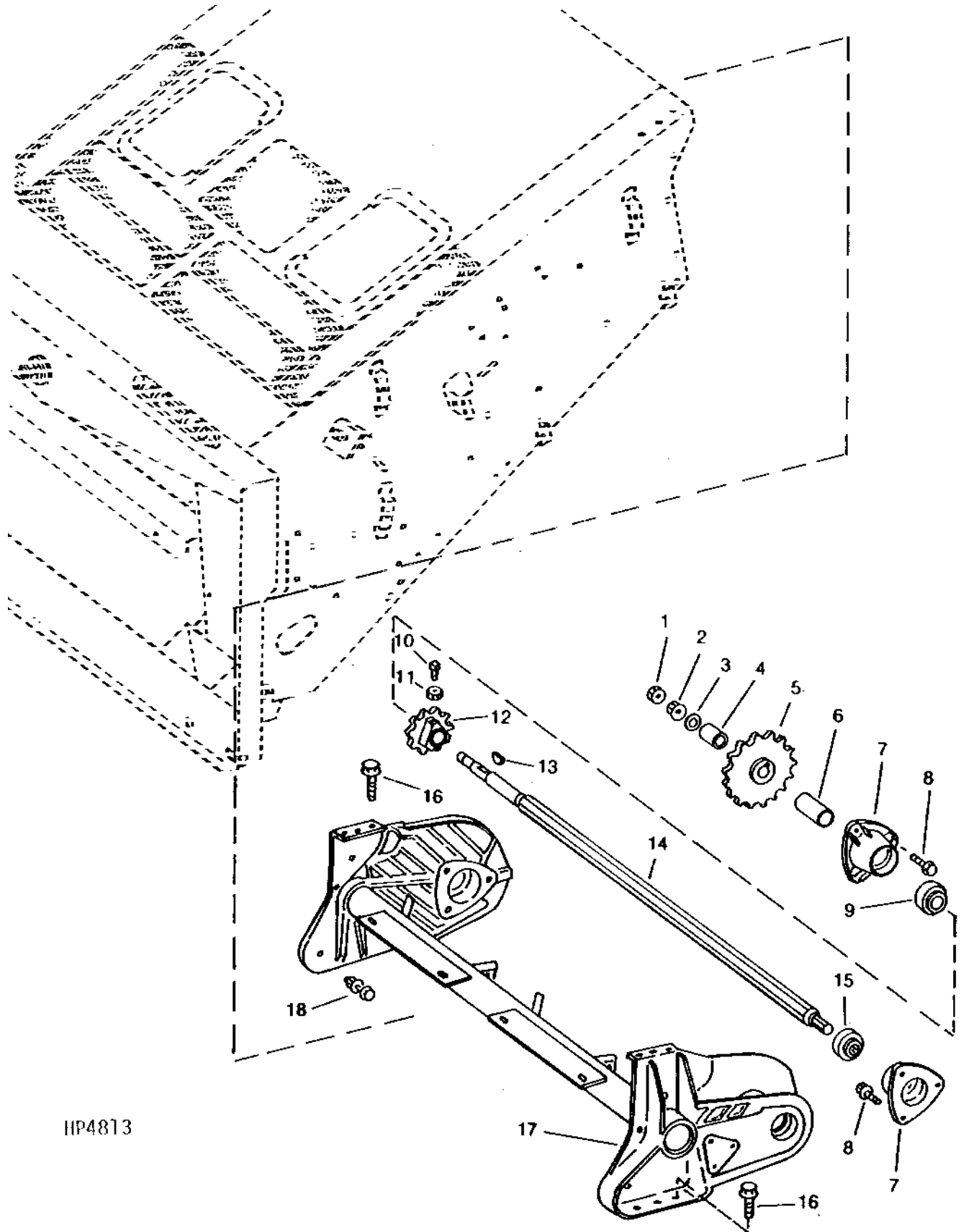
KEY	PART NO.	PART NAME	QTY	SERIAL NO.	S H 9 5 0 0	REMARKS
1	14M7299	FLANGE NUT	4		X	M12
2	H119710	PLANET PINION CARRIER	1		X	
3	A31870	LOCK NUT	1		X	M20
4	14M7300	FLANGE NUT	1	-643900	X	M20
	14M7278	NUT	1	643901-	X	M24
5	24M7242	WASHER	1	-645231	X	21.400 X 42 X 5 MM
	R90521	WASHER	1	645232-	X	24.500 X 37 X 6.200 MM
6	H129659	SPACER	1		X	30.140 X 38.100 X 48 MM (1.187" X 1-1/2" X 1.890")
7	H102497	SPRING	1	-637363	X	
	H109855	SPRING	1	637364-	X	
8	H101677	JAW	1		X	
9	H105590	HUB	1		X	
10	H99303	WASHER	1		X	46.736 X 90.424 X 3.404 MM (1.840" X 3.560" X 0.134")
11	H119709	CHAIN SPROCKET	1		X	
12	H105584	BUSHING	1		X	
13	03M7200	BOLT	4		X	
14	H130571	SPACER	1	-643900	X	
15	40M7090	SNAP RING	1	-643900	X	
16	AH109788	ROLLER BEARING	1	-643900	X	
17	H129681	SHAFT	1	-643000	X	
18	26H103	SHAFT KEY	1		X	6.350 X 53.975 MM
19	19M7938	CAP SCREW	4	-643900	X	M10 X 20
20	24H1341	WASHER	4	637364-	X	
21	AH116232	CHAIN SPROCKET	1		X	

8E14

UPPER SHAFT AND PIVOT HOUSING

(SIDEHILL)

HP4813 -UN-01JAN94



HP4813

8E15

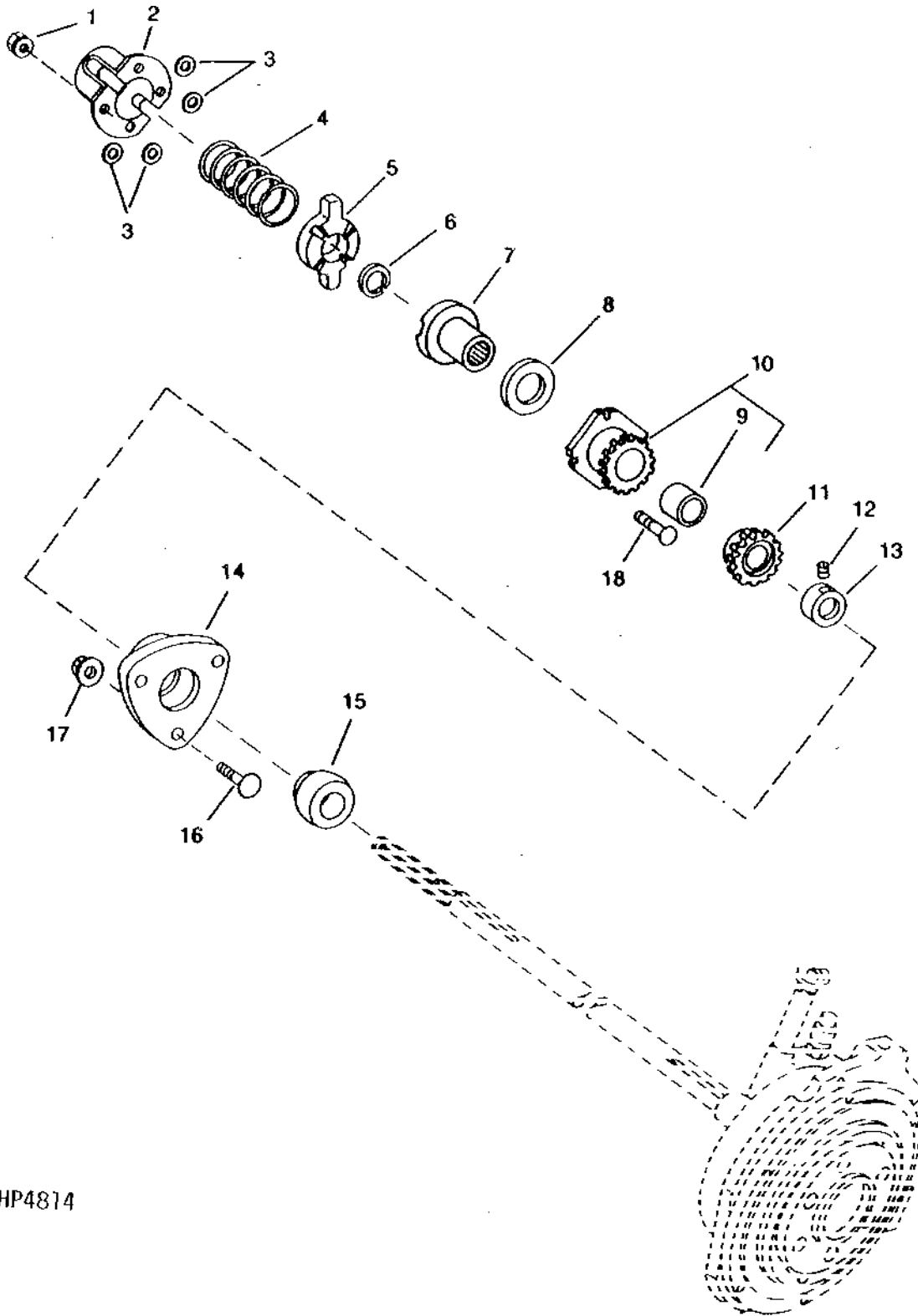
FEEDER HOUSE FRAMES AND SHIELDS

UPPER SHAFT AND PIVOT HOUSING - CONTINUED (SIDEHILL)

KEY	PART NO.	PART NAME	QTY	SERIAL NO.	S H 9 5 0 0 0 0	REMARKS
1	A31871	LOCK NUT	1		X	M24
2	14M7278	NUT	1		X	M24
3	R90521	WASHER	1		X	24.500 X 37 X 6.200 MM (0.965" X 1.457" X 0.244")
4	H129659	SPACER	1		X	30.140 X 38.100 X 48 MM (1.187" X 1-1/2" X 1.890")
5	AH135614	DRIVE SPROCKET	1		X	34 TOOTH
	AH135694	LINK CHAIN	1		X	
6	H143354	SPACER	1		X	38.100 X 47.625 X 99.500 MM (1-1/2" X 1-7/8" X 3.917")
7	H147593	HOUSING	2		X	
8	19M7788	SCREW	6		X	M12 X 25
9	JD10020	BALL BEARING	1		X	R.H.
10	H118776	SET SCREW	6		X	9.525 X 19 MM (3/8" X 0.748")
11	14H732	NUT	6		X	3/8"
12	H118583	CHAIN SPROCKET	3		X	10 TOOTH
	AH135693	LINK CHAIN	1		X	
13	26H103	SHAFT KEY	1		X	1/4" X 2-1/8"
14	H151566	SHAFT	1		X	(SUB FOR H143353)
15	JD9373	BALL BEARING	1		X	
16	19M7895	SCREW	12		X	M20 X 50
	14M7300	FLANGE NUT	12		X	M20
17	AH141399	TUBE	1		X	
18	19M7785	SCREW	4		X	M10 X 25
	14M7296	FLANGE NUT	4		X	M10

8E16

FRONT SHAFT SLIP CLUTCH
(SIDEHILL) (R.H. SIDE)
HP4814 -UN-01JAN94



HP4814

8E17

FEEDER HOUSE FRAMES AND SHIELDS

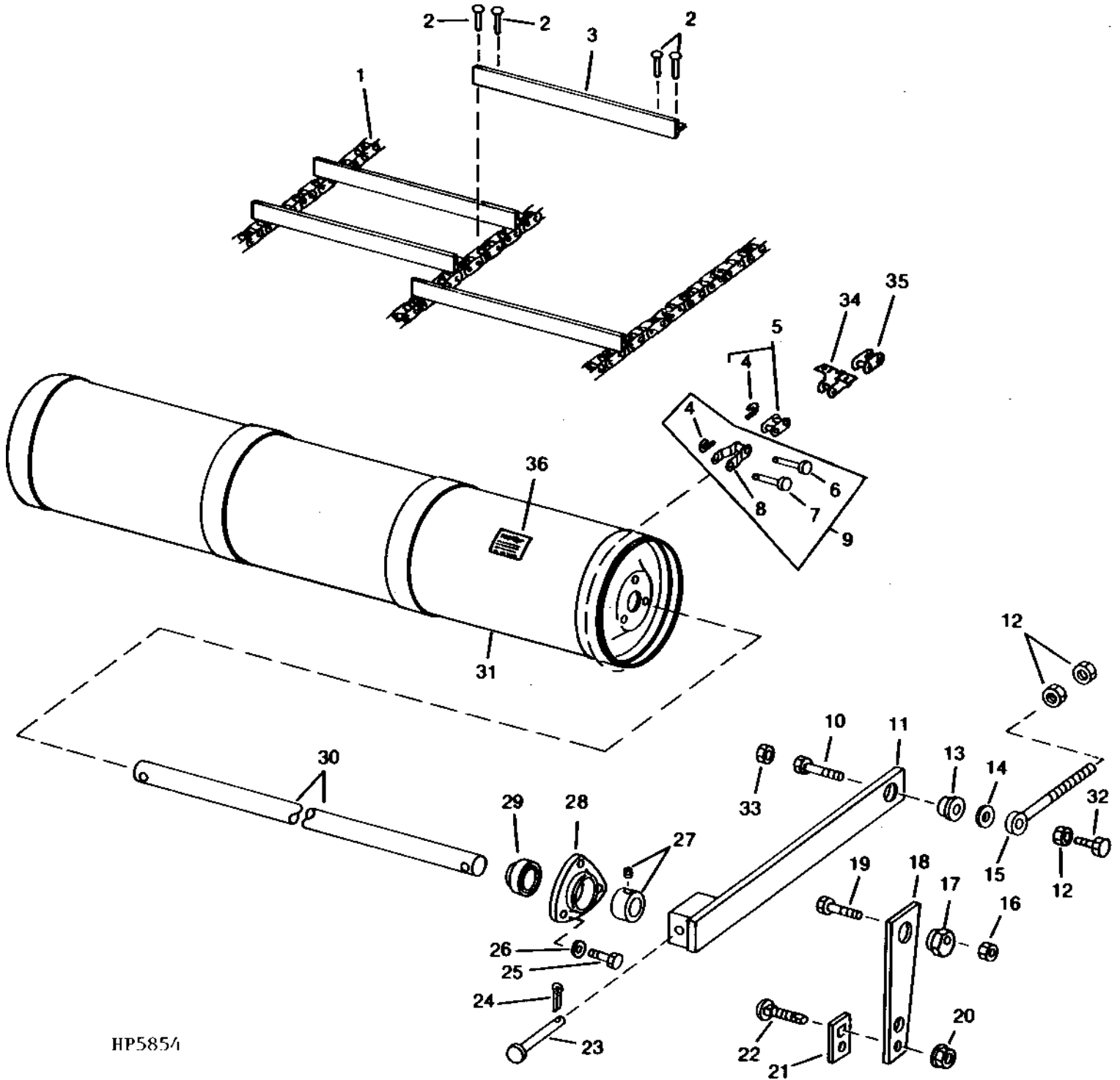
FRONT SHAFT SLIP CLUTCH - CONTINUED (SIDEHILL) (R.H. SIDE)

KEY	PART NO.	PART NAME	QTY	SERIAL NO.	REMARKS
					S
					H
					9 9
					5 5
					0 0
					0 0
1	14M7299	FLANGE NUT	4		X M12
2	H119710	PLANET PINION CARRIER	1		X
3	24H1341	WASHER	8		X 17/32" X 15/16" X 0.060"
4	H102497	SPRING	1		X
5	H101677	JAW	1		X
6	40M7046	SNAP RING	1		X
7	H144313	THRESHING CYL HEAD (W/HUB)	1		X
8	N102042	WASHER	1		X 51.562 X 90.424 X 3.400 MM (2.030" X 3.560" X 0.134")
9	R66651	BUSHING	1		X
10	AH153261	DRIVE SPROCKET	1		X (SUB FOR AH135607)
11	H135772	WHEEL	1		X 18-TOOTH
12	22H979	SET SCREW	1		X 3/8" X 3/8"
13	JD9201	ECCENTRIC LOCKING COLLAR	1		X
14	H93927	HOUSING	1		X
15	JD9202	BALL BEARING	1		X
16	03M7193	BOLT	3		X M10 X 35
17	14M7296	FLANGE NUT	3		X M10
18	03M7200	BOLT	4		X M12 X 40

8E18

FEEDER HOUSE FRAMES AND SHIELDS

FEEDER CONVEYOR IDLER SHAFT, DRUM AND CHAIN
HP5854 -UN-14OCT94



HP5854

8E19

FEEDER HOUSE FRAMES AND SHIELDS

FEEDER CONVEYOR IDLER SHAFT, DRUM AND CHAIN - CONTINUED

KEY	PART NO.	PART NAME	QTY	SERIAL NO.	S H 9 5 0 0	REMARKS
1	AH137845	CONVEYOR	1		X	(SUB FOR AH130105 OR AH137598) NARROW SPACED (49 SLATS)
	AH138187	CONVEYOR	1		X	(SUB FOR AH137592) WIDE SPACED (34 SLATS)
2	16H1083	RIVET	196		X	5/16" X 5/8", (CONNECTING LINK TO SLAT)
3	H134002	SLAT	49		X	
4	H84026	HOOK	6		X	
5	AH137630	CHAIN LINK	5		X	(SUB FOR AH84241)
6	PIN	3		X	
7	PIN	3		X	
8	CHAIN LINK	3		X	
9	AH137631	CHAIN LINK	3		X	(SUB FOR AH131105) REPAIR KIT
10	19M7825	SCREW	2	-638900	X	M16 X 65
11	AH126091	ARM	2		X	
12	14M7291	FLANGE NUT	6		X	M16
13	H131087	BUSHING	1		X	16.500 X 25.600 X 17 MM (0.650" X 1.008" X 0.669")
14	24H1368	WASHER	1		X	21/32" X 1-5/16" X 0.090"
15	H131088	EYEBOLT	1		X	
16	14M7275	NUT	1		X	M12
17	H97322	CAM	1		X	
18	H84942	PLATE	1		X	
19	03M7202	BOLT	1		X	M12 X 50
20	14M7299	FLANGE NUT	1		X	M12
21	H144201	ADJUSTING STRAP	2		X	(SUB FOR H126705)
22	H154331	BOLT	1	665601-	X	(SUB FOR H131090)
23	45M7040	PIN	1		X	10 X 60 MM
24	11M7059	COTTER PIN	1		X	3.200 X 20 MM
25	19H1731	CAP SCREW	6	-638058	X	3/8" X 1"
	19M7790	SCREW	6	638058-	X	M12 X 35, USE WITH AH133494
26	12H304	LOCK WASHER	6		X	3/8"
27	JD8551	ECCENTRIC LOCKING COLLAR	2		X	
28	H97919	HOUSING	2	-638058	X	
	H138753	HOUSING	2	638058-	X	USE WITH AH133494
29	JD8552	BALL BEARING	2		X	
30	H123734	SHAFT	1		X	
31	AH120210	DRUM	1	-638058	X	(SUB AH133494, (2) H138753 AND (6) 19M7790)
	AH142394	DRUM	1		X	(SUB FOR AH133494)
32	19M7399	CAP SCREW	2	637441-	X	M16 X 85
33	W39621	NUT	2	637441-	X	
34	AH137632	CHAIN LINK	1		X	
	H84026	HOOK	1		X	
35	C10232	LINK	1	-29SE97	X	
	AH158635	CHAIN LINK	1	29SE97-	X	
36	H150528	LABEL	1		X	"IMPORTANT" (S-PIN LOCATION)

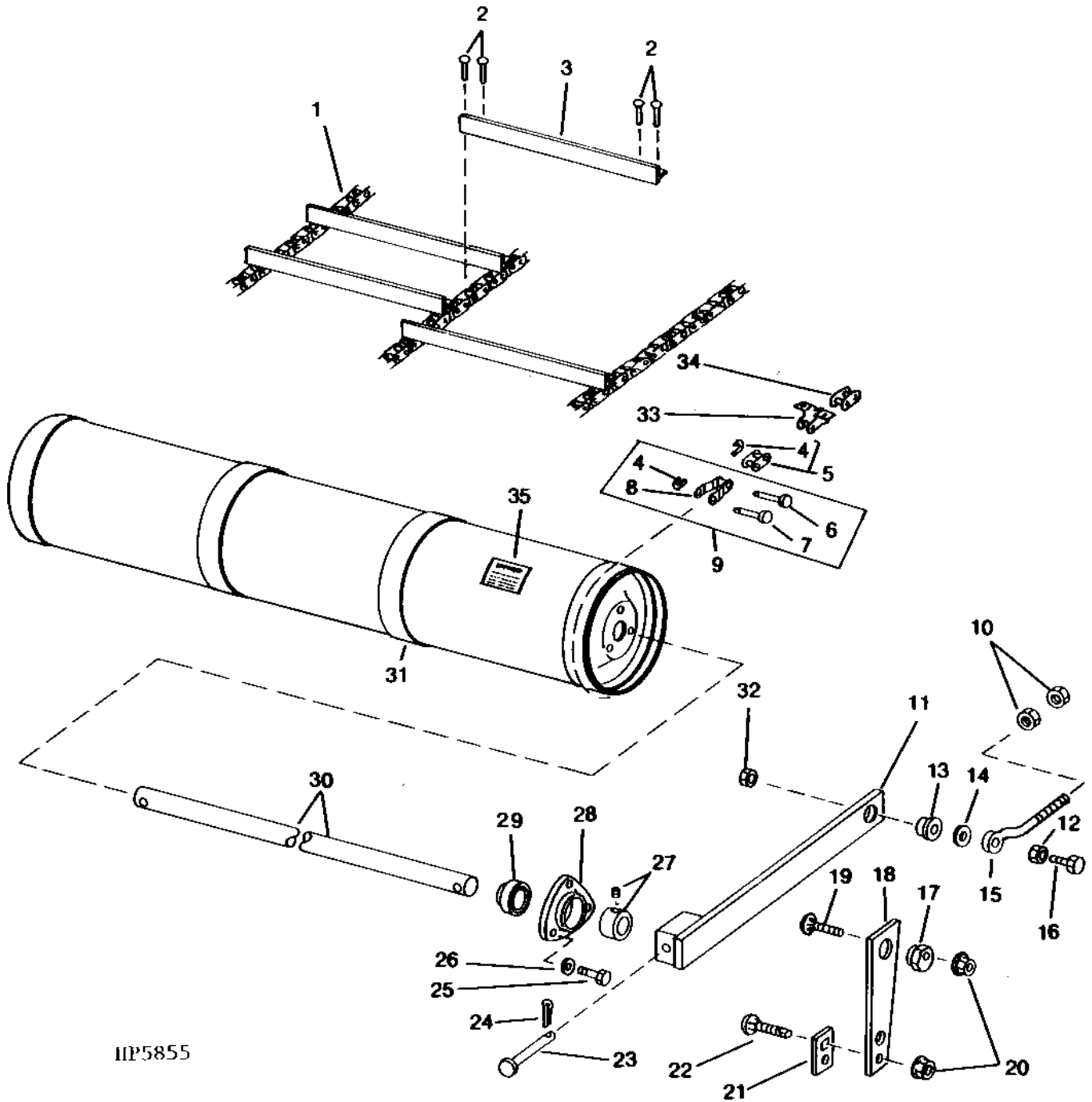
8E20

FEEDER CONVEYOR IDLER SHAFT, DRUM AND CHAIN

(SIDEHILL)

HP5855

-UN-14OCT94



HP5855

8E21

FEEDER HOUSE FRAMES AND SHIELDS

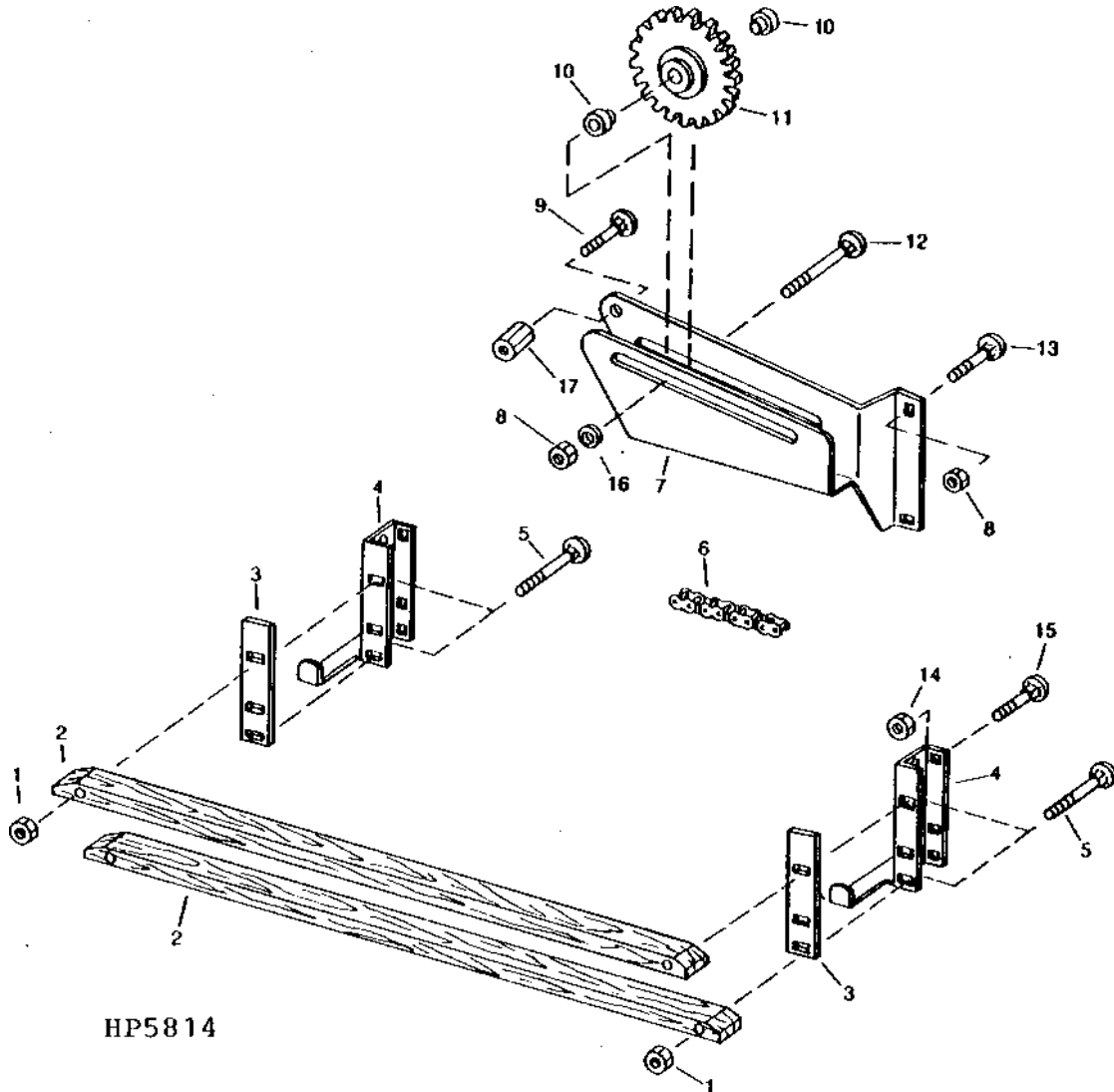
FEEDER CONVEYOR IDLER SHAFT, DRUM AND CHAIN - CONTINUED (SIDEHILL)

KEY	PART NO.	PART NAME	QTY	SERIAL NO.	S H 9 5 0 0 0	REMARKS
1	AH137604	CONVEYOR	1		X	(28 SLATS)
2	16H1083	RIVET	112		X	5/16" X 5/8", (CONNECTING LINK TO SLAT)
3	H134002	SLAT	28		X	
4	H84026	HOOK	6		X	
5	AH137630	CHAIN LINK	3		X	
6	PIN	3		X	
7	PIN	3		X	
8	AH137631	CHAIN LINK	1		X	
9	AH137631	CHAIN LINK	3		X	
10	14H760	NUT	2		X	5/8"
11	AH126091	ARM	2		X	
12	14M7291	FLANGE NUT	2		X	M16
13	H131087	BUSHING	2		X	16.500 X 25.600 X 17 MM (0.650" X 1.008" X 0.669")
14	24H1368	WASHER	1		X	21/32" X 1-5/16" X 0.090"
15	N5044DN	EYEBOLT	2		X	
16	19M7399	CAP SCREW	2		X	M16 X 85
17	H97322	CAM	2		X	
18	H84942	PLATE	2		X	
19	H139098	BOLT	2		X	M12 X 51.500
20	14M7299	FLANGE NUT	2		X	M12
21	H144201	ADJUSTING STRAP	2		X	
22	H131090	BOLT	2		X	M12 X 50
23	45M7040	PIN	1		X	10 X 60 MM
24	11M7059	COTTER PIN	1		X	3.200 X 20 MM
25	19M7790	SCREW	6		X	M12 X 35
26	12H304	LOCK WASHER	6		X	3/8"
27	JD8551	ECCENTRIC LOCKING COLLAR	2		X	
28	H138753	HOUSING	2		X	
29	JD8552	BALL BEARING	2		X	
30	H123734	SHAFT	1		X	
31	AH142394	DRUM	1		X	(SUB FOR AH133494)
32	W39621	NUT	2		X	M16
33	AH137632	CHAIN LINK	1		X	
	H84026	HOOK	1		X	
34	C10232	LINK	1	-29SE97	X	
	AH158635	CHAIN LINK	1	29SE97-	X	
35	H150528	LABEL	1	660501-	X	"IMPORTANT" (S-PIN LOCATION)

8E22

FEEDER CONVEYOR DRIVE CHAIN, TIGHTENER AND GUIDES

HP5814 -UN-01JAN94



HP5814

8E23

FEEDER HOUSE FRAMES AND SHIELDS

FEEDER CONVEYOR DRIVE CHAIN, TIGHTENER AND GUIDES - CONTINUED

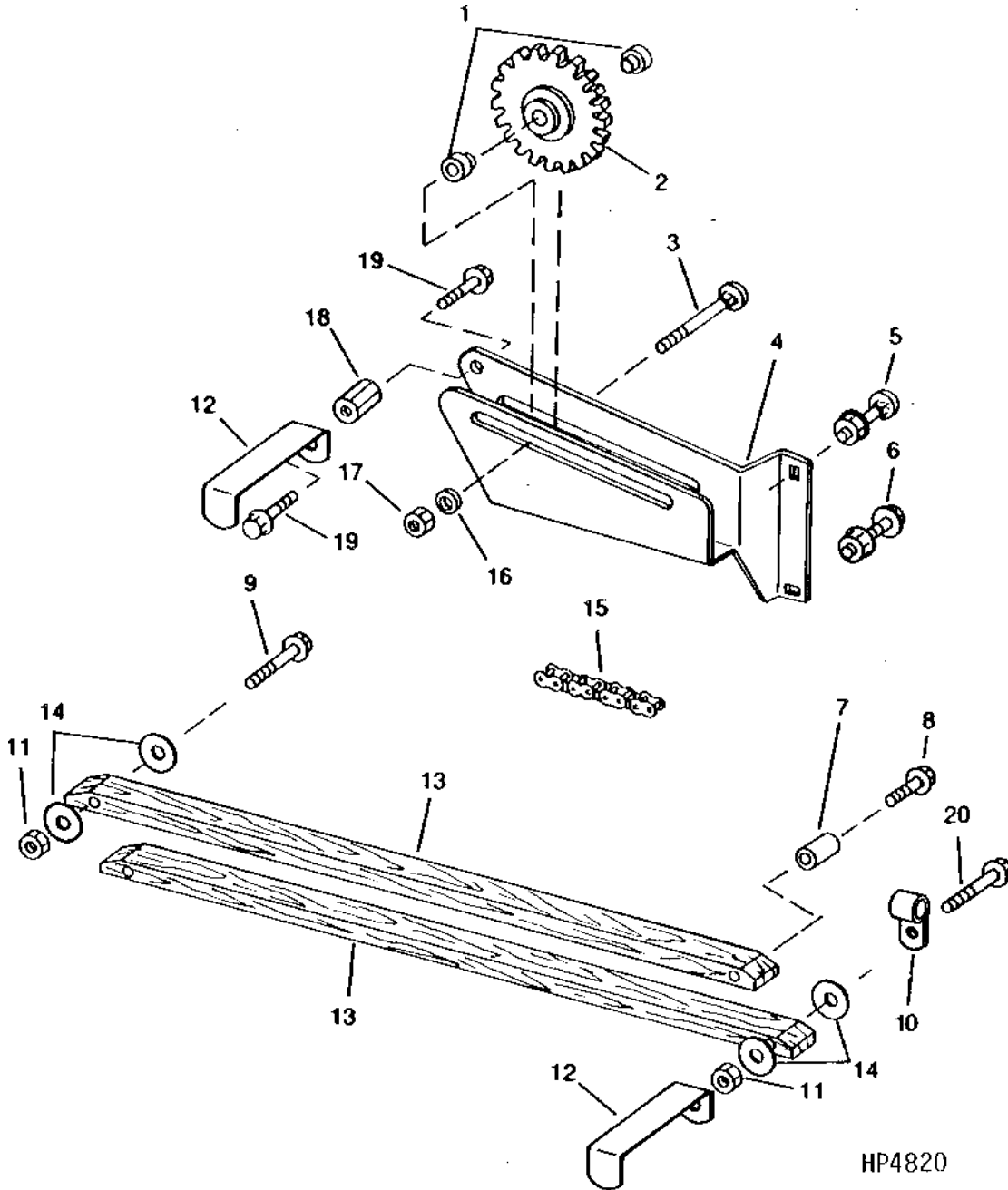
KEY	PART NO.	PART NAME	QTY	SERIAL NO.	S H 9 5 0 0	REMARKS
1	14M7400	LOCK NUT	4		X	M10
2	H130530	GUIDE	2		X	
3	H134735	PLATE	2		X	
4	H134734	BRACKET	2		X	
5	03M7233	BOLT	4		X	M10 X 70
6	AH145029	LINK CHAIN	1		X	ROLLER, TYPE 60, 19 MM (3/4") 220 LINKS (OR ASSEMBLE FROM (4) AB1288H AND AB1289H)
7	H141500	BRACKET	1		X	(SUB FOR H130528)
8	14M7299	FLANGE NUT	3		X	M12
9	19M7785	SCREW	1		X	M10 X 25
10	H130529	SPACER	2		X	12.300 X 15 X 16 MM (0.484" X 0.591" X 0.630")
11	AE27909	CHAIN SPROCKET	1		X	
12	03M7226	BOLT	1		X	M12 X 70
13	03M7197	BOLT	1	-641948	X	M12 X 25
	03M7198	BOLT	1	641949-	X	M12 X 30
14	14M7296	FLANGE NUT	4		X	M10
15	03M7190	BOLT	4		X	M10 X 20
16	24H1226	WASHER	1		X	1/2" X 1-1/4" X 0.083"
17	H143489	BUSHING	1		X	

8E24

FEEDER CONVEYOR DRIVE CHAIN, TIGHTENER AND GUIDES

(SIDEHILL)

HP4820 -UN-01JAN94



8E25

FEEDER HOUSE FRAMES AND SHIELDS

FEEDER CONVEYOR DRIVE CHAIN, TIGHTENER AND GUIDES - CONTINUED (SIDEHILL)

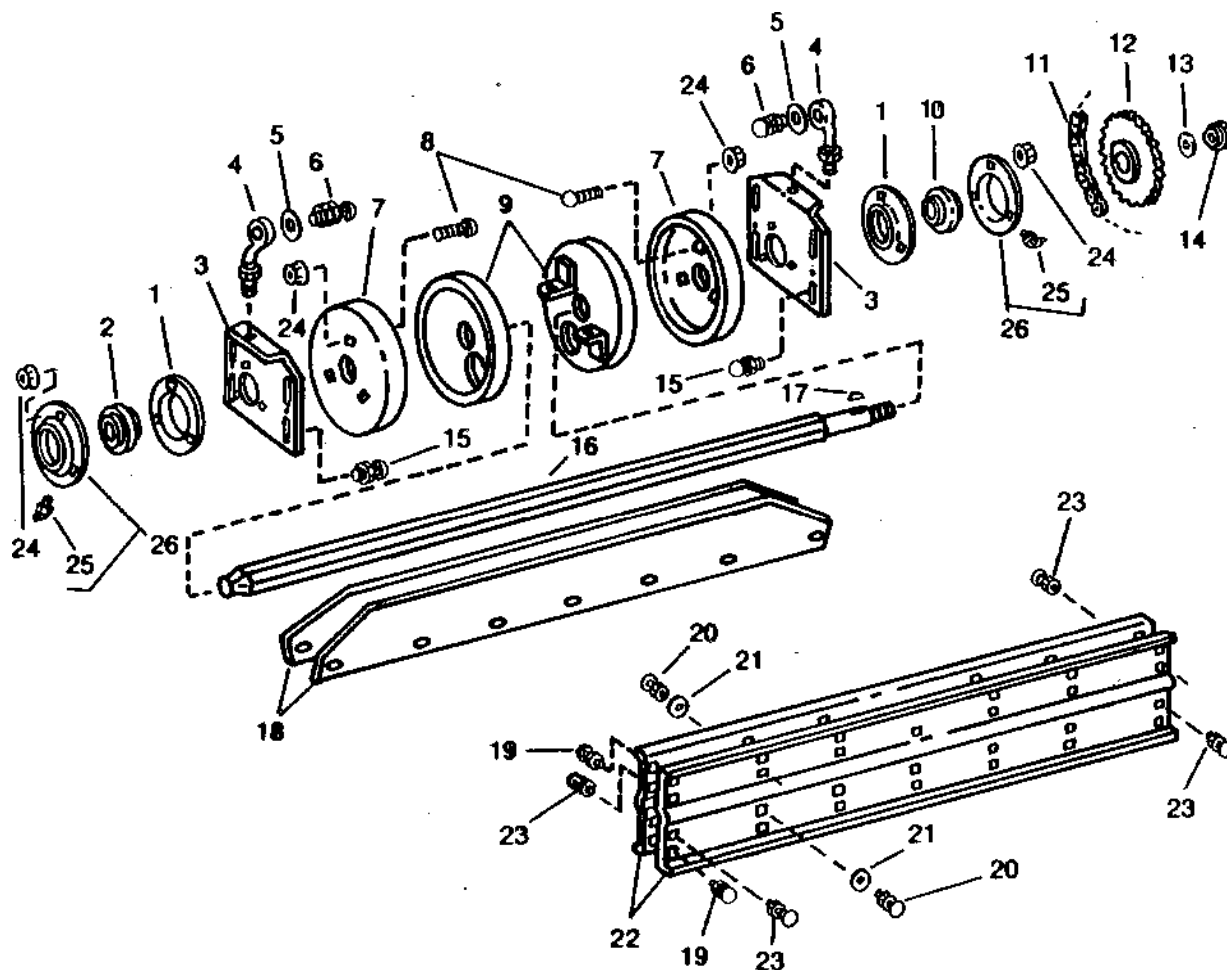
KEY	PART NO.	PART NAME	QTY	SERIAL NO.	S H 9 5 0 0 0 0	REMARKS
1	H130529	SPACER	2		X	12.300 X 15 X 16 MM (0.484" X 0.591" X 0.630")
2	AE27909	CHAIN SPROCKET	1		X	15-TOOTH
3	03M7204	BOLT	1	-672238	X	M12 X 60
	03M7226	BOLT	1	672239-	X	
4	H141500	BRACKET	1		X	
5	03M7198	BOLT	1		X	M12 X 30
	14M7299	FLANGE NUT	1		X	M12
6	19M7789	SCREW	1		X	M12 X 30
	14M7299	FLANGE NUT	1		X	M12
7	28H1497	BUSHING	1		X	12.522 X 17.145 X 38.100 MM (0.493" X 0.675" X 1-1/2")
8	19M7812	SCREW	1		X	M10 X 100
9	19M7809	SCREW	2		X	M10 X 70
10	AH89557	CLIP	1		X	
11	14M7400	LOCK NUT	4		X	M10
12	H145145	BRACKET	2		X	
13	H130530	GUIDE	2		X	
14	H128084	WASHER	4		X	11 X 76.200 X 5 MM (0.433" X 3" X 0.197")
15	ROLLER CHAIN	1		X	ROLLER, TYPE 60, 19 MM (3/4") 229 LINKS (ASSEMBLE FROM (4) AB1288H AND AB1289H.
16	24H1226	WASHER	1		X	1/2" X 1-1/4" X 0.083"
17	14M7299	FLANGE NUT	1		X	M12
18	H143489	BUSHING	1		X	
19	19M7785	SCREW	2		X	M10 X 25
20	19M7810	SCREW	1		X	M10 X 80

8F1

FEEDER HOUSE LOWER SHAFT, PADDLES AND SPROCKET

(SIDEHILL)

HP4868 -UN-01JAN94



HP4868

8F2

FEEDER HOUSE FRAMES AND SHIELDS

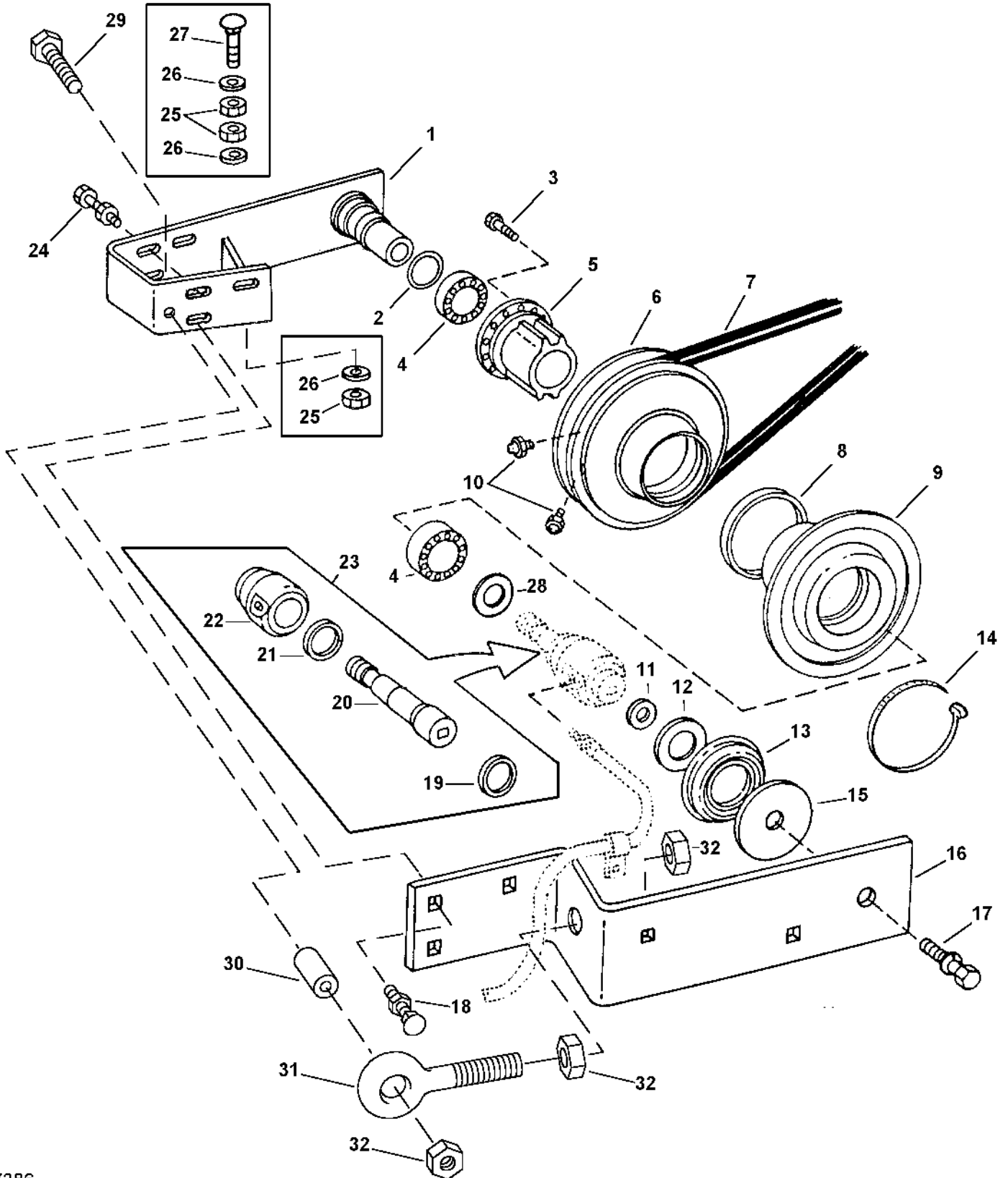
FEEDER HOUSE LOWER SHAFT, PADDLES AND SPROCKET - CONTINUED (SIDEHILL)

KEY	PART NO.	PART NAME	QTY	SERIAL NO.	S H 9 5 0 0 0 0	REMARKS
1	E76584	PRESSED FLANGED HOUSING	2		X	(SUB FOR N34367)
2	JD9407	BALL BEARING	1		X	
3	H145061	BRACKET	1		X	R.H.
	H145062	BRACKET	1		X	L.H.
4	H116065	EYEBOLT	2		X	
	14M7299	FLANGE NUT	2		X	M12
5	24M7047	WASHER	2		X	13 X 24 X 2.500 MM
6	03M7200	BOLT	2		X	M12 X 40
	14M7299	FLANGE NUT	2		X	M12
7	H88069	SHIELD	2		X	
8	03M7193	BOLT	6		X	M10 X 35
9	AH89427	DEFLECTOR	2		X	
10	JD10007	BALL BEARING	1		X	
11	LINK CHAIN	1		X	ROLLER, TYPE 60, 19 MM (3/4") PITCH, 54 LINKS, (ASSEMBLE FROM (2) AP6093H, (2) P30350, (2) P20351 AND P20352
12	AH135613	DRIVE SPROCKET	1		X	26 TOOTH
13	24M7242	WASHER	1		X	21.400 X 42 X 5 MM
14	A31870	LOCK NUT	1		X	M20, (SUB FOR 14M7340)
15	03M7185	BOLT	8	-656666	X	M8 X 25
	03M7183	BOLT	8	656667-	X	M8 X 16
	14M7298	FLANGE NUT	8		X	M8
16	H141236	SHAFT	1		X	
17	26H31	SHAFT KEY	1		X	5/16" X 1-1/4"
18	H146237	PADDLE	2		X	THICK RUBBER SIDE TO FACE INCOMING CROP
19	03M7193	BOLT	18	-661679	X	M10 X 35
	03M7194	BOLT	18	661680-	X	M10 X 40
	14M7400	LOCK NUT	18		X	M10
20	03M7194	BOLT	18		X	M10 X 40
	14M7400	LOCK NUT	18		X	M10
21	24H1311	WASHER	18		X	13/32" X 1-1/4" X 0.220"
22	AH140105	PADDLE	2		X	
23	03M7194	BOLT	4		X	M10 X 40
	14M7400	LOCK NUT	4		X	M10
24	14M7296	FLANGE NUT	12		X	M10, (3 TO GO BETWEEN EACH DEFLECTOR AND HOLDER)
25	JD7788	LUBRICATION FITTING	2		X	45 DEGREES
26	AE46699	PRESSED FLANGED HOUSING	2		X	(SUB FOR AN50684)

8F3

VARIABLE DRIVE UPPER COUNTERSHAFT, SHEAVES AND SUPPORTS

HP7386 -UN-24JAN98



HP7386

8F4

FEEDER HOUSE FRAMES AND SHIELDS

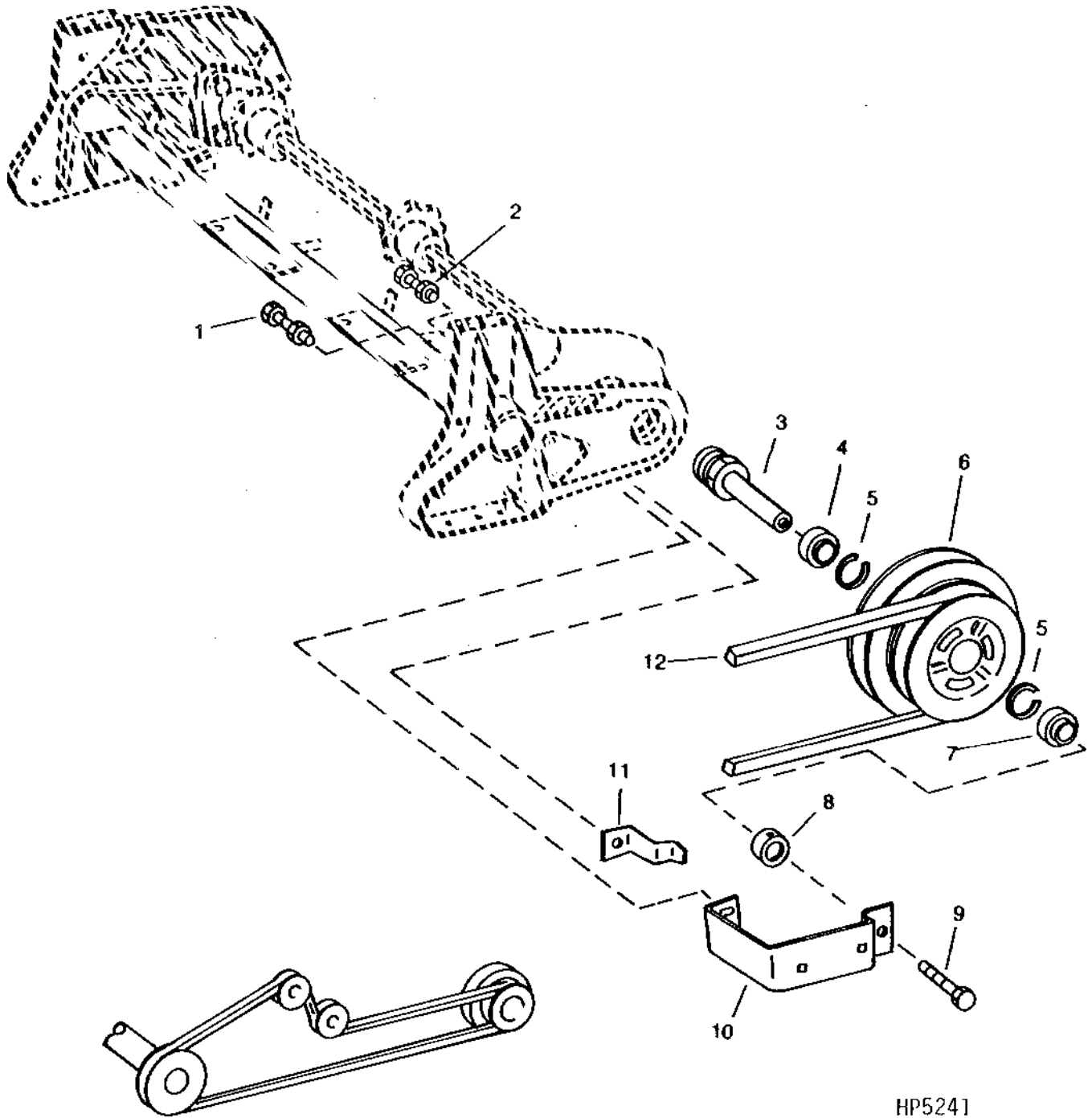
VARIABLE DRIVE UPPER COUNTERSHAFT, SHEAVES AND SUPPORTS - CONTINUED

KEY	PART NO.	PART NAME	QTY	SERIAL NO.	S H 9 5 0 0	REMARKS
1	AH120972	SUPPORT	1		X X	
2	R31378	O-RING	1		X X	44.044 X 3.531 MM (1-47/64" X 0.139")
3	19M7868	SCREW	6		X X	M8 X 30
4	JD10018	BEARING	2		X X	
5	H97378	HUB	1		X X	INNER
6	AH157934	SHEAVE	1		X X	360 MM (14-15/64") DIA. (SUB FOR H125489)
7	H125565	BELT	1	-640200	X	
	H140160	BELT	1	640201-	X X	
8	AH136497	SEAL	1		X X	(SUB FOR AH94854)
9	H125490	SHEAVE	1		X X	318 MM (12-35/64") DIA.
10	JD7759	LUBRICATION FITTING	2		X X	STRAIGHT, 1/8"
11	24H1342	WASHER	AR		X X	17/32" X 1-1/4" X 0.036", STRAIGHT, 1/4"
12	H101448	WASHER	AR		X X	38.500 X 60 X 0.800 MM (1.516" X 2.362" X 0.031") (SPECIAL)
13	H93084	BOOT	1		X X	
14	H77698	TIE BAND	1		X X	SELF-LOCKING
15	H98409	WASHER	1		X X	13 X 90 X 1.200 MM (0.512" X 3.543" X 0.047")
16	H134087	STRAP	1		X X	
17	19H1777	CAP SCREW	1		X X	1/2" X 1-3/4"
	12H301	LOCK WASHER	1		X X	1/2"
18	03M7192	BOLT	3		X X	M10 X 30
	14M7296	FLANGE NUT	3		X X	M10
19	H100247	SEAL	1		X X	
20	H100244	PISTON	1		X X	
21	H100246	SEAL	1		X X	
22	H100245	HYDRAULIC CYLINDER BARREL	1		X X	
23	AH96091	CYLINDER	1		X X	
24	19M7790	SCREW	3		X X	M12 X 35
	14M7299	FLANGE NUT	3		X X	M12
25	14H821	NUT	3	-635100	X	5/8"
26	24M7053	WASHER	3	-635200	X	17 X 30 X 3 MM
27	03H2308	BOLT	1	-635300	X	5/8" X 3-1/4"
28	24H1452	WASHER	1		X X	1-1/32" X 1-3/4" X 0.105"
29	19M7892	CAP SCREW	1	5JAN98-	X	M20 X 80
30	H162288	BUSHING	1	5JAN98-	X	
31	H162269	EYEBOLT	1	5JAN98-	X	
32	14M7277	NUT	1	5JAN98-	X	M20

8F5

UPPER DRIVE SHAFT, SHEAVE AND MOUNTINGS (FIXED SPEED WITH REVERSER)

HP5241 -UN-01JAN94



HP5241

8F6

FEEDER HOUSE FRAMES AND SHIELDS

UPPER DRIVE SHAFT, SHEAVE AND MOUNTINGS - CONTINUED
(FIXED SPEED WITH REVERSER)

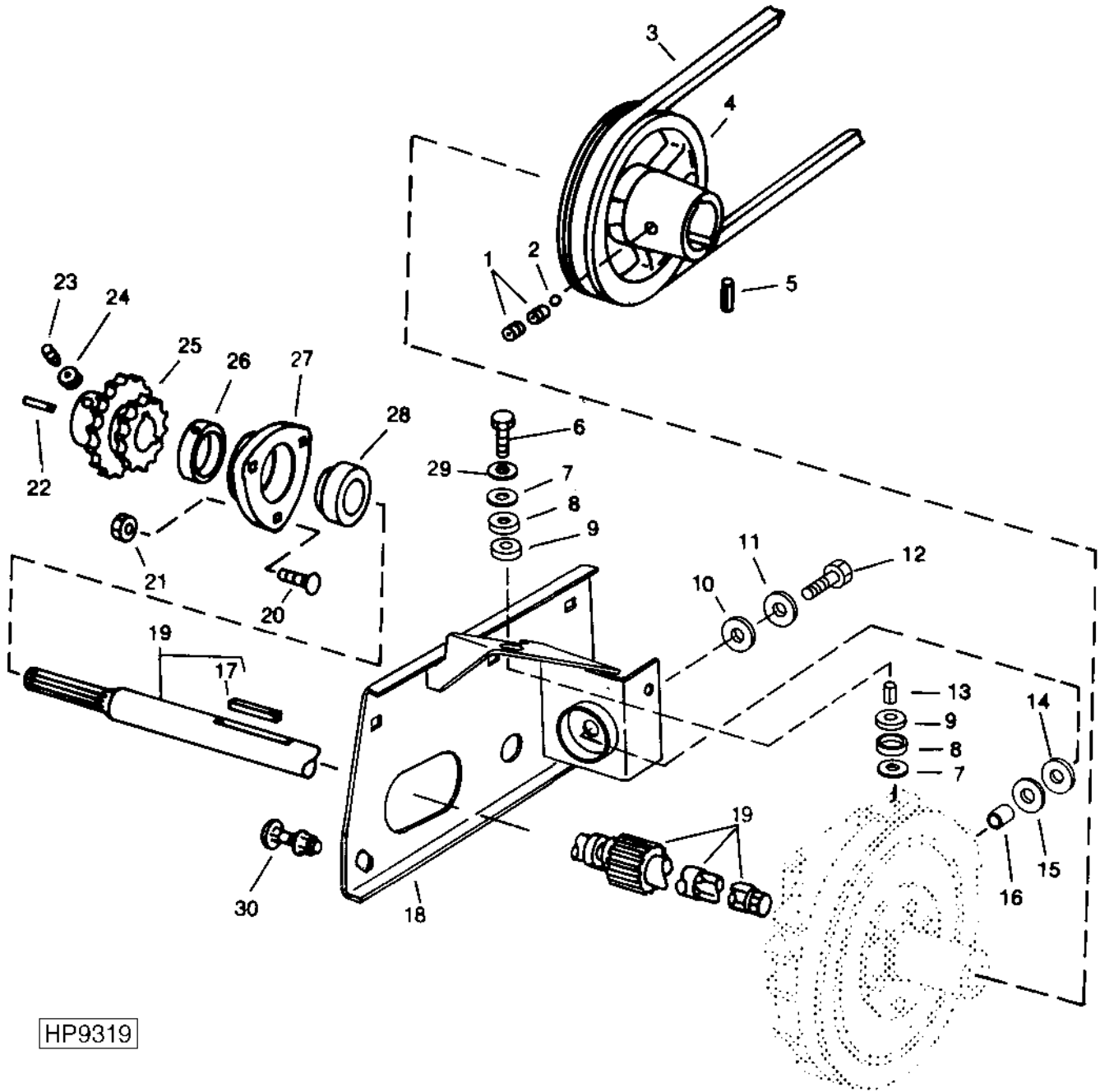
KEY	PART NO.	PART NAME	QTY	SERIAL NO.	S H 9 5 0 0 0 0	REMARKS
1	19M7790	SCREW	1	X		M12 X 35
	14M7299	FLANGE NUT	1	X		M12
2	19M7789	SCREW	1	X		M12 X 30
	14M7299	FLANGE NUT	1	X		M12
3	AH125454	SHAFT	1	X		
4	JD9301	BALL BEARING	1	X		
5	P46874	SNAP RING	1	X		
6	H126261	SHEAVE	1	X		
7	JD9356	BALL BEARING	1	X		
8	JD8576	ECCENTRIC LOCKING COLLAR	1	X		
9	19M7790	SCREW	1	X		M12 X 35
10	H134088	STRAP	1	X		
11	H126302	SCRAPER	1	X		
12	H126345	BELT	1	X		

8F7

FEEDER HOUSE FRAMES AND SHIELDS

FRONT DRIVE SHAFT, SHEAVE AND MOUNTINGS (FIXED SPEED WITH REVERSER)

HP9319 -UN-18NOV99



HP9319

8F8

FEEDER HOUSE FRAMES AND SHIELDS

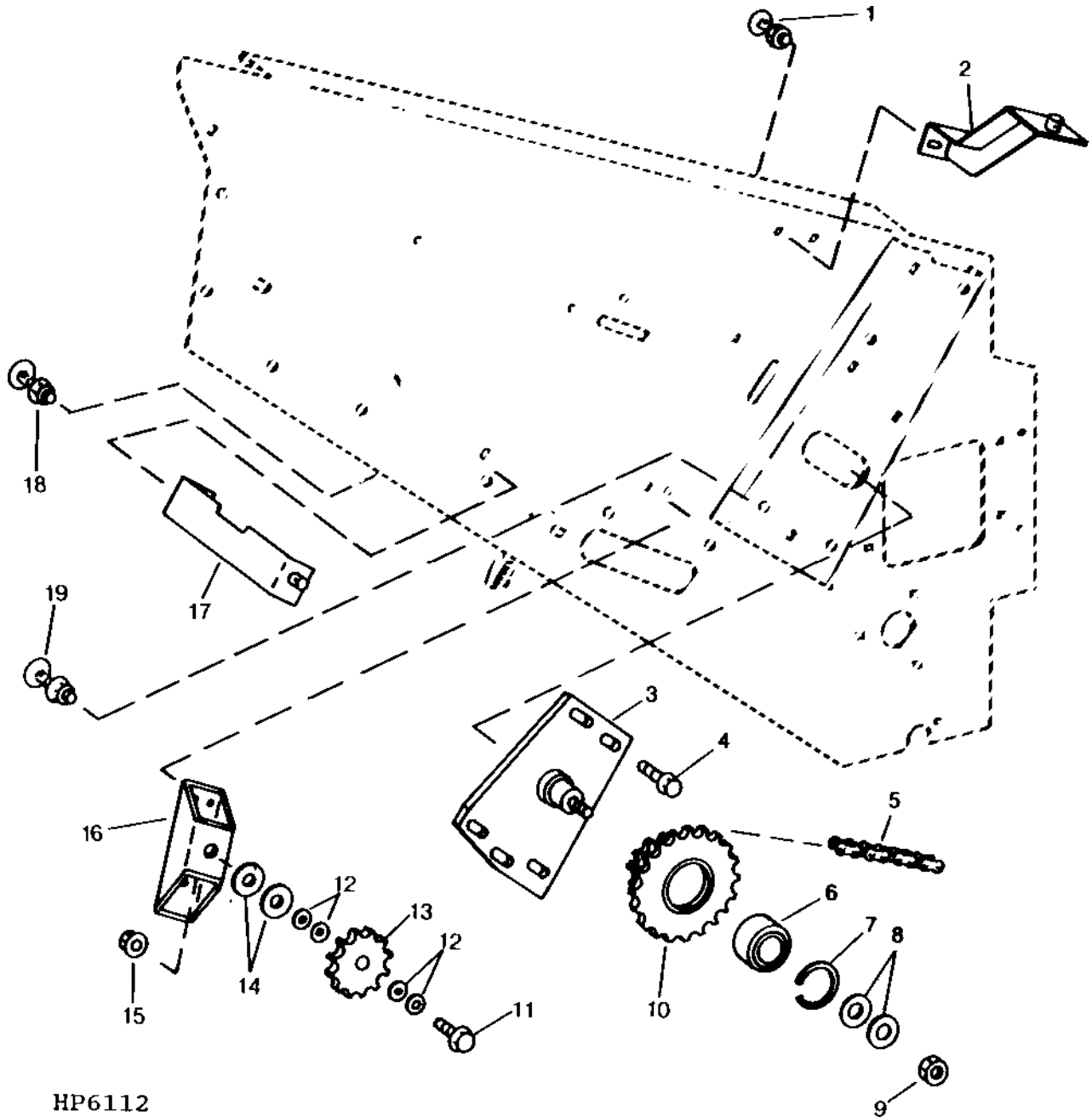
FRONT DRIVE SHAFT, SHEAVE AND MOUNTINGS - CONTINUED (FIXED SPEED WITH REVERSER)

KEY	PART NO.	PART NAME	QTY	SERIAL NO.	S H 9 5 0 0 0 0	REMARKS
1	22H775	SET SCREW	2		X	5/16" X 1/4"
2	H110922	BALL	1		X	
3	H126345	BELT	1		X	
4	H108889	SHEAVE	1		X	
5	34H305	SPRING PIN	1		X	5.563 X 50.800 MM (7/32" X 2")
6	19H1863	CAP SCREW	1		X	5/8" X 3"
7	P50456	WASHER	2		X	16.301 X 76.200 X 4.500 MM (0.642" X 3" X 0.177")
8	H148132	BUSHING	2		X	(SUB FOR H80197)
9	H148133	RETAINER	2		X	(SUB FOR H78856)
10	T55761	SUPPORT	1		X	
11	R20136	WASHER	1		X	19.837 X 69.850 X 6.350 MM (25/32" X 2-3/4" X 1/4")
12	19H1950	CAP SCREW	1		X	5/8" X 3-3/4"
13	H148134	SPACER	1		X	(SUB FOR H85482)
14	R62502	SUPPORT	1		X	
15	H97410	WASHER	1		X	
16	H95417	SPACER	1		X	
17	KEY	1		X	(SUB AH97642)
18	AH144099	SUPPORT	1		X	(SUB FOR AH130175 OR AH139919)
19	AH97642	SHAFT	1		X	
	AH136873	SHAFT	1	-31JA00	X	CONTOUR MASTER
	AH152937	SHAFT	1		X	CONTOUR MASTER (USE WITH AH149349 (DRIVE SPROCKET) AND H170634 (TONE WHEEL))
20	03M7192	BOLT	3		X	M10 X 30
21	14M7296	FLANGE NUT	3		X	
22	M73000	SHAFT KEY	1		X	
23	H138435	SET SCREW	2		X	M10 X 25
24	14M7274	NUT	2		X	M10
25	AH125782	CHAIN SPROCKET	1		X	
	AH149349	DRIVE SPROCKET	1		X	USE WITH AH153341 (GEARBOX) AND H170634 (TONE WHEEL)
26	JD9201	ECCENTRIC LOCKING COLLAR	1		X	
27	H93927	HOUSING	1		X	
28	JD9202	BALL BEARING	1		X	
29	24M7241	WASHER	1	641654-	X	17 X 34 X 4 MM
30	03M7191	BOLT	5		X	M10 X 25
	14M7296	FLANGE NUT	5		X	M10

8F9

DRIVE CHAIN IDLERS AND SHIELD BRACKETS (SIDEHILL)

HP6112 -UN-27JUN95



HP6112

8F10

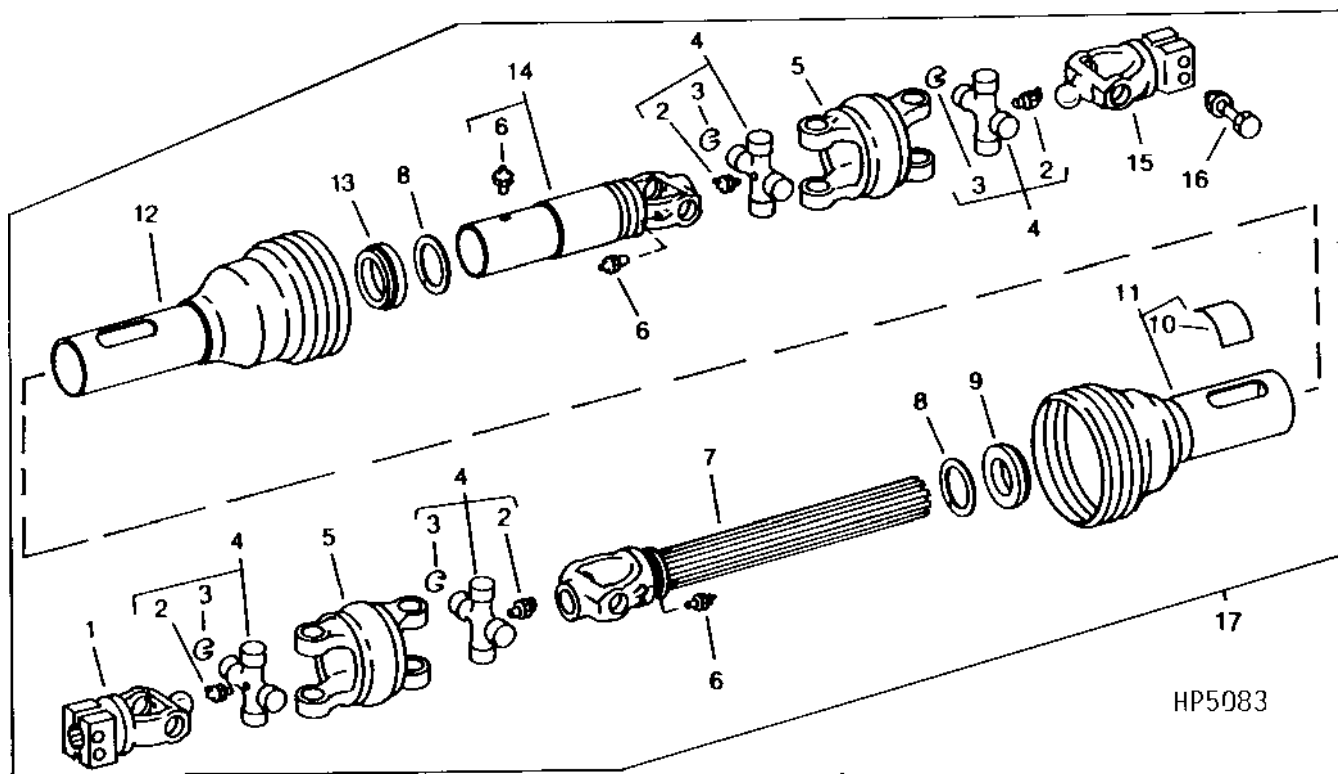
FEEDER HOUSE FRAMES AND SHIELDS

DRIVE CHAIN IDLERS AND SHIELD BRACKETS - CONTINUED (SIDEHILL)

KEY	PART NO.	PART NAME	QTY	SERIAL NO.	S H 9 5 0 0 0	REMARKS
1	03M7192	BOLT	2		X	M10 X 30
	14M7296	FLANGE NUT	2		X	M10
2	AH139174	BRACKET	1		X	SHIELD
3	AH139868	SHAFT	1		X	
4	19M7789	SCREW	2		X	M12 X 30
5	AH135694	LINK CHAIN	1		X	54 LINKS
6	AH109788	ROLLER BEARING	1		X	
7	40M7090	SNAP RING	1		X	
8	24H1236	WASHER	2		X	20.625 X 50.800 X 3.785 MM (13/16" X 2" X 0.149")
9	A31870	LOCK NUT	1		X	M20
10	AH135611	DRIVE SPROCKET	1		X	INCLUDES KEY 5, 19 TOOTH/29 TOOTH
11	19M7824	SCREW	1		X	M16 X 60
12	24H1364	WASHER	4		X	21/32" X 15/16" X 0.036"
13	AE27909	CHAIN SPROCKET	1		X	15-TOOTH
14	N72306	WASHER	2		X	
15	14M7291	FLANGE NUT	1		X	M16
16	H145349	SUPPORT	1		X	
17	AH139175	RETAINER	1		X	
18	03M7190	BOLT	2		X	M10 X 20
	14M7296	FLANGE NUT	2		X	M10
19	03M7184	BOLT	3		X	M8 X 20
	14M7298	FLANGE NUT	3		X	M8

8F11

HEADER DRIVE SHAFT - SIDEHILL - (645301-)
(FOR ALL HEADERS EXCEPT 444 CORN HEAD AND 914 BPU)
HP5083 -UN-01JAN94



HP5083

8F12

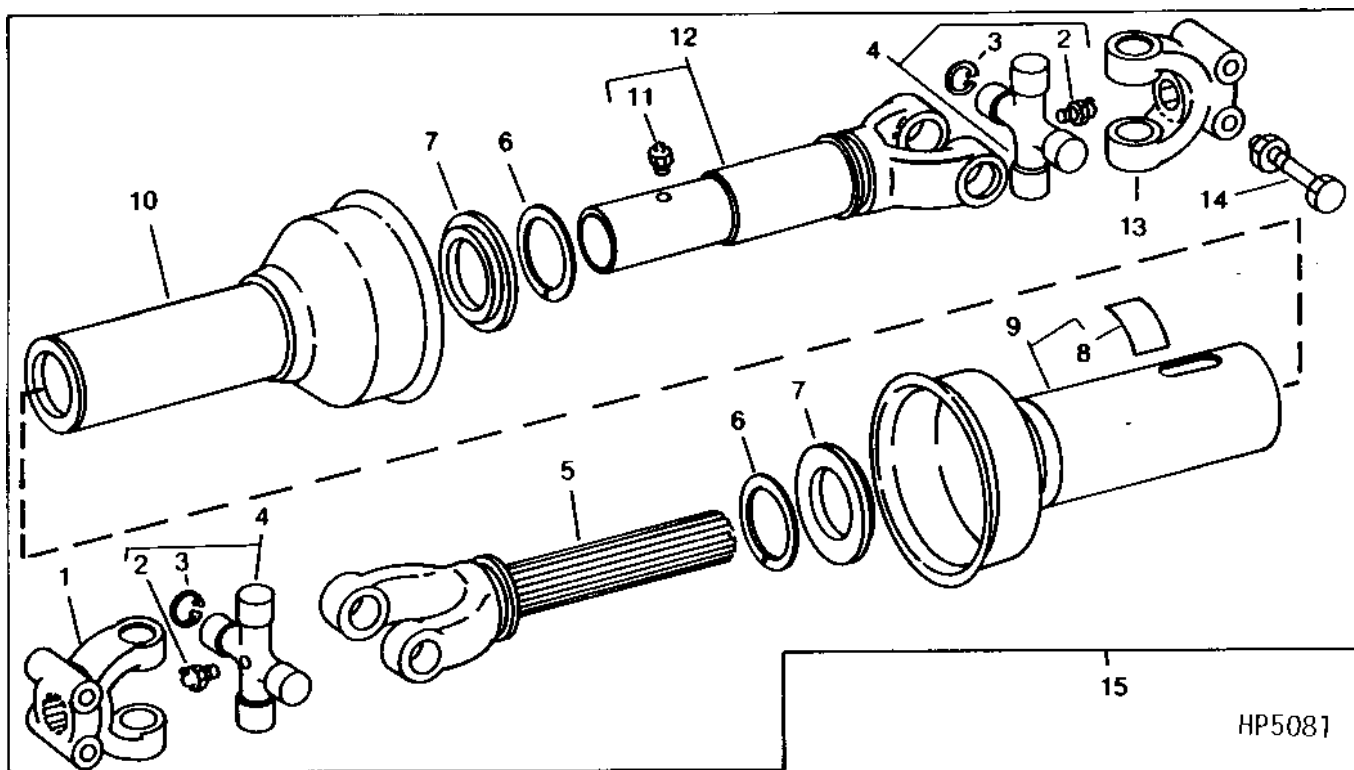
FEEDER HOUSE FRAMES AND SHIELDS

HEADER DRIVE SHAFT - SIDEHILL - CONTINUED
(FOR ALL HEADERS EXCEPT 444 CORN HEAD AND 914 BPU)

KEY	PART NO.	PART NAME	QTY	SERIAL NO.	S H 9 9 5 5 0 0 0 0	REMARKS
1	AH141236	UNIVERSAL JOINT YOKE	1		X	
2	JD7760	LUBRICATION FITTING	1		X	
3	BP12946	SNAP RING	1		X	
4	AE23516	CROSS AND BEARING ASSEMBLY	4		X	
5	AH141237	UNIVERSAL JOINT YOKE	2		X	
6	JD7842	LUBRICATION FITTING	3		X	
7	AH141238	YOKE, WITH SHAFT	2		X	
8	SNAP RING	2		X	(ORDER AH143512)
9	H147467	PTO SHIELD RETAINER	1		X	
10	DECAL	1		X	
11	AH141239	POWERSHAFT SHIELD	1		X	
12	AH141241	POWERSHAFT SHIELD	1		X	
13	BALL BEARING	1		X	(ORDER AH143512)
14	AH141240	YOKE, WITH TUBE	1		X	
15	AH141242	UNIVERSAL JOINT YOKE	1		X	
16	19M7817	SCREW	4		X	M12 X 70
	14M7401	LOCK NUT	4		X	M12
17	AH141138	UNIVERSAL DRIVESHAFT	2		X	COMPLETE
..	AH143512	KIT	1		X	

8F13

HEADER DRIVE SHAFT - SIDEHILL - (645301-)
(FOR 444, 494 CORN HEAD AND 914 BPU)
HP5081 -UN-01JAN94



8F14

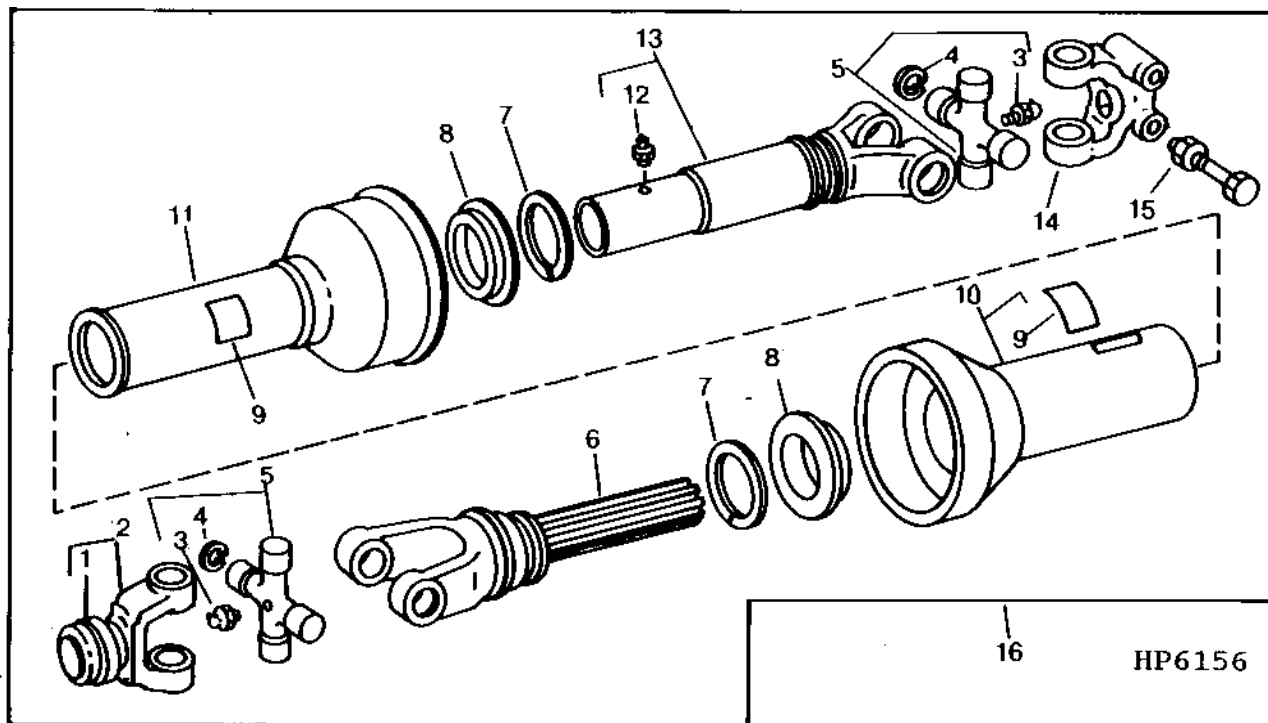
FEEDER HOUSE FRAMES AND SHIELDS

HEADER DRIVE SHAFT - SIDEHILL - (645301-)- CONTINUED
 (FOR 444, 494 CORN HEAD AND 914 BPU)

KEY	PART NO.	PART NAME	QTY	SERIAL NO.	S H 9 5 0 0 0	REMARKS
1	AH141243	UNIVERSAL JOINT YOKE	1	-24NO97	X	SPLINE BORE
	H164775	UNIVERSAL JOINT YOKE	1	24NO97-	X	SPLINE BORE
2	JD7760	LUBRICATION FITTING	2		X	
3	BP12946	SNAP RING	2		X	
4	AE23516	CROSS AND BEARING ASSEMBLY	2		X	
5	AH141244	YOKE, WITH SHAFT	1		X	
6	BEARING	2		X	(SUB AH143512)
7	SNAP RING	2		X	(SUB AH143512)
8	H147485	LABEL	1		X	
9	AH141245	POWERSHAFT SHIELD	1		X	
10	AH141247	POWERSHAFT SHIELD	1		X	
11	JD7842	LUBRICATION FITTING	1		X	
12	AH141246	YOKE, WITH TUBE	1		X	
13	H164774	YOKE	1		X	(SUB FOR AH141248) HEX BORE
14	19M7817	SCREW	4		X	M12 X 70
	14M7401	LOCK NUT	4		X	M12
15	AH141139	UNIVERSAL DRIVESHAFT	1		X	COMPLETE (R.H. SIDE ONLY)
..	AH143512	KIT	2		X	
..	BH79709	COMPLETE GOODS/SHIP. BUNDLE	1		X	494 GRAINHEAD CONVERSION

8F15

CONTOUR MASTER DRIVESHAFT
(FOR ALL HEADERS EXCEPT 444 CORNHEAD, 914 BPU)
(660201-)
HP6156 -UN-01SEP95



8F16

FEEDER HOUSE FRAMES AND SHIELDS

CONTOUR MASTER DRIVESHAFT - CONTINUED
 (FOR ALL HEADERS EXCEPT 444 CORNHEAD, 914 BPU)
 (660201-)

KEY	PART NO.	PART NAME	QTY	SERIAL NO.	S H 9 5 0 0 0 0	REMARKS
1	AE49773	KIT	1		X	SLIDE LOCK
2	AH144523	UNIVERSAL JOINT YOKE	1		X	
3	JD7760	LUBRICATION FITTING	2		X	65° X 21.336 MM LONG (0.840" LONG)
4	BP12946	SNAP RING	4		X	
5	AE23516	CROSS AND BEARING ASSEMBLY	2		X	
6	AH145203	YOKE, WITH SHAFT	1		X	
7	AH143512	KIT	2		X	NYLON BEARING
8	BEARING	1		X	(SUB AH143512)
9	DECAL	2		X	(SUB E82514) "DANGER"
10	AH145204	POWERSHAFT SHIELD	1		X	OUTER
11	AH145206	POWERSHAFT SHIELD	1		X	INNER
12	JD7842	LUBRICATION FITTING	1		X	
13	AH145205	YOKE, WITH TUBE	1		X	
14	AH141248	UNIVERSAL JOINT YOKE	1		X	
	14M7401	LOCK NUT	2		X	M12
15	19M7818	SCREW	2		X	M12 X 80
16	AH155077	UNIVERSAL DRIVESHAFT	1		X	(SUB FOR AH141283 OR AH154737)

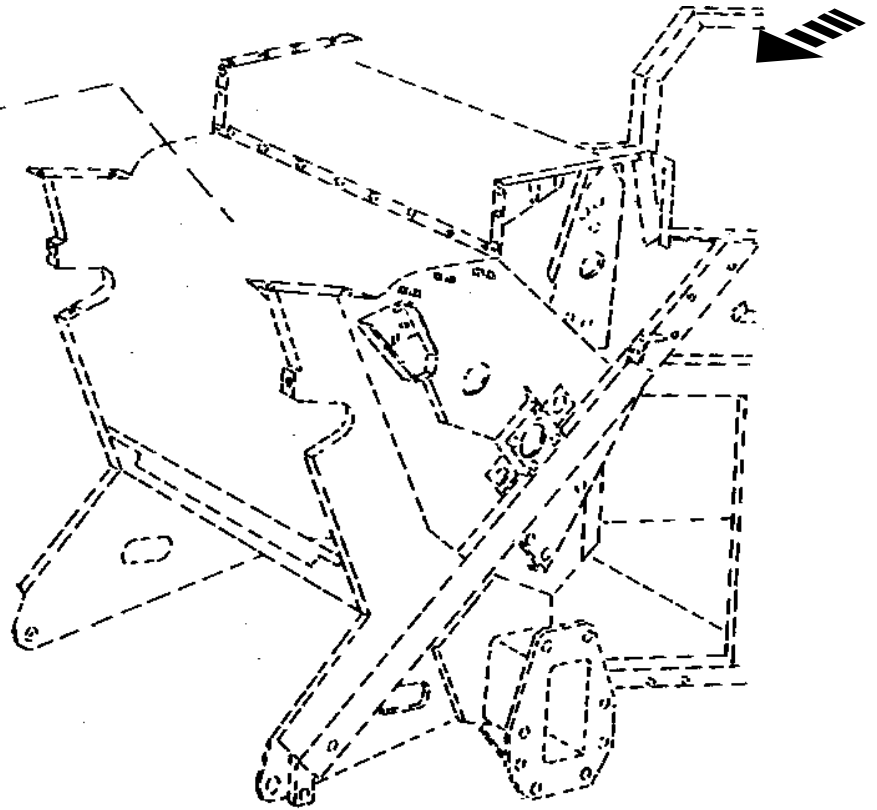
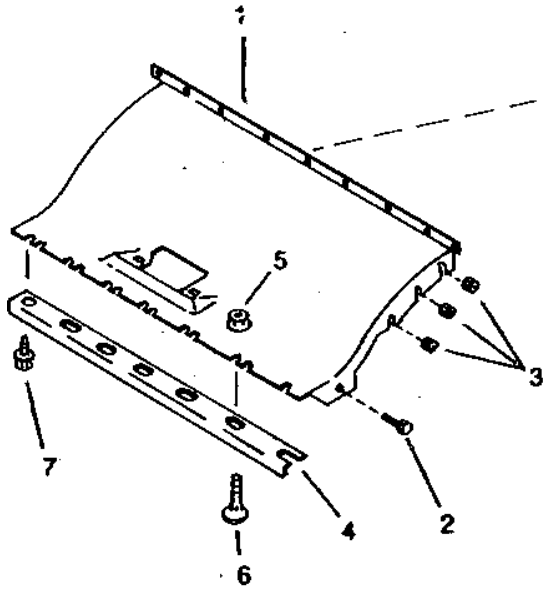
MEMORANDA

8F20

THRESHING AND SEPARATION

THRESHING CYLINDER COVER

HP5192 -UN-01JAN94



HP5192

S
H
9 9
5 5
0 0
0 0

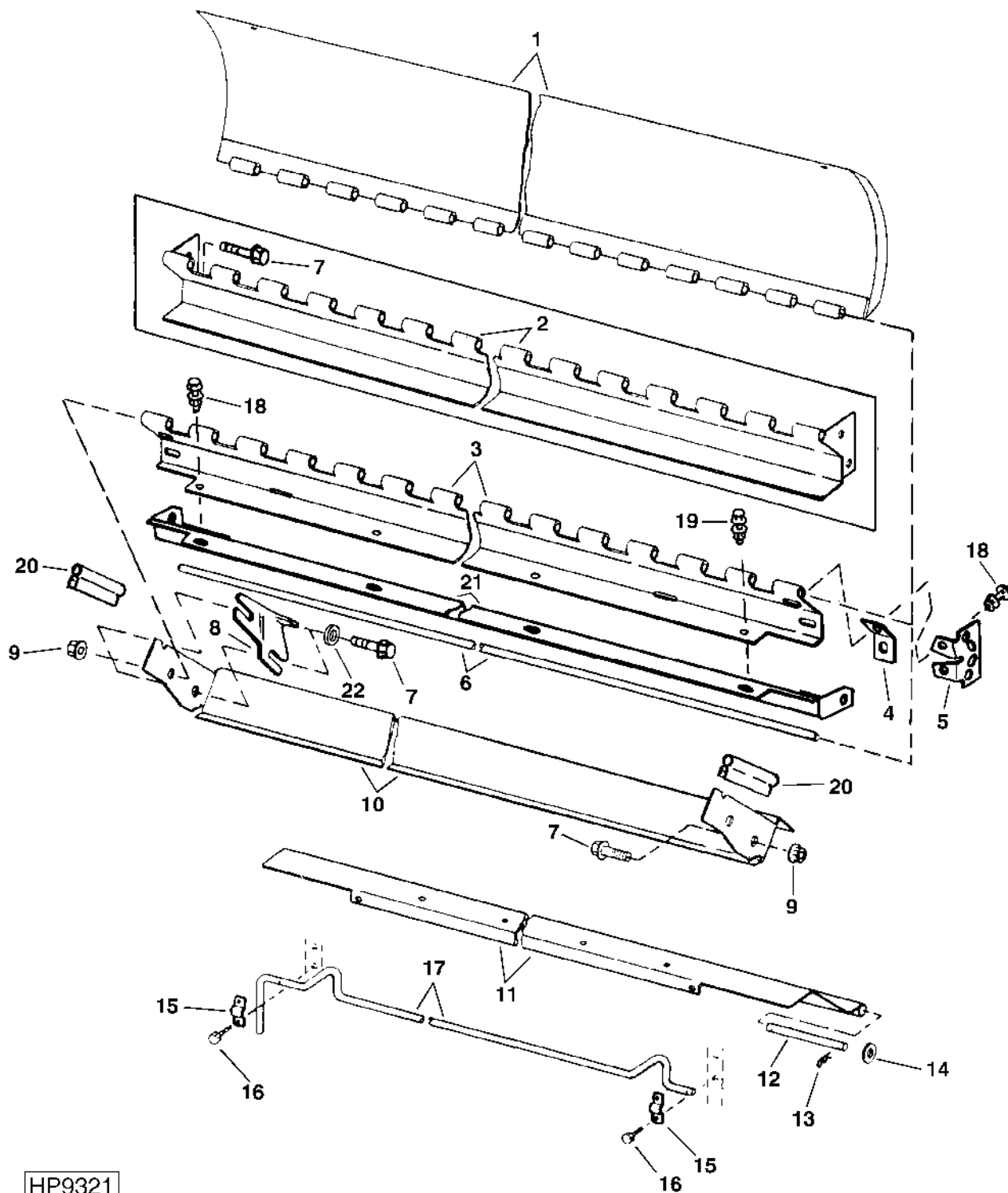
KEY	PART NO.	PART NAME	QTY	SERIAL NO.	REMARKS
1	H133145	COVER	1	-640200	X
	AH139445	COVER	1	640201-650200	X X (SUB FOR AH137235)
	H147845	COVER	1	650201-	X X
2	19M7785	SCREW	2		X X M10 X 25
3	14M7296	FLANGE NUT	8		X X M10
4	H134168	SEAL	1		X FOR CORN ONLY
5	14M7298	FLANGE NUT	6		X X M8
6	03M7184	BOLT	6	-650200	X X M8 X 20
	19M7866	SCREW	6	650201-661185	X X M8 X 20
	03M7185	BOLT	2	661186-	X X
7	37M7092	SCREW	1		X X M8 X 16

8F21

THRESHING AND SEPARATION

SEPARATOR / FEEDER HOUSE SEAL, STONE TRAP AND DOOR

HP9321 -UN-19NOV99



HP9321

8F22

THRESHING AND SEPARATION

SEPARATOR / FEEDER HOUSE SEAL, STONE TRAP AND DOOR - CONTINUED

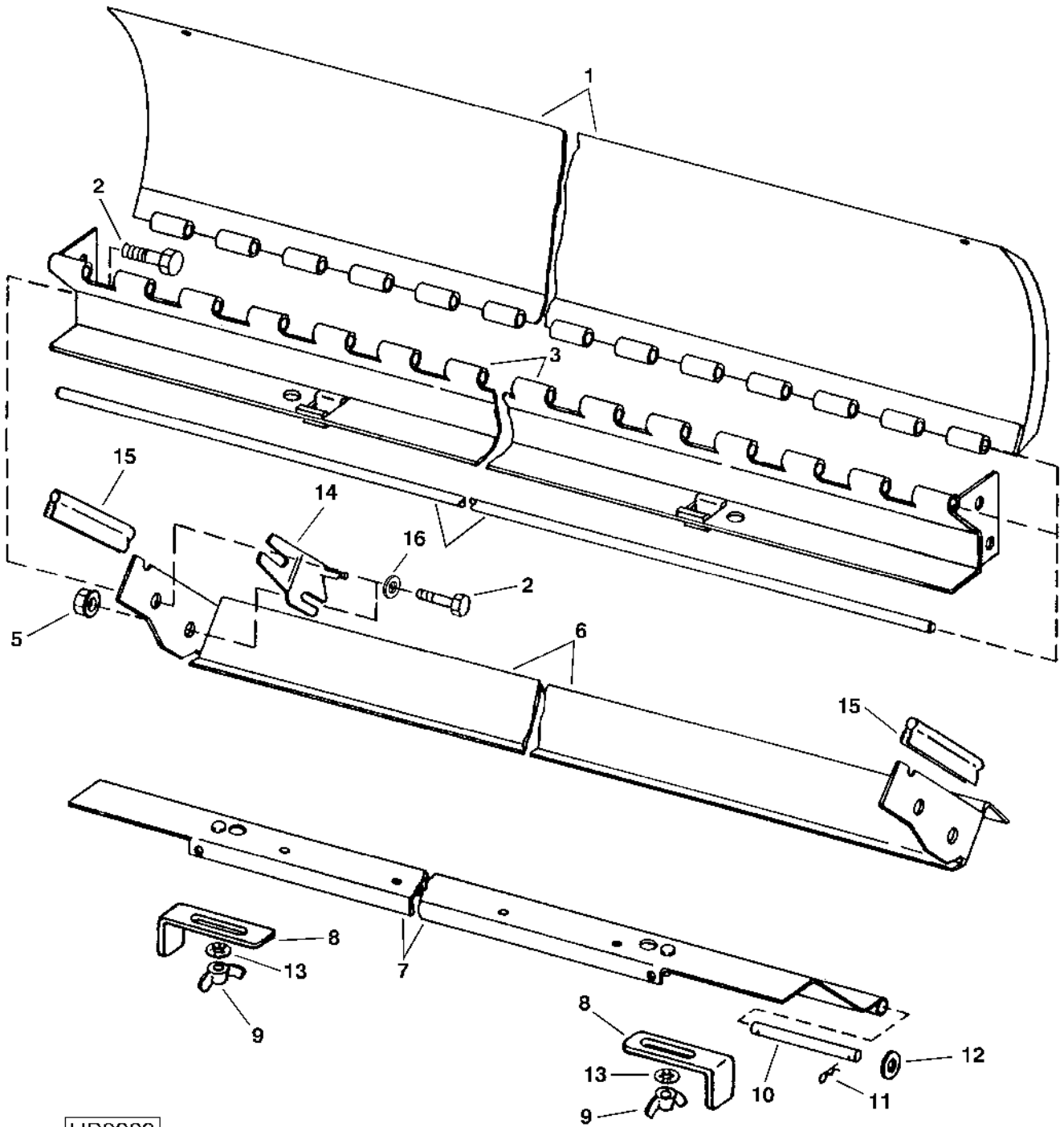
KEY	PART NO.	PART NAME	QTY	SERIAL NO.	S H 9 5 0 0	REMARKS
1	AH120502	PLATE	1		X	
2	AH139313	HINGE	1		X	(SUB FOR AH130940) (SUB (2) H148018 AND (2) H148019 AND H148021)
3	H148021	HINGE	1	650201-	X	
4	H148019	REINFORCEMENT	2	650201-	X	
5	H148018	SUPPORT	2	650201-	X	
6	H117953	PIN	1		X	MAKE FROM H130057 - CUT TO 1385 MM
7	19M7812	SCREW	6		X	M10 X 100
8	H146730	STOP	1		X	(SUB FOR H139338 OR H144801) CASTING
9	14M7296	FLANGE NUT	6		X	M10
10	H134853	DEFLECTOR	1	-656417	X	
	H151067	DEFLECTOR	1	656418-	X	
11	H134335	DOOR	1		X	
12	H148925	PIN	2		X	(SUB FOR H118068)
13	11M7030	COTTER PIN	4		X	5 X 40 MM
14	24M7051	WASHER	2		X	21 X 37 X 3 MM
15	H134339	BRACKET	2		X	
16	37M7080	SCREW	4		X	M10 X 30
17	H134338	ROD	1		X	
18	03M7191	BOLT	4	650201-	X	M10 X 25
	14M7296	FLANGE NUT	4	650201-	X	M10
19	19M7866	SCREW	4		X	M8 X 20
	14M7298	FLANGE NUT	4		X	M8
20	H151068	SHIELD	2	656418-	X	
21	H148023	ANGLE	1	650201-	X	(FIELD CONVERSION ONLY)
22	24M7178	WASHER	2	29SE97-	X	10.500 X 30 X 2.500 MM

8F23

THRESHING AND SEPARATION

SEPARATOR / FEEDER HOUSE SEAL, STONE TRAP AND DOOR
(SIDEHILL)

HP9322 -UN-19NOV99



HP9322

8F24

THRESHING AND SEPARATION

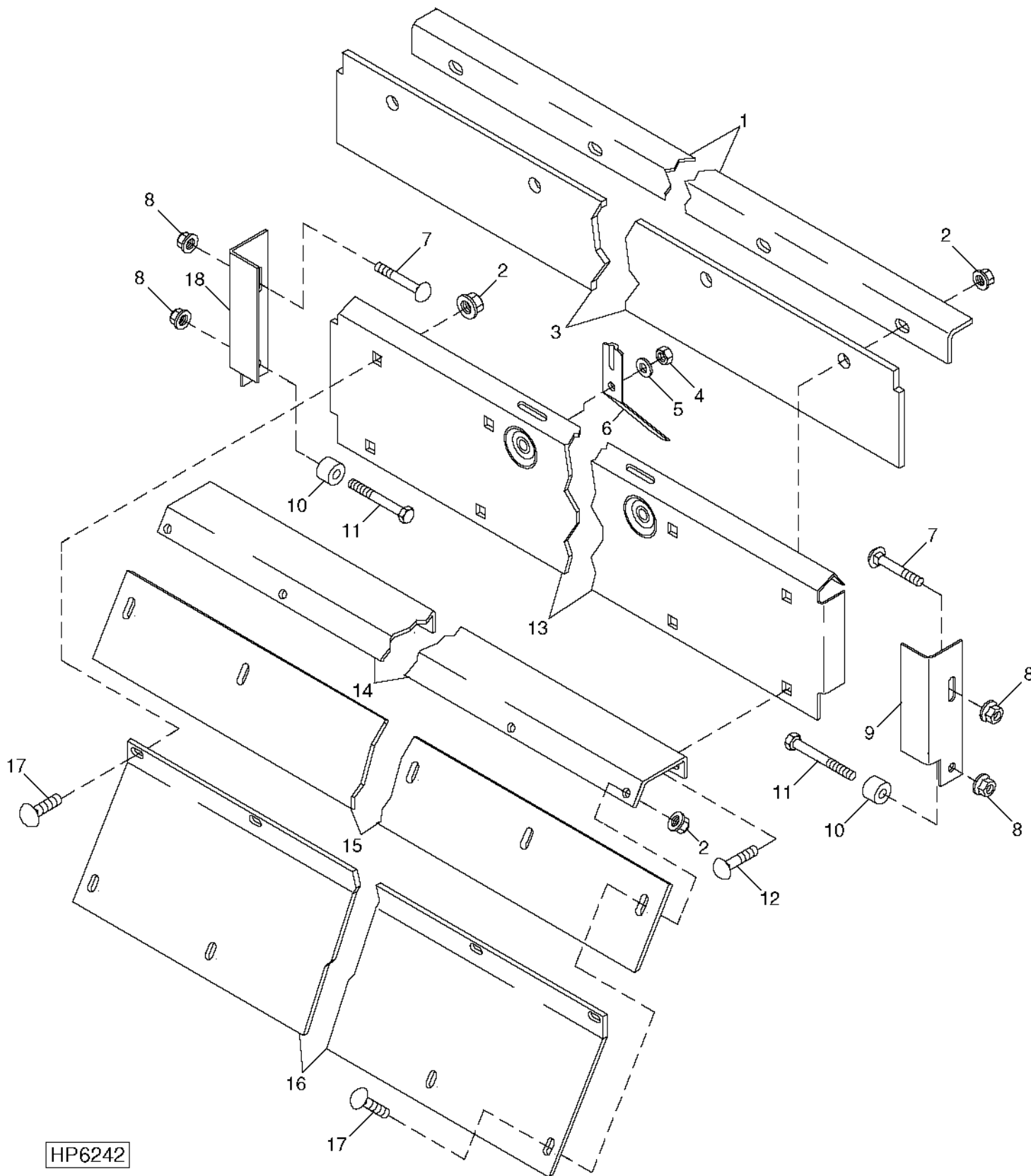
SEPARATOR / FEEDER HOUSE SEAL, STONE TRAP AND DOOR - CONTINUED
(SIDEHILL)

KEY	PART NO.	PART NAME	QTY	SERIAL NO.	S H 9 5 0 0 0 0	REMARKS
1	AH135834	PLATE	1		X	
2	19M7812	SCREW	6		X	M10 X 100
3	AH135833	HINGE	1		X	
4	H117953	PIN	1		X	MAKE FROM H130057 - CUT TO 1385 MM
5	14M7296	FLANGE NUT	6		X	M10
6	H134853	DEFLECTOR	1	-656417	X	
	H151067	DEFLECTOR	1	656418-	X	
7	AH135835	DOOR	1		X	
8	H143855	ANGLE	2		X	
9	14M7020	WING NUT	2		X	M8
10	H148925	PIN	2		X	(SUB FOR H118068)
11	11M7030	COTTER PIN	4		X	5 X 40 MM
12	24M7051	WASHER	2		X	21 X 37 X 3 MM
13	H141123	NUT	2		X	
14	H146730	STOP	1		X	
15	H151068	SHIELD	2	656418-	X	
16	24M7178	WASHER	2	29SE97-	X	10.500 X 30 X 2.500 MM

8G1

THRESHING AND SEPARATION

CYLINDER DOOR
(FOR CORN) (-650200)
HP6242 -UN-24AUG99



HP6242

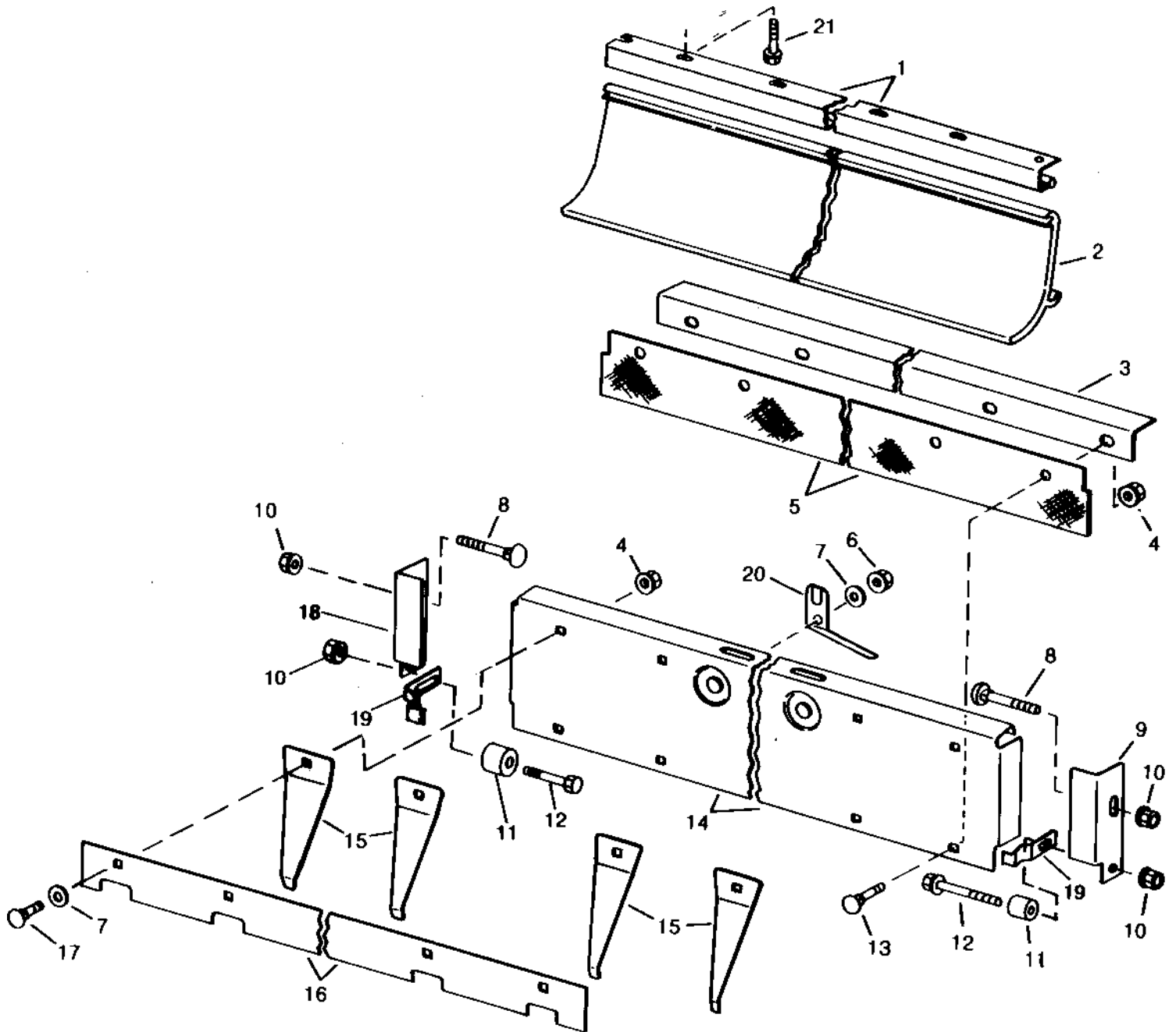
8G2

THRESHING AND SEPARATION

CYLINDER DOOR - CONTINUED
(FOR CORN) (-650200)

KEY	PART NO.	PART NAME	QTY	SERIAL NO.	S H 9 5 0 0 0 0	REMARKS
1	H148063	SUPPORT	1		X X	(SUB FOR H134160)
2	14M7298	FLANGE NUT	24		X X	M8
3	H150133	SEAL	1		X X	(SUB FOR H134157 OR H148061)
4	14M7396	LOCK NUT	2		X X	M8
5	24M7207	WASHER	2		X X	8.400 X 24 X 2 MM
6	H134654	HANDLE	2		X X	
7	03M7247	BOLT	2		X X	M10 X 90
8	14M7296	FLANGE NUT	4		X X	M10
9	H134165	SUPPORT	1		X X	
10	E50096	BUSHING	2		X X	
11	19M7944	SCREW	2		X X	M10 X 120
12	03M7185	BOLT	8		X X	M8 X 25
13	AH130202	DOOR	1		X X	
14	H134154	REINFORCEMENT	1		X X	
15	H134163	SEAL	1		X X	
16	H134151	ISOLATOR	1		X X	
17	03M7183	BOLT	16		X X	M8 X 16
18	H134164	SUPPORT	1		X X	

CYLINDER DOOR
(CORN AND GRAIN) (650201-655864)
HP5812 -UN-04JAN96



HP5812

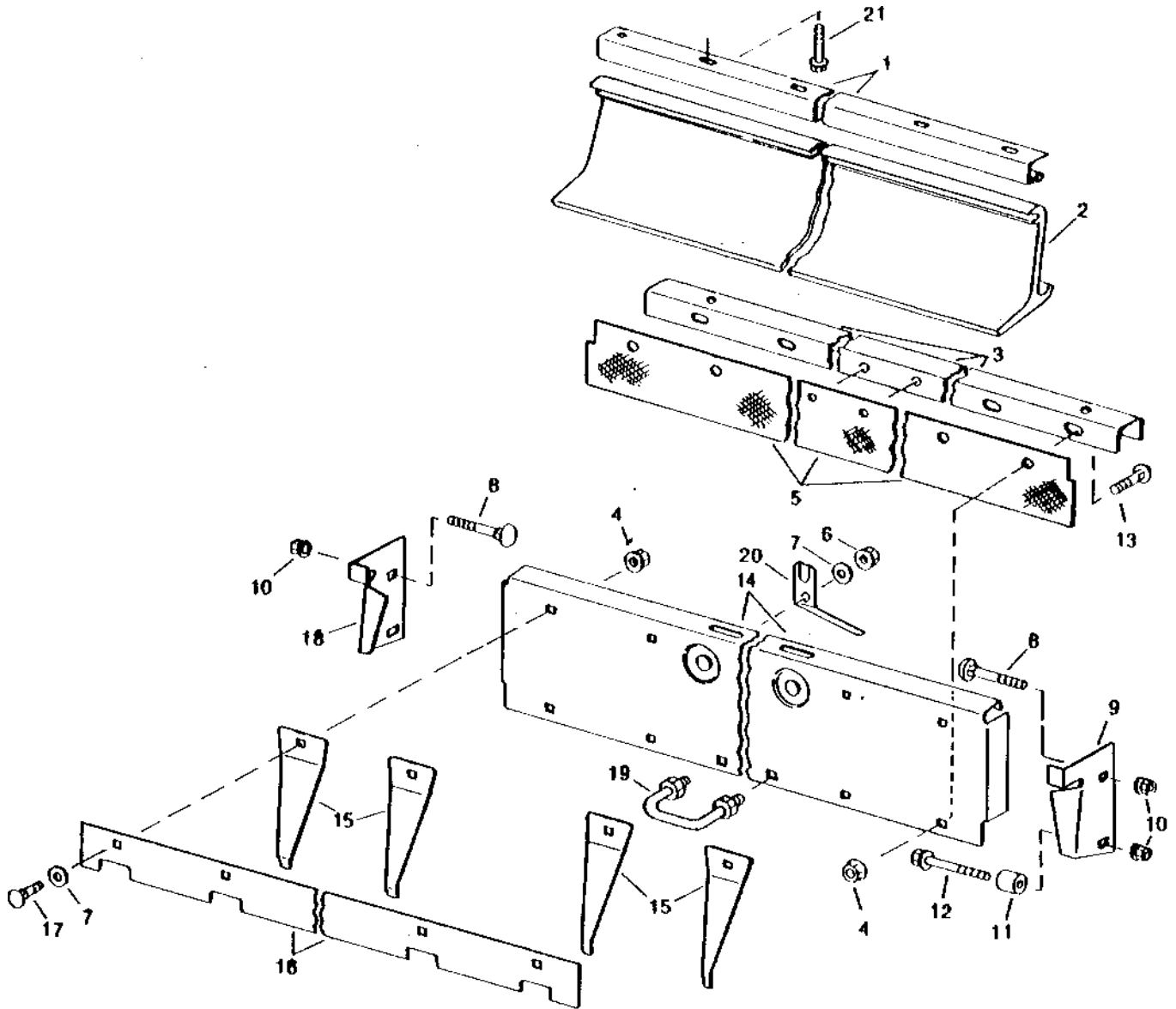
8G4

THRESHING AND SEPARATION

CYLINDER DOOR - CONTINUED (CORN AND GRAIN) (650201-655864)

KEY	PART NO.	PART NAME	QTY	SERIAL NO.	S H 9 5 0 0 0 0	REMARKS
1	H150128	HINGE	1		X X	(SUB FOR AH142422)
2	AH142551	DOOR	1		X X	
3	H148063	SUPPORT	1		X X	
4	14M7298	FLANGE NUT	14		X X	M8
5	H150133	SEAL	1		X X	(SUB FOR H148061)
6	14M7396	LOCK NUT	2		X X	M8
7	24M7207	WASHER	2		X X	8.400 X 24 X 2 MM
8	03M7247	BOLT	2		X X	M10 X 90
9	H134165	SUPPORT	1		X X	R.H.
10	14M7296	FLANGE NUT	4		X X	M10
11	E50096	BUSHING	2		X X	10.312 X 25.400 X 27.940 MM (13/32" X 1" X 1.100")
12	19M7944	SCREW	2		X X	M10 X 120
13	03M7185	BOLT	8		X X	M8 X 25
14	AH130202	DOOR	1		X X	
15	H148058	SPRING	4		X X	
16	H148066	STRIP	1		X X	
17	03M7183	BOLT	6		X X	M8 X 16
18	H134164	SUPPORT	1		X X	L.H.
19	H148057	STOP	2		X X	
20	H134654	HANDLE	2		X X	
21	19M7866	SCREW	6		X X	

CYLINDER DOOR
(655865-)
HP5678 -UN-01JAN94



HP5678

8G6

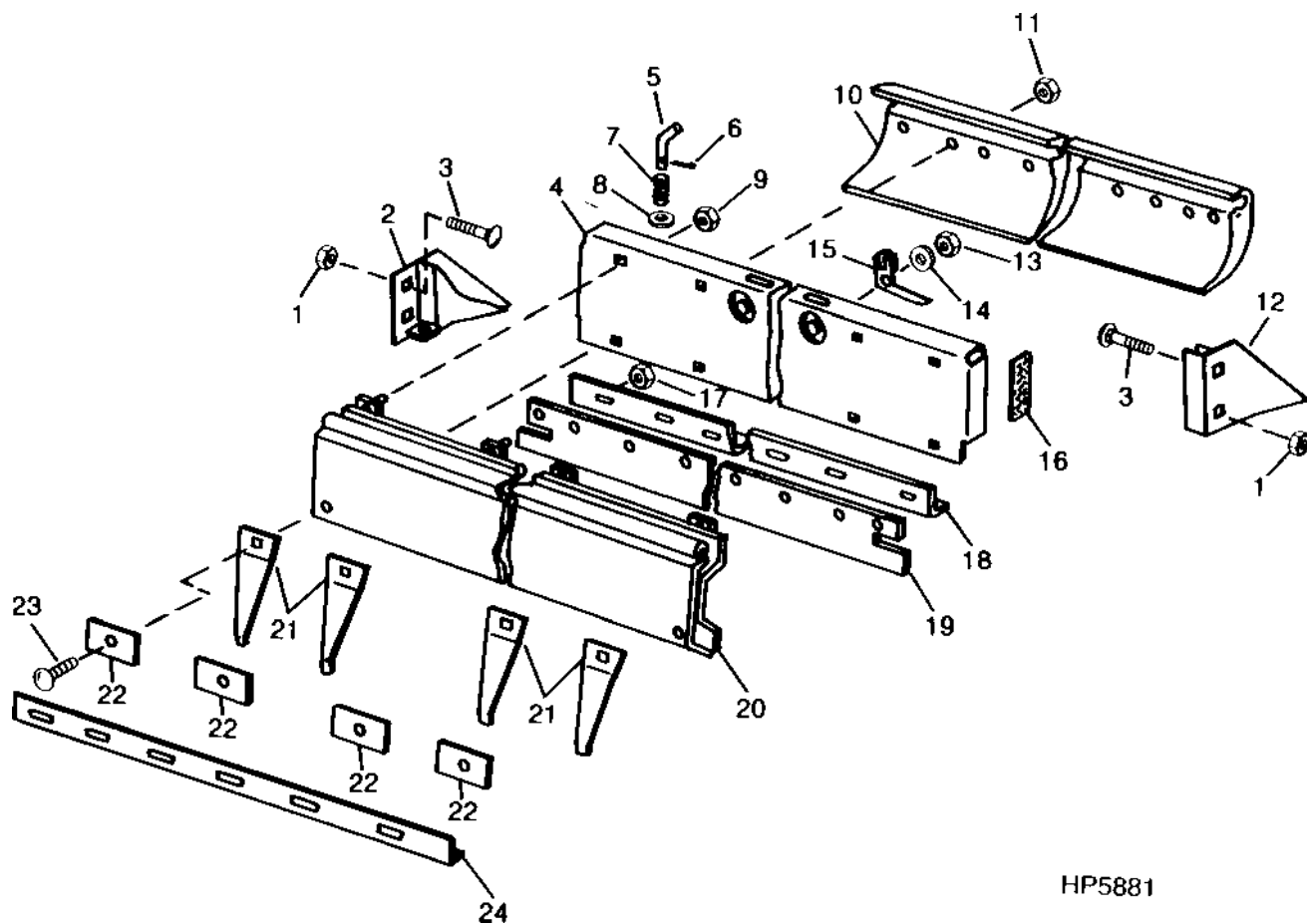
THRESHING AND SEPARATION

CYLINDER DOOR - CONTINUED (655865-)

KEY	PART NO.	PART NAME	QTY	SERIAL NO.	S H 9 5 0 0 0 0	REMARKS
1	H150128	HINGE	1		X X	
2	AH144104	DEFLECTOR	1		X X	(USE WITH H150134)
	H150134	SEAL	1		X X	
3	H150130	SUPPORT	1		X X	
4	14M7298	FLANGE NUT	14		X X	M8
5	H150133	SEAL	1		X X	
6	14M7396	LOCK NUT	2		X X	M8
7	24M7047	WASHER	2		X X	13 X 24 X 2.500 MM (0.512" X 0.945" X 0.098")
8	03M7247	BOLT	2		X X	M10 X 90
9	SUPPORT	1		X X	(ORDER AH144609) (INCLUDES BOTH R.H. AND L.H. SUPPORTS)
10	14M7296	FLANGE NUT	4		X X	M10
11	E50096	BUSHING	2		X X	10.312 X 25.400 X 27.940 MM (13/32" X 1" X 1.100")
12	19M7944	SCREW	2		X X	M10 X 120
13	03M7185	BOLT	8	-655900	X X	M8 X 25
	03M7184	BOLT	9	655901-	X X	M8 X 20
14	AH130202	DOOR	1		X X	
15	H148058	SPRING	4		X X	
16	H148066	STRIP	1		X X	
17	03M7183	BOLT	6		X X	M8 X 16
18	SUPPORT	1		X X	(ORDER AH144609) (INCLUDES BOTH R.H. AND L.H. SUPPORTS)
19	H150131	U-BOLT	2		X X	(SUB AH144609)
	14H785	NUT	1		X X	7.925 MM (5/16")
	14H1042	NUT	1		X X	7.925 MM (5/16")
20	H134654	HANDLE	2		X X	
21	19M7866	SCREW	6		X X	M8 X 20

8G7

CORN CYLINDER DOOR
(ARGENTINA ONLY)
HP5881 -UN-20JUL95



HP5881

8G8

THRESHING AND SEPARATION

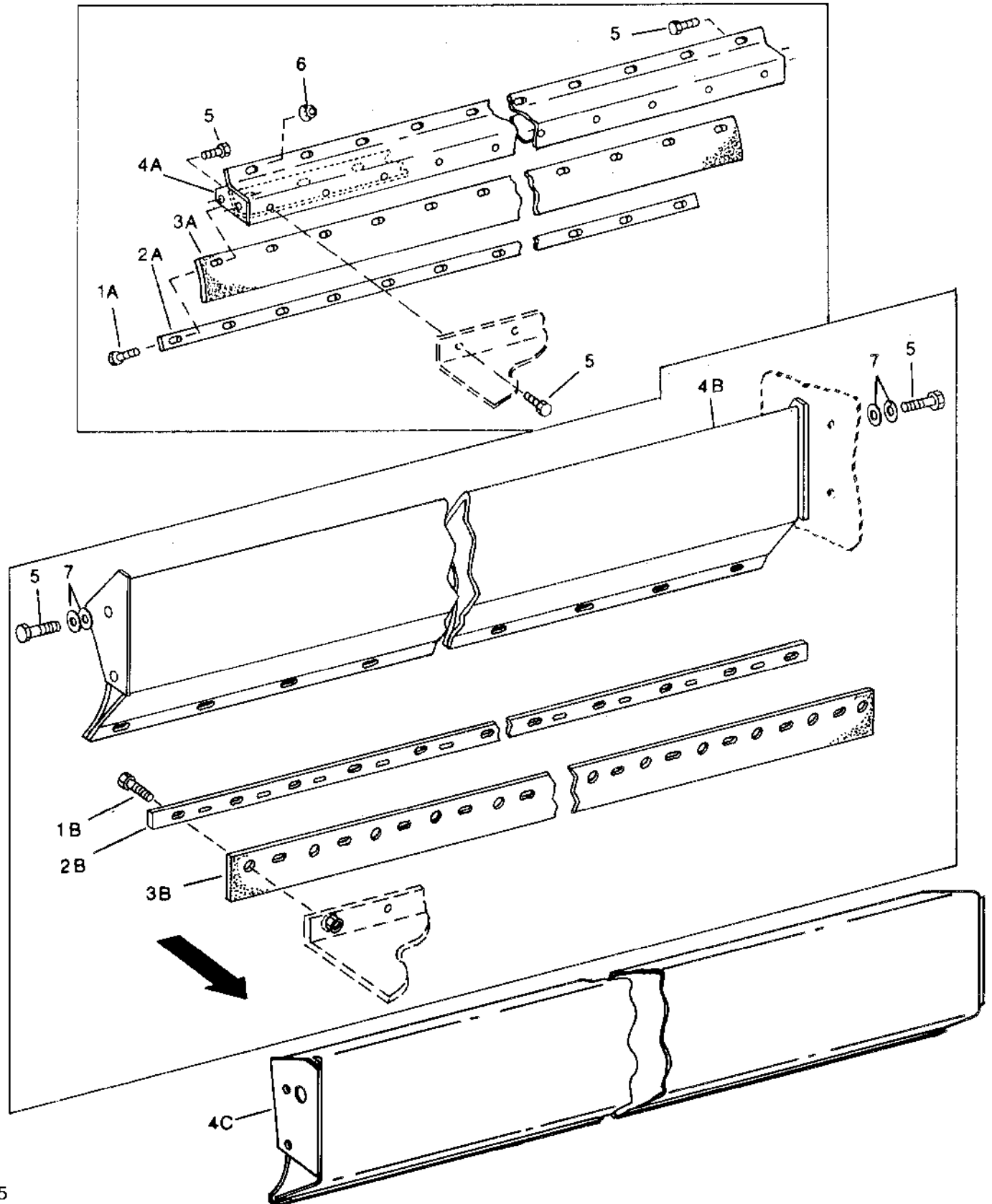
CORN CYLINDER DOOR - CONTINUED (ARGENTINA ONLY)

KEY	PART NO.	PART NAME	QTY	SERIAL NO.	S H 9 5 0 0 0 0	REMARKS
1	14M7296	FLANGE NUT	2	X X	M10	
2	AH144776	STOP	1	X X	L.H.	
3	03M7247	BOLT	2	X X	M10 X 90	
4	AH144599	DOOR	1	X X		
5	H150746	PIN	2	X X		
6	11M7059	COTTER PIN	2	X X	3.200 X 20 MM (0.126" X 0.787")	
7	HZ5621H	SPRING	2	X X		
8	24H1305	WASHER	2	X X	10.312 X 20.625 X 1.651 MM (13/32" X 13/16" X 0.065")	
9	14M7298	FLANGE NUT	5	X X	M8	
10	H150514	DEFLECTOR	1	X X		
11	14M7165	LOCK NUT	4	X X	M6	
12	AH144776	STOP	1	X X	R.H.	
13	14M7396	LOCK NUT	2	X X	M8	
14	24M7207	WASHER	2	X X	8.400 X 24 X 2 MM (0.331" X 0.945" X 0.079")	
15	H134654	HANDLE	2	X X		
16	H150134	SEAL	2	X X		
17	14M7166	LOCK NUT	9	X X	M8	
18	H151048	ANGLE	1	X X		
19	H151477	SEAL	1	X X		
20	AH144601	PANEL	1	X X		
21	H148058	SPRING	4	X X		
22	H150682	STRAP	4	X X		
23	19M6755	CAP SCREW	4	X X	M6 X 35	
24	H151527	SEAL	1	X X		

8G9

THRESHING AND SEPARATION

CYLINDER SHEAR BAR
HP6565 -UN-15NOV96



HP6565

8G10

THRESHING AND SEPARATION

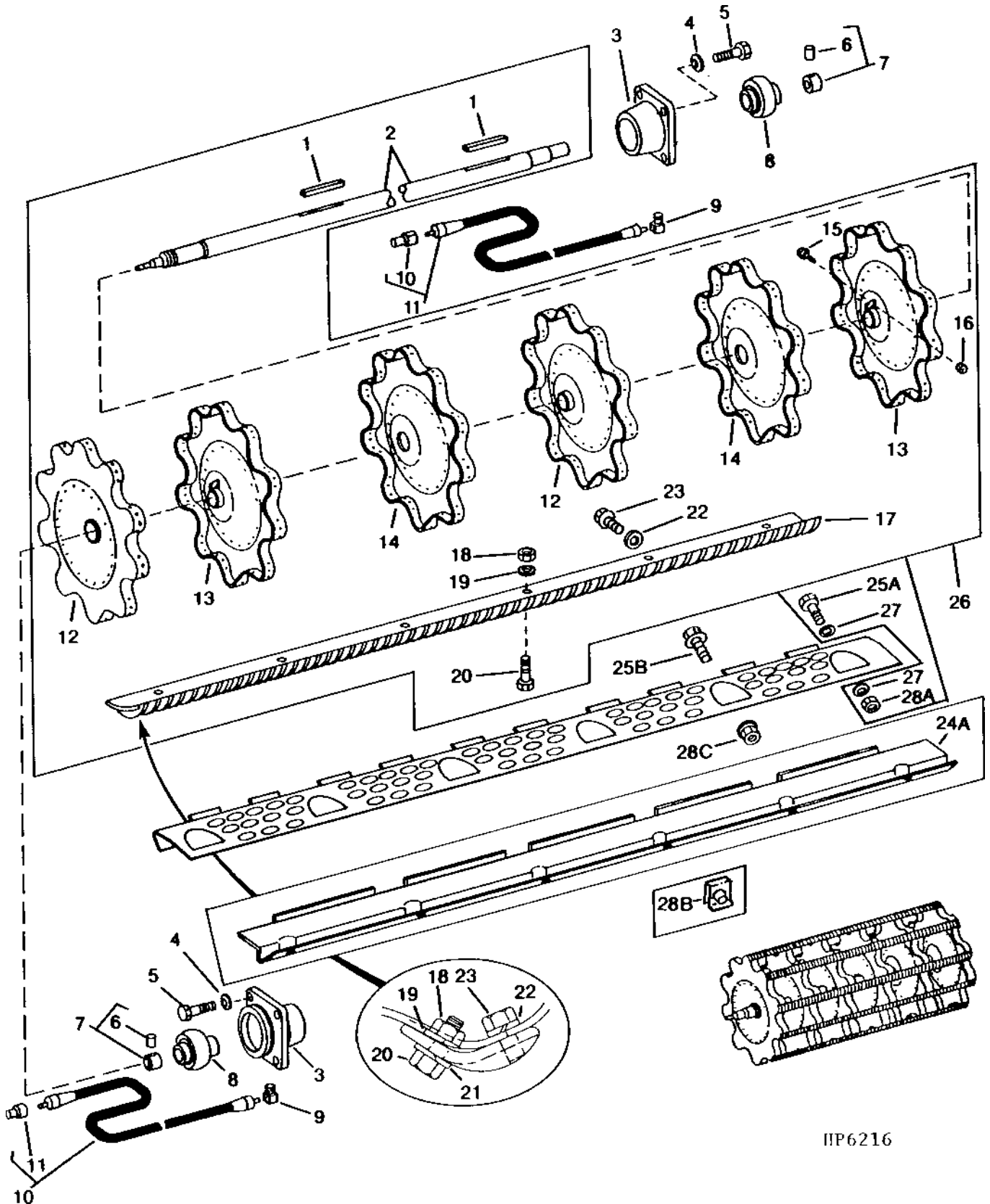
CYLINDER SHEAR BAR - CONTINUED

KEY	PART NO.	PART NAME	QTY	SERIAL NO.	S H 9 5 0 0	REMARKS
1A	37M7096	SCREW	13	-642859	X X	M8 X 35
1B	19M7867	SCREW	10	642860-	X X	
2A	H77514	STRAP	1	-642859	X X	
2B	H143389	STRIP	1	642860-	X X	
3A	H77512	SEAL	1	-642859	X X	
3B	H143387	SEAL	1	642860-	X X	
4A	AH126295	TIE BAR	1	-642859	X X	
4B	AH137233	STRIPPER	1	642860-	X X	
4C	AH141618	STRIPPER	1		X X	
5	37M7080	SCREW	10	-642859	X X	M10 X 30
6	14M7298	FLANGE NUT	6	-642859	X X	M8
7	24M7101	WASHER	4	645588-5FEB96	X X	11 X 34 X 3 MM
	24M7178	WASHER	4	5FEB96-	X X	10.500 X 30 X 2.500 MM

8G11

THRESHING AND SEPARATION

RASP BAR THRESHING CYLINDER
HP6216 -UN-04JAN96



HP6216

8G12

THRESHING AND SEPARATION

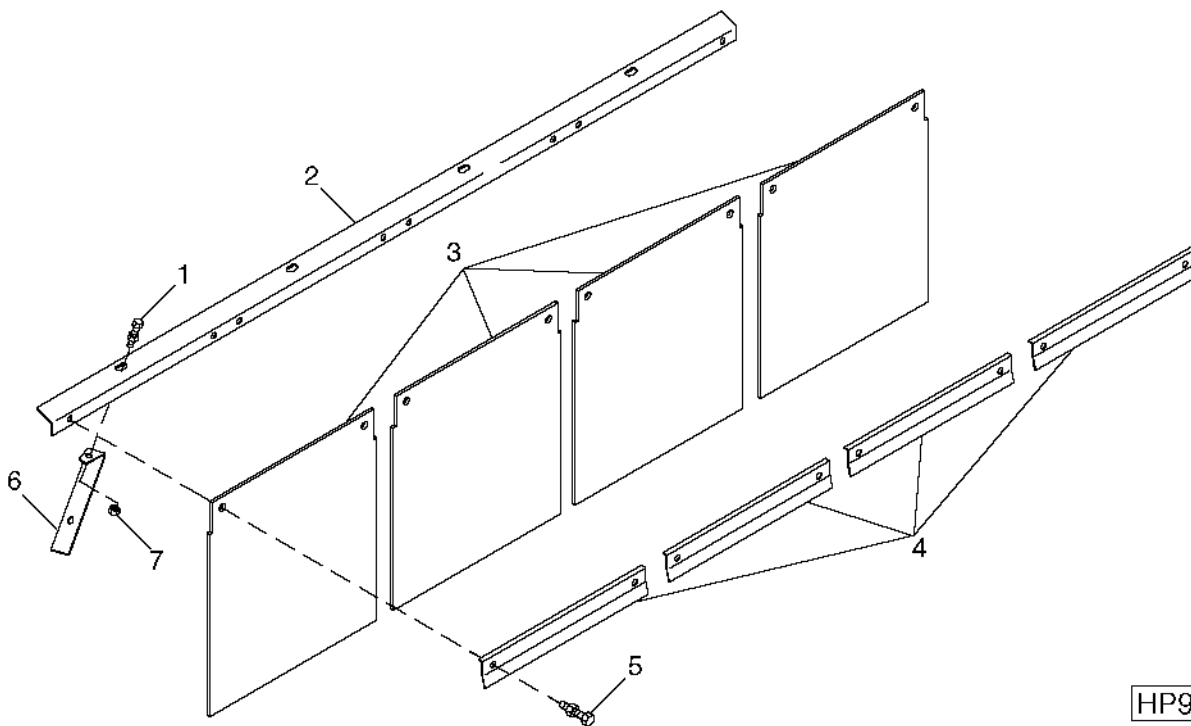
RASP BAR THRESHING CYLINDER - CONTINUED

KEY	PART NO.	PART NAME	QTY	SERIAL NO.	S H 9 5 0 0	REMARKS
1	SHAFT KEY	2		X X	(CUT FROM H64376)
2	H140043	SHAFT	1		X X	DUAL RANGE
	H145970	SHAFT	1		X X	(SUB FOR H127972) SINGLE RANGE
3	H99149	HOUSING	2		X X	
4	12H304	LOCK WASHER	8		X X	3/8"
5	19M7785	SCREW	8		X X	
6	SET SCREW	2		X X	
7	JD10342	ECCENTRIC LOCKING COLLAR	2		X X	
8	JD10343	BALL BEARING	2		X X	
9	JD7845	ELBOW FITTING	2		X X	
10	AH121009	HOSE	2		X X	1/8" X 910 MM (35-3/4") X 1/8"
11	JD7759	LUBRICATION FITTING	2		X X	
12	AH126720	THRESHING CYLINDER HEAD	2		X X	WITH PILOT HUB
13	AH126719	THRESHING CYLINDER HEAD	2		X X	WITH KEYED HUB
14	H131878	THRESHING CYLINDER HEAD	2		X X	WITH NO HUB
15	19H1820	CAP SCREW	2		X X	1/2" X 3"
	12H301	LOCK WASHER	2		X X	1/2"
16	14H1040	NUT	2		X X	1/2"
17	AH161400	RASP BAR	1		X X	METRIC, (SUB FOR AH134145) L.H. CHROMED
	AH161405	RASP BAR	1		X X	METRIC, (SUB FOR AH134144) R.H. CHROMED
	AH161407	RASP BAR	1		X X	METRIC, (SUB FOR AH139433) L.H. BLACK
	AH161409	RASP BAR	1		X X	METRIC, (SUB FOR AH139432) R.H. BLACK
	AH161410	RASP BAR	1		X X	METRIC, (SUB FOR AH139768) SMOOTH
18	H99923	LOCK NUT	60		X X	9.525 MM (3/8") WITH RASP BAR
19	24H1308	WASHER	60		X X	WITH RASP BAR
20	19H3239	CAP SCREW	60		X X	
21	24H1303	WASHER	2		X X	13/32" X 11/16" X 0.065"
22	12H304	LOCK WASHER	60		X X	3/8"
23	19H2554	CAP SCREW	60	657106-	X X	3/8" X 5/8", (SUB FOR H89853)
24A	H135988	DEFLECTOR	10	-640200	X	
	H144037	DEFLECTOR	10	-665200	X X	
24B	H150837	DEFLECTOR	10	665201-	X X	PERFORATED
25A	19M7785	SCREW	60	-640200	X	M10 X 25
25B	H145773	SELF-LOCKING SCREW	60	640201-	X X	M10 X 35
26	AH162797	RASP-BAR CYLINDER	1		X X	(SUB FOR AH144545) SINGLE RANGE
	AH162821	RASP-BAR CYLINDER	1		X X	(SUB FOR AH144544) DUAL RANGE
	AH162827	RASP-BAR CYLINDER	1		X X	(SUB FOR AH127611 OR AH140131) SINGLE RANGE (CHROME)
	AH162833	RASP-BAR CYLINDER	1		X X	(SUB FOR AH134658)
27	24H1308	WASHER	120	-640200	X X	13/32" X 1" X 0.134", WITH DEFLECTOR
28A	H99923	LOCK NUT	120	-640200	X	9.525 MM (3/8") WITH DEFLECTOR
28B	H143834	NUT	120	640201-640400	X	WITH DEFLECTOR
	H146457	NUT	120	640401-	X X	
28C	14M7400	LOCK NUT	120		X X	
..	AH140417	PACKAGE OF PARTS	1		X X	INCLUDES (60) H145773 CAP SCREWS,(60) H146457 CLIP NUTS AND (60) 24H1308 WASHERS
..	AH163920	KIT	2		X X	(SUB FOR AH146116 OR AH161818) (INCLUDES (35) H135891, (35) 19M7402 AND (35) 19M7783) METRIC
..	AH163921	KIT	1		X X	(INCLUDES (14) H135891, (14) 19M7402 AND (14) 19M7783) METRIC
..	BH81162	COMPLETE GOODS/SHIP. BUNDLE	1		X X	PERFORATED FILLER PLATES-NARROW

8G13

THRESHING AND SEPARATION

BEATER GRATE CURTAIN
HP9323 -UN-18NOV99



HP9323

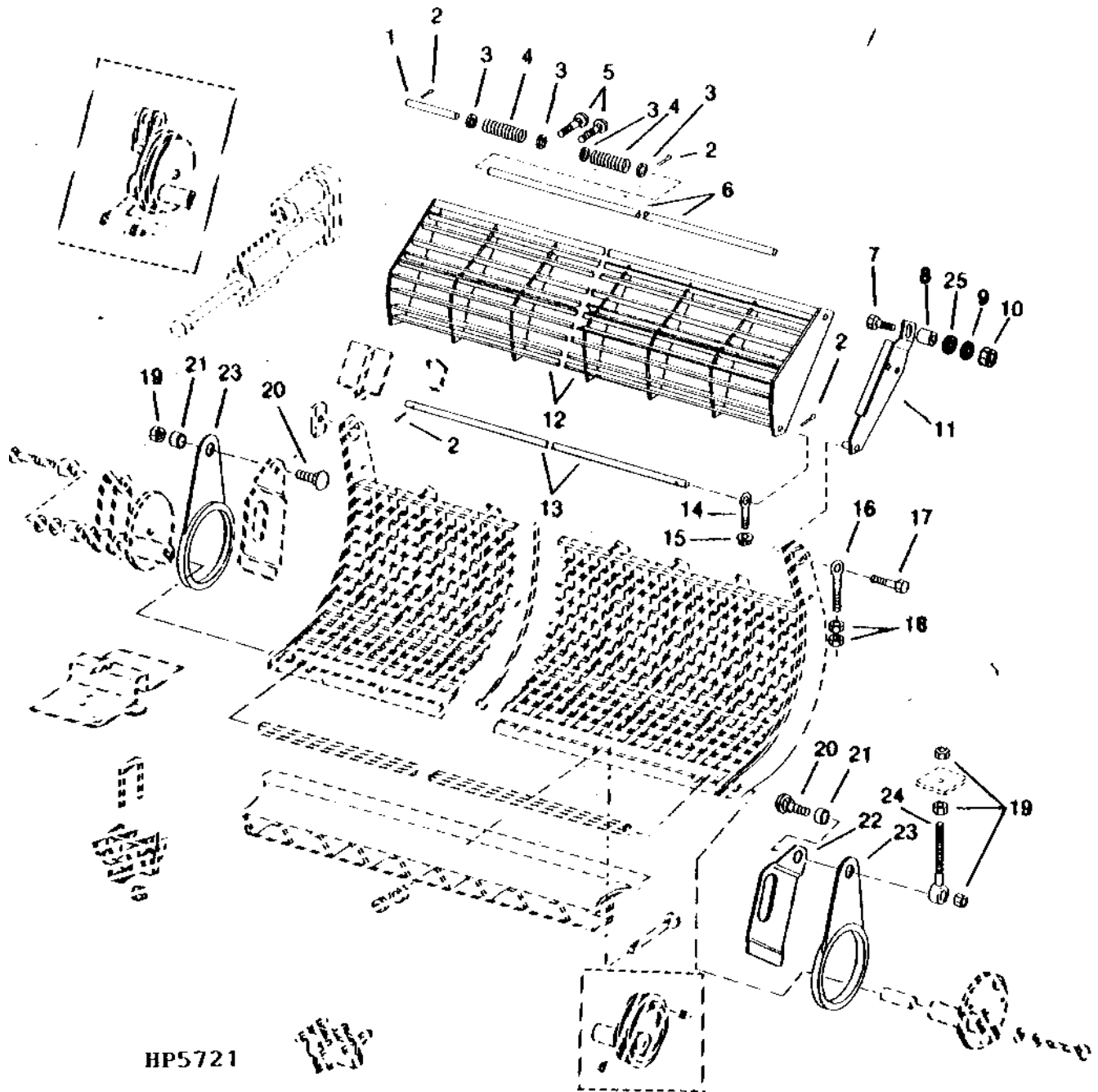
KEY	PART NO.	PART NAME	QTY	SERIAL NO.	S H 9 5 0 0	REMARKS
1	19M7866	SCREW	8		X X	M8 X 20
	14M7298	FLANGE NUT	8		X X	M8
2	H148301	ANGLE	1		X X	
3	H148305	LIMIT CURTAIN	4		X X	
4	H148302	ANGLE	4		X X	M8
5	19M7866	SCREW	8		X X	M8 X 20
	14M7298	FLANGE NUT	8	-660200	X X	M8
	14M7396	LOCK NUT	10	660201-666293	X X	M8
6	H148304	SUPPORT	4	666294-	X X	(SUB FOR AH144081)
7	H156360	NUT	4	666294-	X X	
..	H151318	SIGN	1	660201-	X X	BEATER GRATE CURTAIN

MEMORANDA

8G14

THRESHING AND SEPARATION

RASP BAR CONCAVE AND GRATE
HP5721 -UN-01JAN94



HP5721

8G15

THRESHING AND SEPARATION

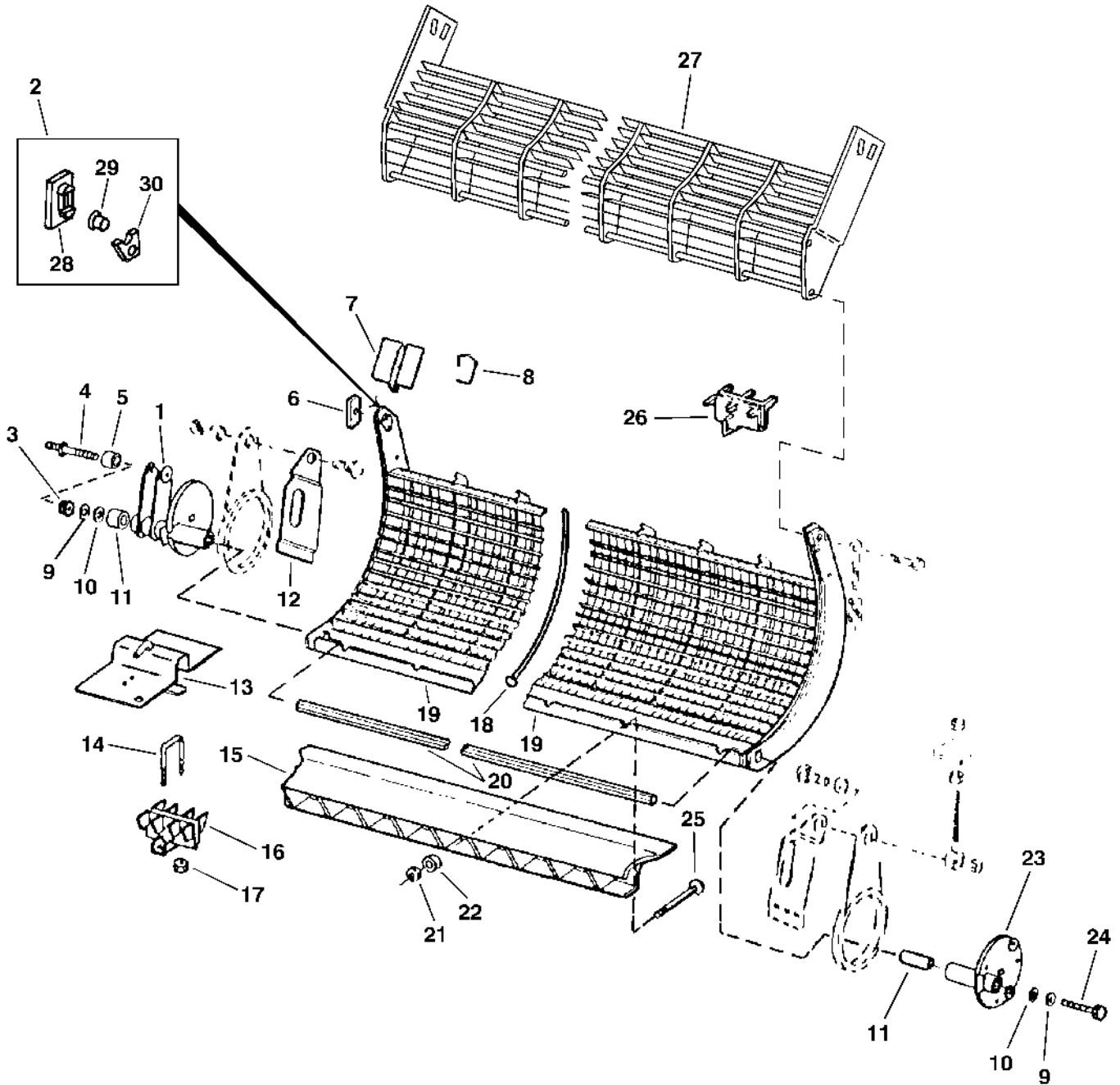
RASP BAR CONCAVE AND GRATE - CONTINUED

KEY	PART NO.	PART NAME	QTY	SERIAL NO.	S H 9 5 0 0	REMARKS
1	H134230	PIN	1	-640200	X	
2	11M7028	COTTER PIN	4		X X	5 X 32 MM
	11M7015	COTTER PIN	4		X X	3.200 X 25 MM
3	24M7051	WASHER	4		X X	21 X 37 X 3 MM
4	H134232	SPRING	2	-640200	X	
5	03M7218	BOLT	2		X X	M10 X 80
6	H134229	PIN	1	-640200	X	
7	19M7790	SCREW	1	-640200	X	M12 X 35
	19M7791	SCREW	1	640201-655864	X X	M12 X 40
	19M7813	SCREW	1	655996-		
8	E70736	BUSHING	2	-640200	X	(SUB H140804)
9	12H301	LOCK WASHER	2		X X	1/2"
10	14M7299	FLANGE NUT	2		X X	M12
11	AH130231	SUPPORT	1	-640200	X	L H
	AH130232	SUPPORT	1	-640200	X	R H
12	AH134917	GRATE	1		X	(SUB FOR AH130358) (SUB AH151121, H140803, (2) H140804, (2) 19M7813 AND (2) 11M7015)
	AH151121	GRATE	1		X X	
13	H131002	PIN	1		X X	
	H140803	PIN	1		X X	
14	H144742	EYEBOLT	2		X X	(SUB FOR H127006)
15	14M7400	LOCK NUT	2		X X	M10
16	H143610	EYEBOLT	2		X X	(SUB FOR H115179)
17	19M7597	CAP SCREW	2		X X	M20 X 50
18	14M7276	NUT	4		X X	M16
19	14M7300	FLANGE NUT	4		X X	M20
20	H137203	BOLT	2		X X	
21	H137204	BUSHING	2		X X	
22	H131989	COVER	1		X X	
23	H151484	LINK	2		X X	(SUB FOR AH127986 OR H147484)
24	H119642	EYEBOLT	1		X X	
25	24H1226	WASHER	1	655790-	X X	
..	TY9371	ADHESIVE	1		X X	APPLY ON 03M7218 (6 ML HIGH STRENGTH)

8G16

THRESHING AND SEPARATION

RASP BAR CONCAVE AND GRATE
HP9325 -UN-18NOV99



HP9325

8G17

THRESHING AND SEPARATION

RASP BAR CONCAVE AND GRATE - CONTINUED

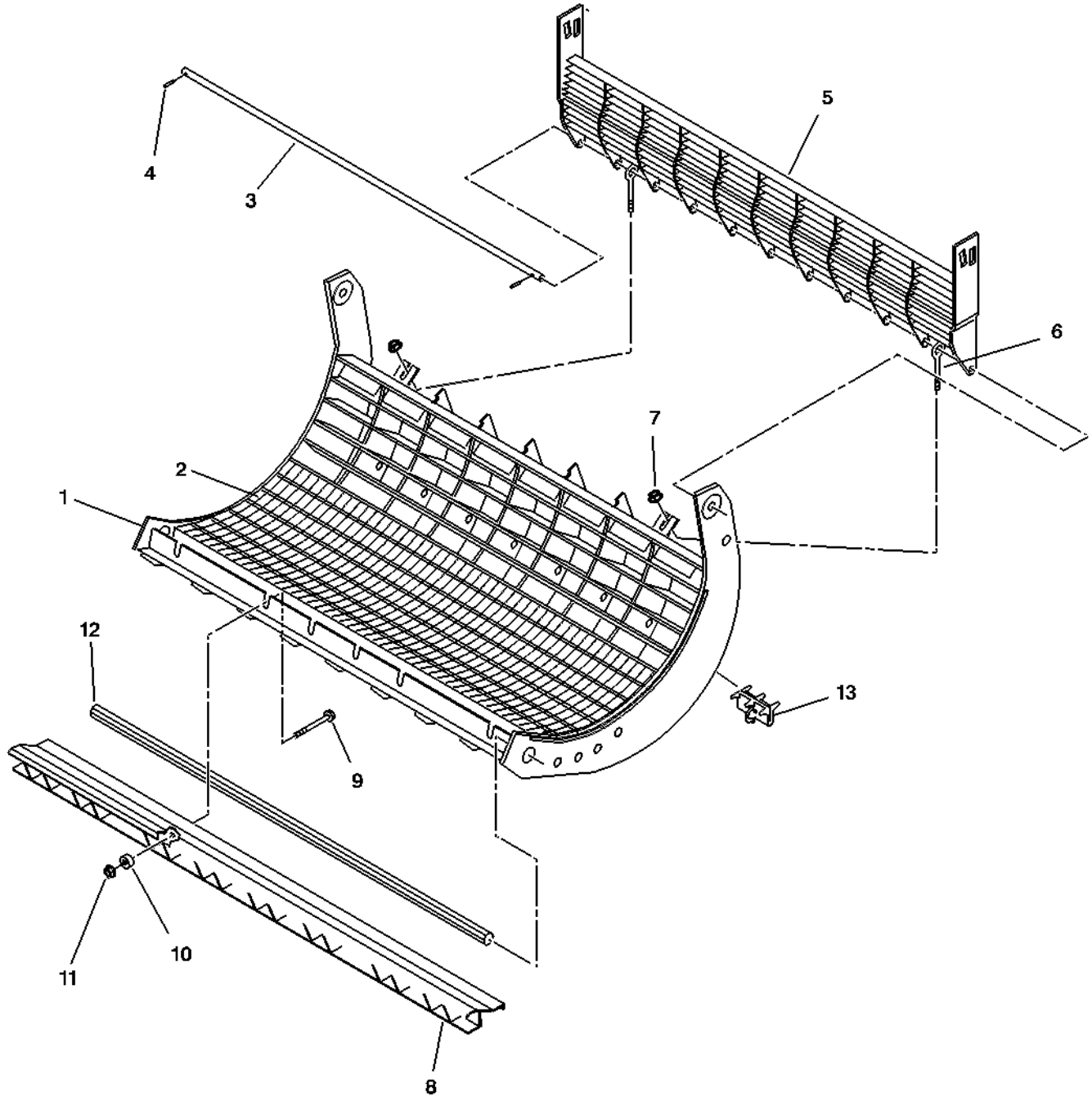
KEY	PART NO.	PART NAME	QTY	SERIAL NO.	S H 9 5 0 0	REMARKS
1	AH133156	CAM	1		X X	(SUB FOR H132821)
2	AH140604	ADJUSTING STRAP	1		X X	(INCLUDES INSTRUCTION SHEET)
3	A31867	LOCK NUT	1	-5FEB96	X X	M12
	14M7401	LOCK NUT	1	-5FEB96	X X	
4	H132541	SCREW	1		X X	
5	28H1597	WASHER	1		X X	0.546" X 0.840" X 3/8" 0.546" X 0.840" X 2-1/8"
6	H146318	ADJUSTING STRAP	1		X X	(SUB FOR H135246 OR H146389)
7	H134418	COVER	1		X X	FOR REAR OF CONCAVE
8	H134420	RETAINER	1		X X	
9	24H1351	WASHER	2	-5FEB96	X X	9/16" X 1-1/2" X 0.164"
	24M7101	WASHER	1	5FEB96-	X X	11 X 34 X 3 MM
10	H133633	SEAL	2		X X	
11	28H2642	SPACER	1		X X	13.868 X 21.336 X 63.500 MM, R.H.
	28H1601	BUSHING	1		X X	13.868 X 21.336 X 104.775 MM, L.H.
12	H131988	COVER	1		X X	RH (SPIKE TO RASP CONVERSION)
13	AH130465	COVER	AR		X X	FOR BOTTOM FRONT OF CONCAVE
14	H137947	U-BOLT	AR		X X	
15	AH151119	ANGLE	1		X X	(SUB FOR AH132367 OR AH141204)
16	AH134773	INSERT	AR		X X	FOR USE IN CORN
17	14M7396	LOCK NUT	AR		X X	M8
18	H135036	PIN	AR		X X	FOR SMALL GRAIN (SHORT)
	H135037	PIN	AR		X X	FOR CORN (LONG)
19	AH136605	CONCAVE	1		X X	(SUB FOR AH133287, AH133289, AH137534 OR AH155494) FOR SMALL GRAIN
20	H145639	SHAFT	1		X X	(SUB FOR H133632)
21	14M7401	LOCK NUT	6		X X	M12
22	E47782	SPACER	6		X X	
23	AH133157	CAM	1		X X	(SUB FOR H132820)
24	H147468	ROD	6		X X	
25	H139098	BOLT	6		X X	
26	AH143744	INSERT	4		X X	(SUB FOR AH137523) SHORT WIRE
	AH144868	INSERT	1		X X	(SUB FOR AH140517) (LONG WIRE TO SHORT WIRE CONVERSION) FOR COMBINES PRIOR TO S/N 645217)
27	AH151121	GRATE	1		X X	
28	H146318	ADJUSTING STRAP	2		X X	
29	BUSHING	2		X X	
30	RETAINER	2		X X	
..	BH78486	COMPLETE GOODS/SHIP. BUNDLE	1		X X	CONCAVE COVERS
..	BH78496	COMPLETE GOODS/SHIP. BUNDLE	1		X X	REAR CONCAVE FILLER STRIPS

8G18

THRESHING AND SEPARATION

CONCAVE ASSEMBLY AND BEATER GRATE (13-BAR NARROW)

HP7388 -UN-02FEB98



HP7388

8G19

THRESHING AND SEPARATION

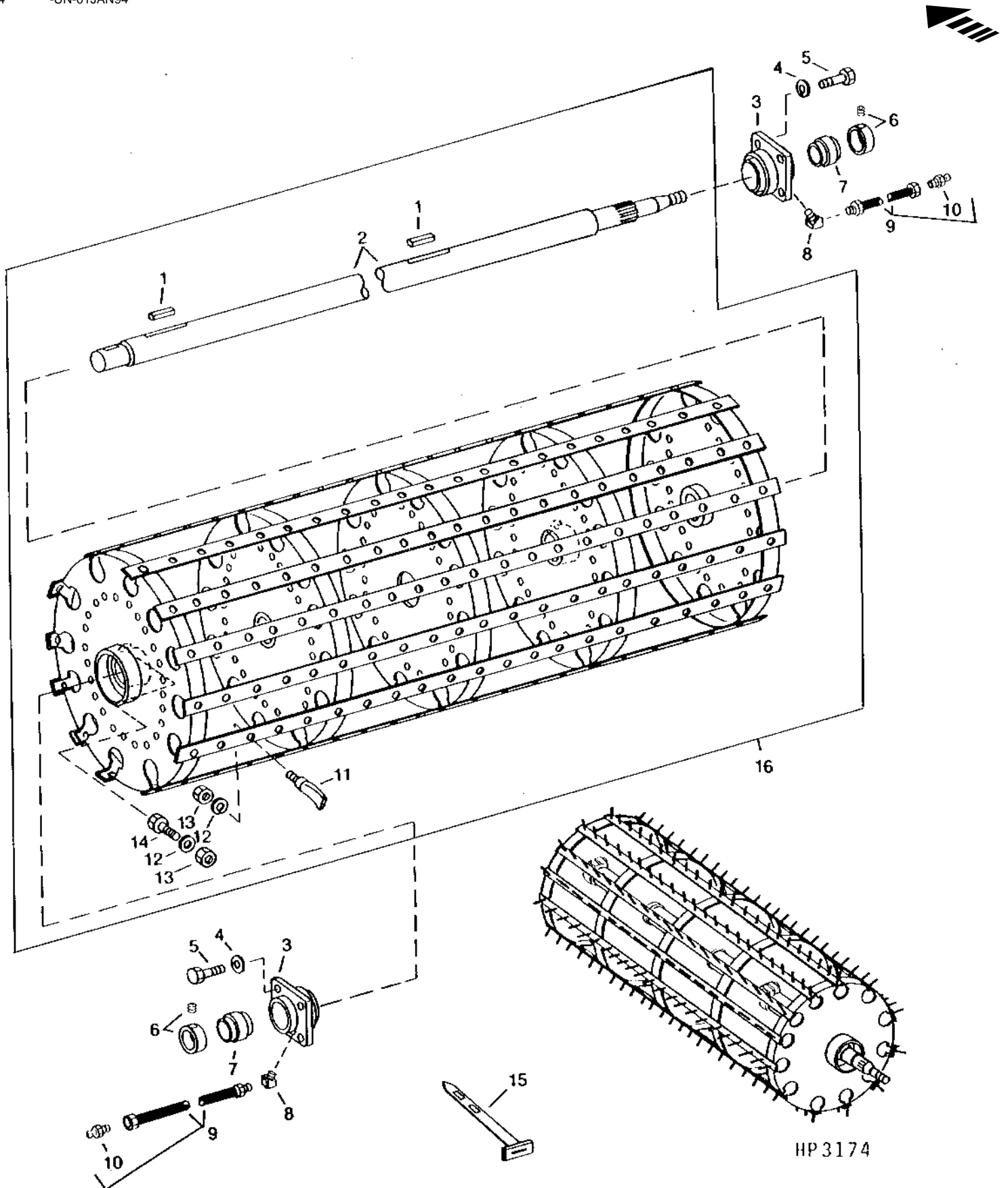
CONCAVE ASSEMBLY AND BEATER GRATE (13-BAR NARROW) - CONTINUED

KEY	PART NO.	PART NAME	QTY	SERIAL NO.	S H 9 5 0 0	REMARKS
1	AH150497	CONCAVE	1		X X	13 BAR NARROW
2	H157967	NAIL	50		X X	
3	H140803	PIN	1		X X	
4	11M7015	COTTER PIN	2		X X	
5	AH151121	GRATE	1		X X	NARROW BODY
6	H144742	EYEBOLT	2		X X	M10 X 62
7	H135891	LOCK NUT	2	-675316	X X	M10 M10
	14M7400	LOCK NUT	2	675317-	X X	M10
8	AH151119	ANGLE	1		X X	NARROW BODY
9	H139098	BOLT	6		X X	
10	E47782	SPACER	6		X X	
11	14M7401	LOCK NUT	6		X X	M12
12	H145639	SHAFT	1		X X	NARROW
13	AH153688	INSERT	16		X X	CONCAVE GRID (CARTON OF 20)

8G20

THRESHING AND SEPARATION

SPIKE TOOTH THRESHING CYLINDER
HP3174 -UN-01JAN94



8G21

THRESHING AND SEPARATION

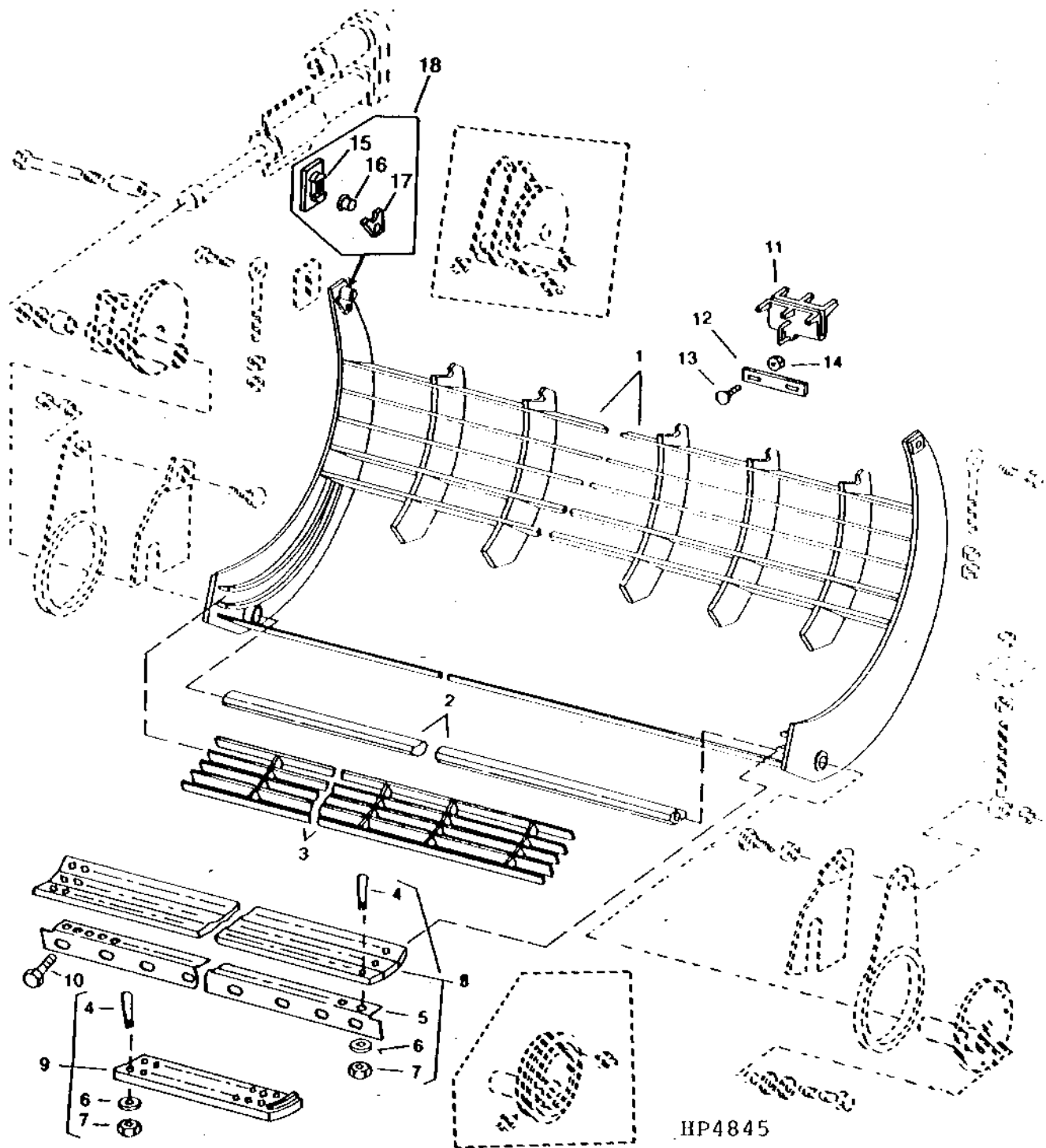
SPIKE TOOTH THRESHING CYLINDER - CONTINUED

KEY	PART NO.	PART NAME	QTY	SERIAL NO.	S H 9 5 0 0	REMARKS
1	SHAFT KEY	2		X X	(CUT FROM H64376)
2	H140043	SHAFT	1		X X	FOR DUAL RANGE
3	H99149	HOUSING	2		X X	
4	12H304	LOCK WASHER	8		X X	3/8"
5	19H1732	CAP SCREW	8		X X	3/8" X 1-1/4"
6	JD10342	ECCENTRIC LOCKING COLLAR	2		X X	
7	JD10343	BALL BEARING	2		X X	
8	JD7845	ELBOW FITTING	2		X X	
9	AH121009	HOSE	2		X X	1/8" X 910 MM (35-3/4") X 1/8"
10	JD7759	LUBRICATION FITTING	2		X X	
11	H132057	TOOTH	312		X X	
12	12H301	LOCK WASHER	314		X X	1/2", (INTO HEADER WITH KEYED HUB)
13	14H809	NUT	314	-651191	X X	1/2", (INTO HEADER WITH KEYED HUB)
	14H1040	NUT	314	651192-	X X	1/2", QUANTITY OF (2) INTO HEADER WITH KEYED HUB
14	19H1820	CAP SCREW	2		X X	1/2" X 3"
15	P5403H	TOOL	1		X X	
16	AH134662	SPIKE-TOOTH CYLINDER	1		X X	DUAL RANGE AND LOW SPEED DUAL RANGE. USE TO CONVERT TO SPIKE TOOTH, INCS. SPIKE TOOTH CYLINDER
..	BH71877	COMPLETE GOODS/SHIP. BUNDLE	1		X	RASP BAR TO SPIKE TOOTH CONVERSION

8G22

THRESHING AND SEPARATION

SPIKE-TOOTH CONCAVE
HP4845 -UN-01JAN94



8G23

THRESHING AND SEPARATION

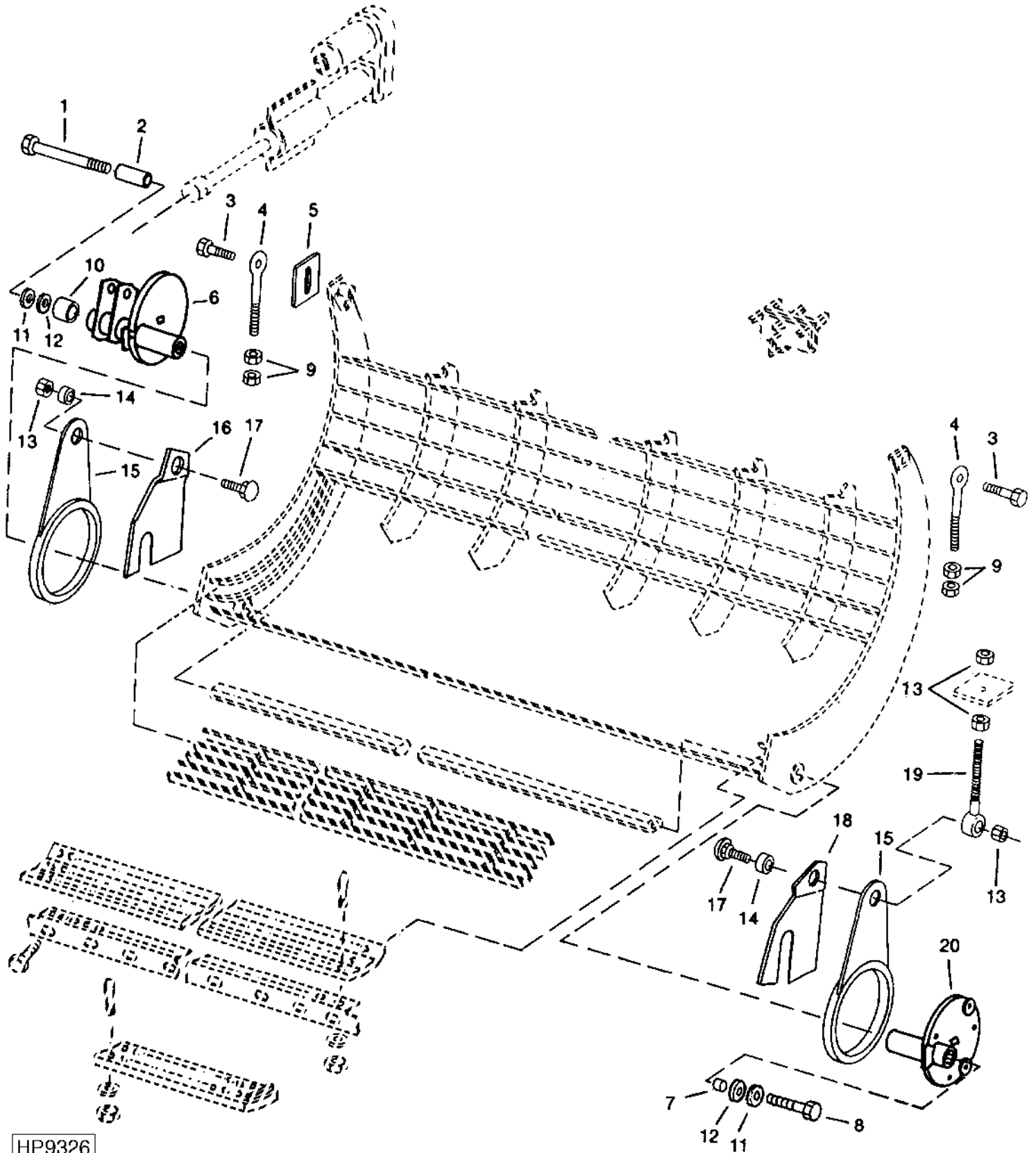
SPIKE-TOOTH CONCAVE - CONTINUED

KEY	PART NO.	PART NAME	QTY	SERIAL NO.	S H 9 5 0 0	REMARKS
1	AH135647	CONCAVE	1		X X	(SUB FOR AH132885)
2	H145639	SHAFT	1		X X	(SUB FOR H133632)
3	AH131331	GRATE	1		X X	
4	H132057	TOOTH	AR		X X	
5	H145257	ANGLE	1		X X	(SUB FOR H135316)
6	12H301	LOCK WASHER	AR		X X	1/2"
7	14H809	NUT	AR	-651191	X X	1/2"
	14H1040	NUT	AR	651192-	X X	1/2"
8	AH139246	BAR	AR		X X	(SUB FOR AH129375)
9	AH126880	CONCAVE	1		X X	
10	19M7786	SCREW	7		X X	
11	AH153688	INSERT	4		X X	(SUB FOR AH137523 OR AH143744)
12	H141993	ADJUSTING STRAP	AR	-635200	X	USE WITH AH132885
13	03M7222	BOLT	2		X X	
14	14M7303	FLANGE NUT	2		X X	
15	H146318	ADJUSTING STRAP	2		X	
16	BUSHING	2		X	
17	RETAINER	2		X	
18	AH140604	ADJUSTING STRAP	1		X	(INCLUDES INSTRUCTION)

8G24

THRESHING AND SEPARATION

SPIKE TOOTH CONCAVE
HP9326 -UN-18NOV99



HP9326

8G25

THRESHING AND SEPARATION

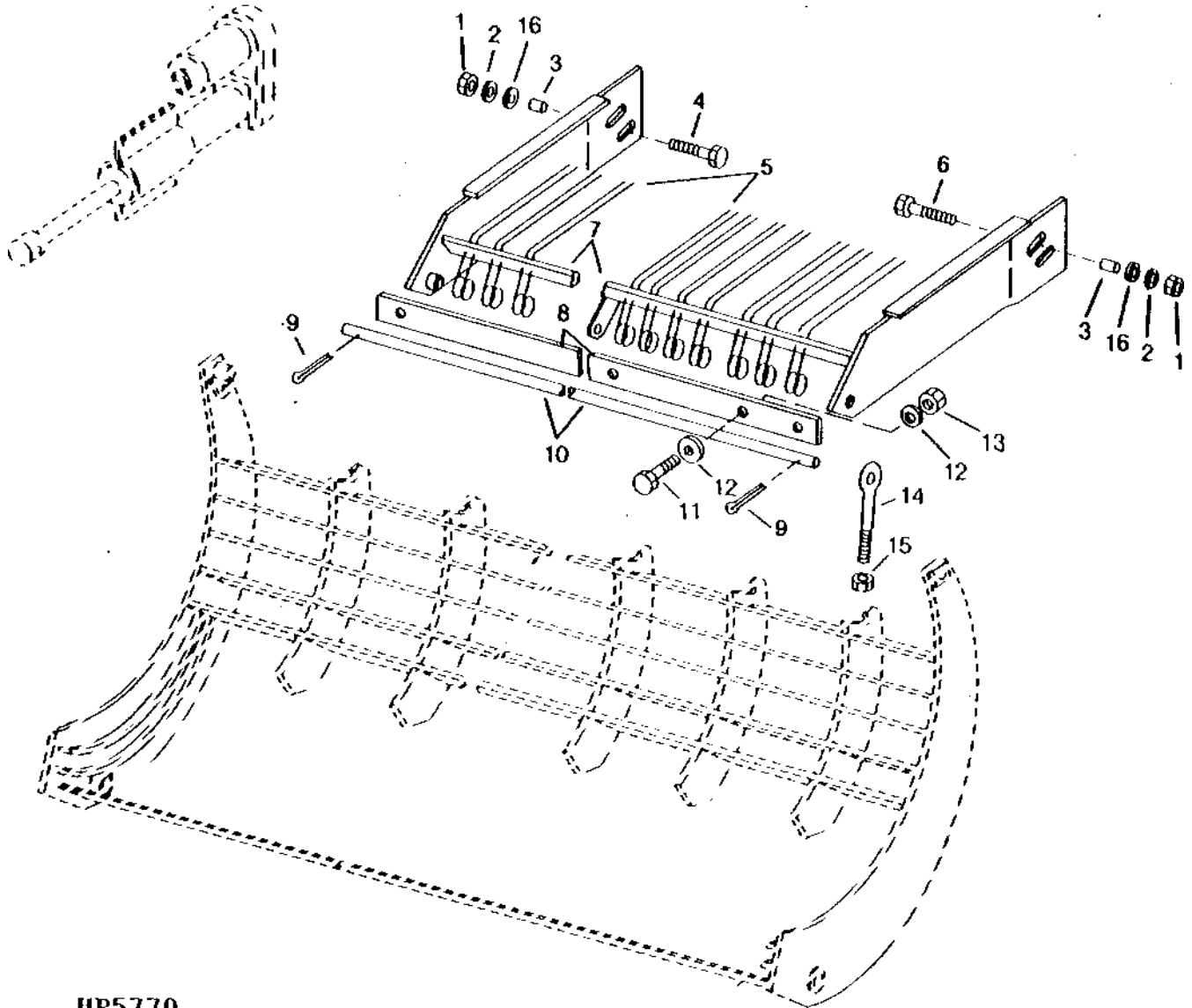
SPIKE TOOTH CONCAVE - CONTINUED

KEY	PART NO.	PART NAME	QTY	SERIAL NO.	S H 9 5 0 0	REMARKS
1	H132541	SCREW	1		X X	
2	28H1597	WASHER	1		X X	0.546" X 0.840" X 3/8"
3	19M8060	SCREW	2	-641524	X X	M20 X 45, (SUB 19M7597)
	19M7597	CAP SCREW	2	641525-	X X	M20 X 50
4	H143610	EYEBOLT	2		X X	(SUB FOR H115179)
5	H146318	ADJUSTING STRAP	1		X X	(SUB FOR H135246 OR H146389)
6	AH135240	CAM	1		X X	(SUB FOR AH134431)
7	28H2642	SPACER	1		X X	0.546" X 0.840" X 2-1/2"
8	19M7819	SCREW	1		X X	M12 X 90
9	14M7296	FLANGE NUT	4		X X	M10
10	H134816	SPACER	1		X X	
11	24H1351	WASHER	2	-5FEB96	X X	9/16" X 1-1/2" X 0.164"
	24M7101	WASHER	2	5FEB96-	X X	11 X 34 X 3 MM
12	H133633	SEAL	2		X X	
13	14M7300	FLANGE NUT	4		X X	M20
14	H137204	BUSHING	4		X X	
15	AH127829	LINK	2		X X	
16	H131986	COVER	1		X X	L.H.
17	H137203	BOLT	2		X X	
18	H131987	COVER	1		X X	
19	H119642	EYEBOLT	1		X X	
20	AH133157	CAM	1		X X	(SUB FOR H132820)
..	P5403H	TOOL	1		X X	

8H1

THRESHING AND SEPARATION

SPIKE-TOOTH FINGER GRATE
HP5770 -UN-01JAN94



HP5770

8H2

THRESHING AND SEPARATION

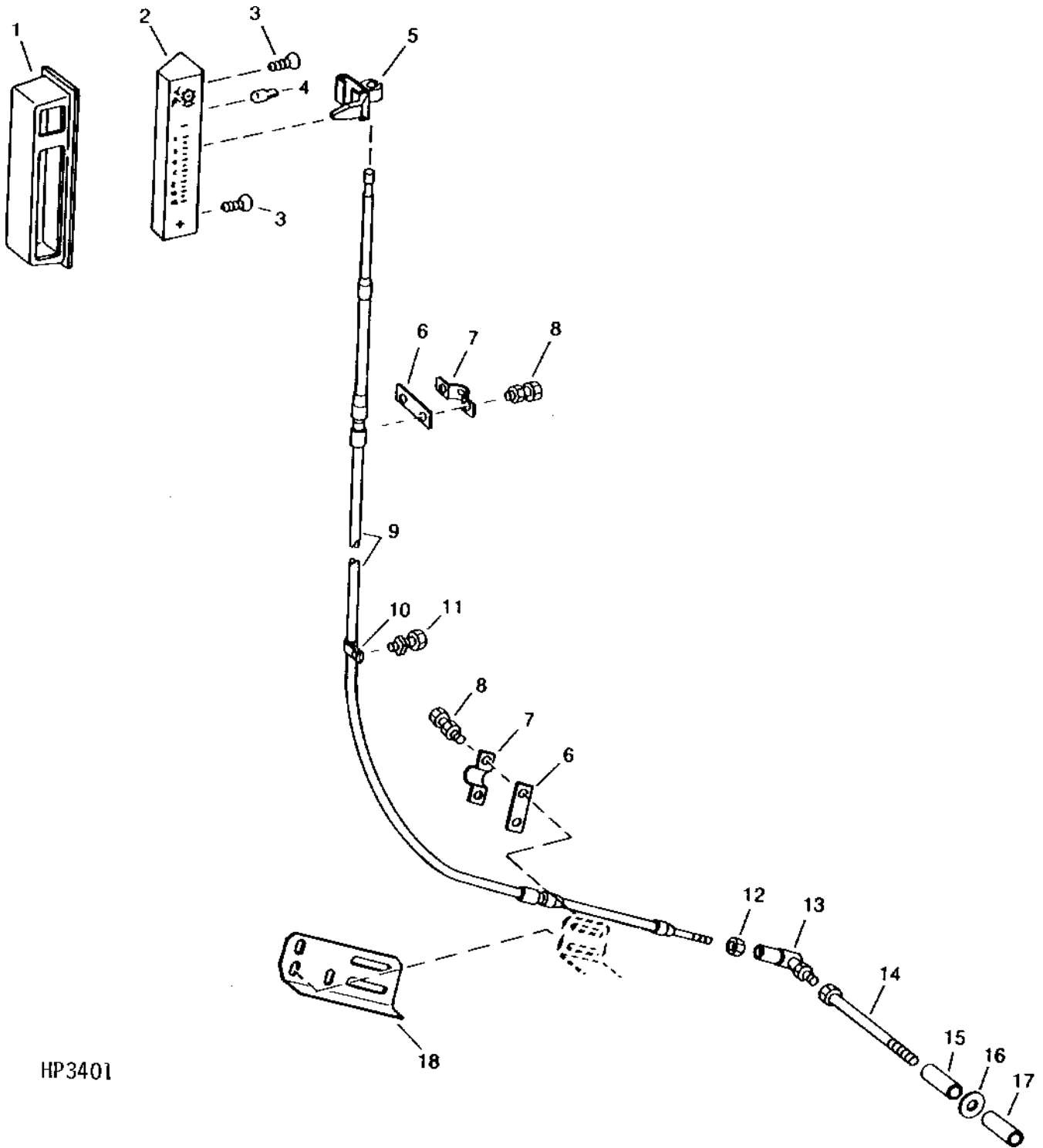
SPIKE-TOOTH FINGER GRATE - CONTINUED

KEY	PART NO.	PART NAME	QTY	SERIAL NO.	S H 9 5 0 0	REMARKS
1	14M7299	FLANGE NUT	2		X X	M12
2	12H301	LOCK WASHER	2		X X	1/2"
3	M44269	BUSHING	2		X X	
4	19M7791	SCREW	1	-655864	X X	M12 X 40
	19M7813	SCREW	1	655865-	X X	M12 X 45
5	H134758	FINGER	AR		X X	
6	19M8306	SCREW	1	-640200	X	M12 X 50
	19M7791	SCREW	1	640201-655864	X X	M12 X 40
	19M7813	SCREW	1	655865-	X X	M12 X 45
7	AH130906	SUPPORT	1		X X	
8	H135158	COVER	1		X X	
9	11M7015	COTTER PIN	2		X X	3.200 X 25 MM
10	H134757	PIN	1		X X	
11	03M7193	BOLT	4		X X	M10 X 35
12	24H1311	WASHER	8		X X	13/32" X 1-1/4" X 0.220"
13	14M7296	FLANGE NUT	4		X X	M10
14	H144742	EYEBOLT	2		X X	(SUB FOR H127006)
15	14M7400	LOCK NUT	2		X X	M10
16	24H1226	WASHER	2	655791-	X X	

8H3

CONCAVE INDICATOR, CABLE AND BRACKETS

HP3401 -UN-01JAN94



HP3401

8H4

THRESHING AND SEPARATION

CONCAVE INDICATOR, CABLE AND BRACKETS - CONTINUED

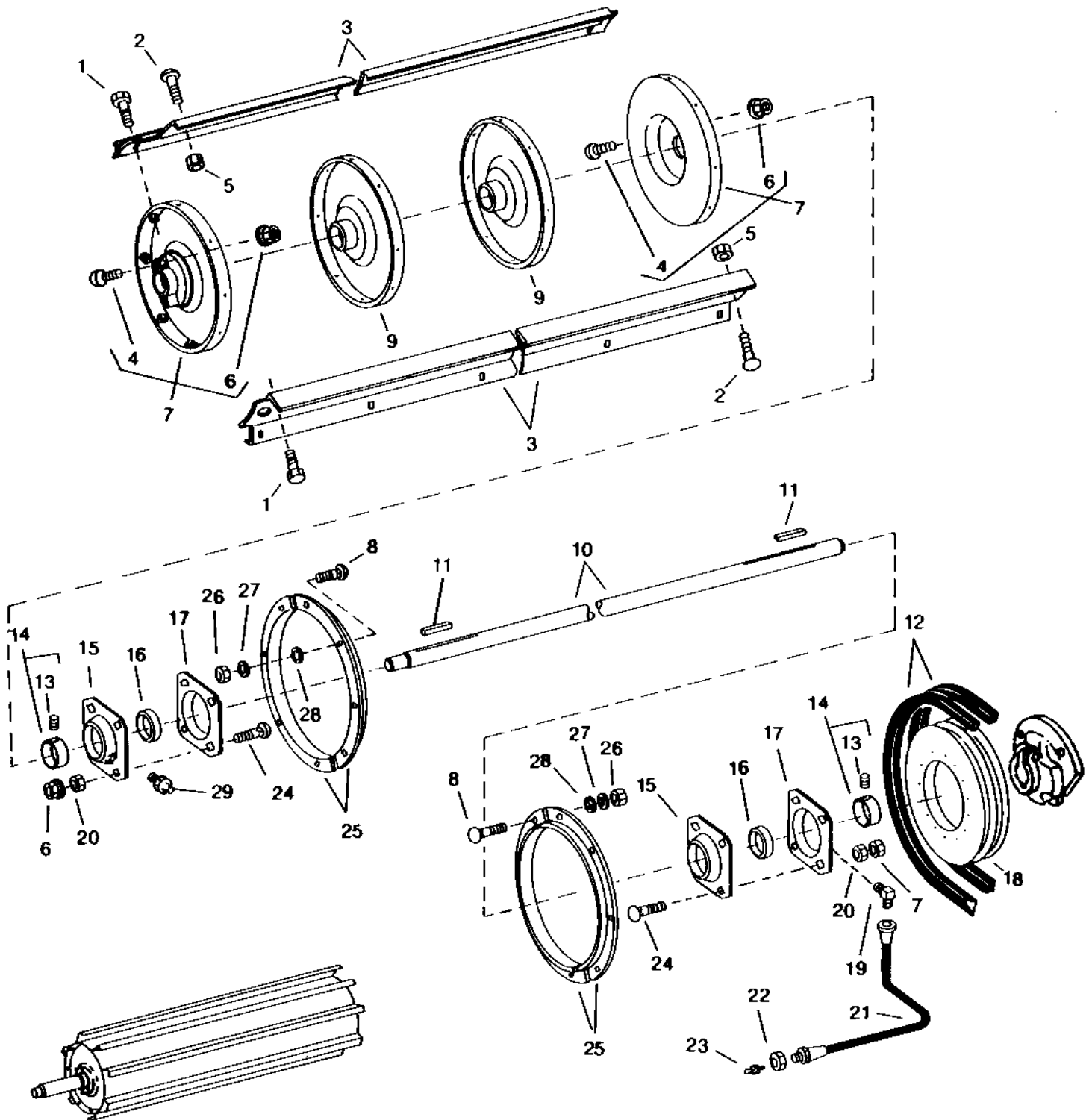
KEY	PART NO.	PART NAME	QTY	SERIAL NO.	S H 9 5 0 0	REMARKS
1	H128999	HOUSING	1		X X	
2	AH141030	LENS	1		X X	(SUB FOR AH124472)
3	H118166	SCREW	2		X X	
4	AH114882	BULB	1	-29SEP7	X X	
5	H129179	GAUGE	1		X X	
6	H120801	STRAP	2		X X	
7	H120800	CLAMP	2		X X	
8	03M7166	BOLT	4		X X	M5 X 16
	14M7297	NUT	4		X X	M5
9	AH124573	CABLE	1		X X	
10	M47566	CLIP	1		X X	
11	19M7862	SCREW	1		X X	M6 X 20
	14M7162	NUT	1		X X	M6
12	14M7297	NUT	1		X X	M5
13	AH129272	BALL JOINT	1		X X	
14	H132541	SCREW	1		X X	
15	28H2618	BUSHING	1		X X	
	28H1597	WASHER	1		X X	0.546" X 0.840" X 3/8" (SPIKE TOOTH ONLY)
16	24H1347	WASHER	1		X X	17/32" X 2" X 0.194"
17	28H950	BUSHING	1		X X	
	28H1601	BUSHING	1		X X	(SPIKE TOOTH ONLY)
18	H132540	BRACKET	1		X X	(SPIKE TOOTH ONLY)

8H5

THRESHING AND SEPARATION

BEATER, SHAFT AND DRIVE BELT

HP6100 -UN-27JUN95



HP6100

8H6

THRESHING AND SEPARATION

BEATER, SHAFT AND DRIVE BELT - CONTINUED

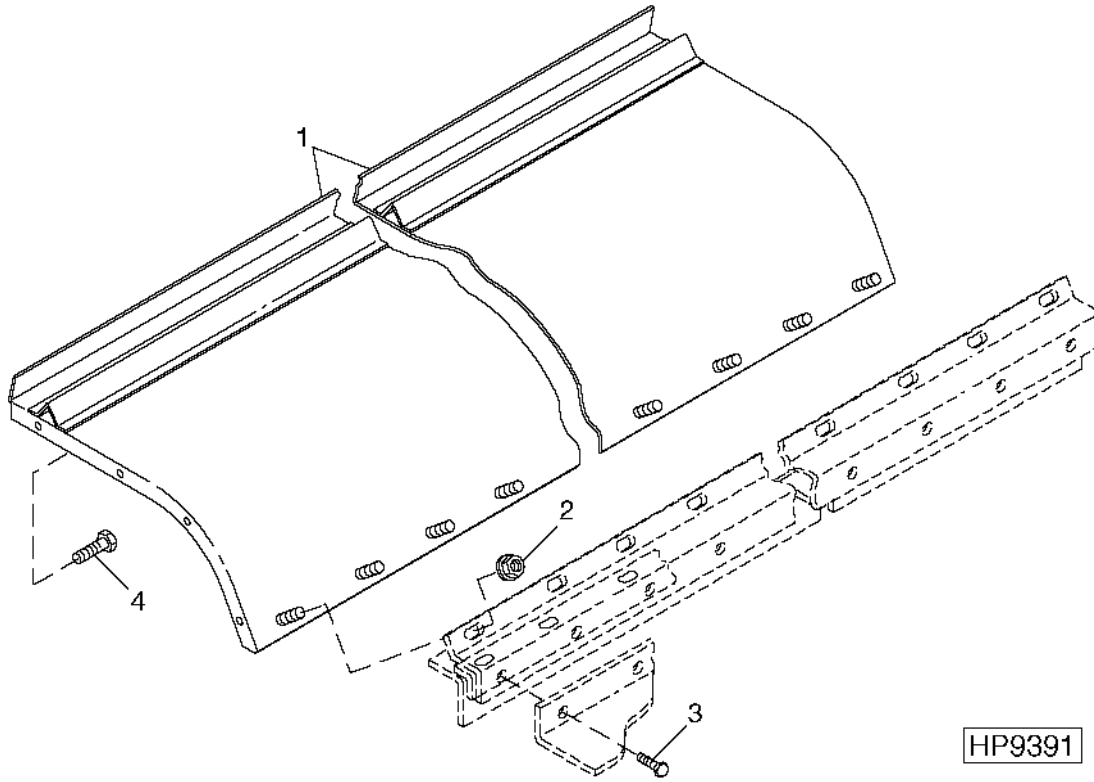
KEY	PART NO.	PART NAME	QTY	SERIAL NO.	REMARKS
1	19M7784	SCREW	24		M10 X 20
2	03M7190	BOLT	48		M10 X 20
3	H147789	BLADE	8		(SUB FOR H133649)
4	03M7201	BOLT	2		M12 X 45
5	14M7296	FLANGE NUT	48		M10
6	14M7299	FLANGE NUT	2		M12
7	AH128360	BEATER HEAD	2		
8	03M7185	BOLT	24		M8 X 25
9	AH128361	BEATER HEAD	1		
10	H126941	SHAFT	1		
11	SHAFT KEY	1	-660558	(CUT FROM H150270) 10 X 8 X 50 MM
	49M4121	SHAFT KEY	2	660559-	
12	AH139436	BELT SET	1		(SUB FOR AH120918) FOR 100 PERCENT BEATER DRIVE
	AH131960	BELT	1		FOR 75 PERCENT BEATER DRIVE
13	22H979	SET SCREW	1		3/8" X 3/8"
14	JD9201	ECCENTRIC LOCKING COLLAR	2		
15	H113625	PRESSED FLANGED HOUSING	2		
16	JD9434	BEARING	2		
17	H113626	PRESSED FLANGED HOUSING	2		
18	H125558	SHEAVE	1		FOR 100 PER CENT BEATER DRIVE
	H135850	SHEAVE	1		FOR 75 PER CENT BEATER DRIVE
19	JD7845	ELBOW FITTING	2		L H
20	H143731	NUT	8		
21	AH121009	HOSE	2		1/8" X 910 MM (35-3/4") X 1/8", L H
22	E12379	NUT	2		L H
23	JD7759	LUBRICATION FITTING	2		L H
24	03M7197	BOLT	8	-641948	M12 X 25
	03M7198	BOLT	8	641949-	M12 X 30
25	H130572	SEAL	4		
26	14M7298	FLANGE NUT	24		M8
27	12H303	LOCK WASHER	24		5/16"
28	24M7055	WASHER	16		8.400 X 16 X 1.600 MM
29	JD7788	LUBRICATION FITTING	1		R H

8H7

THRESHING AND SEPARATION

BEATER COVER

HP9391 -UN-06DEC99



HP9391

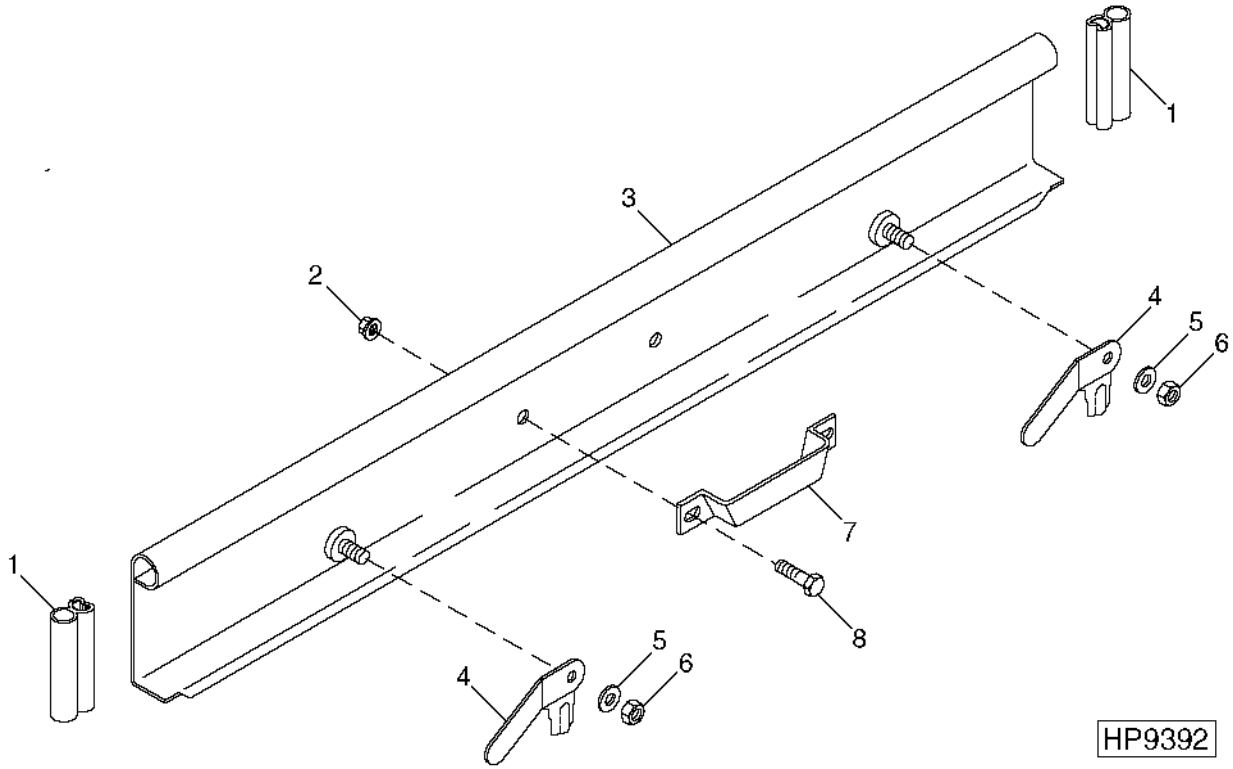
KEY	PART NO.	PART NAME	QTY	SERIAL NO.	S H 9 5 0 0	REMARKS
1	AH121997	COVER	1		X X	
2	14M7298	FLANGE NUT	6		X X	M8
3	37M7080	SCREW	10		X X	M10 X 30
4	37M7058	SCREW	8		X X	M8 X 20

8H8

THRESHING AND SEPARATION

SHOE GRAIN SUPPLY AUGER CLEANOUT DOOR, HANDLE AND LATCHES

HP9392 -UN-06DEC99



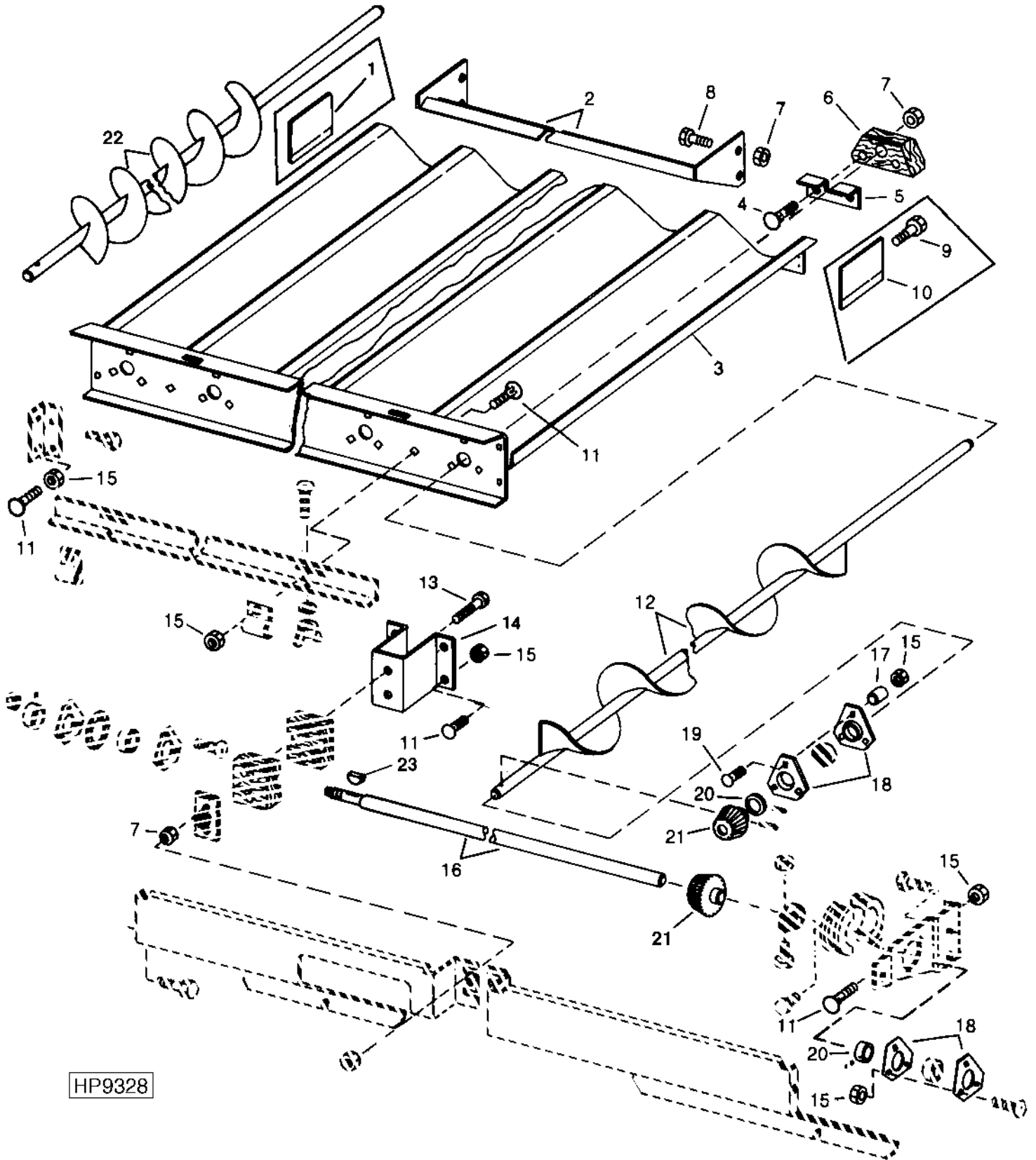
HP9392

KEY	PART NO.	PART NAME	QTY	SERIAL NO.	S H 9 9 5 5 0 0 0 0	REMARKS
1	H131108	ISOLATOR	2		X X	
2	14M7298	FLANGE NUT	2		X X	M8
3	AH126119	DOOR	1		X X	
4	H127532	HANDLE	2		X X	
5	24M7207	WASHER	2		X X	8.400 X 24 X 2 MM
6	14M7396	LOCK NUT	2		X X	M8
7	H85184	HANDLE	1		X X	
8	19M7865	SCREW	2		X X	M8 X 16

8H9

THRESHING AND SEPARATION

SHOE GRAIN SUPPLY AUGERS AND HOUSING
HP9328 -UN-23NOV99



HP9328

8H10

THRESHING AND SEPARATION

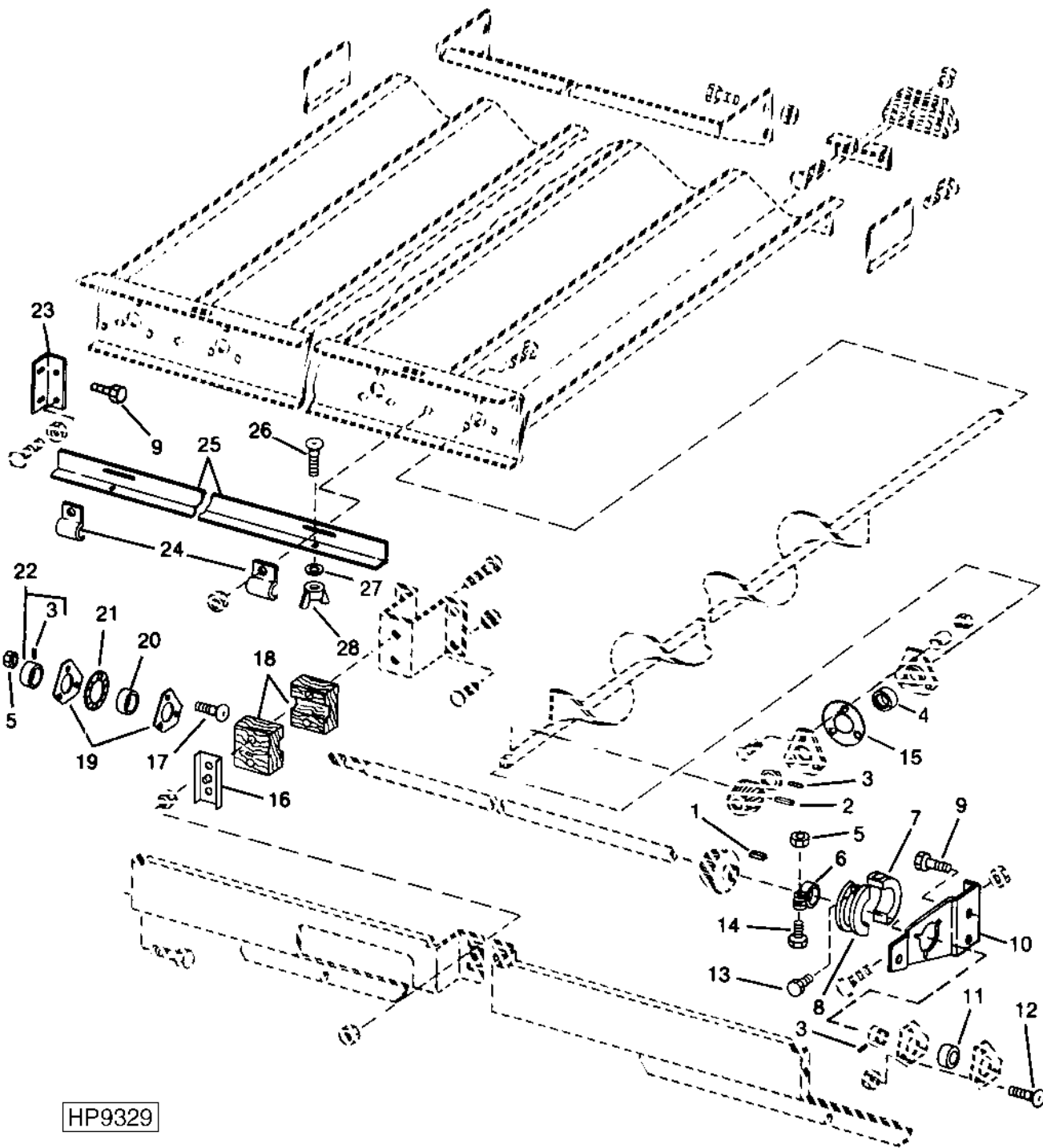
SHOE GRAIN SUPPLY AUGERS AND HOUSING - CONTINUED

KEY	PART NO.	PART NAME	QTY	SERIAL NO.	S H 9 5 0 0	REMARKS
1	H134029	DEFLECTOR	1	-665200	X X	
2	AH126191	SUPPORT	1		X X	
3	AH130123	TROUGH	1	-665200	X X	
4	AH146655	TROUGH	1	665201-	X X	
	03M7216	BOLT	AR	-666034	X X	M8 X 50
	03M7267	BOLT	AR	666035-	X X	M8 X 80
5	H142189	STRIPPER	AR		X X	(SUB FOR H134357)
6	H142188	BEARING	AR		X X	(SUB FOR H131336) ADD GREASE TO BLOCK BEFORE ASSEMBLY
	AH139342	BEARING KIT	1		X X	EXTENSIVE WEAR KIT (7 AUGER BEARINGS)
7	14M7396	LOCK NUT	17		X X	M8
8	19M7867	SCREW	4		X X	M8 X 25
9	37M7090	SCREW	4	-665200	X X	M6 X 16
10	H134028	DEFLECTOR	1	-665200	X X	
11	03M7183	BOLT	AR		X X	M8 X 16
12	AH130424	AUGER	3		X X	R.H. FLIGHTING
13	19M8039	SCREW	2		X X	M8 X 80
14	H91205	BRACKET	1		X X	
15	14M7298	FLANGE NUT	25		X X	M8
16	H135422	DRIVE SHAFT	1		X X	
17	28H1720	BUSHING	AR		X X	
18	H103264	PRESSED FLANGED HOUSING	14		X X	
19	03M7189	BOLT	AR		X X	M8 X 45
20	JD8554	ECCENTRIC LOCKING COLLAR	7		X X	
21	H137215	GEAR	12		X X	(SUB FOR H75406)
22	AH130425	AUGER	3		X X	L.H. FLIGHTING
23	26M4226	SHAFT KEY	2		X X	5 X 19 MM (0.197" X 0.748") WOODRUFF
..	TY6333	GREASE	1		X X	

8H11

THRESHING AND SEPARATION

SHOE GRAIN SUPPLY AUGERS AND HOUSING
HP9329 -UN-23NOV99



HP9329

8H12

THRESHING AND SEPARATION

SHOE GRAIN SUPPLY AUGERS AND HOUSING - CONTINUED

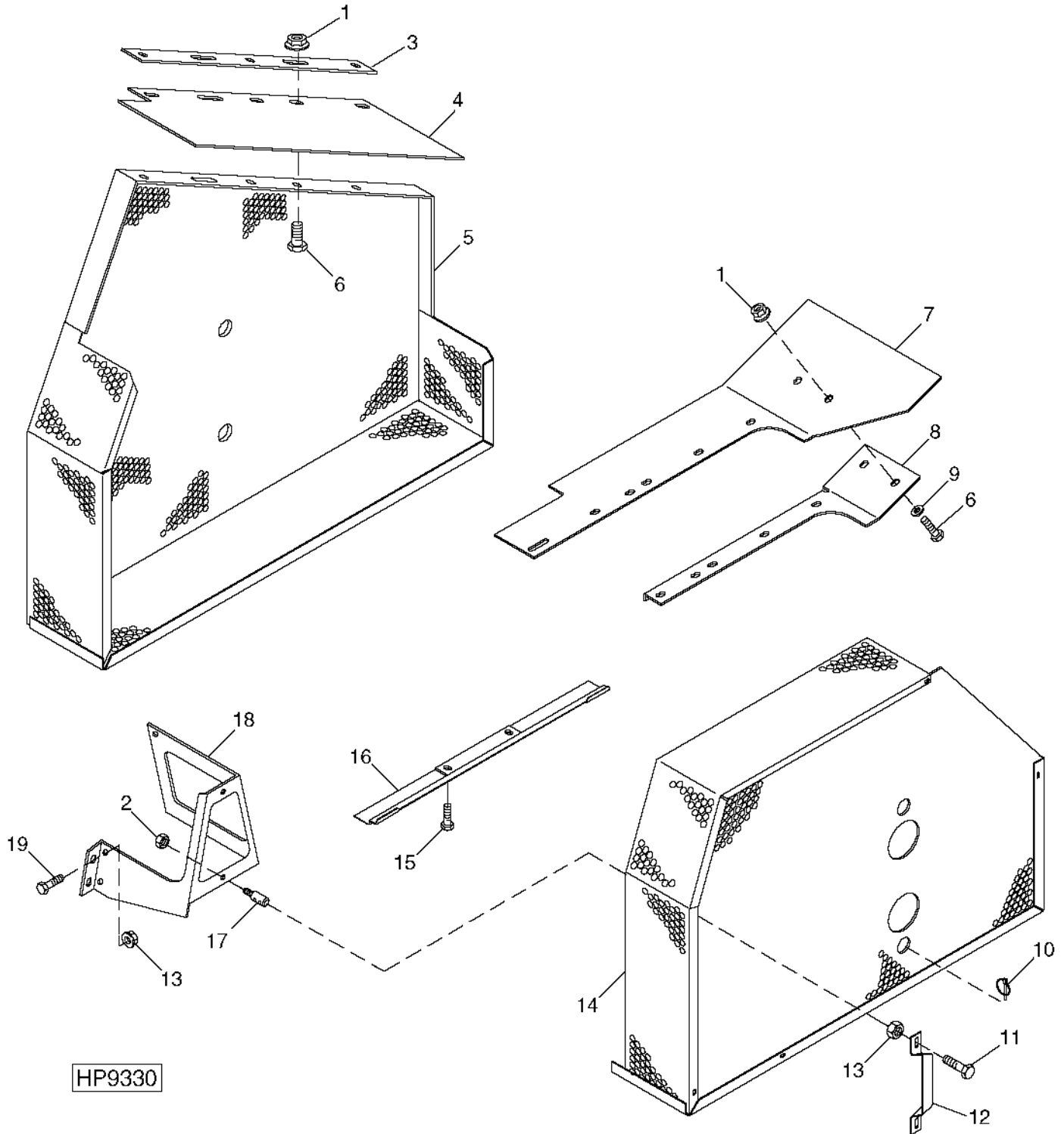
KEY	PART NO.	PART NAME	QTY	SERIAL NO.	S H 9 5 0 0	REMARKS
1	SHAFT KEY	AR		X X	(MAKE FROM H64374)
2	34H119	SPRING PIN	AR		X X	
3	SET SCREW	1		X X	
4	JD9273	BALL BEARING	AR		X X	
5	14M7296	FLANGE NUT	10		X X	M10
6	H145112	CLAMP	7		X X	
7	H104795	ACTUATOR	1		X X	
8	H104796	ACTUATOR	1		X X	
9	19M7866	SCREW	4		X X	M8 X 20
10	H127524	BRACKET	1		X X	
11	JD8665	BALL BEARING	1		X X	
12	03M7184	BOLT	3		X X	M8 X 20
13	21H1419	SCREW	1		X X	0.190" X 1"
14	19M7358	CAP SCREW	AR	-641948	X	M10 X 40
	19M7572	CAP SCREW	AR	641949-	X X	M10 X 45
15	H36155	SHIM	1	661308-	X X	0.762 MM
16	AH155275	FITTING	1		X X	(SUB FOR H83089 AND JD7767 OR AH142370)
17	03M7191	BOLT	3		X X	M10 X 25
18	H135475	BEARING	2		X X	
19	E10018	PRESSED FLANGED HOUSING	2		X X	
20	AH129451	BALL BEARING	1		X X	
21	H102533	SHIM	1		X X	
22	AH129452	ECCENTRIC LOCKING COLLAR	1		X X	
23	H127525	ANGLE	1		X X	
24	H94167	CLAMP	2		X X	
25	H134025	SHEET	1		X X	
26	03M7221	BOLT	2		X X	M6 X 16
27	24M7139	WASHER	2		X X	6.400 X 18 X 1.600 MM
28	14M7019	WING NUT	2		X X	M6
..	TY6333	GREASE	1		X X	

8H13

THRESHING AND SEPARATION

CLEANING FAN LEAF SCREENS (CORN)

(660999-)
HP9330 -UN-23NOV99



HP9330

8H14

THRESHING AND SEPARATION

CLEANING FAN LEAF SCREENS (CORN) - CONTINUED
(660999-)

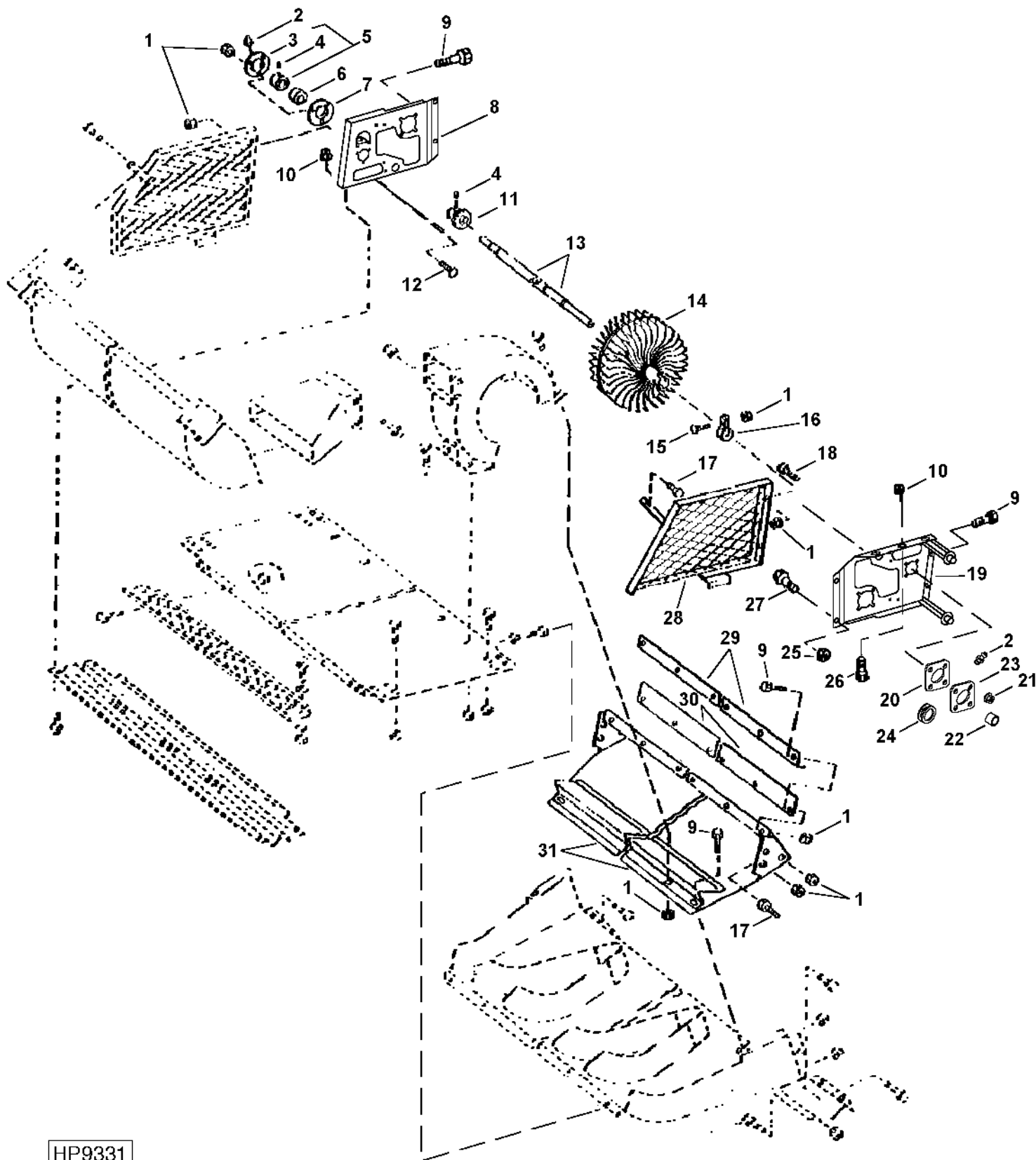
KEY	PART NO.	PART NAME	QTY	SERIAL NO.	S H 9 5 0 0 0 0	REMARKS
1	14M7298	FLANGE NUT	AR		X X	M8, R.H.
2	14M7294	NUT	2		X X	M10
3	H150911	SEAL	1	-665200	X X	
	H154763	SEAL	1	665201-	X X	
4	H154762	SEAL	1		X X	(SUB FOR H150909)
5	AH148107	SCREEN	1	665201-	X X	(SUB FOR AH144827) R.H.
6	19M7784	SCREW	12	-665200	X X	M10 X 20
	19M7866	SCREW	12	665201-	X X	M8 X 20, R.H.
7	H150910	SEAL	1		X X	
8	H153520	REINFORCEMENT	1		X X	(SUB FOR H151764)
9	24H1307	WASHER	2		X X	10.312 X 25.400 X 1.600 MM
10	M72598	QUICK LOCK PIN	2		X X	
11	03M7183	BOLT	8	-665200	X X	M8 X 16
	19M7866	SCREW	6	665201-	X X	M8 X 20
12	H85184	HANDLE	4		X X	
13	14M7298	FLANGE NUT	10		X X	M8
14	AH147201	SCREEN	1		X X	(SUB FOR AH146196) L.H.
15	19M7898	SCREW	4		X X	M10 X 130
16	AH132356	CLIP	2		X X	SHIELD
17	H154757	STUD	2		X X	(SUB FOR H141975) SHOULDERED
18	H146757	BRACKET	1		X X	
19	19M7866	SCREW	2		X X	M8 X 20
..	BH81006	COMPLETE GOODS/SHIP. BUNDLE	1		X X	CORN LEAF SCREENS

8H15

THRESHING AND SEPARATION

CLEANING FANS AND SHROUDS

HP9331 -UN-22NOV99



HP9331

8H16

THRESHING AND SEPARATION

CLEANING FANS AND SHROUDS - CONTINUED

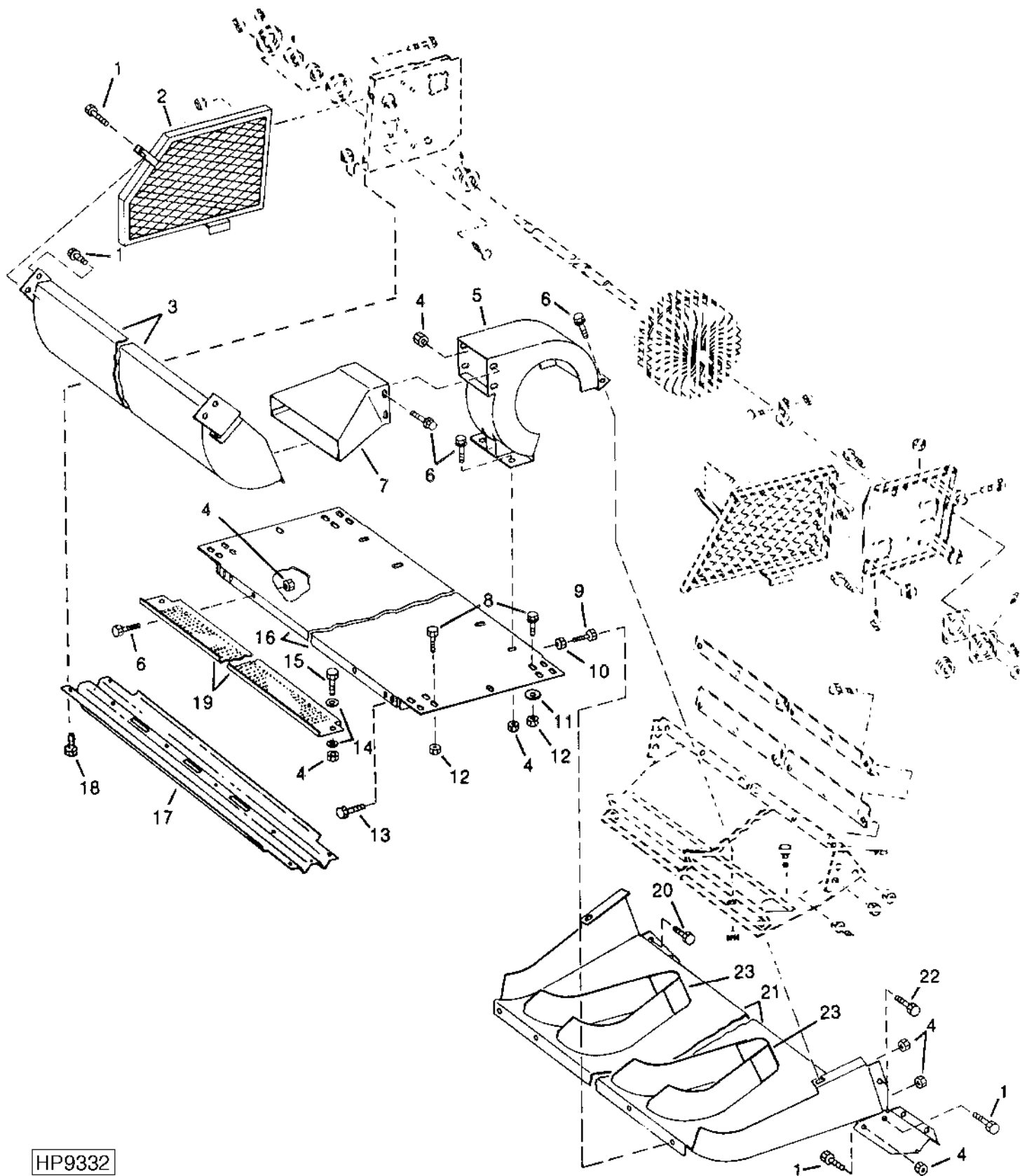
KEY	PART NO.	PART NAME	QTY	SERIAL NO.	S H 9 5 0 0	REMARKS
1	14M7298	FLANGE NUT	AR		X X	M8
2	JD7788	LUBRICATION FITTING	2		X X	
3	AE26118	PRESSED FLANGED HOUSING	1		X X	
4	22M7027	SET SCREW	2		X X	M6 X 16
5	AZ10044	ECCENTRIC LOCKING COLLAR	1		X X	
6	JD9490	BALL BEARING	1		X X	
7	N52258	PRESSED FLANGED HOUSING	1		X X	
8	H150091	BRACKET	1		X X	(SUB FOR H134213 OR H146754)
9	19M7865	SCREW	AR		X X	
10	14M7400	LOCK NUT	4		X X	M10
11	H122372	WHEEL	2		X X	
12	03M7185	BOLT	3		X X	M8 X 25
13	H135396	SHAFT	1		X X	
14	H130355	ROTOR	4		X X	
15	03M7189	BOLT	8	-646606	X X	
	03M7188	BOLT	8	646607-671527	X X	
	03M7216	BOLT	8	671528-	X X	
16	H130695	CLAMP	8		X X	(SUB FOR H144467)
17	19M7867	SCREW	AR		X X	M8 X 25
18	03M7198	BOLT	4		X X	
19	AH149328	BRACKET	1		X X	(INCLUDES H150092) (SUB FOR AH131319, AH140620 OR AH144079) L.H. BEARING
20	H113625	PRESSED FLANGED HOUSING	1		X X	
21	14M7299	FLANGE NUT	AR		X X	M12
22	AL14674	ECCENTRIC LOCKING COLLAR	1		X X	
23	H113626	PRESSED FLANGED HOUSING	1		X X	
24	AH139297	BALL BEARING	1		X X	
25	14M7396	LOCK NUT	AR		X X	M8
26	19M7898	SCREW	4	-665452	X X	M10 X 130
	19M7944	SCREW	4	665453-	X X	M10 X 120
27	19M7803	SCREW	4		X X	M8 X 70
28	AH130988	SHIELD	1		X	L.H.
	AH137680	SHIELD	1		X	
29	H134308	REINFORCEMENT	1		X X	(SUB FOR H75951)
30	H133081	SEAL	1		X X	
31	AH128313	AIR DUCT	1		X X	
..	BH80129	COMPLETE GOODS/SHIP. BUNDLE	1		X	CLEANING FAN SHIELDS
..	BH80144	COMPLETE GOODS/SHIP. BUNDLE	1		X	CLEANING FAN SHIELDS

8H17

THRESHING AND SEPARATION

CLEANING FANS AND SHROUDS

HP9332 -UN-22NOV99



HP9332

8H18

THRESHING AND SEPARATION

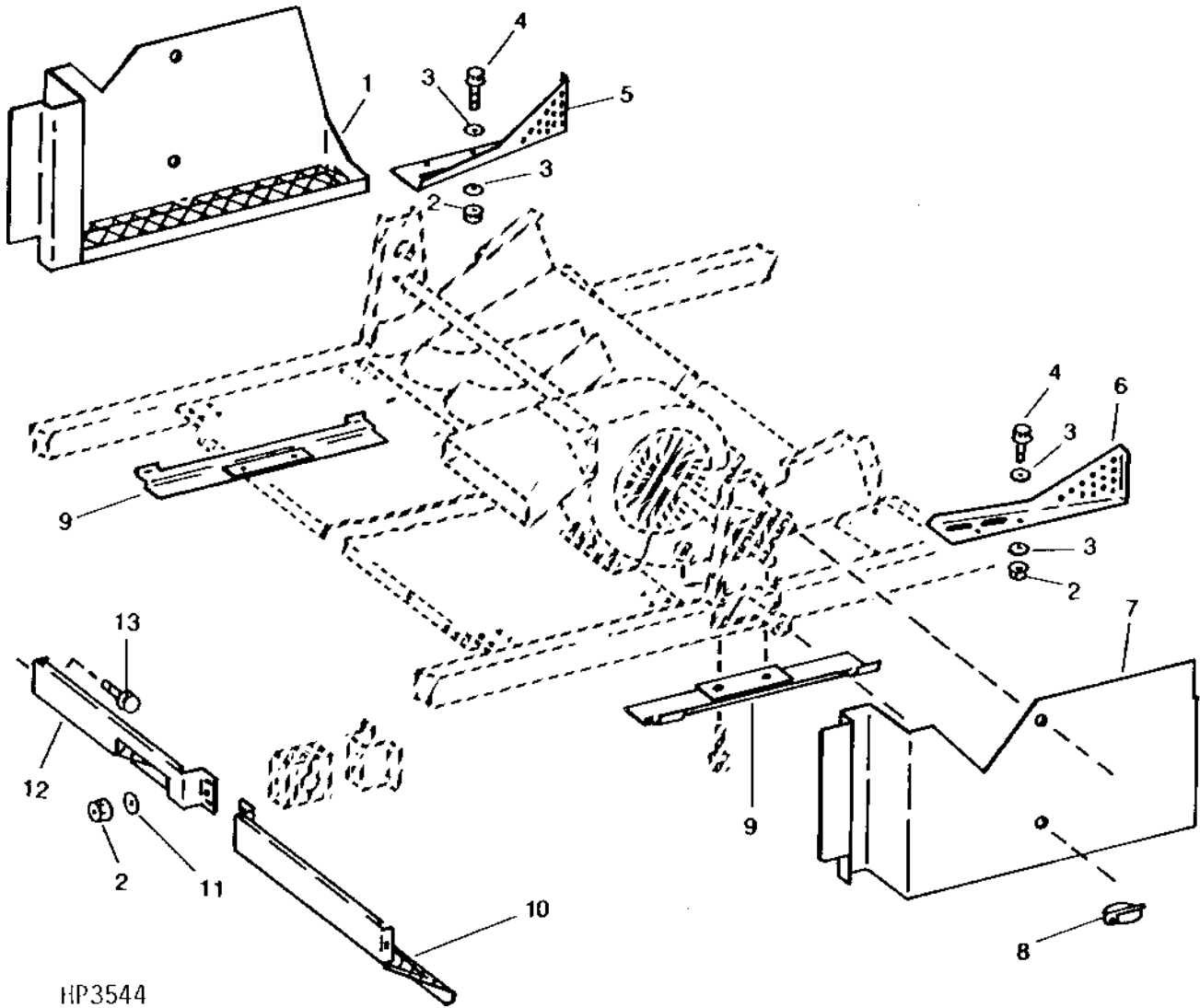
CLEANING FANS AND SHROUDS - CONTINUED

KEY	PART NO.	PART NAME	QTY	SERIAL NO.	S H 9 5 0 0	REMARKS
1	19M7867	SCREW	AR		X X	M8 X 25
	37M7083	SCREW	4		X X	M8 X 12, (USED ON AIR DUCT)
2	AH127726	SHIELD	1		X	R.H.
	AH137679	SHIELD	1		X	
3	AH126214	AIR DUCT	1		X X	
4	14M7298	FLANGE NUT	AR		X X	M8
5	AH163762	HOUSING	4		X X	(SUB FOR AH125692 AND AH128618)
6	19M7865	SCREW	AR		X X	M8 X 16
7	AH163762	HOUSING	4		X X	(SUB FOR AH125692 AND AH128618)
8	19M7818	SCREW	AR		X X	M12 X 80
9	19M7866	SCREW	AR		X X	M8 X 20
10	14M7396	LOCK NUT	AR		X X	M8
11	28H2611	SPACER	18		X X	
12	14M7299	FLANGE NUT	AR		X X	M12
13	19M7789	SCREW	4		X X	M12 X 30
14	24M7207	WASHER	4		X X	8.400 X 24 X 2 MM
15	19M7868	SCREW	2		X X	
16	AH149879	SUPPORT	1		X X	(SUB FOR AH128307)
17	H134996	PLATE	1	-666825	X X	(FOR CORN AND GRAIN ONLY)
	H157282	PLATE	1	666826-	X X	(CORN AND GRAIN ONLY)
	H137389	PLATE	1		X X	(FOR RICE ONLY)
18	19M7898	SCREW	4		X X	M10 X 130
19	H144558	SHIELD	1		X X	(SUB FOR AH132827)
20	19M8039	SCREW	AR		X X	M8 X 80
21	AH130477	AIR DUCT	1		X X	
22	19M7800	SCREW	2		X X	
23	AH138384	MOUNTING PARTS	1		X X	CONTAINS (3) COVERS
..	BH80129	COMPLETE GOODS/SHIP. BUNDLE	1		X	CLEANING FAN SHIELDS
..	BH80144	COMPLETE GOODS/SHIP. BUNDLE	1		X	CLEANING FAN SHIELDS

8H19

THRESHING AND SEPARATION

CLEANING FAN INTAKE SHIELDS
(OPTIONAL) (-643087)
HP3544 -UN-01JAN94



HP3544

8H20

THRESHING AND SEPARATION

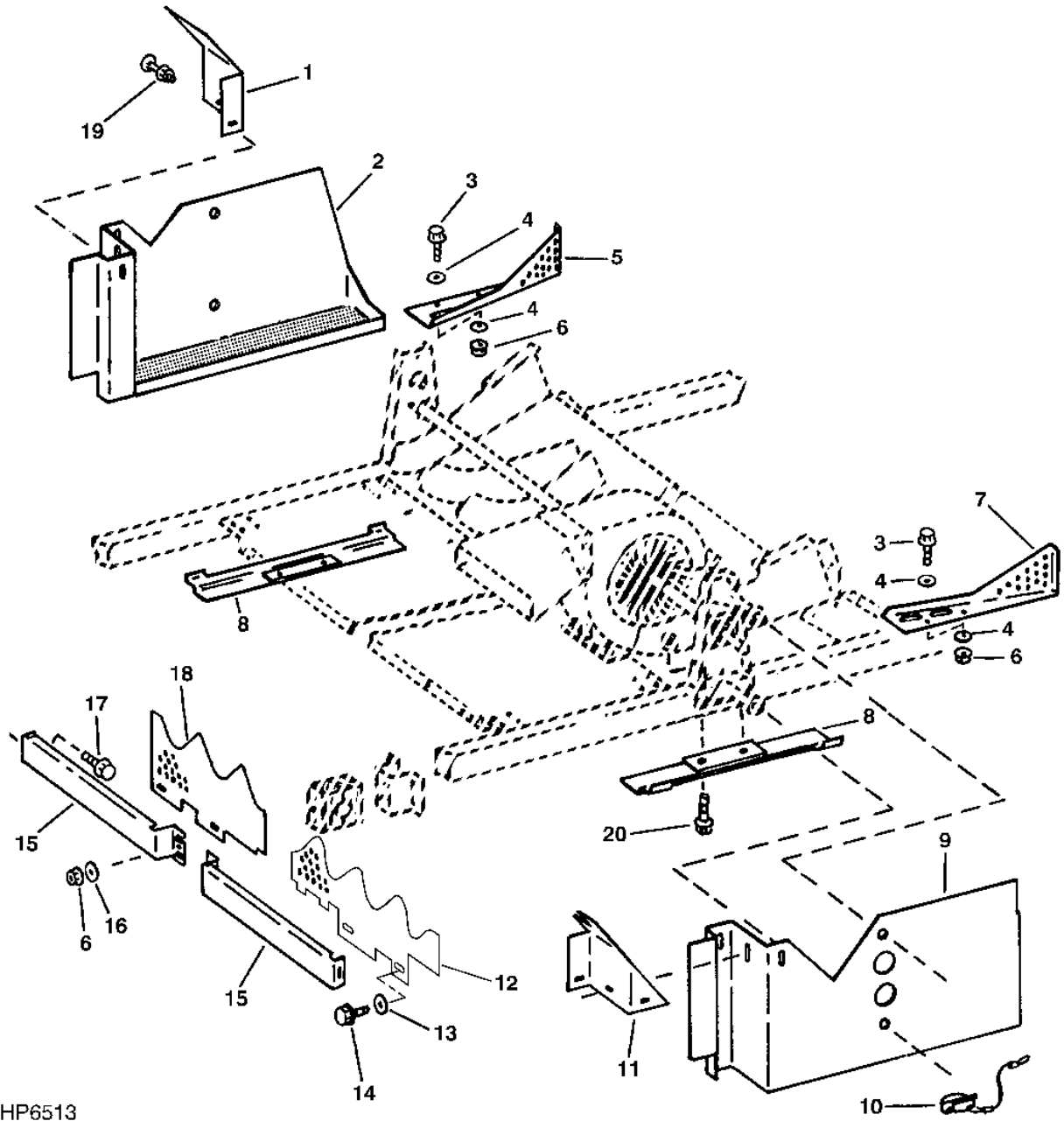
CLEANING FAN INTAKE SHIELDS - CONTINUED
(OPTIONAL) (-643087)

KEY	PART NO.	PART NAME	QTY	SERIAL NO.	S H 9 5 0 0 0 0	REMARKS
1	AH132860	SHIELD	1	-641842	X	(SUB AH138374) RIGHT-HAND
	AH138374	SHIELD	1		X	
2	14M7298	FLANGE NUT	4		X	M8
3	24M7207	WASHER	4		X	8.400 X 24 X 2 MM
4	19M7801	SCREW	2		X	M8 X 60
5	H137348	SHIELD	1	-641842	X	(SUB H145950) RIGHT-HAND
	H145950	SHIELD	1		X	
6	H137347	SHIELD	1	-641842	X	(SUB H145949) LEFT-HAND
	H145949	SHIELD	1		X	
7	AH132859	SHIELD	1	-643087	X	(SUB AH137204) LEFT-HAND
	AH137204	SHIELD	1		X	
8	M72598	QUICK LOCK PIN	4		X	
9	AH132356	CLIP	2		X	(FOR RICE ONLY)
10	AH132157	SHIELD	1	-643087	X	(SUB H134681) LEFT-HAND
	H134681	SHIELD	1		X	
11	24M7055	WASHER	2		X	8.400 X 16 X 1.600 MM
12	AH132158	SHIELD	1	-643087	X	(SUB H134681) RIGHT-HAND
	H134681	SHIELD	1		X	
13	19M7866	SCREW	1		X	M8 X 20, (INTO WELDNUT)
..	BH79685	COMPLETE GOODS/SHIP. BUNDLE	1		X	CLEANING FAN SHIELDS

8H21

THRESHING AND SEPARATION

CLEANING FAN INTAKE SHIELDS
(OPTIONAL) (643088-)
HP6513 -UN-15JUL96



HP6513

8H22

THRESHING AND SEPARATION

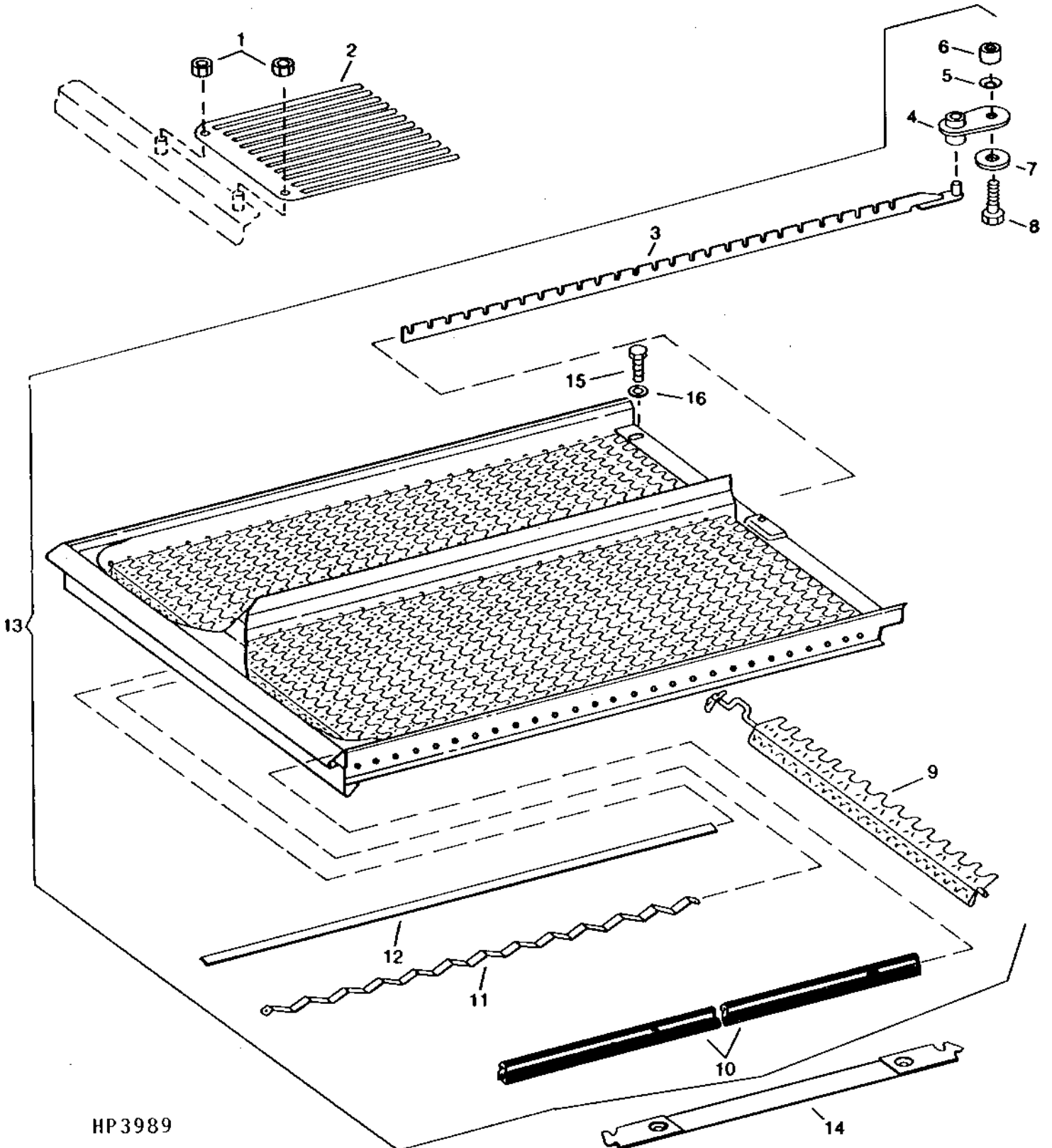
CLEANING FAN INTAKE SHIELDS - CONTINUED
(OPTIONAL) (643088-)

KEY	PART NO.	PART NAME	QTY	SERIAL NO.	REMARKS
				9	
				5	
				9 0	
				5 0	
				0 S	
				0 H	
1	H144556	SHIELD	1	X X	RIGHT-HAND
2	AH138374	SHIELD	1	X X	RIGHT-HAND
3	19M7801	SCREW	2	X X	M8 X 60
4	24M7207	WASHER	4	X X	8.400 X 24 X 2 MM
5	H145950	SHIELD	1	X X	RIGHT-HAND
6	14M7298	FLANGE NUT	4	X X	M8
7	H145949	SHIELD	1	X X	LEFT-HAND
8	AH132356	CLIP	2	X X	(FOR RICE ONLY)
9	AH138375	SHIELD	1	X X	LEFT-HAND
10	AH135290	QUICK LOCK PIN	2	X X	
11	H144557	SHIELD	1	X X	LEFT-HAND
12	H148361	SHIELD	1	X X	(SUB FOR H145899 OR H145975) LEFT-HAND
13	24M7178	WASHER	4	X	10.500 X 30 X 2.500 MM
14	37M7086	SCREW	4	X	M10 X 20, SELF-TAPPING
15	H151897	SHIELD	2	X X	(SUB FOR H134681)
16	24M7055	WASHER	2	X X	8.400 X 16 X 1.600 MM
17	19M7866	SCREW	2	X X	M8 X 20, (INTO WELDNUT)
18	H148362	SHIELD	1	X X	(SUB FOR H145900 OR H145976) RIGHT-HAND
19	03M7183	BOLT	6	X X	M8 X 16
	14M7298	FLANGE NUT	6	X X	M8
20	19M7898	SCREW	4	X X	M10 X 130, (FOR RICE ONLY)
..	BH79685	COMPLETE GOODS/SHIP. BUNDLE	1	X X	CLEANING FAN SHIELDS
..	BH79773	COMPLETE GOODS/SHIP. BUNDLE	1	X X	AXLE TRASH SHIELDS

8H23

THRESHING AND SEPARATION

PRECLEANING CHAFFER
HP3989 -UN-01JAN94



HP3989

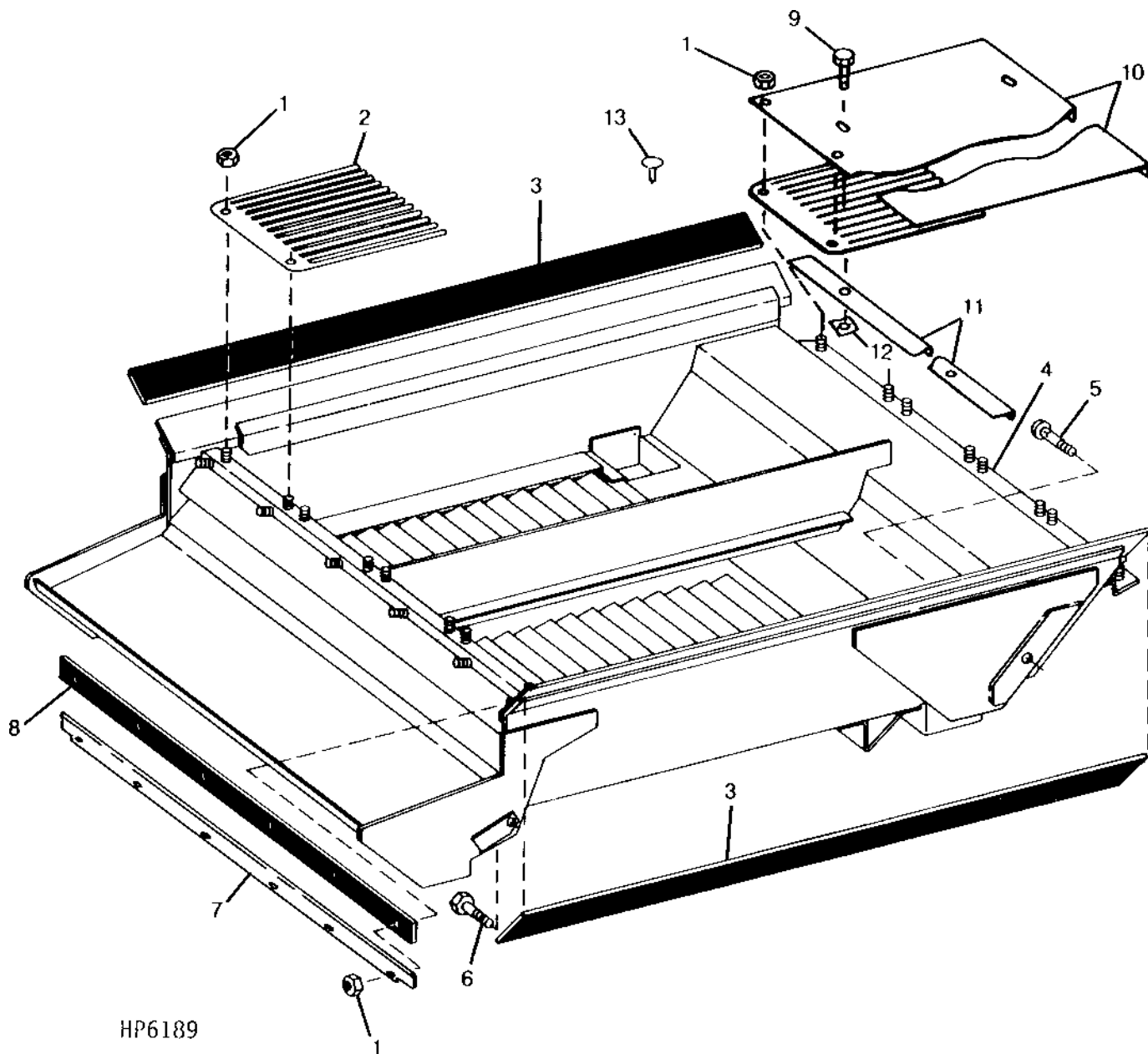
8H24

THRESHING AND SEPARATION

PRECLEANING CHAFFER - CONTINUED

KEY	PART NO.	PART NAME	QTY	SERIAL NO.	S H 9 5 0 0	REMARKS
1	14M7396	LOCK NUT	AR		X X	M8
2	H132160	FINGER	AR	-670201	X X	(12 FINGER)
	H132161	FINGER	AR	-670201	X X	(15 FINGER)
	H156717	FINGER	AR		X X	(12 FINGER)
	H156718	FINGER	AR		X X	(15 FINGER)
3	AH130186	STRIP	1		X X	(12 FINGER)
4	AH122080	LINK	1		X X	
5	H126934	WASHER	2		X X	
6	H126932	NUT	1		X X	
7	H126933	WASHER	1		X X	
8	H110178	SCREW	1		X X	
9	AH130185	LOUVER	26		X X	GENERAL PURPOSE LOUVER
	AH127465	LOUVER	26		X X	DEEP TOOTH LOUVER
10	AH140044	ISOLATOR	2		X X	
11	H132291	LEAF SPRING	2		X X	
12	H132288	STRIP	2		X X	
13	AH149545	PRESCREENER	2		X X	(SUB FOR AH130151 OR AH148508) GENERAL PURPOSE LOUVER
	AH149549	PRESCREENER	2		X X	(SUB FOR AH130154 OR AH148511) DEEP TOOTH LOUVER
	AH131215	CHAFFER	2		X X	FIXED, 3 MM (1/8") ROUND HOLES
	AH127871	CHAFFER	2		X X	STEP PAN SURFACE, NON-PERFORATED
14	AH131213	HANDLE	1	-651725	X X	(SUB H149997)
	H149997	GRIP	1		X X	
15	19M7785	SCREW	3		X X	M10 X 25
16	24H1308	WASHER	3		X X	13/32" X 1" X 0.134"

PRECLEANER CHAFFER FRAME
HP6189 -UN-03OCT95

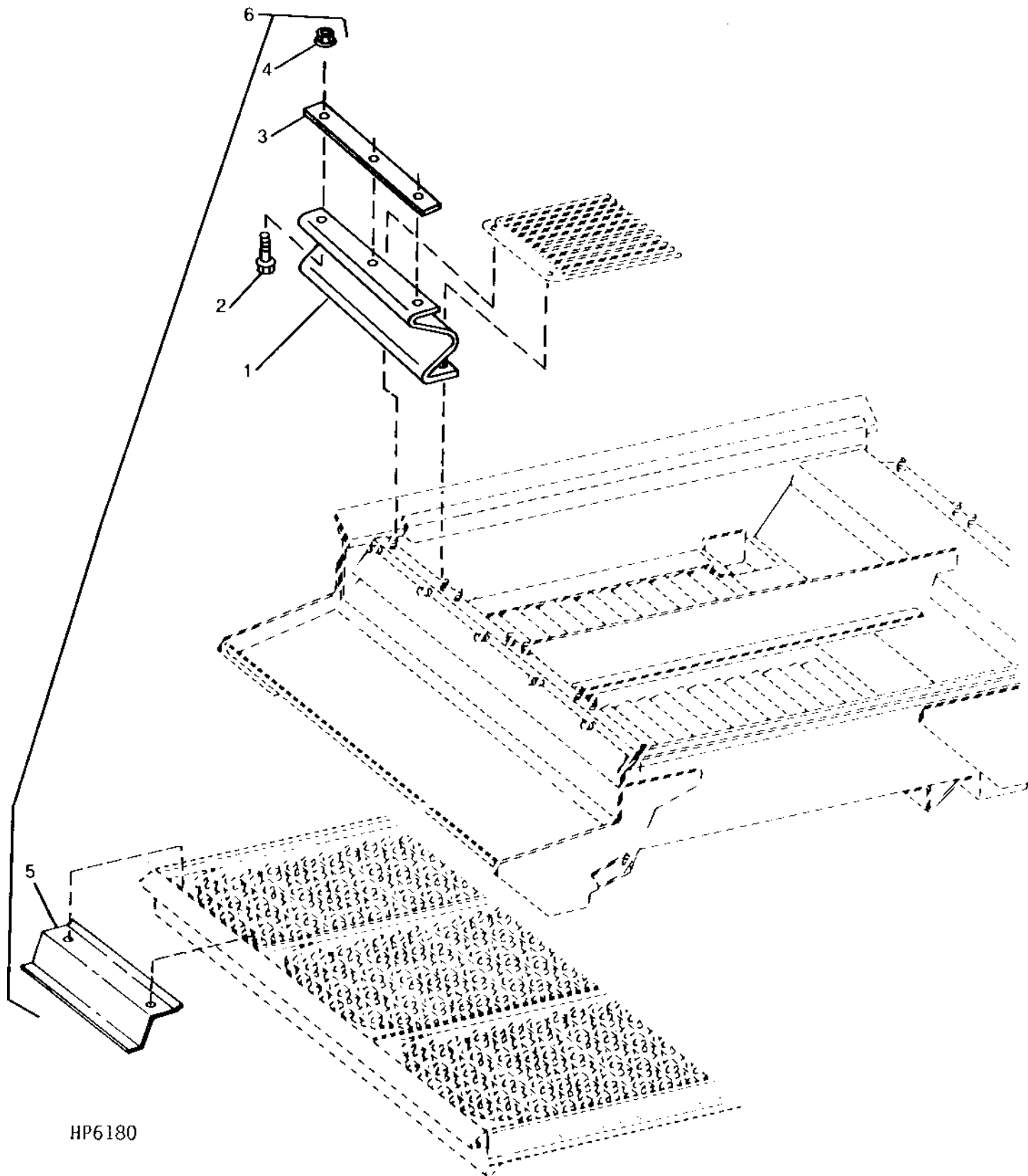


HP6189

PRECLEANER CHAFFER FRAME - CONTINUED

KEY	PART NO.	PART NAME	QTY	SERIAL NO.	S H 9 5 0 0	REMARKS
1	14M7396	LOCK NUT	8		X X	M8
2	H132160	FINGER	2	-670200	X X	12 FINGER
	H132161	FINGER	4		X X	15 FINGER (FRONT)
	H156717	FINGER	2		X X	12 FINGER
	H156718	FINGER	4	670201-	X X	15 FINGER (REAR)
3	H140247	SEAL	2		X X	
4	AH153808	FRAME	1		X X	(SUB FOR AH128458, AH146824 OR AH149994)
5	03M7281	BOLT	2	-666468	X X	M16 X 180
	H154930	BOLT	2	666469-	X X	
6	19M7758	CAP SCREW	2		X X	M12 X 130
7	H135544	STRIP	1	-665200	X X	
	H152617	STRIP	1	665201-	X X	
8	H135542	SEAL	1	-665200	X X	
	H152616	SEAL	1	665201-	X X	
9	19M7868	SCREW	8		X X	M8 X 30
10	H136609	SHEET	1		X X	
11	H136611	ANGLE	4		X X	
12	R87345	LOCK NUT	8		X X	
13	R55326	RIVET	6		X X	
..	BH78575	COMPLETE GOODS/SHIP. BUNDLE	1		X X	FINGER BAR COVER

GRAIN LEAK KIT
9500 (662173-)
SH9500 (660619-)
HP6180 -UN-03OCT95



HP6180

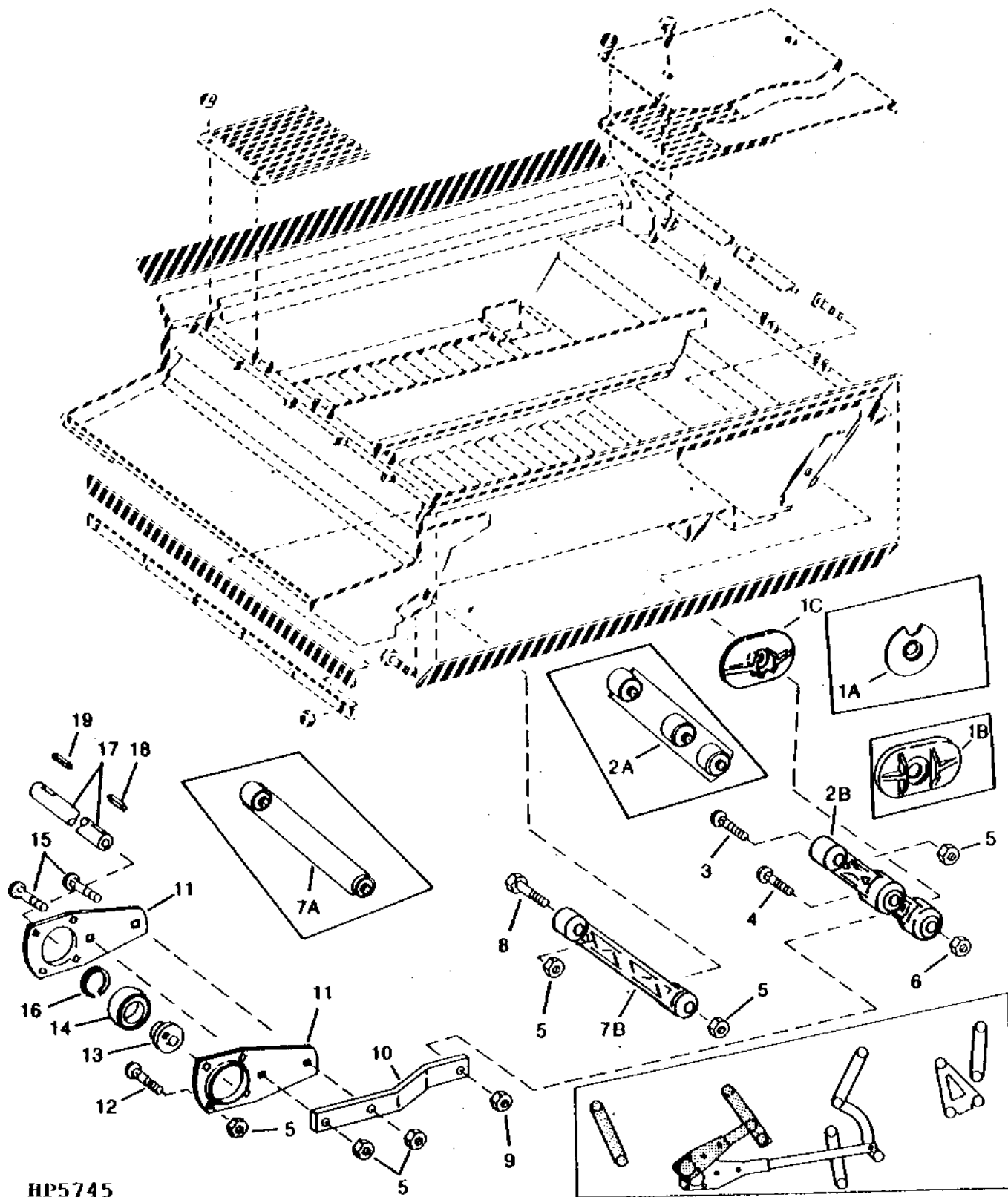
GRAIN LEAK KIT - CONTINUED

9500 (662173-)
 SH9500 (660619-)

KEY	PART NO.	PART NAME	QTY	SERIAL NO.	S H 9 9 5 5 0 0 0 0	REMARKS
1	H153648	SEAL	2		X X	(R.H. SIDE ILLUSTRATED)
2	19M7862	SCREW	6		X X	M6 X 20
3	H153649	STRAP	1		X X	
4	14M7303	FLANGE NUT	6		X X	M6
5	H153760	GUARD	4		X X	(R.H. SIDE ILLUSTRATED)
6	AH147584	KIT	1		X X	COMPLETE

PRECLEANER CHAFFER FRAME ARMS

HP5745 -UN-01JAN94

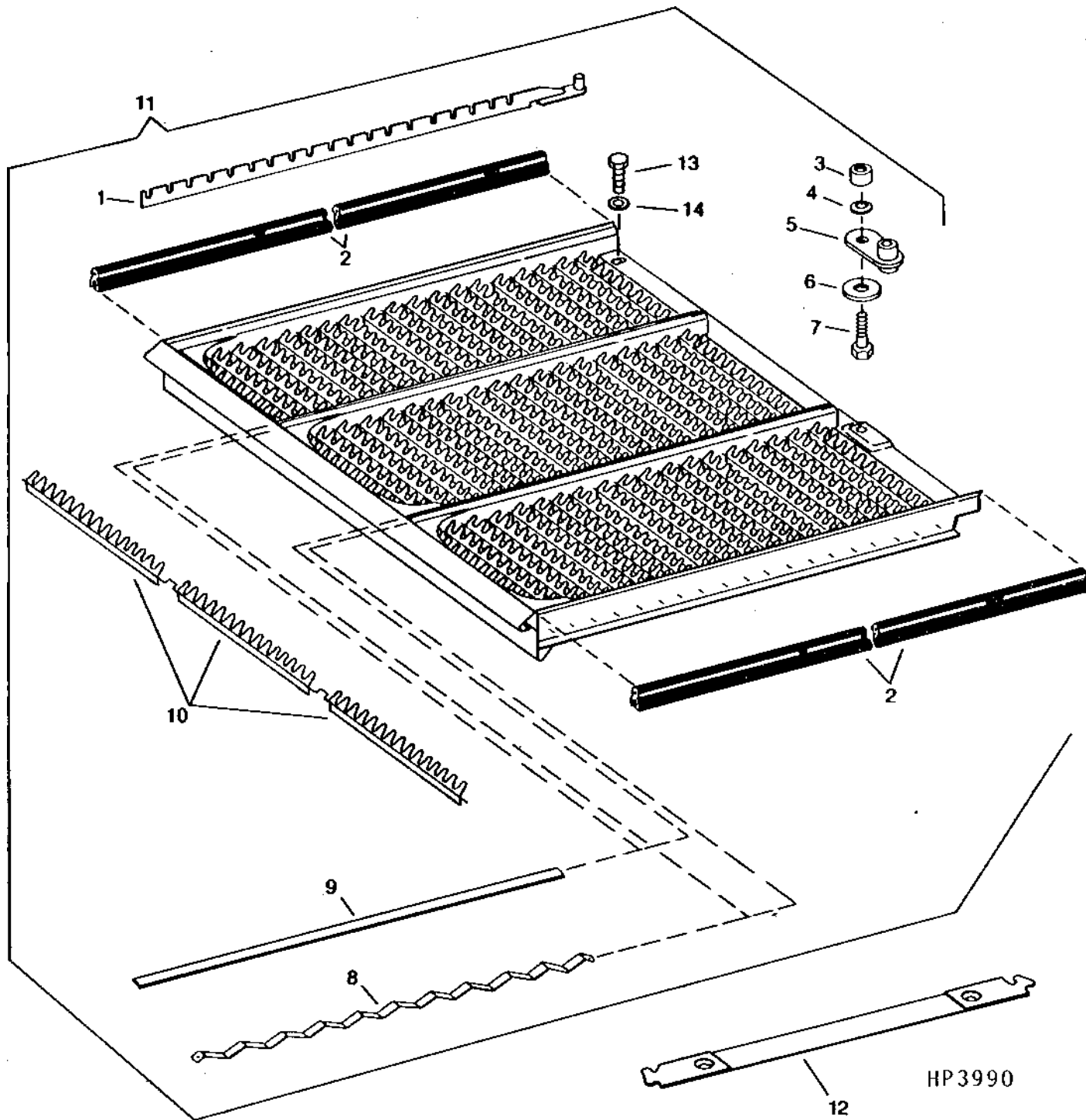


HP5745

PRECLEANER CHAFFER FRAME ARMS - CONTINUED

KEY	PART NO.	PART NAME	QTY	SERIAL NO.	S H 9 5 0 0	REMARKS
1A	H137187	SEAL	1		X X	
1B	H141416	SEAL	2	-645699	X X	(SUB H146672)
1C	H146672	SEAL	2		X X	
2A	AH125967	LINK	2	-645699	X X	(SUB AH138234)
2B	AH138234	LINK	2		X X	CAST
3	03M7248	BOLT	2		X X	M12 X 90
4	19M8043	CAP SCREW	2		X X	M16 X 140
5	14M7299	FLANGE NUT	AR		X X	M12
6	14M7276	NUT	2		X X	M16
7A	AH126097	ARM	2	-645699	X X	(SUB AH138231)
7B	AH138231	LINK	2		X X	CAST
8	19M7818	SCREW	1		X X	M12 X 80
9	14M7291	FLANGE NUT	2		X X	M16
10	H130922	PITMAN	2		X X	
11	H134118	PRESSED FLANGED HOUSING	4		X X	
12	03M7197	BOLT	AR		X X	M12 X 25
13	H133599	CAM	1		X X	LEFT-HAND
	H133602	CAM	1		X X	RIGHT-HAND
14	AH125975	BALL BEARING	2		X X	
15	03M7200	BOLT	AR		X X	M12 X 40
16	R43383	SNAP RING	2		X X	
17	H133598	SHAFT	1		X X	CLEANING SHOE SHAFT
18	SHAFT KEY	1		X X	6 X 4 X 63 MM, (CUT FROM H150268)
19	SHAFT KEY	1		X X	6 X 50 MM (IN AH141142 KEY STOCK KIT) (CUT FROM H150268)

CHAFFER ELEMENT
HP3990 -UN-01JAN94

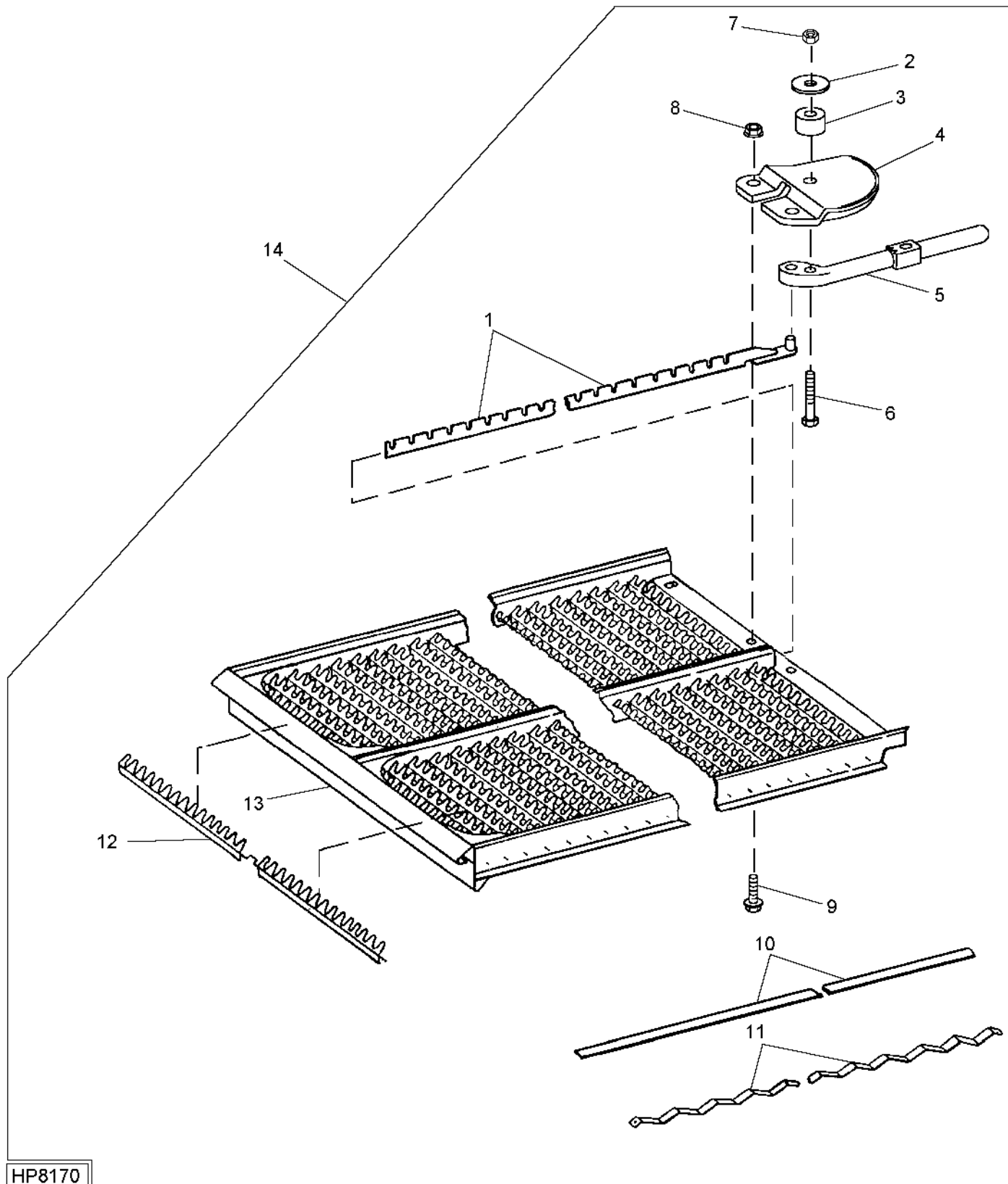


HP3990

CHAFFER ELEMENT - CONTINUED

KEY	PART NO.	PART NAME	QTY	SERIAL NO.	S H 9 5 0 0	REMARKS
1	AH130186	STRIP	1		X X	
2	AH127477	ISOLATOR	2	-642292	X	(SUB AH140044)
	AH140044	ISOLATOR	2		X X	
3	H126932	NUT	1		X X	FOR SEMI-DEEP TOOTH LOUVERS
4	H126934	WASHER	2		X X	
5	AH122080	LINK	1		X X	
6	H126933	WASHER	1		X X	
7	H110178	SCREW	1		X X	
8	H132291	LEAF SPRING	1		X X	
9	H132288	STRIP	1		X X	
10	AH132787	LOUVER	27		X X	FOR GENERAL PURPOSE LOUVERS
	AH127465	LOUVER	27		X X	FOR SEMI-DEEP TOOTH LOUVERS
11	AH149551	CHAFFER	1		X X	FOR GENERAL PURPOSE LOUVERS, (SUB FOR AH132785)
	AH127426	CHAFFER	1		X X	FOR SEMI-DEEP TOOTH LOUVERS
	AH130486	CHAFFER	1		X X	FOR FIXED LOUVERS
12	AH131213	HANDLE	1	-651725	X X	(SUB H149997)
	H149997	GRIP	1		X X	FOR ALL ADJUSTABLE ELEMENTS
13	19M7785	SCREW	3		X X	M10 X 25
14	24H1308	WASHER	3		X X	13/32" X 1" X 0.134"

CHAFFER ELEMENT-DEEP TOOTH NARROW
HP8170 -UN-17FEB99



HP8170

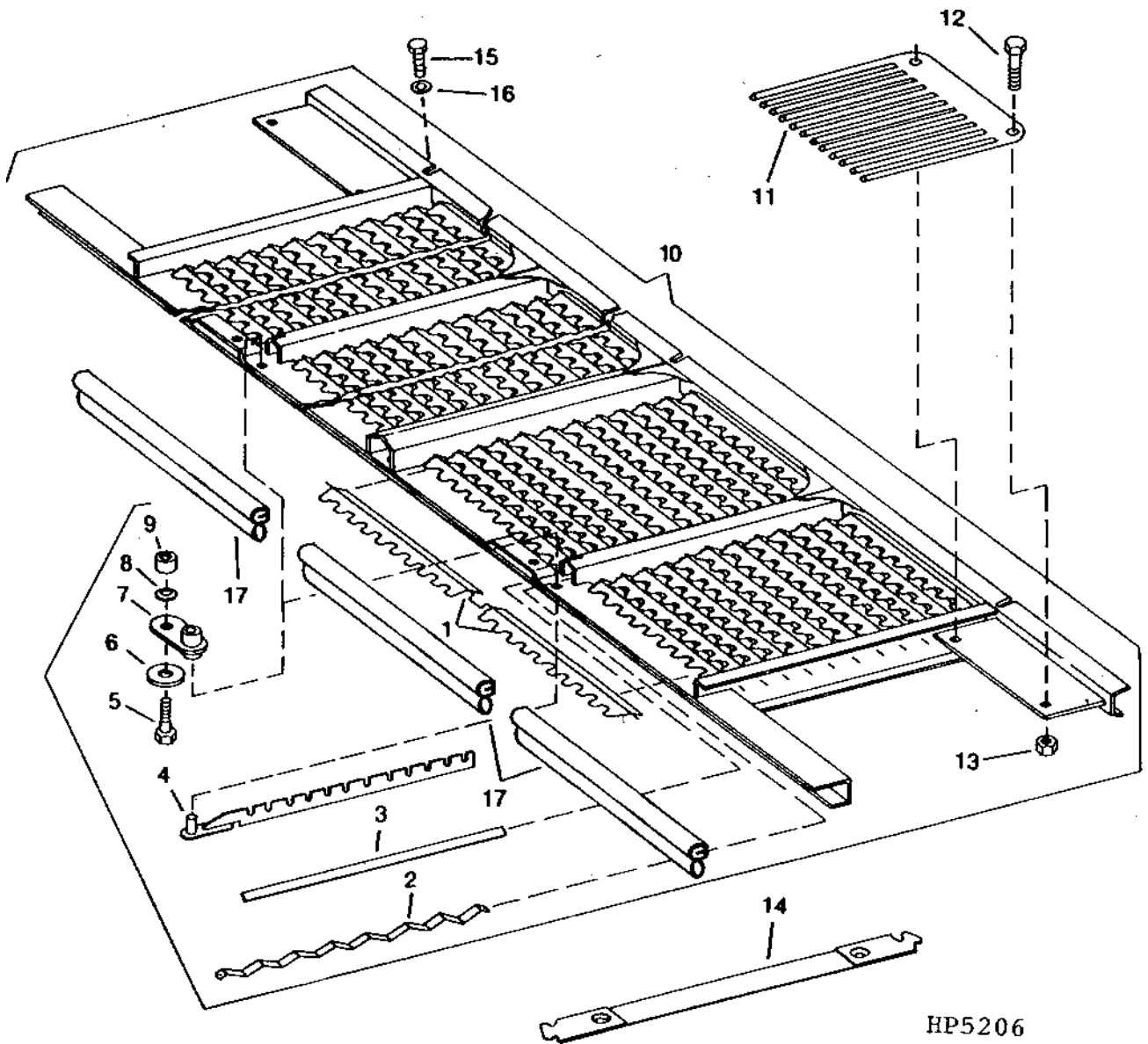
8110

THRESHING AND SEPARATION

CHAFFER ELEMENT-DEEP TOOTH NARROW-CONTINUED

KEY	PART NO.	PART NAME	QTY	SERIAL NO.	S H 9 5 0 0	REMARKS
1	AH150167	STRIP	1		X X	
2	24H1695	WASHER	1		X X	9/32" X 1-3/8" X 0.065"
3	A37576	PAD	1		X X	
4	H157740	BRACKET	1		X X	
5	H157743	HANDLE	1		X X	
6	19M7177	CAP SCREW	1		X X	M6 X 35
7	14M7397	LOCK NUT	1		X X	M6
8	14M7296	FLANGE NUT	2		X X	M10
9	19M7784	SCREW	2		X X	M10 X 20
10	H132288	STRIP	1		X X	
11	H132291	LEAF SPRING	1		X X	
12	AH127465	LOUVER	27		X X	
13	FRAME	1		X X	
14	AH149553	CHAFFER	1		X X	

CHAFFER EXTENSION ELEMENT
HP5206 -UN-01JAN94



HP5206

8112

THRESHING AND SEPARATION

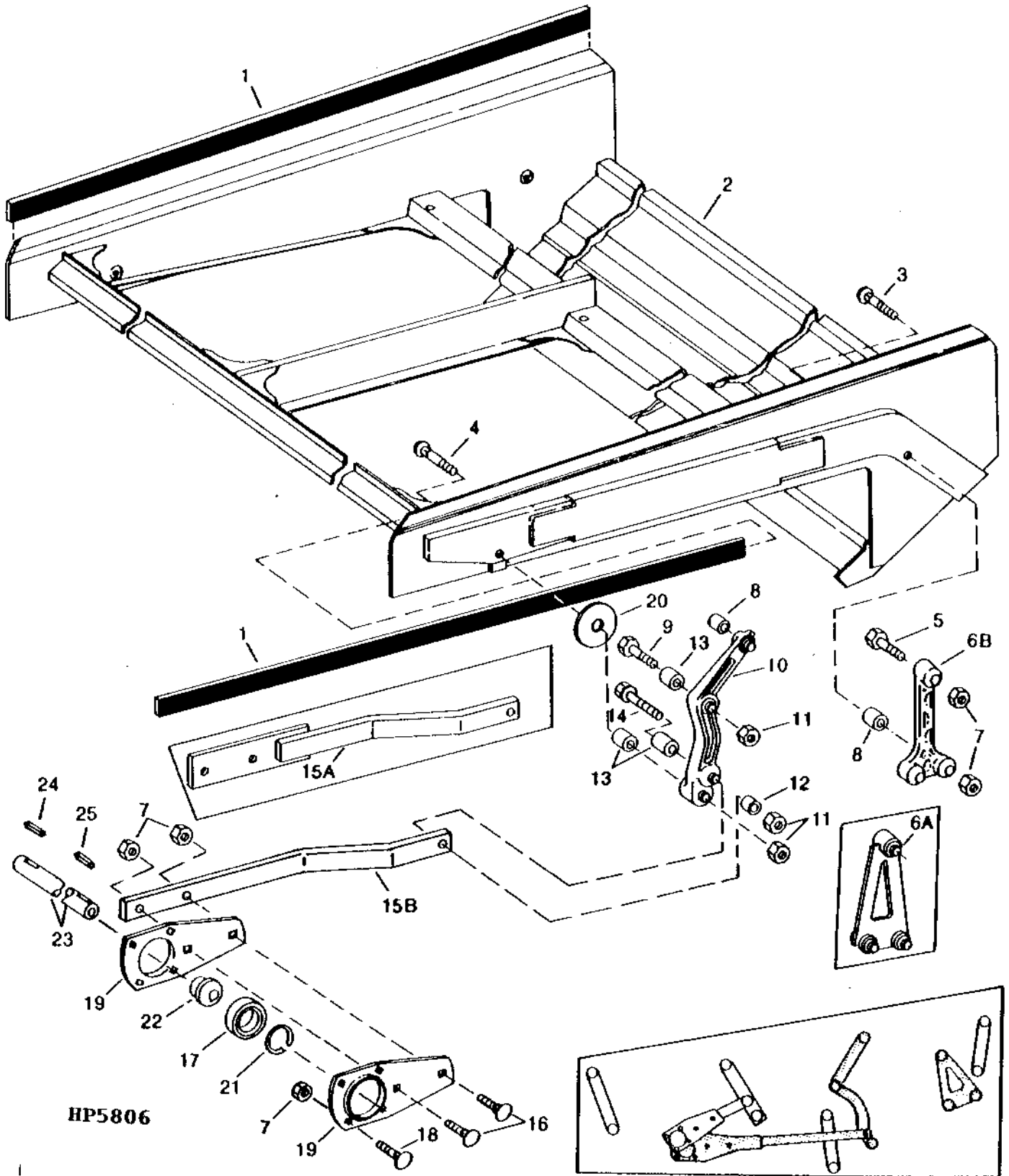
CHAFFER EXTENSION ELEMENT - CONTINUED

KEY	PART NO.	PART NAME	QTY	SERIAL NO.	S H 9 5 0 0	REMARKS
1	AH127469	LOUVER	12		X X	SEMI-DEEP TOOTH LOUVER
2	H132293	LEAF SPRING	2		X X	
3	H132290	STRIP	2		X X	
4	AH130189	STRIP	1		X X	SEMI-DEEP TOOTH LOUVER
5	H110178	SCREW	1		X X	
6	H126933	WASHER	1		X X	
7	AH122080	LINK	1		X X	
8	H126934	WASHER	2		X X	
9	H126932	NUT	1		X X	
10	AH127435	CHAFFER	1		X X	SEMI-DEEP TOOTH LOUVER
	AH130996	CHAFFER	1		X X	FIXED LOUVER (DOES NOT INCLUDE KEYS 1-9)
11	H132160	FINGER	2		X X	
12	19M7866	SCREW	4		X X	M8 X 20
13	14M7396	LOCK NUT	4		X X	M8
14	AH131213	HANDLE	1	-651725	X X	(SUB H149997)
	H149997	GRIP	1		X X	
15	19M7785	SCREW	4		X X	M10 X 25
16	24H1308	WASHER	4		X X	13/32" X 1" X 0.134"
17	AH80335	WEATHERSTRIP	3		X X	

8113

THRESHING AND SEPARATION

CHAFFER FRAME
HP5806 -UN-01JAN94



8114

THRESHING AND SEPARATION

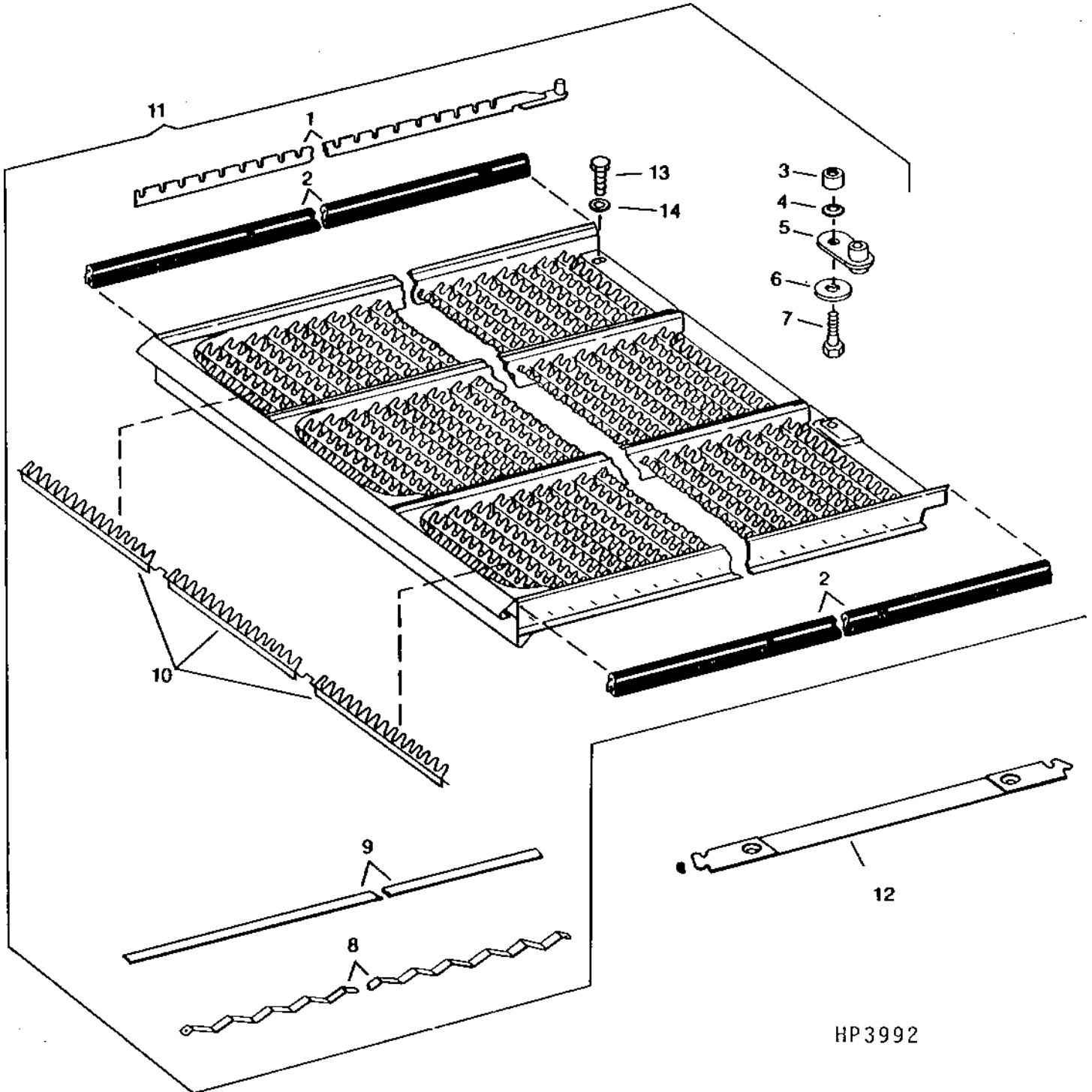
CHAFFER FRAME - CONTINUED

KEY	PART NO.	PART NAME	QTY	SERIAL NO.	S H 9 5 0 0	REMARKS
1	H175540	SEAL	2		X X	(SUB FOR H131319)
2	AH128464	FRAME	1		X X	
3	19M7943	CAP SCREW	2		X X	M12 X 90
4	19M7732	CAP SCREW	2		X X	M16 X 130
5	03M7248	BOLT	2		X X	M12 X 90
6A	AH125971	LINK	2	-646966	X X	(SUB AH138232)
6B	AH138232	LINK	2		X X	
7	14M7299	FLANGE NUT	AR		X X	M12
8	AH125200	BUSHING	10	-646966	X X	NO LONGER AVAILABLE
9	03M7240	BOLT	2		X X	M16 X 130
10	AH125969	ARM	1		X X	L.H. SIDE
	AH125970	ARM	1		X X	R.H. SIDE
11	14M7291	FLANGE NUT	AR		X X	M16
12	H96690	SPACER	2		X X	
13	AH125201	RUBBER MOUNT	2		X X	
14	19M8486	CAP SCREW	2		X X	M16 X 180
15A	AH125976	PITMAN	2	-650200	X X	(SUB H147457)
15B	H147457	BAR	2		X X	
	H150034	BAR	1			
16	03M7198	BOLT	AR	-650200	X X	M12 X 30
	03M7200	BOLT	AR	650201-	X X	M12 X 40
17	AH125975	BALL BEARING	2		X X	
18	03M7197	BOLT	AR	-641948	X	M12 X 25
	03M7198	BOLT	AR	641949-	X X	M12 X 30
19	H134118	PRESSED FLANGED HOUSING	4		X X	
20	H137188	SEAL	2		X X	
21	R43383	SNAP RING	2		X X	
22	H133600	CAM	1		X X	L H
	H133601	CAM	1		X X	R H
23	H133598	SHAFT	1		X X	
24	SHAFT KEY	1		X X	6 X 50 MM (IN AH141142 KEY STOCK KIT) (CUT FROM H150268)
25	49M7040	SHAFT KEY	1		X X	6 X 100 MM

8115

THRESHING AND SEPARATION

SIEVE ELEMENT
HP3992 -UN-01JAN94



HP3992

8116

THRESHING AND SEPARATION

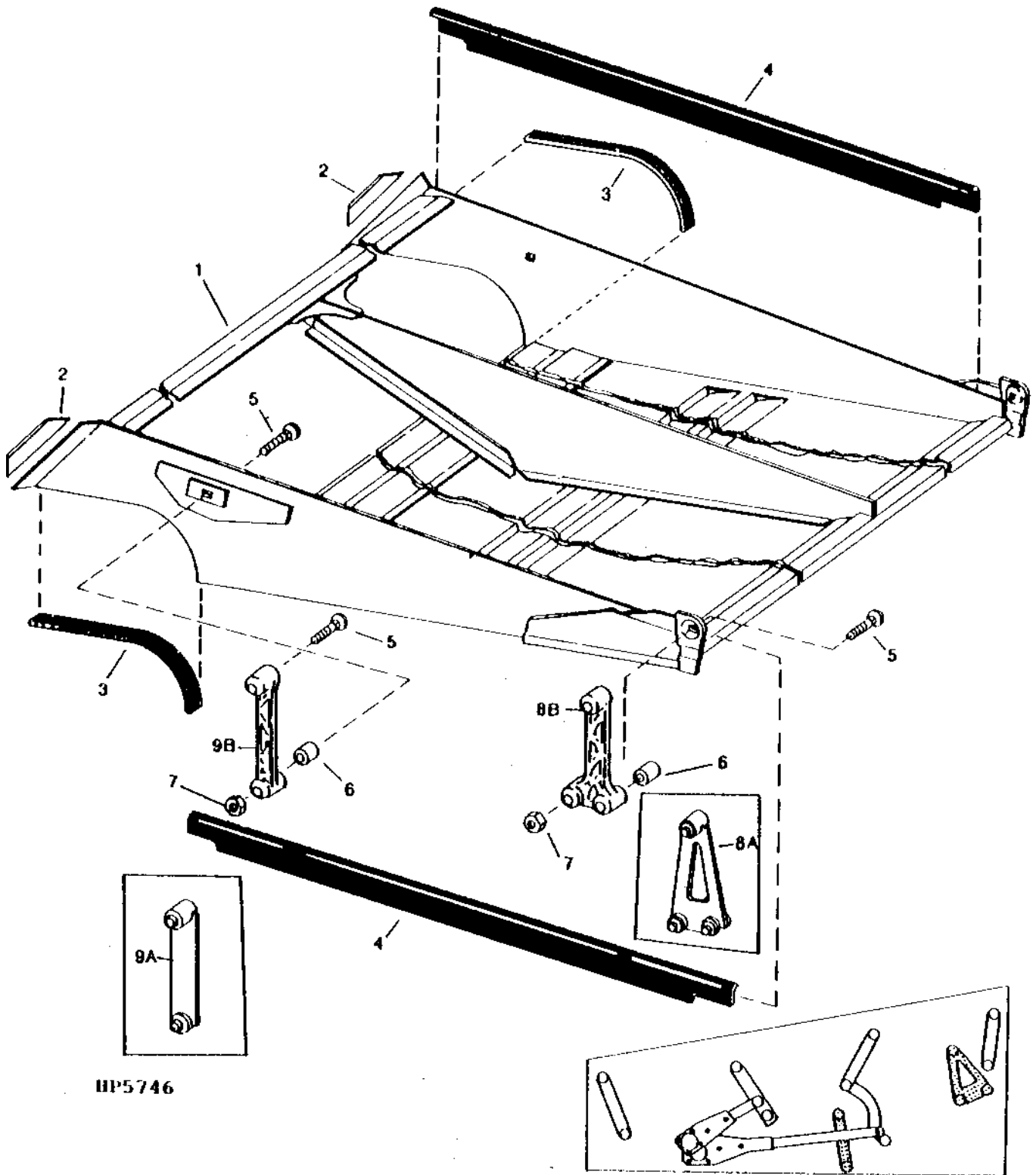
SIEVE ELEMENT - CONTINUED

KEY	PART NO.	PART NAME	QTY	SERIAL NO.	S H 9 5 0 0	REMARKS
1	AH130167	STRIP	1		X X	
2	AH127477	ISOLATOR	2	-642292	X	(SUB AH140044)
	AH140044	ISOLATOR	2		X X	
3	H126932	NUT	1		X X	
4	H126934	WASHER	2		X X	
5	AH122080	LINK	1		X X	
6	H126933	WASHER	1		X X	
7	H110178	SCREW	1		X X	
8	H132292	LEAF SPRING	1		X X	
9	H132289	STRIP	1		X X	
10	AH130166	LOUVER	40		X X	
11	AH130160	SCREEN	2		X X	ADJUSTABLE
	AH131217	SIEVE	2		X X	FIXED, 3 MM (1/8") ROUND HOLES
	AH131219	SIEVE	2		X X	FIXED, 10 MM (3/8") ROUND HOLES
12	AH131213	HANDLE	1	-651725	X X	(SUB H149997)
	H149997	GRIP	1		X X	
13	19M7785	SCREW	3		X X	M10 X 25
14	24H1308	WASHER	3		X X	13/32" X 1" X 0.134"

NOTE: QUANTITIES SHOWN ARE FOR ONE UNIT. TWO UNITS PER MACHINE.

8117

SIEVE FRAME
HP5746 -UN-01JAN94



HP5746

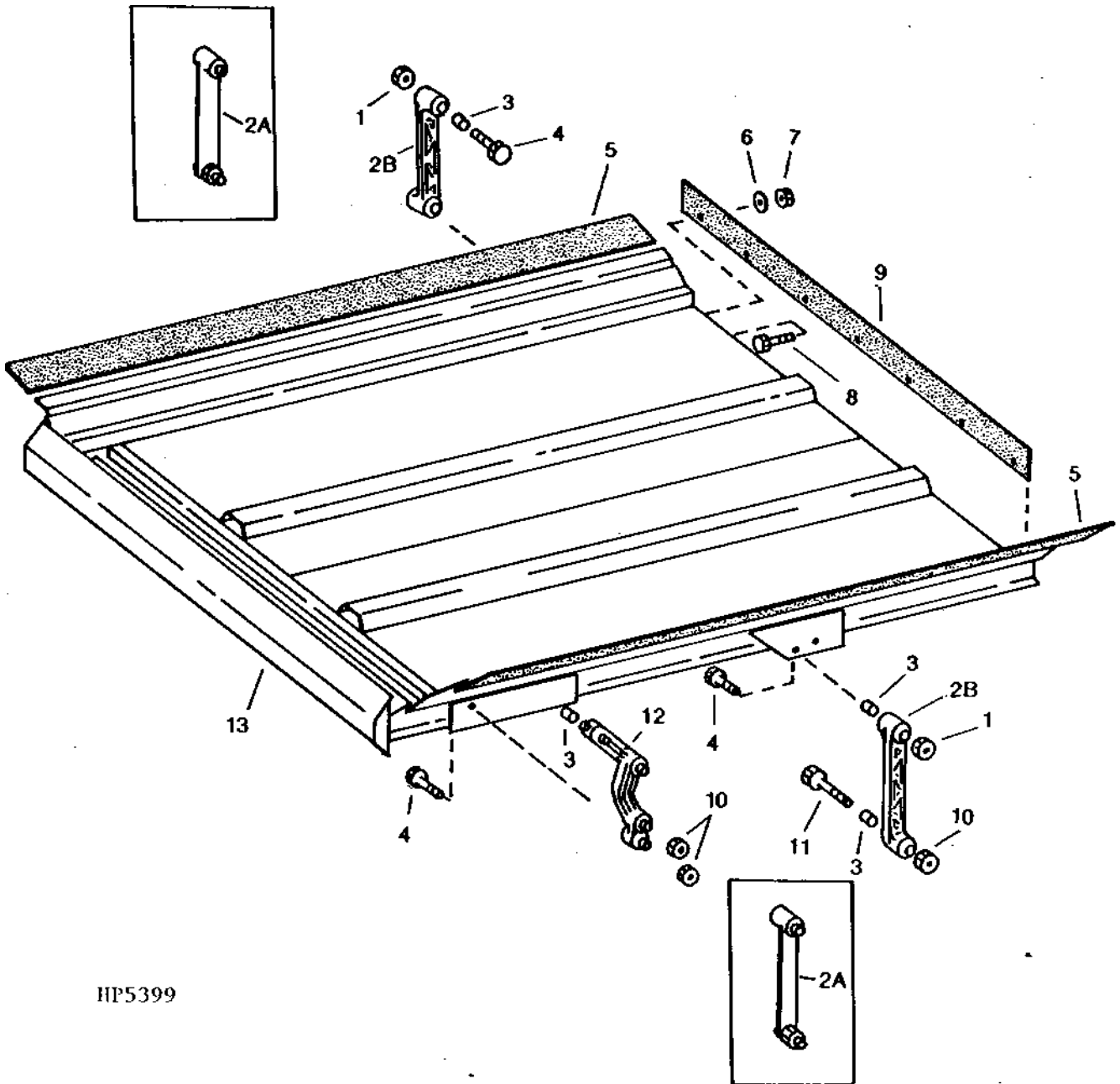
8118

THRESHING AND SEPARATION

SIEVE FRAME - CONTINUED

KEY	PART NO.	PART NAME	QTY	SERIAL NO.	S H 9 5 0 0	REMARKS
1	AH128461	FRAME	1	-9SEP96	X X	
	AH149701	FRAME	1	9SEP96-	X X	
2	H133288	SEAL	2		X X	
3	SEAL	2		X X	420 MM (16-1/2 ") CUT FROM AH133091 (50 FT. ROLL)
4	H133287	SEAL	2		X X	
5	03M7248	BOLT	6		X X	M12 X 90
6	AH125200	BUSHING	10	-646966	X X	
7	14M7299	FLANGE NUT	6		X X	M12
8A	AH125971	LINK	2	-646966	X X	(SUB AH138232)
8B	AH138232	LINK	2		X X	
9A	AH125966	ARM	2	-646966	X X	(SUB AH138230)
9B	AH138230	LINK	2		X X	

SHAKER PAN
HP5399 -UN-01JAN94



HP5399

8120

THRESHING AND SEPARATION

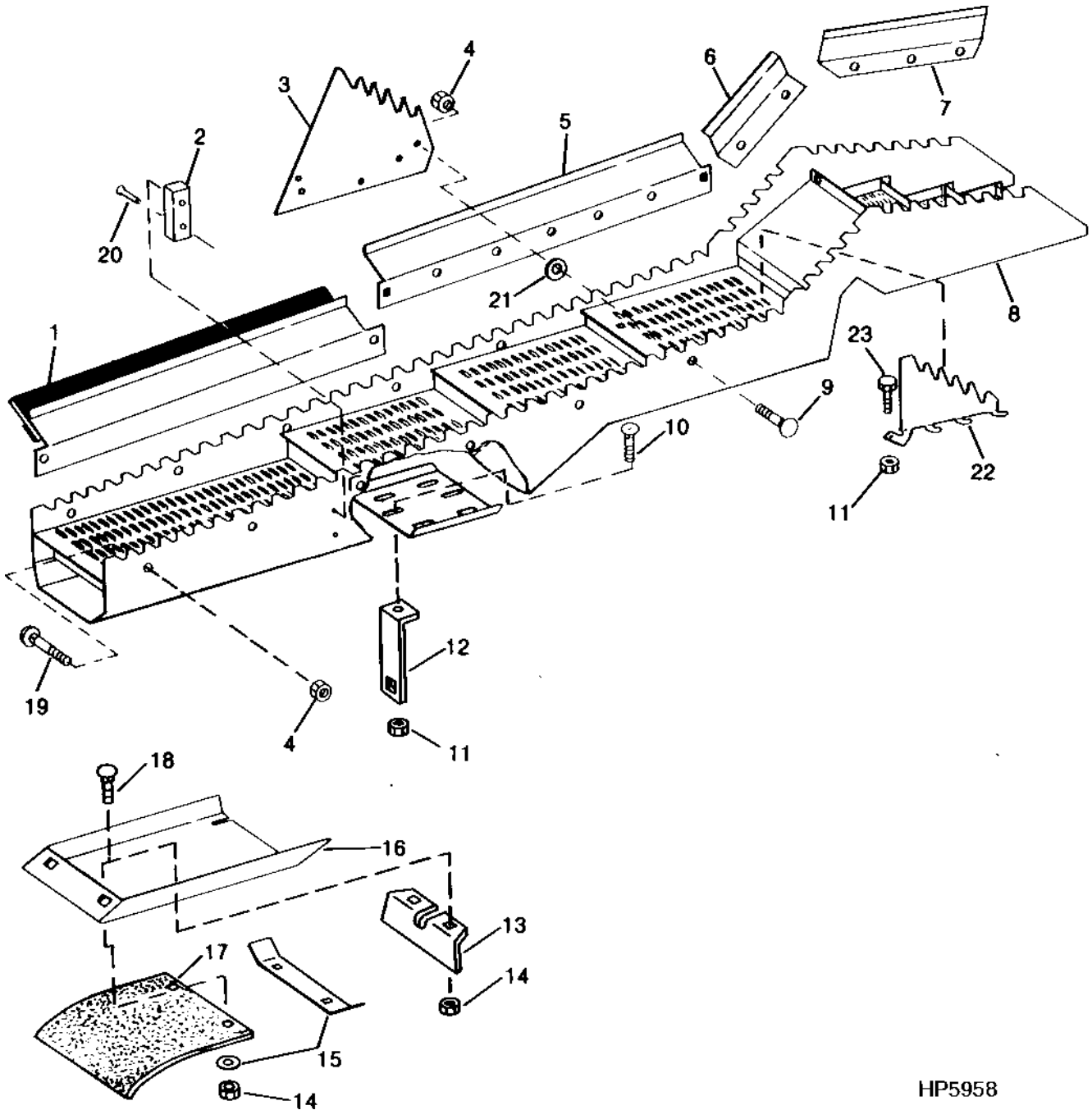
SHAKER PAN - CONTINUED

KEY	PART NO.	PART NAME	QTY	SERIAL NO.	S H 9 5 0 0	REMARKS
1	14M7275	NUT	5		X X	M12
2A	AH125966	ARM	2	-646966	X X	(SUB AH138230)
2B	AH138230	LINK	2		X X	
3	AH125200	BUSHING	6		X X	
4	19M7821	SCREW	2		X X	M12 X 120
5	H175590	SEAL	2		X X	(SUB FOR H133768)
6	24H1299	WASHER	7		X X	3/8" X 1-1/4" X 0.065"
7	14M7298	FLANGE NUT	7		X X	M8
8	03M7184	BOLT	7		X X	M8 X 20
9	H133789	SEAL	1		X X	
10	14M7275	NUT	4		X X	M12
11	19M7819	SCREW	2		X X	M12 X 90
12	AH125970	ARM	1		X X	R.H.
	AH125969	ARM	1		X X	L.H.
13	AH128909	GRAIN PAN	1		X X	

8121

THRESHING AND SEPARATION

STRAW WALKERS
HP5958 -UN-27APR95



HP5958

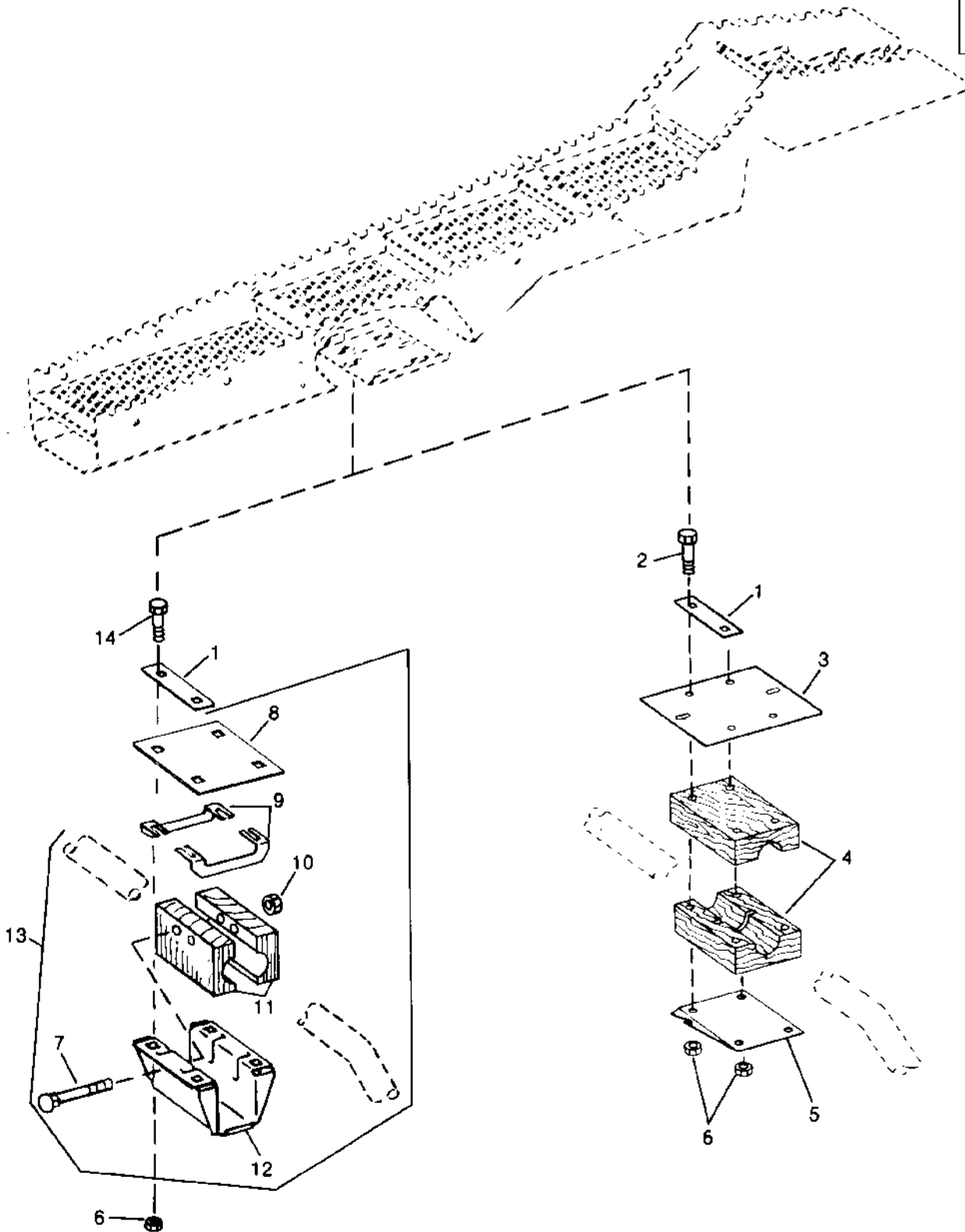
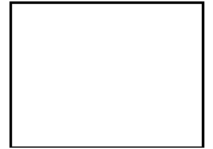
STRAW WALKERS - CONTINUED

KEY	PART NO.	PART NAME	QTY	SERIAL NO.	S H 9 9 5 5 0 0 0 0	REMARKS
1	AH128735	SEAL	2		X X	(SUB AH162251) OUTSIDE WALKERS ONLY
	AH162251	SEAL	2		X X	
2	H135225	STRIP	AR	-640100	X X	(SUB H135923) BETWEEN WALKERS ONLY
	H135923	STRIP	AR		X X	BETWEEN WALKERS ONLY
3	H131516	RISER	1		X X	ONE PER WALKER EXCEPT R.H. OUTSIDE WALKER (GRAIN)
4	14M7303	FLANGE NUT	3		X X	M6
5	H131604	SEAL	1		X X	OUTSIDE WALKERS ONLY
6	H131608	SEAL	1		X X	OUTSIDE WALKERS ONLY
7	H131607	SEAL	1		X X	OUTSIDE WALKERS ONLY
8	AH128530	STRAW WALKER	4	-636913	X X	(SUB AH135380) LIP TYPE
	AH135380	STRAW WALKER	4	636914-	X X	(ILLUSTRATED) LIP TYPE
	AH140434	STRAW WALKER	4	641501-	X X	RECTANGULAR GRID
9	03M7251	BOLT	AR		X X	M6 X 12
10	03M7184	BOLT	1		X X	M8 X 20
11	14M7298	FLANGE NUT	AR		X X	M8
12	H87268	BRACKET	2		X X	LOSS MONITOR
13	H140414	DEFLECTOR	1	631129-	X X	USE WITH CORN CHOPPER TO DEFLECT COBS
14	M84309	NUT	2		X X	7.925 MM, (SUB FOR H131531) RETAINS M8 BOLTS BEFORE INSTALLING EXTENSION PAN
	14M7396	LOCK NUT	2		X X	M8, TO ATTACH EXTENSION PAN OR COB DEFLECTOR
15	H128082	WASHER	2	-637409	X X	
	H143615	REINFORCEMENT	1	637410-	X X	
16	H131661	PAN	1		X X	
17	H140218	FLAP	4		X X	FOR SUNFLOWERS
18	03M7184	BOLT	2		X X	M8 X 20
19	03M7221	BOLT	AR		X X	M6 X 16
20	H85233	RIVET	2		X X	
21	24H1292	WASHER	AR		X X	8.738 X 19.050 X 3.048 MM
22	H141883	RISER	AR		X X	CENTER RISER
	H146639	RISER	AR		X X	CENTER RISER, FOR RECTANGULAR GRID WALKER
23	19M7865	SCREW	1		X X	TO ATTACH CENTER RISER
..	BH79481	COMPLETE GOODS/SHIP. BUNDLE	1		X X	CENTER RISERS
..	BH78364	COMPLETE GOODS/SHIP. BUNDLE	1		X X	WALKER FLAPS

STRAW WALKER BEARINGS

(-650200)

HP6592 -UN-13DEC96



HP6592

STRAW WALKER BEARINGS - CONTINUED

(-650200)

KEY	PART NO.	PART NAME	QTY	SERIAL NO.	S H 9 5 0 0 0 0	REMARKS
1	H139667	STRAP	16		X X	
2	03M7333	BOLT	AR	-636925	X X	M10 X 110
3	H140019	RETAINER	1	-636925	X X	(SUB AH136572) ON REAR BEARINGS ONLY
4	H140070	BEARING	16	-636925	X X	(SUB AH136572)
5	H140074	PLATE	2	-636925	X X	(SUB AH136572)
6	14M7400	LOCK NUT	AR		X X	M10, TWO PER BOLT
7	03M7267	BOLT	4	636926-	X X	M8 X 80
8	H140678	PLATE	1	636926-	X X	FRONT MOUNTING PAD ONLY
9	H141314	RETAINER	2	636926-	X X	
10	14M7396	LOCK NUT	4	636926-	X X	M8
11	H140677	BEARING	2	636926-	X X	
12	H141313	COVER	1	636926-	X X	
13	AH136572	BEARING	8	636926-	X X	
14	03M7193	BOLT	4	636926-	X X	M10 X 35, FRONT BEARINGS
	03M7192	BOLT	4	636926-	X X	M10 X 30, REAR BEARINGS

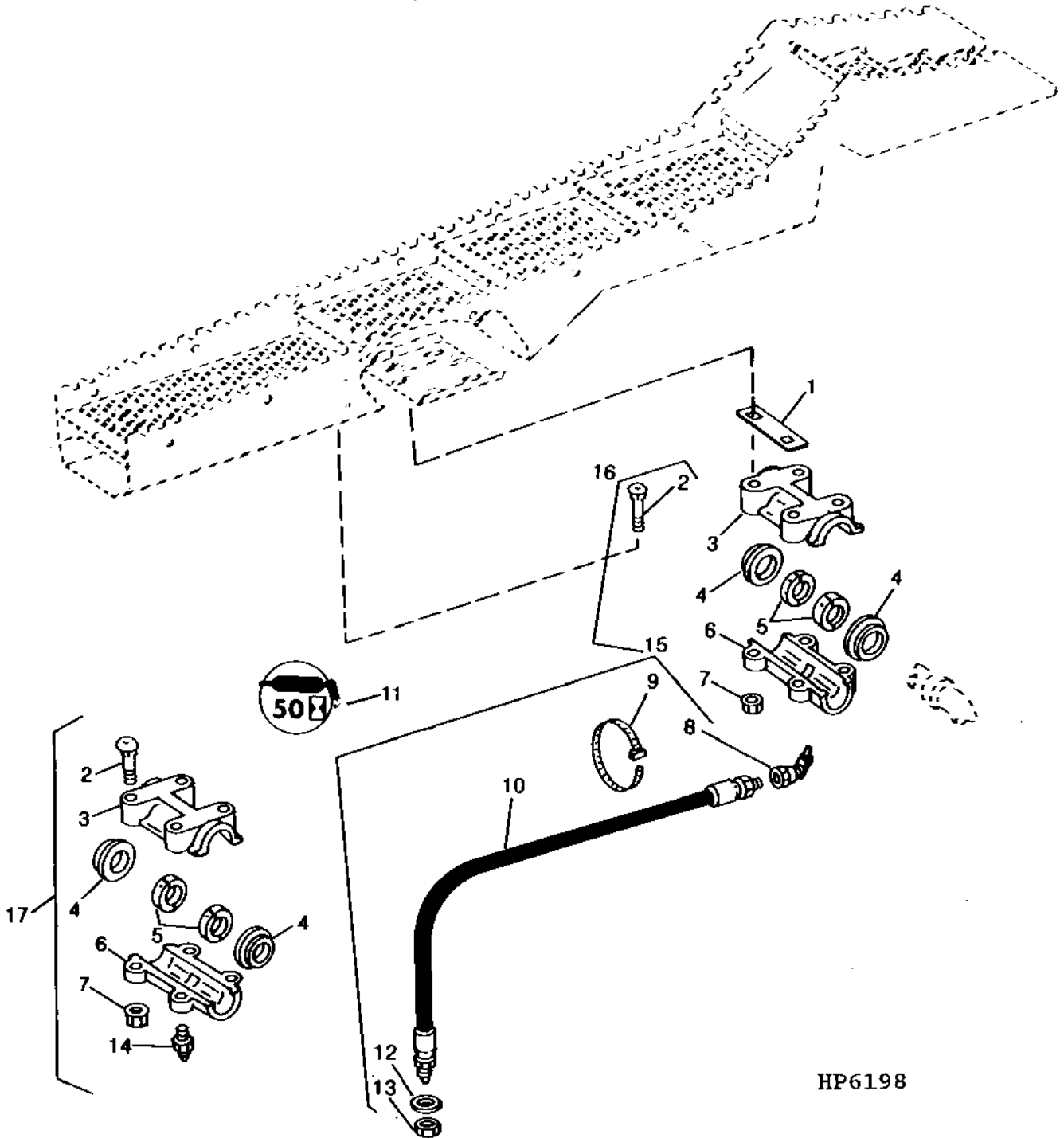
8J1

THRESHING AND SEPARATION

STRAW WALKER BEARING KIT

(650201-665200)

HP6198 -UN-25SEP95



HP6198

8J2

THRESHING AND SEPARATION

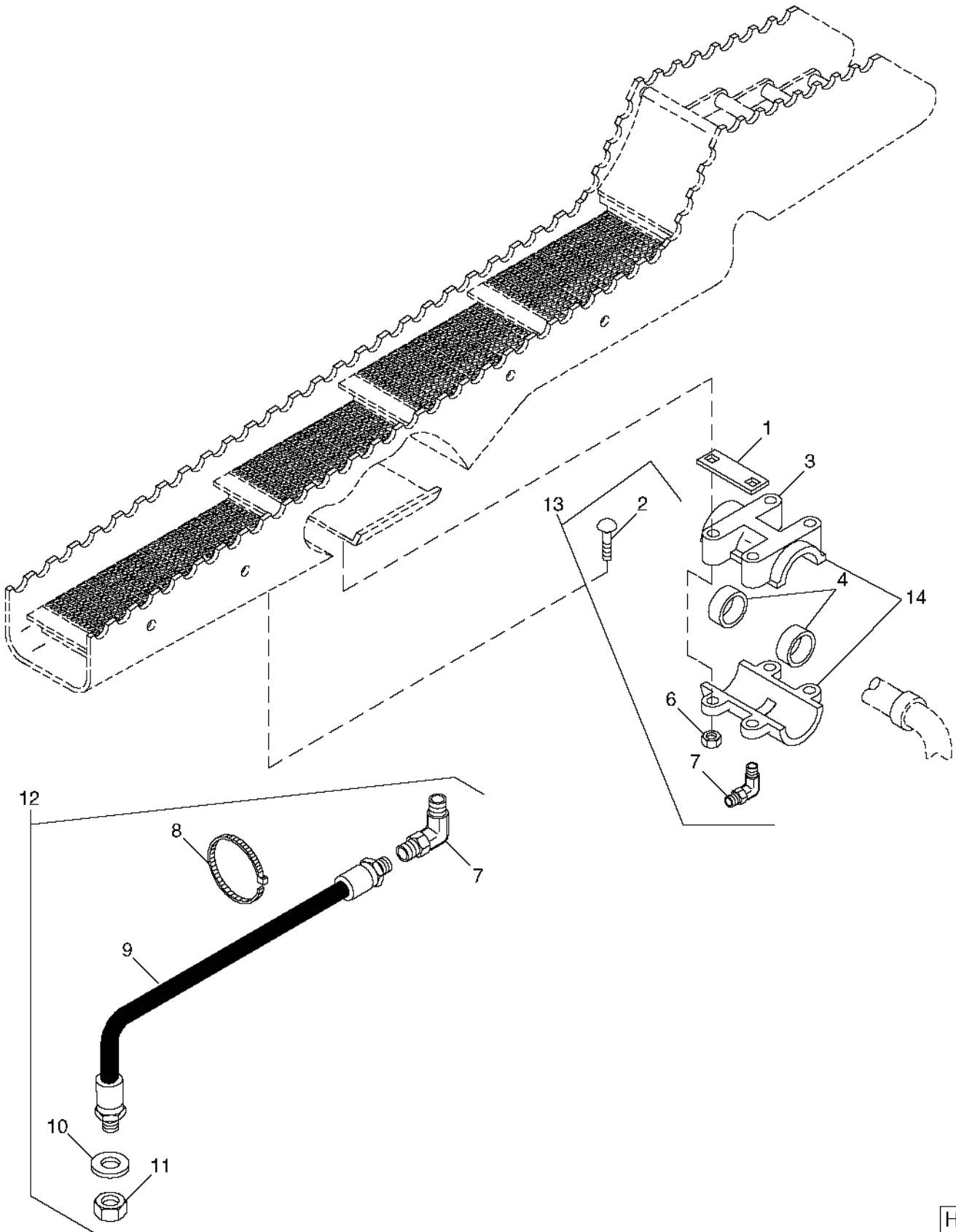
STRAW WALKER BEARING KIT - CONTINUED (650201-665200)

KEY	PART NO.	PART NAME	QTY	SERIAL NO.	S H 9 5 0 0 0 0	REMARKS
1	H139667	STRAP	2		X X	
2	03M7359	BOLT	4		X X	M10 X 85
3	H150717	BEARING	1	660201-	X X	(SUB FOR H147747) UPPER
4	H151597	SEAL	2	660201-	X X	RUBBER
5	AH141393	LOCKING COLLAR	2		X X	CRANKSHAFT (8 PER CRANK)
6	H150716	BEARING	1	660201-	X X	(SUB FOR H147748) LOWER
7	14M7465	LOCK NUT	4		X X	M10
8	AH145706	FITTING	1	660201-	X X	45 DEGREE SWIVEL, (SUB FOR AH144815)
9	R44302	TIE BAND	10		X X	171 MM (6-3/4")
10	AH144816	HOSE	1		X X	LUBRICATION (FRONT BEARING)
11	H152602	DECAL	1	660201-	X X	(SUB FOR H109845) 50 HOUR LUBRICATION
12	24H1307	WASHER	1		X X	10.312 X 25.400 X 1.600 MM
13	E12379	NUT	1		X X	3.175 MM 3.175 MM (1/8")
14	JD7759	LUBRICATION FITTING	1		X X	STRAIGHT, REAR BEARING ONLY
15	AH145262	KIT	1	650201-660200	X X	(SUB AH145935) LUBE HOSE (FRONT BEARING USE ON COMBINES WITH OLD CRANKSHAFT PRIOR TO 1993 (NO LONGER AVAILABLE) LUBE HOSE (FRONT BEARING) (ILLUSTRATED)
16	AH145263	KIT	1	650201-660200	X X	(SUB AH145687) FRONT BEARING AND HOSE, USE ON COMBINES WITH OLD CRANKSHAFT PRIOR TO 1993
17	AH145687	KIT	1		X X	FRONT BEARING AND HOSE (ILLUSTRATED)
	AH141819	BEARING	1	650201-660200	X X	(SUB AH145686) REAR KIT, USE ON COMBINES WITH OLD CRANKSHAFT PRIOR TO 1993
	AH145686	BEARING	1		X X	REAR KIT (ILLUSTRATED)

8J3

STRAW WALKER BEARING KIT

(665201-)
HP9645 -UN-27MAR00



HP9645

8J4

THRESHING AND SEPARATION

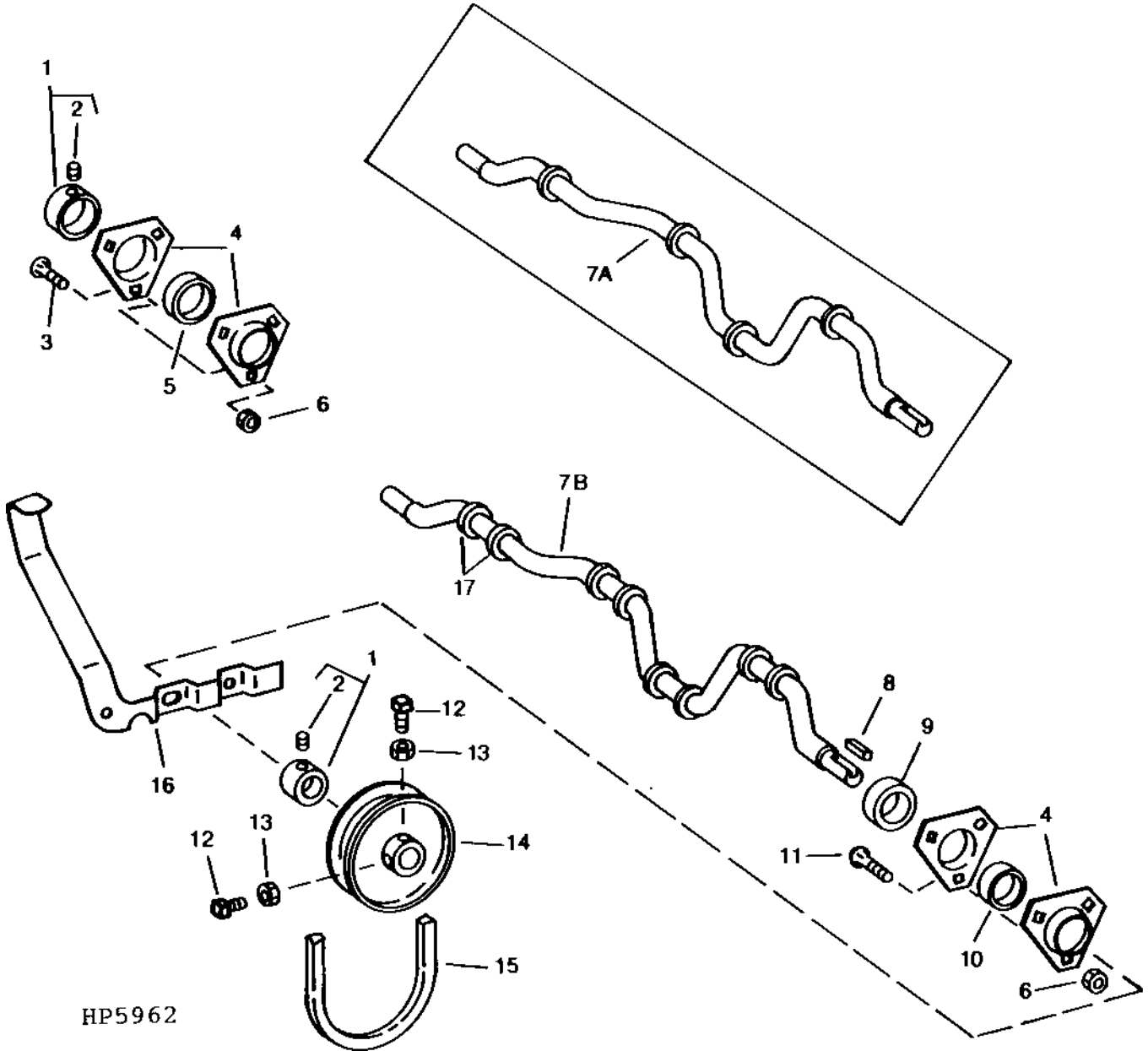
STRAW WALKER BEARING KIT - CONTINUED (665201-)

KEY	PART NO.	PART NAME	QTY	SERIAL NO.	S H 9 5 0 0 0 0	REMARKS
1	H139667	STRAP	2		X X	
2	03M7359	BOLT	4		X X	M10 X 85
3	H152464	BEARING	1		X X	(SUB AH168158) (USE WITH H152465) UPPER
4	H154216	SEAL	2		X X	RUBBER
5	H152465	BEARING	1	-665501	X X	(SUB AH168158) (USE WITH H152464) LOWER
6	14M7400	LOCK NUT	4		X X	M10
7	AH145706	FITTING	1	-665501	X X	45 DEGREE SWIVEL (ILLUSTRATED) (FOR FRONT BEARING ONLY)
	JD7759	LUBRICATION FITTING	1	-665501	X X	STRAIGHT (FOR REAR BEARING ONLY)
	AN71222	ADAPTER	1	666108-	X X	STRAIGHT
8	R44302	TIE BAND	10		X X	171 MM (6-3/4")
9	AH144816	HOSE	1		X X	LUBRICATION (FRONT BEARING)
10	24H1307	WASHER	1		X X	10.312 X 25.400 X 1.600 MM
11	E12379	NUT	1		X X	3.175 MM 3.175 MM (1/8")
12	AH145935	KIT	1	-670500	X X	LUBE HOSE (FRONT BEARING ILLUSTRATED)
13	AH147743	KIT	1	-665977	X X	(SUB H152464, H152465, AH145706, (2) H154216, JD7759, (4) 03M7359 AND 14M7400)
14	AH168158	BEARING	1		X X	

8J5

THRESHING AND SEPARATION

STRAW WALKER CRANKS, STRAW SPREADER DRIVE AND SHIELD
HP5962 -UN-27APR95



HP5962

8J6

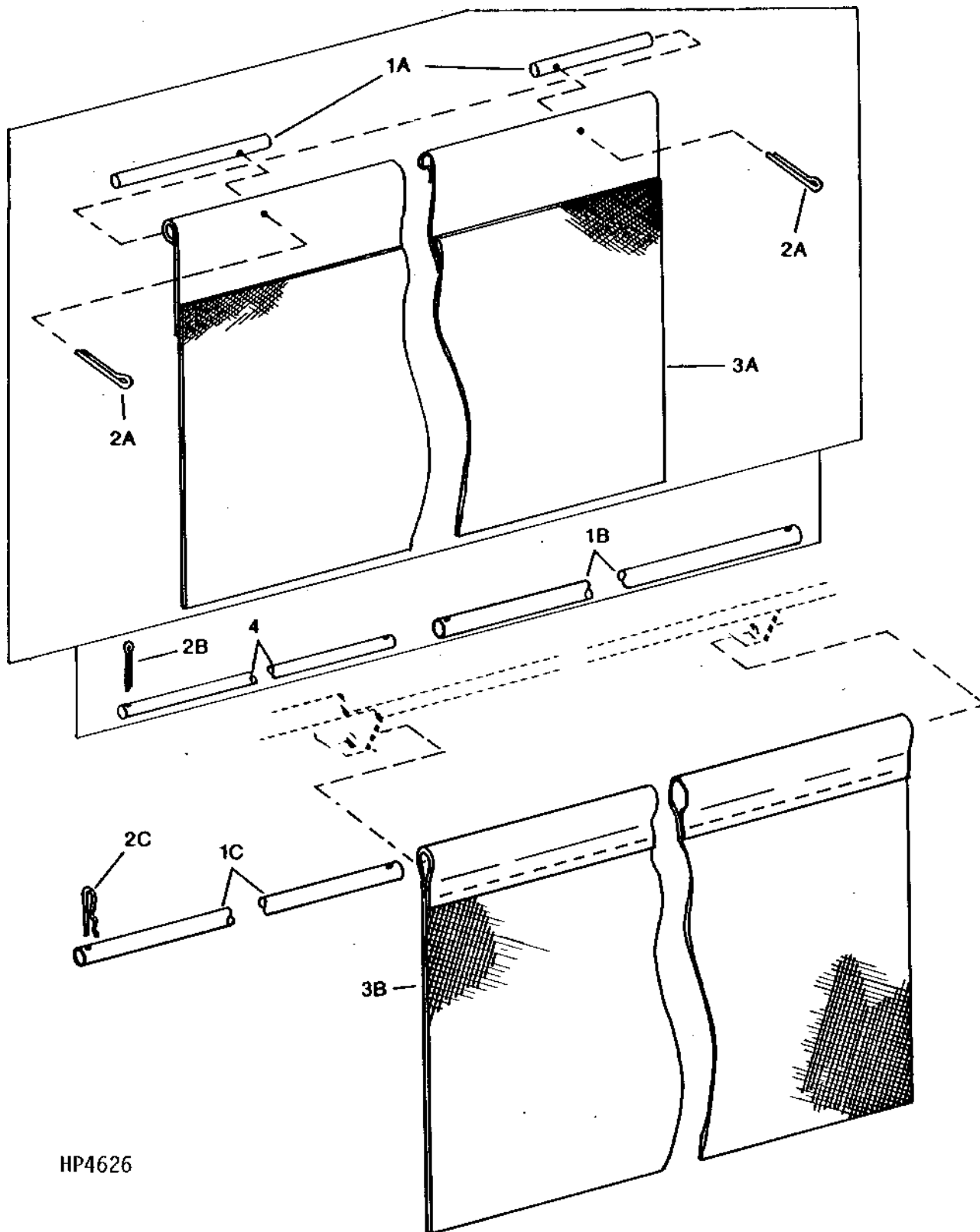
THRESHING AND SEPARATION

STRAW WALKER CRANKS, STRAW SPREADER DRIVE AND SHIELD - CONTINUED

KEY	PART NO.	PART NAME	QTY	SERIAL NO.	S H 9 5 0 0	REMARKS
1	AH133191	ECCENTRIC LOCKING COLLAR	3		X X	L.H. ON FRONT CRANK AND BOTH ON REAR CRANK
2	22M7081	SET SCREW	3		X X	M10 X 10
3	03M7191	BOLT	12		X X	M10 X 25
4	H103265	PRESSED FLANGED HOUSING	8		X X	
5	AZ19427	BALL BEARING	1		X X	FRONT L.H. ONLY
6	14M7296	FLANGE NUT	6		X X	M10
7A	AH131348	SHAFT	1	-650239	X X	(SUB AH139916) (ALSO REQUIRES (4) H150717, (4) H150716, (4) AH145687 OR (4) AH145935, (16) 03M7359 AND (16) 14M7465); FRONT CRANK ONLY
	AH131350	SHAFT	1	-650200	X X	(SUB AH139918) (ALSO REQUIRES (4) AH145686 OR (4) H150717, (4) H150716, (4) JD7759, (16) 03M7359 AND (16) 14M7465; REAR CRANK ONLY
7B	AH139916	SHAFT	1	-660200	X X	(SUB AH145603) FRONT CRANK ONLY
	AH145603	SHAFT	1	-667782	X X	(SUB AH151332, H155973 AND N134803) FRONT CRANK ONLY (HEAT TREATED)
	AH139918	SHAFT	1	-660200	X X	(SUB AH145604) REAR CRANK ONLY
	AH145604	SHAFT	1		X X	REAR CRANK ONLY (HEAT TREATED)
	AH151332	CRANKSHAFT	1	667783-	X X	
8	H138344	SHAFT KEY	1		X X	
9	H135519	SPACER	1		X X	FRONT R.H. ONLY
10	AH132823	BALL BEARING	1		X X	FRONT R.H. ONLY
	JD39104	BALL BEARING	2		X X	REAR CRANK ONLY
11	03M7190	BOLT	1		X X	M10 X 20
12	H138435	SET SCREW	2		X X	
13	14M7274	NUT	2		X X	M10
14	AH114359	SHEAVE	1		X X	STRAW SPREADER DRIVE (L.H. REAR)(I D 1.370)
15	H128234	BELT	1		X X	STRAW SPREADER DRIVE
16	H140020	GUIDE	1		X X	
17	AH141393	LOCKING COLLAR	8		X X	

8J7

SEPARATOR CURTAIN
(RASP BAR CYLINDER)
HP4626 -UN-01JAN94



HP4626

8J8

THRESHING AND SEPARATION

SEPARATOR CURTAIN - CONTINUED
(RASP BAR CYLINDER)

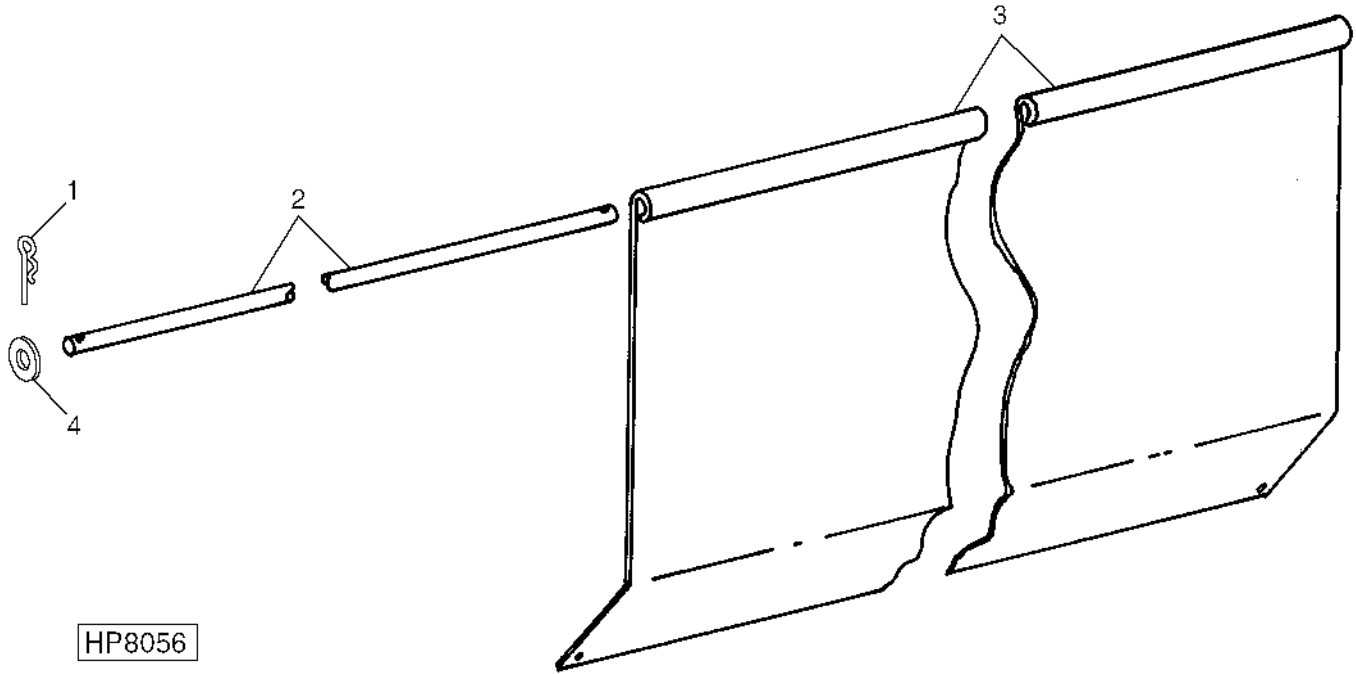
KEY	PART NO.	PART NAME	QTY	SERIAL NO.	S H 9 5 0 0 0 0	REMARKS
1A	H131865	PIN	2	-640581	X	(SUB H145880)
1B	H145880	PIPE	1	-640581	X	
1C	H144825	PIPE	1	640582-670200	X X	
	H158973	TUBE	1	-670441	X X	
	H144825	PIPE	1	670442-	X X	
2A	11M7059	COTTER PIN	2	-640581	X	
2B	11H211	COTTER PIN	2	640582-650200	X X	(SUB 11M1383)
	11M1383	COTTER PIN	2		X X	
2C	A15147	SPRING LOCKING PIN	2	640582-	X X	
3A	AH125391	LIMIT CURTAIN	1	-640581	X	(SUB H144823 AND H145880 AND H76863 AND (2) 11M1383)
3B	H144823	LIMIT CURTAIN	1		X X	
4	H76863	PIN	2	-640581	X	

8J9

THRESHING AND SEPARATION

**SEPARATOR CURTAIN
(SPIKE-TOOTH CYLINDER)**

HP8056 -UN-30NOV98



HP8056

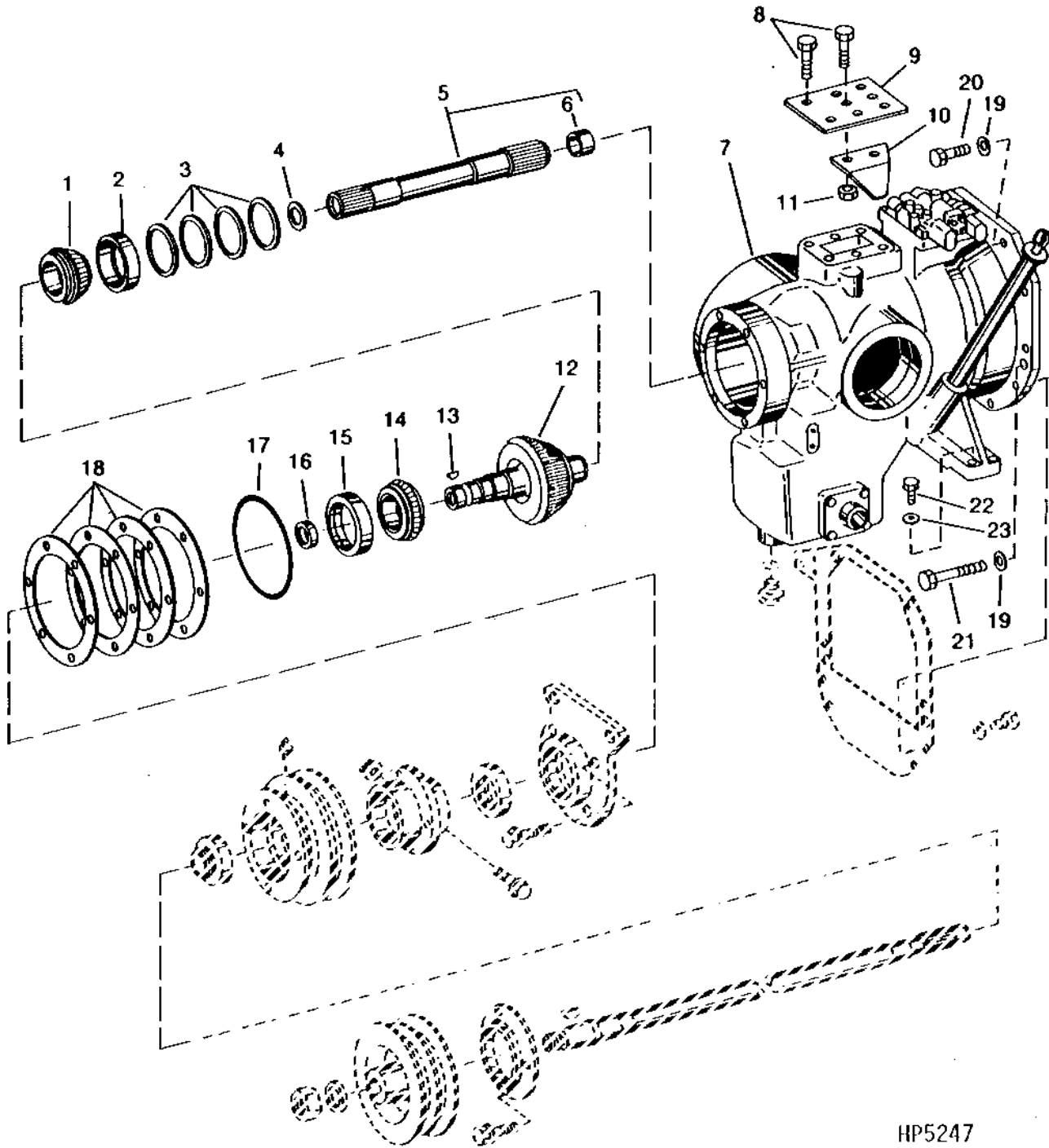
KEY	PART NO.	PART NAME	QTY	SERIAL NO.	S H 9 5 0 0	REMARKS
1	A15147	SPRING LOCKING PIN	2		X	
2	H76863	PIN	1		X	9.525 X 1 426.464 MM
3	H145516	DEFLECTOR	1		X	STEEL; (FOR RICE AND GRAIN COMBINES)
4	T20217	WASHER	2		X	

MEMORANDA

9C4

DRIVES

ENGINE GEARCASE
(STRAW CHOPPER, UNLOADING AND SEPARATOR DRIVE GEAR)
HP5247 -UN-01JAN94



HP5247

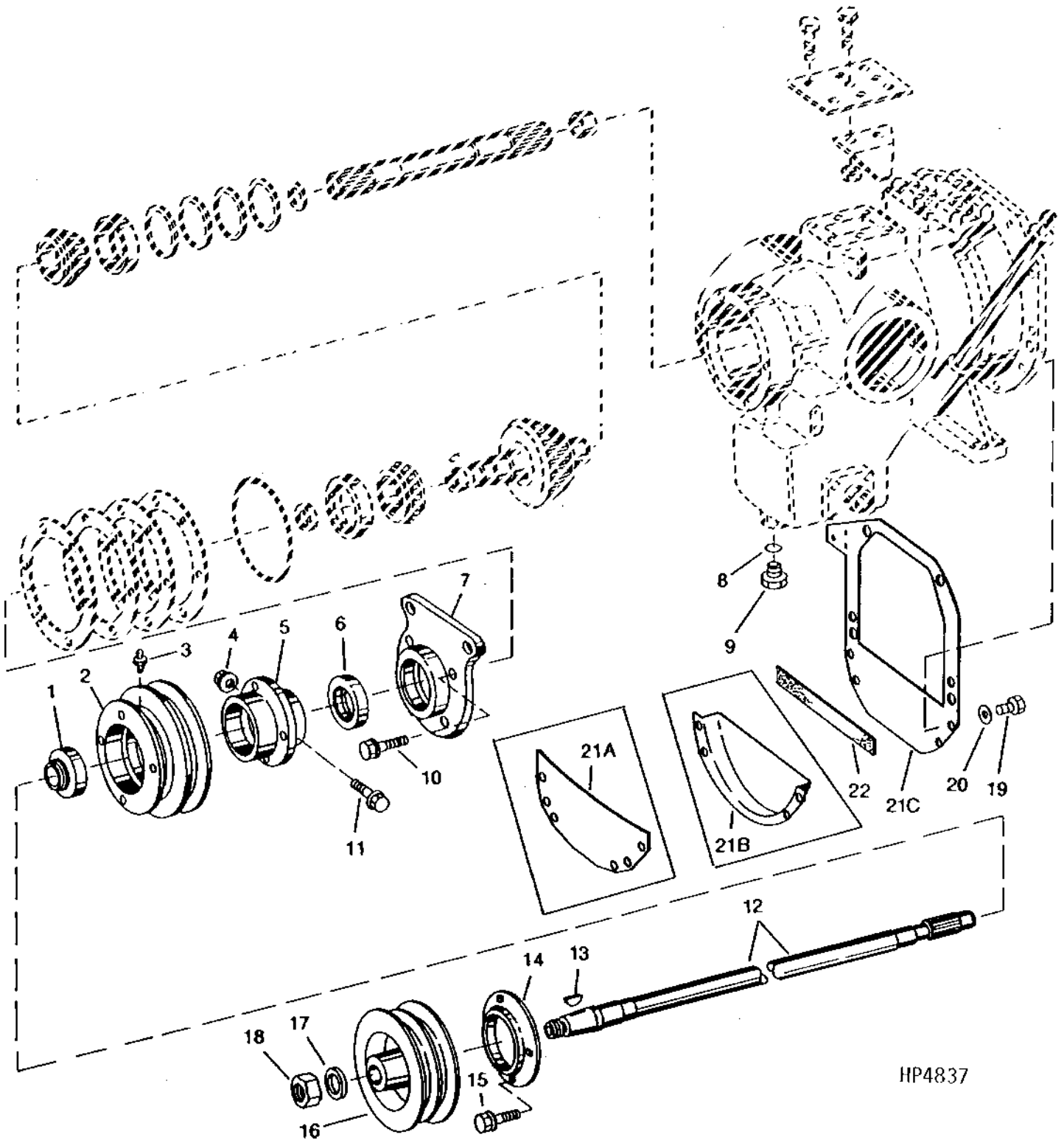
**ENGINE GEARCASE - CONTINUED
(STRAW CHOPPER, UNLOADING AND SEPARATOR DRIVE GEAR)**

KEY	PART NO.	PART NAME	QTY	SERIAL NO.	REMARKS
					S H 9 9 5 5 0 0 0 0
1	JD9091	BEARING CONE	1		X X
2	JD9146	BEARING CUP	1		X X
3	L29041	SHIM	AR		X X 0.08 (MM) .003 STEEL
	L29042	SHIM	AR		X X 0.13 (MM) .005 STEEL
	L29043	SHIM	AR		X X 0.25 (MM) .010 STEEL
	L29044	SHIM	AR		X X 0.05 (MM) .020 STEEL
4	P46770	SNAP RING	1		X X
5	AH139118	SHAFT	1		X X (SUB FOR AH120978)
6	R43305	BUSHING	1		X X
7	H126587	GEAR CASE	1		X X
8	19M7866	SCREW	8		X X M8 X 20
9	H127159	COVER	1		X X USE TY15130
10	H130140	TROUGH	1		X X
11	14M7396	LOCK NUT	2		X X M8
12	BEVEL GEAR DRIVE	1		X X 37 TEETH, (ORDER AH125207)
13	26H105	SHAFT KEY	1		X X 3/8" X 2-1/8"
14	JD8162	BEARING CONE	1		X X
15	JD8206	BEARING CUP	1		X X
16	AT28975	SEAL	1		X X
17	H125838	O-RING	1		X X 177.165 X 5.334 MM (6.975" X 0.210")
18	H125740	SHIM	AR		X X 0.08 (MM) .003 PLASTIC
	H125741	SHIM	AR		X X 0.13 (MM) .005 STEEL
	H125742	SHIM	AR		X X 0.25 (MM) .010 STEEL
	H125743	SHIM	AR		X X 0.50 (MM) .020 STEEL
19	24M7242	WASHER	4		X X 21.400 X 42 X 5 MM
20	19H1782	CAP SCREW	2		X X 3/4" X 2-1/4"
21	19H2000	CAP SCREW	2		X X 3/4" X 5"
22	19M8162	CAP SCREW	4		X X M10 X 40
23	14M7296	FLANGE NUT	4		X X M10
..	TY15130	SEALANT	1		X X SIZE- 3 OZ. RTV (CANADA PART NO TY9484)
..	AH125207	BEVEL GEAR	1		X X 37 AND 56 TEETH
..	AH139321	GEAR CASE	1		X X (SUB FOR AH134861) (USED WITH RING AND PINION FINAL DRIVE) LESS DIPSTICK

9C6

DRIVES

ENGINE GEARCASE
(STRAW CHOPPER, UNLOADING AND SEPARATOR DRIVE GEAR)
HP4837 -UN-01JAN94



HP4837

9C7

DRIVES

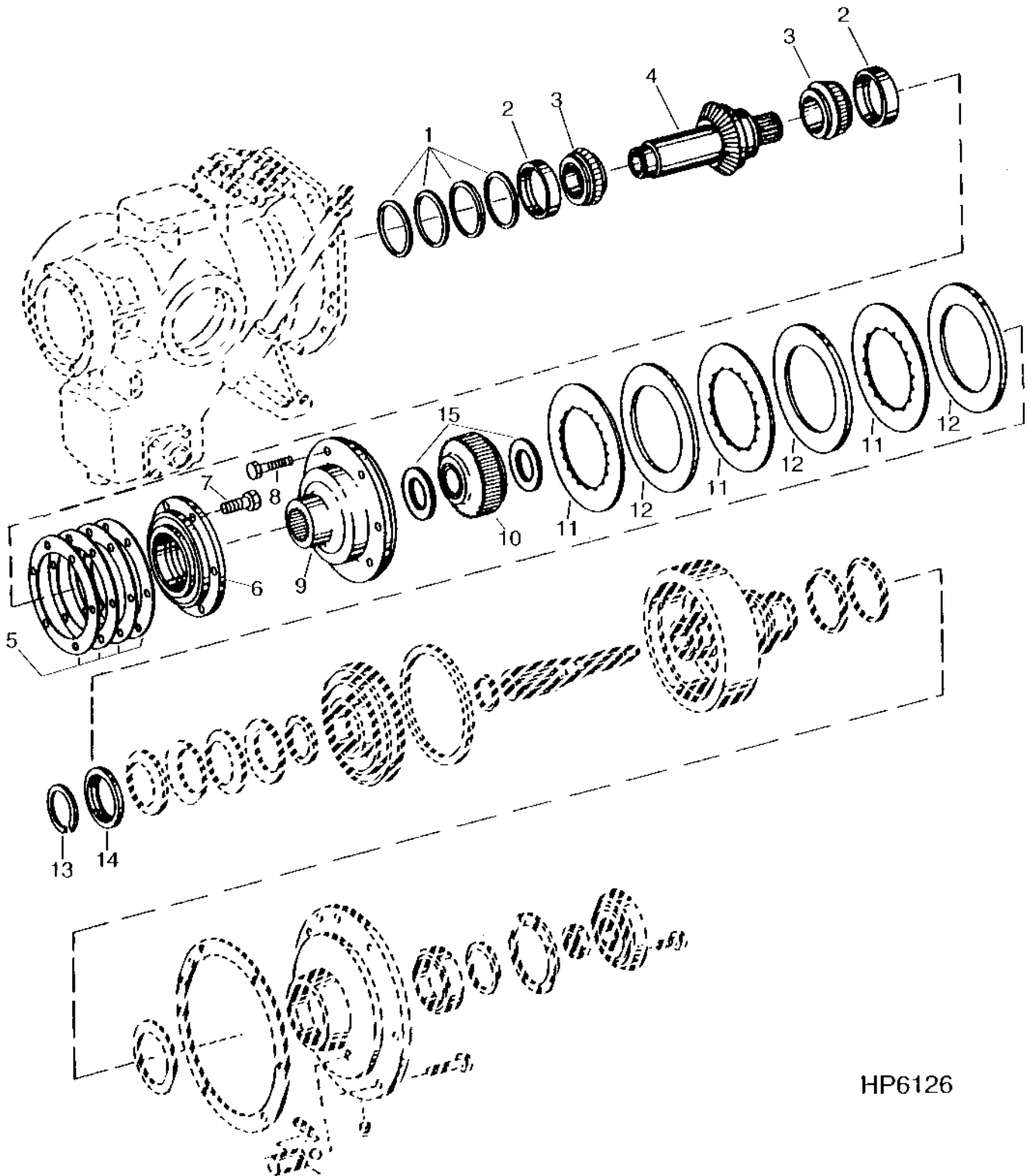
**ENGINE GEARCASE - CONTINUED
(STRAW CHOPPER, UNLOADING AND SEPARATOR DRIVE GEAR)**

KEY	PART NO.	PART NAME	QTY	SERIAL NO.	S H 9 5 0 0 0 0	REMARKS
1	AH108813	BALL BEARING	1	-671441	X X	
	AH151653	BALL BEARING	1	671442-	X X	
2	H143430	SHEAVE	1		X X	(SUB FOR H132390)
3	JD7797	LUBRICATION FITTING	1		X X	
4	14M7296	FLANGE NUT	2		X X	M10
5	H101878	HUB	1		X X	
6	AH117643	SEAL	1		X X	
7	H144834	HOUSING	1		X X	(SUB FOR H125739)
8	R26906	O-RING	1		X X	19.177 X 2.464 MM (0.755" X 0.097")
9	R27474	DRAIN PLUG	1		X X	
10	19M7835	SCREW	6		X X	M10 X 35
11	19M7812	SCREW	2		X X	M10 X 100
12	H129934	SHAFT	1		X X	
13	26M6787	SHAFT KEY	1		X X	10 X 32 MM
14	H75385	PRESSED FLANGED HOUSING	1		X X	
15	19M8306	SCREW	4		X X	M12 X 50
16	H129935	SHEAVE	1		X X	
17	24H1481	WASHER	1		X X	1-5/32" X 2" X 0.134"
18	H82619	LOCK NUT	1		X X	28.575 MM (1-1/8")
19	19M7866	SCREW	1		X X	M8 X 20
20	24M7055	WASHER	4		X X	8.400 X 16 X 1.600 MM (0.331" X 0.630" X 0.063")
21A	H134387	COVER	1	-632664	X X	(SUB H145315)
21B	H141769	COVER	1	-640719	X X	(SUB H145315)
21C	H145315	PLATE	1		X X	(SUB H170303)
	H170303	COVER	1		X X	
22	H88771	ISOLATOR	1		X X	
..	TY15130	SEALANT	1		X X	SIZE- 3 OZ. RTV (CANADA PART NO TY9484)
..	AH125207	BEVEL GEAR	1		X X	37 AND 56 TEETH
..	AH139321	GEAR CASE	1		X X	(SUB FOR AH134861) (USED WITH RING AND PINION FINAL DRIVE) LESS DIPSTICK

9C8

DRIVES

ENGINE GEARCASE
(SEPARATOR DRIVE, WET-CLUTCH AND PUMP DRIVE SHAFT)
HP6126 -UN-25AUG95



HP6126

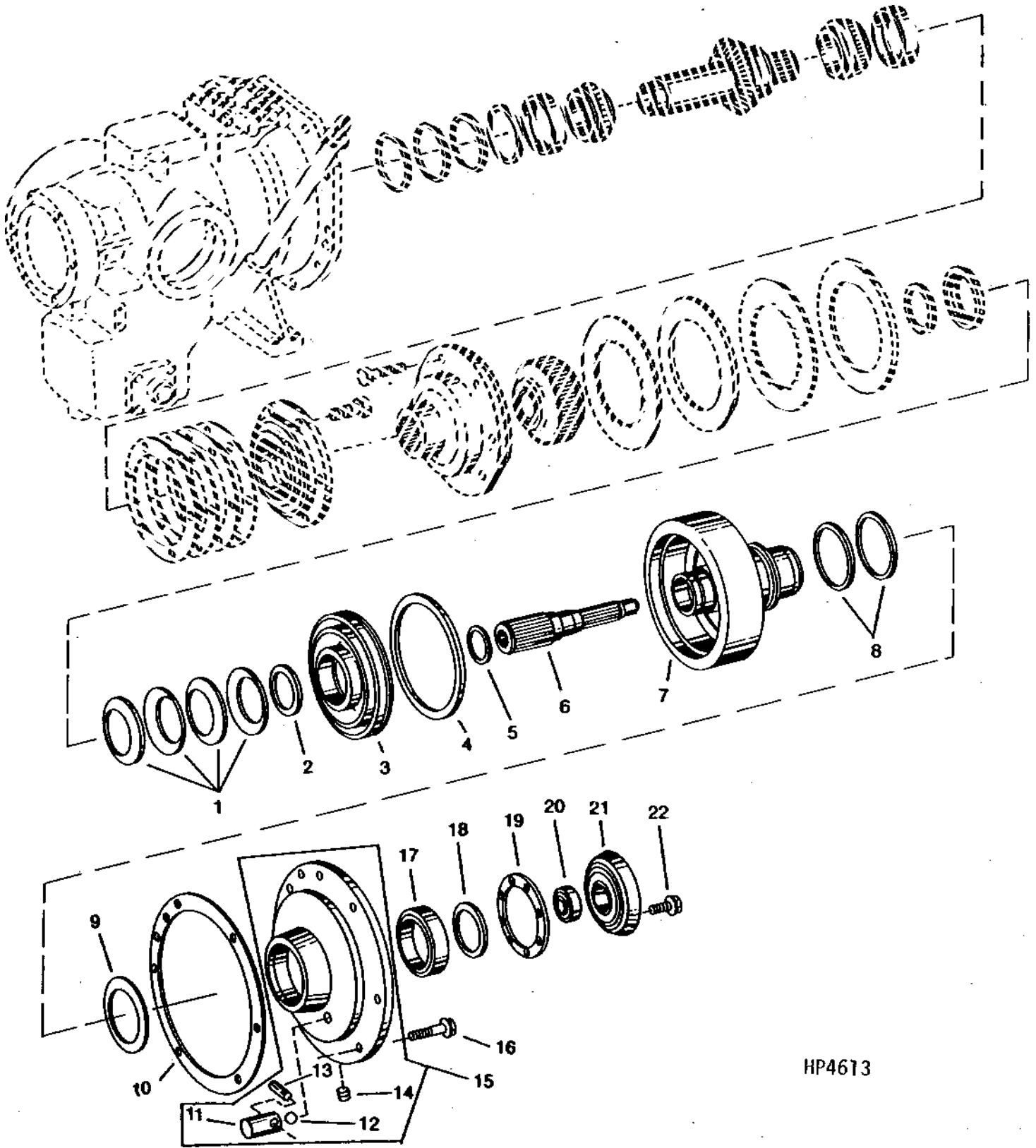
**ENGINE GEARCASE - CONTINUED
(SEPARATOR DRIVE, WET-CLUTCH AND PUMP DRIVE SHAFT)**

KEY	PART NO.	PART NAME	QTY	SERIAL NO.	S H 9 5 0 0 0	REMARKS
1	H119028	SHIM	AR		X X	0.08 (MM) .003 PLASTIC
	H119029	SHIM	AR		X X	0.13 (MM) .005 STEEL
	H119030	SHIM	AR		X X	0.25 (MM) .010 STEEL
	H119031	SHIM	AR		X X	0.50 (MM) .020 STEEL
2	JD8206	BEARING CUP	2		X X	
3	JD8162	BEARING CONE	2		X X	
4	GEAR	1		X X	33 TEETH, (ORDER AH125293)
5	H125740	SHIM	AR		X X	0.08 (MM) .003 PLASTIC
	H125741	SHIM	AR		X X	0.13 (MM) .005 STEEL
	H125742	SHIM	AR		X X	0.25 (MM) .010 STEEL
	H125743	SHIM	AR		X X	0.50 (MM) .020 STEEL
6	H125733	HOUSING	1		X X	
7	19M7835	SCREW	6		X X	M10 X 35
8	19M7786	SCREW	6		X X	M10 X 30
9	H125357	HUB	1	-646858	X	USED WITH 2 CLUTCH DISK
	H144761	HUB	1	646859-	X X	USED WITH 3 CLUTCH DISK
10	AH120738	HUB	1	-643457	X	(SUB AH138660)
	AH138660	HUB	1		X X	
11	AH125490	CLUTCH DISK	2	-662159	X	FOR ALL COMBINES
	AH125490	CLUTCH DISK	3	662160-	X X	FOR GRAIN COMBINES WITH LOW HORSE POWER
12	T70309	PLATE	2	-662159	X	FOR ALL COMBINES
	T70309	PLATE	3	662160-	X X	FOR GRAIN COMBINES WITH LOW HORSE POWER
13	T50409	SNAP RING	1		X X	
14	T49676	RETAINER	1		X X	
15	R76674	WASHER	2		X X	71.374 X 85.090 X 1.575 MM (2.810" X 3.350" X 1/16")

9C10

DRIVES

ENGINE GEARCASE
HP4613 -UN-01JAN94



HP4613

9C11

DRIVES

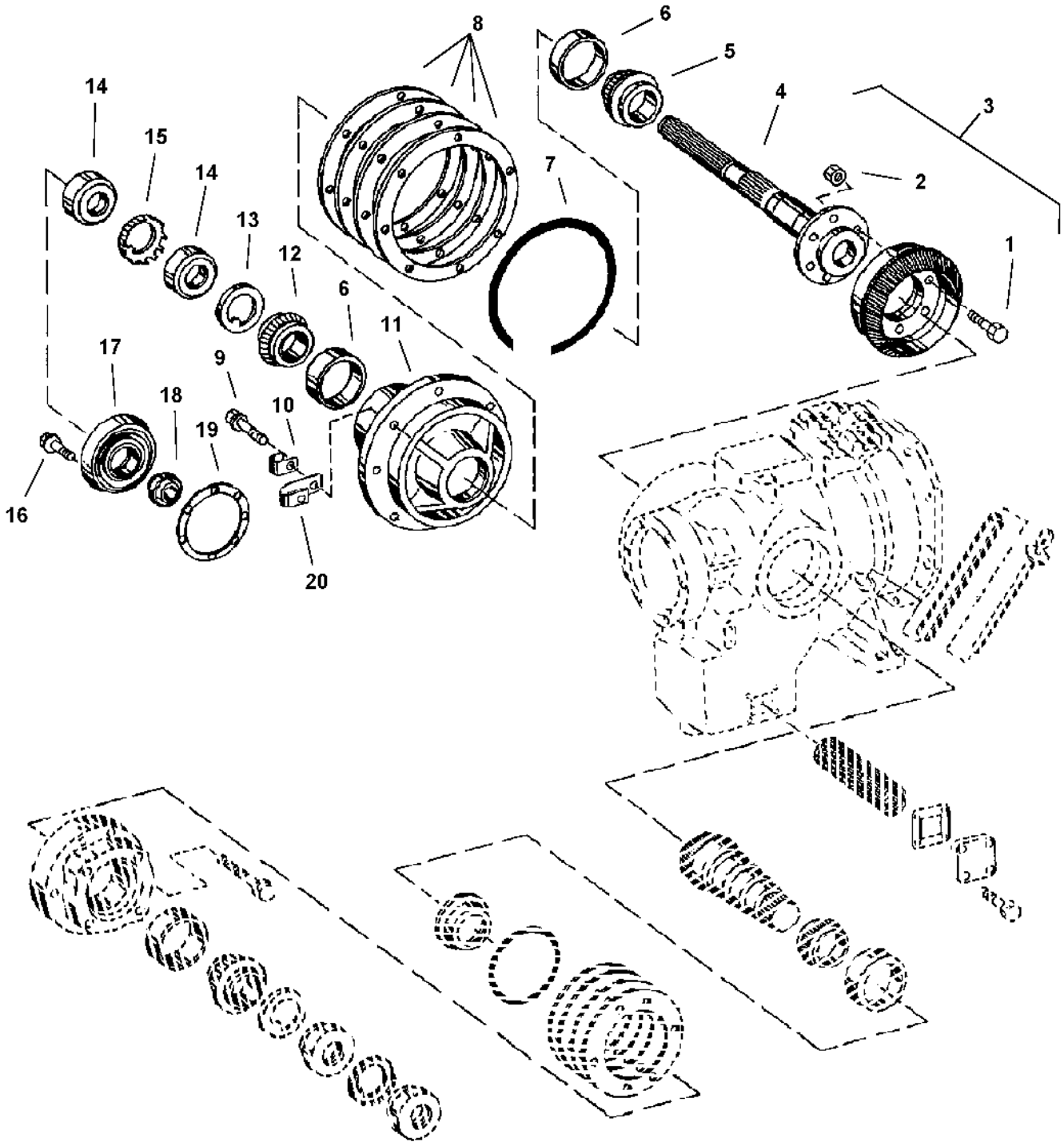
ENGINE GEARCASE - CONTINUED

KEY	PART NO.	PART NAME	QTY	SERIAL NO.	S H 9 9 5 5 0 0 0 0	REMARKS
1	T50415	DISK SPRING	4		X X	
2	T62508	WASHER	1		X X	78.892 X 90.576 X 1.981 MM (3.106" X 3.566" X 5/64")
3	H128937	PISTON	1		X X	
4	T62509	WASHER	1		X X	208.839 X 229.362 X 1.981 MM (8.222" X 9.030" X 5/64")
5	H132400	PISTON RING	1		X X	
6	H148768	SHAFT	1		X X	(SUB FOR H125351)
7	H144759	DRUM	1		X X	(SUB FOR H125352 OR H143426)
8	R77764	RING	2		X X	
9	R76937	WASHER	1		X X	115 X 143 X 1.570 MM (4.528" X 5.630" X 0.062")
10	H125354	GASKET	1		X X	
11	R68824	SEAT	1		X X	
12	400R	BALL	1		X X	
13	H111474	PIN	1		X X	40.323 X 264.414 MM (1.588" X 10.410")
14	15H559	PIPE PLUG	1		X X	USE TY9374
15	AH120737	HOUSING	1		X X	
16	19M7835	SCREW	6		X X	M10 X 35
17	JD8676	BALL BEARING	1		X X	
18	A1402R	SNAP RING	1		X X	UP TO GEARBOX S/N - CEGB 100000 TO 111860
	T14323	SNAP RING	1		X X	GEARBOX S/N CEGB 111861 - AND UP
19	H125356	GASKET	1		X X	
20	AT48334	SEAL	1	-651081	X X	
	AH142870	SEAL	1		X X	
21	H148769	HOUSING	1		X X	(SUB FOR H125355)
22	19M7863	SCREW	8		X X	M6 X 25
..	TY9374	SEALANT	1		X X	SIZE- 6 ML
..	AH139321	GEAR CASE	1		X X	(SUB FOR AH134861) (USED WITH RING AND PINION FINAL DRIVE) LESS DIPSTICK

9C12

DRIVES

ENGINE GEARCASE
(SEPARATOR AND PUMP DRIVE)
HP7244 -UN-07NOV97



HP7244

9C13

DRIVES

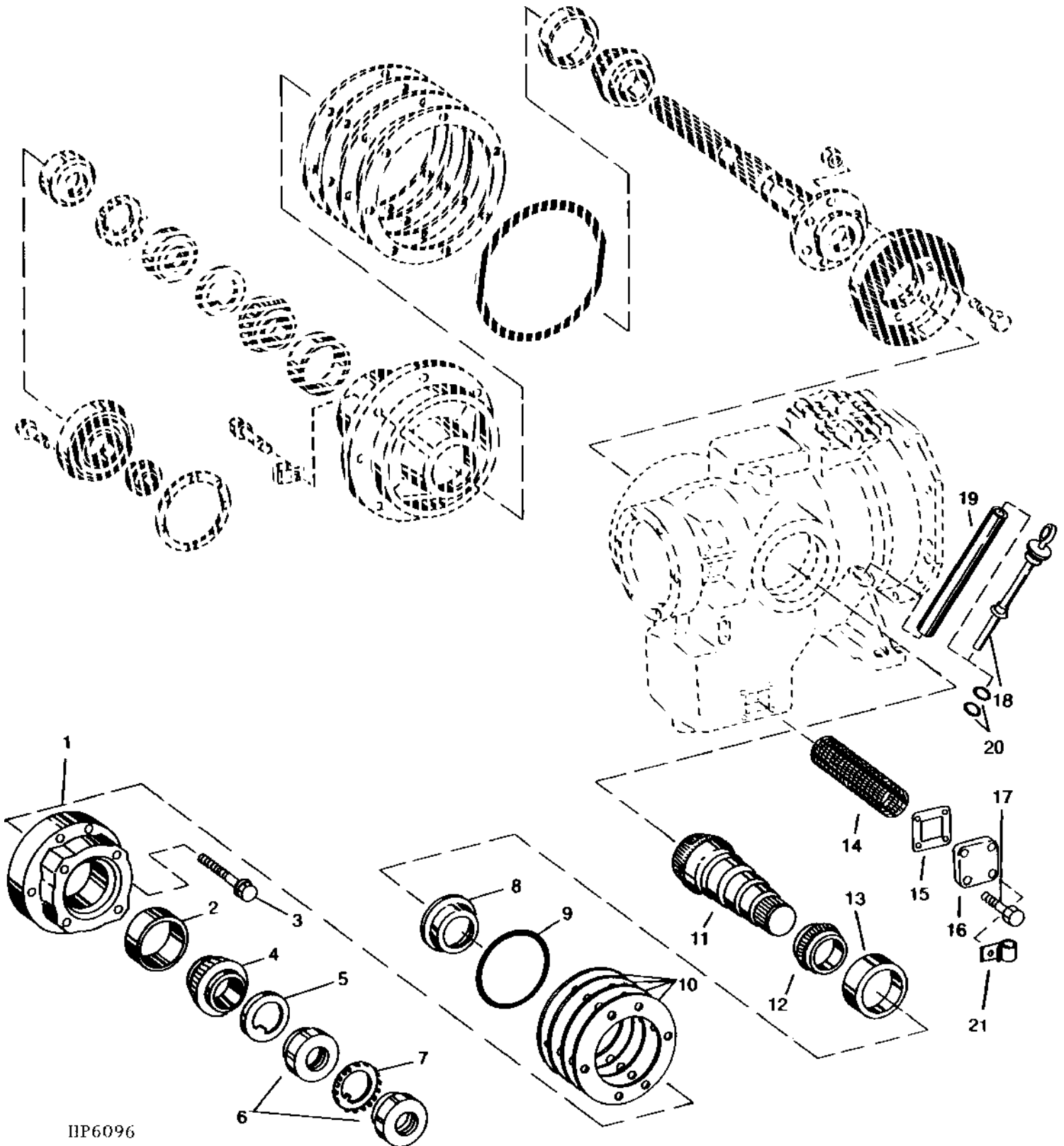
**ENGINE GEARCASE - CONTINUED
(SEPARATOR AND PUMP DRIVE)**

KEY	PART NO.	PART NAME	QTY	SERIAL NO.	S H 9 5 0 0 0 0	REMARKS
1	H110178	SCREW	6		X X	M10 X 30
2	14M7274	NUT	6		X X	M10
3	GEAR	1		X X	(ORDER AH125207) 56 TEETH
4	H126069	HUB	1	-650311	X X	(SUB H148770)
	H148770	HUB	1		X X	
5	JD8162	BEARING CONE	1		X X	
6	JD8206	BEARING CUP	2		X X	
7	H125839	O-RING	1		X X	241.300 X 5.330 MM (9-1/2" X 0.210")
8	H125841	SHIM	AR		X X	0.08 (MM) .003 PLASTIC
	H125842	SHIM	AR		X X	0.13 (MM) .005 STEEL
	H125843	SHIM	AR		X X	0.25 (MM) .010 STEEL
	H125844	SHIM	AR		X X	0.50 (MM) .020 STEEL
9	19M7835	SCREW	7		X X	M10 X 35
10	AH96317	CLIP	1	-665200	X X	(SUB FOR AH89486)
	AH90990	CLIP	1	665201-	X X	
11	H125840	HOUSING	1		X X	
12	JD9007	BEARING CONE	1		X X	
13	H110800	LOCK WASHER	1		X X	
14	H122650	LOCK NUT	2		X X	59.919 MM (2-23/64")
15	H110801	LOCK WASHER	1		X X	
16	19M7863	SCREW	8		X X	M6 X 25
17	H125355	HOUSING	1	-655233	X X	
	H148769	HOUSING	1		X X	
18	AT48334	SEAL	1	-651081	X X	
	AH142870	SEAL	1		X X	
19	H125356	GASKET	1		X X	
20	AH117301	CLAMP	1	29SEP7-	X X	

9C14

DRIVES

ENGINE GEARCASE
(SEPARATOR AND PUMP DRIVE)
HP6096 -UN-28JUN95



HP6096

9C15

DRIVES

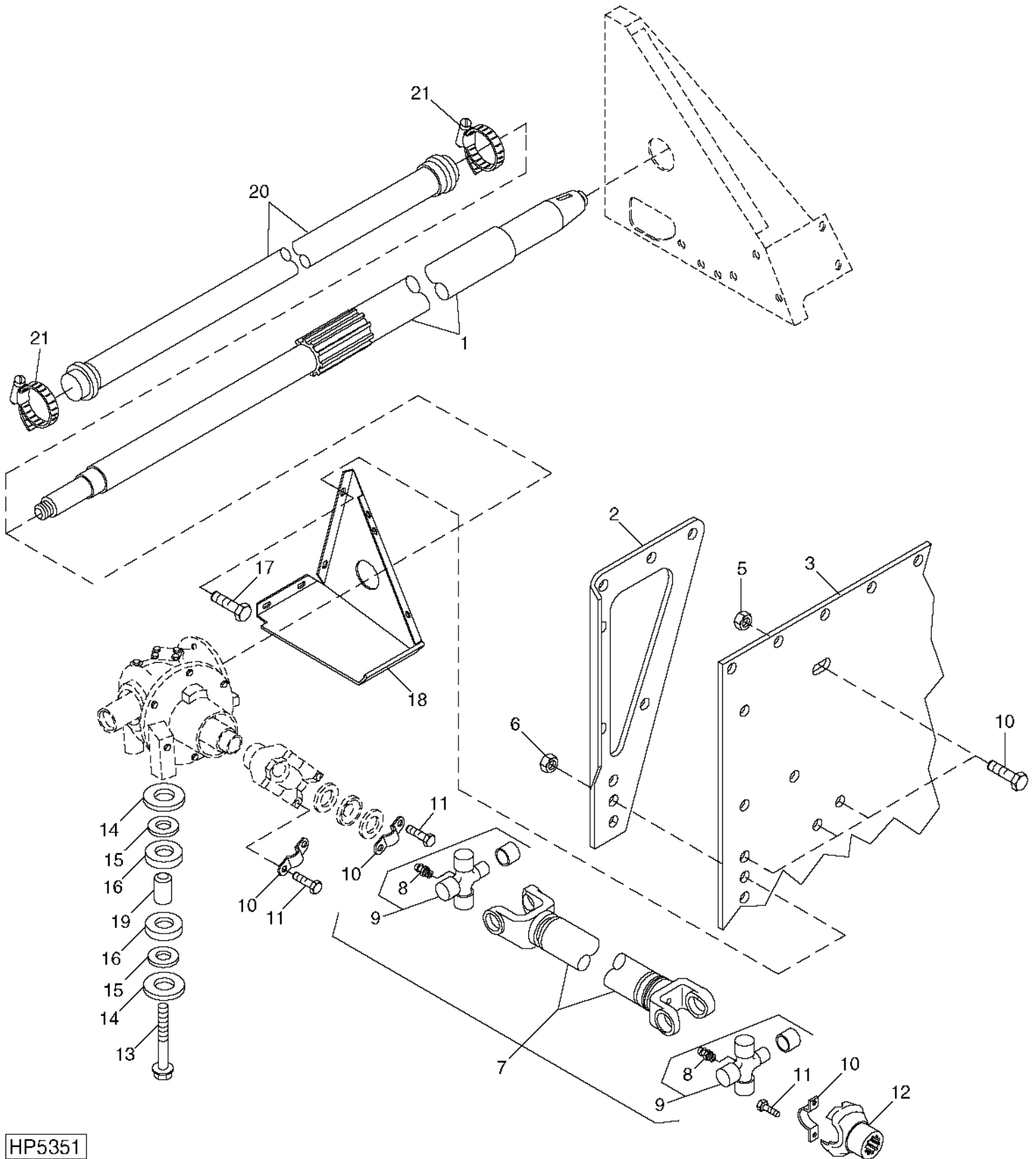
**ENGINE GEARCASE - CONTINUED
(SEPARATOR AND PUMP DRIVE)**

KEY	PART NO.	PART NAME	QTY	SERIAL NO.	S H 9 5 0 0 0 0	REMARKS
1	H125738	HOUSING	1		X X	
2	JD8206	BEARING CUP	1		X X	
3	19M7805	SCREW	5		X X	M10 X 45
4	JD9007	BEARING CONE	1		X X	
5	H110800	LOCK WASHER	1		X X	61 X 95.250 X 4.750 MM (2.402" X 3-3/4" X 0.187")
6	H122650	LOCK NUT	2		X X	59.919 MM (2-23/64")
7	H110801	LOCK WASHER	1		X X	
8	H125837	OIL CUP	1		X X	
9	R72032	O-RING	1		X X	142.240 X 5.334 MM (5.600" X 0.210")
10	H125734	SHIM	AR		X X	0.08 (MM) .003 PLASTIC
	H125735	SHIM	AR		X X	0.13 (MM) .005 STEEL
	H125736	SHIM	AR		X X	0.25 (MM) .010 STEEL
	H125737	SHIM	AR		X X	0.50 (MM) .020 STEEL
11	GEAR	1		X X	(ORDER AH125293) 22 TEETH
12	JD9075	BEARING CONE	1		X X	
13	JD9132	BEARING CUP	1		X X	
14	R53169	SCREEN	1		X X	
15	H126792	GASKET	1		X X	
16	H126793	COVER	1		X X	
17	19M7868	SCREW	4		X X	M8 X 30
18	AH137310	DIPSTICK	1		X X	(SUB FOR AH123913) (SUB AH168683)
	AH168683	DIPSTICK	1		X X	
19	H132995	TUBE	1		X X	USE TY9371
20	A4730R	O-RING	2		X X	
21	AH90990	CLIP	2	665201-	X X	
..	TY9371	ADHESIVE	1		X X	6 ML HIGH STRENGTH
..	AH125207	BEVEL GEAR	1		X X	
..	AH125293	GEAR	1		X X	
..	AH139321	GEAR CASE	1		X X	(SUB FOR AH134861) USED WITH 6076 ENGINE WITH RING & PINION FINAL DRIVE - LESS DIPSTICK

9C16

DRIVES

DRIVE SHAFT, GEARCASE MOUNTING AND PRIMARY COUNTERSHAFT
HP5351 -UN-17AUG99



HP5351

DRIVE SHAFT, GEARCASE MOUNTING AND PRIMARY COUNTERSHAFT - CONTINUED

KEY	PART NO.	PART NAME	QTY	SERIAL NO.	S H 9 5 0 0	REMARKS
1	H147483	SHAFT	1		X X	(SUB FOR H127189)
2	H131228	ANGLE	1		X X	
3	H130903	SHEET	1	-640200	X	
	H147911	SHEET	1	640201-	X X	(SUB FOR H143385 OR H145530)
4	19M7866	SCREW	4		X X	M8 X 20
5	14M7298	FLANGE NUT	4		X X	M8
6	14M7296	FLANGE NUT	5		X X	M10
7	AH125688	DRIVE SHAFT	1		X X	
8	JD7797	LUBRICATION FITTING	2		X X	
9	AH122018	UNIVERSAL JOINT	2		X X	
10	R85168	CLAMP	4		X X	
11	R85169	SELF-LOCKING SCREW	8		X X	
12	H121681	YOKE	1		X X	
13	19M7827	SCREW	2		X X	M16 X 80
14	P50456	WASHER	4		X X	
15	H148132	BUSHING	4		X X	(SUB FOR H80197)
16	H148133	RETAINER	4		X X	(SUB FOR H78856)
17	19M7785	SCREW	5		X X	M10 X 25
18	AH135565	SHEET	1		X X	(SUB FOR AH126276)
19	H148134	SPACER	2		X X	(SUB FOR H85482)
20	AH163802	KIT	1		X X	(SUB FOR AH141389) INCLUDES (2) TY22494 CLAMPS
21	AR60499	CLAMP	2	-661617	X X	
	TY22494	HOSE CLAMP	2		X X	

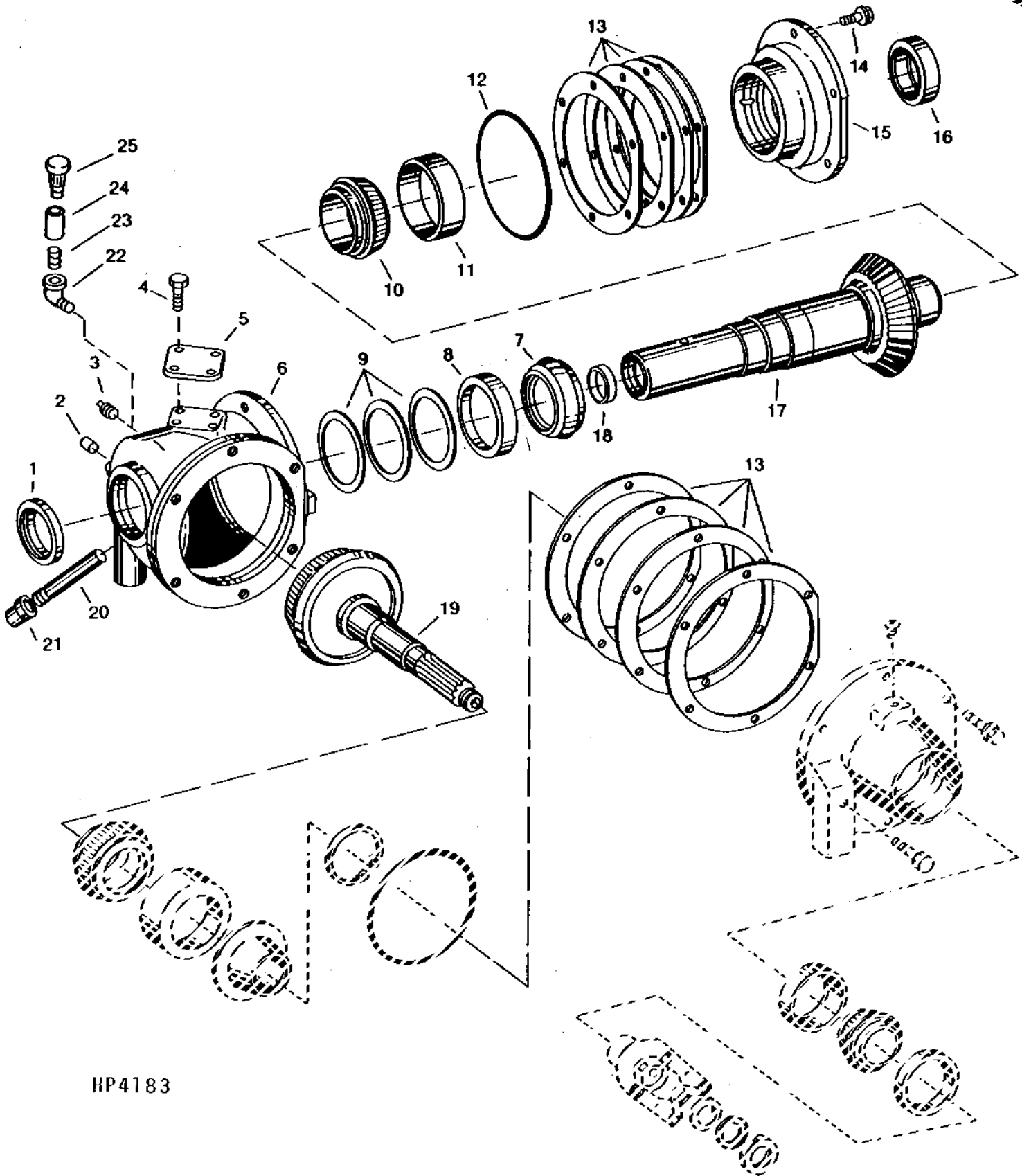
9C18

DRIVES

PRIMARY COUNTERSHAFT GEARCASE

(-640200)

HP4183 -UN-01JAN94



HP4183

9C19

DRIVES

PRIMARY COUNTERSHAFT GEARCASE - CONTINUED
(-640200)

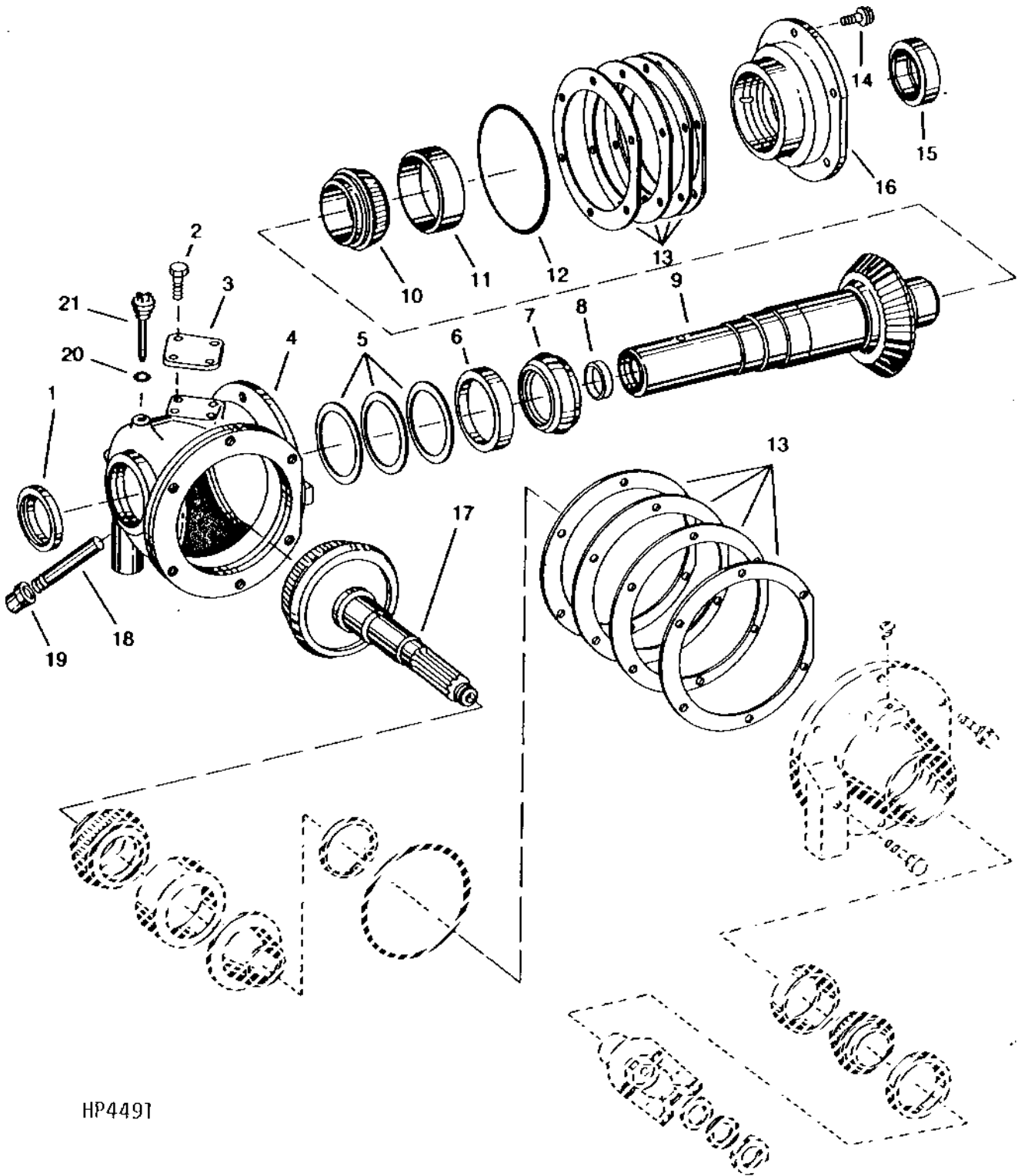
KEY	PART NO.	PART NAME	QTY	SERIAL NO.	S H 9 5 0 0 0 0	REMARKS
1	AT16887	SEAL	1	-638898	X X	
	AH137772	SEAL	1	638899-	X X	
2	AH112033	SIGHT PLUG	1		X X	
3	15H237	PIPE PLUG	1	637540-	X X	1/2"
4	19M7866	SCREW	4		X X	M8 X 20
5	H75267	COVER	1		X X	
6	H126721	GEAR CASE	1		X X	
7	JD8164	BEARING CONE	1		X X	
8	JD8210	BEARING CUP	1		X X	
9	AT146272	SHIM	1		X	(INCLUDES (12) T34354, (12) T34355 AND (12) T34356)
10	JD7378	BEARING CONE	1		X	
11	JD7292	BEARING CUP	1		X	
12	H125838	O-RING	1		X	177.165 X 5.334 MM (6.975" X 0.210")
13	H114226	SHIM	2		X	0.080 MM (0.003") (USE ONLY ONE PER SIDE)
	H114227	SHIM	4		X	0.130 MM (0.005") (USE AS REQUIRED)
	H114228	SHIM	2		X	0.250 MM (0.010") (USE AS REQUIRED)
	H118927	SHIM	8		X	0.500 MM (0.020") (USE AS REQUIRED)
14	19M7786	SCREW	6		X	M10 X 30
15	H126564	HOUSING	1		X	
16	AT47901	SEAL	1	-638898	X	
	E56866	SEAL	1	638899-	X	
17	BEVEL GEAR	1		X	41 TEETH, (ORDER AH125243)
18	T69027	SEAL	1		X	
19	BEVEL GEAR	1		X	41 TEETH, (ORDER AH125243)
20	29H217	THREADED NIPPLE	1		X	1/2"
21	15H3	FITTING	1		X	1/2"
22	15H602	ELBOW FITTING	1	637541-	X	
23	29H593	THREADED NIPPLE	1	637541-637794	X	1/2" 2 1/2" LONG
	29H217	THREADED NIPPLE	1	637795-	X	1/2" 5" LONG
24	15H579	COUPLING	1	637541-	X	3/8"
25	AH20868	BREATHER	1	637541-	X	
..	AH125243	GEAR	1		X	GEARS, MATCHED SET WITH SHAFT
..	H116160	SEALANT	1		X	6 ML , 3 OZ. TUBE
..	TY15130	SEALANT	1		X	3 OZ., CANADA NO. TY9484
..	AH141049	GEAR CASE	1		X	(SUB FOR AH134865, AH137949 OR AH139019)

9C20

DRIVES

PRIMARY COUNTERSHAFT GEARCASE

(640201-)
HP4491 -UN-01JAN94



HP4491

PRIMARY COUNTERSHAFT GEARCASE - CONTINUED
(640201-)

KEY	PART NO.	PART NAME	QTY	SERIAL NO.	S H 9 5 0 0 0	REMARKS
1	AH137772	SEAL	1		X X	
2	19M7866	SCREW	4		X X	M8 X 20
3	H75267	COVER	1		X X	
4	H145001	GEAR CASE	1		X X	DIM. 0.050 MM (0.002 IN.) THICK
5	T34354	SHIM	2	-641663	X X	0.050 MM (0.002") THICK, (ORDER AT146272) USE AS REQUIRED; NO LONGER AVAILABLE
	T34355	SHIM	2	-641663	X X	0.127 MM (0.005") (ORDER AT146272) USE AS REQUIRED; NO LONGER AVAILABLE
	T34356	SHIM	5	-641663	X X	(ORDER AT146272) 0.254 MM (0.010") THICK USE AS REQUIRED; NO LONGER AVAILABLE
	AT146272	SHIM	1	661664-	X X	0.254 MM (0.0100 IN.) THICK
6	JD8210	BEARING CUP	1		X X	
7	JD8164	BEARING CONE	1		X X	
8	T69027	SEAL	1		X X	
9	GEAR	1		X X	(ORDER AH125243) 41 TEETH
10	JD7378	BEARING CONE	1		X X	
11	JD7292	BEARING CUP	1		X X	
12	H125838	O-RING	1		X X	177.165 X 5.334 MM (6.975" X 0.210")
13	H114226	SHIM	2		X X	0.080 MM (0.003") USE ONLY ONE PER SIDE
	H114227	SHIM	4		X X	0.130 MM (0.005") USE AS REQUIRED
	H114228	SHIM	2		X X	0.250 MM (0.010") USE AS REQUIRED
	H118927	SHIM	8		X X	0.500 MM (0.020") USE AS REQUIRED
14	19M7786	SCREW	6		X X	M10 X 30
15	E56866	SEAL	1		X X	
16	H126564	HOUSING	1		X X	
17	AH125243	GEAR	1		X X	GEARS, MATCHED SET WITH SHAFT
18	29H217	THREADED NIPPLE	1		X X	1/2"
19	15H3	FITTING	1		X X	1/2"
20	R26375	O-RING	1		X X	
21	AH141022	DIPSTICK	1		X X	(SUB FOR AH139015)
..	T43512	SEALANT	1		X X	MEDIUM STRENGTH - 50 ML, CANADA NO. TY9477
..	H116160	SEALANT	1		X X	6 ML, (3 OZ.), TUBE
..	TY15130	SEALANT	1		X X	6 ML, (3 OZ.) CANADA NO. TY9484
..	25M3827	GROOVE PIN	2		X X	INSERT THROUGH SERIAL NUMBER PLATE AND INTO GEAR CASE
..	AH141049	GEAR CASE	1		X X	

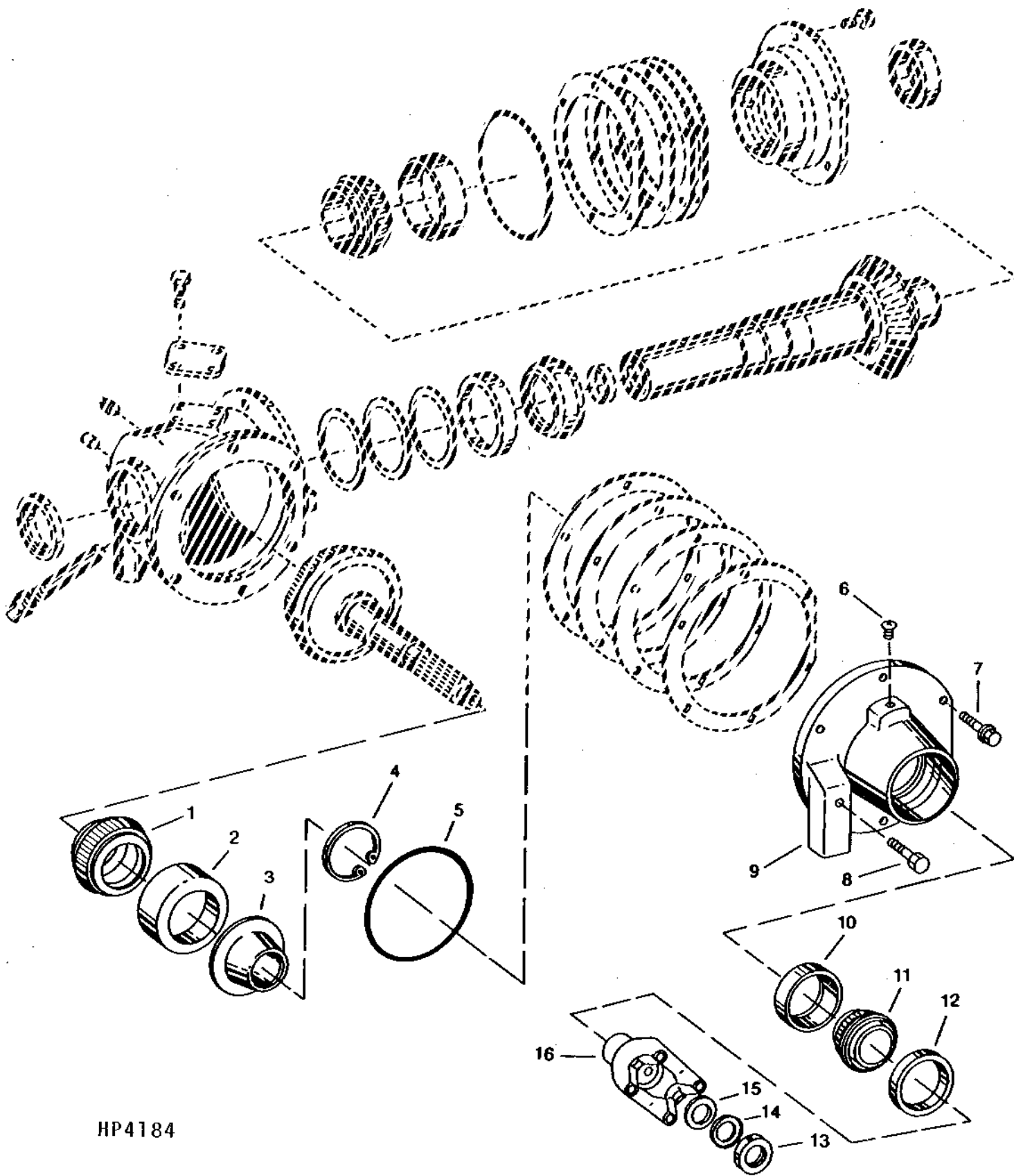
9C22

DRIVES

PRIMARY COUNTERSHAFT GEARCASE

(-640200)

HP4184 -UN-01JAN94



HP4184

PRIMARY COUNTERSHAFT GEARCASE- CONTINUED

(-640200)

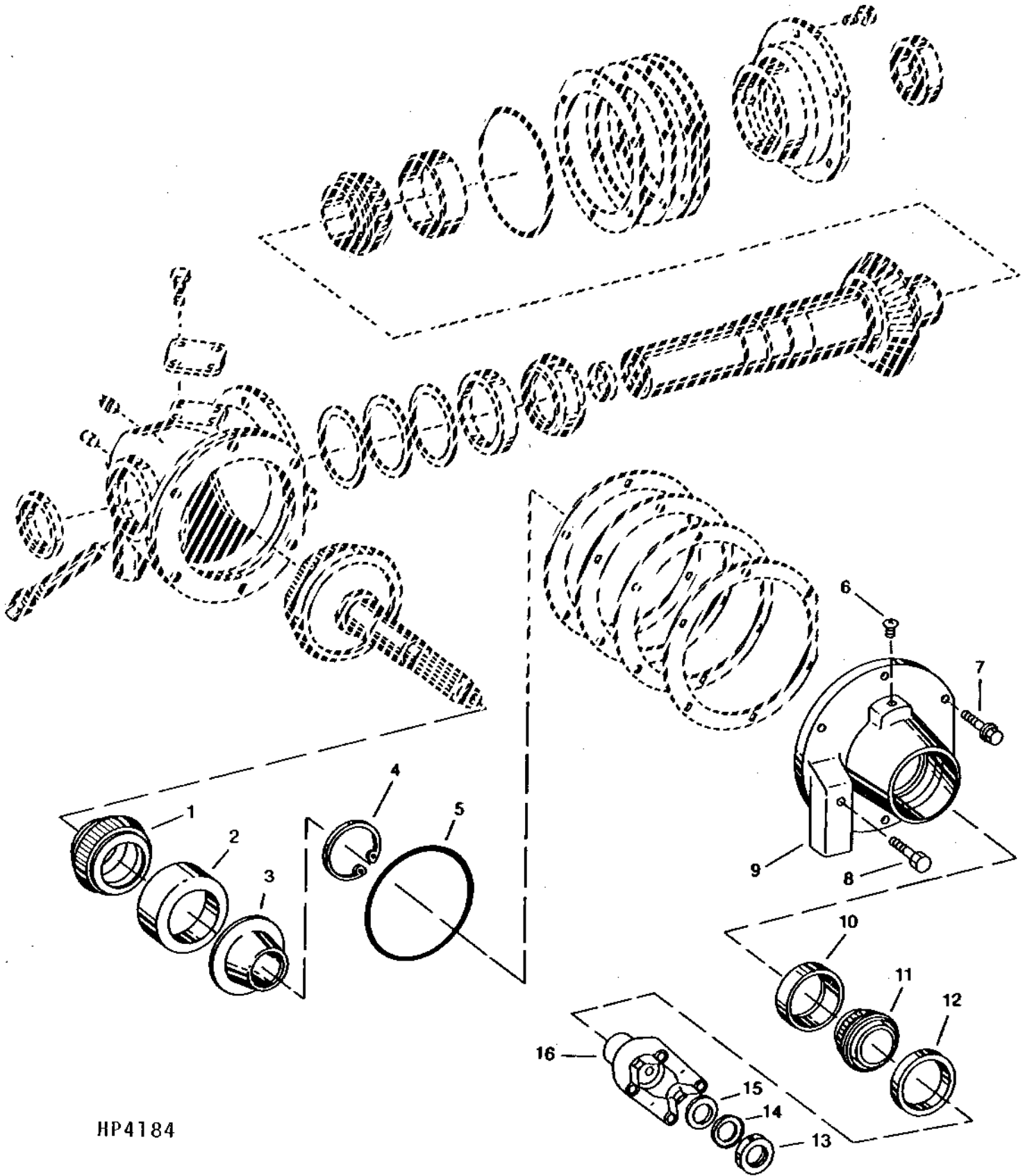
KEY	PART NO.	PART NAME	QTY	SERIAL NO.	S H 9 5 0 0 0	REMARKS
1	JD9078	BEARING CONE	1		X	
2	JD8255	BEARING CUP	1		X	
3	H129844	RETAINER	1		X	
4	T41201	SNAP RING	1		X	
5	H125838	O-RING	1		X	
6	U14273	BREATHER	1	-637540	X	
7	19M7786	SCREW	5		X	M10 X 30
8	19M7807	SCREW	1		X	M10 X 60
9	H129845	HOUSING	1	-637540	X	(SUB H144122 AND U14273) REQUIRES 15H602 ELBOW, 29H217 NIPPLE, 15H579 COUPLING, AH20868 BREATHER IN FILL NECK OF H126721 GEARCASE
	H144122	HOUSING	1	637541-641810	X	REQUIRES 15H602 ELBOW, 29H217 NIPPLE, 15H579 COUPLING, AH20868 BREATHER IN FILL NECK OF H126721 GEARCASE
	H145046	HOUSING	1		X	REQUIRES U14273
10	JD7418	BEARING CUP	1		X	
11	JD7395	BEARING CONE	1		X	
12	AH112031	SEAL	1	-638898	X	(SUB AH137771)
	AH137771	SEAL	1		X	
13	N139123	NUT	1		X	
14	H118920	LOCK WASHER	1		X	
15	H118919	LOCK WASHER	1		X	
16	H121681	YOKE	1		X	
..	AH125243	GEAR	1		X	GEARS, MATCHED SET WITH SHAFT
..	T43512	SEALANT	1	-640200	X	MEDIUM STRENGTH- 50 ML, CANADA NO. TY9477
..	H116160	SEALANT	1		X	6 ML , 3 OZ. TUBE
..	TY15130	SEALANT	1		X	3 OZ., CANADA NO. TY9484
..	AH134865	GEAR CASE	1	-637540	X	(SUB AH137949)
..	AH137949	GEAR CASE	1	637541-	X	
..	AH139019	GEAR CASE	1	-642630	X	
..	AH141049	GEAR CASE	1		X	

9C24

DRIVES

PRIMARY COUNTERSHAFT GEARCASE

(640201-)
HP4184 -UN-01JAN94



HP4184

9C25

DRIVES

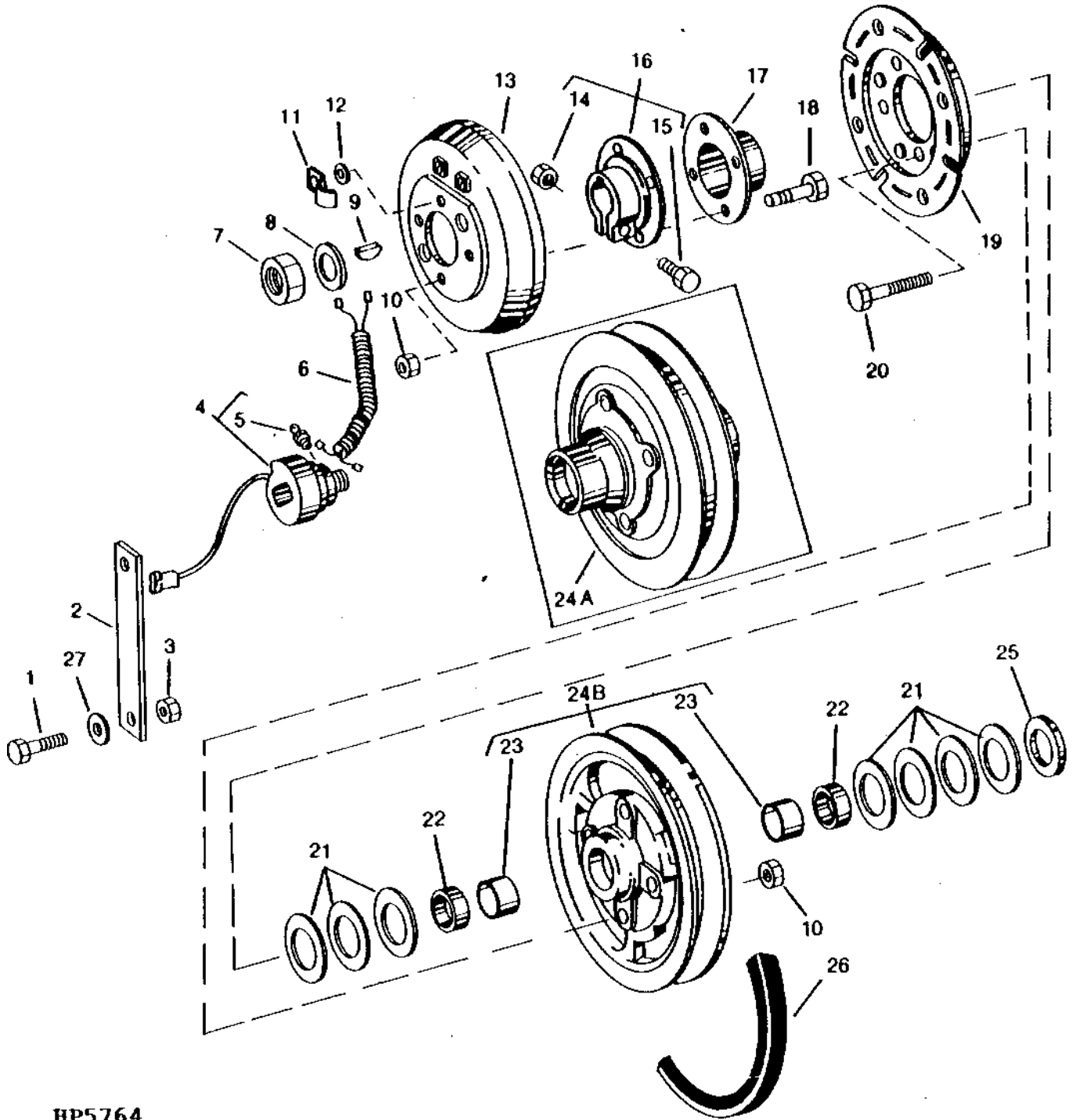
PRIMARY COUNTERSHAFT GEARCASE - CONTINUED
(640201-)

KEY	PART NO.	PART NAME	QTY	SERIAL NO.	S H 9 9 5 5 0 0 0 0	REMARKS
1	JD9078	BEARING CONE	1		X X	
2	JD8255	BEARING CUP	1		X X	
3	H129844	RETAINER	1		X X	
4	T41201	SNAP RING	1		X X	
5	H125838	O-RING	1		X X	
6	U14273	BREATHER	1		X X	
7	19M7786	SCREW	5		X X	M10 X 30
8	19M7807	SCREW	1		X X	M10 X 60
9	H145046	HOUSING	1		X X	(SUB H144122)
	H144122	HOUSING	1		X X	
10	JD7418	BEARING CUP	1		X X	
11	JD7395	BEARING CONE	1		X X	
12	AH137771	SEAL	1		X X	
13	N139123	NUT	1		X X	
14	H118920	LOCK WASHER	1		X X	
15	H118919	LOCK WASHER	1		X X	
16	H121681	YOKE	1		X X	
..	AH125243	GEAR	1		X X	GEARS, MATCHED SET WITH SHAFT
..	T43512	SEALANT	1		X X	MEDIUM STRENGTH - 50 ML, CANADA NO. TY9477
..	H116160	SEALANT	1		X X	6 ML, 3 OZ. TUBE
..	TY15130	SEALANT	1		X X	3 OZ. ,CANADA NO. TY9484
..	AH141049	GEAR CASE	1		X X	

9D1

DRIVES

HEADER ELECTROMAGNETIC CLUTCH
HP5764 -UN-01JAN94



HP5764

HEADER ELECTROMAGNETIC CLUTCH - CONTINUED

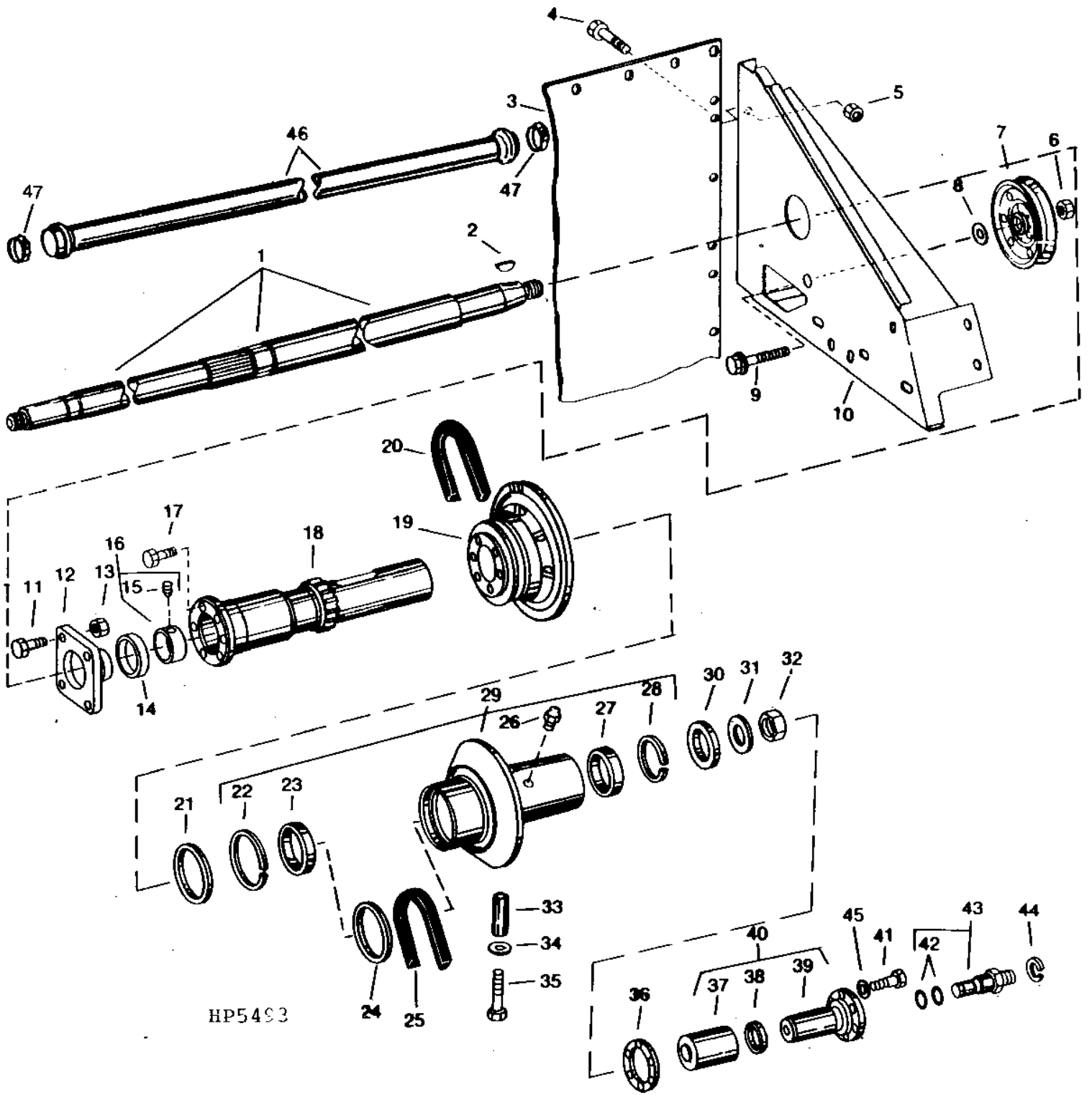
KEY	PART NO.	PART NAME	QTY	SERIAL NO.	S H 9 5 0 0	REMARKS
1	19M7775	SCREW	1		X X	M6 X 16
2	H134773	STRAP	1		X X	
3	14M7303	FLANGE NUT	1		X X	M6
4	AH130582	DEVICE	1	-15NO99	X X	
	AH162068	KIT	1	16NO99-	X X	
5	JD7797	LUBRICATION FITTING	1		X X	
6	AH134207	WIRING HARNESS	1		X X	
7	H82620	LOCK NUT	1		X X	
8	24H1668	WASHER	1		X X	1-17/64" X 2-1/4" X 0.134"
9	26H105	SHAFT KEY	1		X X	
10	14M7299	FLANGE NUT	8		X X	M12
11	AH77279	CLIP	1		X X	
12	24H1789	WASHER	1		X X	17/32" X 1-1/4" X 0.105"
13	AH121658	FIELD WINDING COIL	1		X X	
14	14M7296	FLANGE NUT	1		X X	M10
15	19M8292	SCREW	1		X X	M10 X 50
16	AH124937	HUB	1	-642292	X	
	AH136052	HUB	1		X X	
17	H129676	RING	1		X X	
18	19M7790	SCREW	4		X X	M12 X 35
19	AH96244	ARMATURE	1		X X	
20	19M8306	SCREW	4		X X	M12 X 50
21	24H1616	WASHER	AR	-19AU96	X X	2-9/16" X 3-3/4" X 0.036"
22	AB5070R	SEAL	2		X X	
23	H126716	BUSHING	2		X X	
24A	AH121657	SHEAVE	1	-646619	X	
24B	AH139936	SHEAVE	1		X X	
25	H126715	WASHER	1		X X	
26	H125565	BELT	1	-640200	X	
	H140160	BELT	1	640201-	X X	
27	24M7207	WASHER	1	656270-	X X	8.400 X 24 X 2 MM (0.331" X 0.945" X 0.079")

9D3

DRIVES

PRIMARY COUNTERSHAFT, SUPPORTS AND VARIABLE SHEAVE

HP5493 -UN-01JAN94

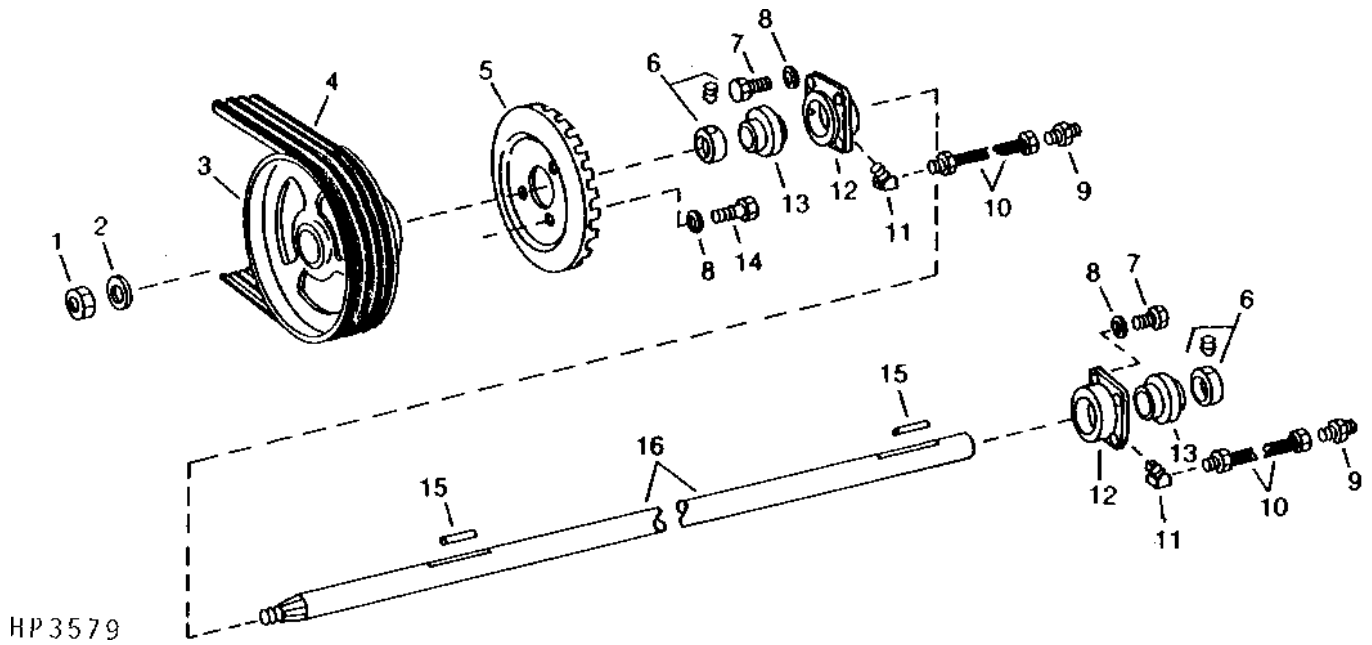


PRIMARY COUNTERSHAFT, SUPPORTS AND VARIABLE SHEAVE - CONTINUED

KEY	PART NO.	PART NAME	QTY	SERIAL NO.	S H 9 9 5 5 0 0 0 0	REMARKS
1	H147483	SHAFT	1	647309-	X X	(SUB FOR H127189)
2	26H114	SHAFT KEY	1		X X	1/2" X 2-3/4"
3	H130903	SHEET	1	-640200	X	
	H143385	SHEET	1	640201-646783	X X	(SUB H145530)
	H145530	SHEET	1	-647308	X X	(SUB H147911)
	H147911	SHEET	1		X X	
4	19M7866	SCREW	AR		X X	M8 X 20
5	14M7298	FLANGE NUT	AR		X X	M8
6	14M7291	FLANGE NUT	1		X X	M16
7	AH97031	IDLER	1		X X	
8	24M7053	WASHER	AR		X X	17 X 30 X 3 MM
9	19M7794	SCREW	1	-661447	X X	M16 X 50
	19M7824	SCREW	1	661448-	X X	M16 X 60
10	AH125563	SHEET	1	-631800	X	
	AH135295	SHEET	1	631801-646794	X X	(SUB AH135077) USED WITH SINGLE RANGE ONLY
	AH135077	SHEET	1		X X	USED WITH SINGLE RANGE ONLY
11	19M7786	SCREW	4		X X	M10 X 30
12	H115930	BEARING HOUSING W/O BEARING	1		X X	
13	14M7296	FLANGE NUT	4		X X	M10
14	JD8669	BALL BEARING	1		X X	(5" DIA.)
15	22H821	SET SCREW	1		X X	1/2" X 1/2"
16	JD8668	ECCENTRIC LOCKING COLLAR	1		X X	
17	19M7835	SCREW	6		X X	M10 X 35
18	H127196	HOUSING	1		X X	
19	H115755	HALF SHEAVE	1		X X	
20	H128010	BELT	1		X X	PRIMARY TO SECONDARY COUNTERSHAFT DRIVE
21	AH94853	SEAL	1		X X	
22	H93631	SNAP RING	1		X X	
23	H93630	BUSHING	1		X X	
24	H118617	BUMPER	1		X X	USED FOR SLOW SPEED CYLINDER DRIVE ONLY
25	H115759	BELT	1		X X	PRIMARY TO INTERMEDIATE CYLINDER DRIVE, (SUB H162629)
	H162629	BELT	1		X X	
26	JD7798	LUBRICATION FITTING	2		X X	
27	H123557	SPACER	1	-651425	X X	(SUB H148131)
	H148131	BUSHING	1		X X	
28	P48691	SNAP RING	1		X X	
29	AH141820	HALF SHEAVE	1		X X	(SUB FOR AH122685)
30	AH87141	SEAL	1		X X	
31	24H1668	WASHER	1		X X	1-17/64" X 2-1/4" X 0.134"
32	H82620	LOCK NUT	1		X X	
33	H110237	PIN	1		X X	
34	24M7178	WASHER	2		X X	10.500 X 30 X 2.500 MM
35	19M7784	SCREW	2		X X	M10 X 20
36	H102533	SHIM	AR		X X	0.762 MM (0.030")
37	BARREL	1		X X	(SUB AH125193)
38	H97306	SEAL	1		X X	
39	PISTON	1		X X	(SUB AH125193)
40	AH125193	CYLINDER	1		X X	
41	19H1732	CAP SCREW	6		X X	3/8" X 1-1/4"
42	R27564	O-RING	2		X X	
43	AH124376	UNION FITTING	1	-641653	X X	(SUB AH139238)
	AH139238	UNION FITTING	1		X X	
44	H135292	SNAP RING	1		X X	
45	12H304	LOCK WASHER	6		X X	3/8"
46	AH163802	KIT	1		X X	(INCLUDES (2) TY22494) (SUB FOR AH141389)
47	AR60499	CLAMP	2	-661617	X X	
	TY22494	HOSE CLAMP	2		X X	

9D5

SINGLE RANGE CYLINDER DRIVE
HP3579 -UN-01JAN94



HP3579

9D6

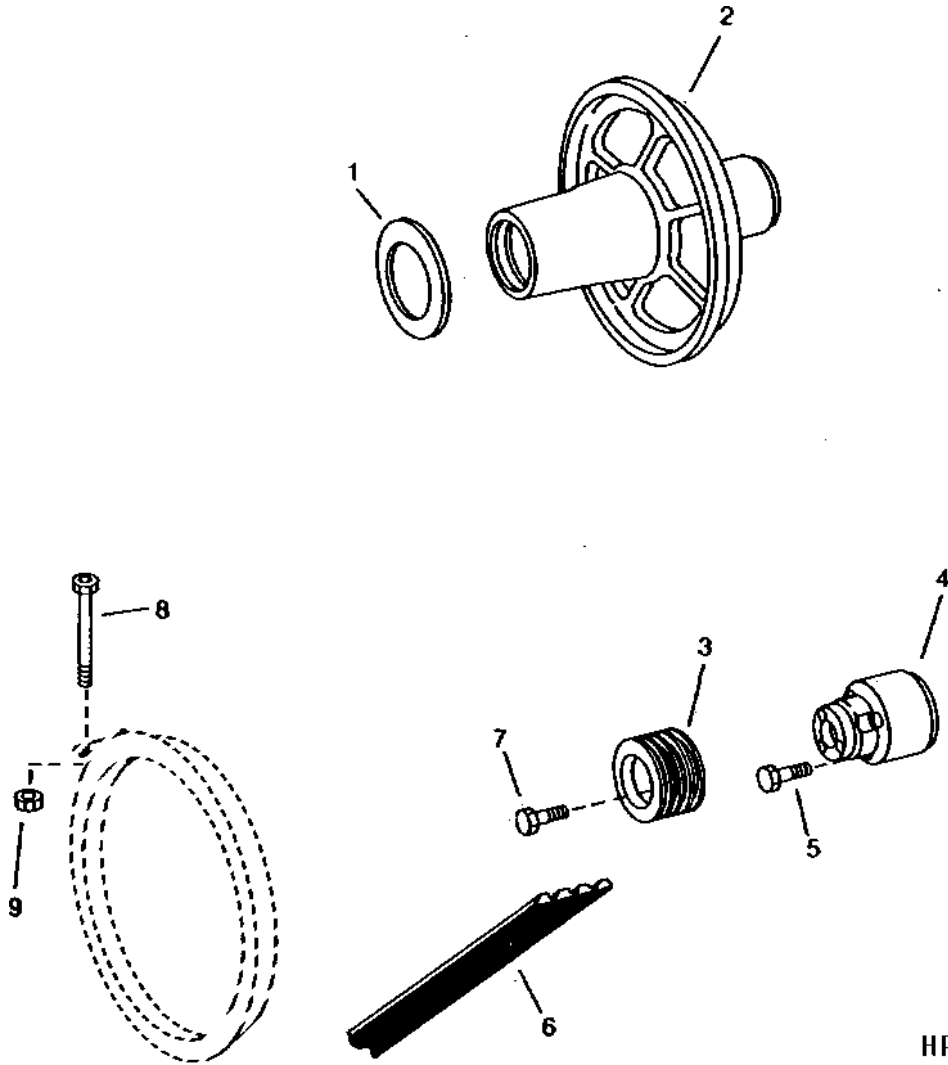
DRIVES

SINGLE RANGE CYLINDER DRIVE - CONTINUED

KEY	PART NO.	PART NAME	QTY	SERIAL NO.	S H 9 5 0 0	REMARKS
1	H138085	LOCK NUT	1		X X	
2	24H1509	WASHER	1		X X	1-25/64" X 2-1/2" X 0.194"
3	H93645	SHEAVE	1		X X	
4	H115881	BELT	1		X X	
5	H128297	WHEEL	1		X X	
6	JD10342	ECCENTRIC LOCKING COLLAR	1		X X	
7	19H1732	CAP SCREW	4		X X	3/8" X 1-1/4"
8	12H304	LOCK WASHER	4		X X	3/8"
9	JD7759	LUBRICATION FITTING	2		X X	
10	AH121009	HOSE	2		X X	1/8" X 910 MM (35-3/4") X 1/8"
11	JD7845	ELBOW FITTING	2		X X	
12	H99149	HOUSING	2		X X	
13	JD10343	BALL BEARING	2		X X	
14	19H1936	CAP SCREW	3		X X	3/8" X 3/4"
15	SHAFT KEY	2		X X	(CUT FROM H64376) IN AH64587 KEY STOCK KIT
16	H127972	SHAFT	1	-643087	X	(SUB H145970) SINGLE RANGE
	H145970	SHAFT	1			SINGLE RANGE
	H140043	SHAFT	1		X X	DUAL RANGE
..	BH71877	COMPLETE GOODS/SHIP. BUNDLE	1		X X	RASPBAR TO SPIKETooth CONVERSION
..	BH79239	COMPLETE GOODS/SHIP. BUNDLE	1		X X	LOW DUAL RANGE CYLINDER DRIVE

9D7

SLOW SPEED CYLINDER DRIVE
HP3983 -UN-01JAN94



HP3983

9D8

DRIVES

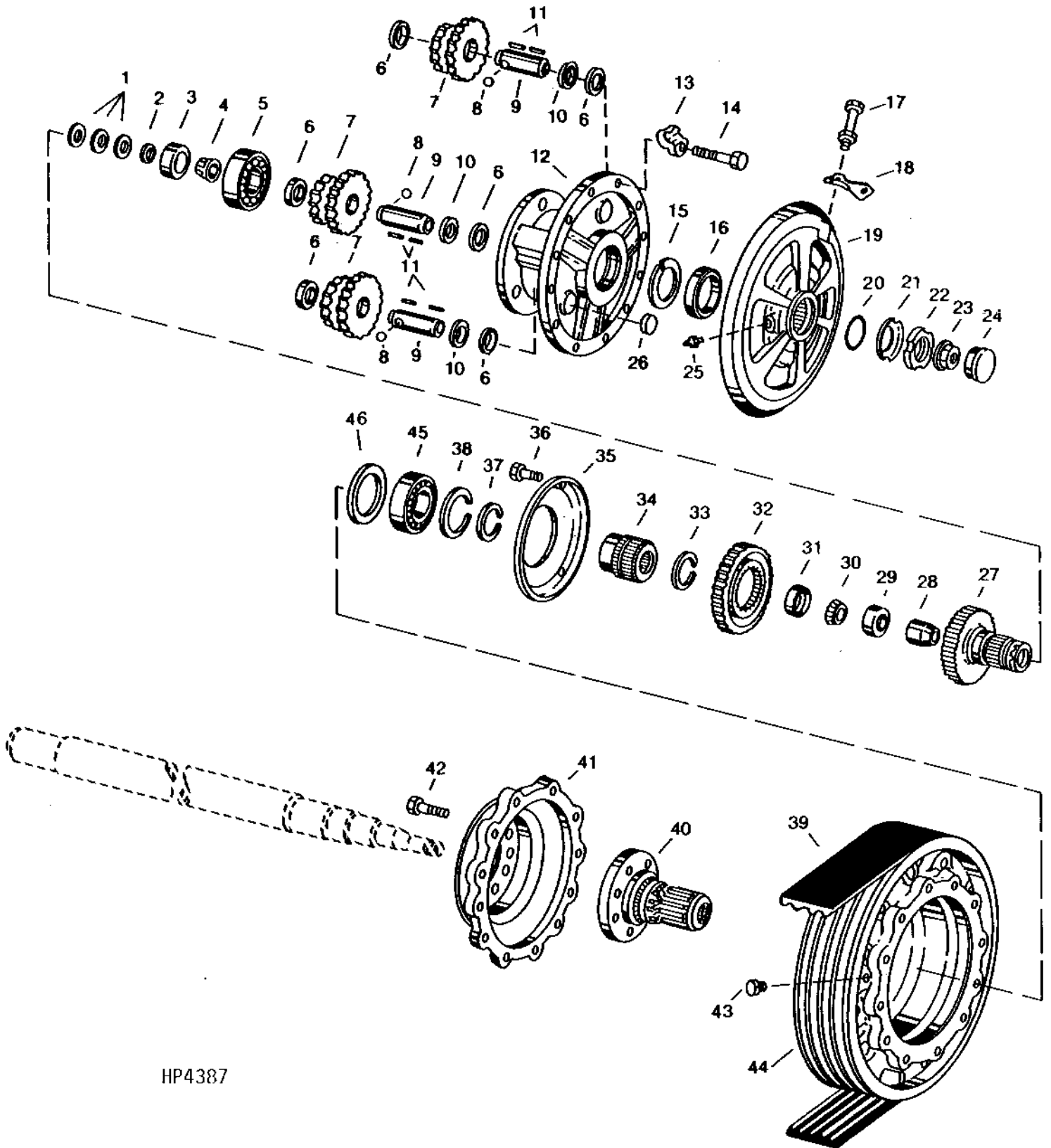
SLOW SPEED CYLINDER DRIVE - CONTINUED

KEY	PART NO.	PART NAME	QTY	SERIAL NO.	S H 9 5 0 0	REMARKS
1	H118617	BUMPER	1		X X	
2	AH141820	HALF SHEAVE	1		X X	(SUB FOR AH122685)
3	H118616	SHEAVE	1		X X	
4	H125532	HUB	1	-640200	X	(SUB H141588)
	H141588	HUB	1		X X	
5	19M8017	CAP SCREW	3		X X	M12 X 20
6	H118618	BELT	1		X X	
7	19M8162	CAP SCREW	3		X X	M10 X 40
8	H120490	BOLT	4		X X	SPECIAL HOLLOW SHEAR BOLT
9	M63707	LOCK NUT	4			6.350 MM

9D9

DRIVES

DUAL-RANGE CYLINDER DRIVE GEAR CASE
HP4387 -UN-01JAN94



HP4387

9D10

DRIVES

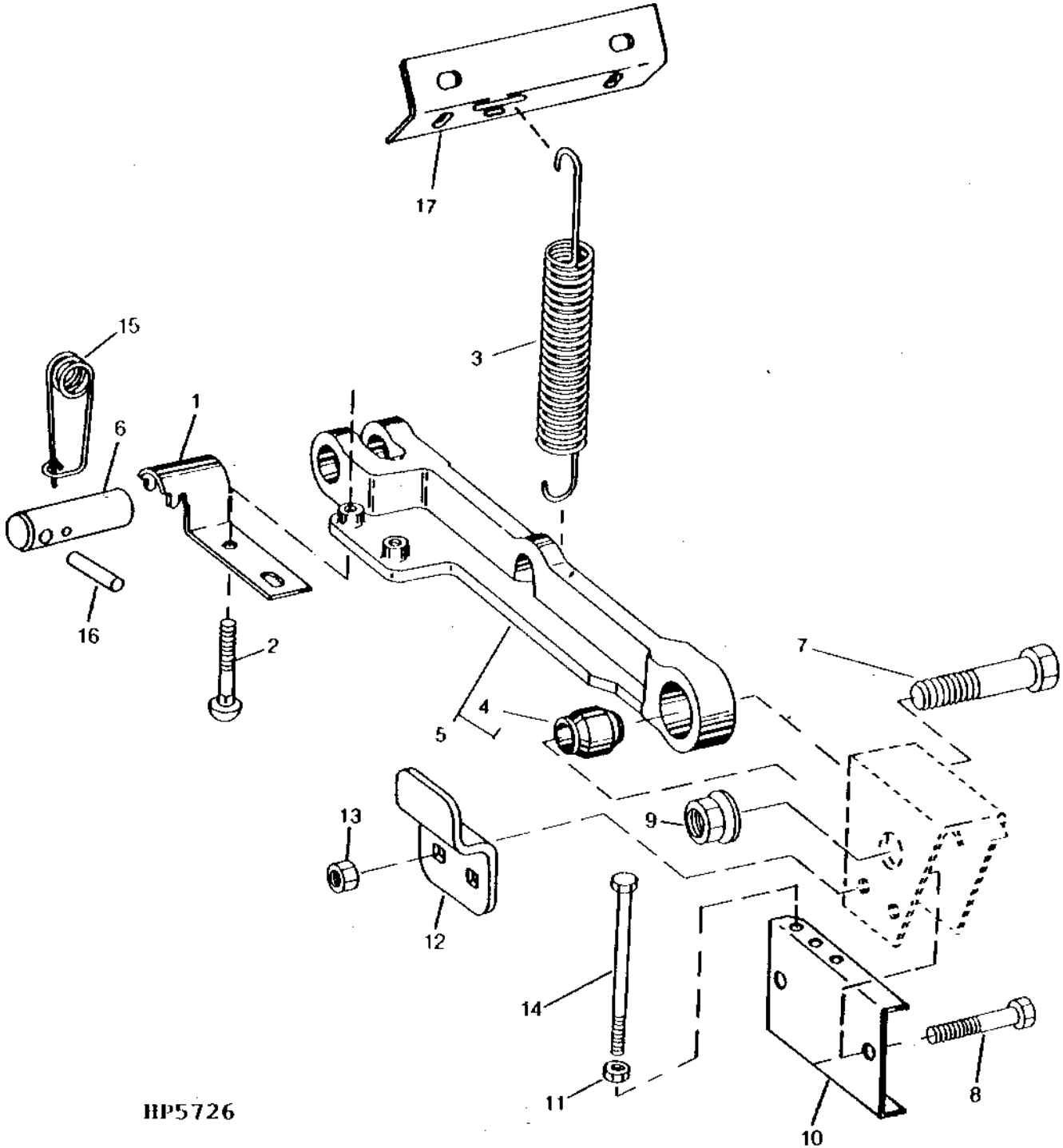
DUAL-RANGE CYLINDER DRIVE GEAR CASE - CONTINUED

KEY	PART NO.	PART NAME	QTY	SERIAL NO.	S H 9 5 0 0	REMARKS
1	H111260	SHIM	AR		X X	0.05 THICK
	H111261	SHIM	AR		X X	0.10 THICK
	H111262	SHIM	AR		X X	0.25 THICK
2	H111041	WASHER	1		X X	23.200 X 30 X 2.500 MM (0.913" X 1.181" X 0.098")
3	JD8239	BEARING CUP	1		X X	
4	JD8960	BEARING CONE	1		X X	
5	AH108801	BALL BEARING	1		X X	
6	R71758	THRUST WASHER	6		X X	
7	H113947	PINION	3		X X	
8	H871R	BALL	3		X X	
9	H113627	PINION SHAFT	3		X X	
10	R71756	WASHER	3		X X	25.510 X 31.750 X 2.580 MM (1.004" X 1-1/4" X 0.102")
11	R84261	PIN	132		X X	
12	H118082	COVER	1		X X	
13	H127855	RETAINER	3		X X	
14	19M8162	CAP SCREW	12		X X	M10 X 40
	12H304	LOCK WASHER	9		X X	3/8"
15	H117703	SHIM	1		X X	
16	AH112883	SEAL	1		X X	
17	19H2151	CAP SCREW	1		X X	1/4" X 3"
	M63707	LOCK NUT	1		X X	6.350 MM (1/4")
18	H127590	LUG	1		X X	
19	H113208	WHEEL	1		X X	
20	U10063	O-RING	1		X X	59.690 X 5.334 MM (2.350" X 0.210")
21	H112877	LOCK WASHER	1		X X	
22	E12305	NUT	1		X X	64.719 MM (2.548")
23	H113238	FLANGE NUT	1		X X	
24	H110521	CAP	1		X X	
25	JD7797	LUBRICATION FITTING	1		X X	
26	H110462	PLUG	3		X X	
27	H113063	GEAR	1		X X	
28	H111042	SPACER	1		X X	
29	JD7441	BEARING	1		X X	
30	JD10214	BEARING CONE	1		X X	
31	AH110887	SEAL	1		X X	
32	H113946	GEAR	1		X X	
33	T47836	SNAP RING	1		X X	
34	H114687	BEARING HOUSING W/O BEARING	1		X X	
35	H110337	RING	1		X X	
36	R38131	CAP SCREW	3		X X	7.925 X 12.700 MM (5/16" X 1/2")
37	R80R	SNAP RING	1		X X	
38	H114688	SNAP RING	1		X X	
39	H115881	BELT	1		X X	
40	H126829	HUB	1		X X	
41	H126722	SHEAVE	1		X X	
42	19M7785	SCREW	8	-640200	X	M10 X 25
	H144962	SCREW	8	640201-	X X	M10 X 25
43	AH109056	PIPE PLUG	1		X X	
44	H114689	SHEAVE	1		X X	
45	JD10032	BALL BEARING	1		X X	
46	AF1466R	SEAL	1		X X	
..	T43512	SEALANT	1	-640200	X	
..	TY15130	SEALANT	1		X X	SIZE: 3 OZ. (CANADA PART NO. TY9484)
..	TY16285	PRIMER	1		X	(SUB FOR TY6305)
..	TY6304	SEALANT	1		X X	(CANADA PART NO. TY9483)
..	TY6333	GREASE	1		X X	SIZE- 14 OZ. TUBE
..	AH134859	GEAR CASE	1		X X	(DOES NOT INCLUDE H115881)

9D11

DRIVES

DUAL-RANGE LOCKOUT ARM
HP5726 -UN-01JAN94



HP5726

9D12

DRIVES

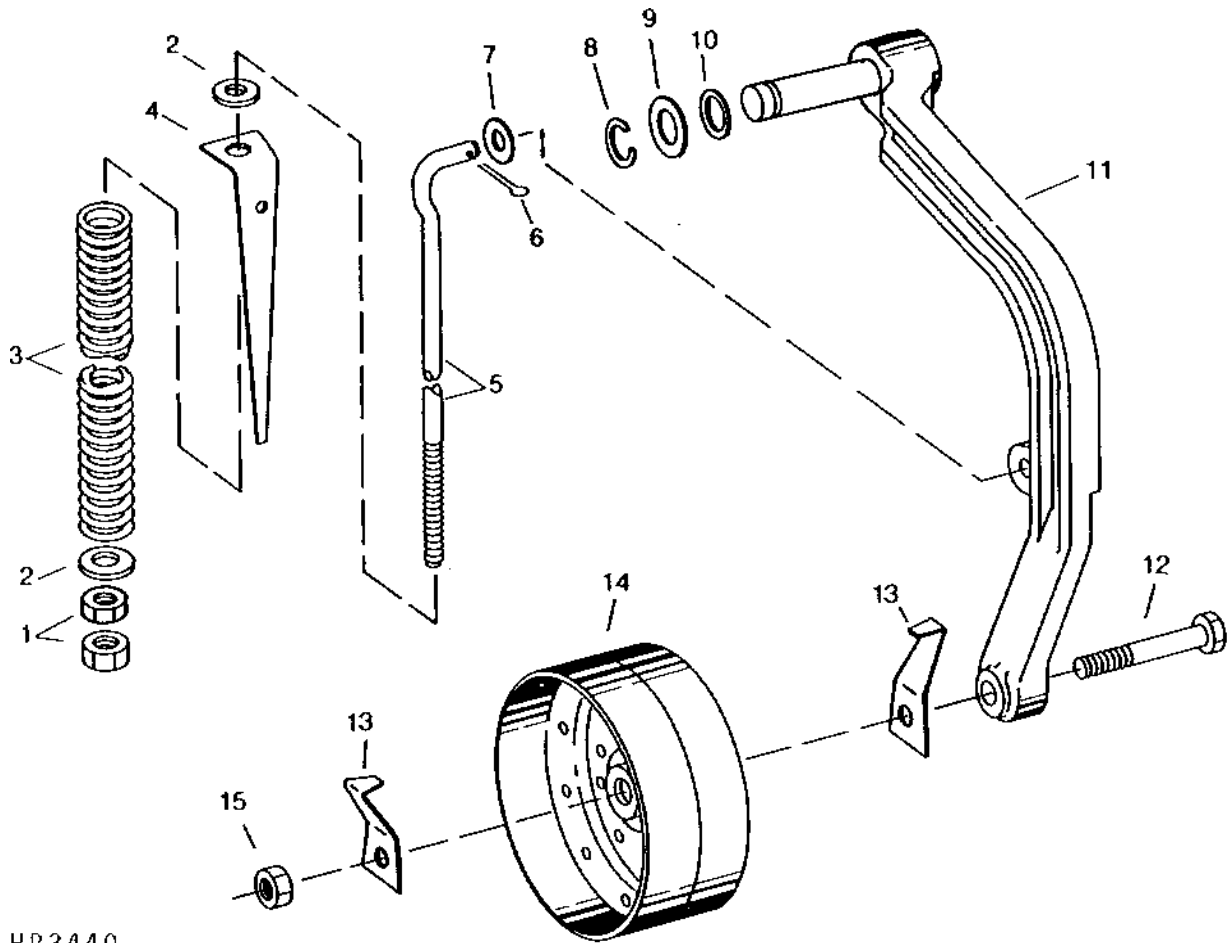
DUAL-RANGE LOCKOUT ARM - CONTINUED

KEY	PART NO.	PART NAME	QTY	SERIAL NO.	S H 9 9 5 5 0 0 0 0	REMARKS
1	H139709	RETAINER	1		X X	
2	19M7867	SCREW	2		X X	M8 X 25
3	M45123	EXTENSION SPRING	1		X X	
4	AH80384	ISOLATOR	1	-656212	X X	(SUB AH154697)
	AH154697	BUSHING	1		X X	
	AH143746	RUBBER MOUNT	1	656213-	X X	(USE WITH AH143747)
5	AH131070	ARM	1	-656212	X X	(SUB AH143747)
	AH143747	ARM	1		X X	
6	H110542	PIN	1		X X	
7	19M7826	SCREW	1		X X	M16 X 70
8	03M7184	BOLT	1		X	M8 X 20
9	14M7291	FLANGE NUT	1		X X	M16
10	CHANNEL	1		X	
11	M63707	LOCK NUT	3		X X	6.350 MM
12	H127732	GUIDE	1		X	
13	14M7298	FLANGE NUT	1		X	M8
14	19H2151	CAP SCREW	3		X X	1/4" X 3"
15	H114001	QUICK LOCK PIN	1		X X	
16	34M7036	SPRING PIN	1		X X	5 X 45 MM
17	H120660	ANGLE	1	-638209	X	(SUB H120659)
	H120659	ANGLE	1		X X	

9D13

DRIVES

DUAL-RANGE CYLINDER DRIVE TIGHTENER
HP3440 -UN-01JAN94



HP 3440

9D14

DRIVES

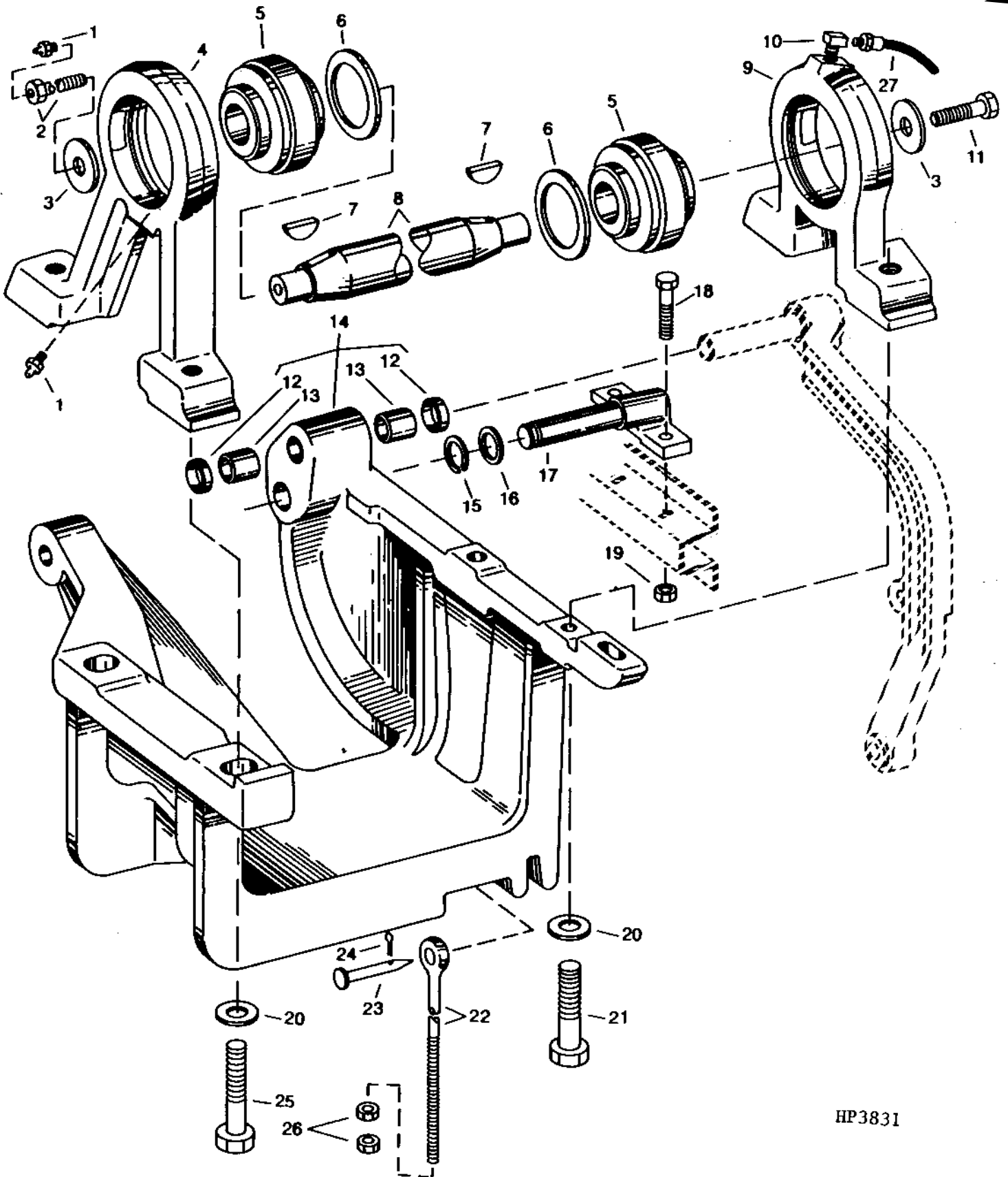
DUAL-RANGE CYLINDER DRIVE TIGHTENER - CONTINUED

KEY	PART NO.	PART NAME	QTY	SERIAL NO.	S H 9 5 0 0	REMARKS
1	14M7276	NUT	2		X X	M16
2	24H1373	WASHER	2		X X	21/32" X 1-9/16" X 0.180"
3	N61654	SPRING	1		X X	
4	H116862	GAUGE	1		X X	
5	H116861	HOOK BOLT	1		X X	
6	11M7028	COTTER PIN	1		X X	5 X 32 MM
7	24M7053	WASHER	1		X X	17 X 30 X 3 MM
8	P46402	SNAP RING	1		X X	
9	24H1447	WASHER	AR		X X	1-1/32" X 1-1/2" X 0.036" (USE FOUR OR LESS)
10	24H1448	WASHER	1		X X	1-1/32" X 1-1/2" X 0.120"
11	AH113139	ARM	1		X X	
12	19M7818	SCREW	1		X X	M12 X 80
13	H94386	BRACKET	2		X X	
14	AH111447	IDLER	1		X X	
	AH141762	IDLER	1		X X	
15	14M7299	FLANGE NUT	1		X X	M12

9D15

DRIVES

DUAL-RANGE CYLINDER DRIVE INTERMEDIATE SHAFT MOUNTING
HP3831 -UN-01JAN94



HP3831

9D16

DRIVES

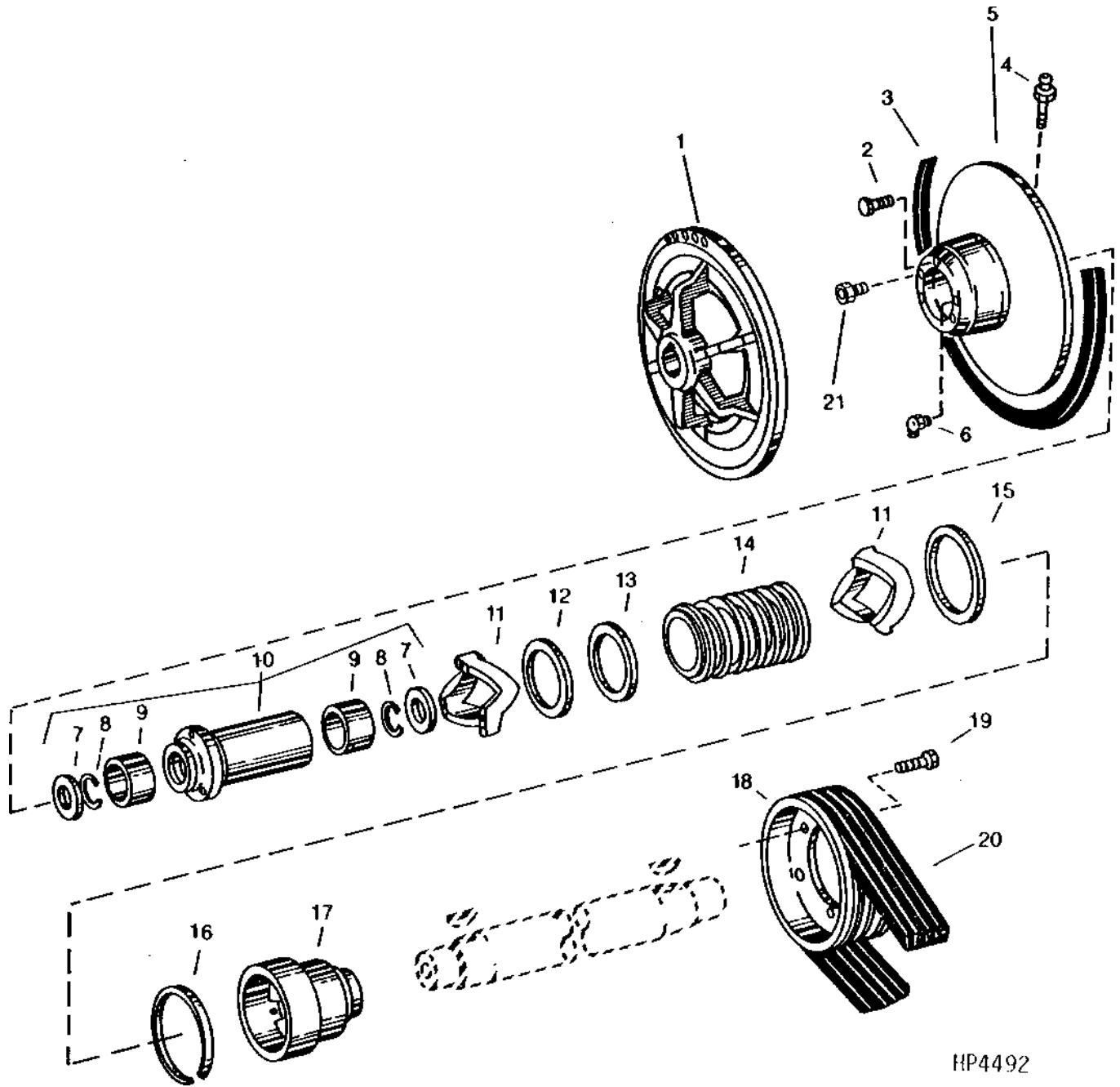
DUAL-RANGE CYLINDER DRIVE INTERMEDIATE SHAFT MOUNTING - CONTINUED

KEY	PART NO.	PART NAME	QTY	SERIAL NO.	S H 9 5 0 0	REMARKS
1	JD7759	LUBRICATION FITTING	2		X X	1/8" STRAIGHT
2	H110168	SCREW	1		X X	M16 X 60
3	R20135	WASHER	2		X X	16.662 X 57.150 X 6.350 MM (21/32" X 2-1/4" X 1/4")
4	H121134	HOUSING	1		X X	
5	AH108813	BALL BEARING	2		X X	
6	E18993	WASHER	2		X X	38.608 X 63.500 X 1.575 MM (1.520" X 2-1/2" X 1/16")
7	26M6787	SHAFT KEY	2		X X	10 X 32 MM
8	H115596	SHAFT	1	-647297	X X	(SUB H148241)
	H148241	SHAFT	1		X X	
9	H119210	HOUSING	1		X X	
10	JD7839	LUBRICATION FITTING	1		X X	18" - 90 DEGREE
11	19M7793	SCREW	1		X X	M16 X 40
12	AA5607R	SEAL	2		X X	
13	H99147	BUSHING	2		X X	(SUB H171061)
	H171061	BEARING	2		X X	
14	AH122451	SUPPORT	1		X X	
15	M2353T	SNAP RING	1		X X	
16	24H1513	WASHER	1		X X	1-13/32" X 2" X 0.060"
17	H127596	PIN	1		X X	
18	19M7898	SCREW	2		X X	M10 X 130
19	14M7296	FLANGE NUT	2		X X	M10
20	T20217	WASHER	4		X X	12.954 X 43.942 X 6.350 MM (0.510" X 1.730" X 1/4")
21	19H3057	CAP SCREW	2		X X	1/2" X 2-3/4"
22	H127583	EYEBOLT	1		X X	
23	T22714	PIN	1		X X	15.748 X 66.040 MM (0.620" X 2.600")
24	11M7028	COTTER PIN	1		X X	5 X 32 MM
25	19M8306	SCREW	2		X X	M12 X 50
26	14M7291	FLANGE NUT	2		X X	M16
27	AH121007	HOSE	1		X X	1/8" X 1 400 MM (55") X 1/8"

9D17

DRIVES

DUAL-RANGE CYLINDER DRIVE INTERMEDIATE SHEAVE
HP4492 -UN-01JAN94



HP4492

9D18

DRIVES

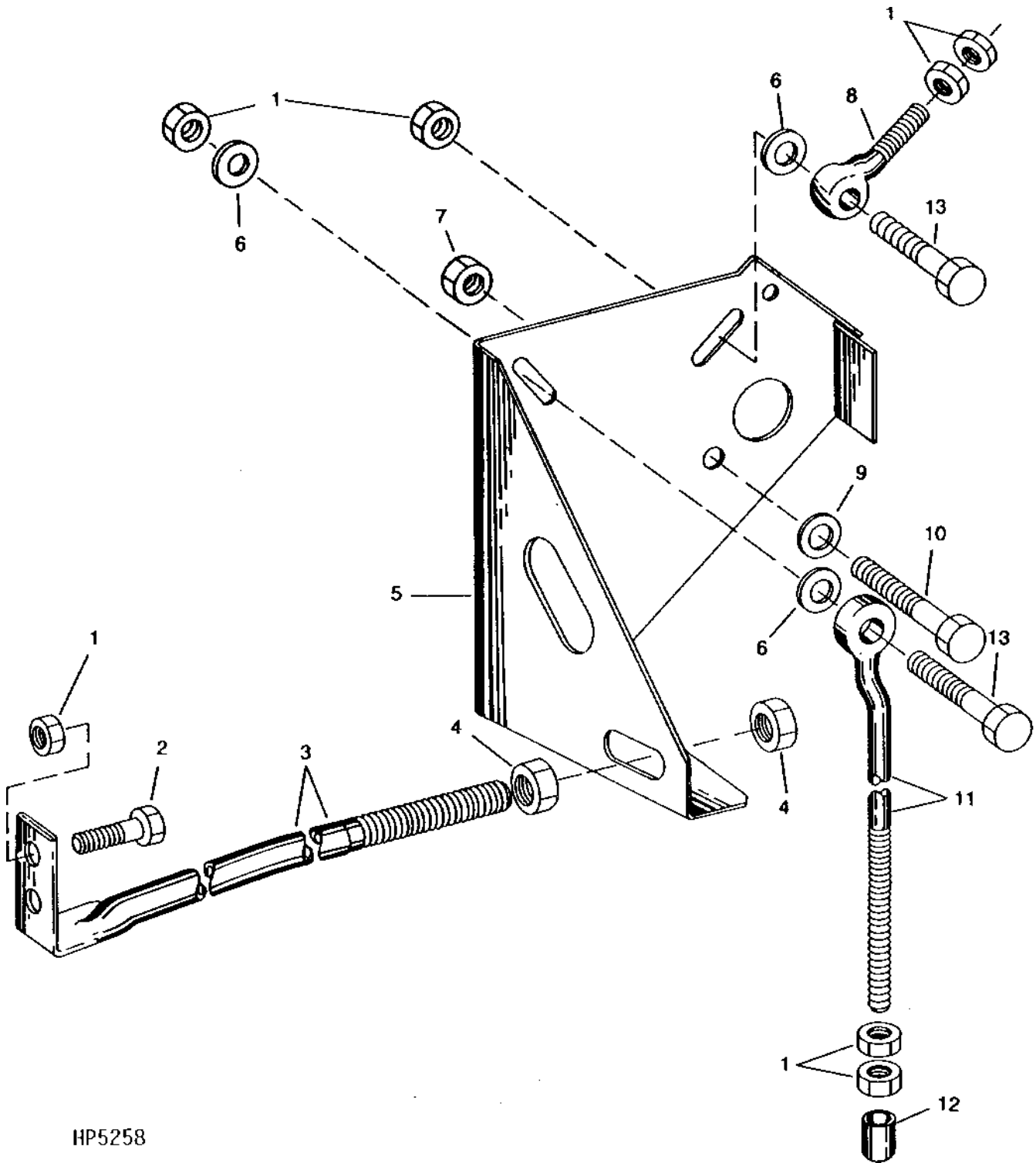
DUAL-RANGE CYLINDER DRIVE INTERMEDIATE SHEAVE - CONTINUED

KEY	PART NO.	PART NAME	QTY	SERIAL NO.	S H 9 5 0 0	REMARKS
1	H145955	SHEAVE	1		X X	(SUB FOR H115599)
2	19M7789	SCREW	3		X X	M12 X 30
3	H115759	BELT	1		X X	(SUB H162629)
	H162629	BELT	1		X X	
4	JD7759	LUBRICATION FITTING	1		X X	1/8" STRAIGHT
5	AH141973	HALF SHEAVE	1		X X	(SUB FOR H125530, H144038 AND AH106296) INCS H144038 SHEAVE, AE38448 RELIEF VALVE, JD7759 ZERK, & JD7788 ZERK WITH ASSY BALANCED
6	JD7806	LUBRICATION FITTING	1	-642858	X	90° X 19.050 MM LONG (3/4" LONG) 90 DEGREE
	JD7788	LUBRICATION FITTING	1	642859-	X X	45° X 20.574 MM LONG (0.810" LONG) 45 DEGREE
7	AH106110	SEAL	2		X X	
8	B3118R	SNAP RING	2		X X	
9	H125528	BUSHING	2		X X	50.778 X 55.570 X 37.800 MM (1.999" X 2.188" X 1.488")
10	AH120907	HUB	1		X X	
11	H145243	CAM	2		X X	(SUB FOR H125533 OR H141735)
12	H96227	WASHER	1		X X	88.900 X 112.776 X 1.600 MM (3-1/2" X 4.440" X 0.063")
13	H96232	WASHER	1		X X	
14	AH148893	SPRING ASSEMBLY	1		X X	(INCLUDES H96226) (SUB FOR AH108693)
15	AH136497	SEAL	1		X X	(SUB FOR AH94854)
16	H107389	RING	1		X X	
17	H146394	HUB	1		X X	(SUB FOR H125531)
18	H125391	SHEAVE	1		X X	
19	19M7818	SCREW	3		X X	M12 X 80
20	H115881	BELT	1		X X	
21	AH106296	BREATHER	1	-670000	X X	
	AE38448	RELIEF VALVE	1		X X	

9D19

DRIVES

DUAL-RANGE CYLINDER DRIVE ADJUSTING BRACKET
HP5258 -UN-01JAN94



HP5258

9D20

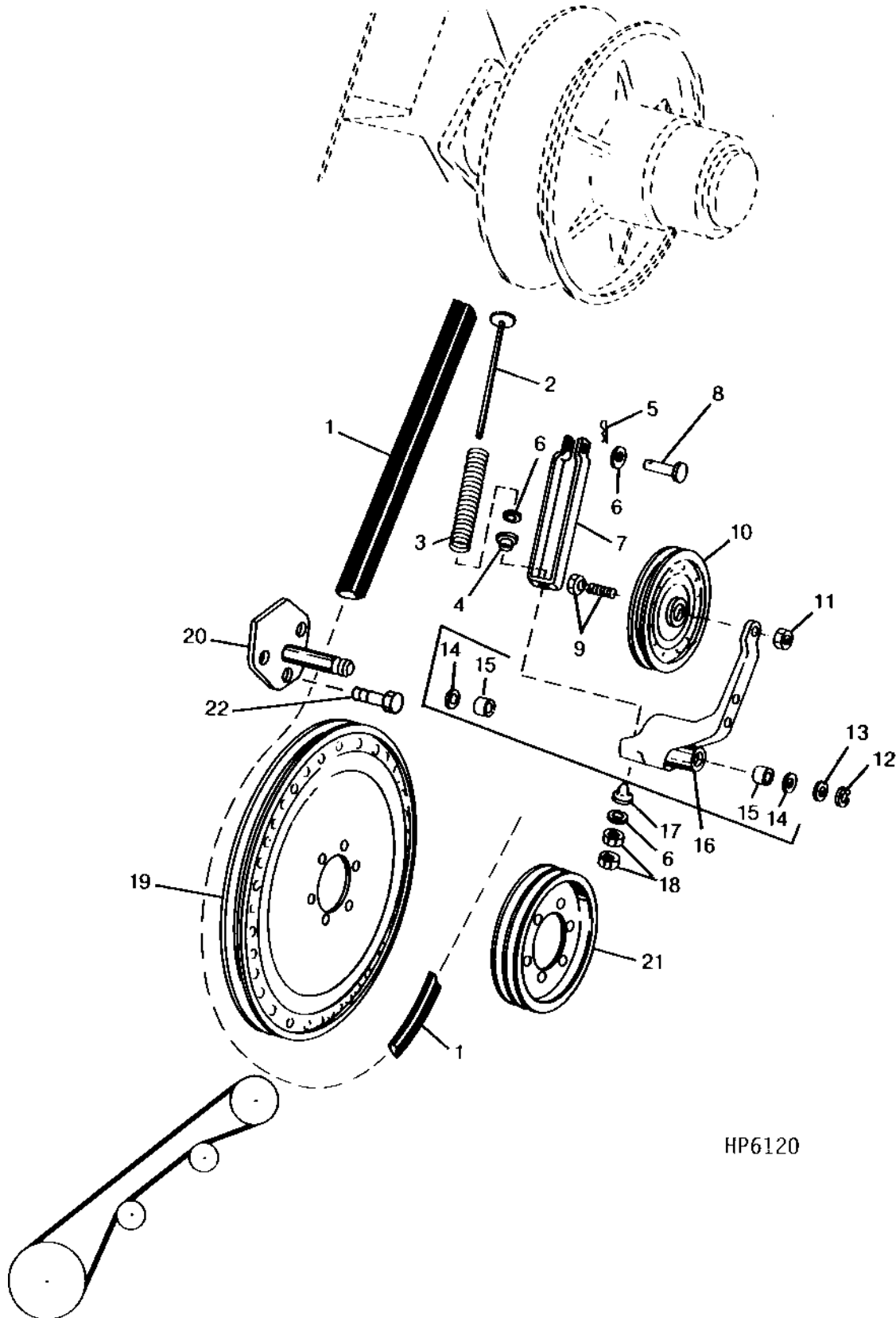
DRIVES

DUAL-RANGE CYLINDER DRIVE ADJUSTING BRACKET - CONTINUED

KEY	PART NO.	PART NAME	QTY	SERIAL NO.	S H 9 5 0 0	REMARKS
1	14M7299	FLANGE NUT	8		X X	M12
2	19M7837	SCREW	2		X X	M12 X 110
3	AH126538	BRACE	1		X X	
4	14M7300	FLANGE NUT	2		X X	M20
5	H131482	SUPPORT	1		X X	
6	24M7240	WASHER	3		X X	13 X 25 X 3 MM
7	14M7291	FLANGE NUT	1		X X	M16
8	H116065	EYEBOLT	1		X X	
9	24M7053	WASHER	1		X X	17 X 30 X 3 MM
10	19M8046	CAP SCREW	1		X X	M16 X 70
11	H131485	EYEBOLT	1		X X	
12	R50770	PLUG	1		X X	
13	19M7791	SCREW	2		X X	M12 X 40

9D21

SECONDARY COUNTERSHAFT DRIVE
HP6120 -UN-21JUL95



HP6120

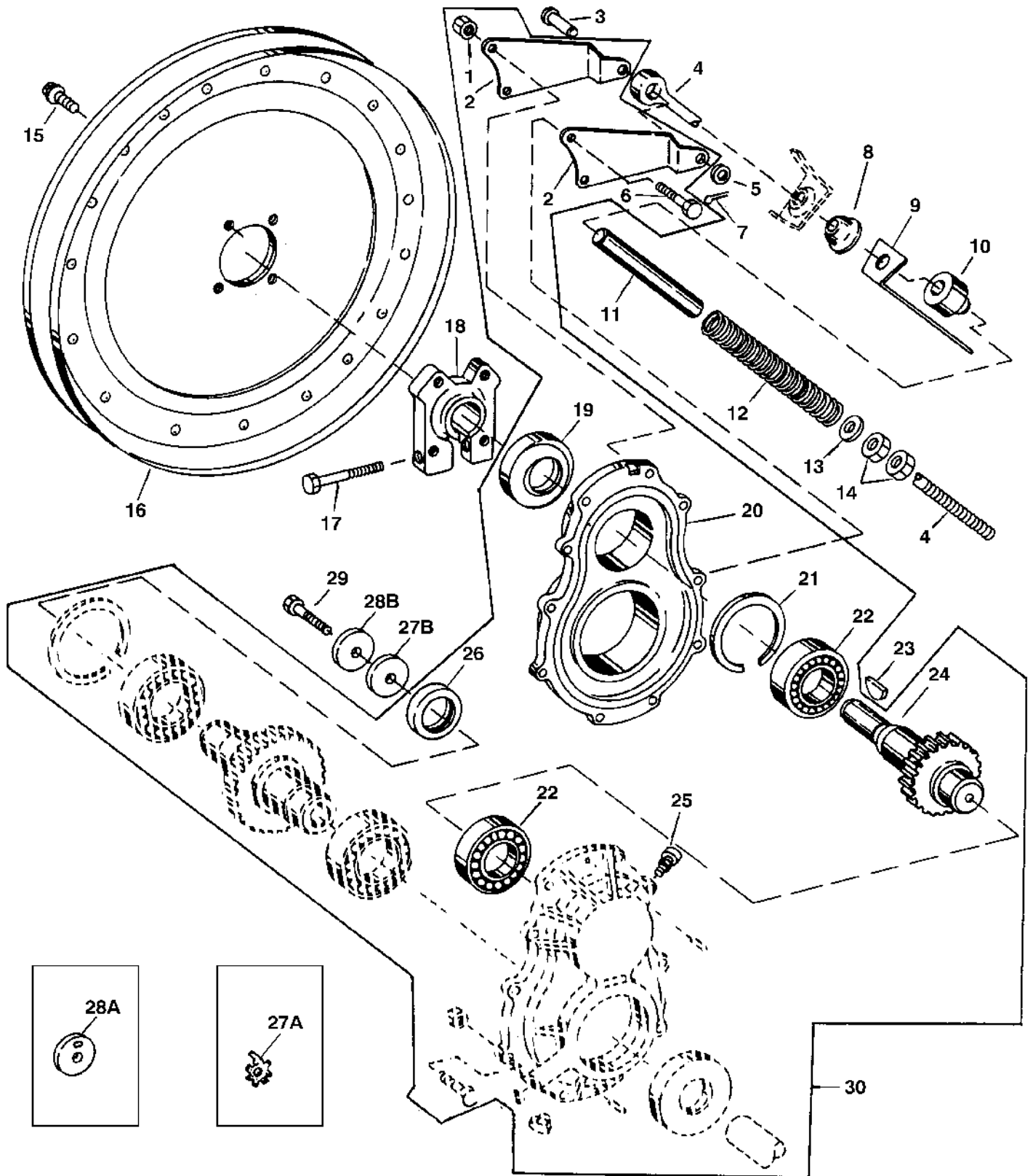
SECONDARY COUNTERSHAFT DRIVE - CONTINUED

KEY	PART NO.	PART NAME	QTY	SERIAL NO.	S H 9 9 5 5 0 0 0 0	REMARKS
1	H128010	BELT	1		X X	
2	AH124826	STUD	1		X X	
3	B10604	SPRING	1		X X	
4	H97513	BUSHING	1		X X	
5	11M7028	COTTER PIN	1		X X	5 X 32 MM
6	24M7047	WASHER	3		X X	13 X 24 X 2.500 MM
7	H133667	CLEVIS	1		X X	
8	H748DA	PIN	1		X X	12.700 X 28.575 MM (1/2" X 1-1/8")
9	19M7824	SCREW	1		X X	M16 X 60
10	AH97031	IDLER	1		X X	
11	14M7291	FLANGE NUT	1		X X	M16
12	P46402	SNAP RING	1		X X	
13	24M7091	WASHER	1		X X	26 X 44 X 4 MM
14	AA5607R	SEAL	2		X X	
15	H99147	BUSHING	2		X X	(SUB H171061)
	H171061	BEARING	2		X X	
16	AH124828	ARM	1		X X	
17	H129207	PIVOT	1		X X	
18	14M7275	NUT	2		X X	M12
19	AH104783	PULLEY	1		X X	
20	AH109197	PIN	1	-643457	X	
	AH139816	PIN	1	643458-	X X	
	AH156051	SPRING PIN	1	27MAY7-	X X	
21	H129101	SHEAVE	1	-640200	X	
	H142143	SHEAVE	1	640201-	X X	
22	19M7784	SCREW	3		X X	M10 X 20

9D23

DRIVES

STRAW WALKER DRIVE GEARCASE
HP6646 -UN-11FEB97

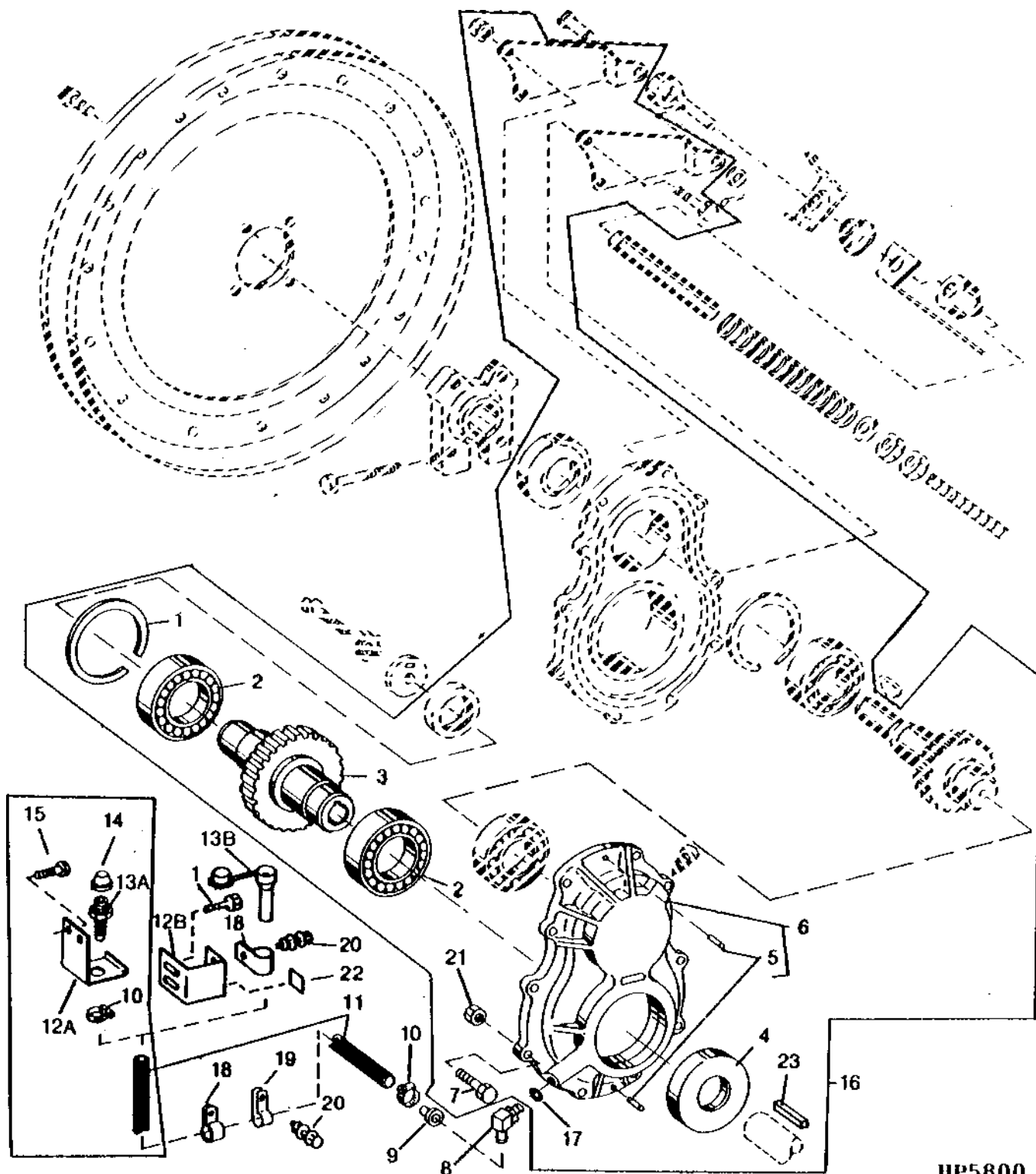


HP6646

STRAW WALKER DRIVE GEARCASE - CONTINUED

KEY	PART NO.	PART NAME	QTY	YEAR	S H 9 9 5 5 0 0 0 0	REMARKS
1	14M7298	FLANGE NUT	10		X X	M8
2	H129312	ARM	2		X X	
3	45M7084	PIN	1		X X	12 X 35 MM
4	H129311	EYEBOLT	1		X X	
5	24M7047	WASHER	1		X X	13 X 24 X 2.500 MM
6	19M8317	SCREW	2		X X	M8 X 40
7	11M7015	COTTER PIN	1		X X	3.200 X 25 MM
8	H129207	PIVOT	1		X X	
9	H135512	GAUGE	1		X X	
10	H135395	SPACER	1		X X	13 X 24 X 30 MM (0.512" X 0.945" X 1.181")
11	H134359	HOSE	1	-646782	X X	(SUB TY22329) CUT TO LENGTH
	TY22329	BULK HOSE	AR		X X	BULK HOSE
12	H86783	SPRING	1		X X	
13	24M7180	WASHER	1		X X	13 X 37 X 3 MM
14	14M7275	NUT	2		X X	M12
15	19M7784	SCREW	4		X X	M10 X 20
16	AH122863	SHEAVE	1		X X	
17	19M7663	CAP SCREW	1		X X	M8 X 70
18	H134760	HUB	1		X X	
19	AR90861	SEAL	1	-656292	X X	(SUB RE20768)
	RE20768	SEAL	1		X X	
20	AH125653	GEAR CASE	1	-632610	X	(SUB AH135573)
	AH135573	GEAR CASE	1		X X	GEARCASE W/TWO MATCHED HALVES ONLY INCLUDES TWO 34M7038, ALSO REQS.AR90369 ELBOW AND R26375 O-RING
21	R62192	SNAP RING	1		X X	
22	JD7686	BALL BEARING	2		X X	
23	26M4228	SHAFT KEY	1		X X	8 X 28 MM (0.315" X 1.102") WOODRUFF
24	H114134	PINION	1		X X	
25	U14273	BREATHER	1		X X	
26	AH111970	SEAL	1		X X	
27A	H135622	WASHER	1	-667782	X X	
27B	N134803	WASHER	1	667783-	X X	
28A	H135623	WASHER	1	-667782	X X	
28B	N134803	WASHER	1	667783-	X X	
29	H135511	SCREW	1	-667782	X X	
	H155973	SCREW	1		X X	
30	AH134869	GEAR CASE	1	-632610	X	(SUB AH135572)
	AH135572	GEAR CASE	1		X X	(SUB AH162469) GEARCASE W/TWO MATCHED HALVES AND COMPLETE INTERNAL PARTS. REQS. AR90369 ELBOW AND R26375 O-RING
	AH162469	GEAR CASE	1		X X	

STRAW WALKER DRIVE GEARCASE
HP5800 -UN-01JAN94



HP5800

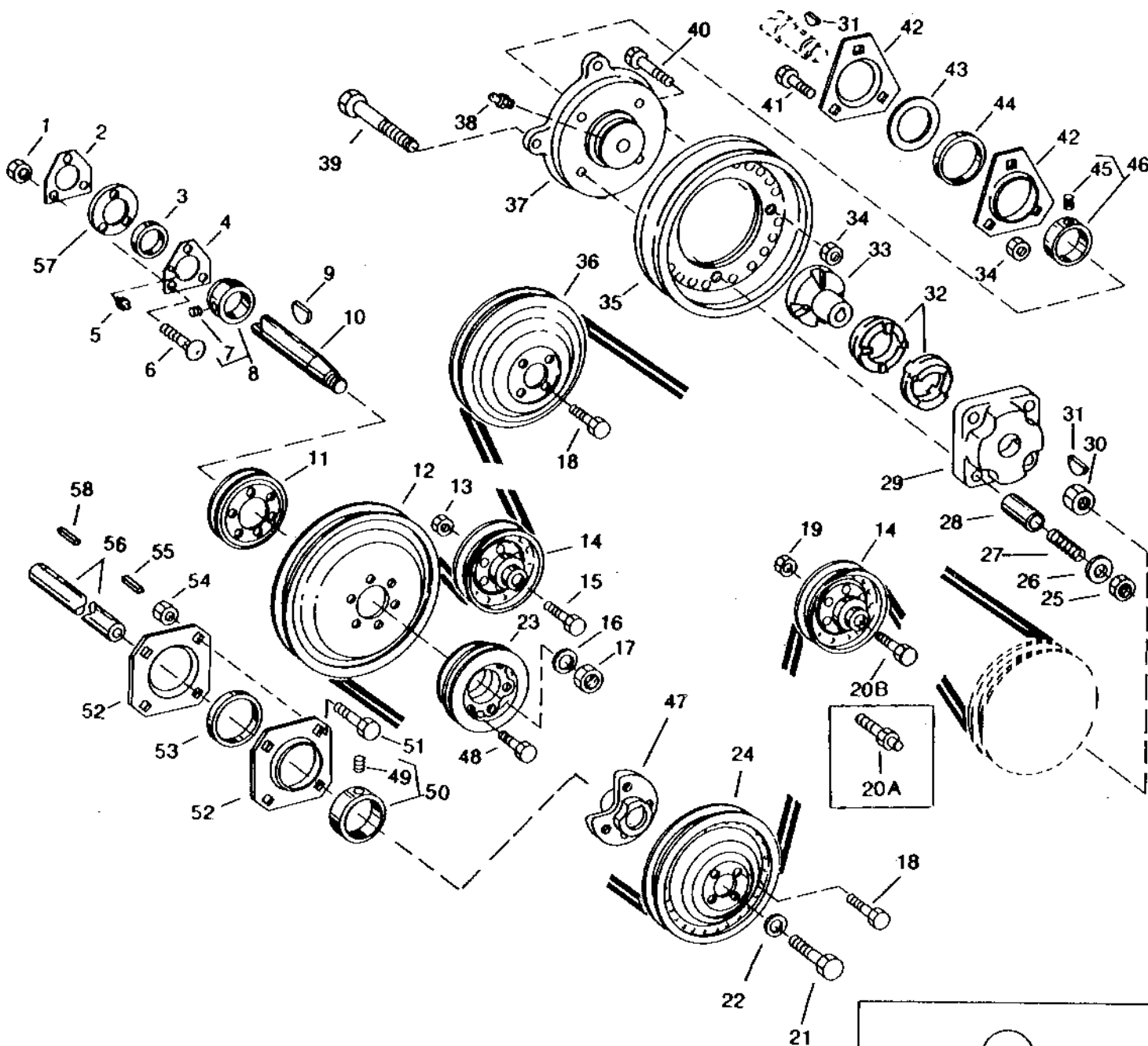
STRAW WALKER DRIVE GEARCASE - CONTINUED

KEY	PART NO.	PART NAME	QTY	SERIAL NO.	S H 9 9 5 5 0 0 0 0	REMARKS
1	BP13620	SNAP RING	1		X X	
2	JD10011	BALL BEARING	2		X X	
3	H114100	GEAR	1		X X	
4	AH1111971	SEAL	1		X X	
5	34M7038	SPRING PIN	2		X X	6 X 20 MM
6	AH125653	GEAR CASE	1	-632610	X	(SUB AH135573)
	AH135573	GEAR CASE	1	632611-	X X	GEARCASE W/TWO MATCHED HALVES ONLY INCLUDES TWO 34M7038, ALSO REQS. AR90369 ELBOW AND R26375 O-RING
7	19M7868	SCREW	8		X X	M8 X 30
8	15H622	ELBOW FITTING	1	-632610	X	
	AR90369	ELBOW FITTING	1	632611-	X X	
9	N195027	ADAPTER	1	-632610	X	
10	AR21837	CLAMP	2	-661529	X X	(SUB TY22465) FOR BLACK HOSE -ONE CLAMP W/ CLEAR HOSE
	TY22465	HOSE CLAMP	2		X X	
11	H133408	HYDRAULIC HOSE	1	-638947	X	
	H142055	LINE	1	638948-	X X	
12A	H133409	HOSE SUPPORT	1	-638947	X	
12B	H143420	STOP	1	638948-	X X	
13A	N117501	HOSE FITTING	1	-638898	X	
13B	M73346	OIL TUBE	1	638899-	X X	
14	15H582	FITTING	1		X X	
15	37M7083	SCREW	2		X X	M8 X 12, FOR H133409 HOSE SUPPORT
	37M7058	SCREW	2		X X	M8 X 20 FOR H143420 STOP
16	AH134869	GEAR CASE	1	-632610	X	(SUB AH135572)
	AH135572	GEAR CASE	1		X X	(SUB AH162469) GEARCASE W/TWO HALVES AND COMPLETE INTERNAL PARTS. REQS. AR90369 ELBOW AND R26375 O-RING
	AH162469	GEAR CASE	1		X X	
17	R26375	O-RING	1	632611-	X X	
18	T38377	CLIP	1	638259-	X X	FOR BLACK HOSE ON STRAW WALKER GEARBOX
19	T76719	CLAMP	2	638259-640950	X	FOR CLEAR HOSE ON STRAW WALKER GEARBOX
20	19M7867	SCREW	2		X X	M8 X 25
	14M7298	FLANGE NUT	2		X X	M8
21	14M7298	FLANGE NUT	10		X X	M8
22	H143421	DECAL	1	638900-640950	X	(SUB H145706) ALIGN TO BOTTOM EDGE
	H145706	LABEL	1	640951-	X X	
23	H138344	SHAFT KEY	1		X X	

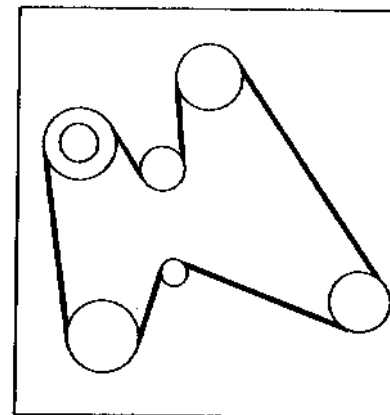
9E3

DRIVES

STRAW WALKER, CONVEYOR AUGERS, SIEVE AND CHAFFER DRIVE
HP4591 -UN-01JAN94



HP4591



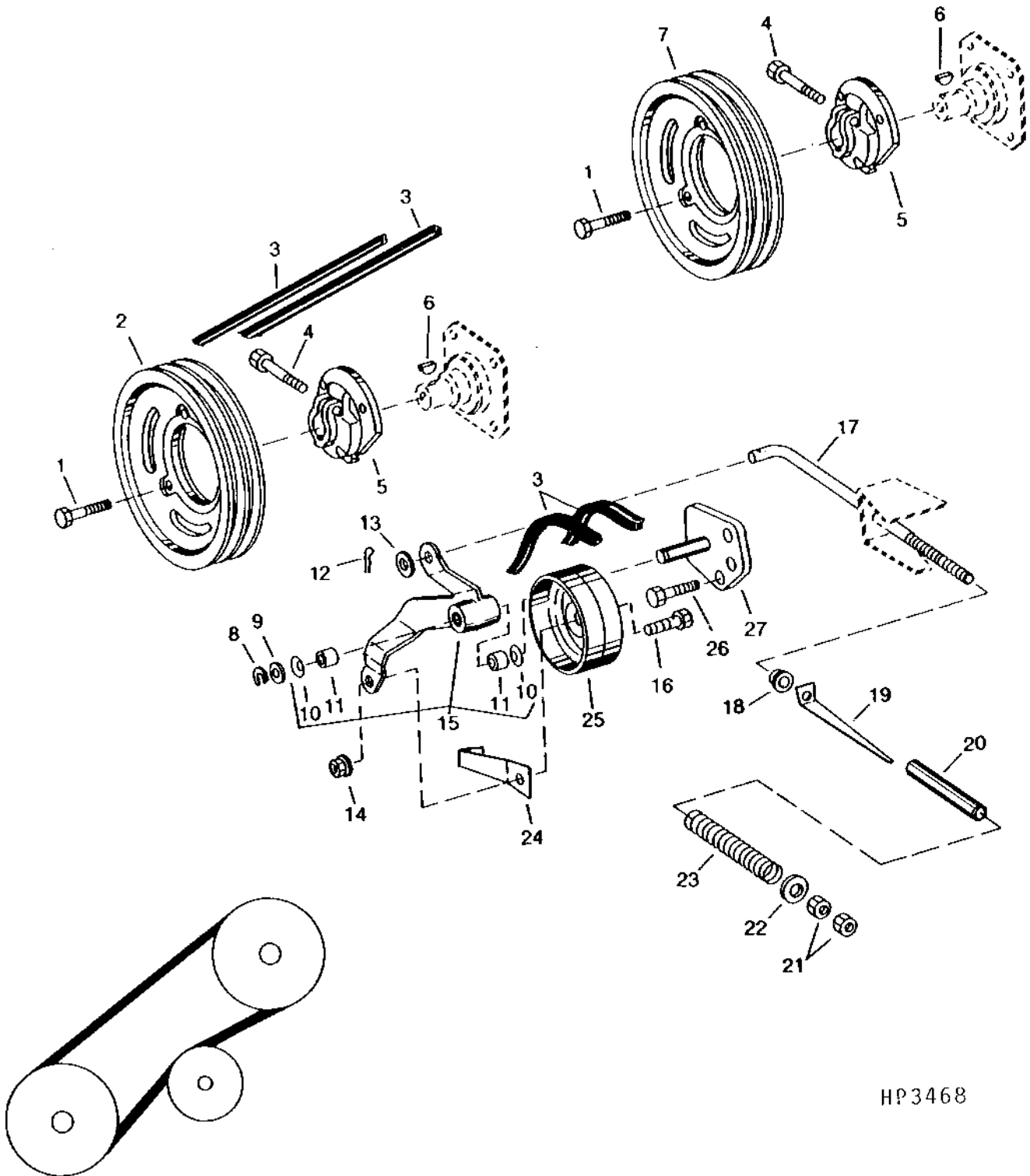
STRAW WALKER, CONVEYOR AUGERS, SIEVE AND CHAFFER DRIVE - CONTINUED

KEY	PART NO.	PART NAME	QTY	SERIAL NO.	S H 9 5 0 0	REMARKS
1	14M7296	FLANGE NUT	3		X X	M10
2	H135410	PRESSED FLANGED HOUSING	1		X X	
3	AH139296	BALL BEARING	1		X X	
4	AH129420	PRESSED FLANGED HOUSING	1		X X	
5	JD7846	LUBRICATION FITTING	1		X X	
6	03M7191	BOLT	3		X X	M10 X 25
7	22M7081	SET SCREW	1		X X	M10 X 10
8	AH133191	ECCENTRIC LOCKING COLLAR	1		X X	
9	26M6787	SHAFT KEY	1	-665369	X X	10 X 32 MM, WOODRUFF
	H153524	KEY	1	665370-	X X	WOODRUFF (HARDENED)
10	H132208	JACKSHAFT	1		X X	
11	H131170	SHEAVE	1		X X	
12	AH104783	PULLEY	1		X X	
13	14M7291	FLANGE NUT	1		X X	M16
14	AH94450	IDLER	2		X X	
15	19M7824	SCREW	1		X X	M16 X 60
16	24M7091	WASHER	1		X X	26 X 44 X 4 MM
17	14M7413	LOCK NUT	1		X X	M24
18	19M7784	SCREW	8		X X	M10 X 20
19	14M7291	FLANGE NUT	1		X X	M16
20A	H134463	STUD	1	-640200	X	
20B	19M7824	SCREW	1	640201-	X X	M16 X 60
21	19M7283	CAP SCREW	2		X X	M16 X 35
22	T119912	WASHER	2		X X	16.662 X 41.148 X 6.350 MM
23	H129101	SHEAVE	1	-640200	X	
	H142143	SHEAVE	1	640201-	X X	
24	AH126188	SHEAVE	1		X X	
25	14M7400	LOCK NUT	4		X X	M10
26	24M7101	WASHER	4		X X	11 X 34 X 3 MM, (SUB FOR (4) 24H1730)
27	R56722	SPRING	4		X X	
28	H87206	SPACER	4		X X	
29	H89525	RETAINER	1		X X	
30	14M7300	FLANGE NUT	1		X X	M20
31	26M4226	SHAFT KEY	1		X X	5 X 19 MM WOODRUFF
32	H128265	SLIP CLUTCH	2		X X	
33	H131098	HUB	1		X X	
34	14M7296	FLANGE NUT	4		X X	M10
35	AH126094	SHEAVE	1		X X	
36	AH122863	SHEAVE	1		X X	
37	H135423	HUB	1		X X	
38	JD7797	LUBRICATION FITTING	1		X X	
39	19M8166	CAP SCREW	4		X X	M10 X 110
40	19M7786	SCREW	4		X X	M10 X 30
41	03M7191	BOLT	3		X X	M10 X 25
42	E10018	PRESSED FLANGED HOUSING	2		X X	
43	H102533	SHIM	2	-642292	X	
	H102533	SHIM	5	642293-	X X	
44	AH129451	BALL BEARING	1		X X	
45	SET SCREW	1		X X	
46	AH129452	ECCENTRIC LOCKING COLLAR	1		X X	
47	H133603	HUB	1		X X	
48	19M7810	SCREW	6		X X	M10 X 80
49	22M7081	SET SCREW	2		X X	M10 X 10
50	AL14674	ECCENTRIC LOCKING COLLAR	2		X X	
51	03M7197	BOLT	8	-641948	X	M12 X 25
	03M7198	BOLT	8	641949-	X X	M12 X 30
52	H133621	PRESSED FLANGED HOUSING	4		X X	
53	JD39109	BALL BEARING	2		X X	
54	14M7299	FLANGE NUT	16		X X	M12
55	SHAFT KEY	1		X X	6 X 50 MM (IN AH141142 KEY STOCK KIT) (CUT FROM H150268)
56	H133598	SHAFT	1		X X	CLEANING SHOE SHAFT
57	H105578	SHIM	1		X X	
58	SHAFT KEY	1		X X	M6 X 100
..	H131169	BELT	1		X X	

9E5

DRIVES

BEATER DRIVE, SHEAVES AND TIGHTENER
HP3468 -UN-01JAN94



HP3468

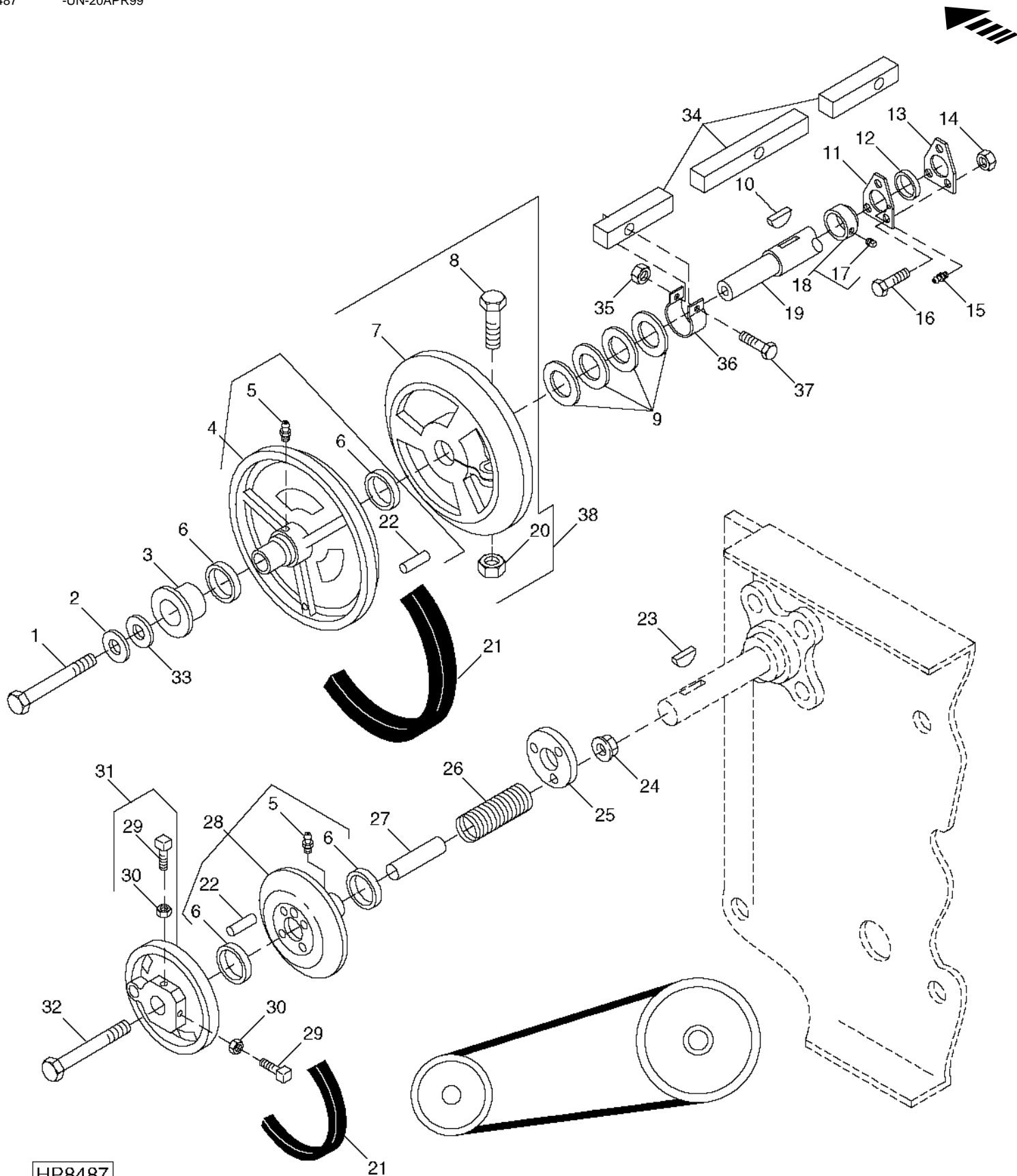
BEATER DRIVE, SHEAVES AND TIGHTENER - CONTINUED

KEY	PART NO.	PART NAME	QTY	SERIAL NO.	S H 9 5 0 0	REMARKS
1	19M7785	SCREW	6		X X	M10 X 25
2	H125558	SHEAVE	2		X X	FOR 100 PERCENT BEATER DRIVE
	H135849	SHEAVE	1		X X	FOR 75 PERCENT BEATER DRIVE
3	AH120918	BELT	1	-640200	X	(SUB AH139436) FOR 100 PERCENT BEATER DRIVE
	AH139436	BELT SET	1		X X	FOR 100 PERCENT BEATER DRIVE
	AH131960	BELT	1		X X	(SUB AH163931) FOR 75 PERCENT BEATER DRIVE
	AH163931	BELT	1		X X	FOR 75 PERCENT BEATER DRIVE
4	19M7808	SCREW	2		X X	M10 X 65
5	H128327	HUB	2		X X	
6	26M6787	SHAFT KEY	2		X X	10 X 32 MM, WOODRUFF
7	H135850	SHEAVE	1		X X	FOR 75 PERCENT BEATER DRIVE
8	P46402	SNAP RING	1		X X	
9	24M7091	WASHER	1		X X	26 X 44 X 4 MM
10	AA5607R	SEAL	2		X X	
11	H99147	BUSHING	2		X X	(SUB H171061)
	H171061	BEARING	2		X X	
12	11M7021	COTTER PIN	1		X X	4 X 25 MM
13	24M7047	WASHER	1		X X	13 X 24 X 2.500 MM
14	14M7299	FLANGE NUT	1		X X	M12
15	AH131508	ARM	1		X X	
16	19M7817	SCREW	1		X X	M12 X 70
17	H125560	BOLT	1		X X	
18	H129207	PIVOT	1		X X	
19	H114379	GAUGE	1	-666264	X X	(SUB H140944)
	H140944	GAUGE	1		X X	
20	H116916	HOSE	1	-646769	X X	(SUB TY22326) CUT TO LENGTH
	TY22326	BULK HOSE	1		X X	CUT TO LENGTH
21	14M7275	NUT	2		X X	M12
22	24M7180	WASHER	1		X X	13 X 37 X 3 MM
23	H82418	SPRING	1		X X	
24	H94386	BRACKET	2		X X	
25	AH111447	IDLER	1	-646794	X X	(SUB AH141762)
	AH141762	IDLER	1		X X	
26	19M7784	SCREW	3		X X	M10 X 20
27	AH109197	PIN	1	-27MAY7	X X	
	AH156051	SPRING PIN	1	27MAY7-	X X	
..	BH78623	COMPLETE GOODS/SHIP. BUNDLE	1		X X	75 PERCENT BEATER DRIVE

9E7

DRIVES

SEPARATOR FAN DRIVE
HP8487 -UN-20APR99



HP8487

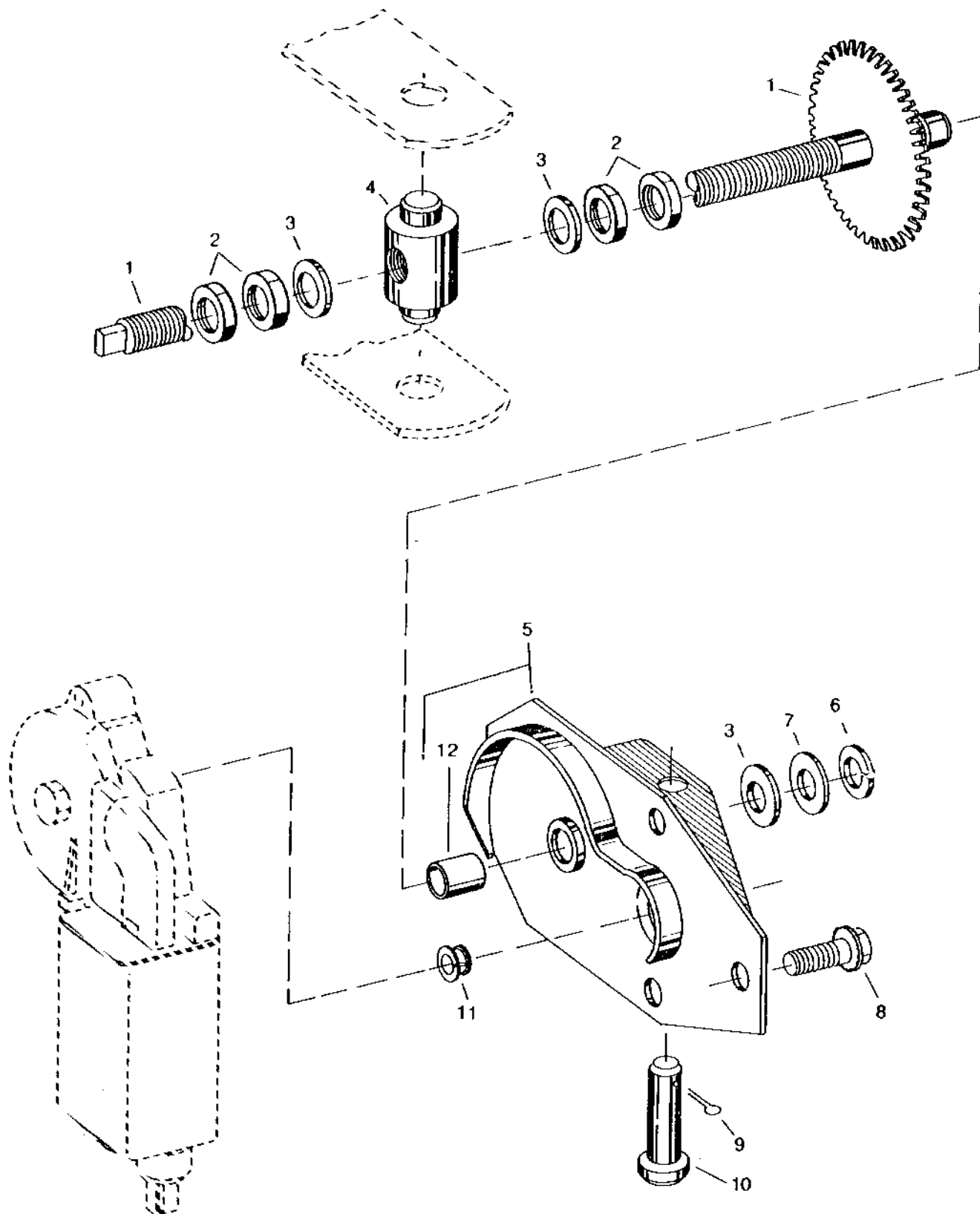
SEPARATOR FAN DRIVE - CONTINUED

KEY	PART NO.	PART NAME	QTY	SERIAL NO.	S H 9 5 0 0	REMARKS
1	19M7786	SCREW	1		X X	M10 X 30
2	24H1314	WASHER	1		X X	13/32" X 1-3/4" X 7/64"
3	AH124050	THROW-OUT BEARING	1		X X	
4	AH127496	SHEAVE	1	-670200	X X	401 MM O.D.(750-1350 RPM)
	AH131979	SHEAVE	1	-670200	X X	289 MM O.D. (490-980 RPM) OPT.
	AH146463	HALF SHEAVE	1	670201-	X X	401 MM O.D. (750-1350 RPM)
	AH146506	HALF SHEAVE	1	670201-	X X	289 MM O.D. (490-980 RPM) OPT. (SUB AH153040)
	AH153040	SHEAVE	1		X X	289 MM(490-980RPM)OPT
5	JD7759	LUBRICATION FITTING	2		X X	1/8" STRAIGHT
6	AH14080	SEAL	4		X X	
7	H132298	SHEAVE	1	-655249	X X	401 MM O.D. (750-1350 RPM) (SUB AH134873)
	H137266	SHEAVE	1	-670200	X X	289 MM O.D. (490-980 RPM) OPT.
	AH149357	HALF SHEAVE	1	670201-	X X	289 MM O.D. (490-980 RPM) OPT.
8	19M8112	SCREW	1		X X	M12 X 55
9	24H1512	WASHER	8		X X	1-13/32" X 2" X 0.032"
10	26M6787	SHAFT KEY	1	-665369	X X	10 X 32 MM, WOODRUFF
	H153524	KEY	1	665370-	X X	WOODRUFF (HARDENED)
11	AH129420	PRESSED FLANGED HOUSING	1		X X	
12	AH139296	BALL BEARING	1		X X	
13	H135410	PRESSED FLANGED HOUSING	1		X X	
14	14M7296	FLANGE NUT	3		X X	M10
15	JD7846	LUBRICATION FITTING	1		X X	45 DEGREE
16	03M7191	BOLT	3		X X	M10 X 25
17	22M7081	SET SCREW	1		X X	M10 X 10
18	AH133191	ECCENTRIC LOCKING COLLAR	1		X X	
19	H132208	JACKSHAFT	1		X X	
20	14M7299	FLANGE NUT	1		X X	M12
21	H140404	BELT	1	-670200	X X	(SUB FOR H135417) (750-1350 RPM) STD. SPEED
	H137264	BELT	1	-670200	X X	(490-980 RPM) OPT. SPEED
	H152146	BELT	1	670201-	X X	(750-1350 RPM) STD. SPEED
	H152180	BELT	1	670201-	X X	(490-980 RPM) OPT. SPEED
22	H100796	SPRING PIN	2		X X	15.875 X 69.850 MM (5/8" X 2-3/4")
23	26M6731	SHAFT KEY	1		X X	6 X 25 MM (0.236" X 0.984") WOODRUFF
24	14M7396	LOCK NUT	4		X X	M8
25	H135599	WASHER	1		X X	
26	H93399	SPRING	4		X X	
27	H133489	BUSHING	4		X X	8.630 X 11.110 X 78.500 MM (0.340" X 0.437" X 3.091")
28	AH131248	SHEAVE	1	-670200	X X	
	AH146461	HALF SHEAVE	1	670201-	X X	
29	H138435	SET SCREW	2		X X	M10 X 25
30	14M7152	NUT	2		X X	M10
31	AH131249	SHEAVE	1	-670200	X X	
	AH146462	HALF SHEAVE	1	670201-	X X	
32	19M7873	SCREW	4		X X	M8 X 110
33	24H1307	WASHER	AR		X X	13/32" X 1" X 1/16"
34	H137817	STRIPPER	1		X X	
35	14M7397	LOCK NUT	6		X X	M6
36	H137815	CLAMP	6		X X	
37	19M7862	SCREW	6		X X	M6 X 20
38	AH134873	SHEAVE	1	-670200	X X	INCLUDES KEYS 7, 8 AND 20
	AH149356	HALF SHEAVE	1	670201-	X X	INCLUDES KEYS 7, 8 AND 20
..	AH138893	KIT	1	-640200	X	(SUB (2) H137817)
..	AH138895	KIT	1	-640200	X X	(SUB (2) H137817)
..	H137817	STRIPPER	2		X X	
..	BH81191	COMPLETE GOODS/SHIP. BUNDLE	1		X X	SLOW SPEED FAN DRIVE (670201-)

FAN DRIVE SPEED CONTROL LINKAGE

(-640200)

HP3783 -UN-01JAN94



HP3783

9E10

DRIVES

FAN DRIVE SPEED CONTROL LINKAGE - CONTINUED
 (-640200)

KEY	PART NO.	PART NAME	QTY	SERIAL NO.	S H 9 5 0 0 0 0	REMARKS
1	AH128384	SHAFT	1		X X	
2	14M7382	NUT	4		X X	M16
3	H140397	THRUST WASHER	3		X X	
4	H133199	TRUNNION	1		X X	
5	AH128383	SUPPORT	1	-638835	X	(SUB AH128385)
	AH128385	SUPPORT	1	638836-655200	X X	(SUB AH143904)
	AH143904	SUPPORT	1		X X	
6	H25099	SNAP RING	1		X X	
7	H139132	SPACER	3		X X	
8	N14820	SELF-LOCKING SCREW	2	-655200	X X	
	19M8321	SCREW	3	655201-	X X	M6 X 45
	14M7303	FLANGE NUT	3	655201-	X X	M6
9	11M7059	COTTER PIN	1		X X	3.200 X 20 MM
10	45M7049	PIN	1	-656275	X X	12 X 65 MM, (SUB 45M7045)
	45M7045	PIN	1		X X	12 X 90 MM
11	H89515	WASHER	1		X X	
12	H91788	BUSHING	1		X X	

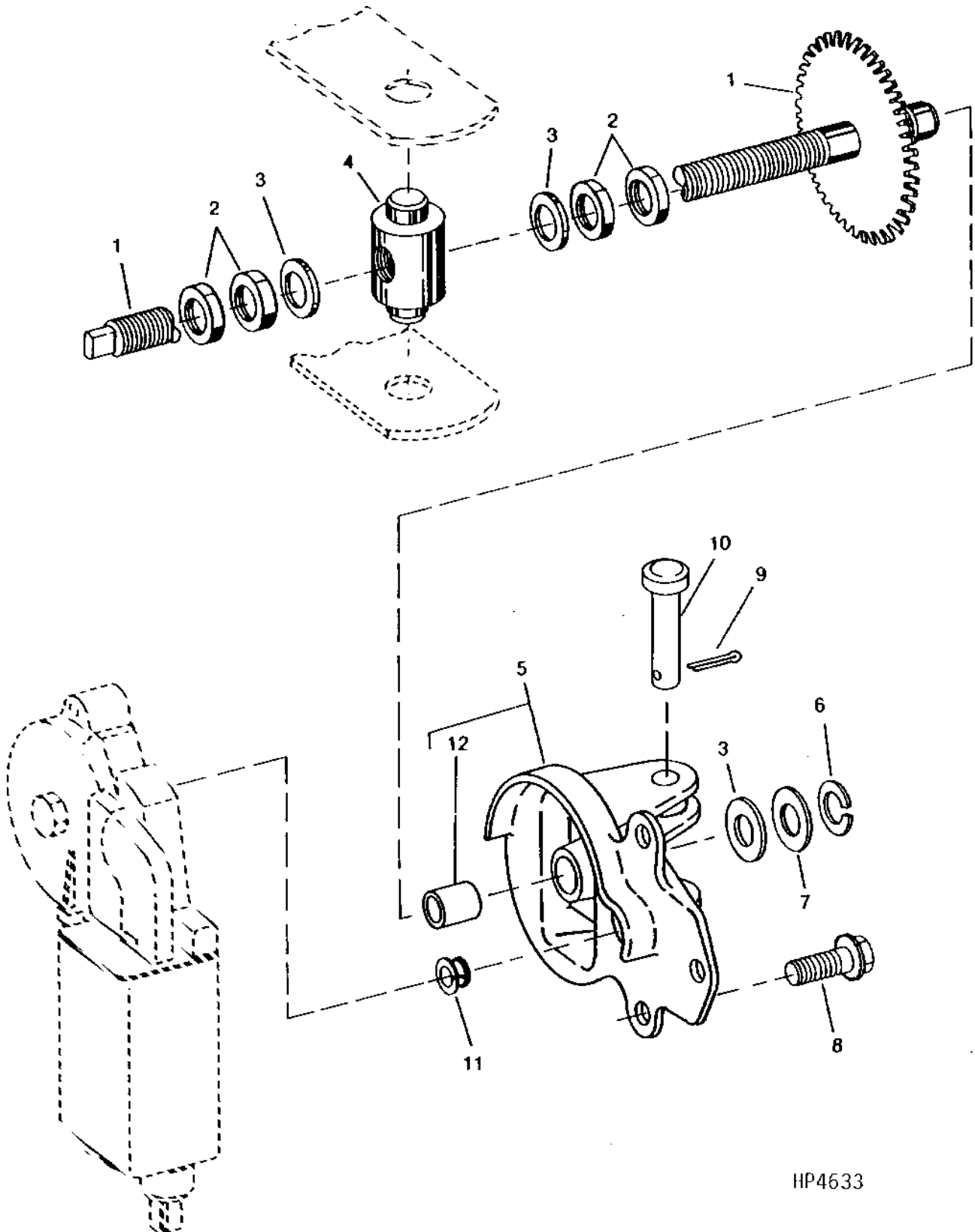
9E11

DRIVES

FAN DRIVE SPEED CONTROL LINKAGE

(640201-655200)

HP4633 -UN-01JAN94



HP4633

9E12

DRIVES

FAN DRIVE SPEED CONTROL LINKAGE - CONTINUED
(640201-655200)

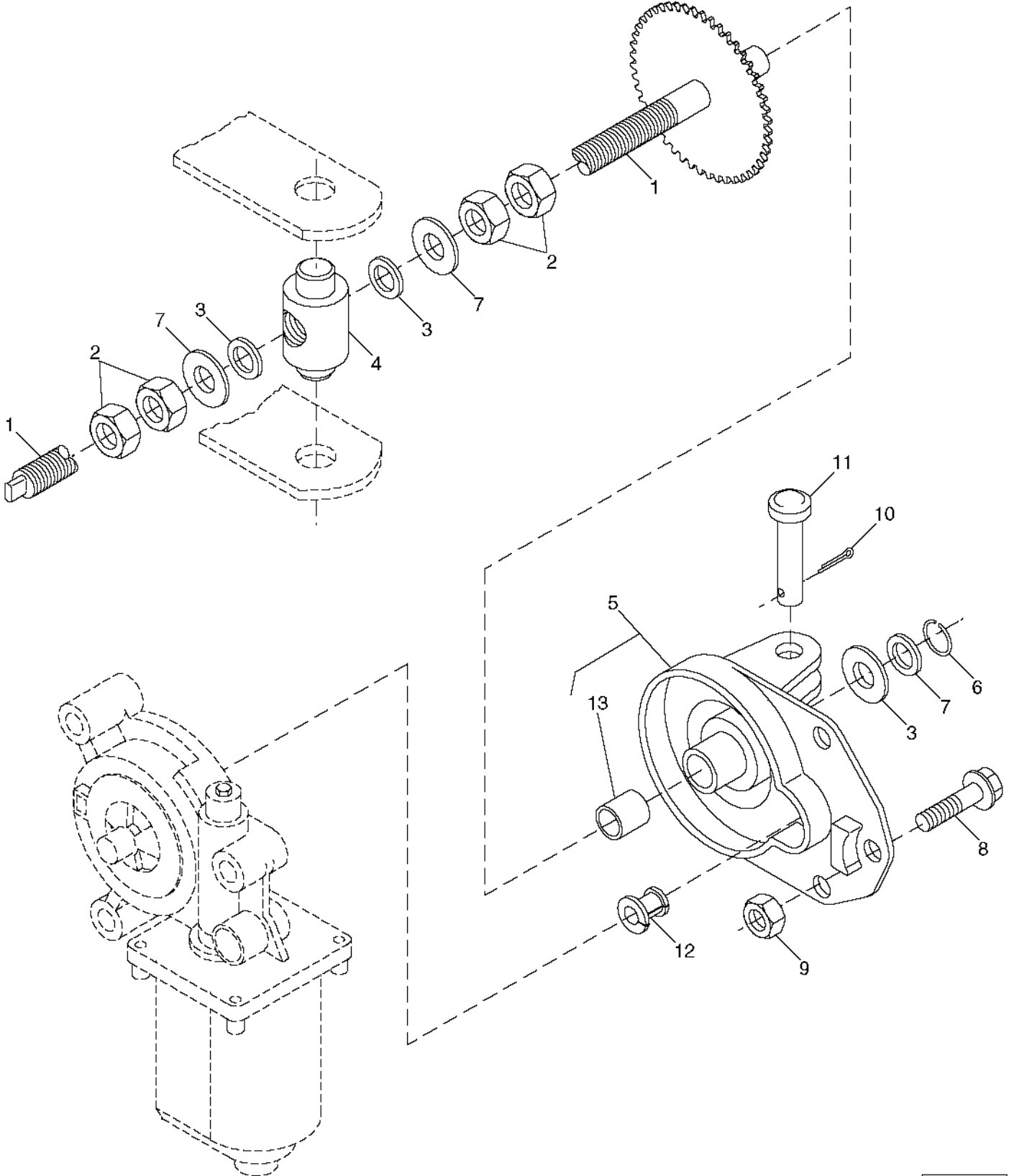
KEY	PART NO.	PART NAME	QTY	SERIAL NO.	S H 9 5 0 0 0 0	REMARKS
1	AH128384	SHAFT	1		X X	
2	14M7382	NUT	4		X X	M16
3	H140397	THRUST WASHER	3		X X	
4	H133199	TRUNNION	1		X X	
5	AH128385	SUPPORT	1	-655200	X X	(SUB AH143904)
	AH143904	SUPPORT	1		X X	
6	H25099	SNAP RING	1		X X	
7	H139132	SPACER	3		X X	
8	N14820	SELF-LOCKING SCREW	1		X X	
9	11M7059	COTTER PIN	1		X X	3.200 X 20 MM (0.126" X 0.787")
10	45M7049	PIN	1	-646275	X X	12 X 65 MM, (SUB 45M7045)
	45M7045	PIN	1		X X	12 X 90 MM
11	H89515	WASHER	1		X X	
12	H91788	BUSHING	1		X X	

9E13

DRIVES

FAN DRIVE SPEED CONTROL LINKAGE

(655201-)
HP7550 -UN-16AUG99



HP7550

9E14

DRIVES

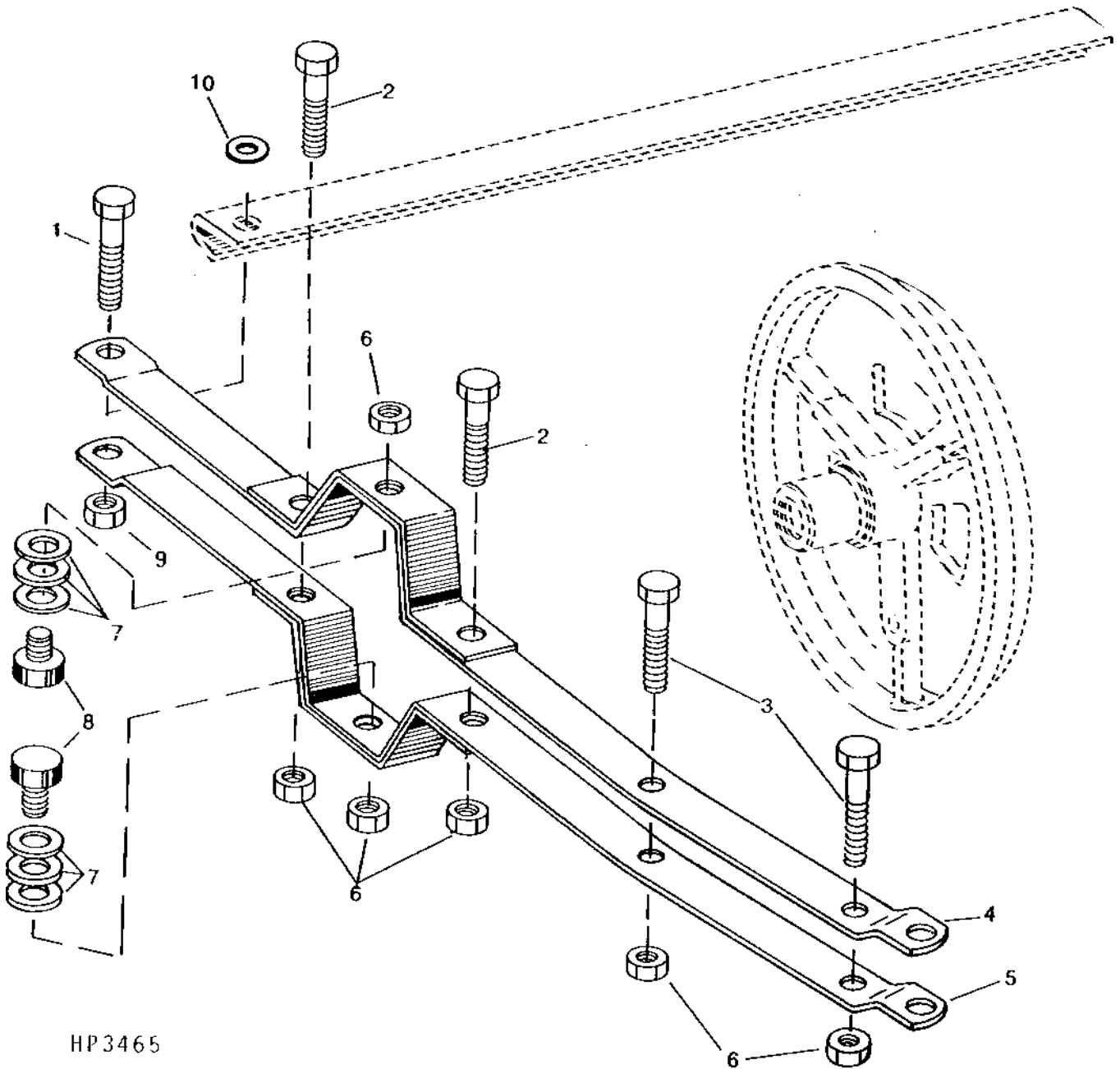
FAN DRIVE SPEED CONTROL LINKAGE - CONTINUED
(655201-)

KEY	PART NO.	PART NAME	QTY	SERIAL NO.	S H 9 9 5 5 0 0 0 0	REMARKS
1	AH128384	SHAFT	1		X X	
2	14M7382	NUT	4		X X	M16
3	H140397	THRUST WASHER	3		X X	
4	H133199	TRUNNION	1		X X	
5	AH143904	SUPPORT	1		X X	(SUB AH143904)
6	H25099	SNAP RING	1		X X	
7	H139132	SPACER	3		X X	
8	N14820	SELF-LOCKING SCREW	3	-655759	X X	
	19M8321	SCREW	3		X X	M6 X 45
9	14M7303	FLANGE NUT	3		X X	M6, (SUB 14M7165)
	14M7165	LOCK NUT	3		X X	M6
10	11M7059	COTTER PIN	1		X X	3.200 X 20 MM
11	45M7045	PIN	1		X X	12 X 90 MM
12	H89515	WASHER	1		X X	
13	H91788	BUSHING	1		X X	

9E15

DRIVES

FAN DRIVE SPEED CONTROL SHEAVE LINKAGE
HP3465 -UN-01JAN94



HP3465

9E16

DRIVES

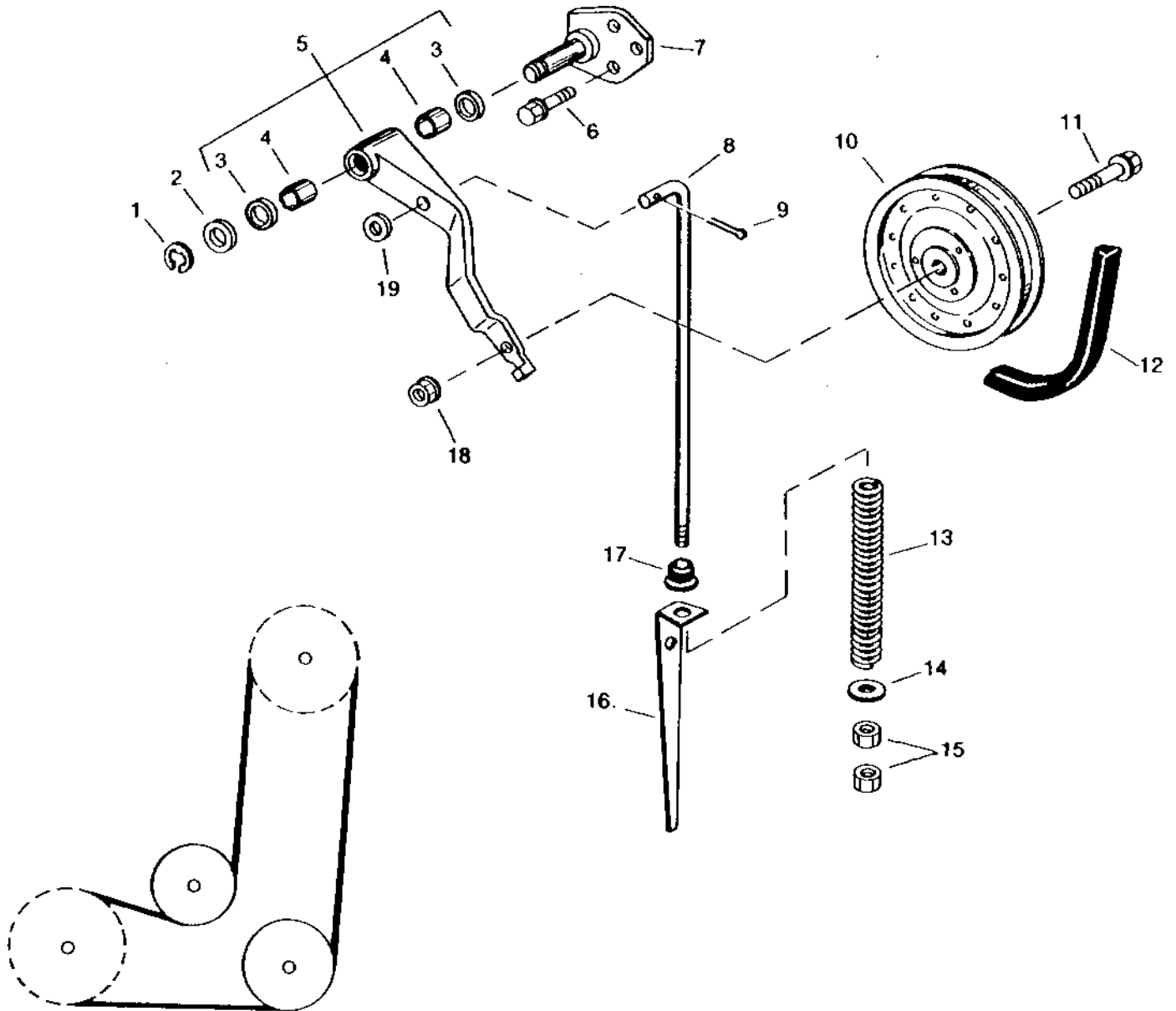
FAN DRIVE SPEED CONTROL SHEAVE LINKAGE - CONTINUED

KEY	PART NO.	PART NAME	QTY	SERIAL NO.	S H 9 5 0 0	REMARKS
1	19M7868	SCREW	1		X X	M8 X 30
2	19M7790	SCREW	2		X X	M12 X 35
3	19M7788	SCREW	2		X X	M12 X 25
4	AH134729	ARM	1		X X	
5	AH134730	ARM	1		X X	
6	14M7299	FLANGE NUT	6		X X	M12
7	24H1882	WASHER	6		X X	17/32" X 3/4" X 0.060"
8	19M8127	SCREW	2	-643087	X	M12 X 30
	19M8169	SCREW	2	643088-	X X	M12 X 30
9	14M7298	FLANGE NUT	1		X X	M8
10	28H1511	WASHER	1		X X	0.364" X 0.540" X 1/4"

9E17

FEEDER HOUSE DRIVE TIGHTENER

HP3469 -UN-01JAN94



HP3469

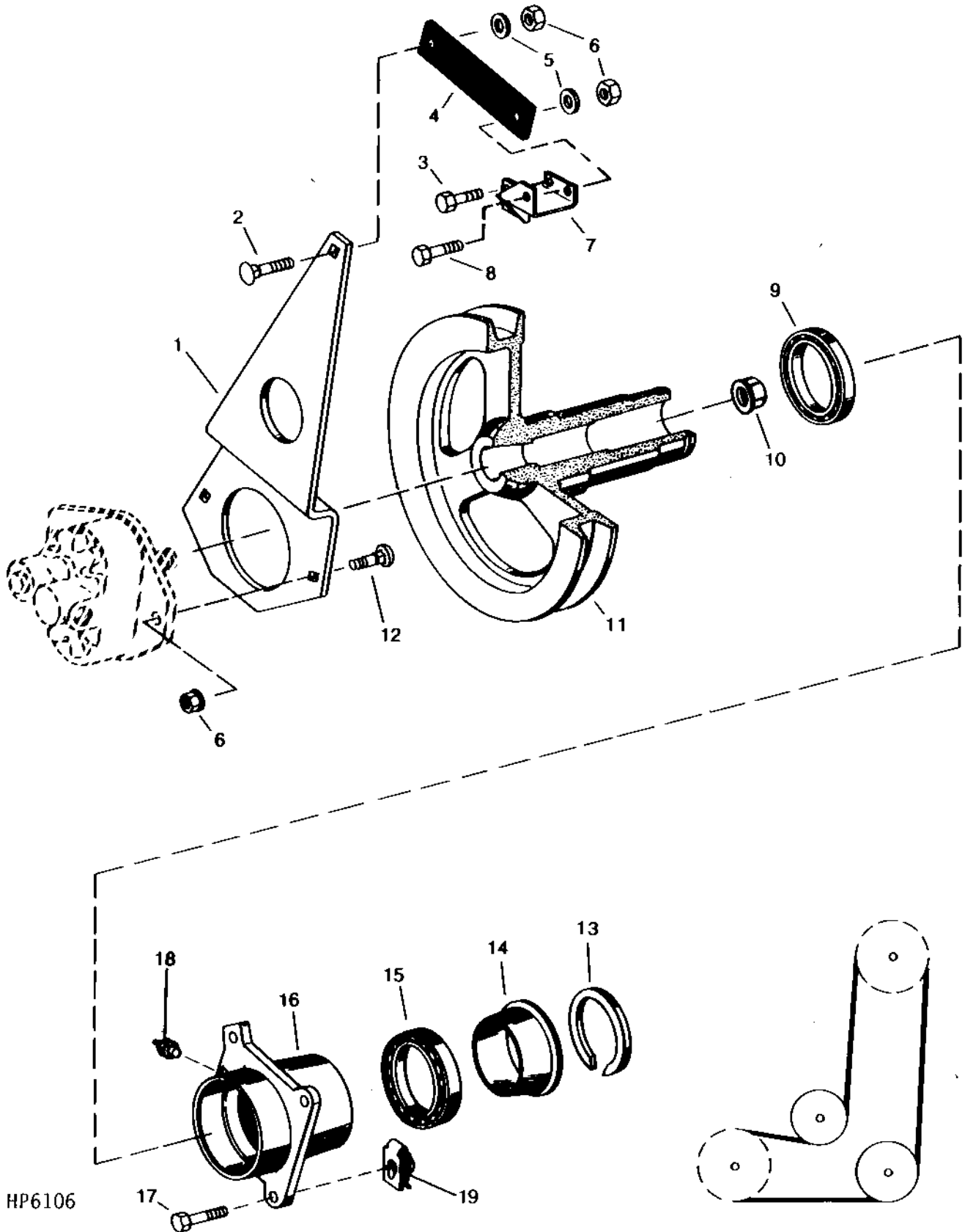
FEEDER HOUSE DRIVE TIGHTENER - CONTINUED

KEY	PART NO.	PART NAME	QTY	SERIAL NO.	S H 9 5 0 0	REMARKS
1	P46402	SNAP RING	1		X X	
2	24M7091	WASHER	1		X X	26 X 44 X 4 MM
3	AA5607R	SEAL	2		X X	
4	H99147	BUSHING	2		X X	(SUB H171061)
	H171061	BEARING	2		X X	
5	AH128903	ARM	1		X X	
6	19M7784	SCREW	3		X X	M10 X 20
7	AH109197	PIN	1	-27MAY7	X X	
	AH156051	SPRING PIN	1	27MAY7-	X X	
8	H126169	BOLT	1		X X	
9	11M7028	COTTER PIN	1		X X	5 X 32 MM
10	AH94450	IDLER	1		X X	
11	19M8046	CAP SCREW	1		X X	M16 X 70
12	H125565	BELT	1	-640200	X	
	H140160	BELT	1	640201-	X X	
13	N61654	SPRING	1		X X	
14	24H1373	WASHER	1		X X	21/32" X 1-9/16" X 0.180"
15	14M7276	NUT	2		X X	M16
16	H116862	GAUGE	1		X X	
17	H129208	PIVOT	1		X X	
18	14M7291	FLANGE NUT	1		X X	M16
19	24M7053	WASHER	1		X X	17 X 30 X 3 MM

9E19

DRIVES

REEL / BELT PICKUP CHARGE PUMP MOUNTING AND SHEAVE
HP6106 -UN-27JUN95



HP6106

THIS PARTS LISTING IS CONTINUED

9500 AND SIDEHILL 9500 MAXIMIZER™ COMBINES PC2179 (22-MAY-96)
PN=1124

9E20

DRIVES

REEL / BELT PICKUP CHARGE PUMP MOUNTING AND SHEAVE - CONTINUED

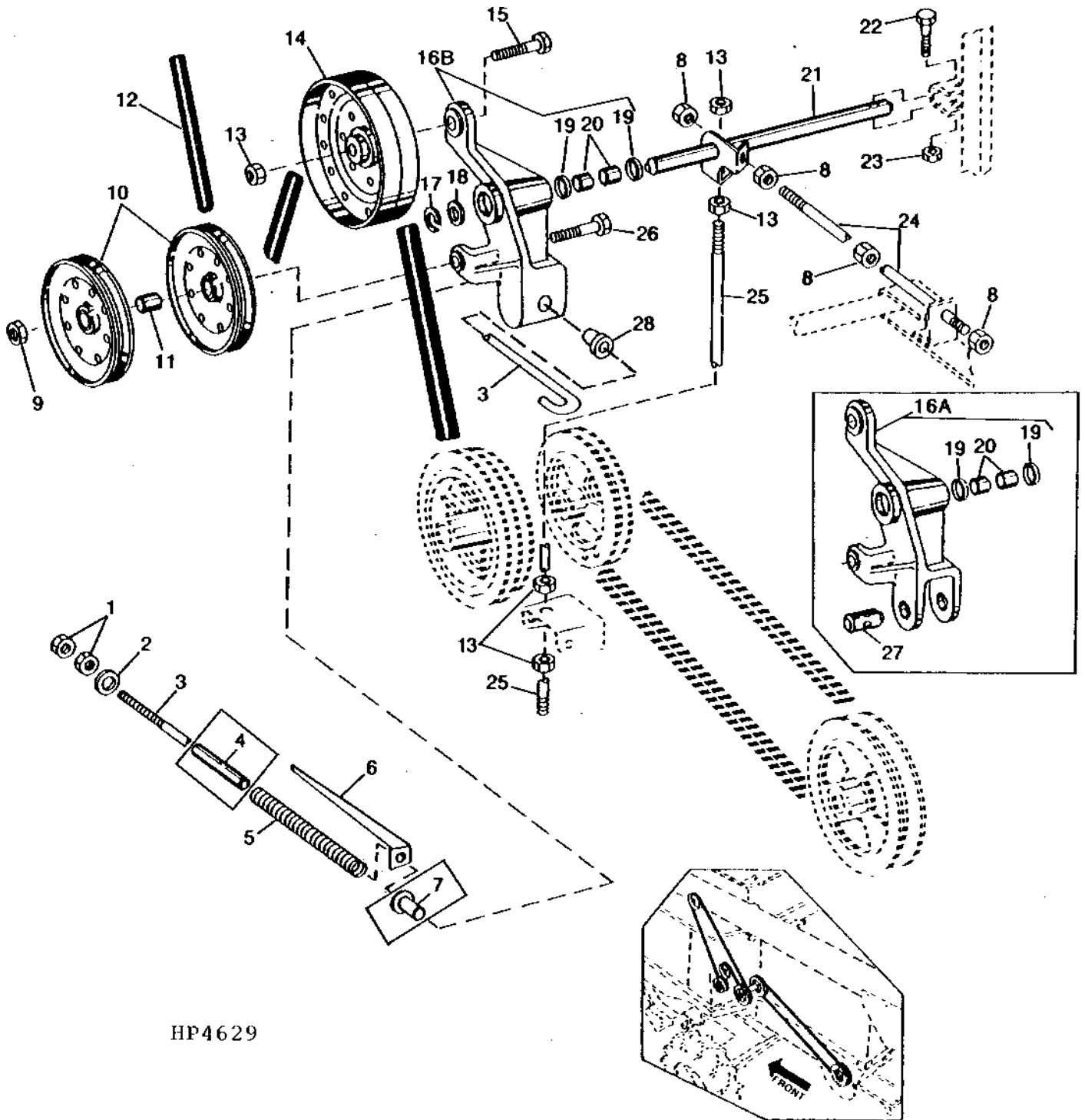
KEY	PART NO.	PART NAME	QTY	SERIAL NO.	S H 9 5 0 0	REMARKS
1	H128098	ARM	1		X X	
2	03M7185	BOLT	1		X X	M8 X 25
3	19M7865	SCREW	4		X X	M8 X 16 (NOT FOR USE WITH MUDSHIELD)
4	H78340	STRAP	1		X X	
5	24M7207	WASHER	2		X X	8.400 X 24 X 2 MM
6	14M7298	FLANGE NUT	4	-656033	X X	M8
	14M7396	LOCK NUT	2	656034-	X X	M8
7	H128111	BRACKET	1		X X	NOT FOR USE WITH MUDSHIELD
8	19M7867	SCREW	1		X X	M8 X 25
9	JD10312	BALL BEARING	1		X X	
10	E59406	FLANGE NUT	1		X X	3/8"
11	H132937	SHEAVE	1		X X	
12	03M7186	BOLT	2		X X	M8 X 30
13	BP13616	SNAP RING	1		X X	
14	B2984R	PLUG	1		X X	
15	AZ20216	BALL BEARING	1		X X	
16	H132938	HUB	1		X X	
17	19M7785	SCREW	4		X X	M10 X 25
18	JD7788	LUBRICATION FITTING	1		X X	45° X 20.574 MM LONG (0.810" LONG)
19	H146457	NUT	4		X X	10 MM (0.394")

9E21

DRIVES

STRAW CHOPPER DRIVES (FRONT)

HP4629 -UN-01JAN94



HP4629

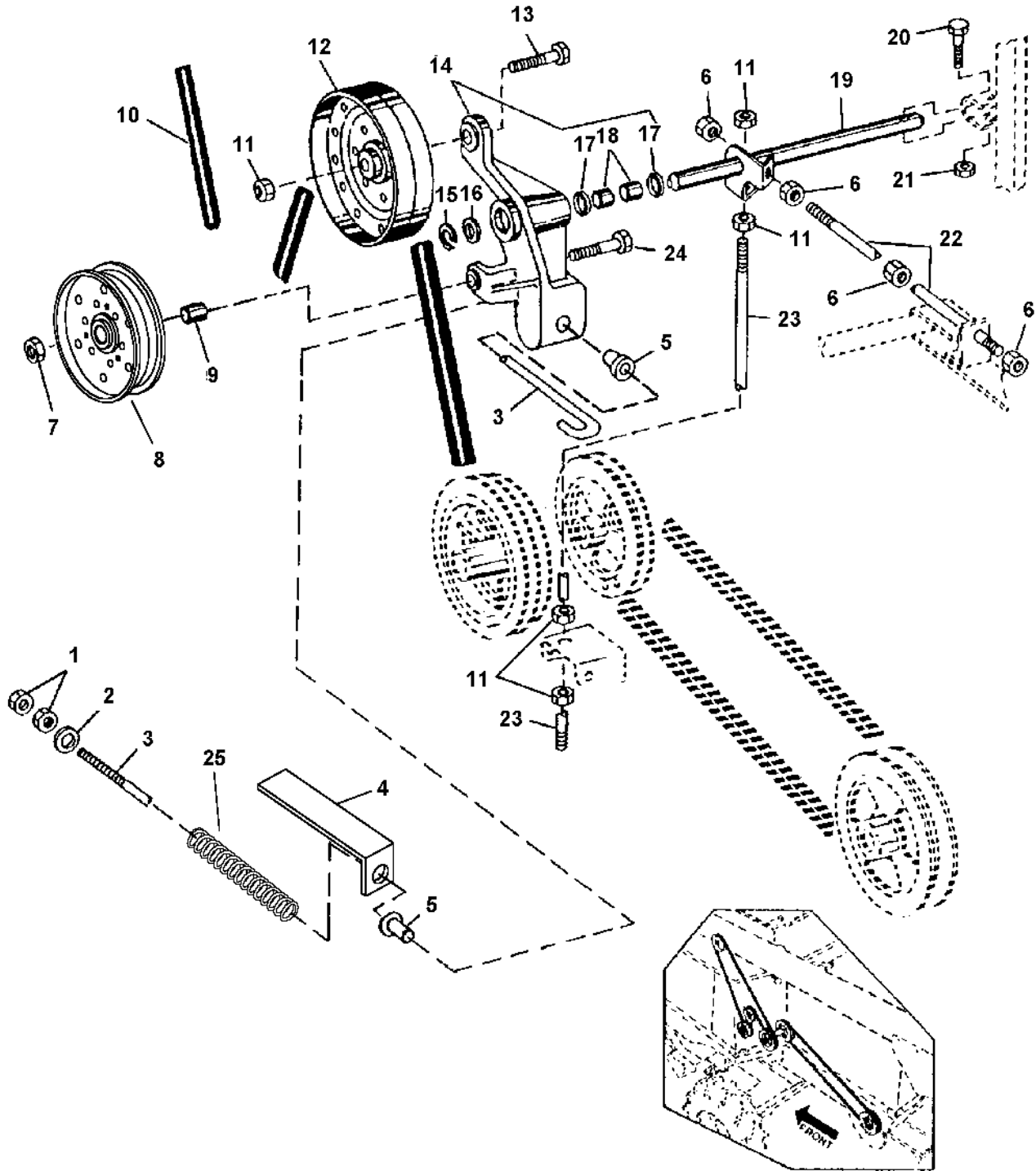
STRAW CHOPPER DRIVES (FRONT) - CONTINUED

KEY	PART NO.	PART NAME	QTY	SERIAL NO.	S H 9 9 5 5 0 0 0 0	REMARKS
1	14M7275	NUT	2		X X	M12
	14M7276	NUT	2		X X	M16
2	24M7180	WASHER	1		X X	13 X 37 X 3 MM
	24H1106	WASHER	1		X X	11/16" X 1-3/4" X 0.134"
3	H141565	HOOK BOLT	1	-640200	X	(SUB H141673)
	H141673	BOLT	1		X X	(USE WITH AH135342) (USE WITH AH135342 ARM)
4	H116161	HOSE	1	-646440	X	(SUB TY22326) CUT TO LENGTH - NO LONGER AVAILABLE
5	H82418	SPRING	1		X X	
6	H127923	GAUGE	1	-640200	X X	
	H140944	GAUGE	1	640201-670491	X X	
	H155062	GAUGE	1		X X	(SUB FOR H159956) (USE WITH R35542)
7	H141564	SPACER	1	-640200	X	12 X 30 X 27 MM (0.512" X 1.220" X 1.102")
8	14M7276	NUT	4		X X	M16
9	14M7291	FLANGE NUT	1		X X	M16
10	AN15237	IDLER	2		X X	
11	P50273	BUSHING	1		X X	16.662 X 25.222 X 16.662 MM (21/32" X 0.993" X 21/32")
12	H125380	BELT	1		X X	
13	14M7299	FLANGE NUT	5		X X	M12
14	AH93318	IDLER	1		X X	
15	19M7817	SCREW	1	-640200	X	M12 X 70
	19M7818	SCREW	1	640201-	X X	
16A	AH128675	ARM	1	-640200	X	
16B	AH135342	ARM	1	640201-	X X	REQUIRES H141673,H129208,H140944 14M7276 AND 24H1106
17	P46402	SNAP RING	1		X X	
18	24M7091	WASHER	1		X X	26 X 44 X 4 MM
19	AA5607R	SEAL	2		X X	
20	H99147	BUSHING	2		X X	(SUB H171061)
	H171061	BEARING	2		X X	
21	AH134319	PIN	1		X X	
22	19M8292	SCREW	1		X X	M10 X 50
23	14M7296	FLANGE NUT	1		X X	M10
24	H139545	STUD	1		X X	
25	H120198	STUD	1		X X	
26	19M7845	SCREW	1	-640200	X	M16 X 90
	19M7828	SCREW	1	640201-	X X	M16 X 100
27	H141563	PIVOT	1	-640200	X	
28	H129208	PIVOT	1	640201-	X X	
..	BH80154	COMPLETE GOODS/SHIP. BUNDLE	1		X X	CORN CHOPPER WITH DRIVES
..	BH80127	COMPLETE GOODS/SHIP. BUNDLE	1		X X	STRAW CHOPPER WITH DRIVES

9E23

FINE CUT STRAW CHOPPER DRIVES (FRONT)

HP7616 -UN-31AUG98



HP7616

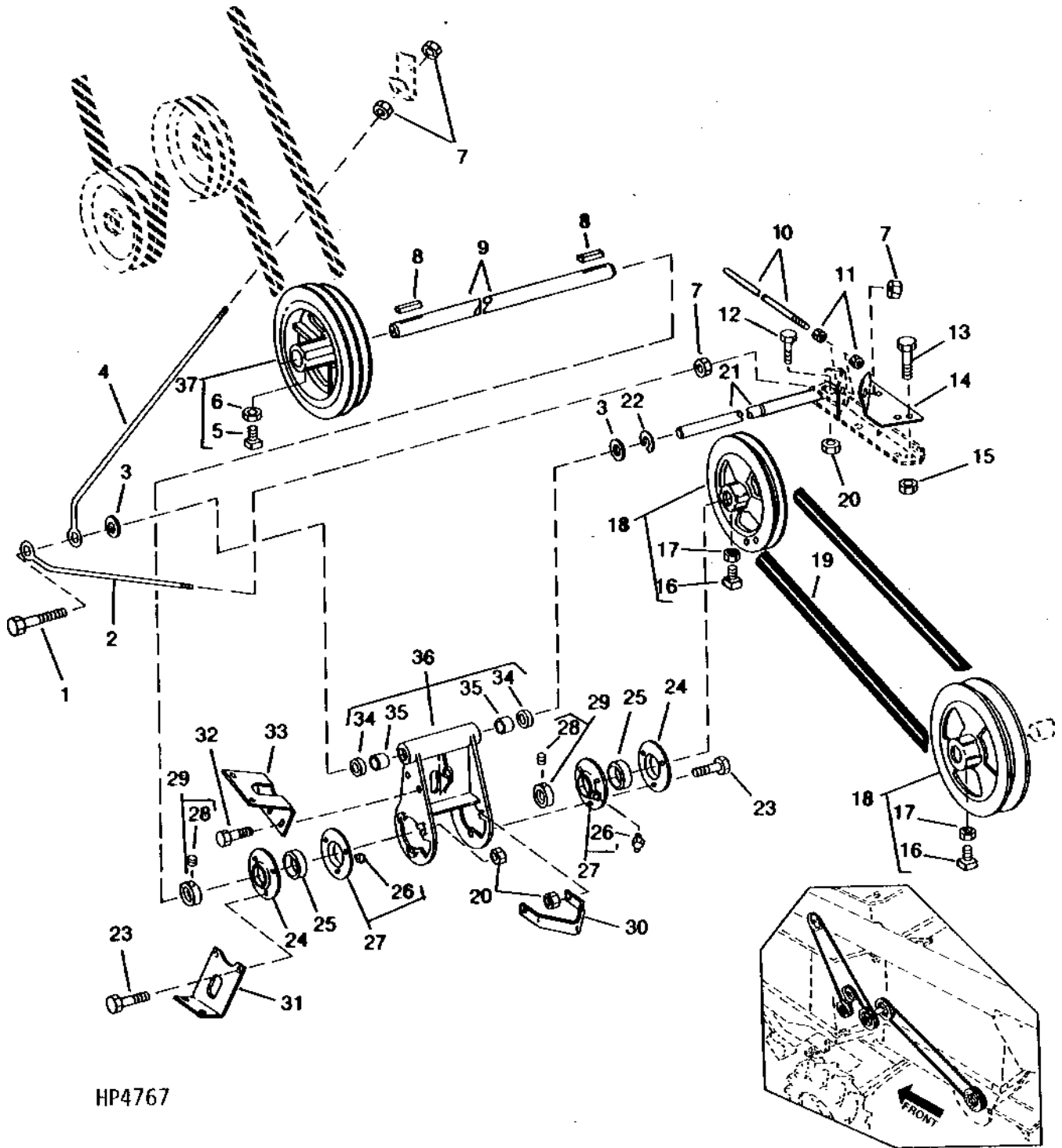
FINE CUT STRAW CHOPPER DRIVES (FRONT) - CONTINUED

KEY	PART NO.	PART NAME	QTY	SERIAL NO.	S H 9 5 0 0	REMARKS
1	14M7276	NUT	2		X X	M16
2	24H1106	WASHER	1		X X	11/16" X 1-3/4" X 0.134"
3	H141673	BOLT	1		X X	(USE WITH AH135342) (USE WITH AH135342 ARM)
4	H155062	GAUGE	1		X X	(SUB FOR H159956) (USE WITH R35542)
5	H129208	PIVOT	1		X X	
6	14M7276	NUT	4		X X	M16
7	14M7291	FLANGE NUT	1		X X	M16
8	AE22622	PULLEY	2		X X	
9	N110219	BUSHING	1		X X	16.256 X 31.750 X 12.700 MM (0.640" X 1-1/4" X 1/2")
10	H157726	BELT	1		X X	
11	14M7299	FLANGE NUT	5		X X	M12
12	AH93318	IDLER	1		X X	
13	19M7818	SCREW	1		X X	
14	AH135342	ARM	1		X X	REQUIRES H141673,H129208,H140944 14M7276 AND 24H1106
15	P46402	SNAP RING	1		X X	
16	24M7091	WASHER	1		X X	26 X 44 X 4 MM
17	AA5607R	SEAL	2		X X	
18	H99147	BUSHING	2		X X	(SUB H171061)
	H171061	BEARING	2		X X	
19	AH134319	PIN	1		X X	
20	19M8292	SCREW	1		X X	M10 X 50
21	14M7296	FLANGE NUT	1		X X	M10
22	H139545	STUD	1		X X	
23	H120198	STUD	1		X X	
25	H82418	SPRING	1		X X	

9F1

DRIVES

STRAW CHOPPER DRIVES (REAR)
HP4767 -UN-01JAN94



HP4767

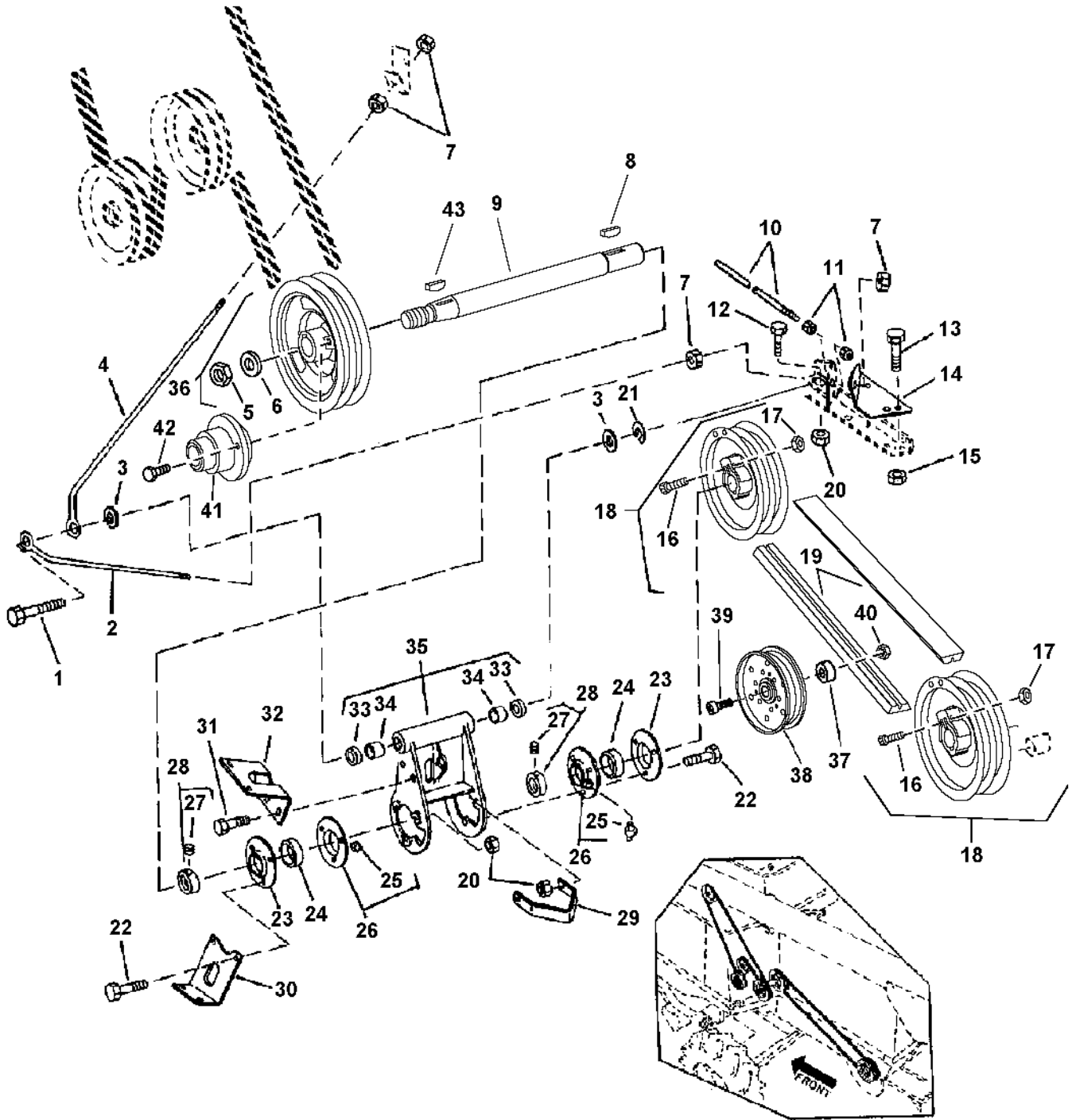
STRAW CHOPPER DRIVES (REAR) - CONTINUED

KEY	PART NO.	PART NAME	QTY	SERIAL NO.	S H 9 5 0 0	REMARKS
1	19M7815	SCREW	1		X X	M12 X 60
2	H127907	EYEBOLT	1		X X	
3	24M7091	WASHER	2		X X	26 X 44 X 4 MM
4	H127906	EYEBOLT	1		X X	
5	H138435	SET SCREW	2		X X	
6	14M7152	NUT	2		X X	M10
7	14M7291	FLANGE NUT	4		X X	M16
8	H2383H	KEY	2		X X	
9	H137570	JACKSHAFT	1		X X	(FOR STRAWCHOPPER AND OR CHAFF SPREADER WITH TAPPED END)
	H169712	JACKSHAFT	1		X X	(SUB FOR H157687)
10	H139545	STUD	1		X X	
11	14M7276	NUT	2		X X	M16
12	19M8292	SCREW	1		X X	M10 X 50
13	19M7867	SCREW	2		X X	M8 X 25
14	H133812	SUPPORT	1		X X	
15	14M7298	FLANGE NUT	2		X X	M8
16	H138435	SET SCREW	4		X X	
17	14M7152	NUT	4		X X	M10
18	AH119770	SHEAVE	2		X X	
19	H125381	BELT	1		X X	CHOPPER IN REAR OPERATING POSITION
	P47885	BELT	1	-640200	X	CHOPPER IN WINDROW OR FORWARD POSITION
	H23950	BELT	1	640201-	X X	123"
	H157726	BELT	1		X X	FINE CUT CHOPPER
20	14M7296	FLANGE NUT	7		X X	M10
21	H120194	PIN	1		X X	
22	P43363	SNAP RING	1		X X	
23	19M8162	CAP SCREW	6		X X	M10 X 40
24	H135410	PRESSED FLANGED HOUSING	2		X X	
25	AH139296	BALL BEARING	2		X X	
26	JD7797	LUBRICATION FITTING	2		X X	
27	AE30624	PRESSED FLANGED HOUSING	2	-670000	X X	
	AH163686	PRESSED FLANGED HOUSING	2	670000-	X X	
28	22M7081	SET SCREW	2		X X	M10 X 10
29	AH133191	ECCENTRIC LOCKING COLLAR	2		X X	
30	H129125	STRAP	1		X X	
31	H132976	BRACKET	1		X X	
32	19M7865	SCREW	2		X X	M8 X 16
33	H132901	BRACKET	1		X X	
34	AA5607R	SEAL	2		X X	
35	H99147	BUSHING	2		X X	(SUB H171061)
	H171061	BEARING	2		X X	
36	AH136126	ARM	1		X X	(SUB FOR AH128674) (SUB AH169220)
	AH169220	ARM	1		X X	
37	AH127602	SHEAVE	1		X X	
	H157688	SHEAVE	1		X X	FINE CUT CHOPPER
..	BH80122	COMPLETE GOODS/SHIP. BUNDLE	1			STRAW CHOPPER W/DRIVES

9F3

FINE CUT STRAW CHOPPER DRIVES (REAR)

HP7617 -UN-31AUG98



HP7617

9F4

DRIVES

FINE CUT STRAW CHOPPER DRIVES (REAR) - CONTINUED

KEY	PART NO.	PART NAME	QTY	SERIAL NO.	S H 9 5 0 0	REMARKS
1	19M7815	SCREW	1		X X	M12 X 60
2	H127907	EYEBOLT	1		X X	
3	24M7091	WASHER	2		X X	26 X 44 X 4 MM
4	H127906	EYEBOLT	1		X X	
5	14M7300	FLANGE NUT	1		X X	M20
6	24H1236	WASHER	1		X X	13/16" X 2" X 0.149"
7	14M7291	FLANGE NUT	4		X X	M16
8	26M6787	SHAFT KEY	1		X X	10 X 32 MM
9	H169712	JACKSHAFT	1		X X	(SUB FOR H157687) FINE CUT CHOPPER
10	H139545	STUD	1		X X	
11	14M7276	NUT	2		X X	M16
12	19M8292	SCREW	1		X X	M10 X 50
13	19M7867	SCREW	2		X X	M8 X 25
14	H133812	SUPPORT	1		X X	
15	14M7298	FLANGE NUT	2		X X	M8
16	19M8292	SCREW	2		X X	M10 X 50
17	14M7296	FLANGE NUT	2		X X	M10
18	AH150016	SHEAVE	2		X X	
19	H157726	BELT	1		X X	
20	14M7296	FLANGE NUT	7		X X	M10
21	P43363	SNAP RING	1		X X	
22	19M8162	CAP SCREW	6		X X	M10 X 40
23	H135410	PRESSED FLANGED HOUSING	2		X X	
24	AH139296	BALL BEARING	2		X X	
25	JD7797	LUBRICATION FITTING	2		X X	
26	AE30624	PRESSED FLANGED HOUSING	2	-670000	X X	
	AH163686	PRESSED FLANGED HOUSING	2	670000-	X X	
27	22M7081	SET SCREW	2		X X	M10 X 10
28	AH133191	ECCENTRIC LOCKING COLLAR	2		X X	
29	H129125	STRAP	1		X X	
30	H132976	BRACKET	1		X X	
31	19M7865	SCREW	2		X X	M8 X 16
32	H132901	BRACKET	1		X X	
33	AA5607R	SEAL	2		X X	
34	H99147	BUSHING	2		X X	(SUB H171061)
	H171061	BEARING	2		X X	
35	AH136126	ARM	1		X X	(SUB AH169220)
	AH169220	ARM	1		X X	
36	H157688	SHEAVE	1		X X	
37	N110219	BUSHING	1		X X	
38	AE22622	PULLEY	1		X X	
39	19M7827	SCREW	1		X X	M16 X 80
40	14M7291	FLANGE NUT	1		X X	M16
41	H157247	HUB	1		X X	
42	19M7788	SCREW	2		X X	M12 X 25
43	26H103	SHAFT KEY	1		X X	1/4" X 2-1/8"

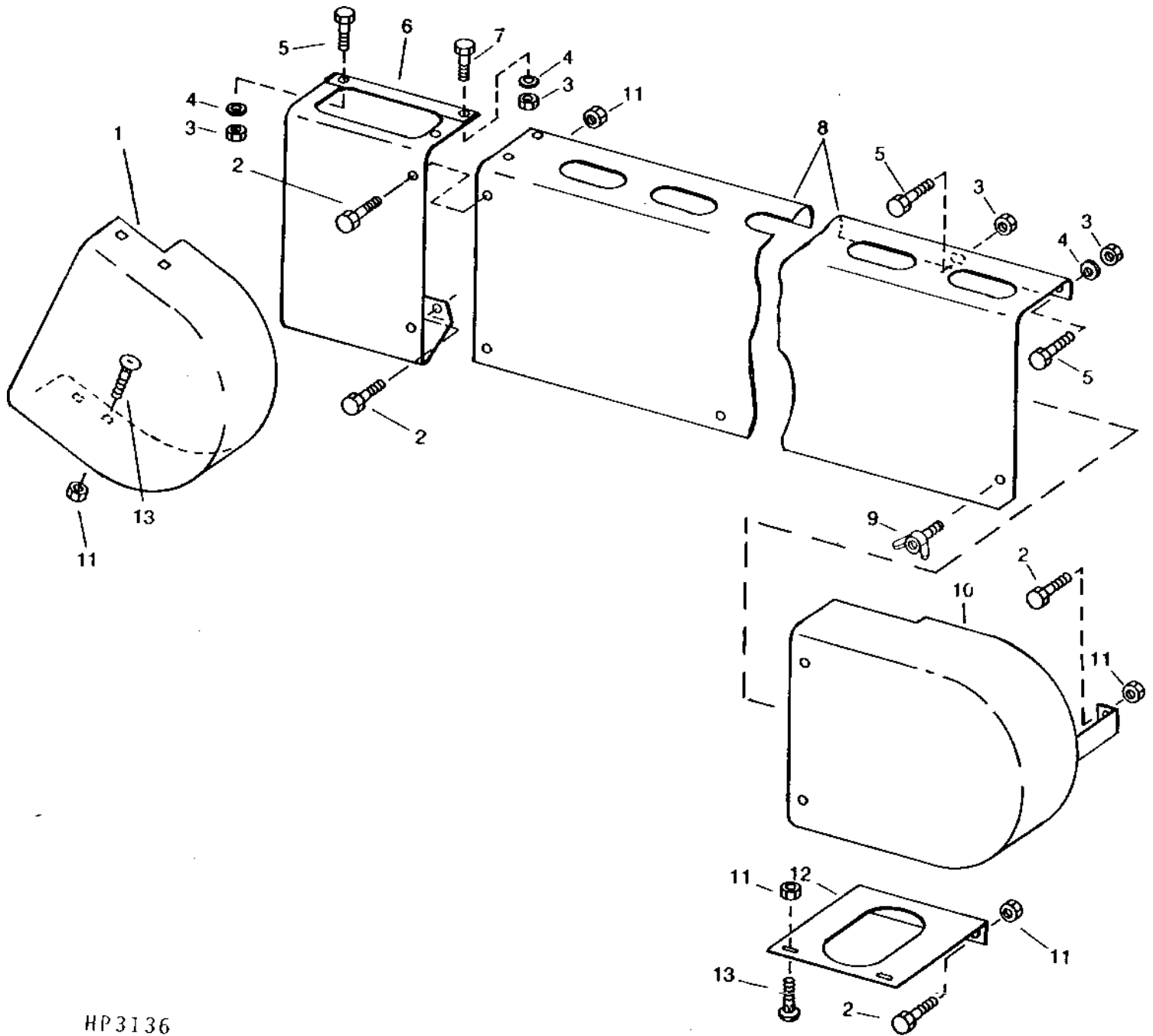
9F5

DRIVES

STRAW CHOPPER DRIVE SHIELDS

(-640200)

HP3136 -UN-01JAN94



HP3136

9F6

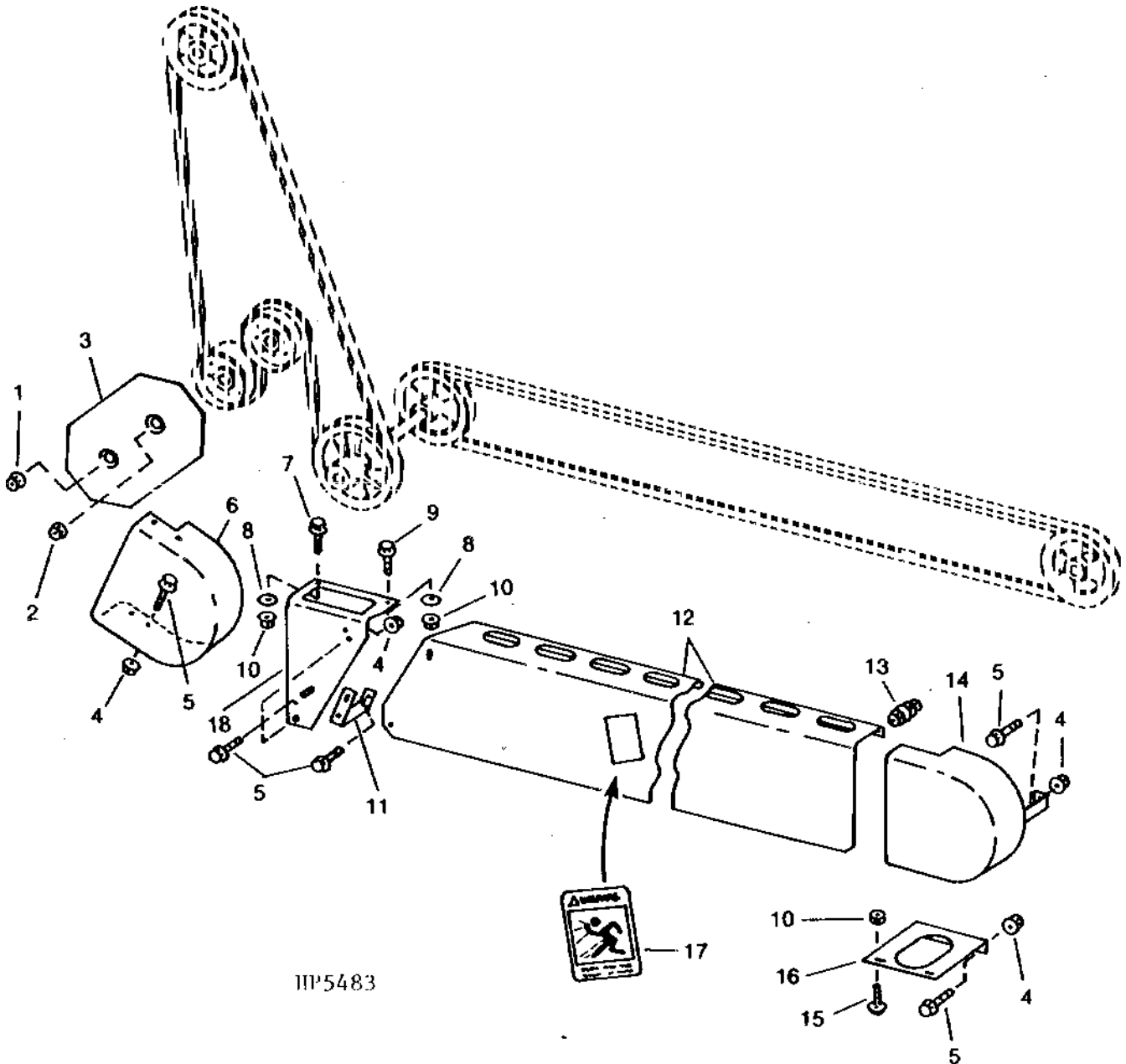
DRIVES

STRAW CHOPPER DRIVE SHIELDS - CONTINUED
(-640200)

KEY	PART NO.	PART NAME	QTY	SERIAL NO.	S H 9 5 0 0 0 0	REMARKS
1	H132902	CAP	1		X X	
2	19M7865	SCREW	AR		X X	M8 X 16
3	14M7273	NUT	AR		X X	M8
4	24M7238	WASHER	AR		X X	8.700 X 17 X 2 MM
5	19M7866	SCREW	AR		X X	M8 X 20
6	H134678	SUPPORT	1	-640200	X	
	H141059	SUPPORT	1		X X	
	H141060	BRACKET	1		X X	
7	19M7867	SCREW	AR		X X	M8 X 25
8	H134647	SHIELD	1	-640200	X	
	H155295	SHIELD	1		X X	(SUB FOR H141055)
9	21M7236	WING SCREW	1		X X	M10 X 16
10	AH130592	CAP	1		X X	
11	14M7298	FLANGE NUT	AR		X X	M8
12	H134652	BRACKET	1		X X	
13	03M7183	BOLT	4		X X	M8 X 16

9F7

STRAW CHOPPER DRIVE SHIELDS (640201-)
HP5483 -UN-01JAN94



HP5483

9F8

DRIVES

STRAW CHOPPER DRIVE SHIELDS (640301-) - CONTINUED

KEY	PART NO.	PART NAME	QTY	SERIAL NO.	S H 9 5 0 0	REMARKS
1	14M7291	FLANGE NUT	1	-670697	X X	M16
	14M7260	NUT	1	670698-	X X	M16
2	14M7299	FLANGE NUT	1		X X	M12
3	AH147353	SHIELD	1	31JAN6-	X X	(SUB AH167132) (SUB FOR AH135996)
	AH167132	SHIELD	1		X X	
4	14M7298	FLANGE NUT	10		X X	M8
5	19M7865	SCREW	11		X X	M8 X 16
6	H132902	CAP	1		X X	
7	19M7866	SCREW	1		X X	M8 X 20
8	24M7238	WASHER	2		X X	8.700 X 17 X 2 MM
9	19M7867	SCREW	1		X X	M8 X 25
10	14M7273	NUT	2		X X	M8
11	H141060	BRACKET	1		X X	
12	H155295	SHIELD	1		X X	(SUB FOR H141055)
13	19M7865	SCREW	5		X X	M8 X 16
	24M7207	WASHER	5		X X	8.400 X 24 X 2 MM
	14M7273	NUT	5		X X	M8
14	AH130592	CAP	1		X X	
15	03M7183	BOLT	2		X X	M8 X 16
16	H134652	BRACKET	1		X X	
17	H138989	LABEL	1	-660200	X X	(SUB H149096) "PROJECTILE WARNING"
	H149096	LABEL	1		X X	"PROJECTILE WARNING" ON R.H. REAR HOOD
18	H141059	SUPPORT	1		X X	
..	R57003	TAPE	1	-661350	X X	(SUB TY15709)

MEMORANDA

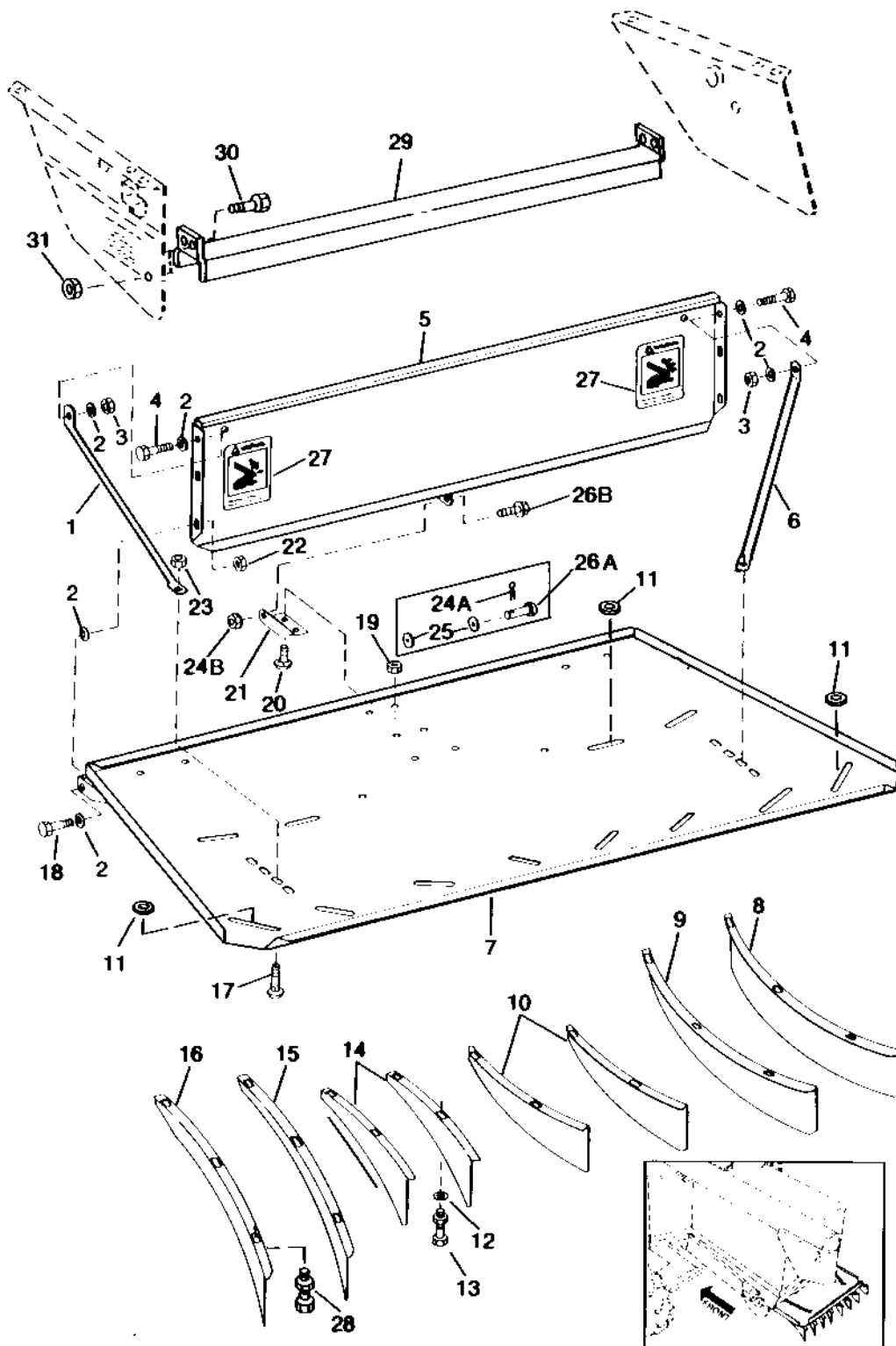
MEMORANDA

9F12

RESIDUE DISPOSAL

STRAW CHOPPER DECK, SUPPORTS AND FINNS

HP5871 -UN-14OCT94



HP5871

9F13

RESIDUE DISPOSAL

STRAW CHOPPER DECK, SUPPORTS AND FINS - CONTINUED

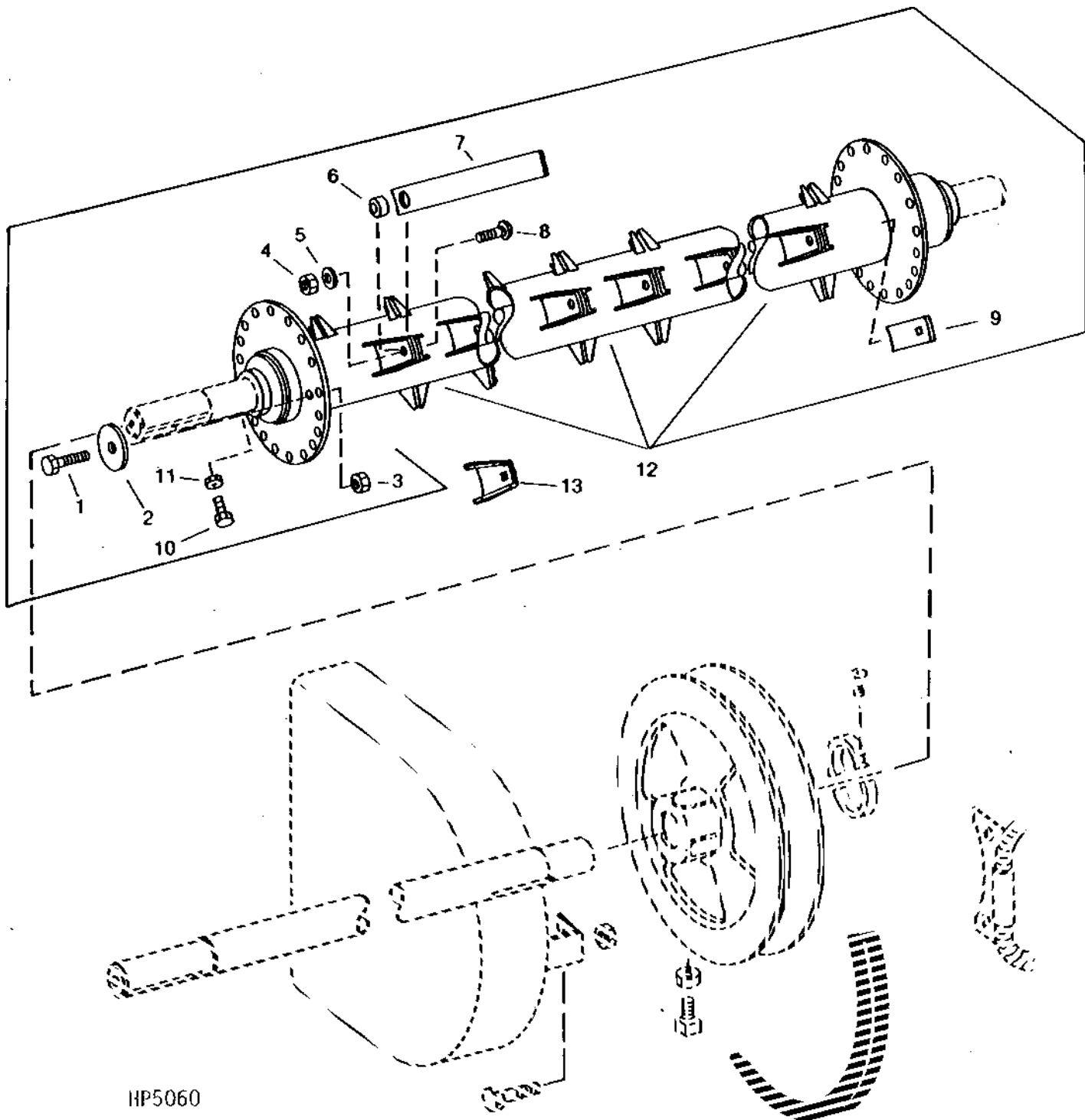
KEY	PART NO.	PART NAME	QTY	SERIAL NO.	S H 9 5 0 0	REMARKS
1	H126335	PIPE	1		X X	
	H151182	PIPE	1	660201-	X X	FOR WIDE SPREAD STRAW CHOPPER
2	H126334	LOCK WASHER	2		X X	11.230 X 22.230 X 1.140 MM (0.442" X 0.875" X 0.045")
3	14M7400	LOCK NUT	2		X X	M10
4	19M7835	SCREW	2		X X	M10 X 35
5	AH135721	SHEET	1	-640200	X	(SUB AH138891)
	AH138891	SHEET	1	-645200	X X	(SUB AH139791)
	AH139791	SHEET	1		X X	
	AH144478	SHEET	1	660201-	X X	FOR WIDE SPREAD STRAW CHOPPER
6	H126336	PIPE	1		X X	
	H151181	PIPE	1	660201-	X X	FOR WIDE SPREAD STRAW CHOPPER
7	AH125999	SUPPORT	1	-650311	X X	(SUB AH137792)
	AH137792	SUPPORT	1		X X	
8	H130949	VANE	1		X X	
	H150401	DEFLECTOR	1	660201-	X X	FOR WIDE SPREAD STRAW COPPER
9	H114535	VANE	1		X X	
	H150401	DEFLECTOR	1	660201-	X X	FOR WIDE SPREAD STRAW CHOPPER
10	H114537	VANE	2		X X	
	H150403	DEFLECTOR	1	650201-	X X	FOR WIDE SPREAD CHOPPER
11	H128083	WASHER	4	650201-	X X	9 X 50.800 X 5 MM
12	24M7207	WASHER	1		X X	8.400 X 24 X 2 MM
13	03M7183	BOLT	2		X X	M8 X 16
	E64256	LOCK NUT	2		X X	M8
14	H114538	VANE	2		X X	
	H150404	DEFLECTOR	2	650201-	X X	FOR WIDE SPREAD STRAW CHOPPER
15	H114536	VANE	1		X X	
	H150402	DEFLECTOR	1	660201-	X X	FOR WIDE SPREAD STRAW CHOPPER
16	H130948	VANE	1		X X	
	H150402	DEFLECTOR	1	660201-	X X	FOR WIDE SPREAD STRAW CHOPPER
17	03M7191	BOLT	2		X X	M10 X 25
18	19M7167	CAP SCREW	2		X X	M10 X 25
19	14M7298	FLANGE NUT	2		X X	M8
20	03M7184	BOLT	2		X X	M8 X 20
21	H128124	BRACKET	1		X X	
22	14M7400	LOCK NUT	1		X X	M10
23	14M7296	FLANGE NUT	1		X X	M10
24A	11M7009	COTTER PIN	1	-651087	X X	2 X 16 MM
24B	14M7396	LOCK NUT	1	651088-	X X	
25	24M7238	WASHER	2	-651087	X X	8.700 X 17 X 2 MM
26A	45M7044	PIN	1	-651087	X X	8 X 16 MM
26B	19M7866	SCREW	1	651088-	X X	M8 X 20
27	H144288	DECAL	2		X X	(SUB H149102) "WARNING" CHOPPER ROTATES IN WINDROW POSITION
	H149102	DECAL	2		X X	"WARNING" CHOPPER POSTION WIDE SPREAD CHOPPER - LABEL LOCATED ON REAR OF COMBINE HOOD
28	03M7184	BOLT	4	650200-	X X	M8 X 20, USE WITH H128083 WASHER
	14M7396	LOCK NUT	4	650200-	X X	M8
29	H150408	SHEET	1	660201-	X X	FOR WIDE SPREAD STRAW CHOPPER
	H157109	SHEET	1		X X	FINE CUT CHOPPER
30	19M7866	SCREW	2	660201-	X X	M8 X 20, FOR WIDE SPREAD STRAW CHOPPER
31	14M7298	FLANGE NUT	2	660201-	X X	M8, FOR WIDE SPREAD STRAW CHOPPER
..	BH81040	COMPLETE GOODS/SHIP. BUNDLE	1		X X	WIDE SPREAD STRAW CHOPPER

9F14

RESIDUE DISPOSAL

STRAW CHOPPER ROTOR AND SHEAVE

9500(-650373) SH9500(-650200)
HP5060 -UN-01JAN94



HP5060

9F15

RESIDUE DISPOSAL

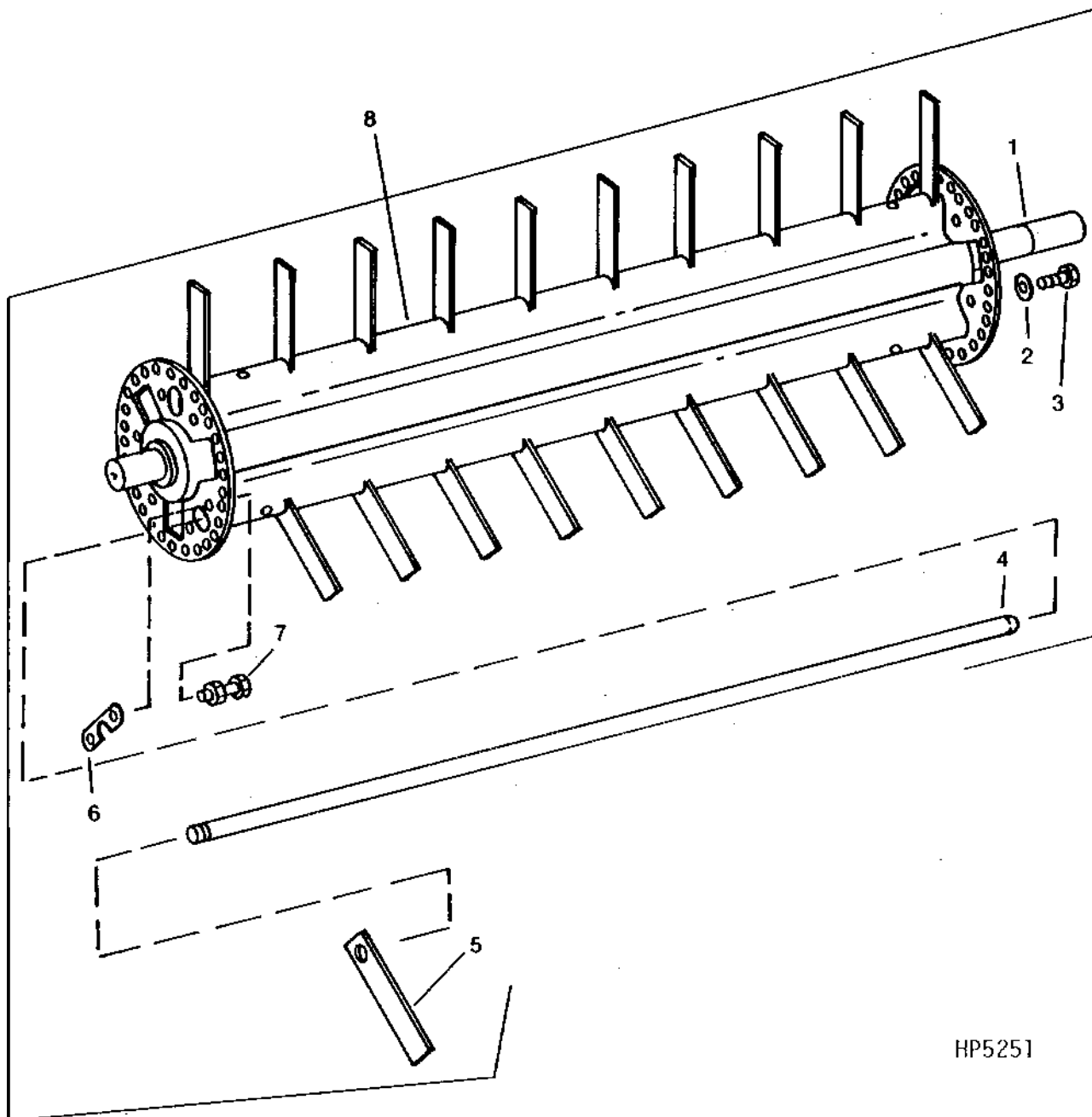
STRAW CHOPPER ROTOR AND SHEAVE - CONTINUED
 9500(-650373) SH9500(-650200)

KEY	PART NO.	PART NAME	QTY	SERIAL NO.	S H 9 5 0 0 0 0	REMARKS
1	H128360	CAP SCREW	2		X X	
	H128359	CAP SCREW	1		X X	5/16" X 1-1/2"
	H128358	CAP SCREW	2		X X	5/16" X 1-1/4"
	H128357	CAP SCREW	3		X X	5/16" X 1"
2	H128084	WASHER	6		X X	11 X 76.200 X 5 MM (0.433" X 3" X 0.197")
	H128083	WASHER	4		X X	0.354" X 2" X 0.197"
	H128082	WASHER	6		X X	0.354" X 1.374" X 0.118"
	H128081	WASHER	4		X X	0.354" X 1.252" X 0.059"
	H128080	WASHER	4		X X	0.354" X 0.752" X 0.059"
3	H129201	LOCK NUT	2		X X	9.525 MM (3/8")
	H143332	LOCK NUT	6		X X	7.925 MM (5/16") 5/16" X 18 UNC
4	H32147	LOCK NUT	30		X X	9.525 MM (3/8")
5	R42729	WASHER	30		X X	10.312 X 20.980 X 2.286 MM (13/32" X 0.826" X 0.090")
6	H88783	WASHER	30		X X	9.906 X 19.050 X 7.239 MM (0.390" X 3/4" X 0.285")
7	H88809	STRAP	30		X X	
8	03H2305	BOLT	30		X X	3/8" X 1-1/4"
9	H88807	GUSSET	1		X X	(SUB AH136017)
10	22H748	SET SCREW	1	632201-	X X	1/2" X 1"
11	14H826	NUT	1	632201-	X X	1/2"
12	AH143426	ROTOR	1		X X	(SUB AH165768) (SUB FOR AH128250, AH136017, AH139290, AH140010 OR AH141750)
	AH165768	ROTOR	1		X X	(SUB AH168947)
	AH168947	ROTOR	1		X X	
13	H132998	BRACKET	1	632201-	X X	

9F16

RESIDUE DISPOSAL

TRI ROTOR STRAW CHOPPER
9500(650734-655996) SH9500(650201-655200)
HP5251 -UN-01JAN94



HP5251

9F17

RESIDUE DISPOSAL

TRI ROTOR STRAW CHOPPER - CONTINUED
 9500(650734-655996) SH9500(650201-655200)

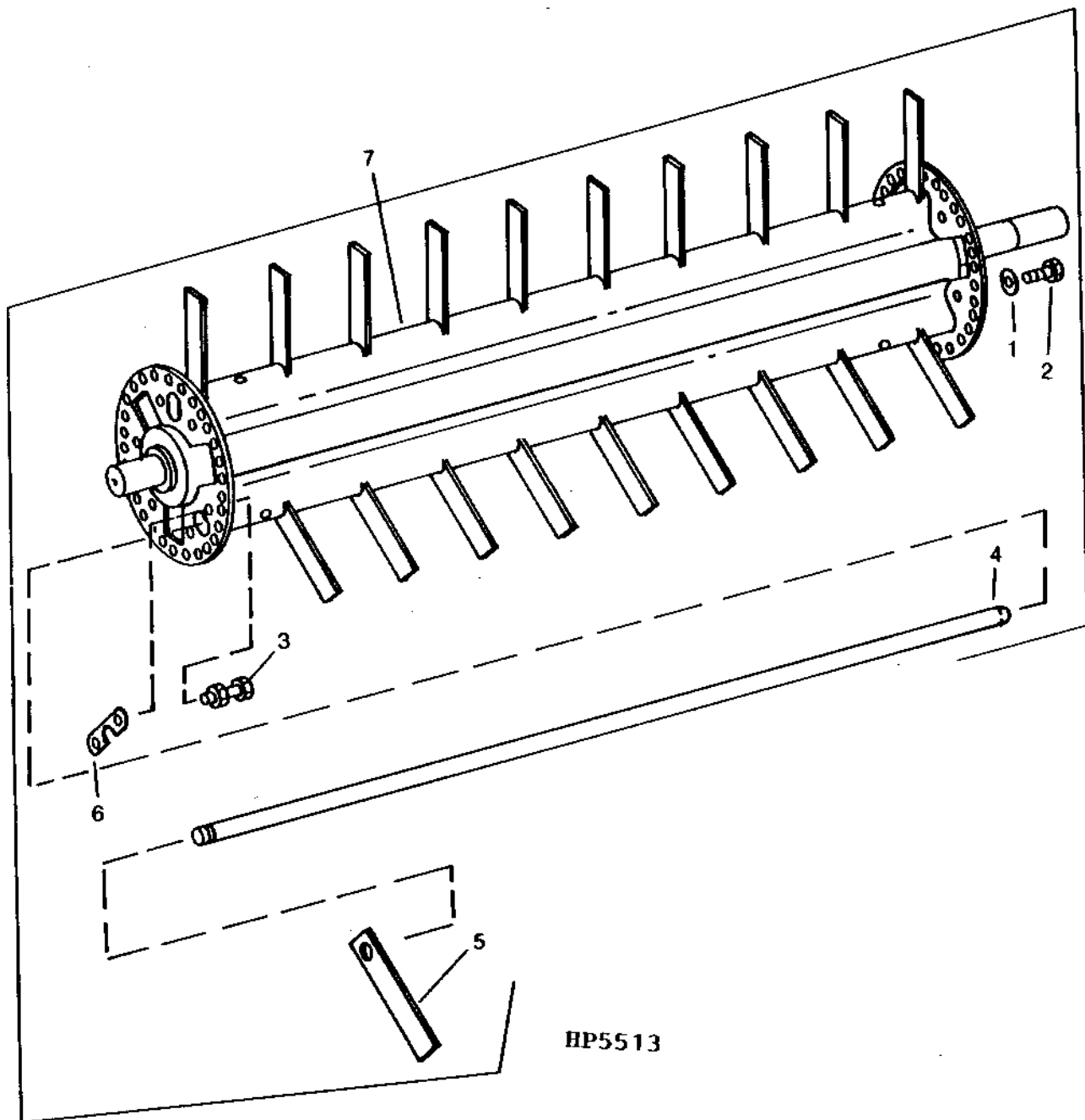
KEY	PART NO.	PART NAME	QTY	SERIAL NO.	S H 9 9 5 5 0 0 0 0	REMARKS
1	H145275	SHAFT	1		X X	
2	H128080	WASHER	AR		X X	9 X 19 X 1.5
	H128081	WASHER	AR		X X	9 X 31.8 X 1.5
	H128082	WASHER	AR		X X	9X 34.9 X 3
	H128083	WASHER	AR		X X	9 X 50.8 X 5
	H147304	WASHER	AR		X X	9 X 34.9 X 5
3	H147302	BOLT	AR		X X	3/4"
	H128357	CAP SCREW	AR		X X	1"
	H128358	CAP SCREW	AR		X X	1-1/4"
	H128359	CAP SCREW	AR		X X	1-1/2"
4	H139600	PIN	3		X X	
5	AH124635	BLADE	1		X X	SET OF 6 BLADES
	AH128359	BLADE	1		X X	SET OF 36 BLADES
6	H146414	RETAINER	3		X X	
7	H128357	CAP SCREW	AR		X X	
	H143332	LOCK NUT	6	-650200	X X	
	H143332	LOCK NUT	13	650201-	X X	
8	AH140010	ROTOR	1	-650200	X X	(SUB AH141750)
	AH141750	ROTOR	1	-655996	X X	(SUB AH143426)
	AH143426	ROTOR	1		X X	

9F18

RESIDUE DISPOSAL

TRI ROTOR STRAW CHOPPER

(655997-)
HP5513 -UN-01JAN94



HP5513

9F19

RESIDUE DISPOSAL

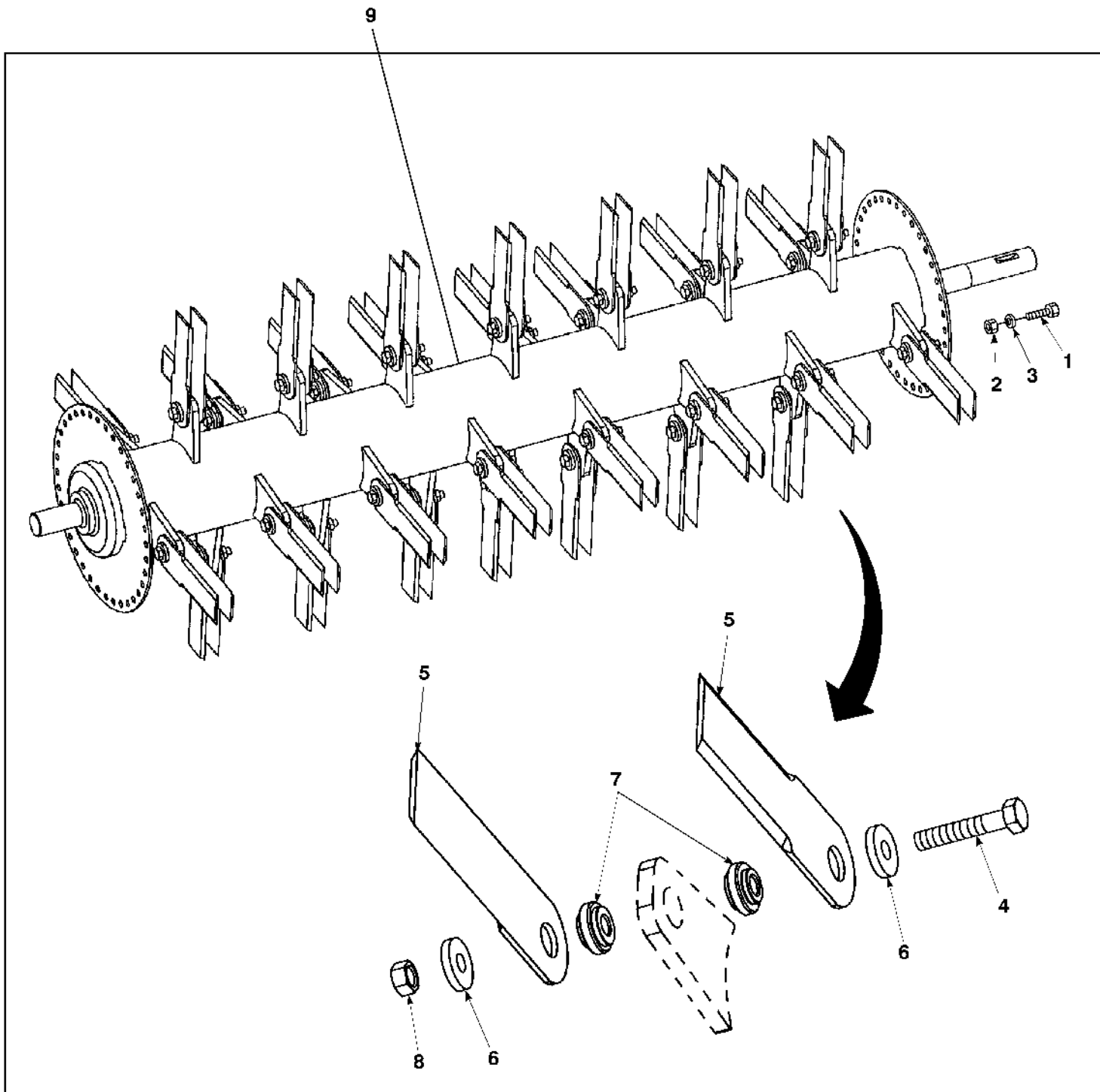
TRI ROTOR STRAW CHOPPER - CONTINUED
(655997-)

KEY	PART NO.	PART NAME	QTY	SERIAL NO.	S H 9 9 5 5 0 0 0 0	REMARKS
1	H128080	WASHER	AR	X X	9 X 19 X 1.5	
	H128081	WASHER	AR	X X	9 X 31.8 X 1.5	
	H128082	WASHER	AR	X X	9X 34.9 X 3	
2	H128083	WASHER	AR	X X	9 X 50.8 X 5	
	H147304	WASHER	AR	X X	9 X 34.9 X 5	
	H147302	BOLT	AR	X X	3/4"	
3	H128357	CAP SCREW	AR	X X	1"	
	H128358	CAP SCREW	AR	X X	1-1/4"	
	H128359	CAP SCREW	AR	X X	1-1/2"	
4	H128357	CAP SCREW	AR	X X		
	H143332	LOCK NUT	13	X X		
5	H139600	PIN	3	X X		
5	AH124635	BLADE	1	X X	SET OF 6 BLADES	
	AH128359	BLADE	1	X X	SET OF 36 BLADES	
6	H146414	RETAINER	3	X X		
7	AH143426	ROTOR	1	X X		

9F20

RESIDUE DISPOSAL

FINE CUT ROTOR STRAW CHOPPER (STRAIGHT NARROW) (670492-)
HP6730 -UN-22MAY97



HP6730

9F21

RESIDUE DISPOSAL

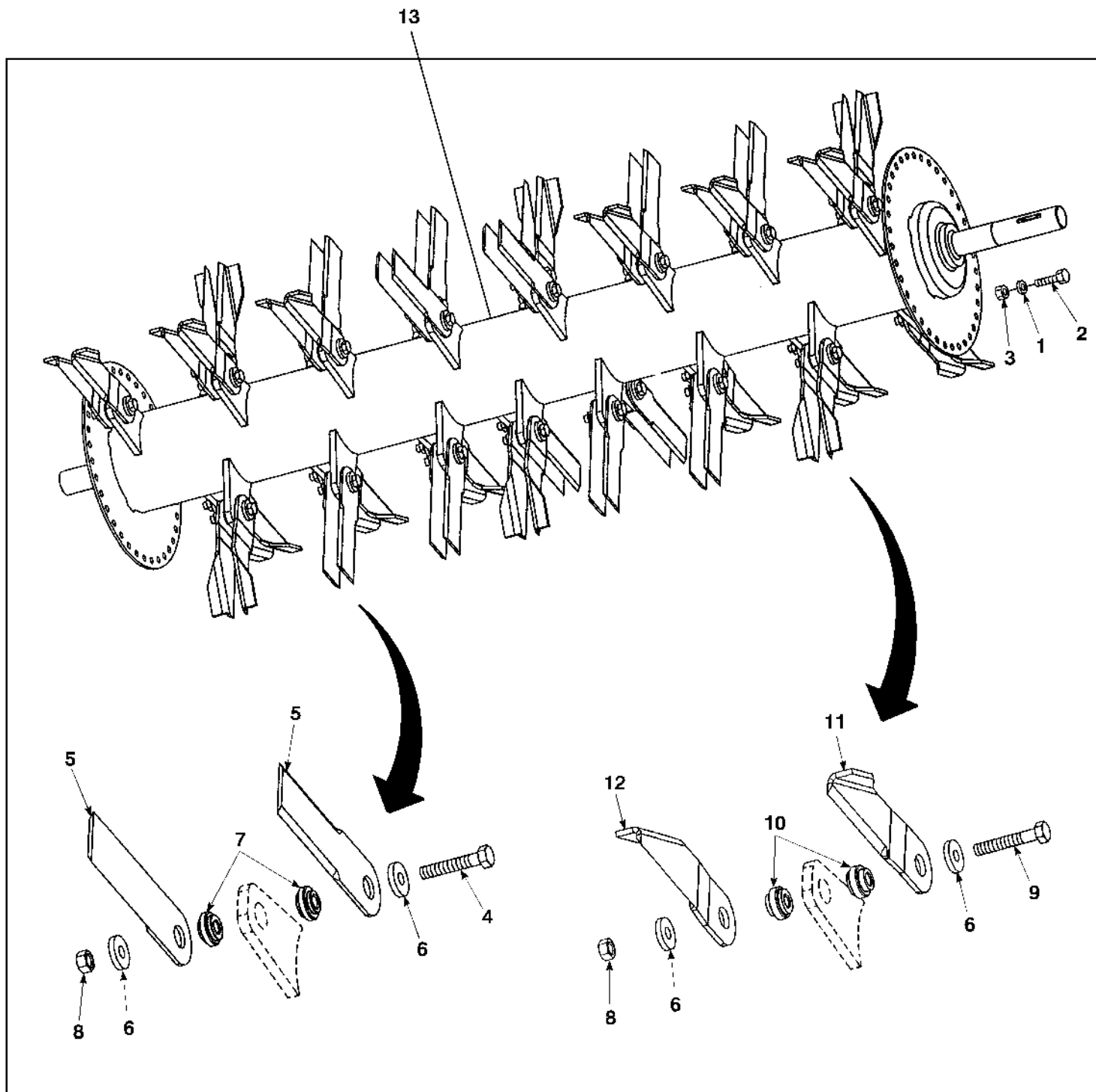
FINE CUT ROTOR STRAW CHOPPER (STRAIGHT NARROW) (670492-) - CONTINUED

KEY	PART NO.	PART NAME	QTY	SERIAL NO.	S H 9 5 0 0	REMARKS
1	H128080	WASHER	AR		X X	9 X 19 X 1.5
	H128081	WASHER	AR		X X	9 X 31.8 X 1.5
	H128082	WASHER	AR		X X	9X 34.9 X 3
2	H128083	WASHER	AR		X X	9 X 50.8 X 5
	H147304	WASHER	AR		X X	9 X 34.9 X 5
	H147302	BOLT	AR		X X	3/4"
3	H128357	CAP SCREW	AR		X X	1"
	H128358	CAP SCREW	AR		X X	1-1/4"
	H128359	CAP SCREW	AR		X X	1-1/2"
4	H143332	LOCK NUT	AR		X X	5/16"
5	19M7935	CAP SCREW	30		X X	M10 X 55
6	H156098	BLADE	1		X X	SET OF 6 BLADES
7	H156101	WASHER	60		X X	
8	H156100	BUSHING	60		X X	
9	A51212	LOCK NUT	30		X X	M10
9	AH151537	ROTOR	1		X X	

9F22

RESIDUE DISPOSAL

FINE CUT ROTOR STRAW CHOPPER (PADDLED NARROW) (670492-)
HP6731 -UN-22MAY97



HP6731

9F23

RESIDUE DISPOSAL

FINE CUT ROTOR STRAW CHOPPER (PADDLED NARROW) (670492-) - CONTINUED

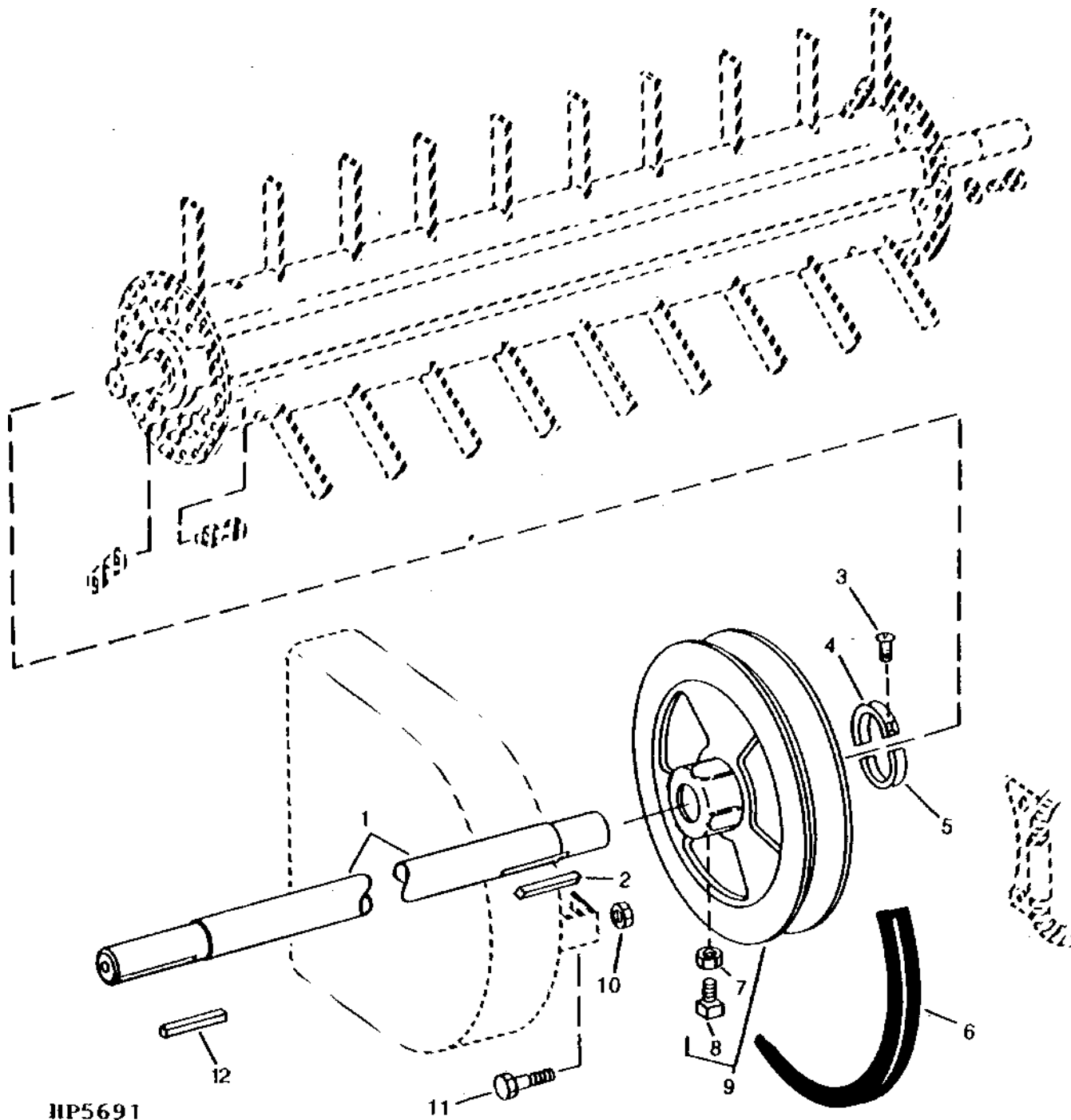
KEY	PART NO.	PART NAME	QTY	SERIAL NO.	S H 9 5 0 0	REMARKS
1	H128080	WASHER	AR		X X	9 X 19 X 1.5
	H128081	WASHER	AR		X X	9 X 31.8 X 1.5
	H128082	WASHER	AR		X X	9X 34.9 X 3
	H128083	WASHER	AR		X X	9 X 50.8 X 5
	H147304	WASHER	AR		X X	9 X 34.9 X 5
2	H147302	BOLT	AR		X X	3/4"
	H128357	CAP SCREW	AR		X X	1"
	H128358	CAP SCREW	AR		X X	1-1/4"
	H128359	CAP SCREW	AR		X X	1-1/2"
3	H143332	LOCK NUT	AR		X X	5/16"
4	19M7935	CAP SCREW	12		X X	M10 X 55
5	H156098	BLADE	24		X X	STRAIGHT
6	H156101	WASHER	60		X X	
7	H156100	BUSHING	24		X X	
8	A51212	LOCK NUT	30		X X	M10
9	19M8499	CAP SCREW	18		X X	M10 X 60
10	H158364	BUSHING	36	-30MAR8	X X	(SERVICE ONLY)
	H158364	BUSHING	60	30MAR8-	X X	
11	H158405	BLADE	18	-30MAR8	X X	PADDLED (SERVICE USE AH160606)
12	H158404	BLADE	18	-30MAR8	X X	PADDLED (SERVICE USE AH160606)
13	AH151539	ROTOR	1	-30MAR8	X X	
	AH160426	ROTOR	1	30MAR8-	X X	

9F24

RESIDUE DISPOSAL

STRAW CHOPPER ROTOR AND SHEAVE

HP5691 -UN-01JAN94



HP5691

9F25

RESIDUE DISPOSAL

STRAW CHOPPER, ROTOR AND SHEAVE - CONTINUED

KEY	PART NO.	PART NAME	QTY	SERIAL NO.	S H 9 5 0 0	REMARKS
1	H141580	DRIVE SHAFT	1	632201-640200	X	
	H145275	SHAFT	1	640201-	X X	
2	H64374	SHAFT KEY	2	632201-	X X	(SUB H64375) 6 X 304 MM (1/4 X 12 IN.)
3	21H1419	SCREW	1		X X	0.190" X 1"
4	H104794	ACTUATOR	1		X X	
5	H104793	ACTUATOR	1		X X	
6	H125381	BELT	1		X X	
	P47885	BELT	1		X X	(SUB H23950)
	H23950	BELT	1		X X	
7	14M7152	NUT	1		X X	M10
8	H138435	SET SCREW	2		X X	
9	AH119770	SHEAVE	2		X X	
10	14M7298	FLANGE NUT	1		X X	M8
11	19M7865	SCREW	1		X X	M8 X 16
12	H64375	SHAFT KEY	1		X X	7 X 304 MM (5/16 X 12 IN.)

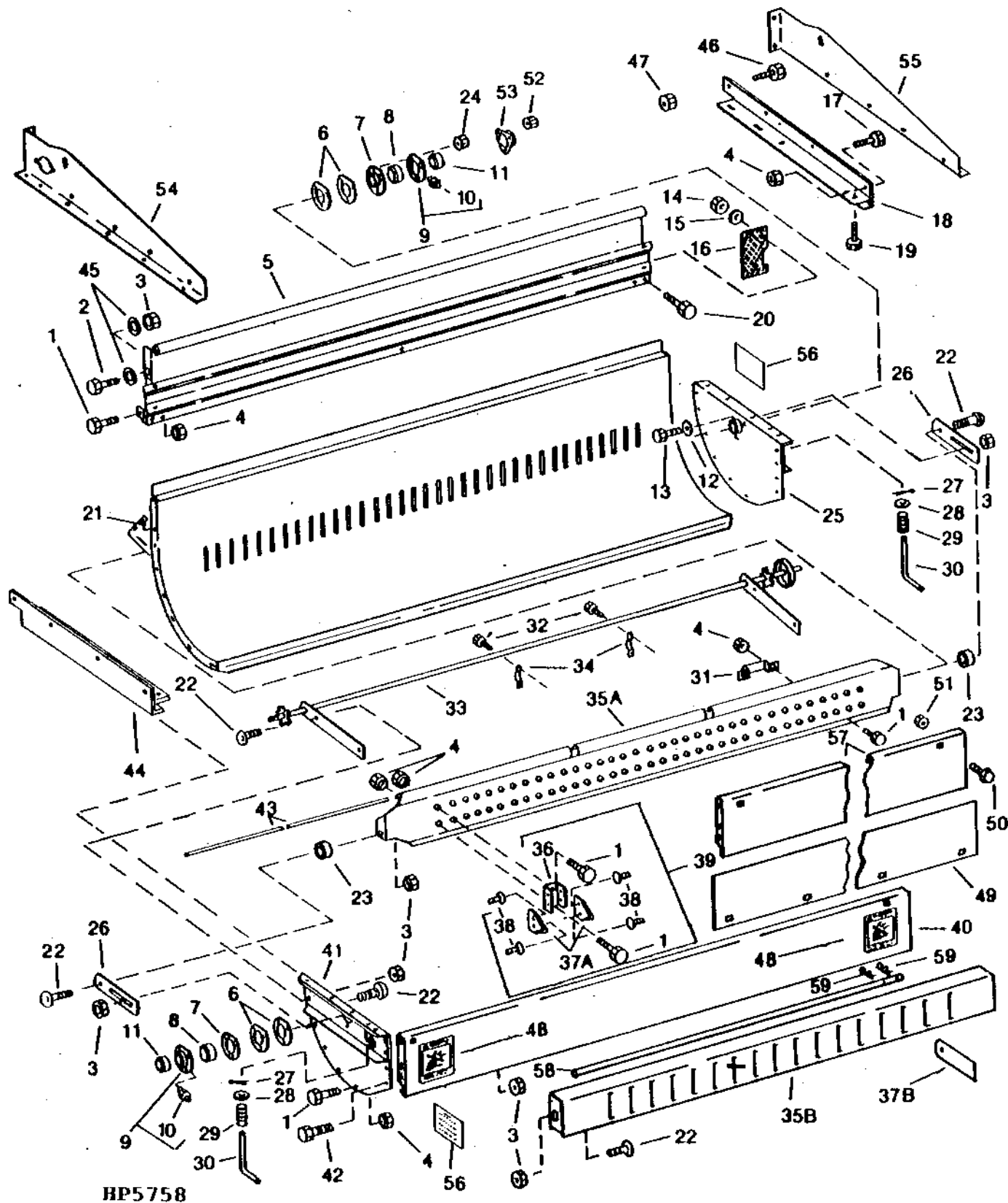
9G1

RESIDUE DISPOSAL

STRAW CHOPPER HOUSING AND KNIFEBANK

(-655200)

HP5758 -UN-01JAN94



HP5758

STRAW CHOPPER HOUSING AND KNIFEBANK - CONTINUED

(-655200)

S
H
9
5
0
0
0
0

KEY	PART NO.	PART NAME	QTY	SERIAL NO.		REMARKS
1	19M7866	SCREW	AR		X	M8 X 20
2	19M7784	SCREW	AR		X	M10 X 20
3	14M7296	FLANGE NUT	AR		X	M10
4	14M7298	FLANGE NUT	AR		X	M8
5	AH122918	EXTENSION	1	-640200	X	
6	H128709	WASHER	4	-640200	X	
7	H131161	PRESSED FLANGED HOUSING	2	-640200	X	
8	JD10387	BALL BEARING	2	-640200	X	
	AH139260	BEARING	2	640201-	X	BEARING IS PART OF CAST HOUSING
9	AH126221	PRESSED FLANGED HOUSING	2	-640200	X	
10	JD7846	LUBRICATION FITTING	2		X	
11	JD8576	ECCENTRIC LOCKING COLLAR	2		X	
12	24M7239	WASHER	6		X	10.700 X 21 X 2.500 MM
13	19M7835	SCREW	6		X	M10 X 35
	19M7805	SCREW	3	640201-	X	M10 X 45
14	14M7396	LOCK NUT	2	-640200	X	M8
15	24M7207	WASHER	2	-640200	X	8.400 X 24 X 2 MM
16	H131612	GUARD	2		X	
17	19M7867	SCREW	AR		X	M8 X 25
18	AH130483	ANGLE	1	-640200	X	RH
	AH139679	SUPPORT	1		X	(SUB FOR AH138628)
19	19M7786	SCREW	AR		X	M10 X 30
20	19M7407	CAP SCREW	2	-640200	X	M8 X 25
21	AH123012	SHEET	1	-640200	X	(SUB AH143048, AH140129, H149992, (29) H142141, (2) 11M7059, (2) 03M7191 AND (2) 14M7296)
	AH143048	SHEET	1		X	
	AH138155	SHEET	1		X	(SUB AH143048, H149992, (29) H142141, (2) 11M7059, (2) 03M7191 AND (2) 14M7296) (SUB FOR AH136638)
22	03M7191	BOLT	AR		X	M10 X 25
23	28H1518	WASHER	2	-640949	X	0.493" X 0.675" X 5/16"
24	14M7517	LOCK NUT	1		X	M10
25	AH138157	SHEET	1		X	(SUB FOR AH135462) (SUB AH165936) R.H.
	AH165936	SHEET	1		X	R.H.
26	H84992	STRAP	2	-640950	X	
27	11M7059	COTTER PIN	2		X	3.200 X 20 MM
28	24H1341	WASHER	2		X	17/32" X 15/16" X 0.060"
29	B28970	SPRING	2		X	
30	H136179	PIN	2		X	
31	H85184	HANDLE	2		X	
32	03M7184	BOLT	4		X	M8 X 20
33	AH135837	DRIVE SPROCKET	1		X	(SUB FOR AH121493)
	H141388	SHIELD	1		X	
34	H84990	CLAMP	4		X	
35A	H128114	SUPPORT	1	-640200	X	
35B	AH140129	CHANNEL	1		X	(INCLUDES B27835) (SUB FOR AH135549)
	B27835	BUSHING	1	640950-	X	
36	H88800	CHANNEL	AR	-640200	X	DOUBLE BLADE BRACKET
	P48067	BRACKET	2	-640200	X	SINGLE BLADE BRACKET
37A	E76372	SECTION	AR	-640949	X	
37B	H142141	KNIFE	29	640950-	X	
38	Z5086H	RIVET	AR	-640200	X	
39	AH89918	BRACKET	AR	-640200	X	DOUBLE BLADE ASSY.
	AP23601	BRACKET	1	-640200	X	SINGLE BLADE ASSEMBLY

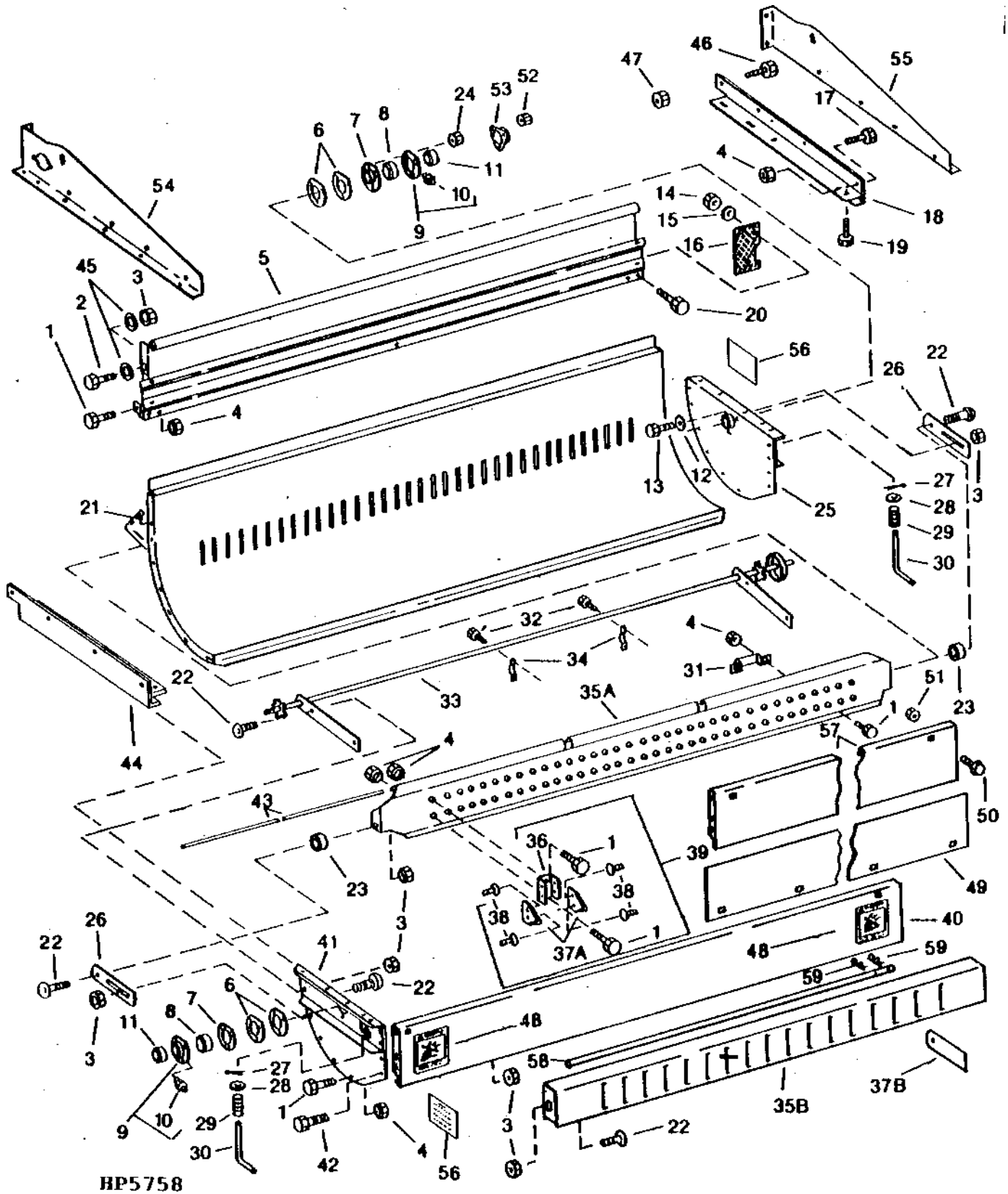
9G3

RESIDUE DISPOSAL

STRAW CHOPPER HOUSING AND KNIFEBANK

(-655200)

HP5758 -UN-01JAN94



HP5758

STRAW CHOPPER HOUSING AND KNIFE BANK - CONTINUED

(-655200)

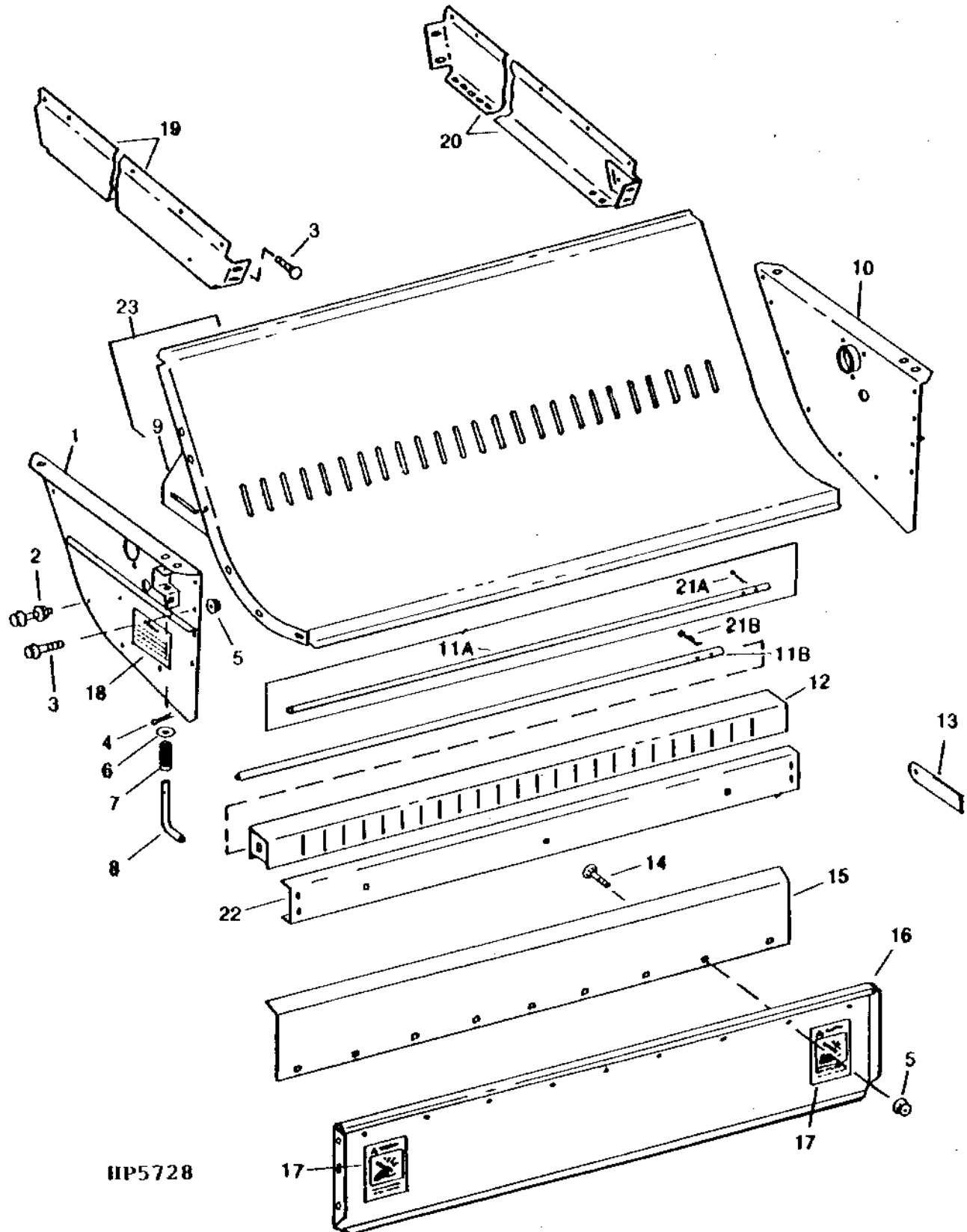
KEY	PART NO.	PART NAME	QTY	SERIAL NO.	S H 9 5 0 0 0 0	REMARKS
40	AH139791	SHEET	1		X	(SUB FOR AH135721 OR AH138891)
	AH144478	SHEET	1	660201-	X	FOR WIDE SPREAD STRAW CHOPPER
41	AH131865	SHEET	1	-640200	X	
	AH138156	SHEET	1		X	(SUB FOR AH135461) (SUB AH165937) L.H.
	AH165937	SHEET	1		X	L.H.
42	19M7785	SCREW	AR		X	M10 X 25
43	H99025	DOWEL PIN	1	-640950	X	(SUB FOR H84991)
44	AH130482	ANGLE	1	-640200	X	LH
	AH139680	SUPPORT	1	640681-	X	(SUB FOR AH138629) LH
45	H126334	LOCK WASHER	4		X	
46	19M7810	SCREW	4	-642858	X	M10 X 80
	19M7809	SCREW	4	642859-	X	M10 X 70
47	14M7400	LOCK NUT	4		X	M10
48	H144288	DECAL	2	637529-	X	(SUB H149102) "WARNING" CHOPPER POSITION
49	H146308	SHIELD	1		X	(SUB FOR H144299 OR H145854)
50	03M7184	BOLT	9	640201-	X	
51	14M7298	FLANGE NUT	9	640201-	X	
52	14M7274	NUT	3	640201-	X	
53	H145319	COVER	1	640201-	X	
54	SUPPORT	1	640201-	X	L H
55	SUPPORT	1	640201-	X	R H
56	H145857	LABEL	2	-29SEP7	X	"WARNING" CHOPPER POSITION
	H165247	LABEL	2	29SEP7-	X	
	H145858	LABEL	1		X	"WARNING" CHOPPER POSITION (FRENCH)
57	H145778	RAIL	2	640201-	X	FRONT AND REAR
58	H149992	PIN	1		X	(SUB FOR H141138)
59	J16931	SPRING LOCKING PIN	2	640950-641948	X	
	11M7059	COTTER PIN	2	641949-	X	
..	BH80154	COMPLETE GOODS/SHIP. BUNDLE	1		X	CHOPPER WITH DRIVES

9G5

RESIDUE DISPOSAL

STRAW CHOPPER HOUSING AND KNIFEBANK

(655201-)
HP5728 -UN-01JAN94



HP5728

9G6

RESIDUE DISPOSAL

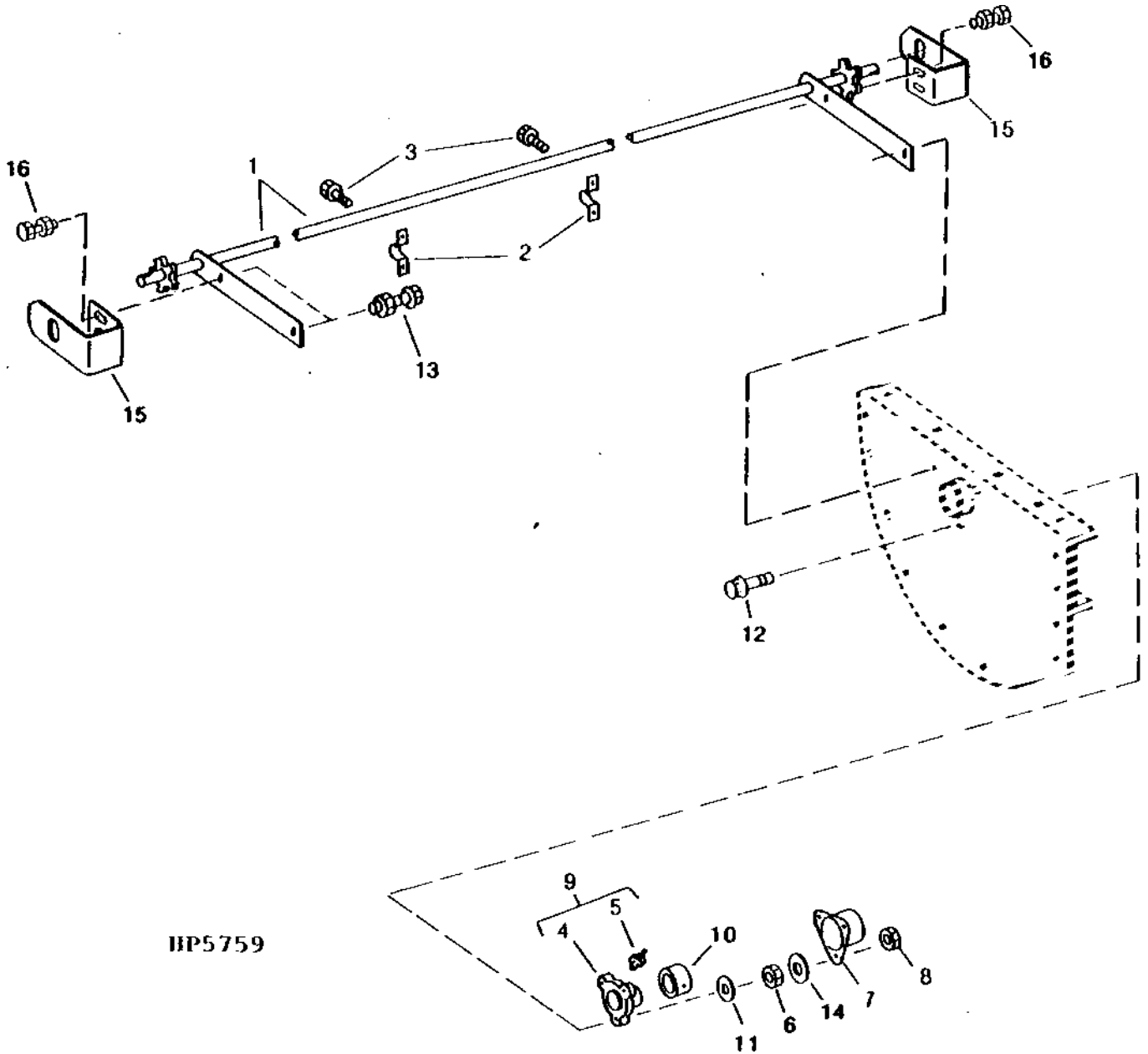
STRAW CHOPPER HOUSING AND KNIFEBANK - CONTINUED
(655201-)

KEY	PART NO.	PART NAME	QTY	SERIAL NO.	S H 9 5 0 0 0 0	REMARKS
1	AH138156	SHEET	1		X X	(SUB AH165937) L.H.
	AH165937	SHEET	1		X X	
2	19M7866	SCREW	AR		X X	M8 X 20
3	19M7785	SCREW	4		X X	M10 X 25
4	11M7059	COTTER PIN	2		X X	3.200 X 20 MM
5	14M7298	FLANGE NUT	AR		X X	M8
6	24H1341	WASHER	2		X X	17/32" X 15/16" X 0.060"
7	B28970	SPRING	2		X X	
8	H136179	PIN	2		X X	
9	H149026	SUPPORT	1		X X	R.H.
	H149027	SUPPORT	1		X X	L.H.
10	AH138157	SHEET	1		X X	(SUB AH165936) R.H.
	AH165936	SHEET	1		X X	R.H.
11A	H141138	PIN	1	-651404	X X	(SUB H149992)
11B	H149992	PIN	1	651405-	X X	
12	AH140129	CHANNEL	1		X X	
13	H142141	KNIFE	29		X X	
	AH149677	KNIFE	1	670698-	X X	FINE CUT CHOPPER
14	19M7866	SCREW	AR		X X	M8 X 20
15	H146308	SHIELD	1		X X	
16	AH139791	SHEET	1		X X	
17	H149102	DECAL	2		X	(SUB FOR H144288) "WARNING" CHOPPER POSITION
18	H145857	LABEL	1	-29SEP7	X X	"IMPORTANT" CHOPPER POSITION
	H165247	LABEL	2	29SEP7-	X X	CHOPPER POSITION - ON EACH SIDE
	H145858	LABEL	1		X X	"WARNING" CHOPPER POSITION (FRENCH)
	H157290	LABEL	2	671194-	X X	UKRAINE
	H157291	LABEL	2	671194-	X X	RUSSIAN
19	AH139680	SUPPORT	1		X X	L.H.
20	AH139679	SUPPORT	1		X X	R.H.
21A	11M7059	COTTER PIN	2	-651404	X X	3.200 X 20 MM
21B	H114001	QUICK LOCK PIN	2	651405-	X X	
22	H145778	RAIL	1		X X	
23	AH143048	SHEET	1		X X	
..	BH80127	COMPLETE GOODS/SHIP. BUNDLE	1		X X	CHOPPER WITH DRIVES

9G7

RESIDUE DISPOSAL

STRAW CHOPPER DRIVE SPROCKETS (655201-)
HP5759 -UN-01JAN94

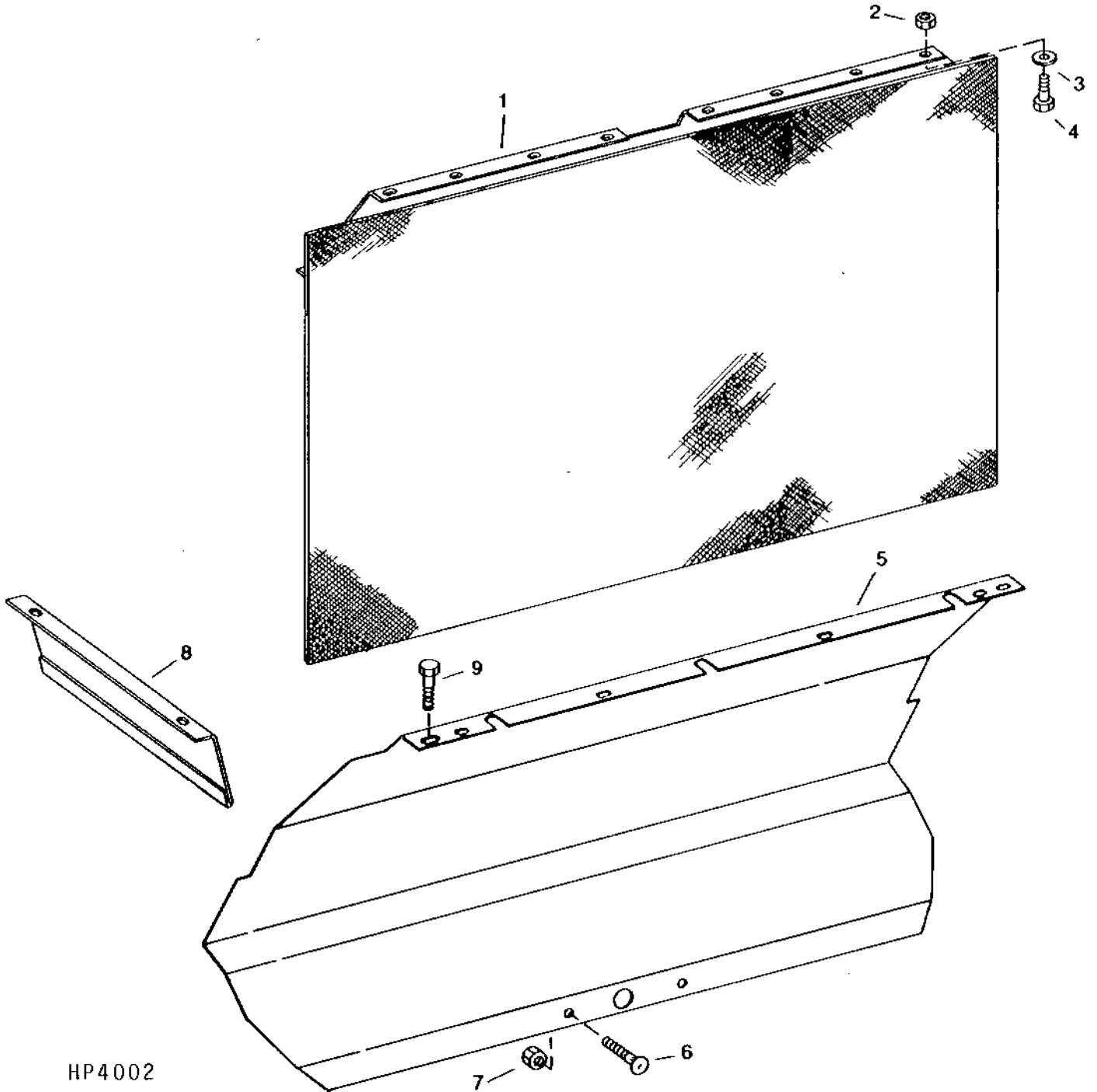


HP5759

STRAW CHOPPER DRIVE SPROCKETS (655201-) - CONTINUED

KEY	PART NO.	PART NAME	QTY	SERIAL NO.	S H 9 5 0 0	REMARKS
1	AH135837	DRIVE SPROCKET	1		X X	
2	H84990	CLAMP	2		X X	
3	03M7184	BOLT	2		X X	M8 X 20
4	JD10387	BALL BEARING	1		X X	
5	JD7844	LUBRICATION FITTING	1		X X	
6	14M7517	LOCK NUT	1		X X	M10
7	H145319	COVER	1		X X	
8	14M7274	NUT	3		X X	M10
9	AH139260	BEARING	2		X X	
10	JD8576	ECCENTRIC LOCKING COLLAR	1		X X	
11	24M7239	WASHER	6		X X	10.700 X 21 X 2.500 MM
12	19M7805	SCREW	6		X X	M10 X 45
13	19M7867	SCREW	4		X X	M8 X 25
	14M7298	FLANGE NUT	4		X X	M8
14	24M7028	WASHER	3		X X	10.500 X 20 X 2 MM
15	H141388	SHIELD	2		X X	
16	19M7867	SCREW	2		X X	M8 X 25
	14M7298	FLANGE NUT	2		X X	M8
..	BH80127	COMPLETE GOODS/SHIP. BUNDLE	1		X X	CHOPPER WITH DRIVES

CORN CURTAIN AND DEFLECTORS (OPTIONAL)
HP4002 -UN-01JAN94



HP4002

9G10

RESIDUE DISPOSAL

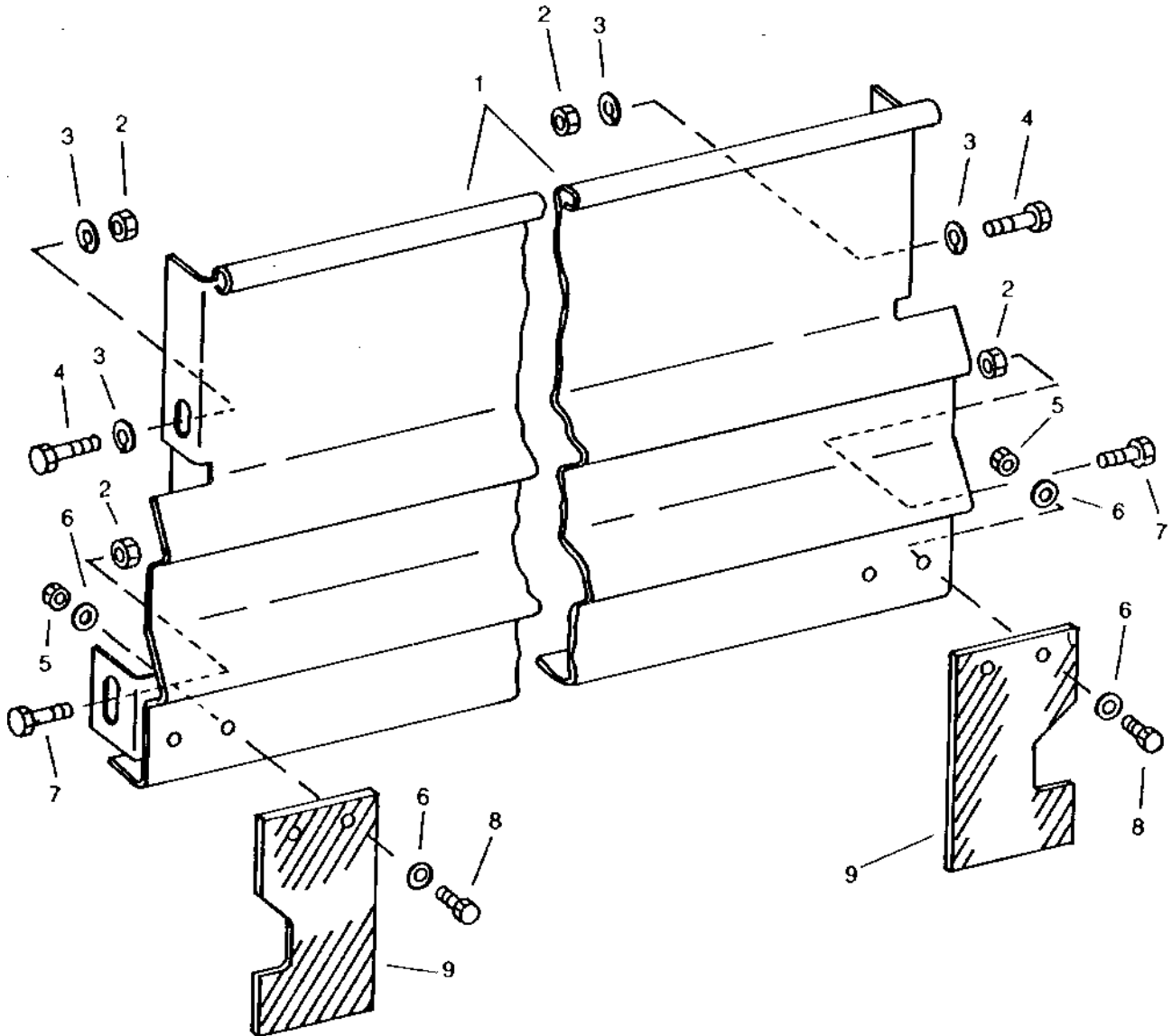
CORN CURTAIN AND DEFLECTORS (OPTIONAL) - CONTINUED

KEY	PART NO.	PART NAME	QTY	SERIAL NO.	S H 9 9 5 5 0 0 0 0	REMARKS
1	AH117265	SUPPORT	1		X	CORN ONLY
2	14M7298	FLANGE NUT	8		X X	M8
3	24M7207	WASHER	2		X X	8.400 X 24 X 2 MM
4	19M7865	SCREW	14		X X	M8 X 16
5	H136133	DEFLECTOR	1	-640200	X	CORN ONLY
	H141087	DEFLECTOR	1	640201-	X X	
6	03M7183	BOLT	2	-671441	X X	M8 X 16
7	14M7298	FLANGE NUT	2	-671441	X X	M8
8	H134889	DEFLECTOR	2		X X	CORN AND GRAIN
9	37M7092	SCREW	6	-640200	X	M8 X 16
	37M7058	SCREW	6	640201-	X X	M8 X 20
..	BH80127	COMPLETE GOODS/SHIP. BUNDLE	1		X X	STRAW CHOPPER WITH DRIVES
..	BH80154	COMPLETE GOODS/SHIP. BUNDLE	1		X X	CORN CHOPPER WITH DRIVES
..	BH80064	COMPLETE GOODS/SHIP. BUNDLE	1		X X	LOWER STRAW CHOPPER
..	BH80074	COMPLETE GOODS/SHIP. BUNDLE	1		X X	STRAW CHOPPER LOWER WITH CHAFF SPREADER

9G11

RESIDUE DISPOSAL

STRAW CHOPPER DOOR
HP3785 -UN-01JAN94



HP3785

9G12

RESIDUE DISPOSAL

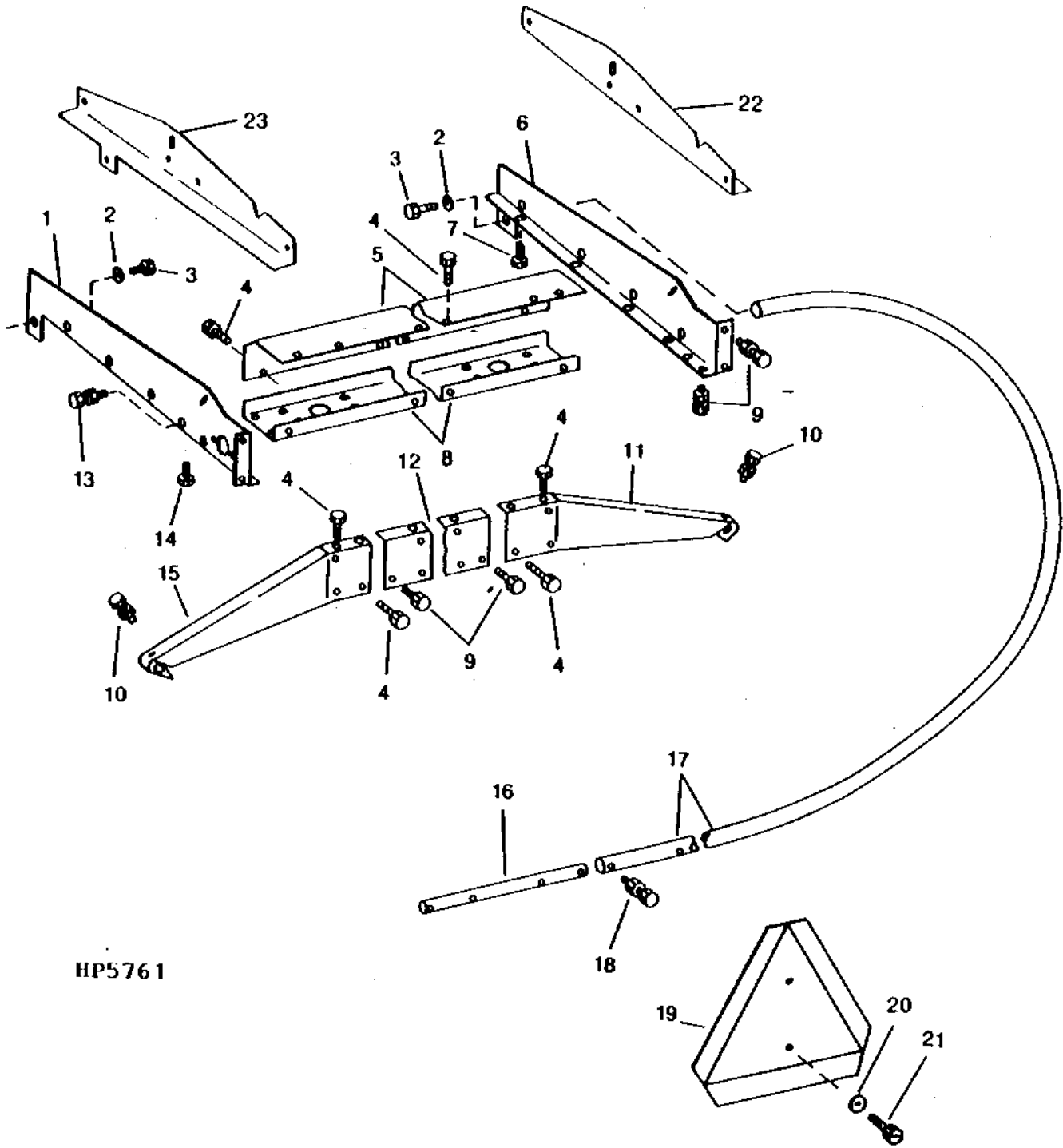
STRAW CHOPPER DOOR - CONTINUED

KEY	PART NO.	PART NAME	QTY	SERIAL NO.	S H 9 5 0 0	REMARKS
1	AH122918	EXTENSION	1	-640200	X	
	AH142778	EXTENSION	1	640201-	X X	(SUB FOR AH135393)
2	14M7400	LOCK NUT	4		X X	M10
3	H126334	LOCK WASHER	4		X X	11.230 X 22.230 X 1.140 MM (0.442" X 0.875" X 0.045")
4	19M7786	SCREW	2		X X	M10 X 30
5	14M7396	LOCK NUT	4		X X	M8
6	24M7207	WASHER	8		X X	8.400 X 24 X 2 MM
7	19M7167	CAP SCREW	2		X X	M10 X 25
8	19M7407	CAP SCREW	4		X X	M8 X 25
9	H131612	GUARD	2		X X	

9G13

RESIDUE DISPOSAL

STRAW SPREADER MOUNTING AND GUARD
HP5761 -UN-01JAN94



HP5761

9G14

RESIDUE DISPOSAL

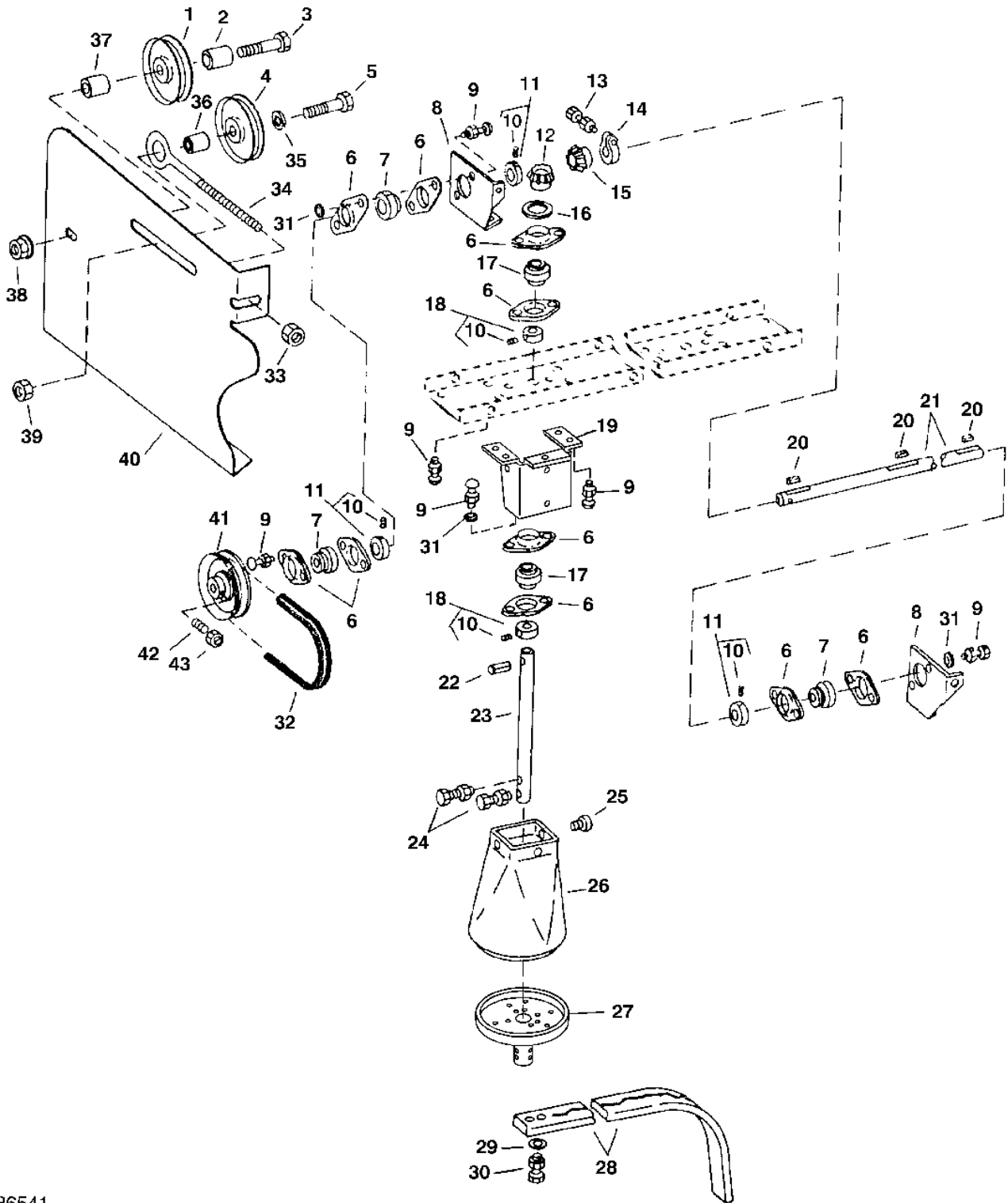
STRAW SPREADER MOUNTING AND GUARD - CONTINUED

KEY	PART NO.	PART NAME	QTY	SERIAL NO.	S H 9 5 0 0	REMARKS
1	AH134439	ANGLE	1		X X	L.H.
2	12H301	LOCK WASHER	1		X X	1/2"
3	19H1792	CAP SCREW	1		X X	1/2" X 1"
4	H78354	SCREW	1		X X	7.938 X 14.224 MM (5/16" X 0.560") (SUB FOR H65108)
5	H117696	SUPPORT	1		X X	
6	AH134438	ANGLE	1		X X	R.H.
7	19M7784	SCREW	1		X X	M10 X 20
8	H117692	SUPPORT	1		X X	
9	19M7784	SCREW	11		X X	M10 X 20
	14M7296	FLANGE NUT	1		X X	M10
10	19M7979	SCREW	11		X X	M8 X 55
	14M7396	LOCK NUT	1		X X	M8
11	H121575	SUPPORT	1		X X	
12	H117694	SUPPORT	1		X X	
13	19M7866	SCREW	4		X X	M8 X 20
	14M7298	FLANGE NUT	4		X X	M8
14	19M7785	SCREW	4		X X	M10 X 25
15	H121576	SUPPORT	1		X X	
16	H84932	TUBE	1		X X	
17	AH85415	GUARD	2		X X	
18	19M7295	CAP SCREW	2		X X	M8 X 45
	14M7396	LOCK NUT	1		X X	M8
19	TY2615	SMV EMBLEM	1		X X	
20	24M7139	WASHER	2		X X	6.400 X 18 X 1.600 MM
21	37M7131	SCREW	2		X X	M6 X 20
22	AH138971	REINFORCEMENT	1		X X	R.H.
23	AH138972	REINFORCEMENT	1		X X	L.H.
..	BH80006	COMPLETE GOODS/SHIP. BUNDLE	1		X X	SPREADER WITH DRIVE

9G15

RESIDUE DISPOSAL

STRAW SPREADER
HP6541 -UN-23AUG96



HP6541

9G16

RESIDUE DISPOSAL

STRAW SPREADER - CONTINUED

KEY	PART NO.	PART NAME	QTY	SERIAL NO.	S H 9 9 5 5 0 0 0 0	REMARKS
1	AH14097	SHEAVE	1		X X	
2	28H1600	SPACER	1		X X	13.868 X 21.336 X 25.400 MM (0.546" X 0.840" X 1")
3	19M7819	SCREW	1		X X	M12 X 90
4	AM103480	IDLER	1		X X	(SUB FOR AM108923)
5	19M7825	SCREW	1		X X	M16 X 65
6	P44439	PRESSED FLANGED HOUSING	14		X X	
7	JD8665	BALL BEARING	1		X X	
8	H135493	SUPPORT	3		X X	
9	03H1540	BOLT	20		X X	5/16" X 3/4"
10	14H785	NUT	8		X X	5/16"
11	JD8554	ECCENTRIC LOCKING COLLAR	4		X X	
12	H91228	GEAR	2		X X	
13	19M7572	CAP SCREW	2		X X	M10 X 45
	14M7296	FLANGE NUT	2		X X	M10
14	H145112	CLAMP	2		X X	(SUB FOR M2300T)
15	H91796	GEAR	2		X X	
16	24H1433	WASHER	2		X X	29/32" X 2-1/4" X 1/4"
17	JD9442	BALL BEARING	4		X X	
18	JD8563	ECCENTRIC LOCKING COLLAR	4		X X	
19	AH131166	SUPPORT	2		X X	
20	H64374	SHAFT KEY	3		X X	(SUB FOR M15973)
21	H134716	DRIVE SHAFT	1		X X	
22	25H1182	GROOVE PIN	2		X X	7.938 X 44.450 MM (5/16" X 1-3/4")
23	H135494	PIN	2		X X	22.225 X 367 MM (7/8" X 14.449")
24	19M8318	SCREW	2		X X	M8 X 45
	14M7396	LOCK NUT	2		X X	M8
25	37M7058	SCREW	6		X X	M8 X 20
26	H83795	GUARD	2		X X	
27	AH141184	CAP	2		X X	(SUB FOR AH131165)
28	H76933	BLADE	6		X X	
29	24M7207	WASHER	12		X X	8.400 X 24 X 2 MM
30	19M7322	CAP SCREW	12		X X	M8 X 35
	14M7396	LOCK NUT	12		X X	M8
31	24M7238	WASHER	10		X X	8.700 X 17 X 2 MM
32	H128234	BELT	1		X X	
	H22529	BELT	1		X X	FINE CUT CHOPPER
33	14M7291	FLANGE NUT	1		X X	M16
34	H127583	EYEBOLT	1		X X	
35	24H1365	WASHER	1		X X	21/32" X 1" X 0.090", (SUB FOR 24H1772)
36	Z33404	SPACER	1		X X	17.800 X 25 X 11 MM (0.701" X 0.984" X 0.433")
37	28H2514	BUSHING	1		X X	13.868 X 21.336 X 19.050 MM (0.546" X 0.840" X 3/4")
38	14M7299	FLANGE NUT	1		X X	M12
39	14M7291	FLANGE NUT	1		X X	M16
40	H135017	BRACKET	1		X X	
41	AH130964	SHEAVE	2		X X	
42	H138435	SET SCREW	4		X X	M10 X 25
43	14M7152	NUT	1		X X	M10

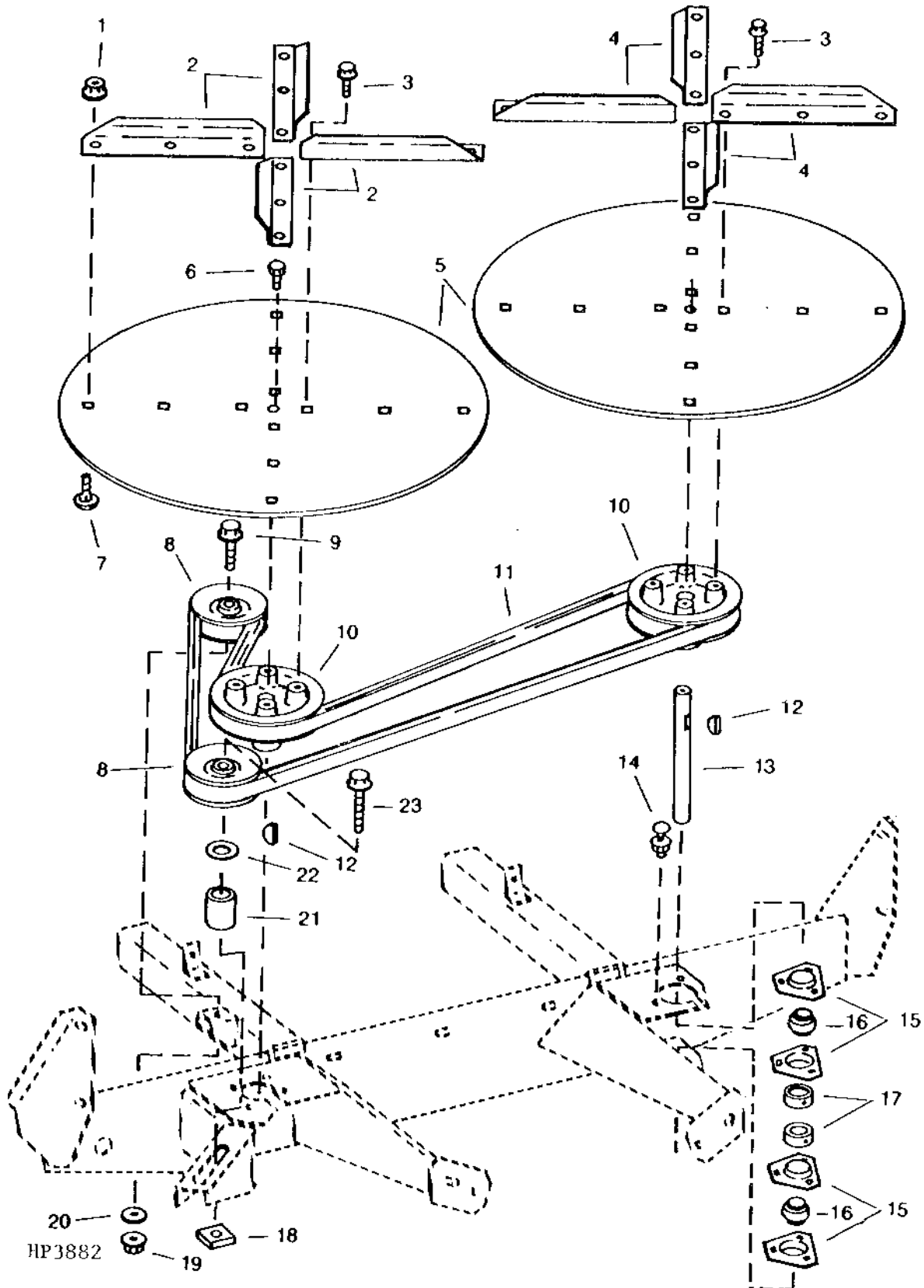
9G17

RESIDUE DISPOSAL

CHAFF SPREADER DISC (BELT TYPE)

(-650200)

HP3882 -UN-01JAN94



9G18

RESIDUE DISPOSAL

CHAFF SPREADER DISC (BELT TYPE) - CONTINUED
 (-650200)

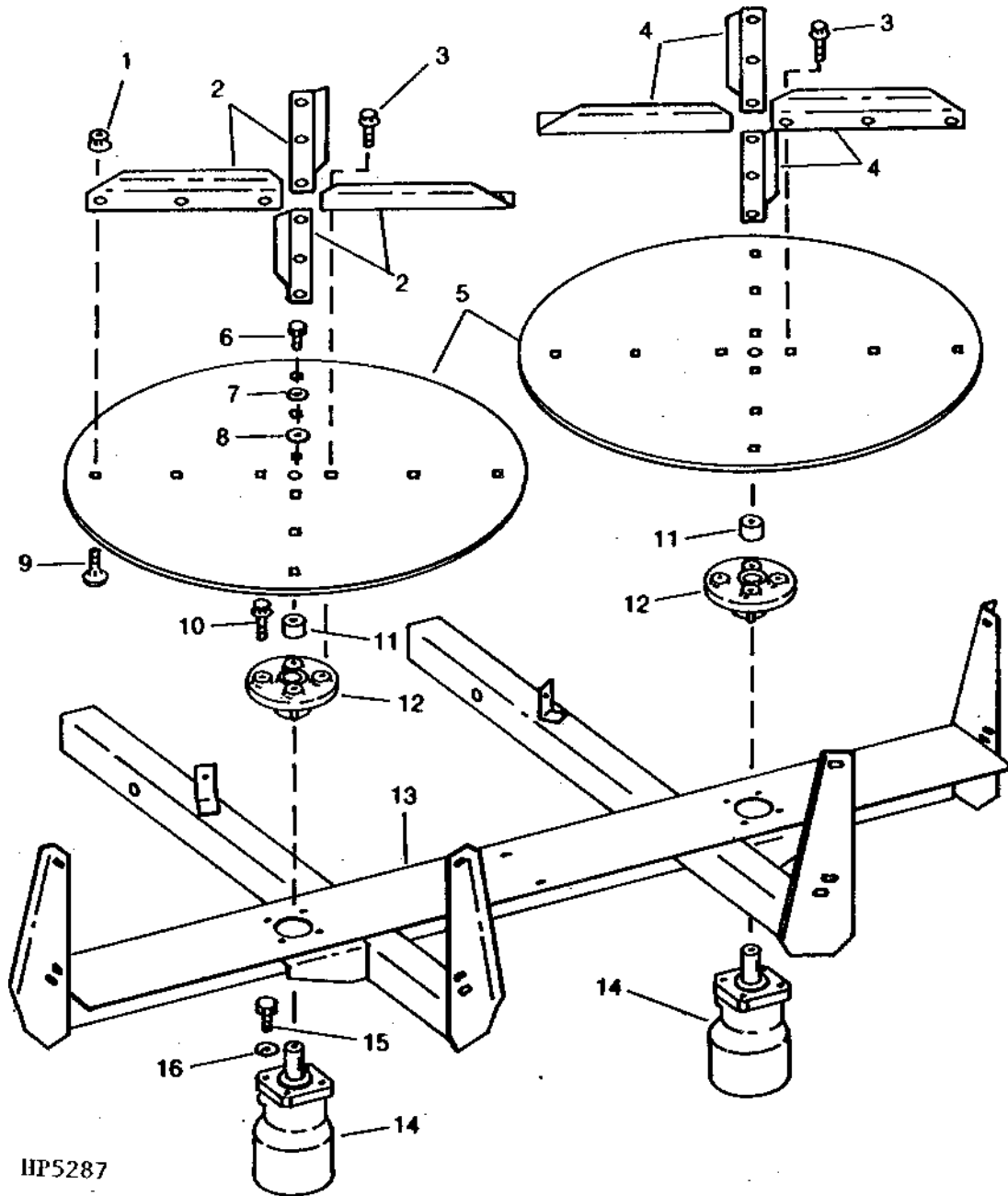
KEY	PART NO.	PART NAME	QTY	SERIAL NO.	S H 9 5 0 0 0 0	REMARKS
1	14M7396	LOCK NUT	16		X X	M8
2	H140162	ANGLE	4		X X	
3	19M7865	SCREW	8		X X	M8 X 16
4	H140161	ANGLE	4		X X	
5	H136257	DISK	2		X X	
6	19M7867	SCREW	1		X X	M8 X 25
7	03M7184	BOLT	16		X X	M8 X 20
8	AH134444	SHEAVE	2		X X	
9	19M8112	SCREW	1		X X	M12 X 55
10	H139670	SHEAVE	2		X X	
11	M95728	BELT	1		X X	
12	26H85	SHAFT KEY	2		X X	(SUB FOR 26H22)
13	H138303	SHAFT	1		X X	
14	03M7184	BOLT	3		X X	M8 X 20
	14M7298	FLANGE NUT	3		X X	M8
15	H103264	PRESSED FLANGED HOUSING	4		X X	
16	JD9273	BALL BEARING	2		X X	
17	JD8554	ECCENTRIC LOCKING COLLAR	2		X X	
18	H130957	NUT	1		X X	
19	14M7299	FLANGE NUT	1		X X	M12
20	24H1790	WASHER	1		X X	17/32" X 1-1/2" X 0.164"
21	28H3315	BUSHING	1		X X	
22	24M7047	WASHER	1		X X	13 X 24 X 2.500 MM
23	19M7819	SCREW	1		X X	M12 X 90
..	BH80265	COMPLETE GOODS/SHIP. BUNDLE	1		X	CHAFF SPREADER LESS 4 WHEEL DRIVE
..	BH80266	COMPLETE GOODS/SHIP. BUNDLE	1		X	CHAFF SPREADER WITH 4 WHEEL DRIVE
..	BH80263	COMPLETE GOODS/SHIP. BUNDLE	1		X	CHAFF SPREADER LESS 4 WHEEL DRIVE
..	BH80264	COMPLETE GOODS/SHIP. BUNDLE	1		X	CHAFF SPREADER WITH 4 WHEEL DRIVE

9G19

RESIDUE DISPOSAL

CHAFF SPREADER DISC (DUAL MOTOR) AND FRAME

(650201-)
HP5287 -UN-01JAN94



HP5287

9G20

RESIDUE DISPOSAL

CHAFF SPREADER DISC (DUAL MOTOR) AND FRAME - CONTINUED
(650201-)

KEY	PART NO.	PART NAME	QTY	SERIAL NO.	S H 9 9 5 5 0 0 0 0	REMARKS
1	14M7396	LOCK NUT	16		X X	M8
2	H140162	ANGLE	4		X X	
3	19M7865	SCREW	8		X X	M8 X 16
4	H140161	ANGLE	4		X X	
5	H136257	DISK	2		X X	
6	19H1898	CAP SCREW	2		X X	1/4" X 1-1/2"
7	12H302	LOCK WASHER	2		X X	1/4"
8	24H1287	WASHER	2		X X	9/32" X 5/8" X 0.065"
9	03M7184	BOLT	16		X X	M8 X 20
10	19M7865	SCREW	8		X X	M8 X 16
11	H123918	SPACER	2		X X	
12	H143955	HUB	2		X X	
13	AH137752	FRAME	1		X X	
14	AH141858	MOTOR	2		X X	(SUB FOR AH127887)
15	19H1731	CAP SCREW	8		X X	3/8" X 1"
16	12H304	LOCK WASHER	8		X X	3/8"
..	BH80263	COMPLETE GOODS/SHIP. BUNDLE	1		X	CHAFF SPREADER LESS 4 WHEEL DRIVE
..	BH80264	COMPLETE GOODS/SHIP. BUNDLE	1		X	CHAFF SPREADER WITH 4 WHEEL DRIVE
..	BH80265	COMPLETE GOODS/SHIP. BUNDLE	1		X	CHAFF SPREADER LESS 4 WHEEL DRIVE
..	BH80266	COMPLETE GOODS/SHIP. BUNDLE	1		X	CHAFF SPREADER WITH 4 WHEEL DRIVE

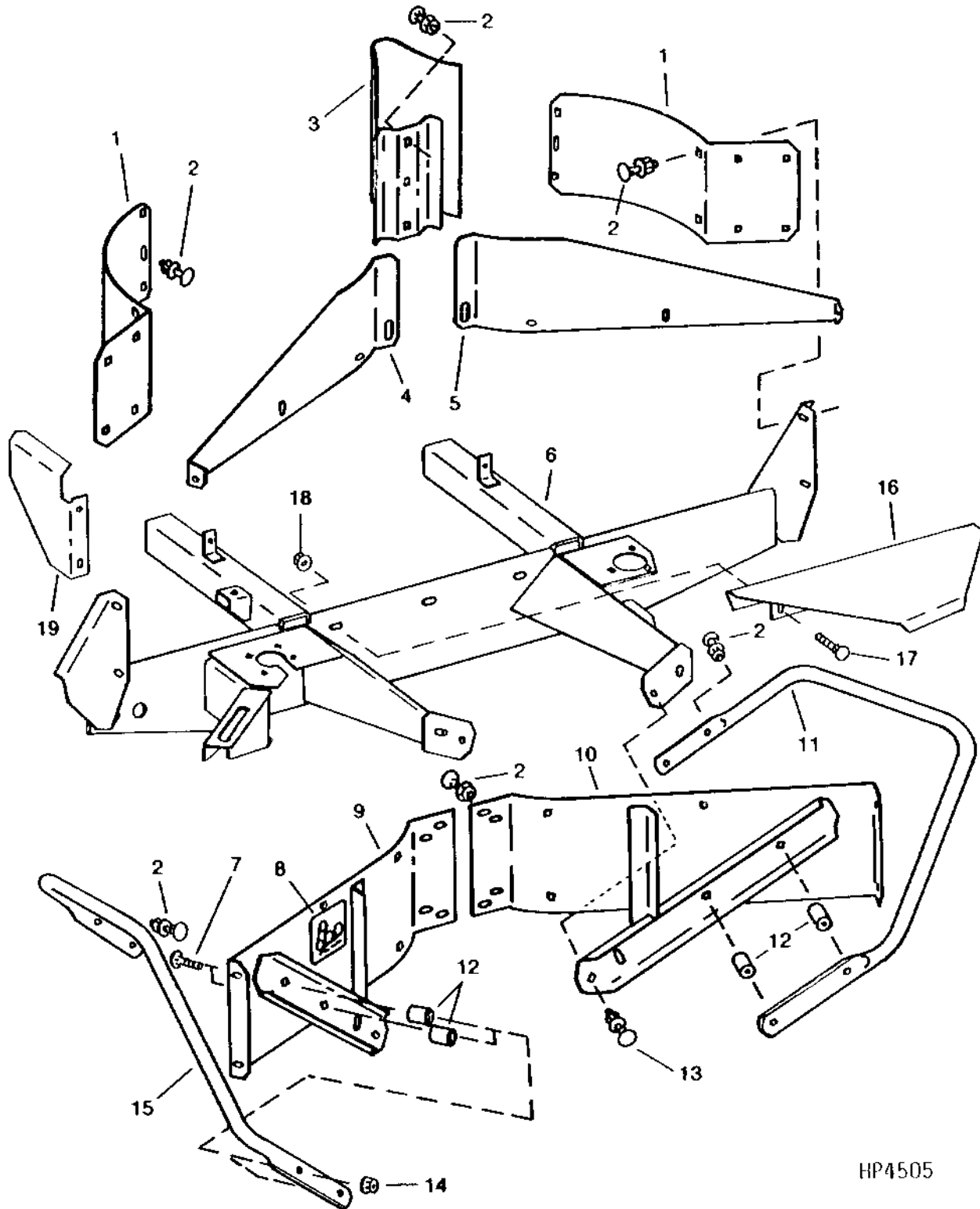
9G21

RESIDUE DISPOSAL

CHAFF SPREADER (BELT TYPE) FRAME, SHIELDS AND HANDLES

(-650200)

HP4505 -UN-01JAN94



HP4505

CHAFF SPREADER (BELT TYPE) FRAME, SHIELDS AND HANDLES - CONTINUED

(-650200)

KEY	PART NO.	PART NAME	QTY	SERIAL NO.	S H 9 5 0 0 0 0	REMARKS
1	H136280	SHIELD	2		X X	
2	03M7184	BOLT	21		X X	M8 X 20
	14M7298	FLANGE NUT	21		X X	M8
3	AH132852	PARTITION	1	-638458	X	
	AH135498	PARTITION	1	638459-	X X	
4	H139938	SHIELD	1	-638458	X	
	H141107	SHIELD	1	638459-	X X	
5	H139937	SHIELD	1	-638458	X	
	H141106	SHIELD	1	638459-	X X	
6	AH134558	SUPPORT	1		X X	
7	03M7223	BOLT	4		X X	M8 X 60
8	H139988	LABEL	1		X X	CHAFF SPREADER DRIVE
9	AH134580	SHIELD	1		X X	
10	AH134579	SHIELD	1		X X	
11	H139007	TUBE	1	-638458	X	
	H143743	TUBE	1	638459-	X X	
12	28H1633	BUSHING	4		X X	0.364" X 0.540" X 1-9/16"
13	19M7866	SCREW	4		X X	M8 X 20
	14M7298	FLANGE NUT	4		X X	M8
14	14M7298	FLANGE NUT	4		X X	M8
15	H139008	TUBE	1	-638458	X	
	H143744	TUBE	1	638459-	X X	
16	H141108	SHIELD	1	638459-	X X	
17	03M7183	BOLT	3		X X	M8 X 16
18	14M7298	FLANGE NUT	3		X X	M8
19	H143762	SHIELD	1	638459-650235	X X	

9G23

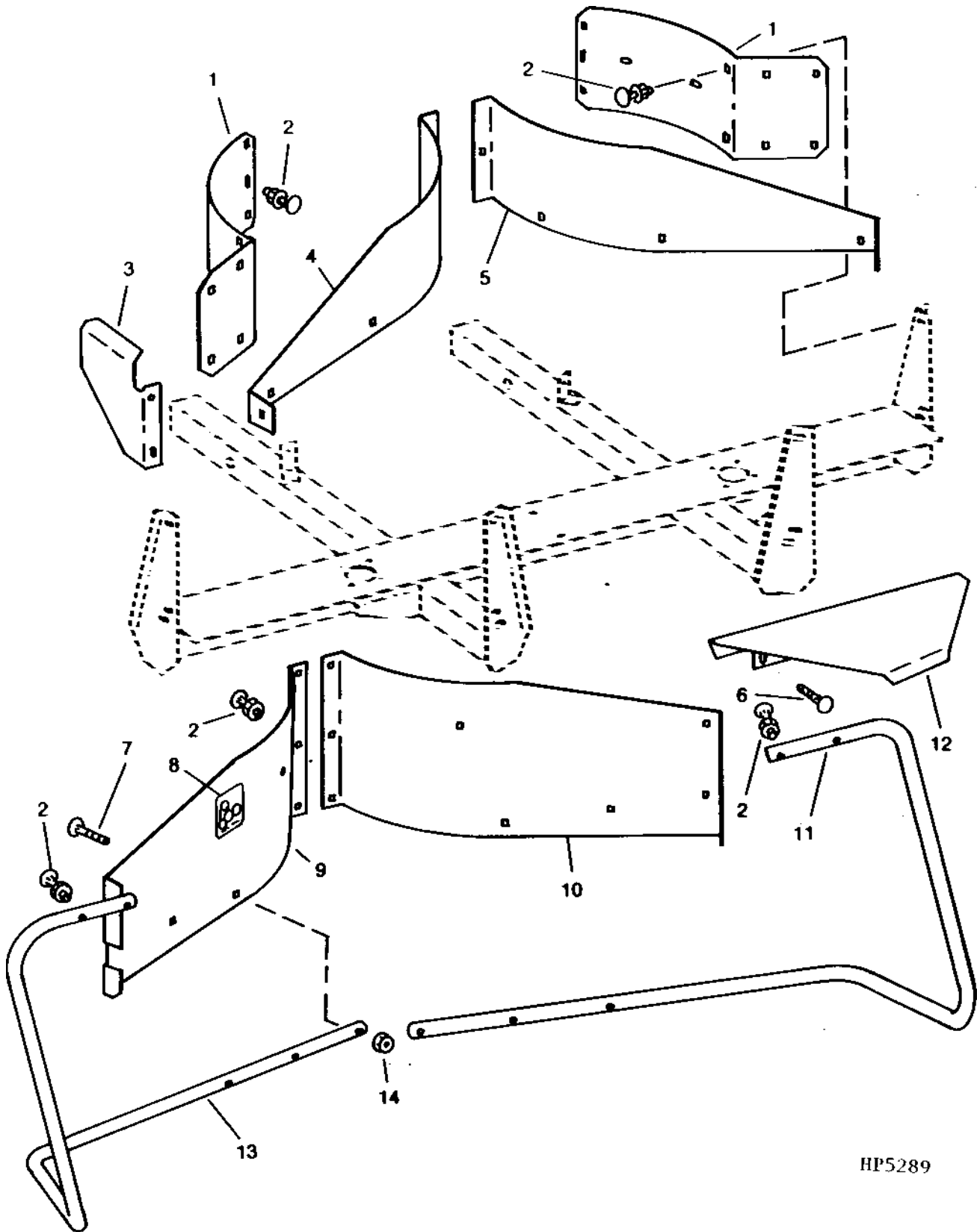
RESIDUE DISPOSAL

CHAFF SPREADER (DUAL MOTOR) SHIELDS AND HANDLES

(650201-655714)

HP5289

-UN-01JAN94



HP5289

9G24

RESIDUE DISPOSAL

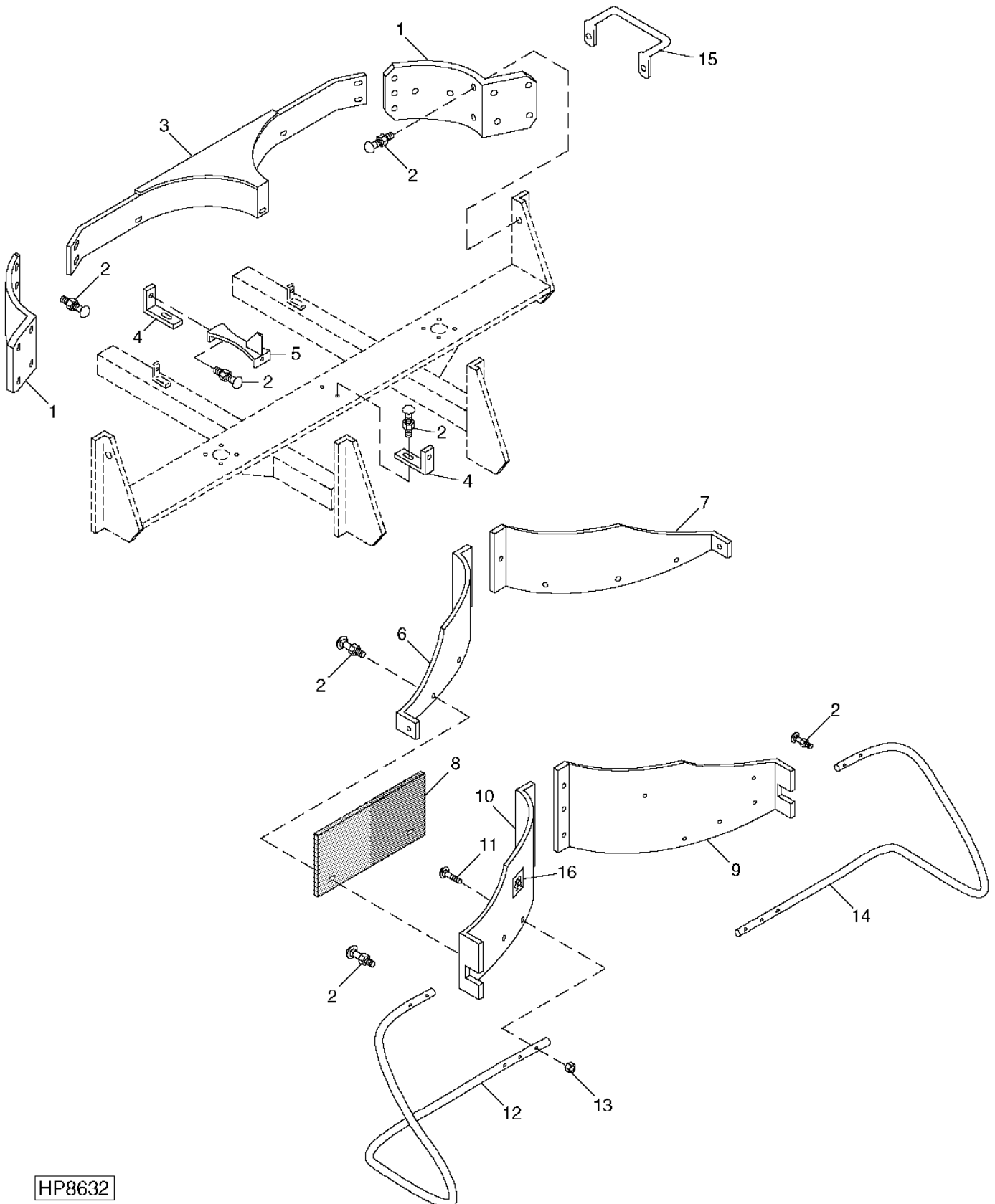
CHAFF SPREADER (DUAL MOTOR) SHIELDS AND HANDLES - CONTINUED
(650201-655714)

KEY	PART NO.	PART NAME	QTY	SERIAL NO.	S H 9 5 0 0 0 0	REMARKS
1	H146011	SHIELD	2		X X	
2	03M7184	BOLT	21		X X	M8 X 20
	14M7298	FLANGE NUT	21		X X	M8
3	H143762	SHIELD	1		X X	
4	H145096	SHIELD	1		X X	L.H.
5	H145095	SHIELD	1		X X	R.H.
6	03M7183	BOLT	3		X X	M8 X 16
7	03M7223	BOLT	4		X X	M8 X 60
8	H139988	LABEL	1		X X	CHAFF SPREADER DRIVE
9	H143950	SHIELD	1		X X	L.H.
10	H143949	SHIELD	1		X X	R.H.
11	H143951	TUBE	1		X X	R.H.
12	H148107	DUST SHIELD	1		X X	
13	H143952	TUBE	1		X X	L.H.
14	14M7298	FLANGE NUT	4		X X	M8

9H1

CHAFF SPREADER (DUAL MOTOR) SHIELDS AND HANDLES

(655715-)
HP8632 -UN-23JUL99



HP8632

9H2

RESIDUE DISPOSAL

CHAFF SPREADER (DUAL MOTOR) SHIELDS AND HANDLES - CONTINUED
(655715-)

KEY	PART NO.	PART NAME	QTY	SERIAL NO.	S H 9 9 5 5 0 0 0 0	REMARKS
1	H146011	SHIELD	2		X X	
2	03M7184	BOLT	21		X X	M8 X 20
	14M7298	FLANGE NUT	21		X X	M8
3	AH137753	SHIELD	1		X X	
4	H143948	BRACKET	2		X X	
5	AH141652	DUST SHIELD	1		X X	
6	H145096	SHIELD	1		X X	
7	H145095	SHIELD	1		X X	
8	H148107	DUST SHIELD	1		X X	
9	H143950	SHIELD	1		X X	
10	H143949	SHIELD	1		X X	
11	03M7223	BOLT	6		X X	M8 X 60
12	H143952	TUBE	1		X X	
13	14M7298	FLANGE NUT	6		X X	M8
14	H143951	TUBE	1		X X	
15	M112639	STOP	2		X X	
16	H139988	LABEL	1		X X	CHAFF SPREADER DRIVE

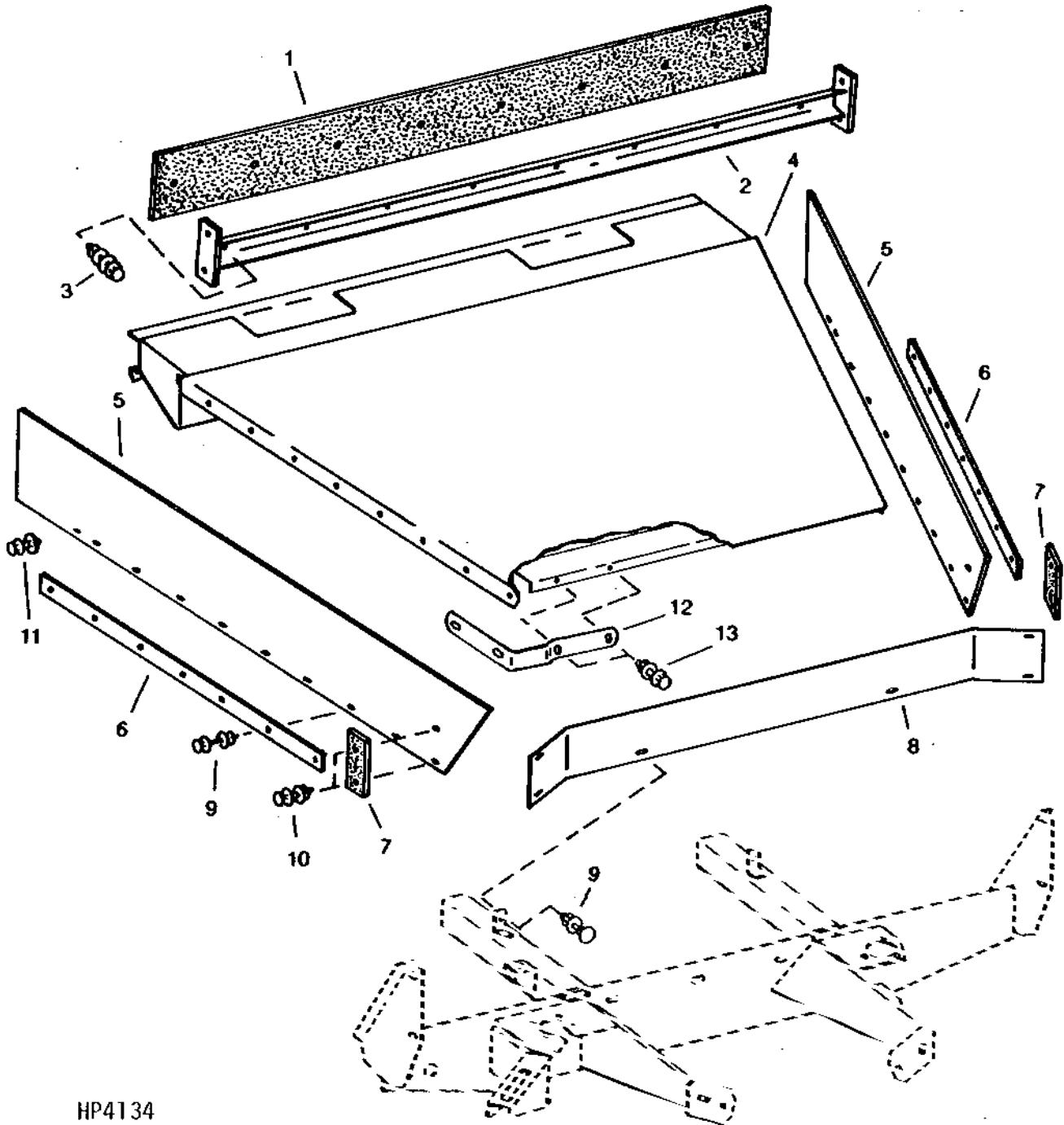
9H3

RESIDUE DISPOSAL

CHAFF SPREADER (BELT TYPE) PAN AND SEALS

(-650200)

HP4134 -UN-01JAN94



HP4134

9H4

RESIDUE DISPOSAL

CHAFF SPREADER (BELT TYPE) PAN AND SEALS - CONTINUED
 (-650200)

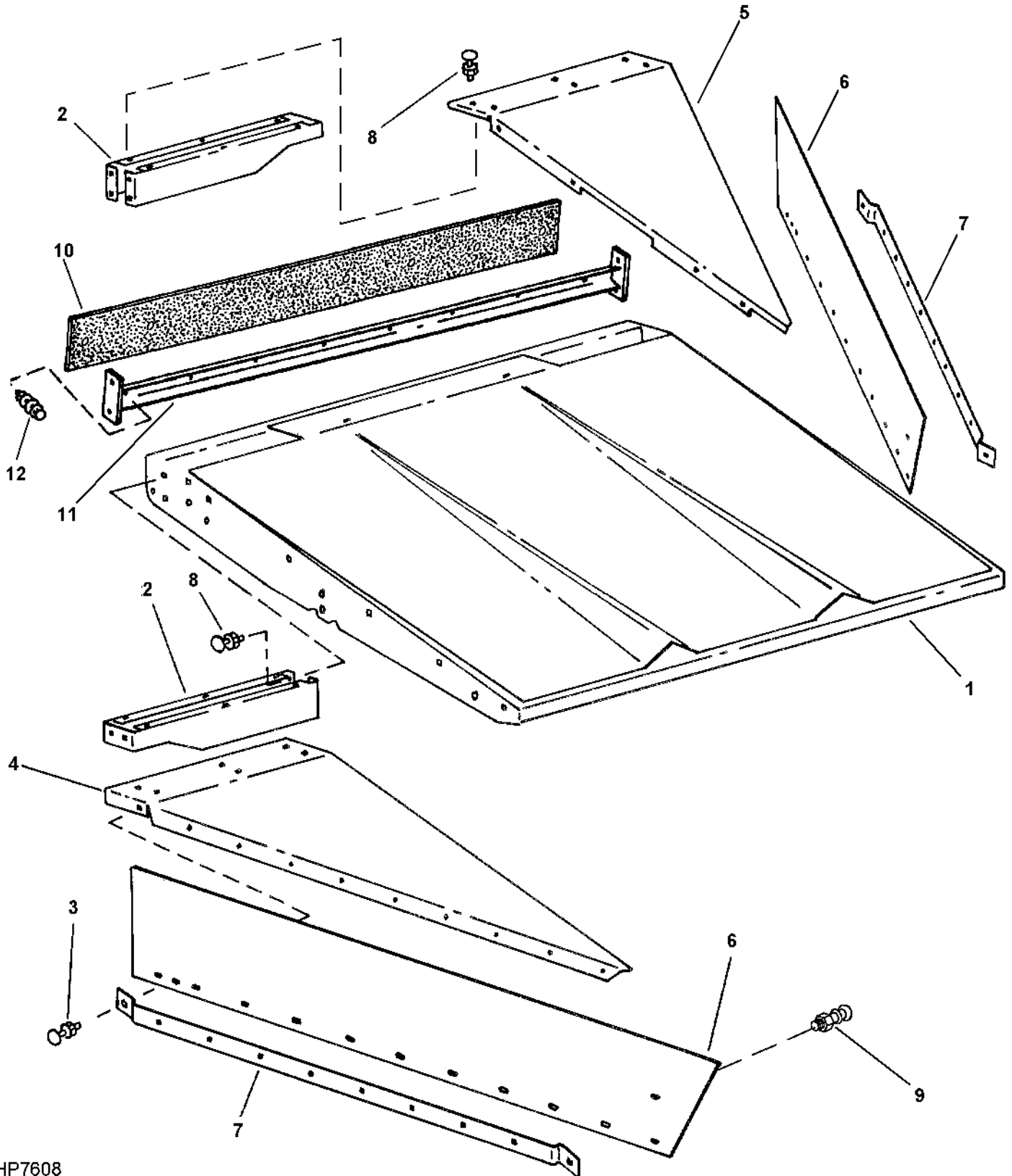
KEY	PART NO.	PART NAME	QTY	SERIAL NO.	S H 9 5 0 0 0 0	REMARKS
1	H135844	FLAP	1		X X	
2	AH132361	CROSSBAR	1		X X	
3	19M7863	SCREW	8		X X	M6 X 25
	24M7207	WASHER	8		X X	8.400 X 24 X 2 MM
	14M7303	FLANGE NUT	8		X X	M6
4	AH141042	FRAME	1		X X	(SUB FOR AH132359)
5	H136300	SEAL	2		X X	
6	H136299	REINFORCEMENT	2		X X	
7	H139006	STRAP	2		X X	
8	H136279	SHIELD	1		X X	
9	19M7866	SCREW	18		X X	M8 X 20
	14M7298	FLANGE NUT	18		X X	M8
10	19M7867	SCREW	4		X X	M8 X 25
	14M7298	FLANGE NUT	4		X X	M8
	24H1294	WASHER	4		X X	11/32" X 1-1/8" X 1/16"
	24H1790	WASHER	4		X X	17/32" X 1-1/2" X 0.164"
11	19M7867	SCREW	4		X X	M8 X 25
	24H1294	WASHER	4		X X	11/32" X 1-1/8" X 1/16"
12	H143714	STRAP	2	638259-	X X	
13	19M7866	SCREW	4	638259-	X X	M8 X 20
	14M7298	FLANGE NUT	4	638259-	X X	M8

9H5

RESIDUE DISPOSAL

CHAFF SPREADER (DUAL MOTOR) PAN, WINGS AND SEALS

(650201-)
HP7608 -UN-31AUG98



HP7608

9H6

RESIDUE DISPOSAL

CHAFF SPREADER (DUAL MOTOR) PAN, WINGS AND SEALS - CONTINUED
(650201-)

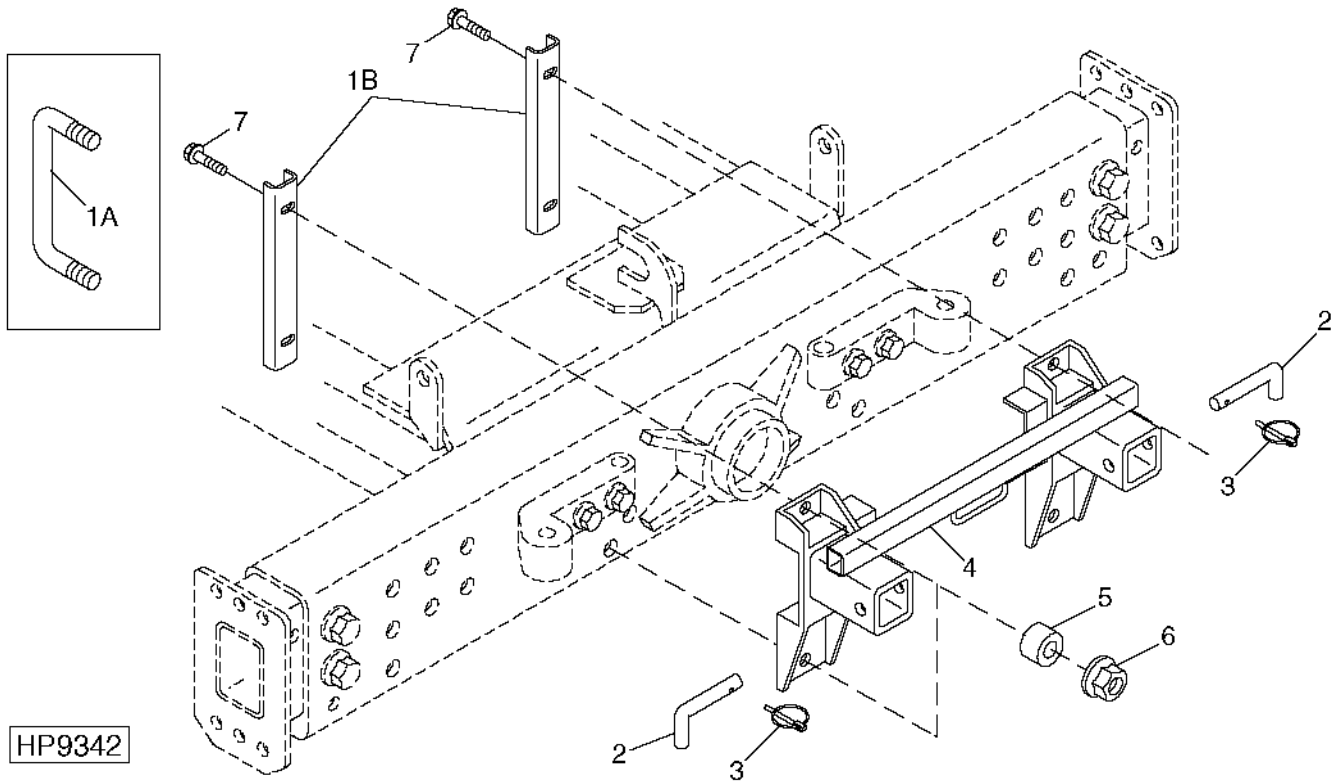
KEY	PART NO.	PART NAME	QTY	SERIAL NO.	S H 9 5 0 0 0 0	REMARKS
1	AH137975	FRAME	1		X X	
2	H144161	SUPPORT	2		X X	
3	03M7184	BOLT	20		X X	M8 X 20
	14M7396	LOCK NUT	20		X X	M8
4	H144157	SHEET	1		X X	
5	H144158	SHEET	1		X X	
6	H148025	DEFLECTOR	2		X X	
7	H144163	STRAP	2		X X	
8	03M7184	BOLT	28		X X	M8 X 20
	14M7298	FLANGE NUT	28		X X	M8
9	03M7184	BOLT	2		X X	M8 X 20
	24M7207	WASHER	2		X X	8.400 X 24 X 2 MM
	14M7396	LOCK NUT	2		X X	M8
10	H135844	FLAP	1		X X	
11	AH132361	CROSSBAR	1		X X	
12	19M7863	SCREW	9		X X	M6 X 25
	24M7207	WASHER	9		X X	8.400 X 24 X 2 MM
	14M7303	FLANGE NUT	9		X X	M6
..	BH79815	COMPLETE GOODS/SHIP. BUNDLE	1		X X	CHAFF PAN WING AND EXTERNAL BUNDLE

9H7

RESIDUE DISPOSAL

CHAFF SPREADER MOUNTING SUPPORT

HP9342 -UN-23NOV99



HP9342

S
H
9 9
5 5
0 0
0 0

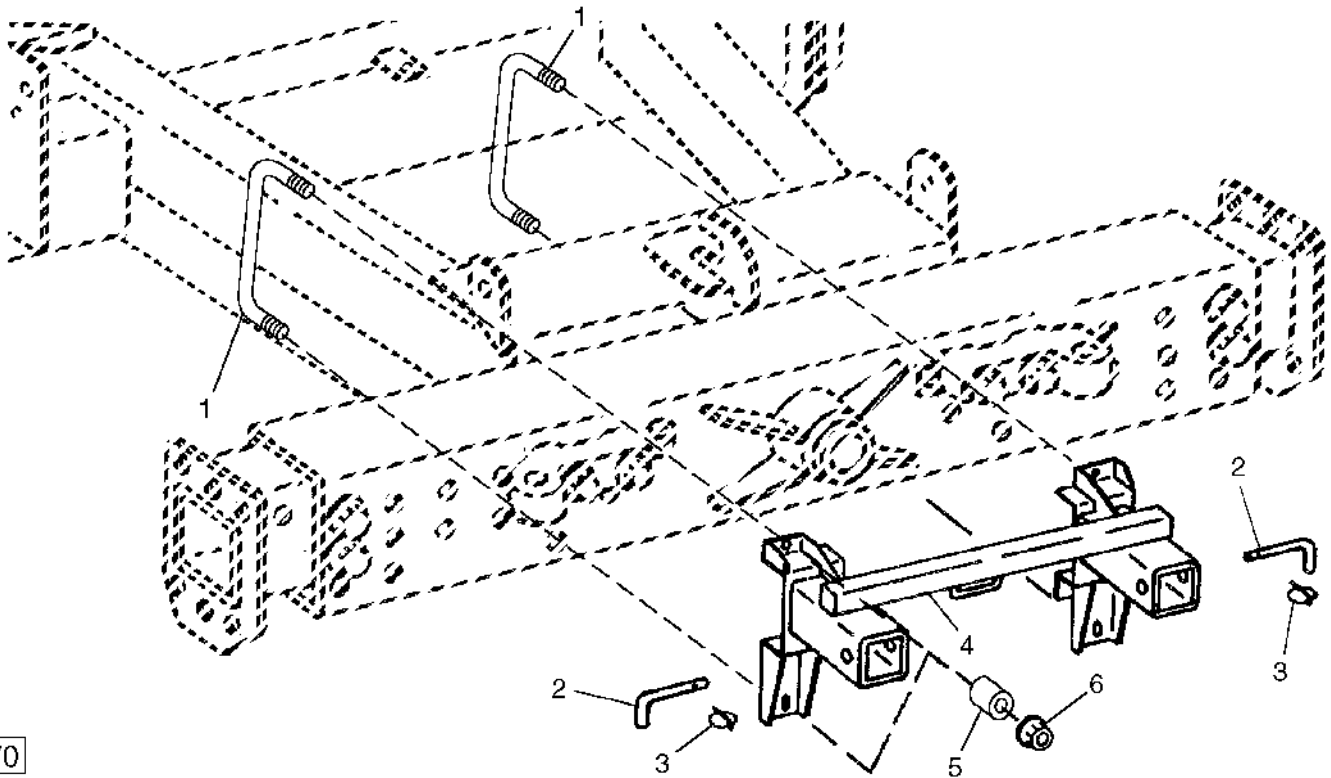
KEY	PART NO.	PART NAME	QTY	SERIAL NO.	REMARKS
1A	H136263	U-BOLT	2	-647297	(SUB H148202 AND (2) N61709)
	H148202	U-BOLT	2	-15SE97	
1B	H164605	CHANNEL	2	16SE97-	
2	H139005	PIN	2		
3	M72598	QUICK LOCK PIN	2		
4	AH132759	SUPPORT	1	-647297	
	AH137751	SUPPORT	1	647298-	
5	N61709	BUSHING	4	647298-	
6	14M7299	FLANGE NUT	4		M12
7	19M7822	SCREW	4		M12 X 160

9H8

RESIDUE DISPOSAL

CHAFF SPREADER MOUNTING SUPPORT (SIDEHILL)

HP8270 -UN-22NOV99



HP8270

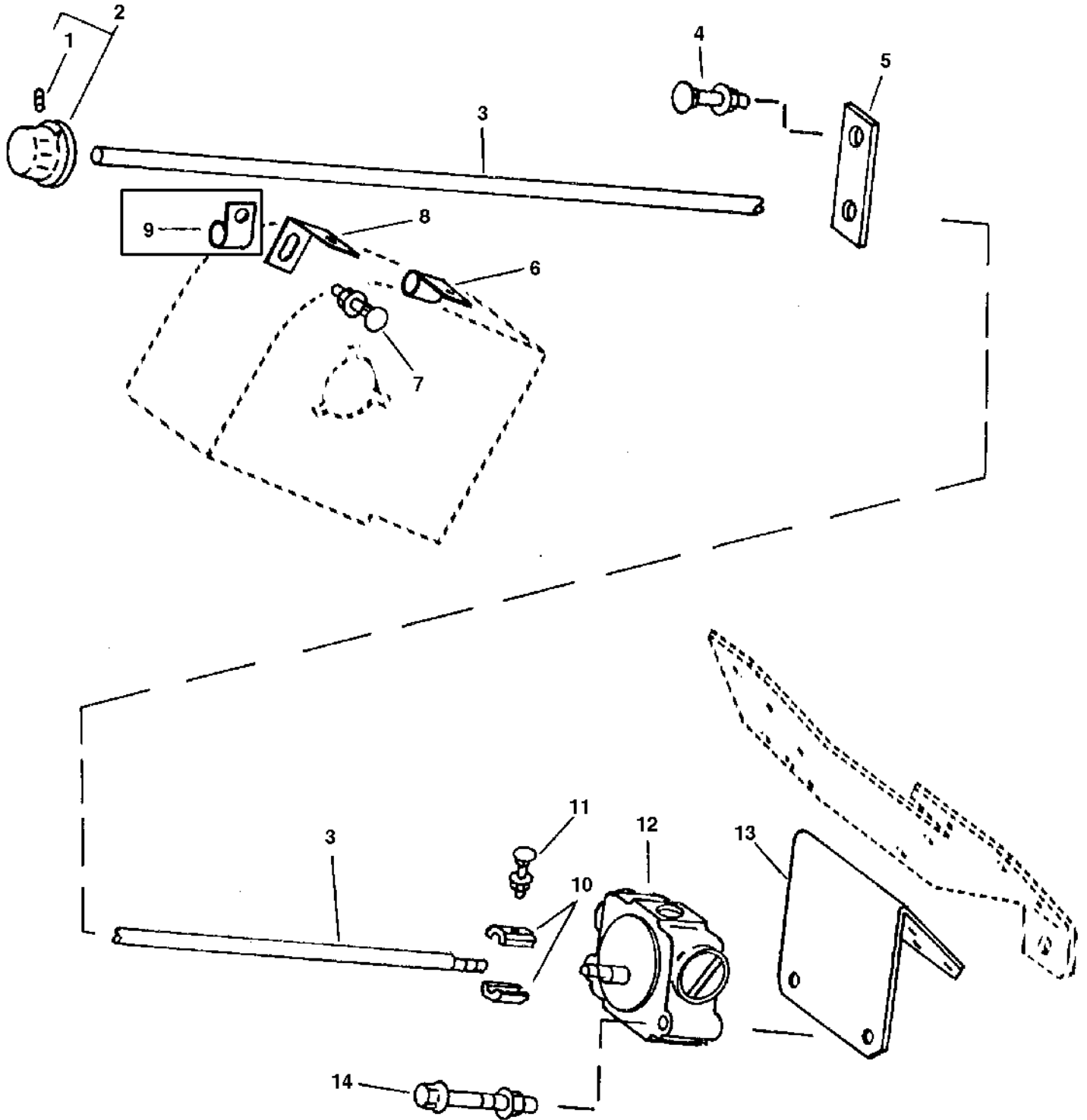
S
H
9
9
5
5
0
0
0
0

KEY	PART NO.	PART NAME	QTY	SERIAL NO.	REMARKS
1	H136263	U-BOLT	2	-655715	X (SUB H148202 AND (2) N61709)
	H148202	U-BOLT	2		X
2	H139005	PIN	2		X
3	M72598	QUICK LOCK PIN	2		X
4	AH135910	SUPPORT	1	-655715	X
	AH138510	SUPPORT	1	655716-	X
5	N61709	BUSHING	4		X 13.487 X 25.400 X 18.110 MM (17/32" X 1" X 0.713")
6	14M7299	FLANGE NUT	4	-655715	X M12

9H9

RESIDUE DISPOSAL

CHAFF SPREADER CONTROL, CHECK VALVE, ROD AND KNOB
HP7209 -UN-17OCT97



HP7209

9H10

RESIDUE DISPOSAL

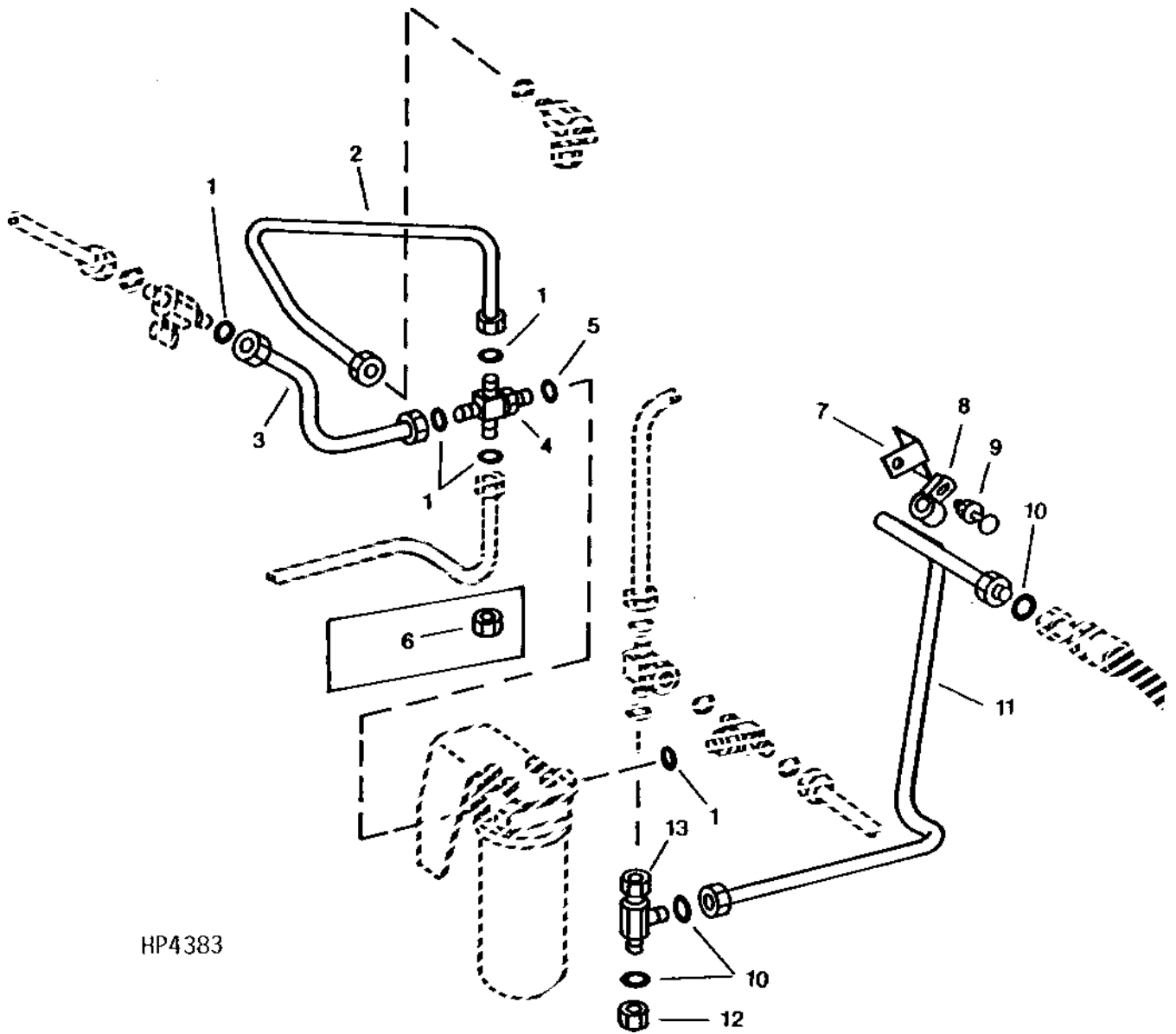
CHAFF SPREADER CONTROL, CHECK VALVE, ROD AND KNOB - CONTINUED

KEY	PART NO.	PART NAME	QTY	SERIAL NO.	S H 9 5 0 0	REMARKS
1	SET SCREW	2		X X	
2	AH132988	KNOB	1		X X	
3	H137867	ROD	1		X	(SUB (2) H114020 AND (2) H144896 AND 03M7290 AND 14M7303)
4	H144896 37M7183	PIN SCREW	1 1		X X X X	9.525 X 1 100 MM (3/8" X 43.307")
	14M7298	FLANGE NUT	1		X X	M8
5	H139006	STRAP	1		X X	
6	AH11015	CLIP	1		X X	
7	03M7184	BOLT	1		X X	M8 X 20
	14M7298	FLANGE NUT	1		X X	M8
8	H137866	BRACKET	1		X X	
9	AH76882	CLIP	1	-6OCT97	X X	
10	H114020	HALF CLAMP	2		X X	
11	19M7775	SCREW	1		X X	M6 X 16
	14M7303	FLANGE NUT	1		X X	M6
12	AH140902	CHECK VALVE	1		X X	(SUB FOR AH130180 OR AH136202)
13	H137865	BRACKET	1		X X	
14	19M7979	SCREW	2		X X	M8 X 55
	14M7298	FLANGE NUT	2		X X	M8

9H11

RESIDUE DISPOSAL

CHAFF SPREADER LINES AND FITTINGS
HP4383 -UN-01JAN94



HP4383

9H12

RESIDUE DISPOSAL

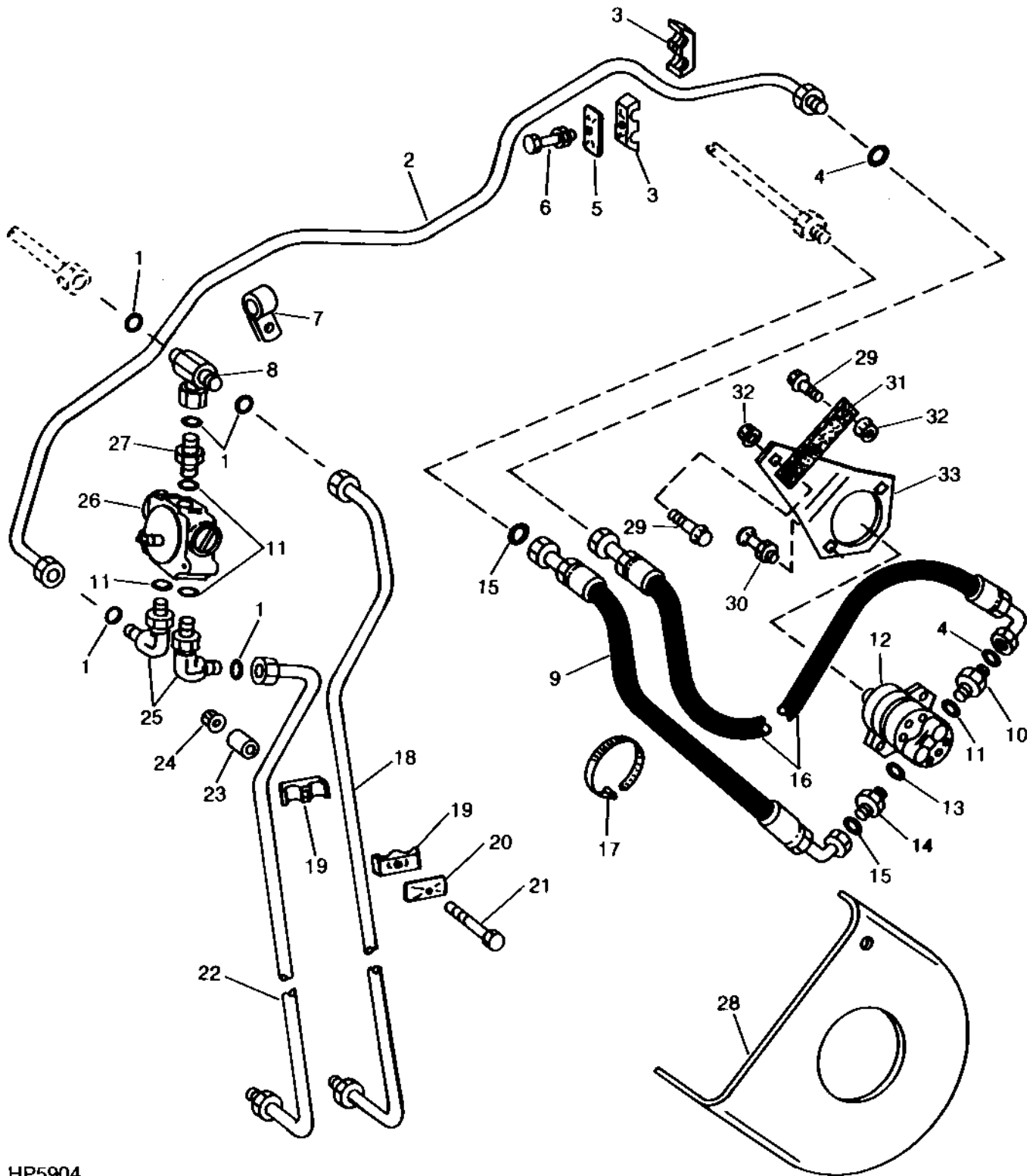
CHAFF SPREADER LINES AND FITTINGS - CONTINUED

KEY	PART NO.	PART NAME	QTY	SERIAL NO.	S H 9 5 0 0	REMARKS
1	T77858	O-RING	5		X X	18.771 X 1.778 MM (0.739" X 0.070")
2	AH133759	OIL LINE	1		X X	
3	AH126169	OIL LINE	1		X X	
4	AH132031	FITTING	1		X X	
5	R29936	O-RING	1		X X	29.743 X 2.946 MM (1.171" X 0.116")
6	38H1418	FITTING PLUG	1		X X	
7	H139964	BRACKET	1		X X	
8	R72659	CLAMP	1		X X	(SUB FOR AH83545)
9	03M7183	BOLT	1		X X	M8 X 16
	14M7298	FLANGE NUT	1		X X	M8
10	T76938	O-RING	3		X X	23.520 X 1.778 MM (0.926" X 0.070")
11	AH133770	LINE	1		X X	
12	38H1419	FITTING PLUG	1		X X	
13	38H1467	TEE FITTING	1		X X	

9H13

RESIDUE DISPOSAL

CHAFF SPREADER LINES, HOSES, VALVE AND PUMP
HP5904 -UN-17DEC94



HP5904

9H14

RESIDUE DISPOSAL

CHAFF SPREADER LINES, HOSES, VALVE AND PUMP - CONTINUED

KEY	PART NO.	PART NAME	QTY	SERIAL NO.	S H 9 9 5 5 0 0 0 0	REMARKS
1	T77932	O-RING	AR		X X	15.596 X 1.778 MM (0.614" X 0.070")
2	AH133758	OIL LINE	1		X X	
3	H120362	CLAMP	2		X X	
4	T77857	O-RING	2		X X	12.421 X 1.778 MM (0.489" X 0.070")
5	H112567	PLATE	1		X X	
6	19M7801	SCREW	1		X X	M8 X 60
	14M7298	FLANGE NUT	1		X X	M8
7	T27523	CLAMP	1		X X	
8	38H1040	TEE FITTING	1		X X	
9	AH132200	HYDRAULIC HOSE	1		X X	1-3/16" X 975 MM (38-1/2") X 1-3/16", (SUCTION)
10	38H1174	ADAPTER	1		X X	
11	R26906	O-RING	1		X X	19.177 X 2.464 MM (0.755" X 0.097")
12	AH134555	PUMP	1		X X	(CESSNA NO. R25305 - RAL) REMANUFACTURED
13	R29936	O-RING	1		X X	29.743 X 2.946 MM (1.171" X 0.116")
14	38H1194	ADAPTER	1		X X	
15	T77858	O-RING	1	-640200	X	18.771 X 1.778 MM (0.739" X 0.070")
16	AH132201	HYDRAULIC HOSE	1		X X	13/16" X 980 MM (38-1/2") X 13/16", (PRESSURE)
17	H77698	TIE BAND	1		X X	
18	AH133949	OIL LINE	1		X X	
19	H120847	CLAMP	2		X X	
20	H121168	PLATE	1		X X	
21	19M7873	SCREW	1		X X	M8 X 110
22	AH133948	OIL LINE	1		X X	
23	L3483N	BUSHING	1		X X	10.312 X 15.875 X 53.975 MM (13/32" X 5/8" X 2-1/8") USED W/O 4-WHEEL DRIVE
24	14M7298	FLANGE NUT	1		X X	M8
25	38H1006	ELBOW FITTING	2		X X	
26	AH140902	CHECK VALVE	1		X X	(SUB FOR AH130180 OR AH136202)
27	38H1162	ADAPTER	1		X X	
28	H137603	SHIELD	1		X X	
29	19M7867	SCREW	2		X X	M8 X 25
30	03M7186	BOLT	2		X X	M8 X 30
	14M7298	FLANGE NUT	2		X X	M8
31	H78340	STRAP	1		X X	
32	14M7298	FLANGE NUT	2		X X	M8
33	H137602	ARM	1		X X	

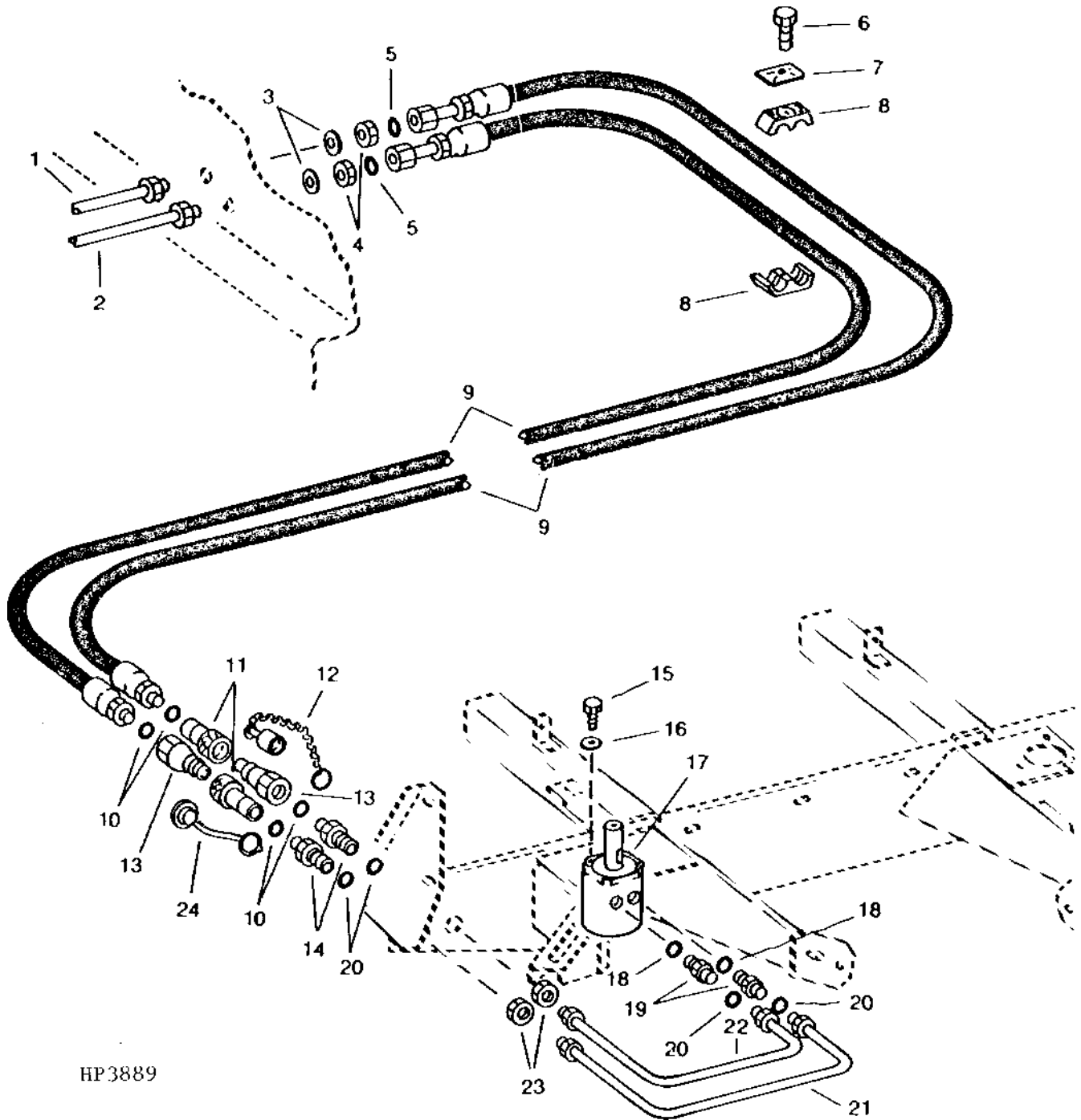
9H15

RESIDUE DISPOSAL

CHAFF SPREADER (BELT TYPE) HOSES, LINES AND MOTOR

(-650200)

HP3889 -UN-01JAN94



HP3889

9H16

RESIDUE DISPOSAL

CHAFF SPREADER (BELT TYPE) HOSES, LINES AND MOTOR - CONTINUED

(-650200)

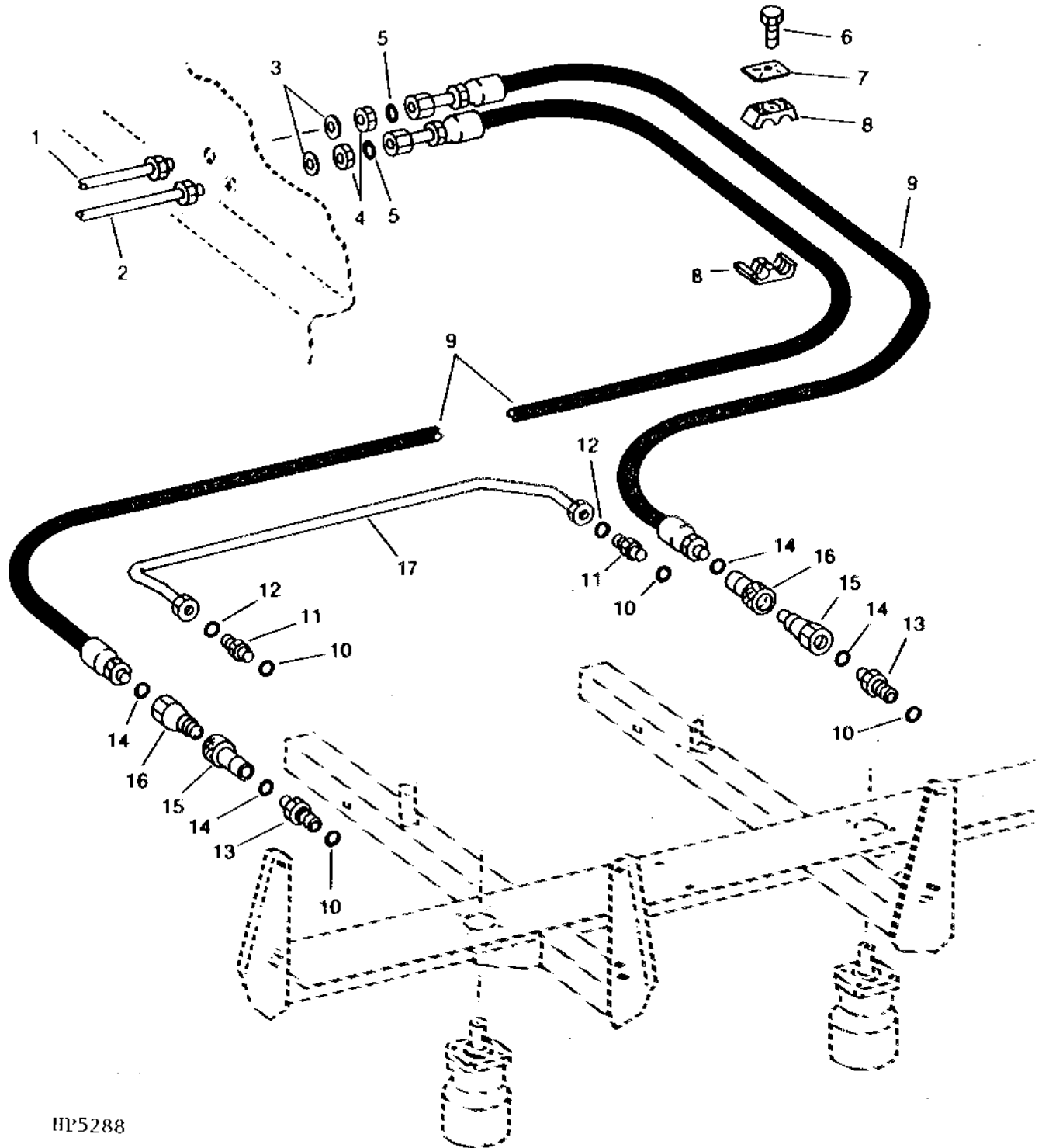
KEY	PART NO.	PART NAME	QTY	SERIAL NO.	S H 9 5 0 0 0 0	REMARKS
1	AH133948	OIL LINE	1		X X	PRESSURE
2	AH133949	OIL LINE	1		X X	RETURN
3	24M7051	WASHER	2		X X	21 X 37 X 3 MM
4	T78716	NUT	2		X X	20.625 MM (13/16")
5	T77857	O-RING	2		X X	12.421 X 1.778 MM (0.489" X 0.070")
6	19M8039	SCREW	1		X X	M8 X 80
7	H112567	PLATE	1		X X	
8	H122772	CLAMP	2		X X	
9	AH133950	HYDRAULIC HOSE	2		X X	13/16" X 3 400 MM (133-3/4") X 13/16"
10	R26375	O-RING	2		X X	16.358 X 2.210 MM (0.644" X 0.087")
11	AH75167	HYD. QUICK-CONNECT COUPLER	2		X X	(INCLUDES INTERNAL O-RING)
12	A15898	CAP	1		X X	
13	AR94522	INTERNAL HALF COUPLER	2		X X	
14	H137729	FITTING	2		X X	
15	19H1936	CAP SCREW	4		X X	9.525 X 19.050 MM (3/8" X 3/4")
16	12H304	LOCK WASHER	4		X X	3/8"
17	AH133196	MOTOR	1		X X	
18	R26906	O-RING	2		X X	19.177 X 2.464 MM (0.755" X 0.097")
19	38H1162	ADAPTER	2		X X	
20	T77932	O-RING	2		X X	15.596 X 1.778 MM (0.614" X 0.070")
21	AH134680	OIL LINE	1		X X	RETURN
22	AH134679	OIL LINE	1		X X	PRESSURE
23	T80306	NUT	2		X X	25.400 MM (1")
24	H125403	PLUG	1		X X	

9H17

RESIDUE DISPOSAL

CHAFF SPREADER (DUAL MOTOR) HOSES AND LINES

(650201-)
HP5288 -UN-01JAN94



HP5288

9H18

RESIDUE DISPOSAL

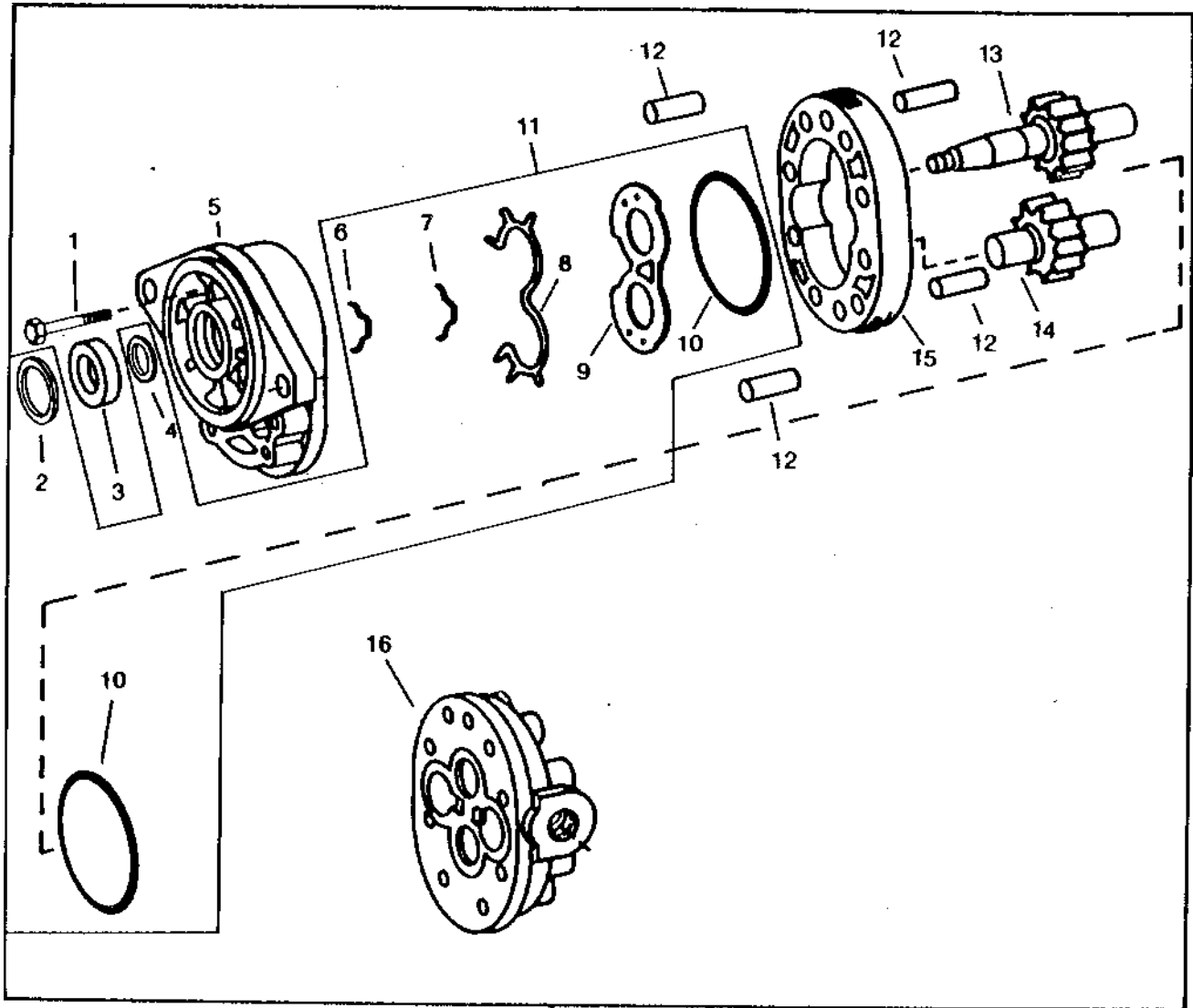
CHAFF SPREADER (DUAL MOTOR) HOSES AND LINES - CONTINUED
(650201-)

KEY	PART NO.	PART NAME	QTY	SERIAL NO.	REMARKS
					S H 9 9 5 5 0 0 0 0
1	AH133948	OIL LINE	1	X X	
2	AH133949	OIL LINE	1	X X	
3	24M7051	WASHER	2	X X	21 X 37 X 3 MM
4	T78716	NUT	2	X X	20.625 MM
5	T77857	O-RING	2	X X	12.421 X 1.778 MM (0.489" X 0.070")
6	19M8039	SCREW	1	X X	M8 X 80
7	H112567	PLATE	1	X X	
8	H122772	CLAMP	2	X X	
9	AH138718	HYDRAULIC HOSE	2	X X	13/16" X 2 800 MM (110-1/4") X 13/16"
10	R26906	O-RING	8	X X	19.177 X 2.464 MM (0.755" X 0.097")
11	38H1162	ADAPTER	3	X X	
12	T77932	O-RING	9	X X	15.596 X 1.778 MM (0.614" X 0.070")
13	T62843	ADAPTER	2	X X	
14	R26375	O-RING	4	X X	16.358 X 2.210 MM (0.644" X 0.087")
15	AH75167	HYD. QUICK-CONNECT COUPLER	2	X X	(INCLUDES INTERNAL O-RING)
16	AR94522	INTERNAL HALF COUPLER	2	X X	
17	AH137986	OIL LINE	1	X X	

9H19

RESIDUE DISPOSAL

CHAFF SPREADER PUMP
HP5085 -UN-01JAN94



HP5085

17

9H20

RESIDUE DISPOSAL

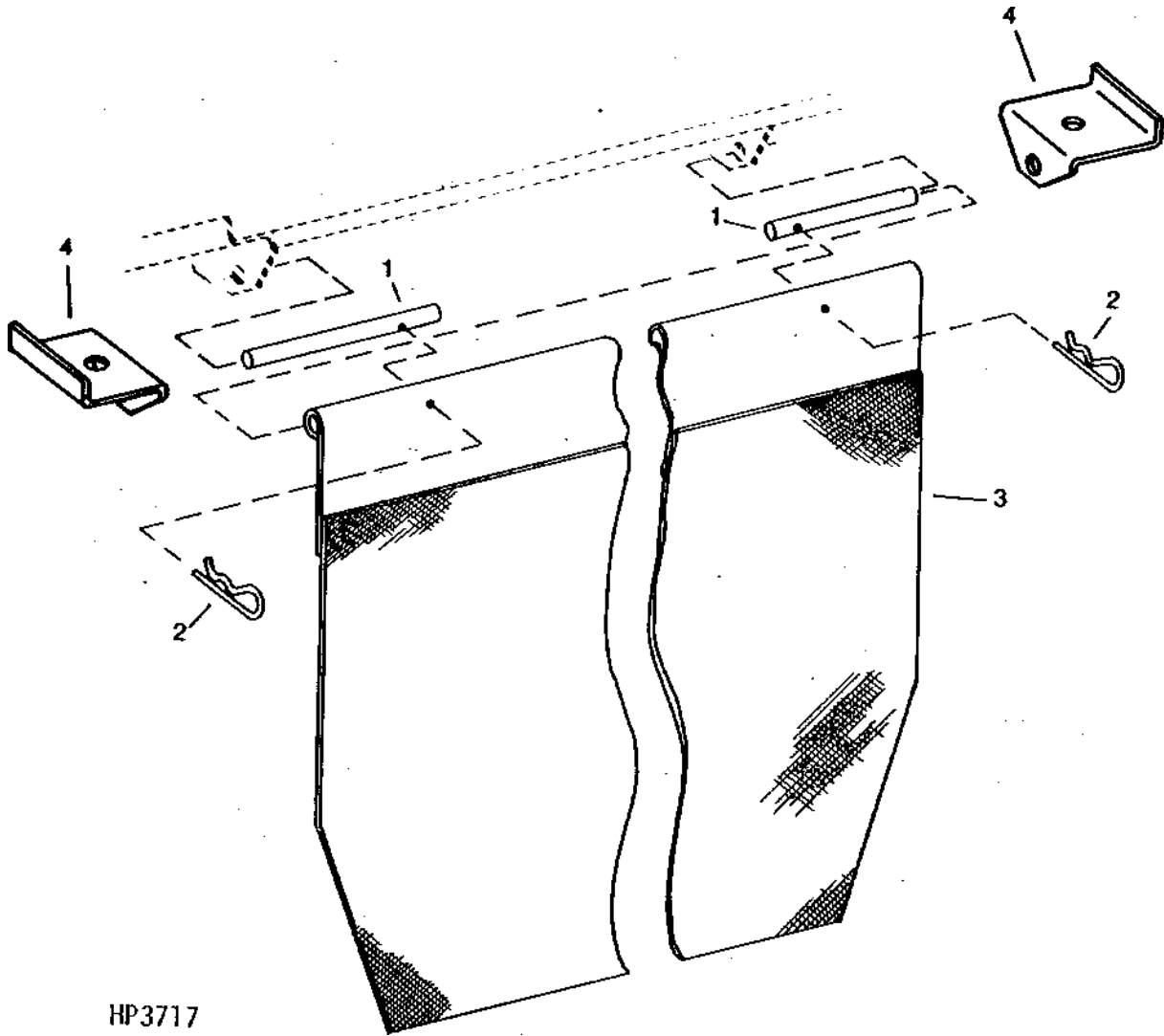
CHAFF SPREADER PUMP - CONTINUED

KEY	PART NO.	PART NAME	QTY	SERIAL NO.	S H 9 9 5 5 0 0 0 0	REMARKS
1	E61791	BOLT	8		X X	7.925 X 69.850 MM (5/16" X 2-3/4")
2	M41029	SNAP RING	1		X X	
3	AH131842	SEAL	1		X X	
4	M48869	WASHER	1		X X	19.215 X 25.337 X 0.813 MM (0.757" X 0.998" X 0.032")
5	PLATE	1		X X	
6	SEAL	1		X X	
7	GASKET	1		X X	
8	GASKET	1		X X	
9	WEAR PLATE	1		X X	
10	H80821	O-RING	2		X X	75.921 X 1.778 MM (2.989" X 0.070")
11	AH131176	SEAL KIT	1		X X	
12	H116213	DOWEL PIN	4		X X	
13	AH134554	GEAR	1		X X	
14	GEAR	1		X X	
15	HOUSING	1		X X	
16	PLATE	1		X X	
17	AH134555	PUMP	1		X X	(CESSNA NO. R25305-RAL) REMANUFACTURED

9H21

RESIDUE DISPOSAL

SPREADER CURTAIN (-641680)
HP3717 -UN-01JAN94



HP3717

9H22

RESIDUE DISPOSAL

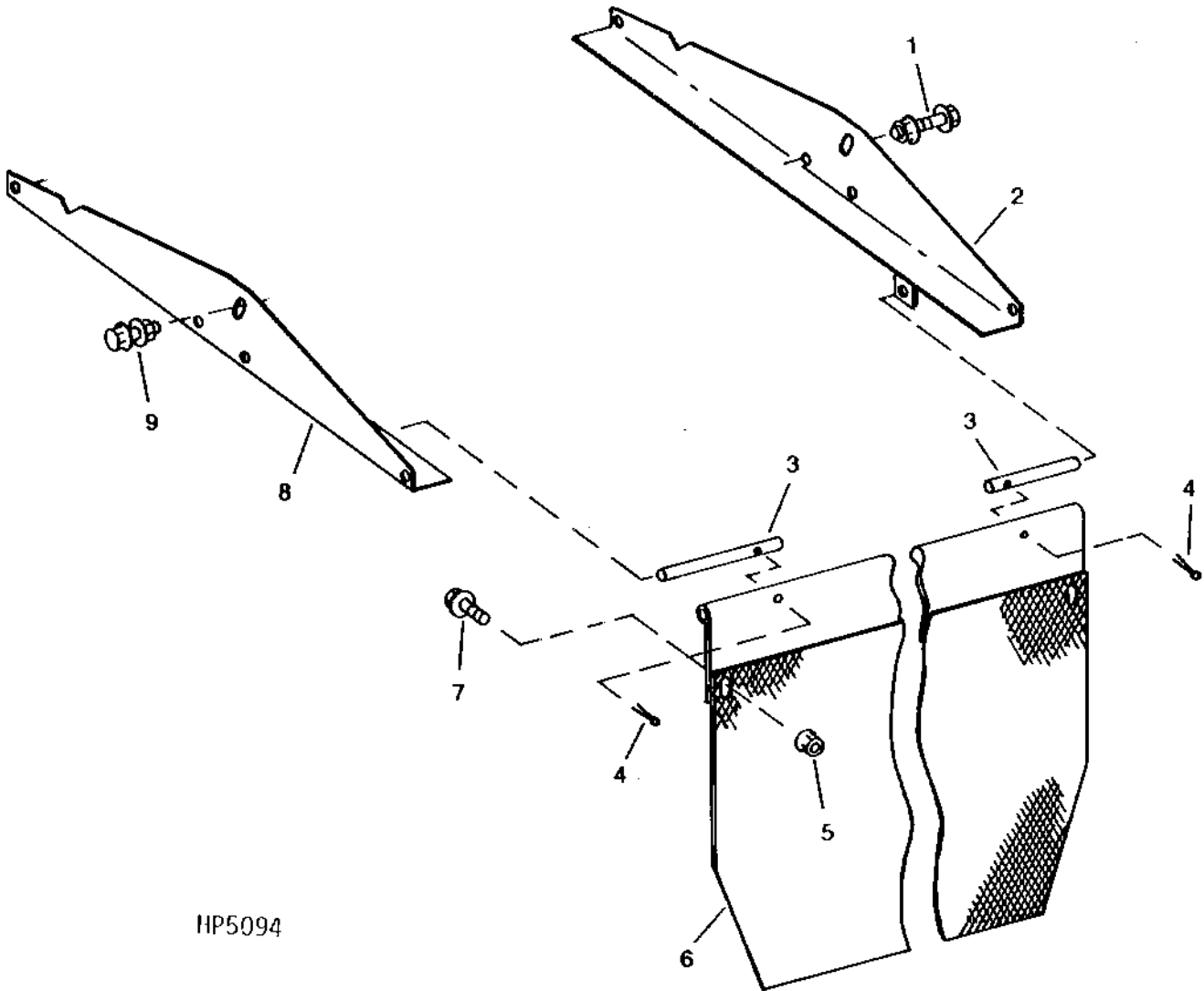
SPREADER CURTAIN (-641680) - CONTINUED

KEY	PART NO.	PART NAME	QTY	SERIAL NO.	S H 9 5 0 0	REMARKS
1	H131865	PIN	2		X	
2	11M7086	COTTER PIN	2		X	2.500 X 50 MM, (SUB FOR 11H229)
3	AH135658	LIMIT CURTAIN	1		X	
4	H135209	BRACKET	2	-641680	X	

9H23

RESIDUE DISPOSAL

SPREADER CURTAIN (641681-)
HP5094 -UN-01JAN94



HP5094

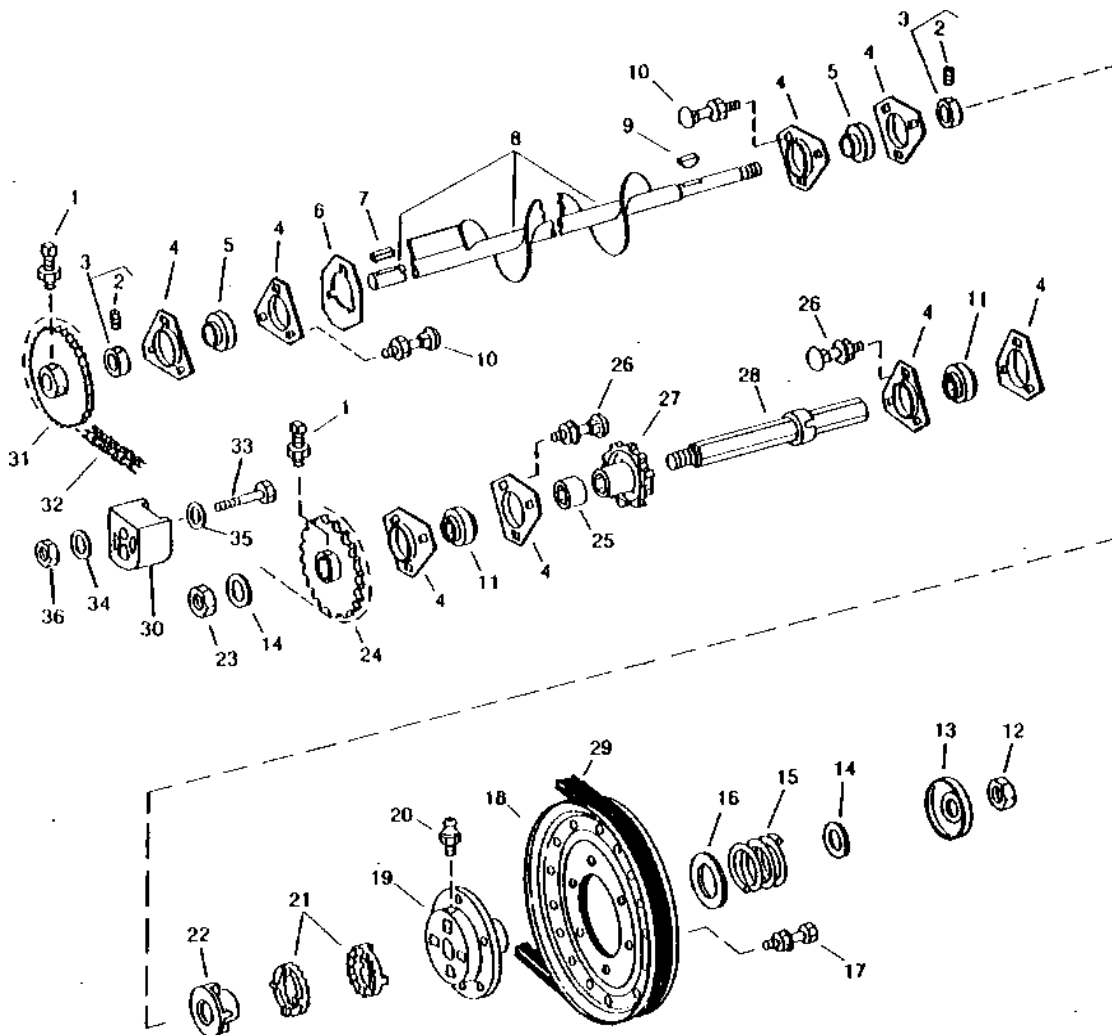
9H24

RESIDUE DISPOSAL

SPREADER CURTAIN (641681-) - CONTINUED

KEY	PART NO.	PART NAME	QTY	SERIAL NO.	S H 9 5 0 0	REMARKS
1	19M7809	SCREW	4		X X	M10 X 70
	14M7296	FLANGE NUT	4		X X	M10
2	AH138971	REINFORCEMENT	1		X X	R.H.
3	H131865	PIN	2		X X	12 X 211 MM (0.472" X 8.307")
4	11M7086	COTTER PIN	2		X X	2.500 X 50 MM
5	14M7298	FLANGE NUT	2		X X	M8
6	AH135658	LIMIT CURTAIN	1		X X	
7	19M7865	SCREW	2		X X	M8 X 16
8	AH138972	REINFORCEMENT	1		X X	L.H.
9	19M7785	SCREW	1		X X	M10 X 25
	14M7296	FLANGE NUT	1		X X	M10

LOWER TAILINGS AUGER, SHAFT AND TIGHTENER
HP5817 -UN-01JAN94

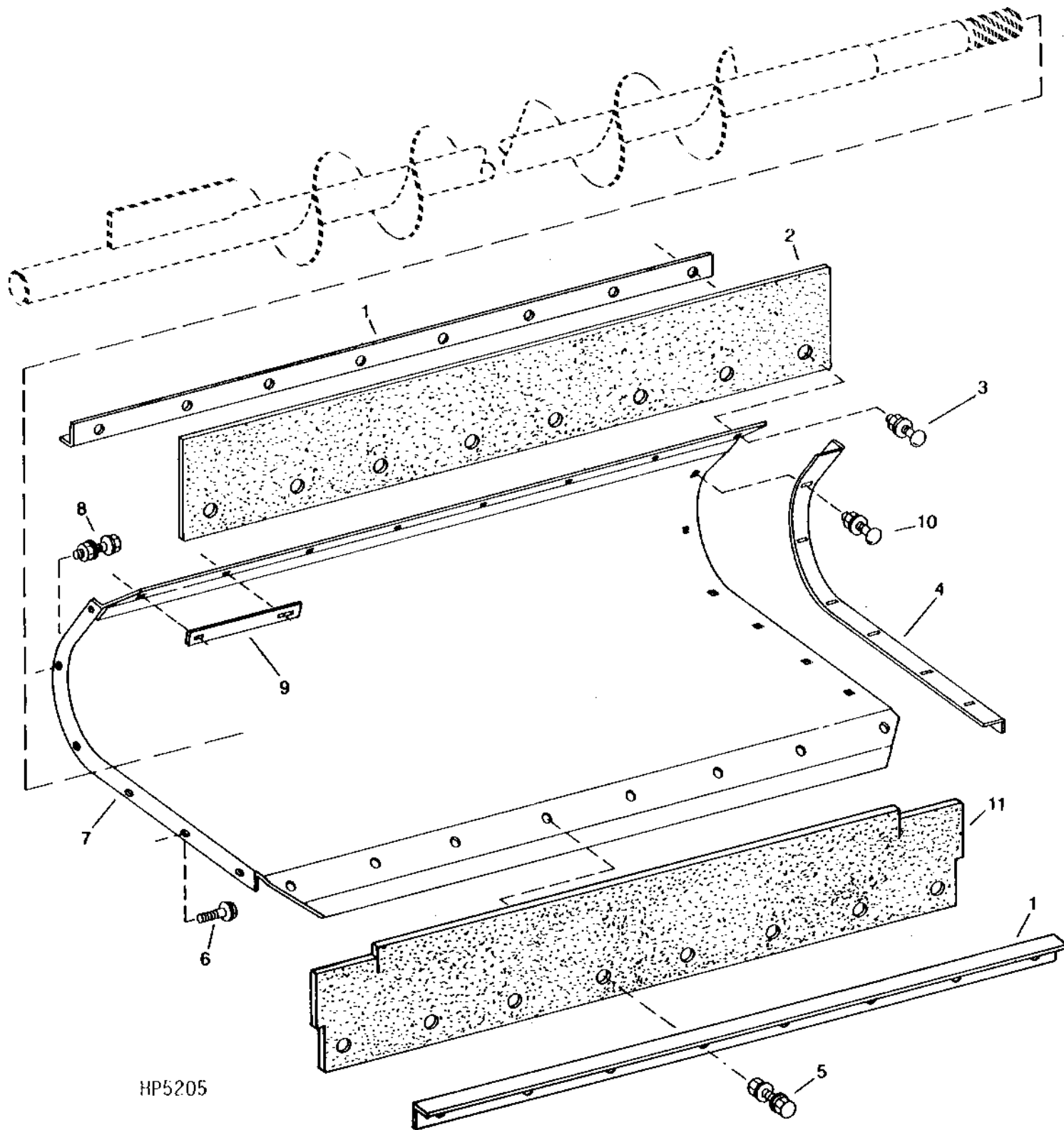


HP5817

LOWER TAILINGS AUGER, SHAFT AND TIGHTENER - CONTINUED

KEY	PART NO.	PART NAME	QTY	SERIAL NO.	S H 9 9 5 5 0 0 0 0	REMARKS
1	H138435	SET SCREW	AR		X X	M10 X 25
	14M7274	NUT	AR		X X	M10
2	22M7080	SET SCREW	2		X X	M8 X 8
3	AZ10045	ECCENTRIC LOCKING COLLAR	2		X X	
4	E10018	PRESSED FLANGED HOUSING	AR		X X	
5	JD39103	BALL BEARING	2		X X	
6	H132906	PLATE	1		X X	
7	SHAFT KEY	1		X X	8 X 7 X 40 MM (IN AH141142 KEY STOCK KIT)(CUT FROM H150269)
8	AH146322	AUGER	1		X X	(SUB FOR AH126206 OR AH140213) (LOWER)
9	26H82	SHAFT KEY	1		X X	6.350 X 22.225 MM (1/4" X 7/8") (SUB FOR 26H19)
10	03M7191	BOLT	AR		X X	M10 X 25
	14M7296	FLANGE NUT	AR		X X	M10
11	JD9313	BALL BEARING	2		X X	
12	14M7300	FLANGE NUT	1		X X	M20
13	AH126677	CAP	1		X X	
14	24M7051	WASHER	2		X X	21 X 37 X 3 MM
15	J21022	SPRING	1		X X	
16	24M7176	WASHER	1		X X	56 X 72 X 3 MM
17	19M7867	SCREW	AR		X X	M8 X 25
	14M7298	FLANGE NUT	AR		X X	M8
18	AH126388	SHEAVE	1		X X	270 MM (10-1/2") DIA.
19	H97574	HUB	1		X X	
20	JD7797	LUBRICATION FITTING	1		X X	1/4" STRAIGHT
21	H128265	SLIP CLUTCH	2		X X	
22	H85015	HUB	1		X X	
23	A31870	LOCK NUT	1		X X	M20, (SUB FOR 14M7340)
24	AH130572	CHAIN SPROCKET	1		X X	18-TOOTH
25	H134605	SPACER	1		X X	
26	03M7190	BOLT	AR		X X	M10 X 20
	14M7296	FLANGE NUT	AR		X X	M10
27	H134603	CHAIN SPROCKET	1		X X	8-TOOTH
28	AH130570	SHAFT	1		X X	LOWER CONVEYOR
29	N110085	BELT	1		X X	
30	H136582	TIGHTENER	1		X X	
31	AH121047	CHAIN SPROCKET	1		X X	18-TOOTH
32	AH126239	ROLLER CHAIN	1		X X	ROLLER, TYPE 50
33	03M7245	BOLT	1		X X	M8 X 55
34	24M7207	WASHER	1	656243-	X X	8.400 X 24 X 2 MM (0.331" X 0.945" X 0.079")
35	H75716	LOCK WASHER	1	656243-	X X	13.220 MM (0.520")
36	14M7298	FLANGE NUT	1		X X	M8

LOWER TAILINGS AUGER TROUGH
HP5205 -UN-01JAN94



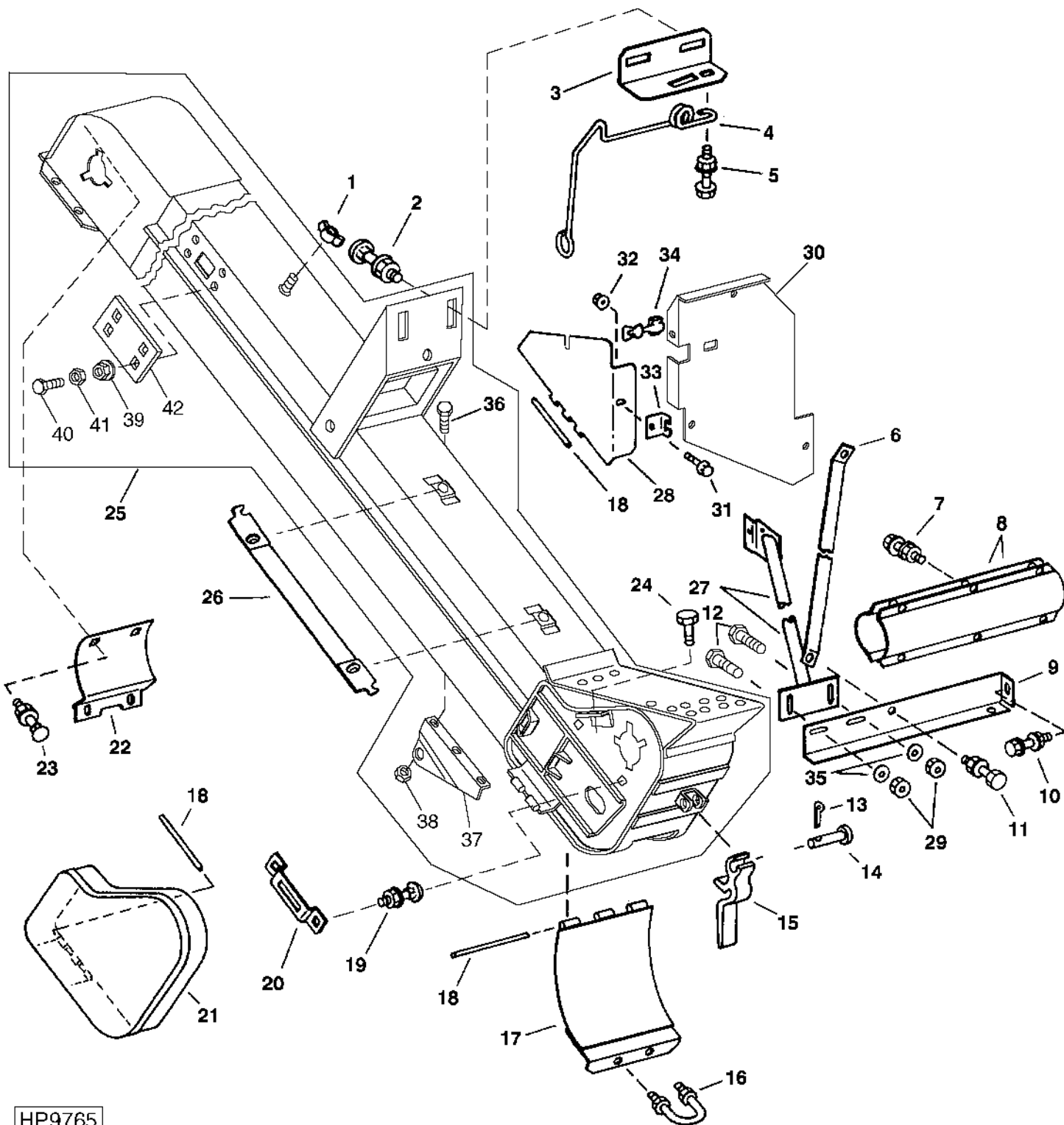
HP5205

LOWER TAILINGS AUGER TROUGH - CONTINUED

KEY	PART NO.	PART NAME	QTY	SERIAL NO.	S H 9 5 0 0	REMARKS
1	H134308	REINFORCEMENT	2		X X	
2	H134314	STRAP	1		X X	FRONT
3	03M7184	BOLT	AR	-660365	X X	M8 X 20
	19M7865	SCREW	AR	660366-	X X	M8 X 16
	14M7298	FLANGE NUT	AR		X X	M8
4	H134317	SUPPORT	1		X X	
5	19M7865	SCREW	AR		X X	M8 X 16
	14M7298	FLANGE NUT	AR		X X	M8
6	19M7866	SCREW	2		X X	M8 X 20
7	AH138655	TROUGH	1		X X	(SUB FOR AH131741)
8	19M7866	SCREW	4		X X	M8 X 20
	14M7298	FLANGE NUT	4		X X	M8
9	H137585	STRAP	1		X X	
10	03M7183	BOLT	AR		X X	M8 X 16
	14M7298	FLANGE NUT	AR		X X	M8
11	H147660	SEAL	1	646100-	X X	REAR

TAILINGS ELEVATOR HOUSING

HP9765 -UN-24MAY00



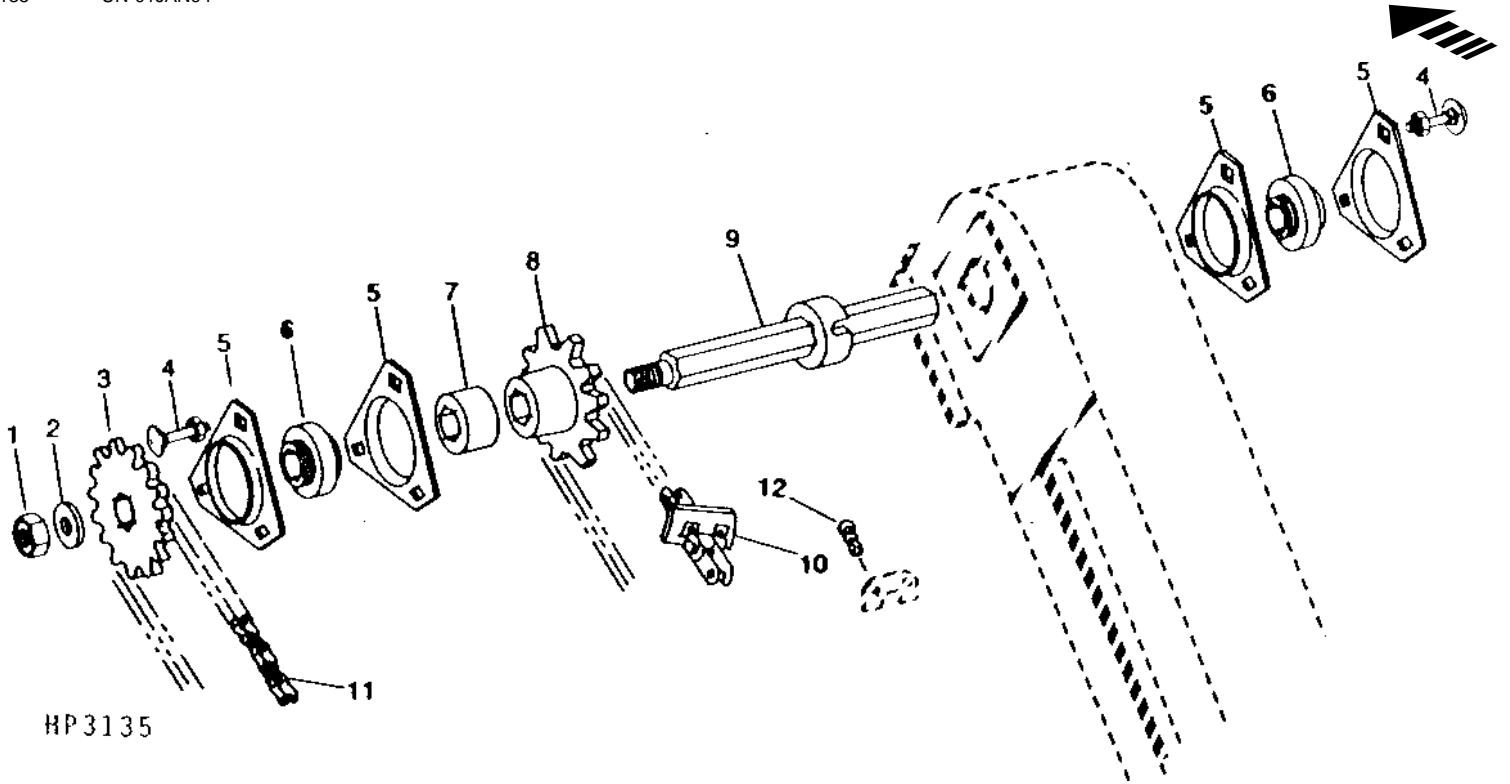
HP9765

TAILINGS ELEVATOR HOUSING - CONTINUED

KEY	PART NO.	PART NAME	QTY	SERIAL NO.	S H 9 5 0 0	REMARKS
1	14M7020	WING NUT	1		X X	M8
2	19M7784	SCREW	2		X X	M10 X 20
	14M7296	FLANGE NUT	2		X X	M10
3	H132708	BRACKET	1		X X	
4	H130930	SPRING	1		X X	
5	19M7784	SCREW	1		X X	M10 X 20
	14M7296	FLANGE NUT	1		X X	M10
6	H136047	SUPPORT	1	-643457	X	
	H146536	SUPPORT	1	643458-	X X	
7	19M7868	SCREW	AR		X X	M8 X 30
	14M7298	FLANGE NUT	AR		X X	M8
8	H136054	HOUSING	2		X X	SOLID
	H136055	HOUSING	2		X X	PERFORATED
9	H130667	SUPPORT	1		X X	(SUB H171006)
	H171006	SUPPORT	1		X X	
10	19M7785	SCREW	2		X X	M10 X 25
	14M7296	FLANGE NUT	2		X X	M10
11	19M7865	SCREW	1		X X	M8 X 16
	14M7298	FLANGE NUT	1		X X	M8
12	19M7785	SCREW	2		X X	M10 X 25
13	11M7081	COTTER PIN	1		X X	2.500 X 20 MM
14	RV810A	PIN	1		X X	
15	H101297	LEVER	1		X X	
16	H105519	U-BOLT	1		X X	
	24M7139	WASHER	2		X X	6.400 X 18 X 1.600 MM
	14M7397	LOCK NUT	2		X X	M6
17	AH130892	DOOR	1		X X	SOLID
	AH130893	DOOR	1		X X	PERFORATED
18	H76083	PIN	3		X X	CUT TO LENGTH
19	03M7184	BOLT	2		X X	M8 X 20
	14M7298	FLANGE NUT	2		X X	M8
20	H130661	BRACKET	1		X X	
21	AH130886	SHIELD	1		X X	
22	H134826	DEFLECTOR	1	-650200	X X	
	H147846	DEFLECTOR	1	650201-	X X	
23	03M7183	BOLT	2		X X	M8 X 16
	14M7298	FLANGE NUT	2		X X	M8
24	19M7865	SCREW	1		X X	M8 X 16
25	AH169233	KIT	1		X X	COMPLETE TAILINGS ELEVATOR HOUSING, (SUB FOR AH131808, AH137288, AH136239, AH141573 OR AH156177)
26	H149997	GRIP	1		X X	(SUB FOR AH131213)
27	AH142163	SUPPORT	1		X X	(SUB FOR AH132855)
28	H152086	SHIELD	1	-29SEP7	X X	(SUB FOR H141547)
	H160715	SHIELD	1	29SEP7-	X X	UPPER DOOR
29	14M7296	FLANGE NUT	2		X X	M10
30	H141548	SHIELD	1	-643457	X	
	H154959	SHIELD	1	643458-	X X	(SUB FOR H146537)
31	19M7775	SCREW	1		X X	M6 X 16
32	14M7303	FLANGE NUT	1		X X	M6
33	H141549	CLAMP	1	640201-	X X	
34	A44990	LATCH	1	640201-	X X	
35	H129716	WASHER	2	-647157	X X	17 X 58 X 8 MM
	24M7239	WASHER	2	647158-	X X	10.700 X 21 X 2.500 MM
36	19M7866	SCREW	3		X X	M8 X 20
37	H158736	PLATE	1		X X	
38	14M7298	FLANGE NUT	3		X X	M8
39	M80082	NUT	8		X X	
40	03M7221	BOLT	8		X X	M6 X 16
41	14M7303	FLANGE NUT	8		X X	M6
42	H168019	COVER	2		X X	
..	H149099	DECAL	1		X X	
..	BH71710	COMPLETE GOODS/SHIP. BUNDLE	1		X X	PERFORATED DOORS

TAILINGS ELEVATOR CONVEYOR CHAIN, SPROCKETS AND BEARINGS

HP3135 -UN-01JAN94

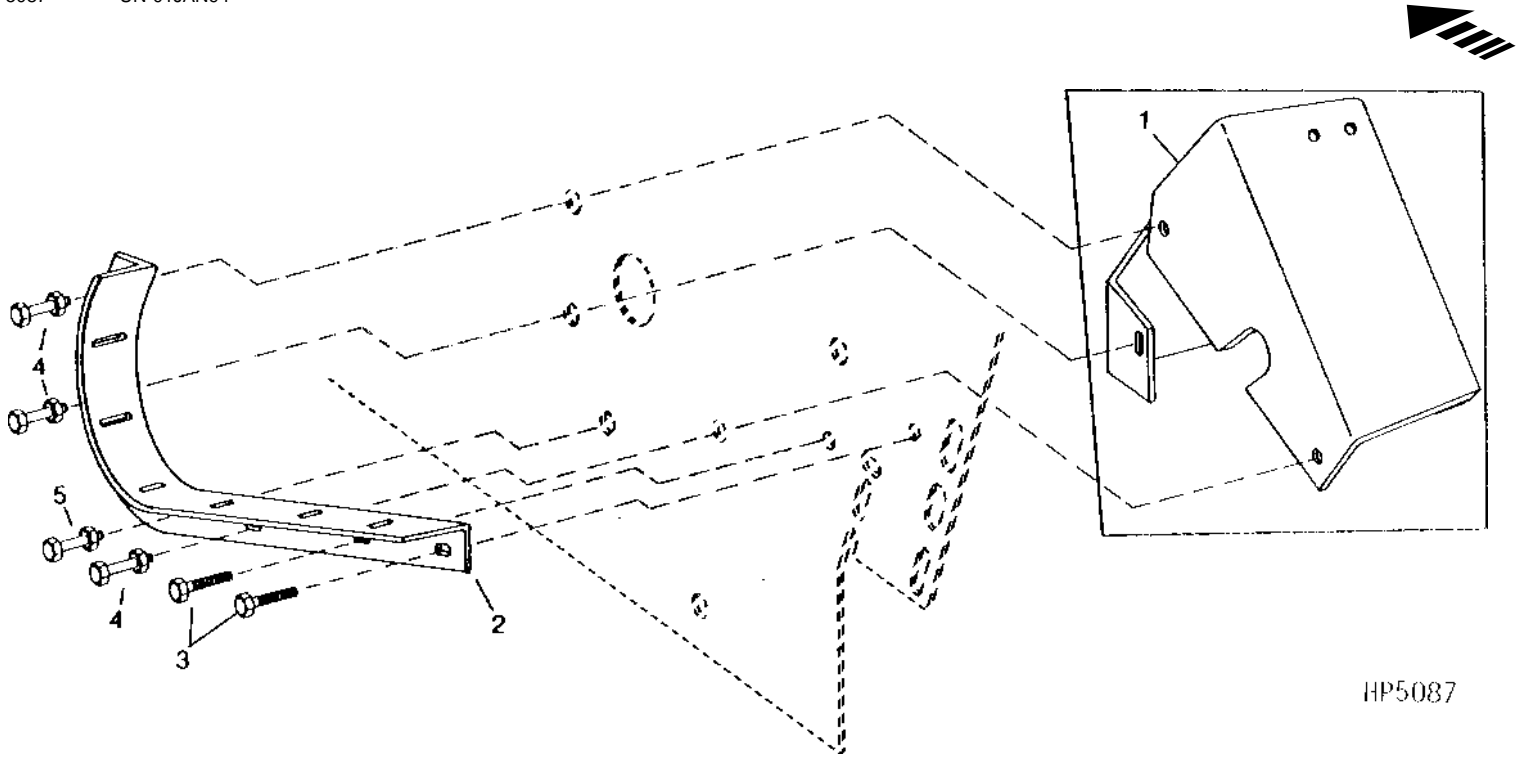


HP3135

KEY	PART NO.	PART NAME	QTY	SERIAL NO.	S	H	REMARKS
					9	9	
					5	5	
					0	0	
					0	0	
1	14M7277	NUT	1		X	X	M20
2	24M7277	WASHER	1		X	X	21 X 60 X 4 MM
3	AH130571	CHAIN SPROCKET	1		X	X	30 TOOTH, DRIVE
4	03M7190	BOLT	AR		X	X	M10 X 20
	14M7296	FLANGE NUT	AR		X	X	M10
5	E10018	PRESSED FLANGED HOUSING	4		X	X	
6	JD9313	BALL BEARING	2		X	X	
7	H134606	SPACER	1		X	X	
8	H134603	CHAIN SPROCKET	1		X	X	8 TOOTH (CONVEYOR)
9	AH130570	SHAFT	1		X	X	UPPER CONVEYOR
10	AH131074	LINK CHAIN	1		X	X	(CA550 ROLLER CHAIN) (25 PADDLES)
	AH137631	CHAIN LINK	1		X	X	(SUB FOR C10233) ROLLER
	C10233	CHAIN LINK	1		X	X	(SUB AH137631) OFFSET
	AC11779	PIN	1		X	X	
	C10263	TRACK CHAIN W/O SHOES	1		X	X	COUPLER
	AC14974	PIN	1		X	X	
	H135235	PADDLE	25		X	X	RUBBER
	H86760	PADDLE	1		X	X	STEEL CLEANING
	AH87765	CHAIN LINK	25		X	X	
	AH158635	CHAIN LINK	1	29SEP7-	X	X	
11	ROLLER CHAIN	1		X	X	ROLLER, TYPE 50, 16MM (5/8") PITCH, 124 LINKS , (ASSEMBLE FROM AH18482 OR AP2245 AND (1) P20351)
12	AH86897	BOLT	AR		X	X	(REPLACES RIVETS) (INCLUDES (1) H85934, (1) 12H302 AND (1) 14H786)

LOWER TROUGH SUPPORT AND TAILINGS DRIVE BRACKET

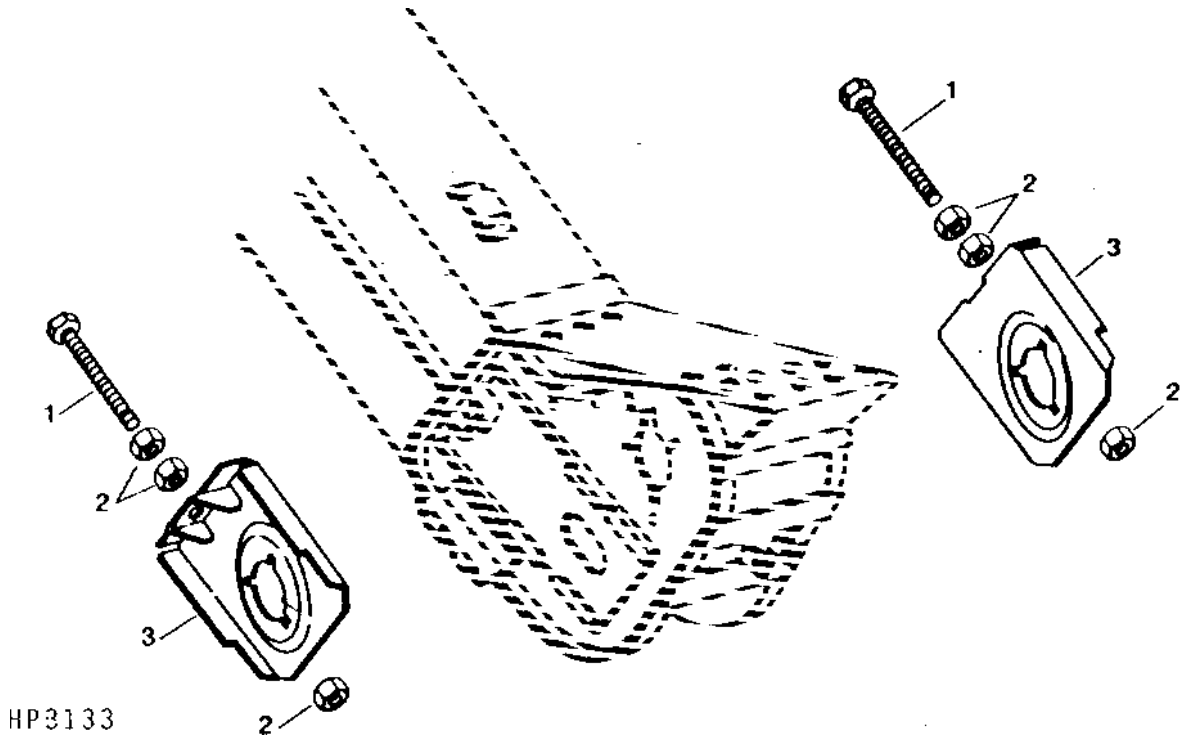
HP5087 -UN-01JAN94



HP5087

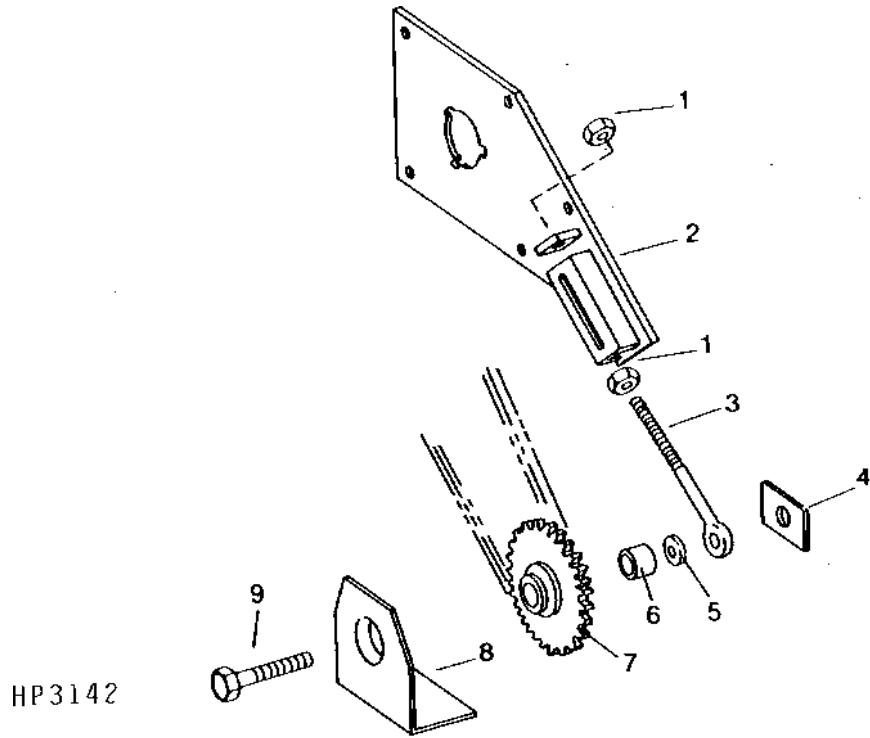
KEY	PART NO.	PART NAME	QTY	SERIAL NO.	S H 9 5 0 0	REMARKS
1	AH131080	BRACKET	1	-638898	X	NOW WELDED ON SIDE SHEET
2	H134317	SUPPORT	1		X X	
3	19M7866	SCREW	2		X X	M8 X 20
4	19M7867	SCREW	3		X X	M8 X 25
	14M7298	FLANGE NUT	3		X X	M8
5	19M7866	SCREW	1		X X	M8 X 20
	14M7298	FLANGE NUT	1		X X	M8

LOWER TAILINGS AUGER CHAIN TIGHTENER
 HP3133 -UN-01JAN94



KEY	PART NO.	PART NAME	QTY	SERIAL NO.	REMARKS
				S	
				H	
				9	
				5	
				0	
				0	
1	19M7596	CAP SCREW	2	X X	M16 X 160
2	14M7276	NUT	6	X X	M16
3	AH130884	BRACKET	2	X X	

UPPER TAILINGS DRIVE CHAIN TIGHTENER
HP3142 -UN-01JAN94



HP3142

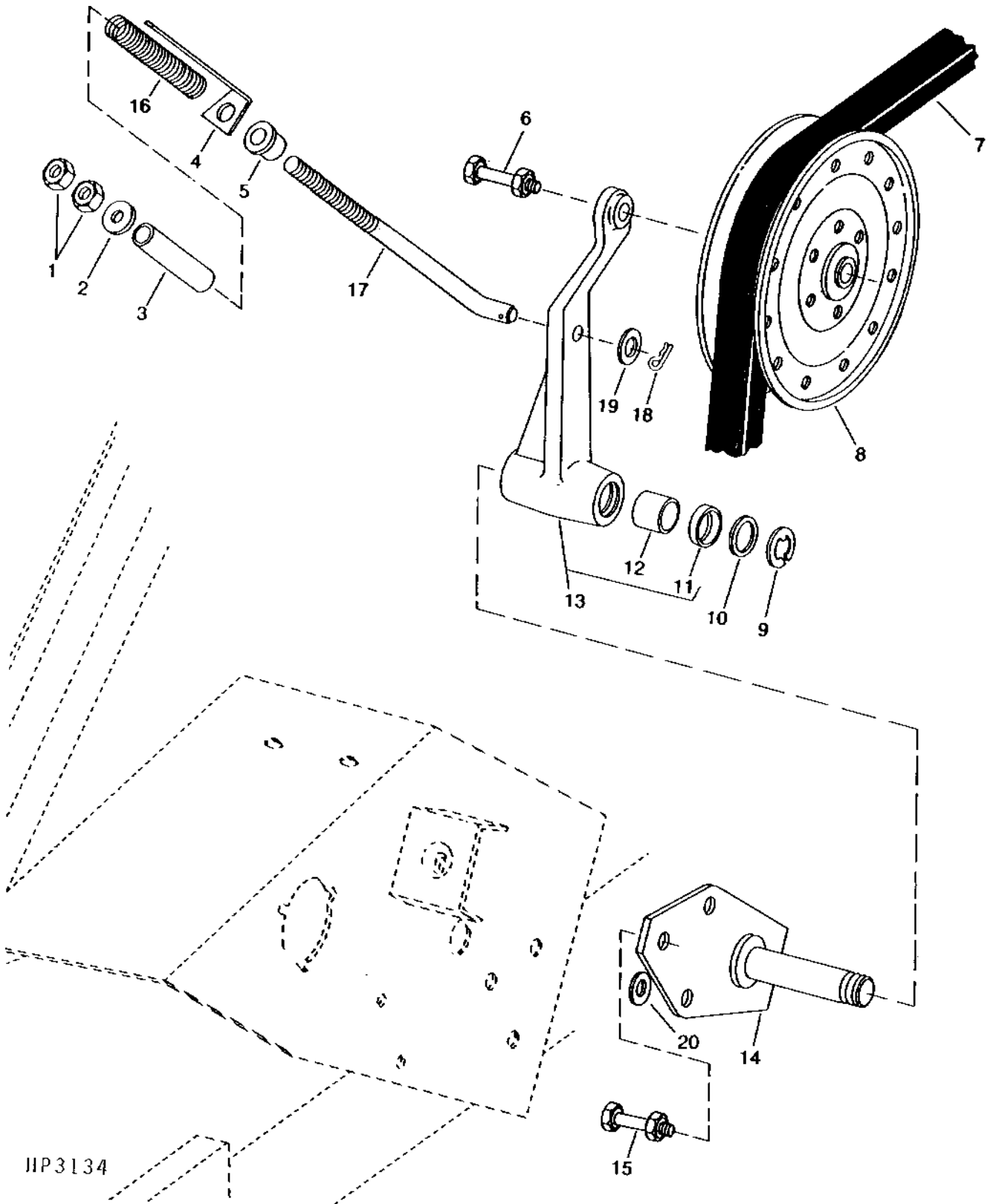
KEY	PART NO.	PART NAME	QTY	SERIAL NO.	S	H	REMARKS
					9	9	
					5	5	
					0	0	
					0	0	
1	14H1040	NUT	2		X	X	1/2"
2	AH128664	SUPPORT	1		X	X	IDLER
3	H130956	EYEBOLT	1		X	X	
4	H130957	NUT	1		X	X	
5	24M7047	WASHER	1		X	X	13 X 24 X 2.500 MM
6	28H1597	WASHER	1		X	X	0.546" X 0.840" X 3/8"
7	AH98176	CHAIN SPROCKET	1		X	X	17 TOOTH
8	H133031	SHIELD	1		X	X	
9	19M7363	CAP SCREW	1		X	X	M12 X 60

9111

RESIDUE DISPOSAL

LOWER TAILINGS AUGER DRIVE TIGHTENER

HP3134 -UN-01JAN94

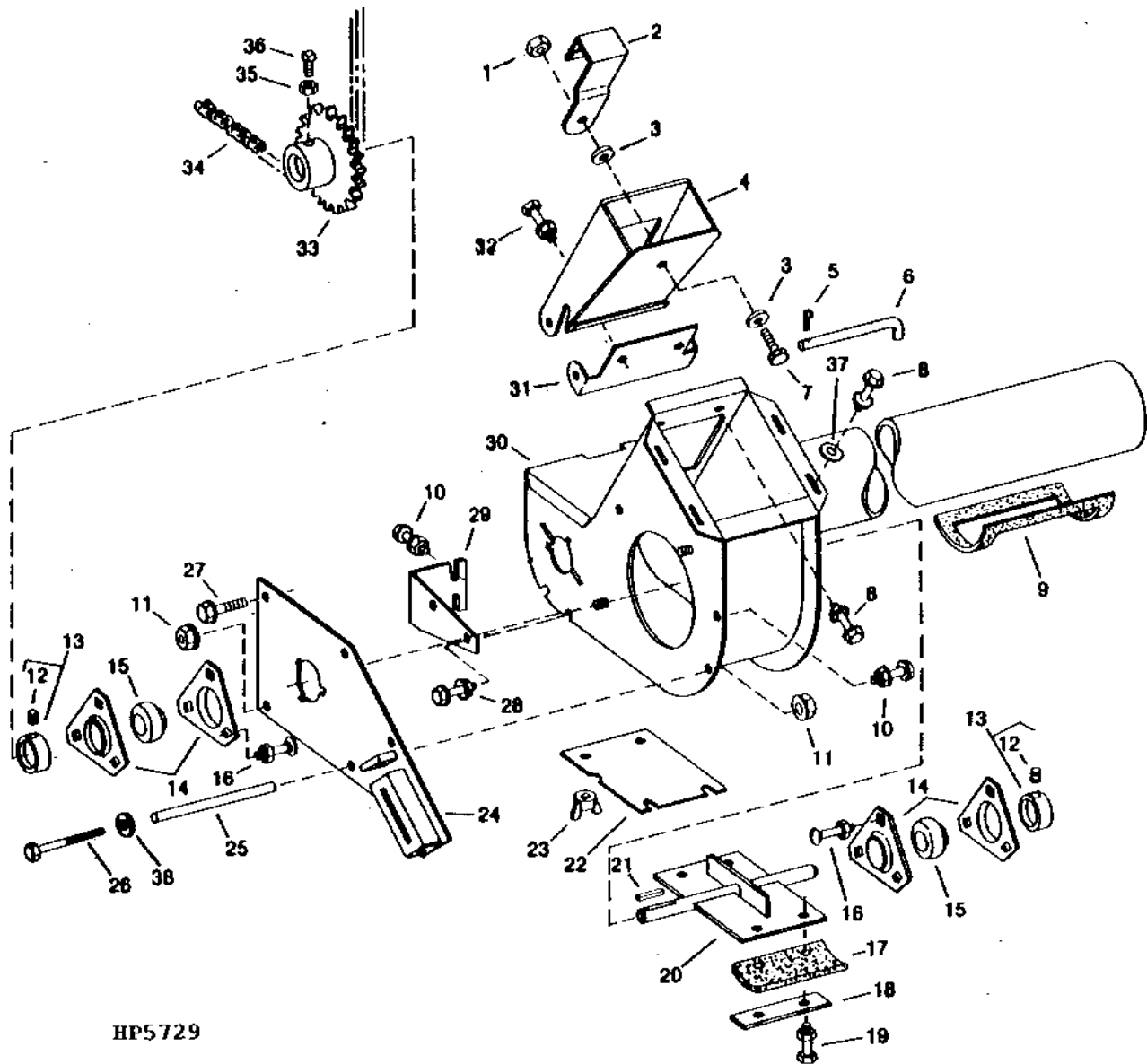


HP3134

LOWER TAILINGS AUGER DRIVE TIGHTENER - CONTINUED

KEY	PART NO.	PART NAME	QTY	SERIAL NO.	S H 9 5 0 0	REMARKS
1	14M7275	NUT	2		X X	M12
2	24M7180	WASHER	1		X X	13 X 37 X 3 MM
3	TY22326	BULK HOSE	1		X X	CUT TO LENGTH
4	H127872	GAUGE	1		X X	
5	H129207	PIVOT	1		X X	
6	19M7824	SCREW	1		X X	M16 X 60
	14M7291	FLANGE NUT	1		X X	M16
7	N110085	BELT	1		X X	
8	AH85276	PULLEY	1	-640200	X	
	AH97031	IDLER	1	640201-	X X	
9	P46402	SNAP RING	1		X X	
10	24M7091	WASHER	1		X X	26 X 44 X 4 MM
11	AA5607R	SEAL	2		X X	
12	H99147	BUSHING	2		X X	(SUB H171061)
	H171061	BEARING	2		X X	
13	AH126865	ARM	1		X X	ELEVATOR DRIVE
14	AH156051	SPRING PIN	1		X X	(SUB FOR AH109197)
15	19M7785	SCREW	3		X X	M10 X 25
	14M7296	FLANGE NUT	3		X X	M10
16	H26552	SPRING	1		X X	
17	H118948	HOOK BOLT	1		X X	IDLER
18	11M7021	COTTER PIN	1		X X	4 X 25 MM
19	24M7047	WASHER	1		X X	13 X 24 X 2.500 MM
20	24M7178	WASHER	AR		X X	10.500 X 30 X 2.500 MM

UPPER TAILINGS AUGER HOUSING AND PADDLE ASSEMBLY
HP5729 -UN-01JAN94



HP5729

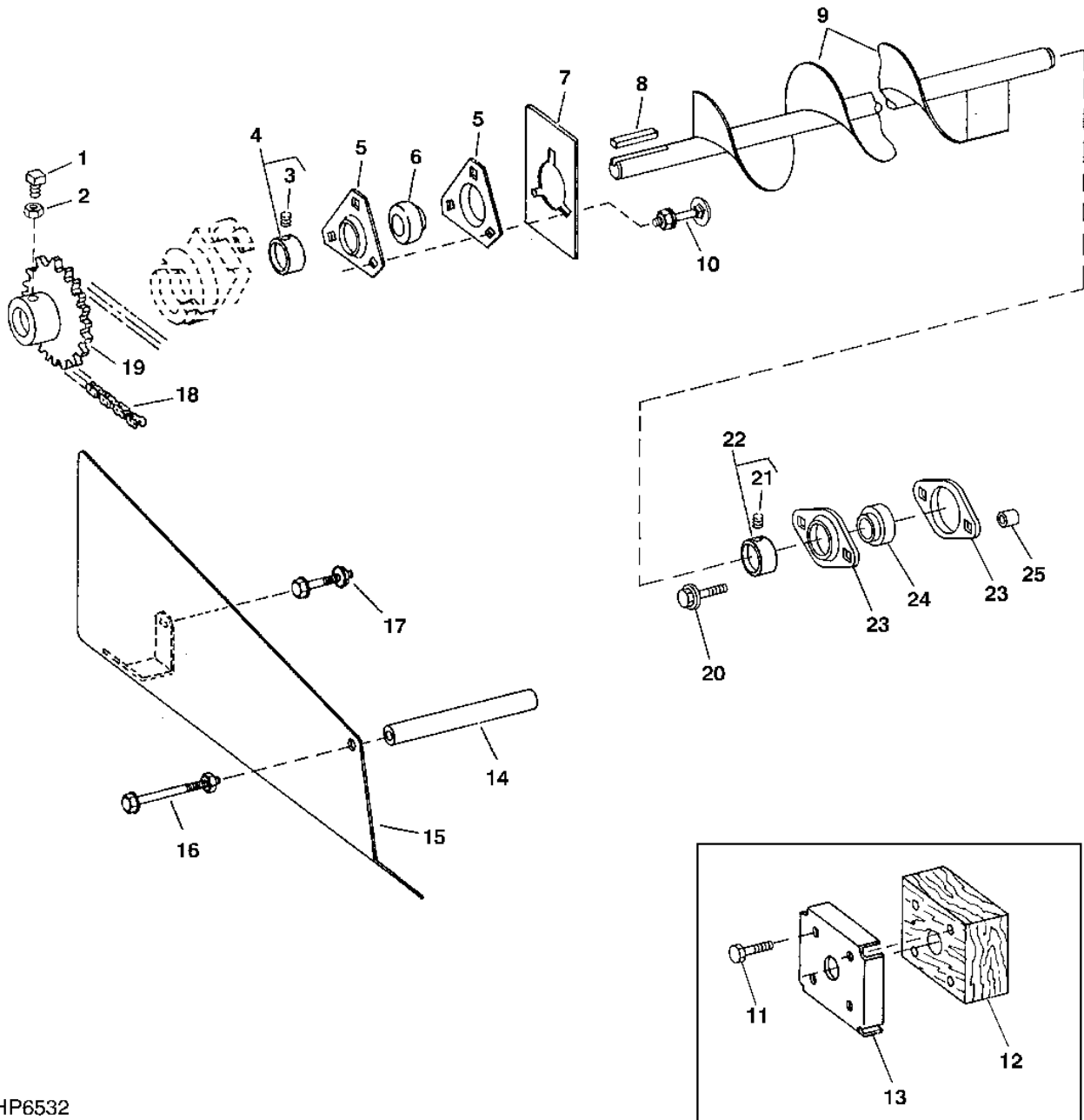
UPPER TAILINGS AUGER HOUSING AND PADDLE ASSEMBLY - CONTINUED

KEY	PART NO.	PART NAME	QTY	SERIAL NO.	S H 9 9 5 5 0 0 0 0	REMARKS
1	14M7397	LOCK NUT	1		X X	M6
2	H133541	LATCH	1		X X	
3	24M7139	WASHER	2		X X	6.400 X 18 X 1.600 MM
4	AH130136	DOOR	1		X X	
5	J16931	SPRING LOCKING PIN	1		X X	
6	H134068	PIN	1		X X	
7	19M7774	SCREW	1		X X	M6 X 12
8	19M7865	SCREW	AR		X X	M8 X 16
	14M7298	FLANGE NUT	AR		X X	M8
9	H126828	SEAL	1	-637409	X	
	H143735	SEAL	1	637410-	X X	
10	19M7866	SCREW	3		X X	M8 X 20
	14M7298	FLANGE NUT	3		X X	M8
11	14M7298	FLANGE NUT	3		X X	M8
12	22M7080	SET SCREW	2		X X	M8 X 8
13	AZ10045	ECCENTRIC LOCKING COLLAR	2		X X	
14	E10018	PRESSED FLANGED HOUSING	AR		X X	
15	JD39103	BALL BEARING	2		X X	
16	03M7191	BOLT	AR		X X	M10 X 25
	14M7296	FLANGE NUT	AR		X X	M10
17	H131639	PADDLE	2		X X	RUBBER
18	H131638	STRAP	2		X X	
19	19M7868	SCREW	AR		X X	M8 X 30
	14M7396	LOCK NUT	AR		X X	M8
20	AH128663	PADDLE	1		X X	
21	SHAFT KEY	AR		X X	8 X 7 X 40 MM, (CUT FROM H150269)
22	H135309	COVER	1		X X	CLEAN OUT
23	14M7020	WING NUT	AR		X X	M8
24	AH128664	SUPPORT	1		X X	IDLER
25	H140467	BUSHING	1		X X	(SUB FOR 28H3367)
26	19M8404	CAP SCREW	1		X X	M8 X 130
27	19M7864	SCREW	1		X X	M8 X 12
28	19M7862	SCREW	2		X X	M6 X 20
	14M7303	FLANGE NUT	2		X X	M6
29	H133686	SUPPORT	1	-650200	X X	
	H147967	SUPPORT	1	650201-	X X	
30	AH149180	TUBE	1		X X	(SUB FOR AH131085, AH137291, AH137581 OR AH141572)
31	H134065	HINGE	1		X X	
32	19M7865	SCREW	2		X X	M8 X 16
	14M7298	FLANGE NUT	2		X X	M8
33	AH126008	CHAIN SPROCKET	1		X X	30 TOOTH
34	AH126007	ROLLER CHAIN	1		X X	ROLLER, TYPE 50, 124 LINKS
35	14M7274	NUT	2		X X	M10
36	H138435	SET SCREW	2		X X	M10 X 25
37	24M7207	WASHER	4		X X	8.400 X 24 X 2 MM
38	24M7055	WASHER	1		X X	8.400 X 16 X 1.600 MM

9115

RESIDUE DISPOSAL

UPPER TAILINGS AUGER, DRIVE AND SHIELD
HP6532 -UN-23AUG96



HP6532

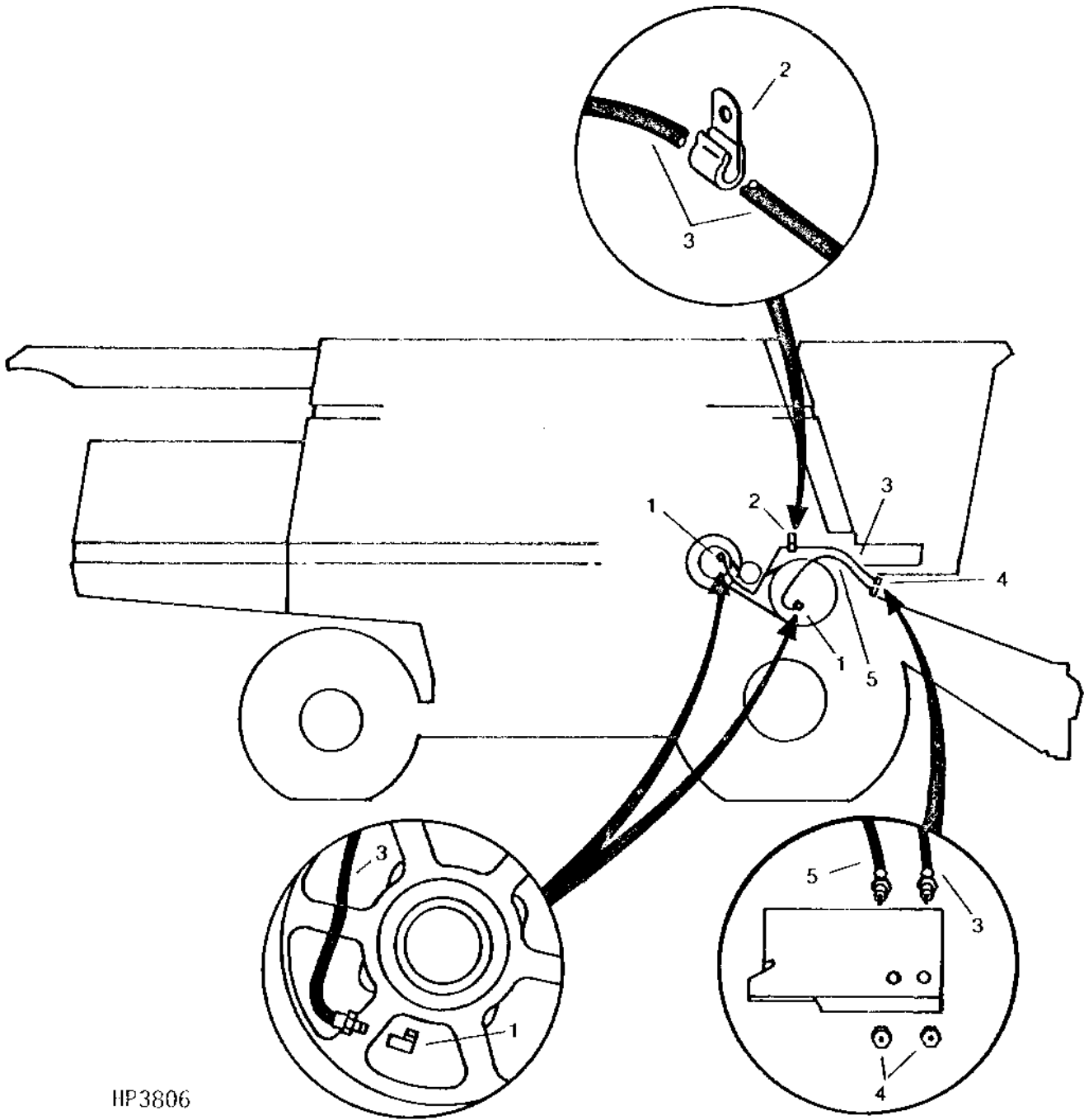
UPPER TAILINGS AUGER, DRIVE AND SHIELD - CONTINUED

KEY	PART NO.	PART NAME	QTY	SERIAL NO.	S H 9 5 0 0	REMARKS
1	H138435	SET SCREW	2		X X	
2	14M7274	NUT	2		X X	M10
3	22M7079	SET SCREW	1		X X	M6 X 6
4	AZ10044	ECCENTRIC LOCKING COLLAR	1		X X	
5	H103264	PRESSED FLANGED HOUSING	2		X X	
6	JD39102	BALL BEARING	1		X X	
7	H148633	END PLATE	1		X X	(SUB FOR H134055)
8	49M4111	SHAFT KEY	1		X X	8 X 7 X 40 MM (IN AH141142 KEY STOCK KIT) (CUT FROM H150269)
9	AH125895	AUGER	1		X X	
10	03M7184	BOLT	AR		X X	M8 X 20
	14M7298	FLANGE NUT	AR		X X	M8
11	37M7102	SCREW	AR		X X	M8 X 40
12	H134962	BEARING	1		X X	(SUB AZ10044, JD39102, (2) M66125, (2) 28H86 AND (2) 37M7084) WOOD, BEARING
13	H134963	RETAINER	1		X X	
14	H140467	BUSHING	1		X X	(SUB FOR 28H3367)
15	AH130982	SHIELD	1	-640200	X X	
	AH160994	SHIELD	1	640201-	X X	(SUB FOR AH135207)
16	19M8262	CAP SCREW	1		X X	M8 X 130
	14M7298	FLANGE NUT	1		X X	M8
17	19M7862	SCREW	1		X X	M6 X 20
	14M7303	FLANGE NUT	1		X X	M6
18	AH126007	ROLLER CHAIN	1		X X	ROLLER, TYPE 50, 124 LINKS
19	AH121046	CHAIN SPROCKET	1		X X	22 TOOTH
20	37M7102	SCREW	2		X X	M8 X 40
21	22M7079	SET SCREW	1		X X	M6 X 6
22	AZ10044	ECCENTRIC LOCKING COLLAR	1		X X	
23	M66125	PRESSED FLANGED HOUSING	2		X X	
24	JD39102	BALL BEARING	1		X X	
25	28H86	WASHER	2		X X	

9117

RESIDUE DISPOSAL

LUBE HOSES, R.H.
HP3806 -UN-01JAN94

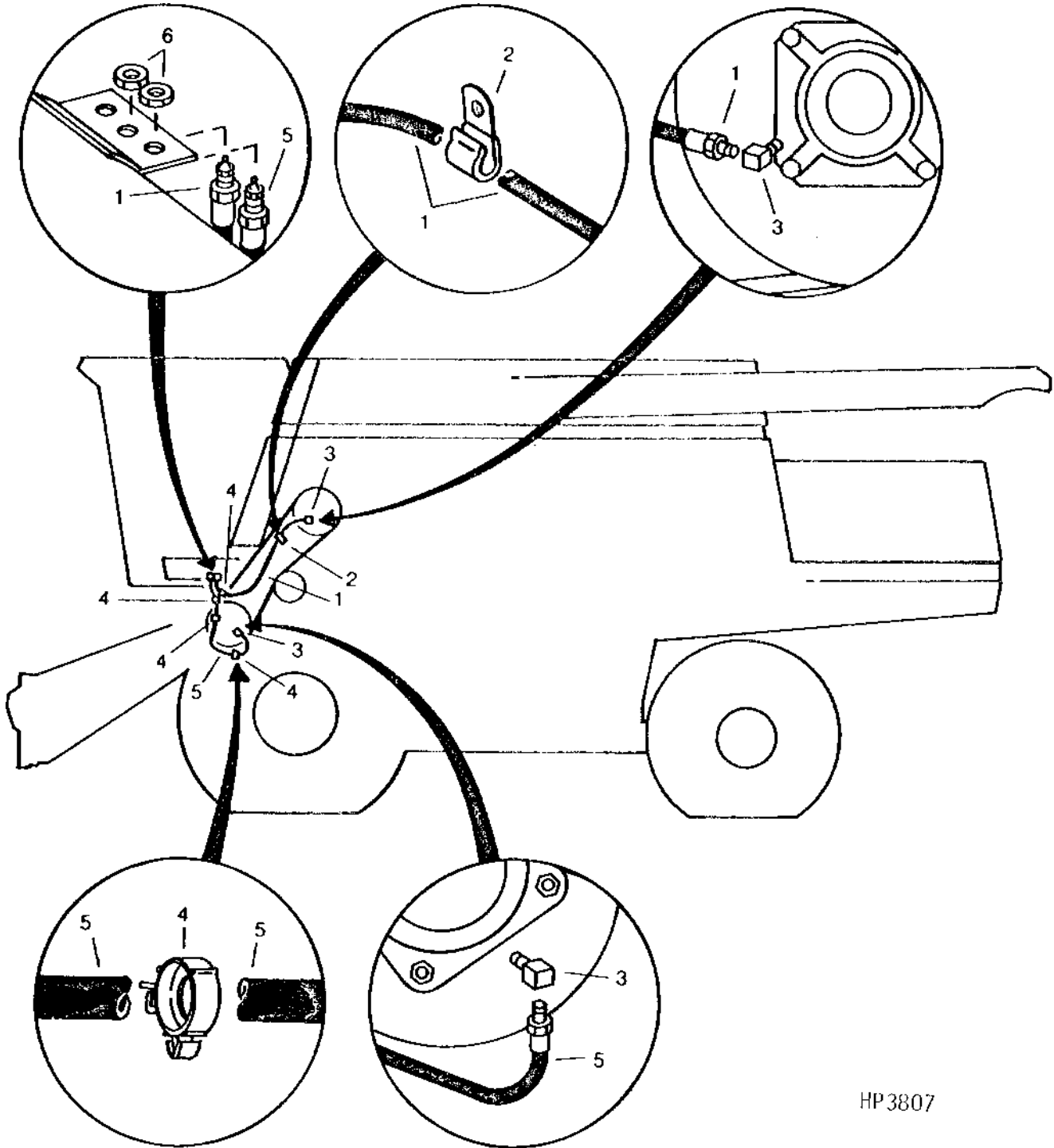


HP3806

LUBE HOSES R.H. - CONTINUED

KEY	PART NO.	PART NAME	QTY	SERIAL NO.	S H 9 9 5 5 0 0 0 0	REMARKS
1	JD7845	ELBOW FITTING	2		X X	
2	AH96317	CLIP	1		X X	
3	AH121007	HOSE	1		X X	1/8" X 1 400 MM (55") X 1/8"
4	E12379	NUT	2		X X	3.175 MM (1/8")
5	AH121009	HOSE	1		X X	1/8" X 910 MM (35-3/4") X 1/8"

LUBE HOSES, L.H.
HP3807 -UN-01JAN94



HP3807

LUBE HOSES L.H. - CONTINUED

KEY	PART NO.	PART NAME	QTY	SERIAL NO.	S H 9 5 0 0	REMARKS
1	AH121009	HOSE	1		X X	1/8" X 910 MM (35-3/4") X 1/8"
2	AH96317	CLIP	1		X X	
3	JD7845	ELBOW FITTING	2		X X	
4	H140149	HOLD-DOWN CLIP	4		X X	
5	AH121009	HOSE	1		X X	1/8" X 910 MM (35-3/4") X 1/8"
6	E12379	NUT	2		X X	3.175 MM (1/8")

9121

RESIDUE DISPOSAL

METRIC KEY STOCK KIT

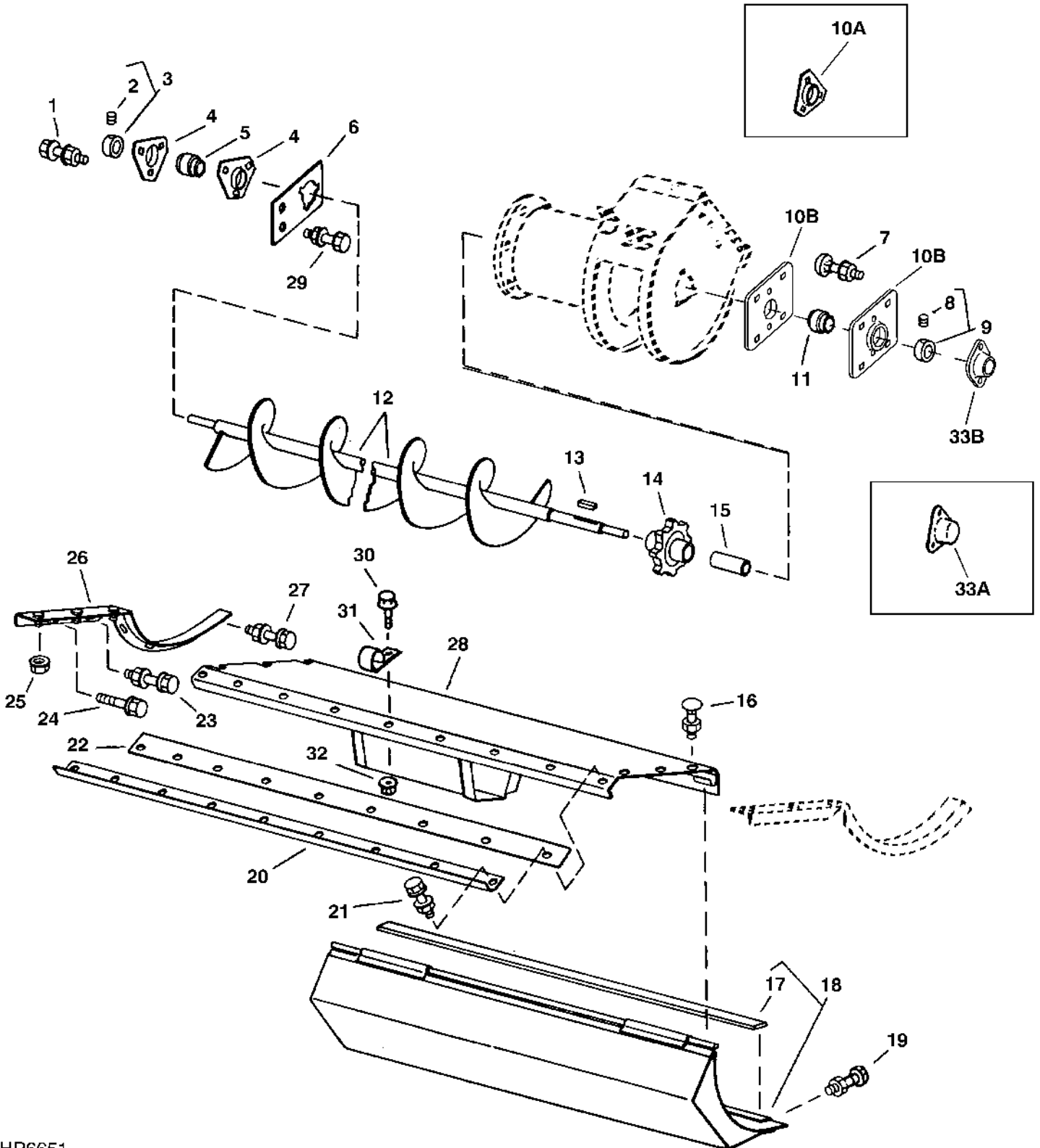
KEY	PART NO.	PART NAME	QTY	SERIAL NO.	S H 9 5 0 0 0 0	REMARKS
..	SHAFT KEY	3	X X		5 X 305MM SQUARE (IN AH141142 KEY STOCK KIT) (CUT FROM H150267)
..	SHAFT KEY	3	X X		6 X 305MM SQUARE (IN AH141142 KEY STOCK KIT) (CUT FROM H150268)
..	SHAFT KEY	1	X X		8 X 305MM SQUARE (IN AH141142 KEY STOCK KIT) (CUT FROM H150275)
..	SHAFT KEY	2	X X		8 X 7 X 305MM RECTANGULAR (IN AH141142 KEY STOCK KIT) (CUT FROM H150269)
..	SHAFT KEY	1	X X		10 X 8 X 305 MM RECTANGULAR (IN AH141142 KEY STOCK KIT) (CUT FROM H150270)
..	SHAFT KEY	1	X X		12 X 8 X 305MM RECTANGULAR (IN AH141142 KEY STOCK KIT) (CUT FROM H150271)
..	SHAFT KEY	1	X X		14 X 8 X 305MM RECTANGULAR (IN AH141142 KEY STOCK KIT) (CUT FROM H150272)
..	AH141142	SHAFT KEY	1	X X		

MEMORANDA

10C4

CLEAN GRAIN ELEVATOR, GRAIN TANK AND UNLOADING AUGER

CLEAN GRAIN LOWER AUGER AND HINGED DOOR
HP6651 -UN-07MAR97



HP6651

10C5

CLEAN GRAIN ELEVATOR, GRAIN TANK AND UNLOADING AUGER

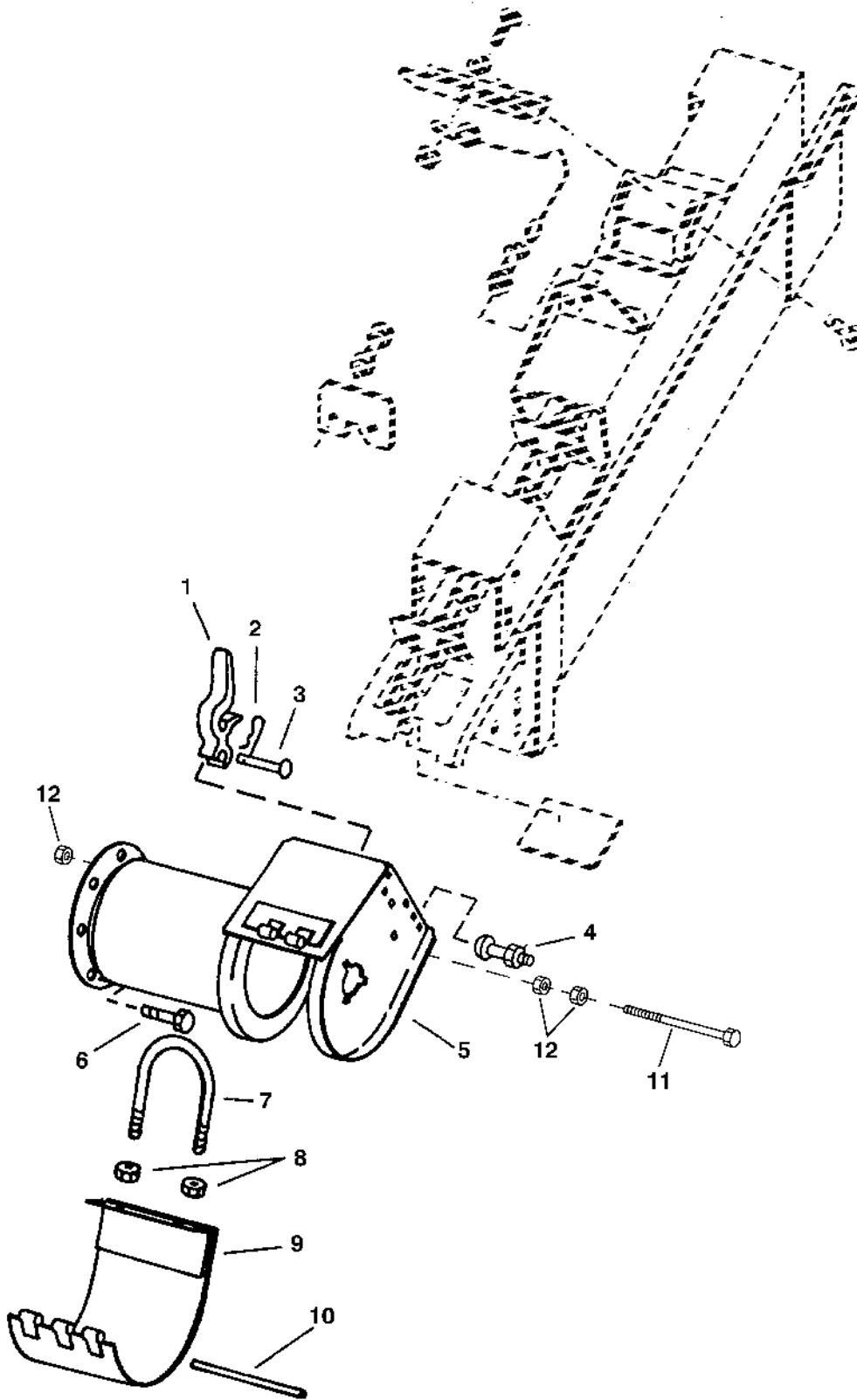
CLEAN GRAIN LOWER AUGER AND HINGED DOOR - CONTINUED

KEY	PART NO.	PART NAME	QTY	SERIAL NO.	S H 9 5 0 0	REMARKS
1	19M7867	SCREW	3		X X	M8 X 25
	14M7298	FLANGE NUT	3		X X	M8
2	22M7079	SET SCREW	1		X X	M6 X 6
3	AZ10044	ECCENTRIC LOCKING COLLAR	1		X X	
4	H103264	PRESSED FLANGED HOUSING	2		X X	
5	JD39102	BALL BEARING	1		X X	
6	H132539	COVER	1		X X	
7	03M7193	BOLT	3		X X	M10 X 35
	Z36140	WASHER	3		X X	10.500 X 16 X 2 MM (0.413" X 0.630" X 0.079")
	14M7296	FLANGE NUT	3		X X	M10
8	22M7080	SET SCREW	1		X X	M8 X 8
9	AZ10045	ECCENTRIC LOCKING COLLAR	1		X X	
10A	E10018	PRESSED FLANGED HOUSING	2	-670200	X X	
10B	H152916	PRESSED FLANGED HOUSING	2	670201-	X X	
11	JD39103	BALL BEARING	1		X X	
12	AH141577	FLIGHT	1		X X	(SUB FOR AH128732 OR AH133373)
13	SHAFT KEY	1		X X	8 X 7 40 MM (IN AH141142 KEY STOCK KIT) (CUT FROM H150269)
14	H133143	CHAIN SPROCKET	1		X X	
15	H150117	SPACER	1		X X	35.737 X 41.275 X 44 MM (1.407" X 1-5/8" X 1.732") (SUB FOR H133654 OR H138592)
16	03M7183	BOLT	3		X X	M8 X 16
	14M7298	FLANGE NUT	3		X X	M8
17	H88773	ISOLATOR	AR		X X	CUT TO 1290 MM, 50-3/4". USE ONLY ON DOOR WITH PROTECTIVE PLATE.
18	AH139388	DOOR	1		X X	(SUB FOR AH117280) SOLID
	AH139389	DOOR	1		X X	(SUB FOR AH117281) PERFORATED
	AH139391	DOOR	1		X X	(SUB FOR AH118251) SOLID WITH PROTECTIVE PLATE
19	19M7799	SCREW	5		X X	M8 X 45
	14M7396	LOCK NUT	5		X X	M8
20	H134308	REINFORCEMENT	1		X X	(SUB FOR H75951)
21	19M7866	SCREW	8		X X	M8 X 20
	14M7298	FLANGE NUT	8		X X	M8
22	H75952	SEAL	1		X X	
23	19M7865	SCREW	2		X X	M8 X 16
	14M7298	FLANGE NUT	2		X X	M8
24	19M7865	SCREW	1		X X	M8 X 16, INTO WELDNUT
25	14M7298	FLANGE NUT	3		X X	M8
26	AH122506	REINFORCEMENT	1		X X	
27	19M7802	SCREW	3		X X	M8 X 65
	14M7298	FLANGE NUT	3		X X	M8
28	AH117277	HINGE	1		X X	
29	19M7865	SCREW	2		X X	M8 X 16
	14M7298	FLANGE NUT	2		X X	M8
30	19M7865	SCREW	1		X X	M8 X 16
31	AH77884	CLIP	1		X X	
32	14M7298	FLANGE NUT	1		X X	M8
33A	Z38380	GUARD	1	-670200	X X	
33B	H155968	COVER	1	670201-	X X	
..	BH71710	COMPLETE GOODS/SHIP. BUNDLE	1		X X	PERFORATED DOORS
..	BH80066	COMPLETE GOODS/SHIP. BUNDLE	1		X X	PLAIN DOOR WITH PROTECTIVE PLATE

10C6

CLEAN GRAIN ELEVATOR, GRAIN TANK AND UNLOADING AUGER

CLEAN GRAIN LOWER ELEVATOR AND CONVEYOR CHAIN
HP6653 -UN-07MAR97



HP6653

10C7

CLEAN GRAIN ELEVATOR, GRAIN TANK AND UNLOADING AUGER

CLEAN GRAIN LOWER ELEVATOR AND CONVEYOR CHAIN - CONTINUED

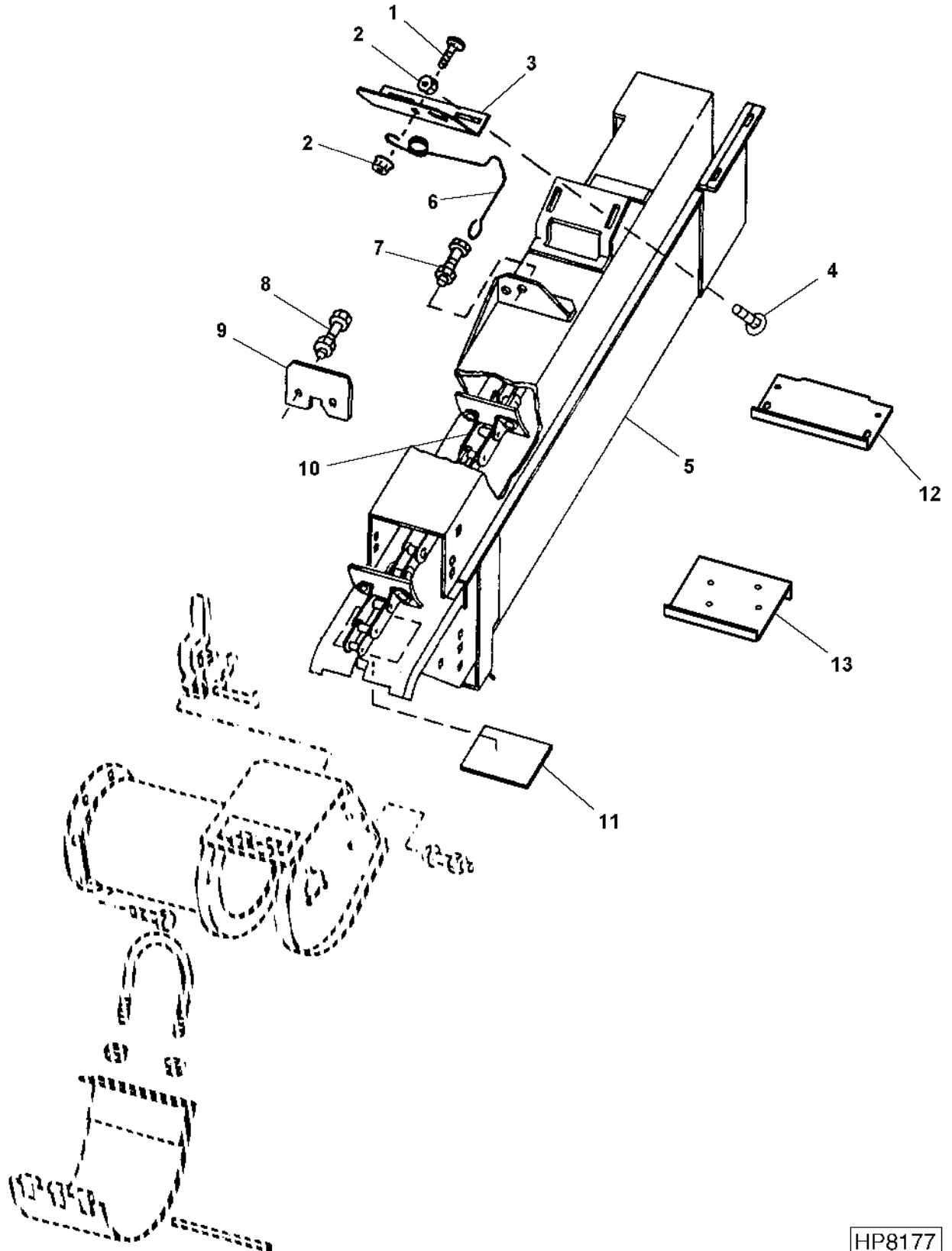
KEY	PART NO.	PART NAME	QTY	SERIAL NO.	S H 9 5 0 0	REMARKS
1	H101297	LEVER	1		X X	
2	11M7081	COTTER PIN	1		X X	2.500 X 20 MM
	11H211	COTTER PIN	1		X X	1/8" X 3/4", (STAINLESS STEEL)
3	RV810A	PIN	1		X X	7.925 X 38.100 MM (5/16" X 1-1/2")
4	03M7251	BOLT	14		X X	M6 X 12
	14M7303	FLANGE NUT	14		X X	M6
5	AH149182	BOOT	1		X X	(SUB FOR AH125554, AH134560, AH136484, AH129355, AH134562 OR AH136485)
6	19M7865	SCREW	8	-651880	X X	M8 X 16
	37M7058	SCREW	8	651881-	X X	M8 X 20
7	H128877	U-BOLT	1		X X	
8	14M7396	LOCK NUT	2		X X	M8
9	AH129357	DOOR	1		X X	(SUB FOR AH125558) (STAINLESS STEEL)
	AH127396	DOOR	1		X X	(PERFORATED)
10	H75985	DOWEL PIN	1		X X	6.350 X 174.752 MM (1/4" X 6.880")
11	19M8241	CAP SCREW	1	670549-	X X	M10 X 100
12	14M7296	FLANGE NUT	3	670549-	X X	M10

10C8

CLEAN GRAIN ELEVATOR, GRAIN TANK AND UNLOADING AUGER

CLEAN GRAIN LOWER ELEVATOR AND CONVEYOR CHAIN

HP8177 -UN-19JAN99



HP8177

10C9

CLEAN GRAIN ELEVATOR, GRAIN TANK AND UNLOADING AUGER

CLEAN GRAIN LOWER ELEVATOR AND CONVEYOR CHAIN - CONTINUED

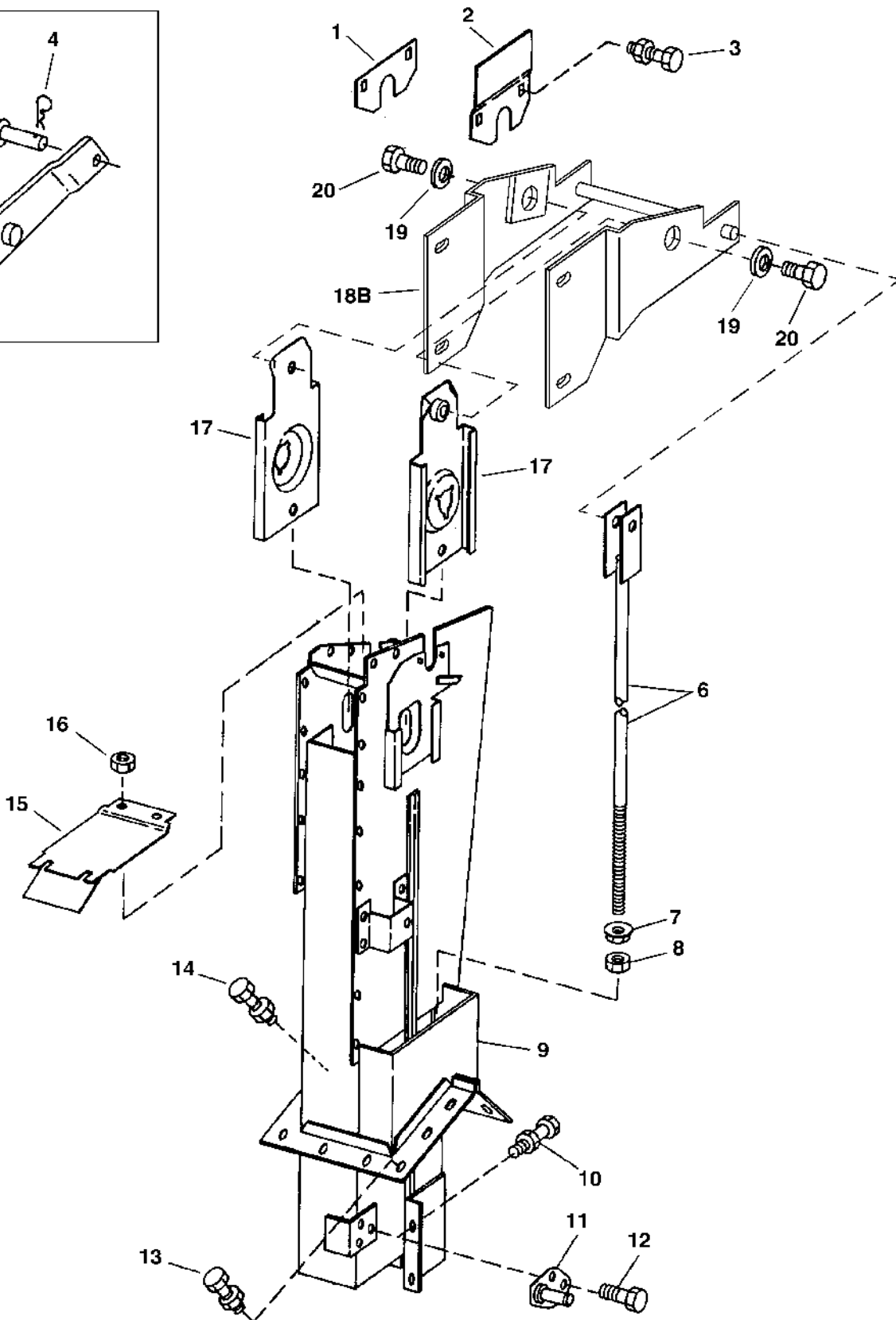
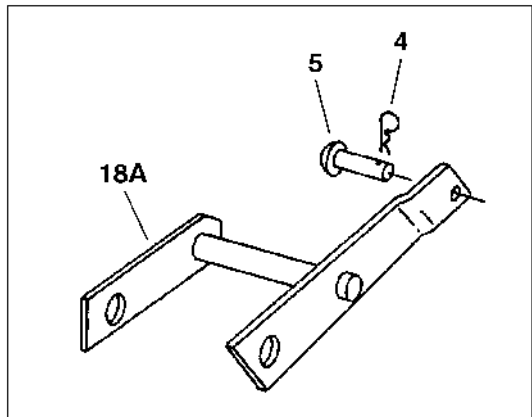
KEY	PART NO.	PART NAME	QTY	SERIAL NO.	S H 9 9 5 5 0 0 0 0	REMARKS
1	19M7784	SCREW	1		X X	M10 X 20
2	14M7296	FLANGE NUT	3		X X	M10
3	H129389	BRACKET	1		X X	
4	03M7190	BOLT	2		X X	M10 X 20
5	AH142200	ELEVATOR	1		X	(SUB FOR AH125601 OR AH141836)
	AH142203	ELEVATOR	1		X	(SUB FOR AH129363 OR AH141845) (STAINLESS STEEL)
	AH156594	ELEVATOR	1		X X	(SUB FOR AH135666, AH141835, AH142197, AH149200 OR AH156808)
	AH156595	ELEVATOR	1		X X	(SUB FOR AH135688, AH141848, AH142201, AH149201 OR AH156809)
6	H130930	SPRING	1		X X	
7	19M7784	SCREW	1		X X	M10 X 20
	14M7296	FLANGE NUT	1		X X	M10
8	H144971	BOLT	2		X X	(KIT AH138947) 3/8", FOR STEEL CLEANING PADDLES
	12H11	LOCK WASHER	2		X X	3/8", (KIT AH138947) FOR STEEL CLEANING PADDLES
	14H255	NUT	2		X X	3/8", (KIT AH138947) FOR STEEL CLEANING PADDLES
	AH138947	KIT	AR		X X	REPLACES RIVETS IN RUBBER PADDLES
9	H132227	PADDLE	1		X X	(STEEL CLEANING)
10	AH132806	LINK CHAIN	1	-670200	X X	(CA-550 ROLLER CHAIN) (35 PADDLES)
	C10232	LINK	1	-29SEP7	X X	(ROLLER)
	C10233	CHAIN LINK	1		X X	(SUB AH137631) (OFFSET, WITH PIN)
	AC11779	PIN	1		X X	
	C10263	TRACK CHAIN W/O SHOES	1		X X	(COUPLER)
	AC14974	PIN	1		X X	
	H137276	PADDLE	34		X X	(RUBBER)
	AH149320	LINK CHAIN	1		X X	(SUB AH162441)
	AH162441	LINK CHAIN	1		X X	
	AH158635	CHAIN LINK	1	29SEP7-	X X	
11	T37851	REINFORCEMENT	1		X X	
12	PF80112	PLATE	1	19MAY7-	X X	LESS GREENSTAR
13	PF80113	PLATE	1	19MAY7-	X X	LESS GREENSTAR
..	M80082	NUT	8	670201-670548	X X	6.350 MM
..	03M7221	BOLT	8	670201-670548	X X	M6 X 16, LESS GREENSTAR
..	14M7303	FLANGE NUT	8	670201-670548	X X	M6, LESS GREENSTAR

10C10

CLEAN GRAIN ELEVATOR, GRAIN TANK AND UNLOADING AUGER

UPPER CLEAN GRAIN ELEVATOR

HP6652 -UN-20MAR97



HP6652

10C11

CLEAN GRAIN ELEVATOR, GRAIN TANK AND UNLOADING AUGER

UPPER CLEAN GRAIN ELEVATOR - CONTINUED

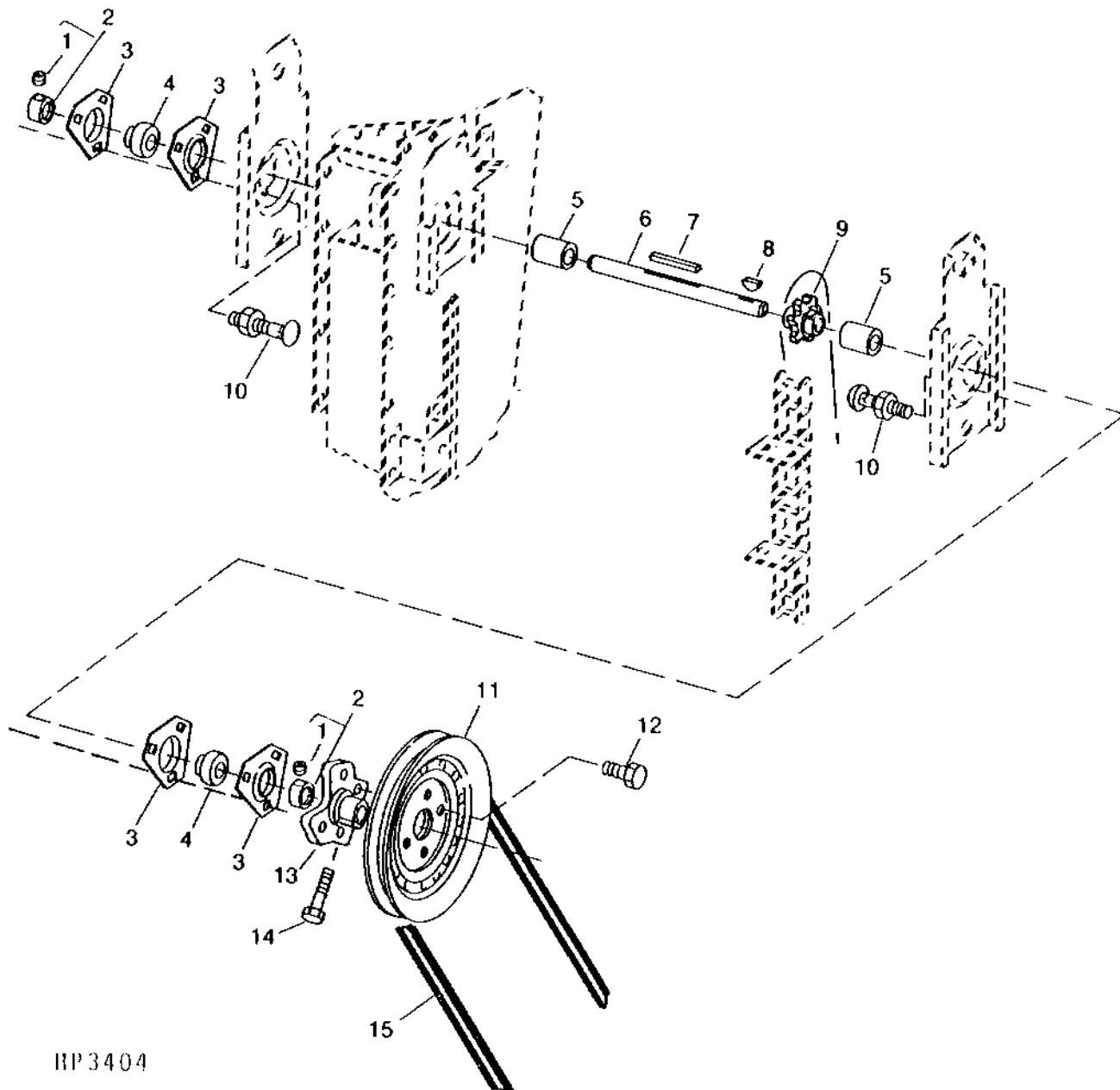
KEY	PART NO.	PART NAME	QTY	SERIAL NO.	S H 9 5 0 0	REMARKS
1	H134286	SEAL	1		X X	
2	H134287	SEAL	1		X X	
3	03M7221	BOLT	4		X X	M6 X 16
	14M7303	FLANGE NUT	4		X X	M6
	03M7221	BOLT	2	670549-	X X	M6 X 16, (TO PLUG HOLES WHEN MOISTURE SENSOR NOT USED)
4	11M7081	COTTER PIN	1		X X	2.500 X 20 MM
5	L1526N	PIN	1		X X	9.474 X 30.963 MM (0.373" X 1-7/32")
6	AH126354	YOKE	1	-670200	X X	
7	14M7296	FLANGE NUT	1		X X	M10
8	14M7274	NUT	1		X X	M10
9	AH142185	ELEVATOR	1	-670548	X X	(SUB FOR AH134706 OR AH141832)
	AH142188	ELEVATOR	1	-670548	X X	(SUB FOR AH134705 OR AH141843) (STAINLESS STEEL)
	AH153743	ELEVATOR	1	670549-	X X	
	AH153744	ELEVATOR	1	670549-	X X	
10	19M7785	SCREW	4		X X	M10 X 25
	14M7296	FLANGE NUT	4		X X	M10
11	AH109197	PIN	1		X	
	AH156051	SPRING PIN	1	27MAY7-	X X	
12	19M7783	SCREW	3	-656789	X X	M10 X 16
	37M7086	SCREW	3	656790-	X X	
13	03M7186	BOLT	2	-655537	X X	M8 X 30
	BOLT	2	655538-	X X	(WELDED)
	14M7298	FLANGE NUT	2		X X	M8
14	03M7184	BOLT	12	-655537	X X	M8 X 20
	BOLT	12	655538-	X X	(WELDED)
	14M7298	FLANGE NUT	12		X X	M8
15	AH131830	DOOR	1	-635652	X	(SUB AH135443)
	AH135443	DOOR	1	-670200	X X	(SUB PF80021)
	PF80105	DEFLECTOR	1		X X	(SUB FOR PF80021)
16	14M7298	FLANGE NUT	4		X X	M8
17	AH130370	BRACKET	2		X X	
18	AH134669	LEVER	1		X X	
18A	AH134669	LEVER	1	-670200	X X	
18B	AH149242	BRACKET	1	670201-	X X	
19	24H1710	WASHER	2		X X	13/32" X 2" X 0.065"
20	19M7865	SCREW	2		X X	M8 X 16

10C12

CLEAN GRAIN ELEVATOR, GRAIN TANK AND UNLOADING AUGER

UPPER CLEAN GRAIN ELEVATOR SHAFT, SPROCKET AND SHEAVE

HP3404 -UN-01JAN94



HP 3404

10C13

CLEAN GRAIN ELEVATOR, GRAIN TANK AND UNLOADING AUGER

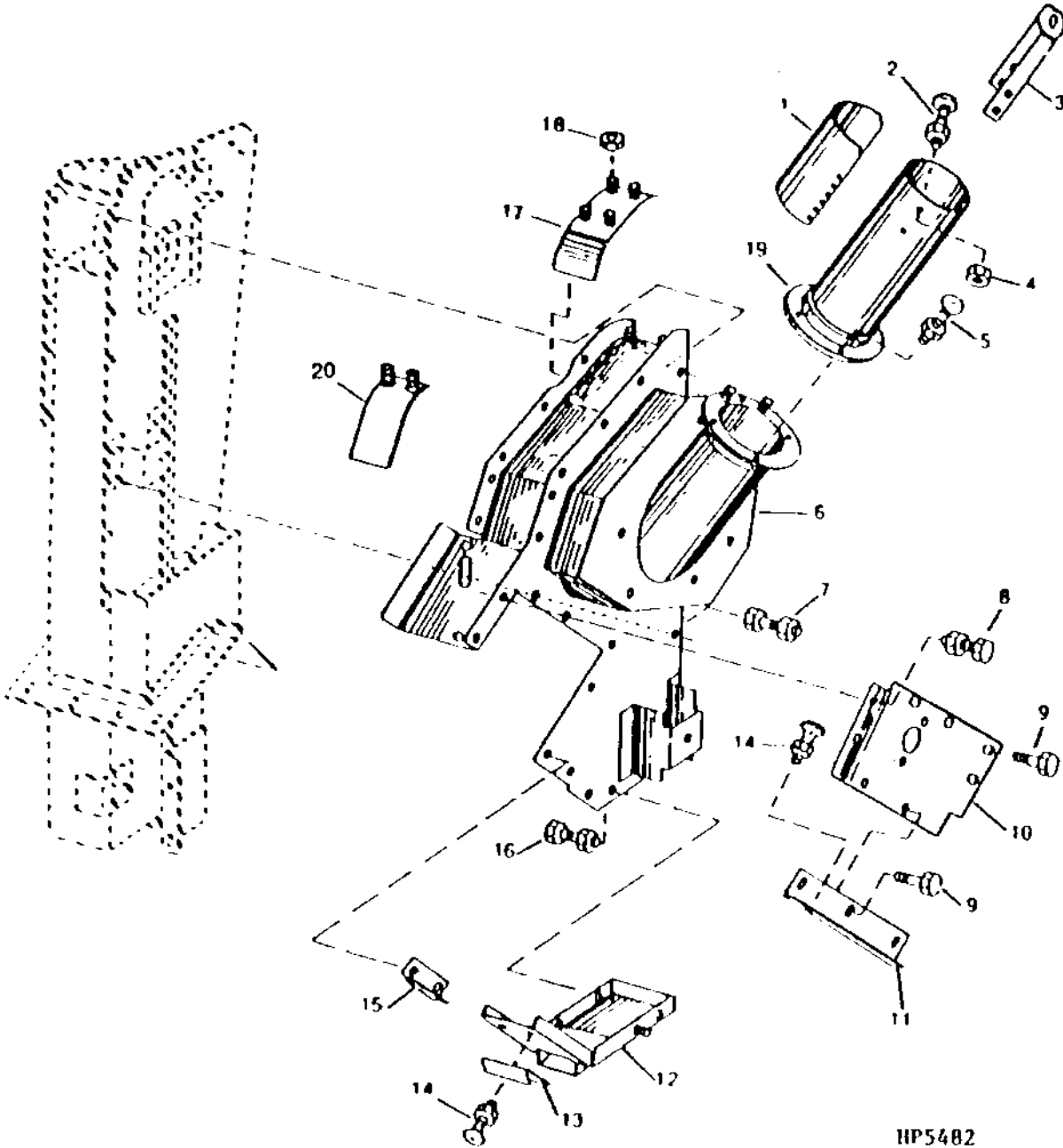
UPPER CLEAN GRAIN ELEVATOR SHAFT, SPROCKET AND SHEAVE - CONTINUED

KEY	PART NO.	PART NAME	QTY	SERIAL NO.	S H 9 5 0 0	REMARKS
1	22M7080	SET SCREW	2		X X	M8 X 8
2	AZ10045	ECCENTRIC LOCKING COLLAR	2		X X	
3	E10018	PRESSED FLANGED HOUSING	4		X X	
4	JD39103	BALL BEARING	2		X X	
5	H128890	SPACER	2		X X	30.430 X 36.430 X 58.500 MM (1.198" X 1.434" X 2.303")
6	H135713	SHAFT	1		X X	
7	SHAFT KEY	1	-670200	X X	8 X 7 X 50 MM (IN AH141142 KEY STOCK KIT) (CUT FROM H150269)
	49M6480	SHAFT KEY	1	670201-	X X	8 X 7 X 50 MM
8	26M4228	SHAFT KEY	1		X X	8 X 28 MM (0.315" X 1.102")
9	H128576	CHAIN SPROCKET	1		X X	8 TOOTH
10	03M7190	BOLT	6		X X	M10 X 20
	14M7296	FLANGE NUT	6		X X	M10
11	AH131329	SHEAVE	1	-640200	X	
	AH135463	SHEAVE	1	640201-	X X	
12	19M7784	SCREW	4		X X	M10 X 20
13	H134760	HUB	1		X X	
14	19M7663	CAP SCREW	1		X X	M8 X 70
15	H137830	BELT	1	-640200	X	
	H141167	BELT	1	640201-	X X	

10C14

CLEAN GRAIN ELEVATOR, GRAIN TANK AND UNLOADING AUGER

UPPER CLEAN GRAIN LOADING AUGER HOUSING
HP5482 -UN-01JAN94



10C15

CLEAN GRAIN ELEVATOR, GRAIN TANK AND UNLOADING AUGER

UPPER CLEAN GRAIN LOADING AUGER HOUSING - CONTINUED

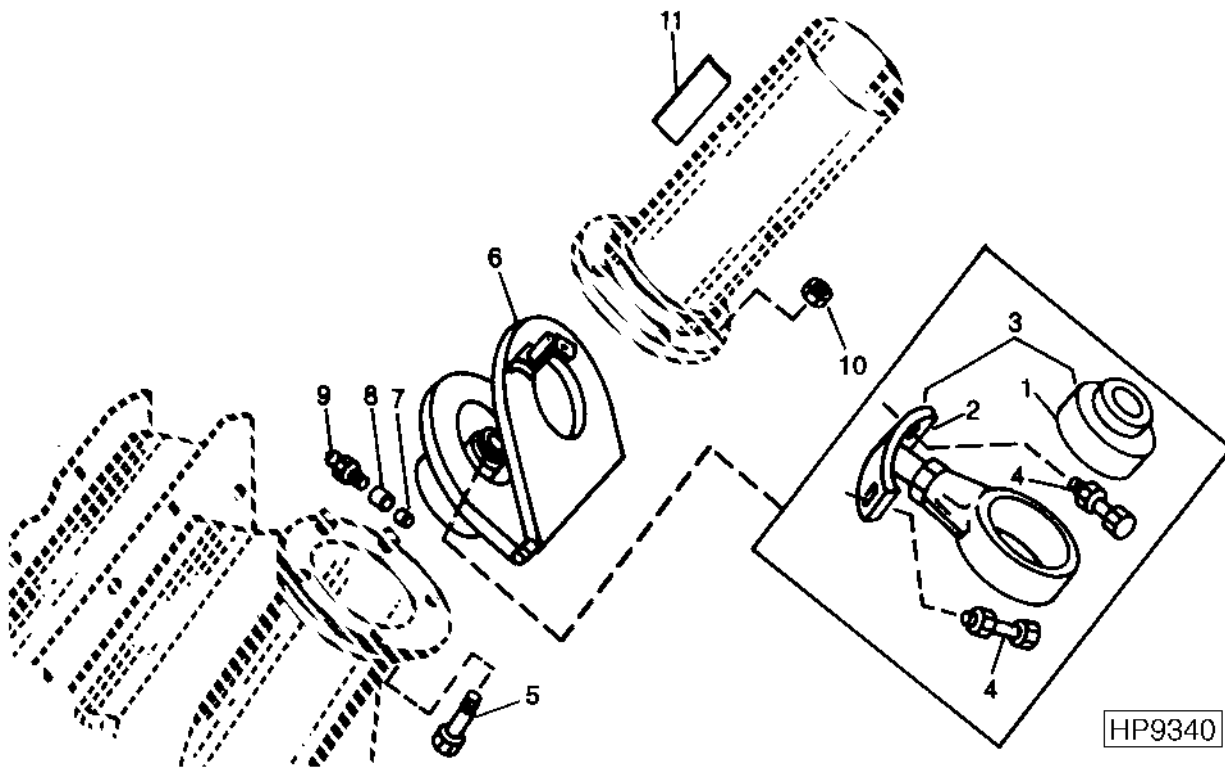
KEY	PART NO.	PART NAME	QTY	SERIAL NO.	S H 9 5 0 0	REMARKS
1	H136094	DEFLECTOR	1	-640200	X	
	H136095	DEFLECTOR	1	640201-	X X	
2	03M7193	BOLT	4		X X	M10 X 35
	14M7296	FLANGE NUT	4		X X	M10
3	AH132991	SUPPORT	1	-640200	X	
	AH135439	SUPPORT	1	640201-	X X	
4	14M7296	FLANGE NUT	4		X X	M10
5	03M7185	BOLT	4		X X	M8 X 25
	14M7298	FLANGE NUT	4		X X	M8
6	AH131197	CHUTE	1	-640200	X	
	AH135431	CHUTE	1	-640200	X X	NO LONGER AVAILABLE
	AH131371	CHUTE	1	-640200	X	(SUB AH131197) STAINLESS STEEL, NO LONGER AVAILABLE
	AH135432	CHUTE	1	-640200	X X	STAINLESS STEEL; NO LONGER AVAILABLE
	AH149183	CHUTE	1		X X	REGULAR STEEL
	AH149184	CHUTE	1		X X	STAINLESS STEEL
7	19M7865	SCREW	9		X X	M8 X 16
	14M7298	FLANGE NUT	9		X X	M8
8	19M7866	SCREW	2		X X	M8 X 20
	14M7298	FLANGE NUT	2		X X	M8
9	19M7783	SCREW	8	-656789	X X	M10 X 16
	37M7086	SCREW	8	656790-	X X	
10	AH131206	PANEL	1	-640200	X	
	AH135441	PANEL	1	640201-	X X	
11	H140097	ANGLE BLADE CYLINDER	1	-640200	X	
	H141033	ANGLE	1	640201-	X X	
	AH131550	DUST SHIELD	1		X X	
13	H135538	ANGLE	1		X X	
14	03M7183	BOLT	3		X X	M8 X 16
	14M7298	FLANGE NUT	3		X X	M8
15	H140096	ANGLE	1		X X	
16	19M7865	SCREW	3		X X	M8 X 16
	14M7298	FLANGE NUT	3		X X	M8
17	AH132809	PLATE	1	-640200	X	
	AH135440	PLATE	1	640201-	X X	
18	14M7298	FLANGE NUT	4		X X	M8
19	AH131903	HOUSING	1	-640200	X	
	AH135444	HOUSING	1	640201-	X X	(REGULAR AND FOLDING)
	AH132788	HOUSING	1	-640200	X	STAINLESS STEEL
	AH135445	HOUSING	1	640201-	X X	STAINLESS STEEL (REGULAR AND FOLDING)
20	AH143356	KIT	1	-660200	X X	(INCLUDES INSTRUCTION)
	AH142630	HOOD	1	660201-	X X	

10C16

CLEAN GRAIN ELEVATOR, GRAIN TANK AND UNLOADING AUGER

FOLDING UPPER CLEAN GRAIN LOADING AUGER HOUSING

(660201-)
HP9340 -UN-23NOV99



S
H
9 9
5 5
0 0
0 0

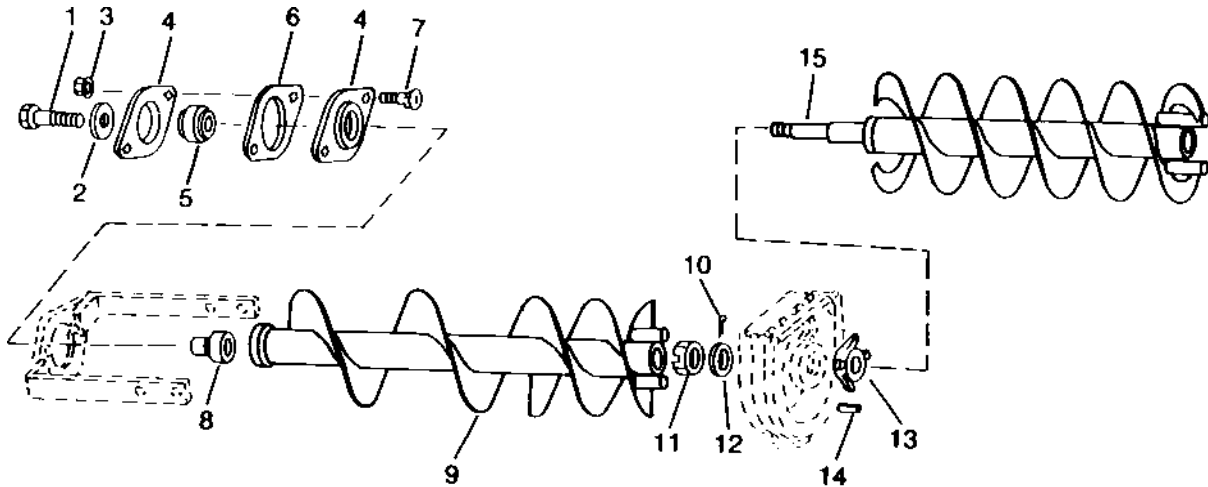
KEY	PART NO.	PART NAME	QTY	SERIAL NO.	REMARKS
1	AH146222	BEARING	1	-661185	X X (SUB AH146221)
2	AH146218	HANGER	1		X X
3	AH146221	BEARING	1		X X INCLUDES HANGER
4	19M7867	SCREW	2		X X M8 X 25
	14M7298	FLANGE NUT	2		X X M8
5	03M7185	BOLT	4		X X M8 X 25
6	AH146216	HINGE	1		X X
7	29H31	THREADED NIPPLE	1		X X
8	15H73	COUPLING	1		X X
9	JD7759	LUBRICATION FITTING	1		X X
10	14M7298	FLANGE NUT	4		X X M8
11	H151397	SIGN	1		X X "CAUTION" FOLDING AUGER

10C17

CLEAN GRAIN ELEVATOR, GRAIN TANK AND UNLOADING AUGER

FOLDING CLEAN GRAIN LOADING AUGER

(660201-)
HP5877 -UN-26JUN95



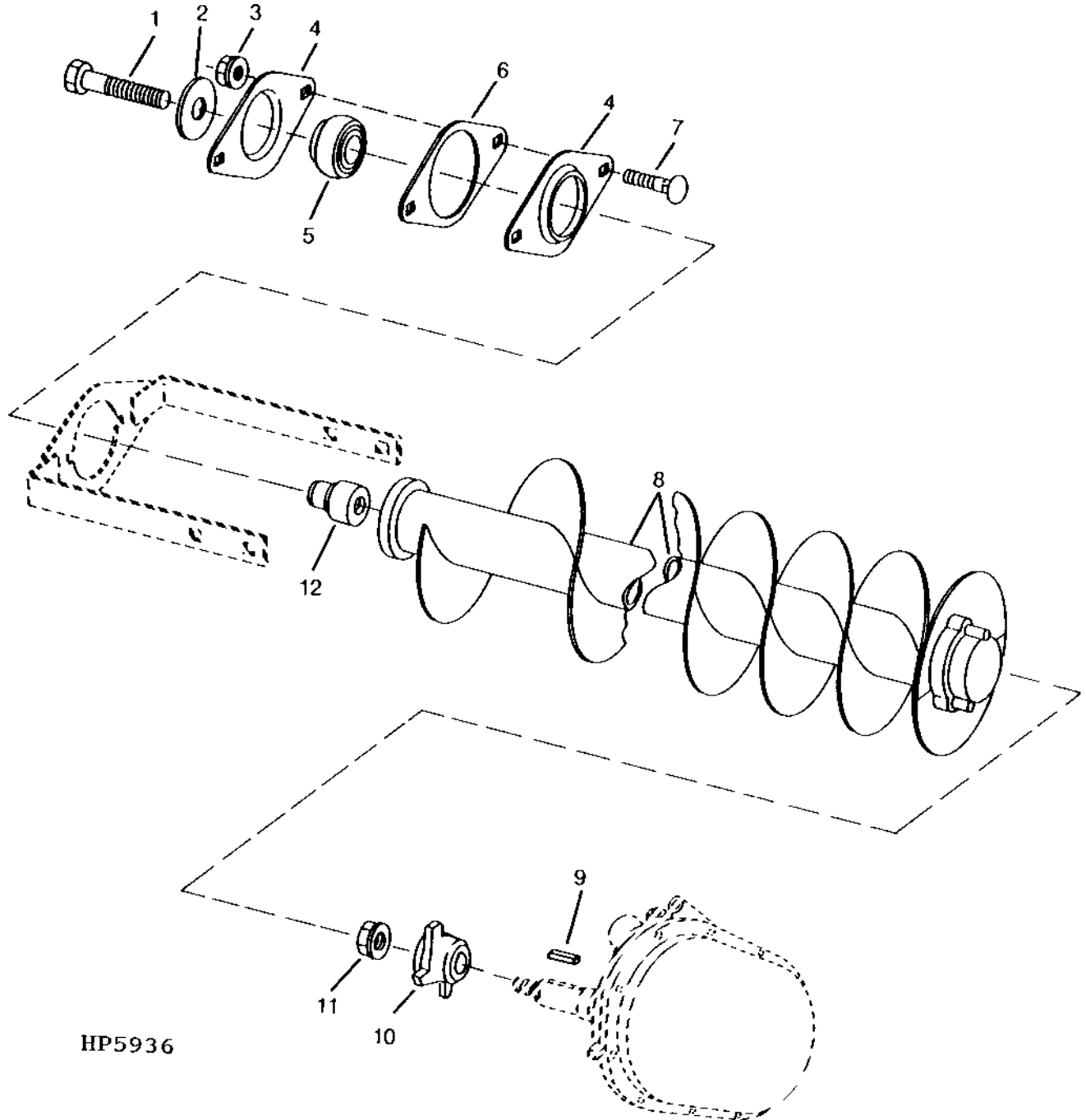
HP5877

KEY	PART NO.	PART NAME	QTY	SERIAL NO.	S H 9 9 5 5 0 0 0 0	REMARKS
1	19M7818	SCREW	1		X X	M12 X 80
2	24M7180	WASHER	1		X X	13 X 37 X 3 MM (0.512" X 1.457" X 0.118")
3	14M7296	FLANGE NUT	2		X X	M10
4	N15764	PRESSED FLANGED HOUSING	2		X X	
5	JD9219	BALL BEARING	1		X X	
6	H137916	SHIM	2		X X	
7	03M7307	BOLT	2		X X	M10 X 25
8	H137919	BUSHING	1		X X	
9	AH146509	FLIGHT	1		X X	(SUB FOR AH145568) (INCLUDES H137919 BUSHING AND 19M7818 SCREW)
10	11M7087	COTTER PIN	1		X X	4 X 40 MM (0.157" X 1.575")
11	14M7205	NUT	1		X X	M24
12	24M7091	WASHER	1		X X	26 X 44 X 4 MM (1.024" X 1.732" X 0.157")
13	H136186	AUGER	1		X X	
14	49M4821	SHAFT KEY	1		X X	
15	AH146214	AUGER	1		X X	

10C18

CLEAN GRAIN ELEVATOR, GRAIN TANK AND UNLOADING AUGER

CLEAN GRAIN LOADING AUGER
HP5936 -UN-26JUN95



HP5936

10C19

CLEAN GRAIN ELEVATOR, GRAIN TANK AND UNLOADING AUGER

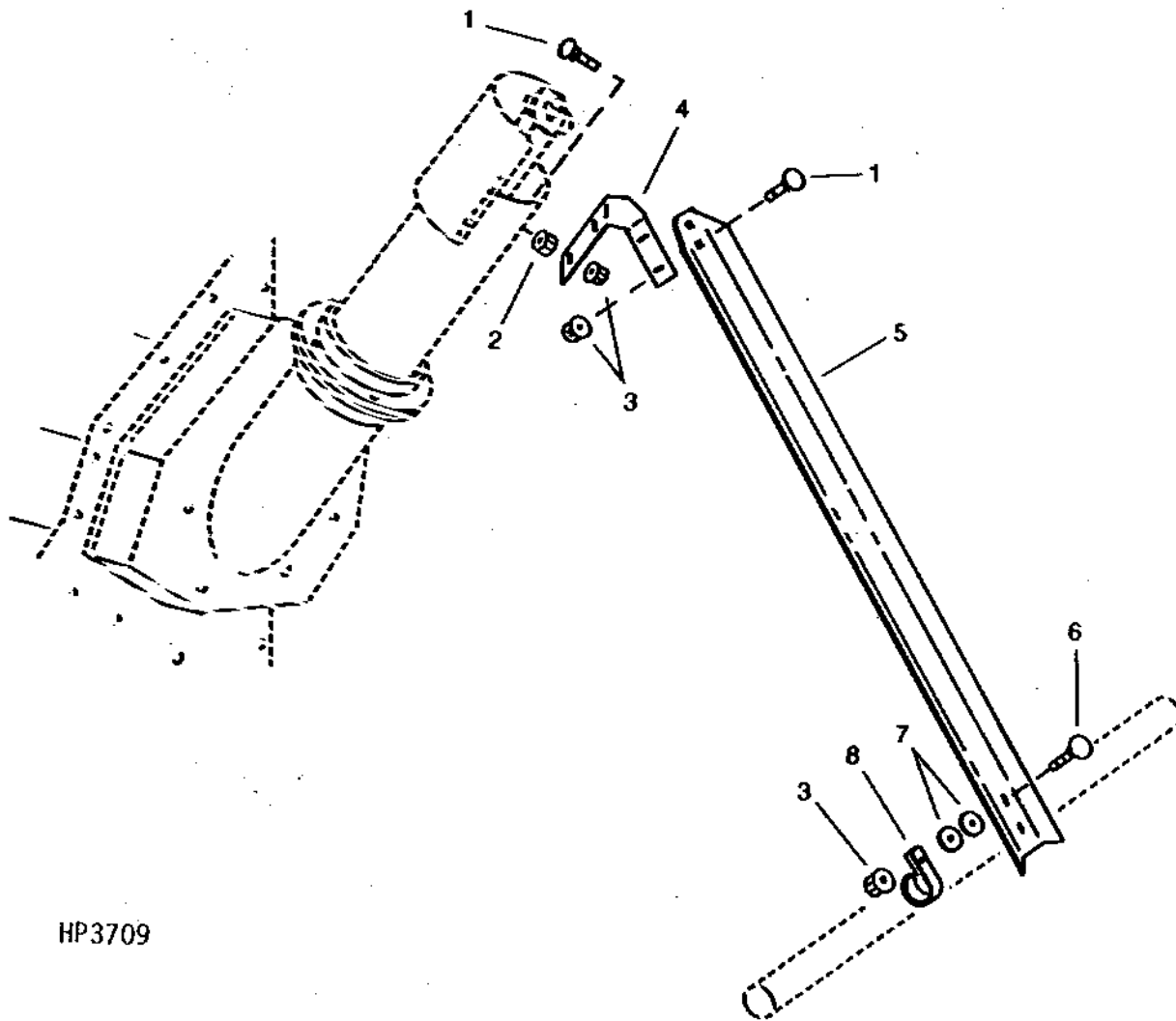
CLEAN GRAIN LOADING AUGER - CONTINUED

KEY	PART NO.	PART NAME	QTY	SERIAL NO.	S H 9 5 0 0	REMARKS
1	19M7818	SCREW	1		X X	M12 X 80
2	24M7180	WASHER	1		X X	13 X 37 X 3 MM
3	14M7296	FLANGE NUT	2		X X	M10
4	N15764	PRESSED FLANGED HOUSING	2		X X	
5	JD9219	BALL BEARING	1		X X	
6	H137916	SHIM	2		X X	
7	03M7307	BOLT	2		X X	M10 X 25
8	AH136091	AUGER	1	-640200	X	(SUB FOR AH135209)
	AH136635	AUGER	1	640201-	X X	
9	SHAFT KEY	1	-670200	X X	6 X 32 MM (IN AH141142 KEY STOCK KIT) (CUT FROM H150268)
	49M4821	SHAFT KEY	1	670201-	X X	6 X 32 MM
10	H136186	AUGER	1		X X	
11	14M7291	FLANGE NUT	1		X X	M16
12	H137919	BUSHING	1		X X	12.500 X 30.110 X 50 MM (0.492" X 1.185" X 1.969")

10C20

CLEAN GRAIN ELEVATOR, GRAIN TANK AND UNLOADING AUGER

GRAIN TANK SAMPLING TROUGH
HP3709 -UN-01JAN94



HP3709

10C21

CLEAN GRAIN ELEVATOR, GRAIN TANK AND UNLOADING AUGER

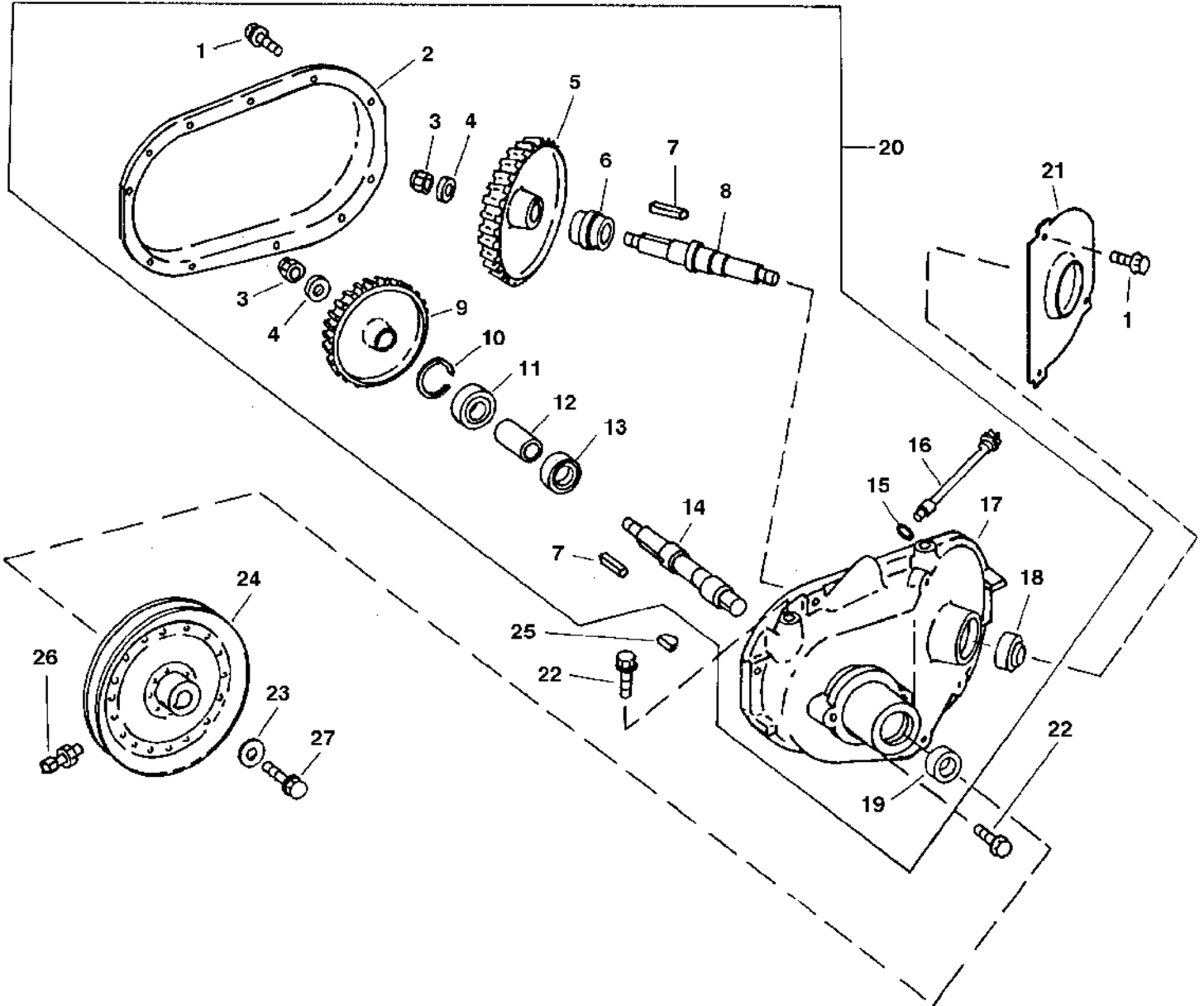
GRAIN TANK SAMPLING TROUGH - CONTINUED

KEY	PART NO.	PART NAME	QTY	SERIAL NO.	S H 9 9 5 5 0 0 0 0	REMARKS
1	03M7184	BOLT	4		X X	M8 X 20
2	M84309	NUT	2		X X	(SUB M84309)
3	14M7396	LOCK NUT	4		X X	M8
4	H136306	BRACKET	1		X X	
5	H136304	TROUGH	1		X X	
6	03M7188	BOLT	1		X X	M8 X 40
7	H28031	WASHER	2		X X	
8	AH77714	CLIP	1		X X	

10C22

CLEAN GRAIN ELEVATOR, GRAIN TANK AND UNLOADING AUGER

CLEAN GRAIN ELEVATOR GEARCASE AND SHEAVE
HP6913 -UN-18AUG97



HP6913

10C23

CLEAN GRAIN ELEVATOR, GRAIN TANK AND UNLOADING AUGER

CLEAN GRAIN ELEVATOR GEARCASE AND SHEAVE - CONTINUED

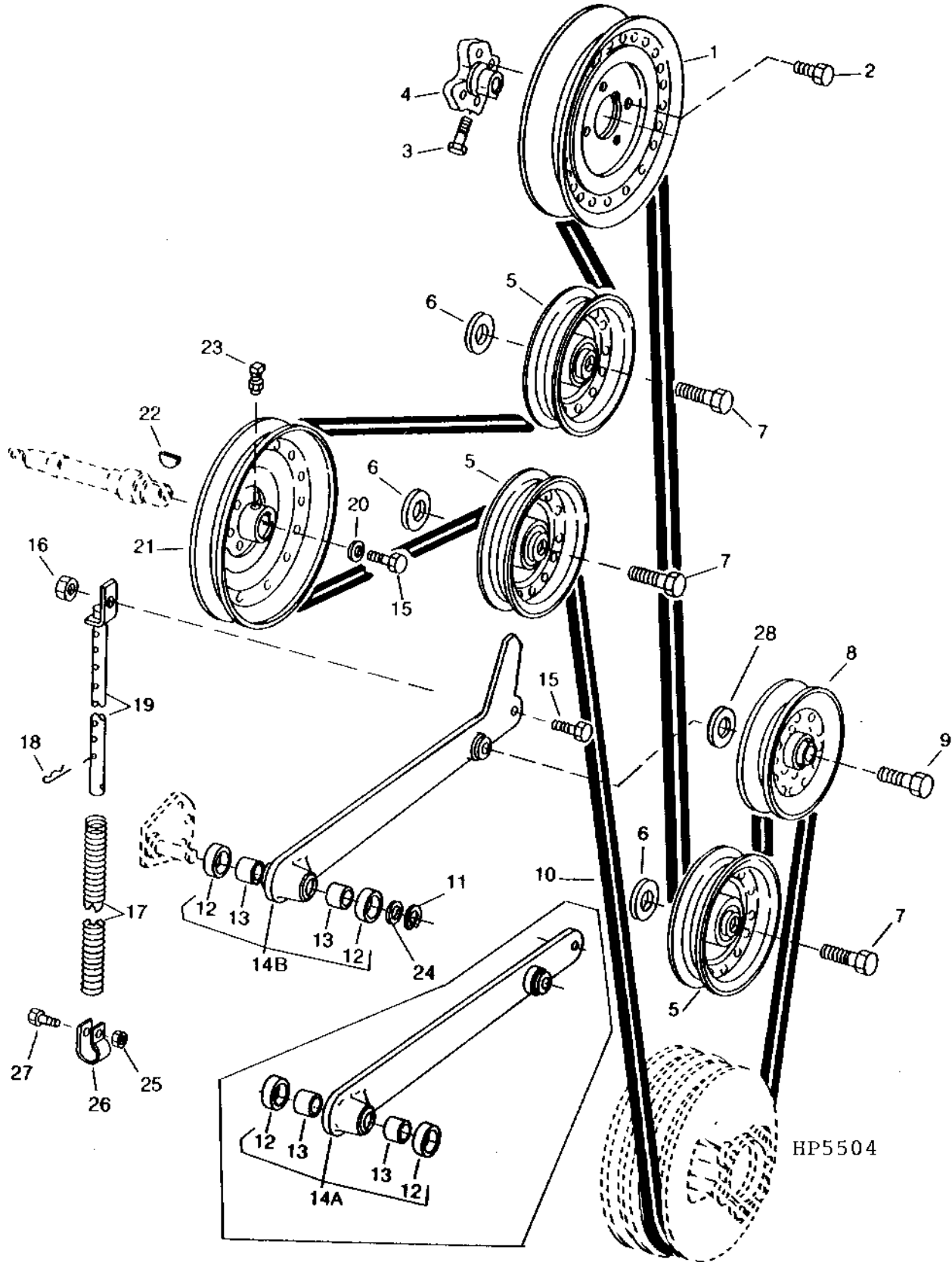
KEY	PART NO.	PART NAME	QTY	SERIAL NO.	S H 9 5 0 0	REMARKS
1	19M7866	SCREW	17		X X	M8 X 20
	19M7407	CAP SCREW	11	642579-	X X	M8 X 25
	24H1685	WASHER	11	642579-	X X	8.738 X 18.644 X 2.108 MM (11/32" X 47/64" X 0.083")
2	H135454	COVER	1		X X	
3	W39621	NUT	2		X X	M16
4	24H1825	WASHER	2		X X	11/16" X 1-1/2" X 0.194"
5	H145316	BEVEL GEAR	1		X X	(SUB FOR H135286)
6	AE42998	BALL BEARING	1		X X	(SUB FOR AH131873)
7	SHAFT KEY	2		X X	6 X 32 MM (IN AH141142 KEY STOCK KIT) (CUT FROM H150268)
8	H136209	SHAFT	1		X X	
9	H145317	BEVEL GEAR	1		X X	(SUB FOR H135287)
10	P46874	SNAP RING	1		X X	
11	JD7689	BALL BEARING	1		X X	
12	28H3054	BUSHING	1		X X	32.461 X 42.164 X 62.713 MM (1.278" X 1.660" X 2-15/32")
13	JD7681	BALL BEARING	1		X X	
14	H135452	SHAFT	1		X X	(USE WITH AH140127)
	H170967	SHAFT	1		X X	(USE WITH DE19111)
15	R26375	O-RING	1		X X	16.358 X 2.210 MM (0.644" X 0.087")
16	AH134598	DIPSTICK	1		X X	
17	H135453	GEAR CASE	1		X X	
18	AH131860	SEAL	1		X X	
19	AH21815	SEAL	1		X X	
20	AH140127	GEAR CASE	1		X X	(SUB FOR AH134858) (SUB DE19111) (ALSO ORDER AH164868, H170967 AND 26M7008)
	DE19111	GEAR CASE	1		X X	
21	H137606	PLATE	1		X X	
22	19M7789	SCREW	4		X X	M12 X 30
23	24M7101	WASHER	1	-667517	X X	11 X 34 X 3 MM, (SUB FOR 24H1730)
	24H1351	WASHER	1	667516-	X X	14.275 X 38.100 X 4.166 MM
24	AH132372	SHEAVE	1		X X	(USE WITH AH140127)
	AH164868	SHEAVE	1		X X	(USE WITH DE19111)
25	26H85	SHAFT KEY	1		X X	6.350 X 25.400 MM (1/4" X 1") (SUB FOR 26H22) (USE WITH AH140127)
	26M7008	SHAFT KEY	1		X X	8 X 28 MM, (USE WITH DE19111)
26	22H836	SET SCREW	2		X X	3/8" X 1"
	14H732	NUT	2		X X	3/8"
27	19M7786	SCREW	1		X X	M10 X 30
..	TY15130	SEALANT	1		X X	(03 OZ. TUBE) (CANADA PART NO TY9484)

10C24

CLEAN GRAIN ELEVATOR, GRAIN TANK AND UNLOADING AUGER

CLEAN GRAIN ELEVATOR DRIVE TIGHTENER AND IDLER

HP5504 -UN-01JAN94



10C25

CLEAN GRAIN ELEVATOR, GRAIN TANK AND UNLOADING AUGER

CLEAN GRAIN ELEVATOR DRIVE TIGHTENER AND IDLER - CONTINUED

KEY	PART NO.	PART NAME	QTY	SERIAL NO.	S H 9 5 0 0	REMARKS
1	AH131329	SHEAVE	1	-640200	X	
	AH135463	SHEAVE	1	640201-	X X	
2	19M7784	SCREW	4		X X	M10 X 20
3	19M7663	CAP SCREW	1		X X	M8 X 70
4	H134760	HUB	1		X X	
5	AH94450	IDLER	3		X X	
6	24M7053	WASHER	3		X X	17 X 30 X 3 MM
7	19M7824	SCREW	3		X X	M16 X 60
8	AN15237	IDLER	1		X X	
9	19M7844	SCREW	1		X X	M16 X 45
10	H137830	BELT	1	-640200	X	
	H141167	BELT	1	640201-	X X	
11	P46402	SNAP RING	1		X X	
12	AA5607R	SEAL	2		X X	
13	H99147	BUSHING	2		X X	(SUB H171061)
	H171061	BEARING	2		X X	
14A	AH126052	ARM	1	-640200	X	
14B	AH135579	ARM	1	640201-	X X	
15	19M7786	SCREW	2		X X	M10 X 30
16	14M7517	LOCK NUT	1		X X	M10, (SUB FOR 14M7337)
17	H129049	SPRING	1		X X	
18	A3581R	SPRING LOCKING PIN	1		X X	
19	AH124502	RETAINER	1		X X	
20	24M7101	WASHER	1	-15AU96	X X	11 X 34 X 3 MM, (SUB FOR 24H1730)
	24H1351	WASHER	1	15AU96-	X X	14.275 X 38.100 X 4.166 MM
21	AH132372	SHEAVE	1		X X	GEARCASE
22	26H85	SHAFT KEY	1		X X	6.350 X 25.400 MM (1/4" X 1") (SUB FOR 26H22)
23	22H836	SET SCREW	2		X X	3/8" X 1"
	14H732	NUT	2		X X	3/8"
24	24M7091	WASHER	1		X X	26 X 44 X 4 MM
25	14M7303	FLANGE NUT	1		X X	M6
26	H132088	CLAMP	1		X X	
27	19M8321	SCREW	1		X X	M6 X 45
28	24H1373	WASHER	2		X X	21/32" X 1-9/16" X 0.180"

10D2

CLEAN GRAIN ELEVATOR, GRAIN TANK AND UNLOADING AUGER

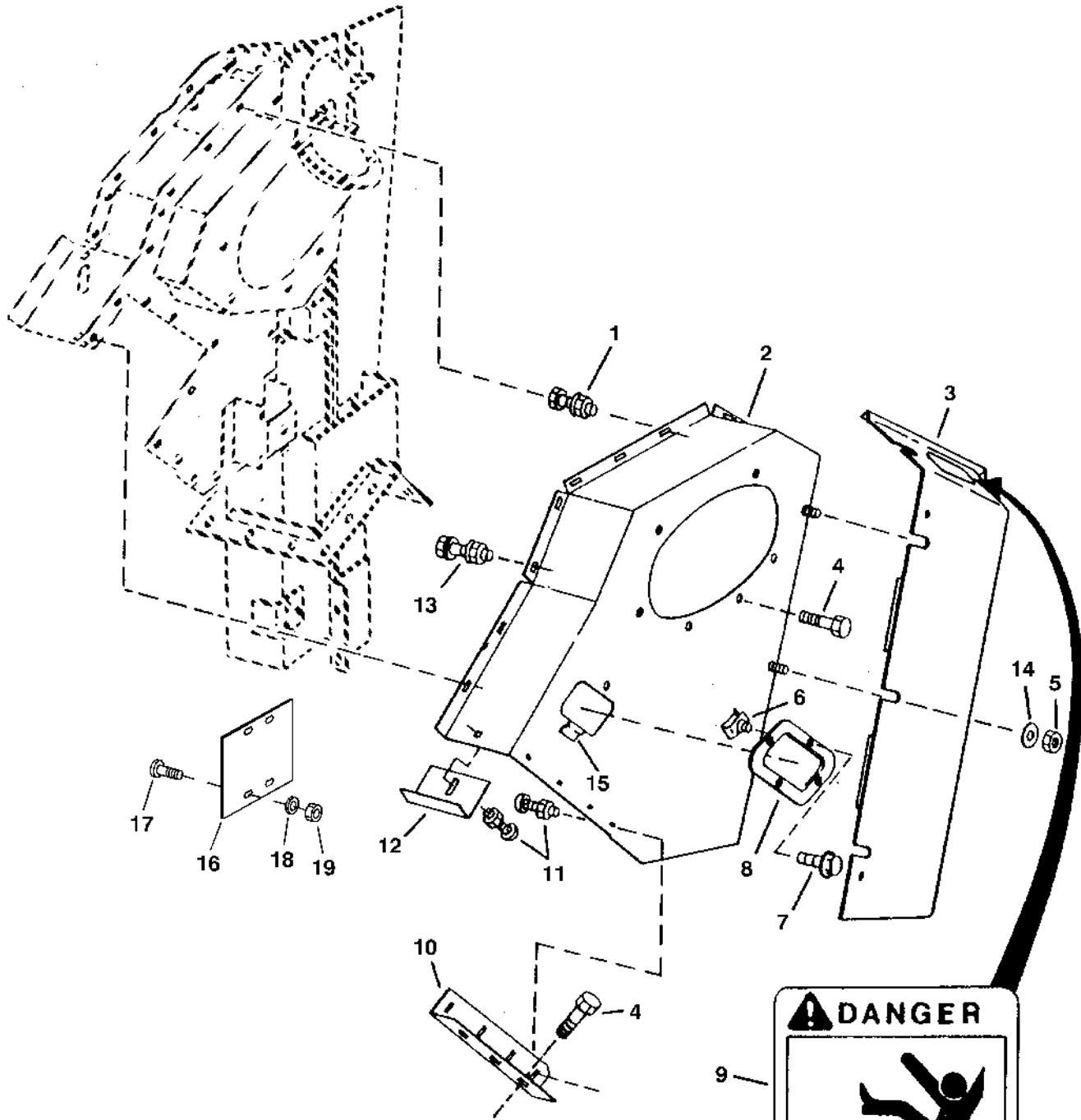
UPPER CLEAN GRAIN ELEVATOR SHIELDS - CONTINUED
(-640528)

KEY	PART NO.	PART NAME	QTY	SERIAL NO.	S H 9 5 0 0 0	REMARKS
1	19M7865	SCREW	5		X	M8 X 16
	14M7298	FLANGE NUT	5		X	M8
2	AH131237	SHIELD	1	-640200	X	
	AH135442	SHIELD	1	640201-	X	
3	AH131238	DUST SHIELD	1		X	
4	03M7183	BOLT	9		X	M8 X 16
	14M7298	FLANGE NUT	9		X	M8
5	14M7020	WING NUT	5		X	M8
6	M84972	NUT	1		X	6 MM (0.236")
7	19M7774	SCREW	1		X	M6 X 12
8	H89569	DOOR	1		X	
9	H135588	DUST SHIELD	1		X	
10	H139969	ANGLE	1	-640200	X	
	H141044	ANGLE	1	640201-	X	
11	03M7183	BOLT	5		X	M8 X 16
	14M7298	FLANGE NUT	5		X	M8
12	H135590	ANGLE	1		X	
13	19M7866	SCREW	2		X	M8 X 20
	14M7298	FLANGE NUT	2		X	M8
14	24H1297	WASHER	AR		X	11/32" X 2" X 0.065"
15	24M7207	WASHER	2	-640200	X	8.400 X 24 X 2 MM

10D3

CLEAN GRAIN ELEVATOR, GRAIN TANK AND UNLOADING AUGER

UPPER CLEAN GRAIN ELEVATOR SHIELDS (640529-)
(640529-)
HP6654 -UN-07MAR97



HP6654

10D4

CLEAN GRAIN ELEVATOR, GRAIN TANK AND UNLOADING AUGER

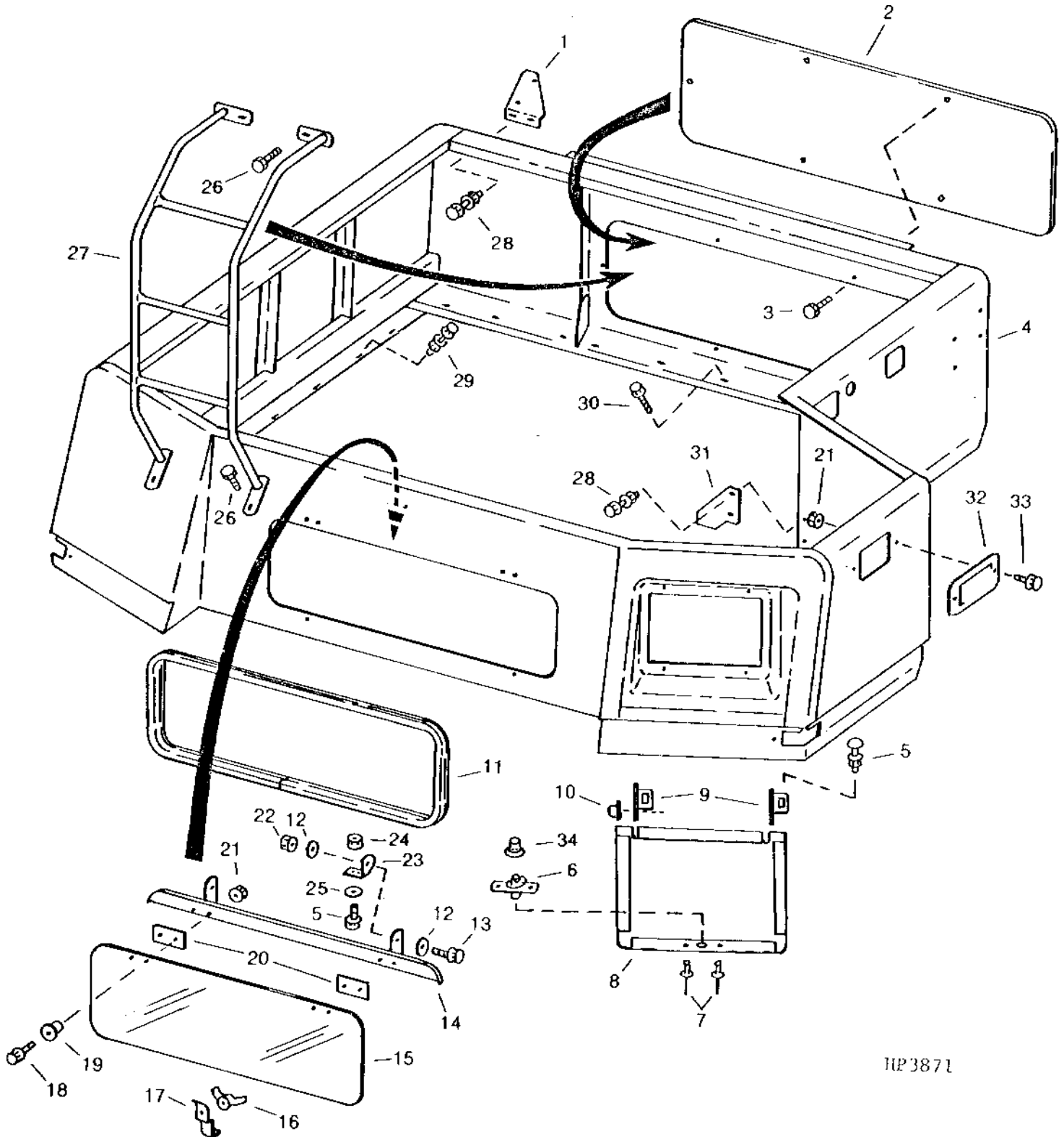
UPPER CLEAN GRAIN ELEVATOR SHIELDS - CONTINUED (640529-)

KEY	PART NO.	PART NAME	QTY	SERIAL NO.	S H 9 5 0 0 0 0	REMARKS
1	19M7865	SCREW	5		X X	M8 X 16
	14M7298	FLANGE NUT	5		X X	M8
2	AH137257	SHIELD	1		X X	
3	AH137256	SHIELD	1		X X	
4	03M7183	BOLT	9		X X	M8 X 16
	14M7298	FLANGE NUT	9		X X	M8
5	14M7020	WING NUT	5		X X	M8
6	M84972	NUT	1		X X	6 MM
7	19M7774	SCREW	1		X X	M6 X 12
8	H89569	DOOR	1		X X	
9	H149062	DECAL	1	-670491	X X	(SUB FOR H133638) "DANGER" ON REAR GRAIN TANK EXTENSION
	Z60327	LABEL	1	670492-	X X	
10	H141044	ANGLE	1		X X	
11	03M7183	BOLT	5		X X	M8 X 16
	14M7298	FLANGE NUT	5		X X	M8
12	H135590	ANGLE	1		X X	
13	19M7866	SCREW	2		X X	M8 X 20
	14M7298	FLANGE NUT	2		X X	M8
	24M7207	WASHER	2	670201-	X X	8.400 X 24 X 2 MM
14	24H1297	WASHER	3		X X	11/32" X 2" X 0.065"
15	H82060	CLIP	1		X X	
16	PF10026	PLATE	1	670201-	X X	
17	03M7190	BOLT	2	670201-	X X	M10 X 20
18	24M7228	WASHER	2	670201-	X X	15 X 21 X 1.300 MM
19	14M7296	FLANGE NUT	2	670201-	X X	M10

10D5

CLEAN GRAIN ELEVATOR, GRAIN TANK AND UNLOADING AUGER

GRAIN TANK TOP
HP3871 -UN-01JAN94



HP3871

10D6

CLEAN GRAIN ELEVATOR, GRAIN TANK AND UNLOADING AUGER

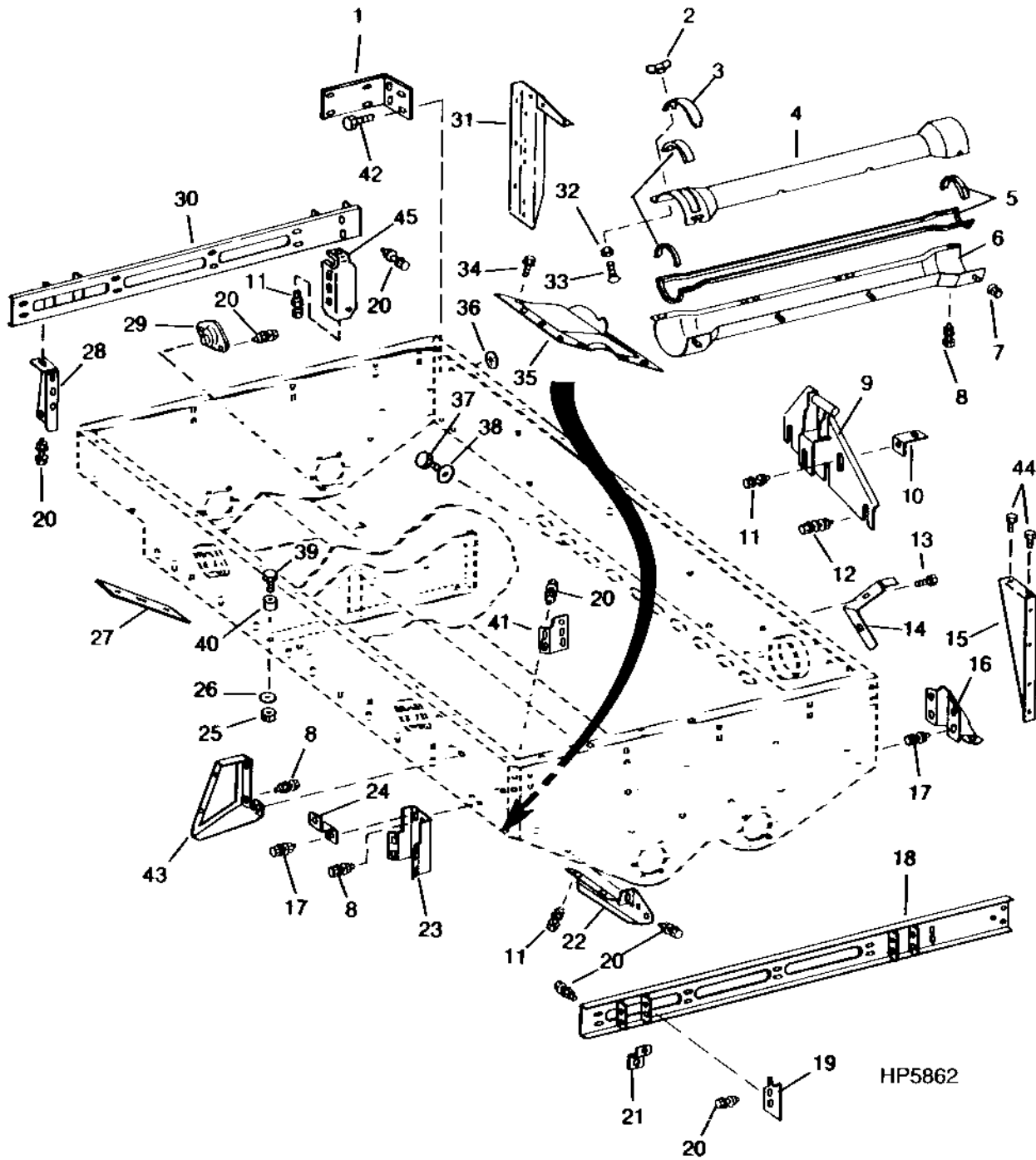
GRAIN TANK TOP - CONTINUED

KEY	PART NO.	PART NAME	QTY	SERIAL NO.	S H 9 5 0 0	REMARKS
1	H133584	BRACKET	1		X X	
2	H127638	PANEL	1		X X	
3	19M7865	SCREW	6	-643087	X	M8 X 16
4	37M7058 AH158113	SCREW TANK	6 1	643088-	X X X X	(SUB FOR AH125260, AH134765, AH136558 AND AH151880)
5	03M7183	BOLT	6		X X	M8 X 16
	14M7298	FLANGE NUT	2		X X	M8
6	AH125644	LATCH	1		X X	
7	H64584	RIVET	2		X X	
8	AH122507	DOOR	1		X X	
9	H132024	HINGE	2		X X	
10	H120499	NUT	2		X X	6 MM (0.236")
11	AH80335	WEATHERSTRIP	AR		X X	
12	24H1290	WASHER	4	-647358	X X	21/64" X 3/4" X 0.035"
	B27370	WASHER	4	647359-	X X	0.328" X 3/4" X 0.036"
13	19M7866	SCREW	2		X X	M8 X 20
14	AH126619	REINFORCEMENT	1		X X	
15	H131675	WINDOWPANE	1		X X	
16	14M7019	WING NUT	2		X X	M6
17	H131674	LATCH	2		X X	
18	19M7862	SCREW	4		X X	M6 X 20
19	R50642	WASHER	4		X X	6.730 X 9.910 X 9 MM (0.265" X 0.390" X 0.354")
20	H131673	GASKET	2		X X	
21	14M7303	FLANGE NUT	8		X X	M6
22	14M7396	LOCK NUT	2		X X	M8
23	H132542	ANGLE	2		X X	
24	14M7298	FLANGE NUT	4		X X	M8
25	M84309	NUT	4		X X	7.925 MM (5/16") (SUB FOR H131531)
26	19M7866	SCREW	4		X X	M8 X 20 M8
27	AH154920 AH160622	LADDER LADDER	1 1		X X X X	(SUB FOR AH128554) (SUB AH160622)
28	19M7866 14M7298	SCREW FLANGE NUT	5 5		X X X X	M8 X 20 M8
29	19M7865 14M7298	SCREW FLANGE NUT	13 15		X X X X	M8 X 16 M8
30	37M7058	SCREW	19		X X	M8 X 20
31	H130262	PANEL	1		X X	ROLLING THREAD
32	H132666	PLATE	2		X X	
33	19M7774	SCREW	4		X X	M6 X 12, USED ONLY WITHOUT ROW LIGHTS
34	H121391	KNOB	1		X X	

10D7

CLEAN GRAIN ELEVATOR, GRAIN TANK AND UNLOADING AUGER

GRAIN TANK BASE
HP5862 -UN-14OCT94



10D8

CLEAN GRAIN ELEVATOR, GRAIN TANK AND UNLOADING AUGER

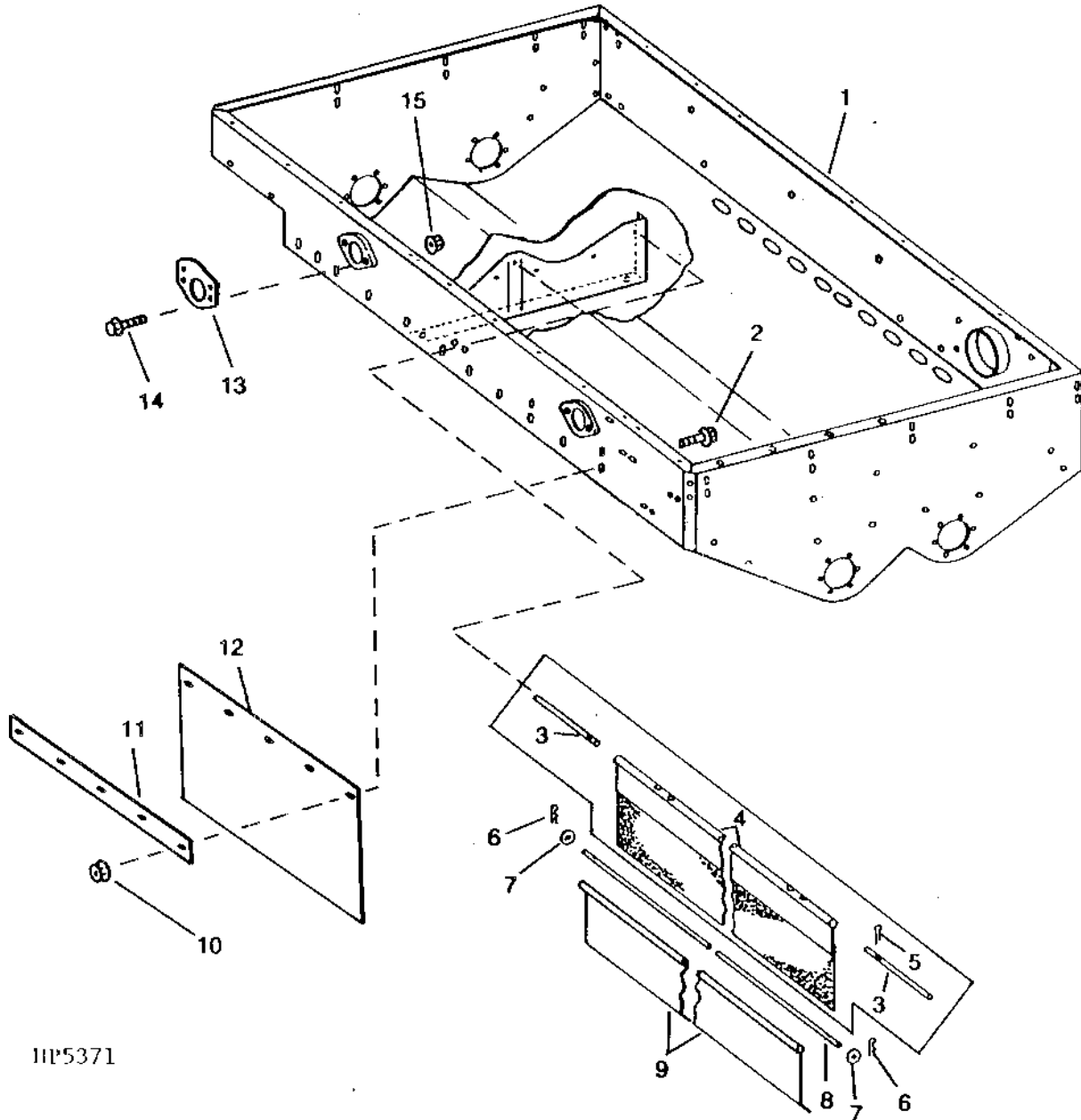
GRAIN TANK BASE - CONTINUED

KEY	PART NO.	PART NAME	QTY	SERIAL NO.	S H 9 5 0 0	REMARKS
1	H129885	ANGLE	1		X X	
2	14M7020	WING NUT	1		X X	M8
3	H131264	COVER	1		X X	
4	H131230	HOUSING	1		X X	UPPER
5	H81330	ISOLATOR	AR		X X	
6	AH126279	DUST SHIELD	1		X X	LOWER
7	14M7298	FLANGE NUT	4		X X	M8
8	19M7865	SCREW	8		X X	M8 X 16
	14M7298	FLANGE NUT	8		X X	M8
9	AH128037	BRACKET	1		X X	
10	H132662	BRACKET	1		X X	
11	19M7788	SCREW	6		X X	M12 X 25
	14M7299	FLANGE NUT	6		X X	M12
12	19M7788	SCREW	5		X X	M12 X 25
	24M7180	WASHER	5		X X	13 X 37 X 3 MM
	14M7299	FLANGE NUT	5		X X	M12
13	37M7083	SCREW	2		X X	
14	H131227	DEFLECTOR	1		X X	
15	H147299	SUPPORT	1		X X	(SUB FOR H133828)
16	H129588	BRACKET	1		X X	
17	19M7866	SCREW	5		X X	M8 X 20
	14M7298	FLANGE NUT	5		X X	M8
18	AH166714	CHANNEL	1		X X	(SUB FOR AH125478) LEFT-HAND
19	H125537	PLATE	4		X X	
20	19M7784	SCREW	37		X X	M10 X 20
	14M7296	FLANGE NUT	37		X X	M10
21	H131628	BRACKET	1		X X	
22	H127677	BRACKET	1		X X	LEFT-HAND
23	H136541	HOSE SUPPORT	1		X X	
24	H132538	HOSE SUPPORT	1		X X	
25	14M7299	FLANGE NUT	4		X X	M12
26	24M7240	WASHER	4		X X	13 X 25 X 3 MM
27	H139972	PLATE	1		X X	
28	H129833	BRACKET	2	-640200	X	(SUB H139056)
	H139056	BRACKET	2	640201-	X X	
29	AH108299	RUBBER MOUNT	2		X X	CAB ISOLATION
30	AH166713	CHANNEL	1		X X	(SUB FOR AH125306) RIGHT-HAND
31	AH130198	SUPPORT	1		X X	
32	M84309	NUT	2		X X	(SUB FOR H131531)
33	03M7184	BOLT	1		X X	M8 X 20
34	37M7087	SCREW	2	-656532	X X	M10 X 25
	H145773	SELF-LOCKING SCREW	2	656533-	X X	M10 X 35
35	AH126275	HOUSING	1		X X	
36	H141123	NUT	5		X X	10 MM
37	37M7080	SCREW	5		X X	M10 X 30
38	24H1347	WASHER	5		X X	17/32" X 2" X 0.194"
39	19M8112	SCREW	4		X X	M12 X 55
40	N61709	BUSHING	4		X X	
41	AH125814	SUPPORT	1		X X	
42	19M7785	SCREW	5		X X	M10 X 25
43	H130363	BRACKET	1		X X	
44	19M7788	SCREW	2		X X	M12 X 25
45	H129833	BRACKET	1		X X	

10D9

CLEAN GRAIN ELEVATOR, GRAIN TANK AND UNLOADING AUGER

GRAIN TANK AND CURTAINS
HP5371 -UN-01JAN94



HP5371

10D10

CLEAN GRAIN ELEVATOR, GRAIN TANK AND UNLOADING AUGER

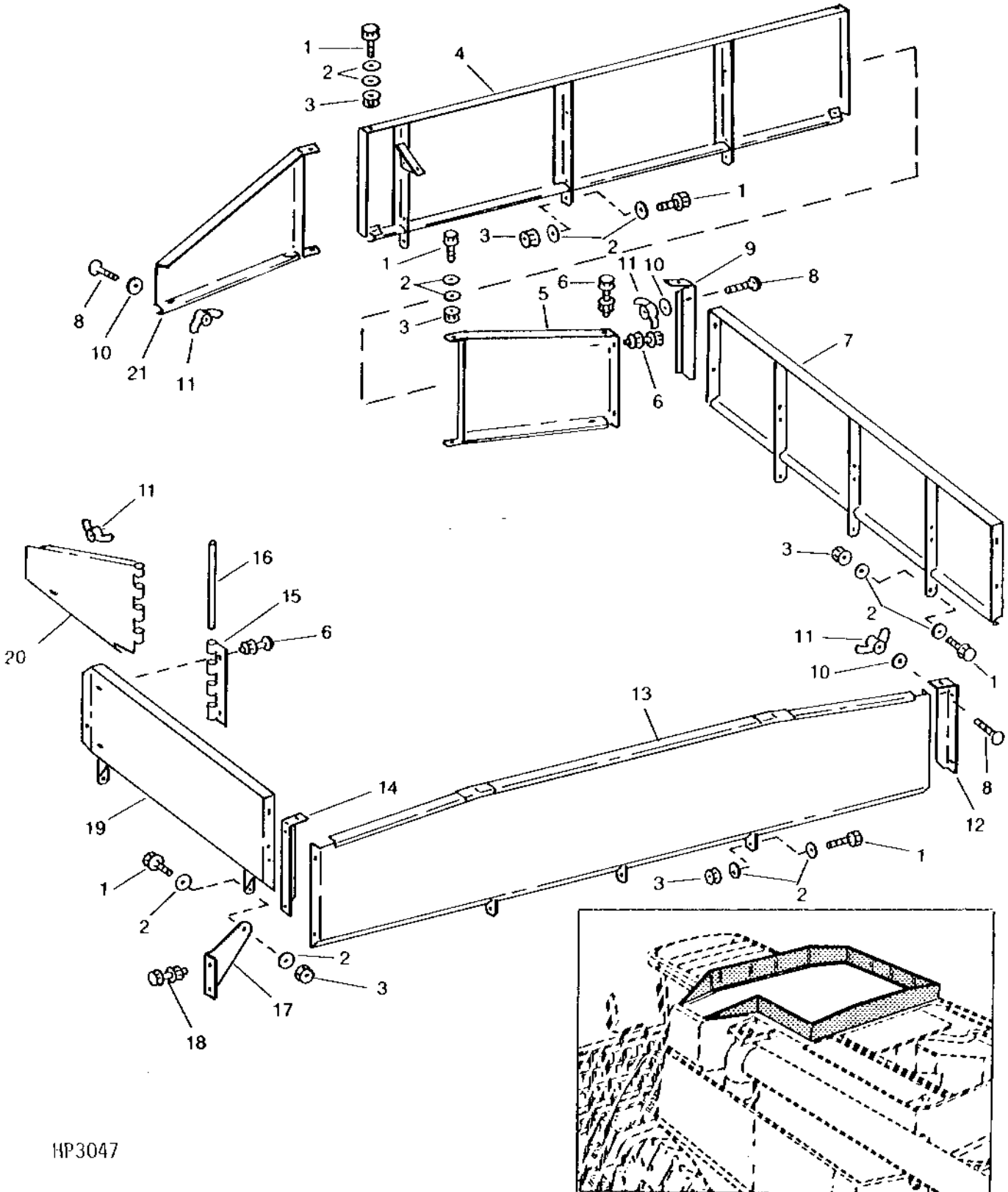
GRAIN TANK AND CURTAINS - CONTINUED

KEY	PART NO.	PART NAME	QTY	SERIAL NO.	S H 9 5 0 0	REMARKS
1	AH158103	TANK	1		X	(SUB FOR AH125949 OR AH134601)
	AH158104	TANK	1		X	(SUB FOR AH135292, AH141641, AH157725)
2	19M7785	SCREW	5	650201-	X X	M10 X 25
3	H131865	PIN	1	-640200	X	
4	AH125391	LIMIT CURTAIN	1	-640200	X	
5	11M7059	COTTER PIN	2	-640200	X	3.200 X 20 MM
6	A15147	SPRING LOCKING PIN	2	650201-	X X	
7	T20217	WASHER	2	650201-	X X	12.954 X 43.942 X 6.350 MM
8	H144825	PIPE	1		X X	(USE WITH H144823)
	H76863	PIN	1		X X	(USE WITH H145516)
9	H144823	LIMIT CURTAIN	1	650201-	X X	RUBBER (CORN AND GRAIN)
	H145516	DEFLECTOR	1	650201-	X X	STEEL (RICE)
10	14M7400	LOCK NUT	1	650201-	X X	M10
11	H148116	PLATE	1	650201-	X X	
12	H148056	LIMIT CURTAIN	1	650201-29SEP7	X X	
13	H148518	PLATE	2	650201-	X X	
14	19M7788	SCREW	4		X X	M12 X 25
15	14M7299	FLANGE NUT	4		X X	M12
..	AH168093	KIT	1		X X	STAINLESS STEEL TROUGH LINER

10D11

CLEAN GRAIN ELEVATOR, GRAIN TANK AND UNLOADING AUGER

GRAIN TANK EXTENSIONS
HP3047 -UN-01JAN94



HP3047

10D12

CLEAN GRAIN ELEVATOR, GRAIN TANK AND UNLOADING AUGER

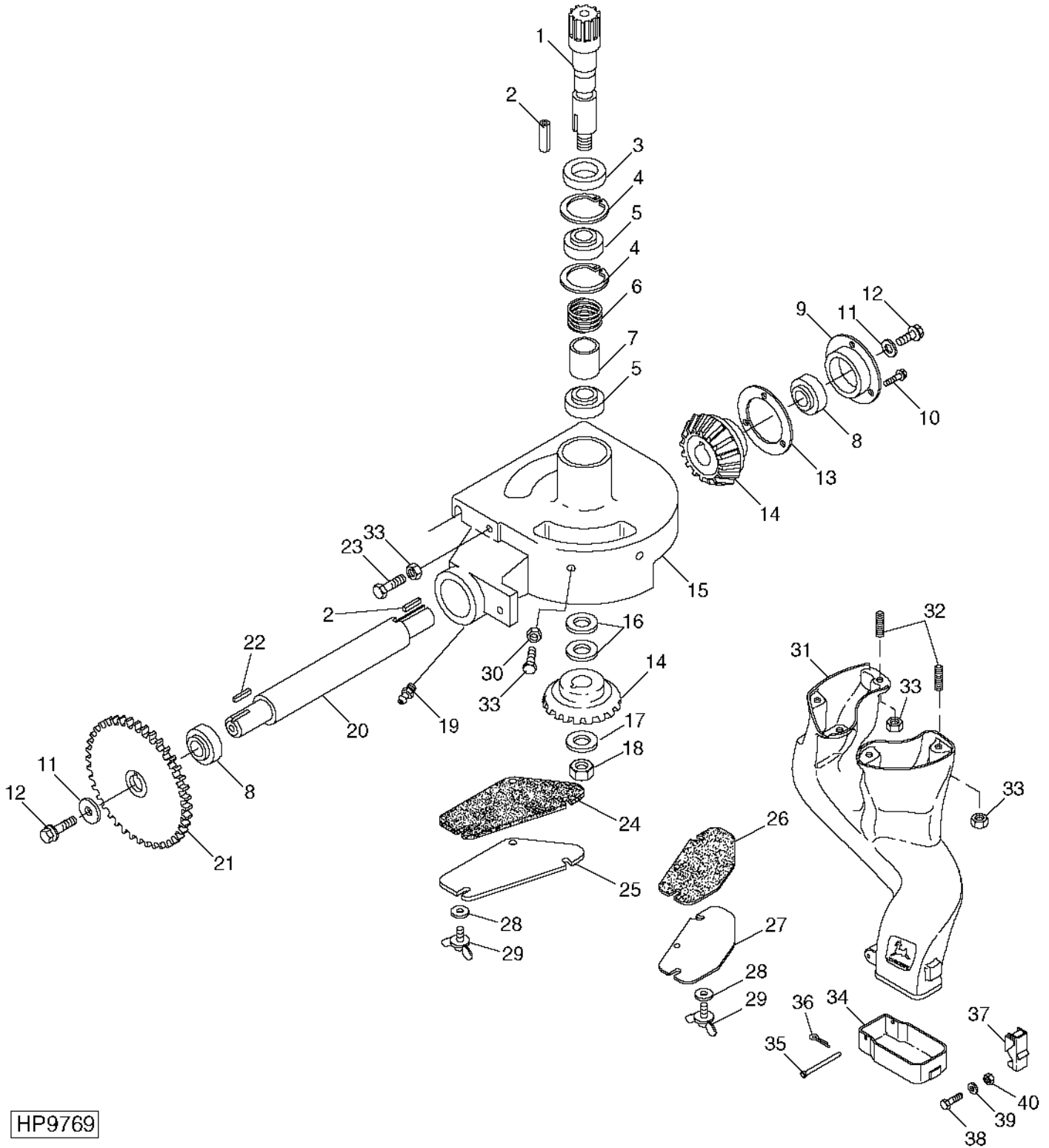
GRAIN TANK EXTENSIONS - CONTINUED

KEY	PART NO.	PART NAME	QTY	SERIAL NO.	S H 9 9 5 5 0 0 0 0	REMARKS
1	19M7867	SCREW	AR		X X	M8 X 25
2	B27370	WASHER	AR		X X	8.330 X 19.050 X 0.910 MM (0.328" X 3/4" X 0.036")
	24H1290	WASHER	AR		X X	21/64" X 3/4" X 0.035"
3	14M7396	LOCK NUT	AR		X X	M8
4	AH135222	PANEL	1		X X	(SUB FOR AH122262) FRONT CENTER
5	AH122265	PANEL	1		X X	R.H. FRONT
6	03M7184	BOLT	AR		X X	M8 X 20
	14M7298	FLANGE NUT	AR		X X	M8
7	AH135227	PANEL	1		X X	(SUB FOR AH120993) R.H.
8	03M7184	BOLT	6		X X	M8 X 20
9	H127250	REINFORCEMENT	1		X X	R.H. FRONT CORNER
10	M84309	NUT	6		X X	7.925 MM (5/16") (SUB FOR H131531)
11	14M7020	WING NUT	6		X X	M8
12	H125753	BRACKET	1		X X	R.H. REAR CORNER
13	AH135229	PANEL	1		X X	(SUB FOR AH125286) REAR
14	H125752	BRACKET	1		X X	L.H. REAR CORNER
15	H125670	HINGE	1		X X	
16	H125672	PIN	1		X X	
17	H129825	BRACKET	2	-29SEP7	X X	
	H164404	BRACKET	2		X X	
18	19M7866	SCREW	AR		X X	M8 X 20
	14M7298	FLANGE NUT	AR		X X	M8
19	AH135225	PANEL	1		X X	(SUB FOR AH121341) L.H.
20	H125671	PANEL	1		X X	L.H. OUTER
21	AH122264	PANEL	1		X X	L.H. FRONT

10D13

CLEAN GRAIN ELEVATOR, GRAIN TANK AND UNLOADING AUGER

VERTICAL AUGER LOWER GEAR CASE
HP9769 -UN-23MAY00



HP9769

10D14

CLEAN GRAIN ELEVATOR, GRAIN TANK AND UNLOADING AUGER

VERTICAL AUGER LOWER GEAR CASE - CONTINUED

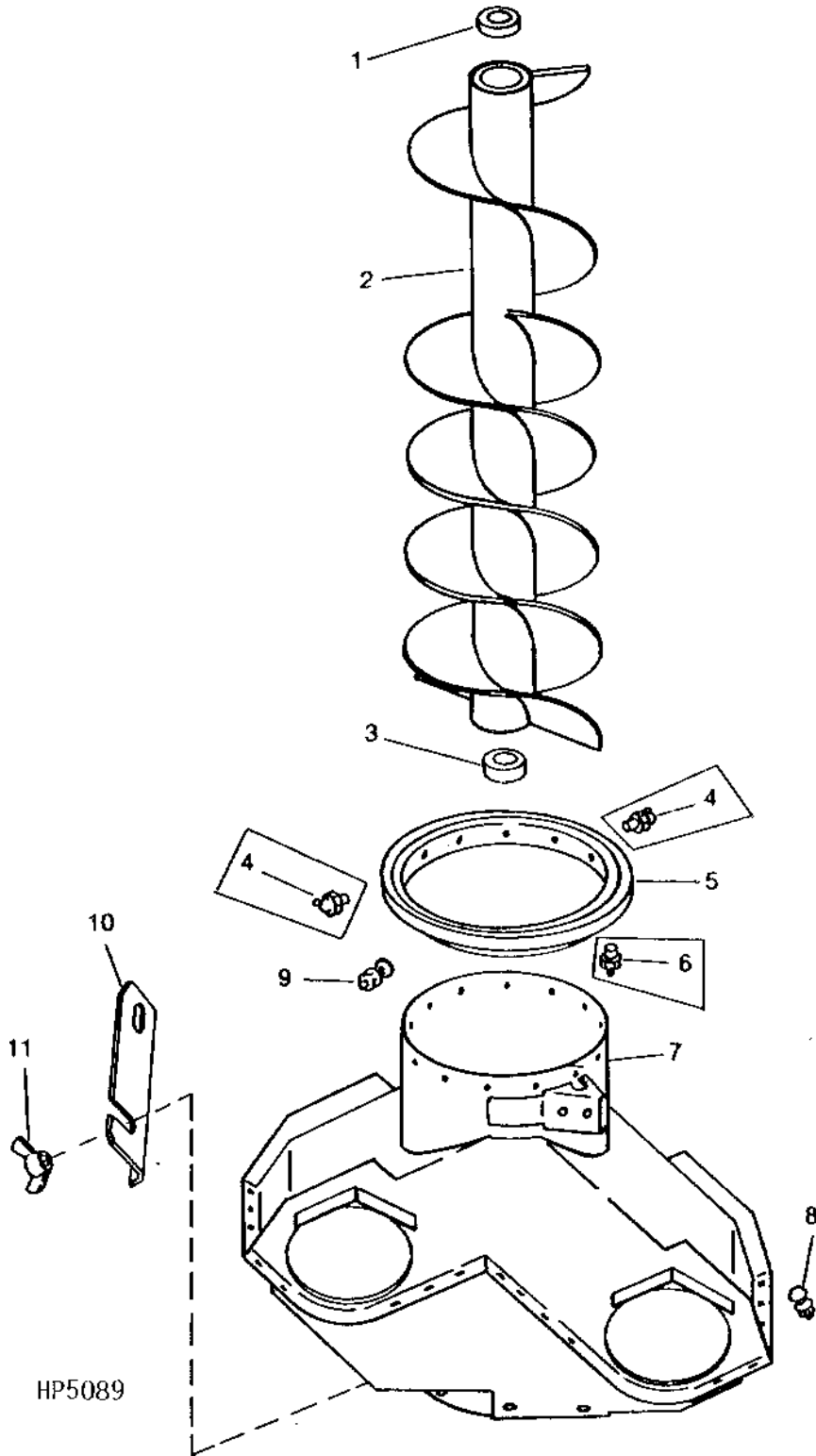
KEY	PART NO.	PART NAME	QTY	SERIAL NO.	S H 9 9 5 5 0 0 0 0	REMARKS
1	H96169	SHAFT	1		X X	LOWER
2	KEY	2		X X	10 MM X 10 MM 32 MM (3/8" X 3/8" X 1-1/4") (CUT FROM H64376 IN AH64587 KEY STOCK KIT)
3	AH90963	SEAL	1		X X	
4	N71921	SNAP RING	2		X X	
5	AH96585	BEARING	2		X X	
6	H96267	SPRING	1		X X	
7	H96149	BUSHING	1		X X	
8	JD8524	BEARING	2		X X	
9	H113053	BEARING HOUSING W/O BEARING	1		X X	
10	19M7785	SCREW	3		X X	M10 X 25
11	H129716	WASHER	2		X X	
12	19M7843	SCREW	2		X X	M16 X 35
13	H96297	SHIM	1		X X	0.254 MM (0.010")
	H96298	SHIM	2	-661479	X X	0.508 MM (0.020")
	H96298	SHIM	1	661480-	X X	0.508 MM (0.020")
14	H96294	GEAR	2		X X	23 TOOTH
15	H130137	CASE	1		X X	
16	24H1533	SHIM	1	-655864	X X	0.018"
	24H1533	SHIM	2	655865-	X X	0.018"
17	24H1433	WASHER	1		X X	29/32" X 2-1/4" X 1/4"
18	H29623	LOCK NUT	1		X X	22.225 MM (7/8")
19	JD7778	LUBRICATION FITTING	1	-650200	X X	
	JD7763	LUBRICATION FITTING	1	650201-651147	X X	45 DEGREE
	JD7759	LUBRICATION FITTING	1	651148-	X X	STRAIGHT
20	H129653	SHAFT	1		X X	
21	AH125080	DRIVE SPROCKET	1		X X	46 TOOTH
	AH146352	DRIVE SPROCKET	1	661186-	X X	(RICE ONLY) 40 TOOTH
22	KEY	1		X X	10 MM X 10 MM X 38 MM (3/8" X 3/8" X 1-1/2") (CUT FROM H64376 IN AH64587 KEY STOCK)
23	19M7835	SCREW	1		X X	M10 X 35
24	H135192	SEAL	1		X X	FRONT
25	H136572	COVER	1		X X	FRONT
26	H135193	SEAL	1		X X	REAR
27	H136573	COVER	1		X X	REAR
28	24M7178	WASHER	5		X X	10.500 X 30 X 2.500 MM
29	21M7236	WING SCREW	5		X X	M10 X 16
30	19M7786	SCREW	8		X X	M10 X 30
31	AH167433	CHUTE	1		X X	
32	22M7149	SET SCREW	5		X X	M10 X 30
33	14M7296	FLANGE NUT	14		X X	M10
34	H173223	CAP	1		X X	
35	M112271	PIN	1		X X	
36	J16931	SPRING LOCKING PIN	1		X X	
37	AH168300	LATCH	1		X X	
38	21M7284	SCREW	4		X X	
39	24M7029	SHIM	4		X X	
40	14M7196	NUT	4		X X	

10D15

CLEAN GRAIN ELEVATOR, GRAIN TANK AND UNLOADING AUGER

VERTICAL UNLOADING AUGER AND CHARGE HOUSING

HP5089 -UN-01JAN94



10D16

CLEAN GRAIN ELEVATOR, GRAIN TANK AND UNLOADING AUGER

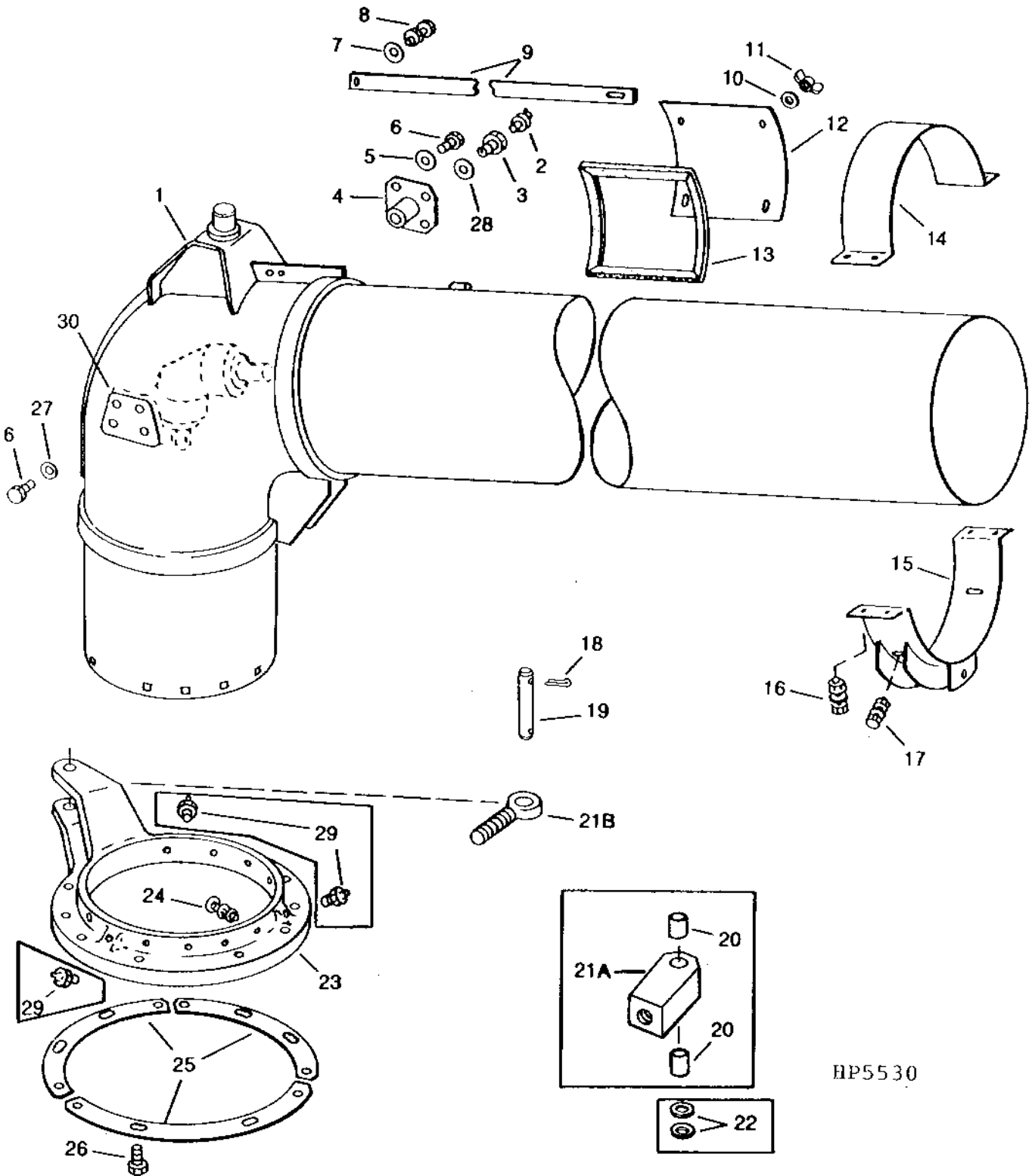
VERTICAL UNLOADING AUGER AND CHARGE HOUSING - CONTINUED

KEY	PART NO.	PART NAME	QTY	SERIAL NO.	S H 9 5 0 0	REMARKS
1	H128861	SPLINED COUPLING	1		X X	
2	AH124852	AUGER	1		X X	REGULAR
	AH140081	FLIGHT	1	645200-	X X	STAINLESS STEEL
3	AH124878	EXTERNAL HALF COUPLER	1		X X	
4	JD7788	LUBRICATION FITTING	2	-631863	X	45°
5	H129855	RING	1	-635322	X	
	H141410	RING	1	635323-646970	X X	
	H146775	RING	1	646971-	X X	
6	JD7797	LUBRICATION FITTING	1	-631863	X	STRAIGHT
7	AH136023	HOUSING	1	-646970	X X	(SUB FOR AH131239)
	AH140713	HOUSING	1	646971-	X X	
8	03M7190	BOLT	30		X X	M10 X 20
	14M7296	FLANGE NUT	30		X X	M10
9	03M7191	BOLT	12	-646970	X X	M10 X 25
	03M7198	BOLT	12	646971-	X X	M12 X 30
	14M7296	FLANGE NUT	12	-646970	X X	M10
	14M7299	FLANGE NUT	12	646971-	X X	M12
10	H130771	PLATE	1		X X	
11	14M7020	WING NUT	2		X X	M8
..	WEATHERSTRIP	AR		X X	(USE WITH H130771) (CUT FROM H81330)

10D17

CLEAN GRAIN ELEVATOR, GRAIN TANK AND UNLOADING AUGER

HORIZONTAL UNLOADING AUGER SWIVEL
HP5530 -UN-01JAN94



HP5530

10D18

CLEAN GRAIN ELEVATOR, GRAIN TANK AND UNLOADING AUGER

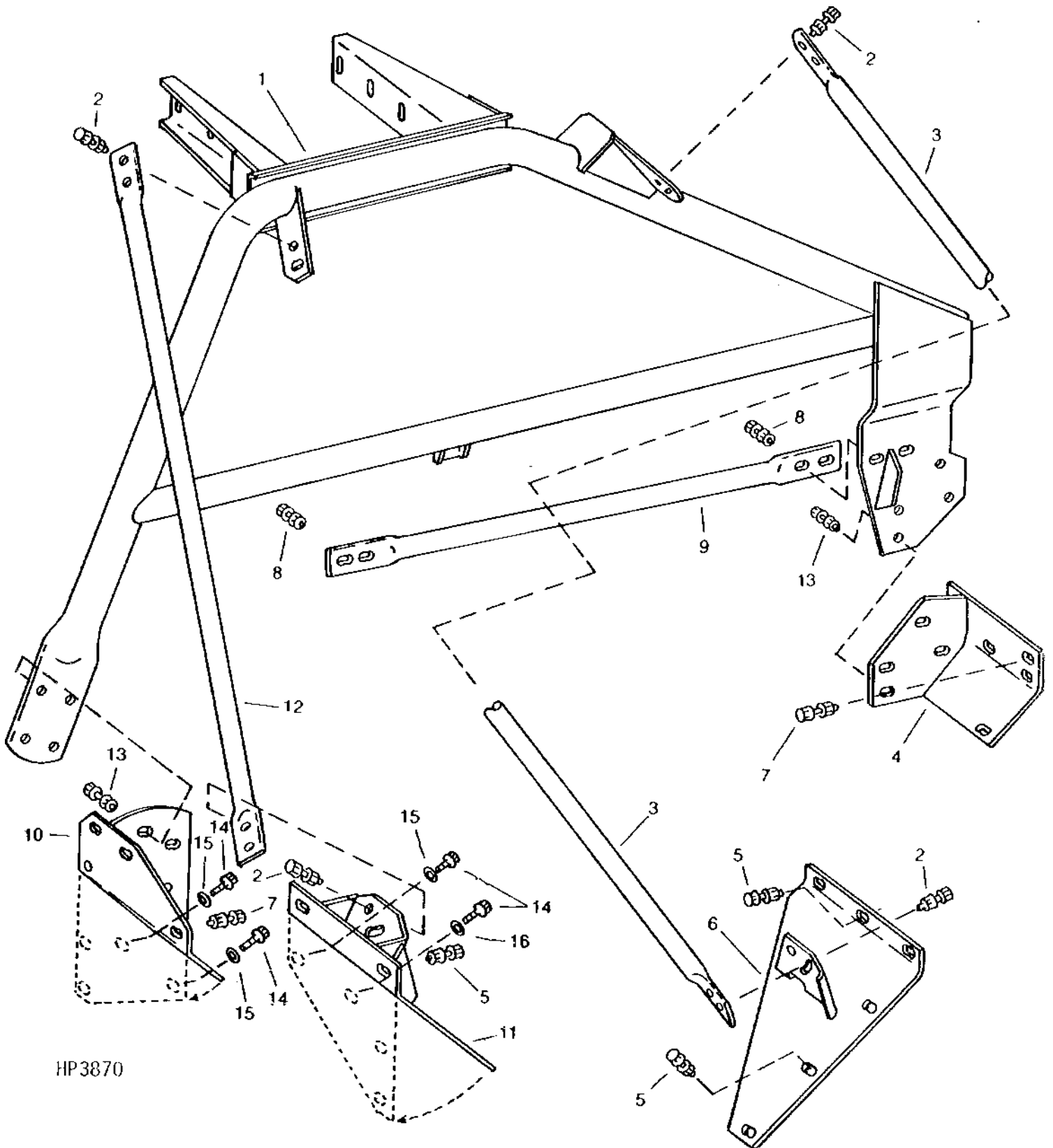
HORIZONTAL UNLOADING AUGER SWIVEL - CONTINUED

KEY	PART NO.	PART NAME	QTY	SERIAL NO.	S H 9 5 0 0	REMARKS
1	AH162400	HOUSING	1		X X	(SUB FOR AH131240, AH131241 OR AH145051)
2	JD7806	LUBRICATION FITTING	1		X X	90 DEGREE
3	H96228	SCREW	1		X X	
4	AH123912	SUPPORT	1		X X	
5	12H304	LOCK WASHER	4		X X	3/8"
6	19H2676	CAP SCREW	4		X X	3/8" X 1"
7	24H1305	WASHER	1		X X	13/32" X 13/16" X 0.065"
8	19H1732	CAP SCREW	1		X X	3/8" X 1-1/4"
	E55662	FLANGE NUT	1		X X	3/8"
9	H116351	STRAP	1		X X	
10	24M7207	WASHER	4		X X	8.400 X 24 X 2 MM, (SUB FOR 24H1224)
11	14H785	NUT	4		X X	5/16"
12	H96652	DOOR	1		X X	
13	WEATHERSTRIP	AR		X X	(CUT FROM H81330)
14	H133178	CLAMP	1		X X	
15	AH136153	STRAP	1	632511-	X X	(SUB FOR AH128038)
16	19M7786	SCREW	4		X X	M10 X 30
	24H1311	WASHER	4		X X	13/32" X 1-1/4" X 0.220"
	14M7296	FLANGE NUT	4		X X	M10
17	03M7190	BOLT	2		X X	M10 X 20
	14M7296	FLANGE NUT	2		X X	M10
18	11M7038	COTTER PIN	2		X X	6.300 X 40 MM
19	H138930	PIN	1		X X	
20	R50875	BUSHING	2	-650200	X X	
21A	H137225	END	1	-650200	X X	
21B	H148376	EYEBOLT	1	650201-		
22	24M7045	WASHER	2	-630288	X	23 X 34 X 4 MM, NOT REQUIRED WITH H137227
23	H137227	RING	1		X X	(SUB FOR H129550) DOES NOT REQUIRE 24M7045 WASHERS
24	03M7353	BOLT	12		X X	M12 X 30
	14M7299	FLANGE NUT	12		X X	M12
25	H131356	SECTOR	3		X X	
26	19M7784	SCREW	12	-643457	X	M10 X 20
	19M7784	SCREW	8	643458-	X X	M10 X 20
	19M7783	SCREW	4	643458-	X X	M10 X 16
27	24H1308	WASHER	4		X X	13/32" X 1" X 0.134"
28	12H294	LOCK WASHER	1		X X	5/8"
29	JD7759	LUBRICATION FITTING	3	-637270	X	
30	H147752	PLATE	1	646485-	X X	

10D19

CLEAN GRAIN ELEVATOR, GRAIN TANK AND UNLOADING AUGER

AUGER SWIVEL SUPPORT AND BRACES
HP3870 -UN-01JAN94



HP3870

10D20

CLEAN GRAIN ELEVATOR, GRAIN TANK AND UNLOADING AUGER

AUGER SWIVEL SUPPORT AND BRACES - CONTINUED

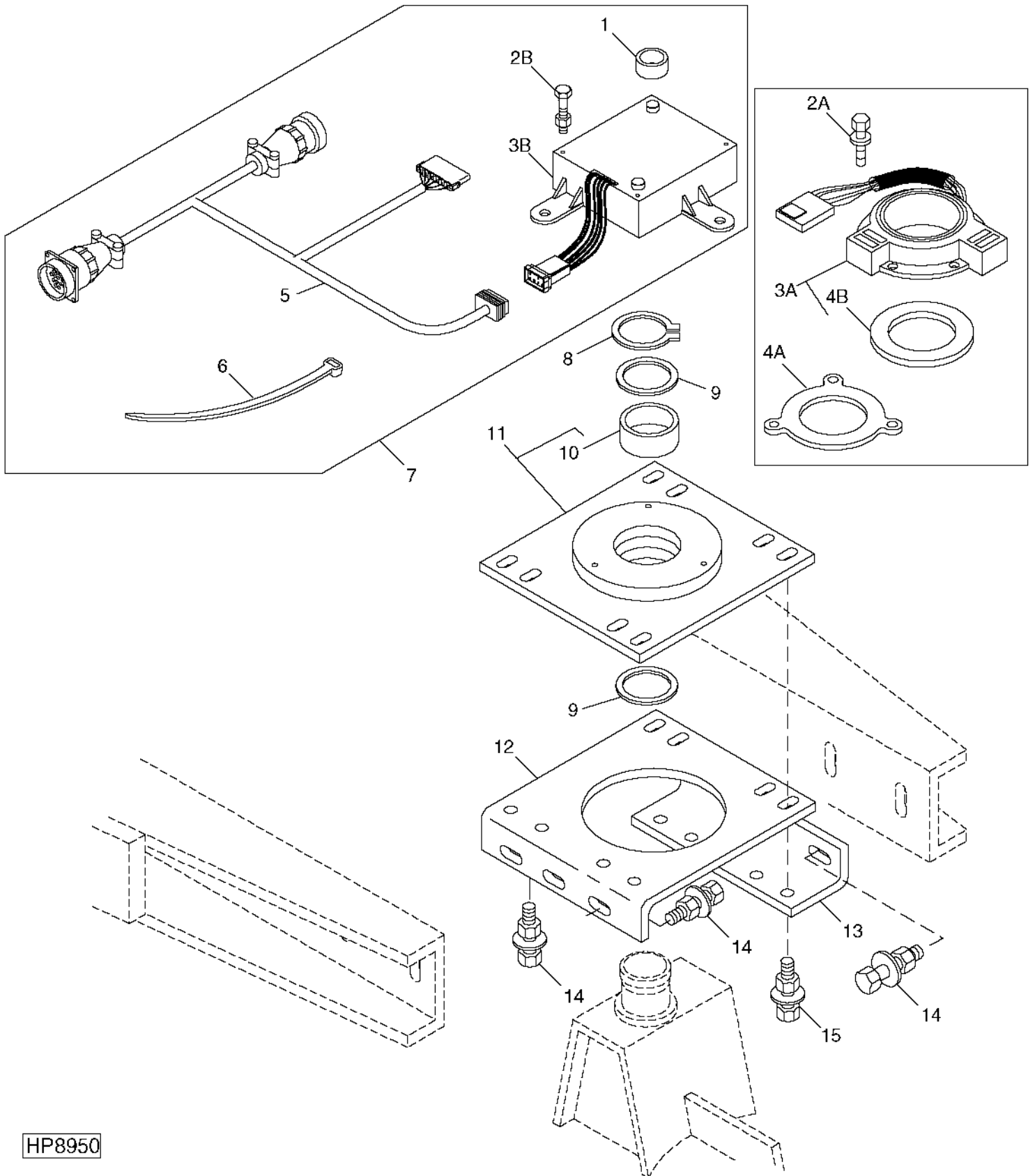
KEY	PART NO.	PART NAME	QTY	SERIAL NO.	REMARKS
					S
					H
					9 9
					5 5
					0 0
					0 0
1	AH140790	FRAME	1	X X	(SUB FOR AH126280, AH131559 OR AH139996)
2	19M7793	SCREW	12	X X	M16 X 40
	14M7291	FLANGE NUT	12	X X	M16
3	H131256	BRACE	1	X X	FRONT
4	AH126281	ANCHOR	1	X X	LEFT HAND FRONT
5	19M7789	SCREW	6	X X	M12 X 30
	14M7299	FLANGE NUT	6	X X	M12
6	AH126283	ANCHOR	1	X X	RIGHT HAND FRONT
7	19M7788	SCREW	6	X X	M12 X 25
	14M7299	FLANGE NUT	6	X X	M12
8	19M7843	SCREW	4	X X	M16 X 35
	14M7291	FLANGE NUT	4	X X	M16
9	H131261	BRACE	1	X X	CHARGE HOUSING
10	AH126282	ANCHOR	1	X X	LEFT HAND REAR
11	AH126284	ANCHOR	1	X X	RIGHT HAND REAR
12	H131259	BRACE	1	X X	REAR
13	19M7793	SCREW	8	X X	M16 X 40
	14M7291	FLANGE NUT	8	X X	M16
14	19M7791	SCREW	4	X X	M12 X 40
15	24H1347	WASHER	3	X X	17/32" X 2" X 0.194"
16	24H1380	WASHER	1	X X	11/16" X 1-3/4" X 0.194", R.H. OUTER

10D21

CLEAN GRAIN ELEVATOR, GRAIN TANK AND UNLOADING AUGER

HORIZONTAL UNLOADING AUGER HUB SUPPORT AND SWITCH

HP8950 -UN-24AUG99



HP8950

10D22

CLEAN GRAIN ELEVATOR, GRAIN TANK AND UNLOADING AUGER

HORIZONTAL UNLOADING AUGER HUB SUPPORT AND SWITCH - CONTINUED

KEY	PART NO.	PART NAME	QTY	SERIAL NO.	S H 9 5 0 0	REMARKS
1	28H3377	BUSHING	2		X X	10.744 X 17.145 X 44.450 MM, (A)
2A	19M6755	CAP SCREW	3	641505-670000	X X	M6 X 35
	24M7139	WASHER	3	29SEP7-670000	X X	6.400 X 18 X 1.600 MM
2B	19M8402	CAP SCREW	2		X X	M8 X 65, (A)
	14M7298	FLANGE NUT	2		X X	M8, (A)
3A	AH142999	SWITCH	1	647404-670000	X X	(SUB AH163979) (SUB FOR AH128906, AH137183 AND AH140989) (INCLUDES H148702 GASKET)
3B	AH155480	MODULE	1		X X	(A)
4A	H128489	GASKET	1	-647107	X X	(SUB H148702)
4B	H148702	GASKET	1	-670000	X X	
5	AH156413	WIRING HARNESS	1		X X	(A)
6	R44302	TIE BAND	6		X X	(A)
7	AH163979	KIT	1		X X	(INCLUDES PARTS MARKED (A) AND INSTRUCTIONS H168641)
8	40M7166	SNAP RING	1		X X	(SUB FOR 40M1839)
9	H132097	WASHER	2		X X	
10	H128479	BUSHING	1		X X	
11	AH123602	HUB	1		X X	
12	H131263	SUPPORT	1		X X	
13	H131262	ANGLE	1		X X	HUB MOUNTING
14	19M7790	SCREW	10		X X	M12 X 35
	24M7180	WASHER	10		X X	13 X 37 X 3 MM
	14M7299	FLANGE NUT	10		X X	M12
15	19M7791	SCREW	4		X X	M12 X 40
	24M7180	WASHER	4		X X	13 X 37 X 3 MM
	14M7299	FLANGE NUT	4		X X	M12

10D24

CLEAN GRAIN ELEVATOR, GRAIN TANK AND UNLOADING AUGER

HORIZONTAL UNLOADING AUGER HOUSING - CONTINUED (14 FT. AND 17 FT.)

KEY	PART NO.	PART NAME	QTY	SERIAL NO.	S H 9 9 5 5 0 0 0 0	REMARKS
1A	H109093	SPOUT	1			(SUB H141449)
1B	H141449	SPOUT	1		X X	(SUB H149780)
1C	H149780	SPOUT	1		X X	(SUB FOR H109093 OR H141449)
2	19M7867	SCREW	4	640201-	X X	M8 X 25
3	24H1291	WASHER	8	640201-	X X	21/64" X 1-15/32" X 7/64"
4	14M7298	FLANGE NUT	4	640201-	X X	M8
5	19M7868	SCREW	7		X X	M8 X 30
	14M7298	FLANGE NUT	7		X X	M8
6	AH145047	HOUSING	1		X X	(2755 MM LONG) (SUB FOR AH122874) SOLID (USE WITH 14 FT. (4.3M) AUGER)
	AH145049	HOUSING	1		X X	(3670 MM LONG) (SUB FOR AH129066 OR AH140334) SOLID (USE WITH 17 FT. (5.2M) AUGER)
	AH145048	HOUSING	1			(2755 MM LONG) (SUB FOR AH122875) PERFORATED (USE WITH 14 FT. (4.3M) AUGER)
	AH140335	HOUSING	1		X X	(SUB FOR AH128682) PERFORATED (3670 MM LONG) (USE WITH 17 FT. (5.2M) AUGER)
7	19M7867	SCREW	8		X X	M8 X 25
8	24M7207	WASHER	8		X X	8.400 X 24 X 2 MM
9	14M7298	FLANGE NUT	8		X X	M8
10	03M7184	BOLT	2	640201-	X X	M8 X 20
11	19M7897	SCREW	7		X X	M8 X 35
	14M7298	FLANGE NUT	7		X X	M8
12	H127998	COVER	1		X X	(USE WITH PERFORATED AUGER HOUSING)
13	H141450	STRAP	1	640201-	X X	
14	24H1291	WASHER	4		X X	21/64" X 1-15/32" X 7/64"
15	14M7298	FLANGE NUT	2		X X	M8
16	14M7298	FLANGE NUT	1		X X	M8
17	24H1291	WASHER	1		X X	21/64" X 1-15/32" X 7/64"
18	19M7867	SCREW	1		X X	M8 X 25
19	19M7863	SCREW	3	-655200	X X	M6 X 25
	19M7796	SCREW	3	655201-	X X	M6 X 30
20	24H1291	WASHER	9		X X	21/64" X 1-15/32" X 7/64"
21	28H5	WASHER	3		X X	0.269" X 0.405" X 1/4"
22	14M7303	FLANGE NUT	3		X X	M6

10E1

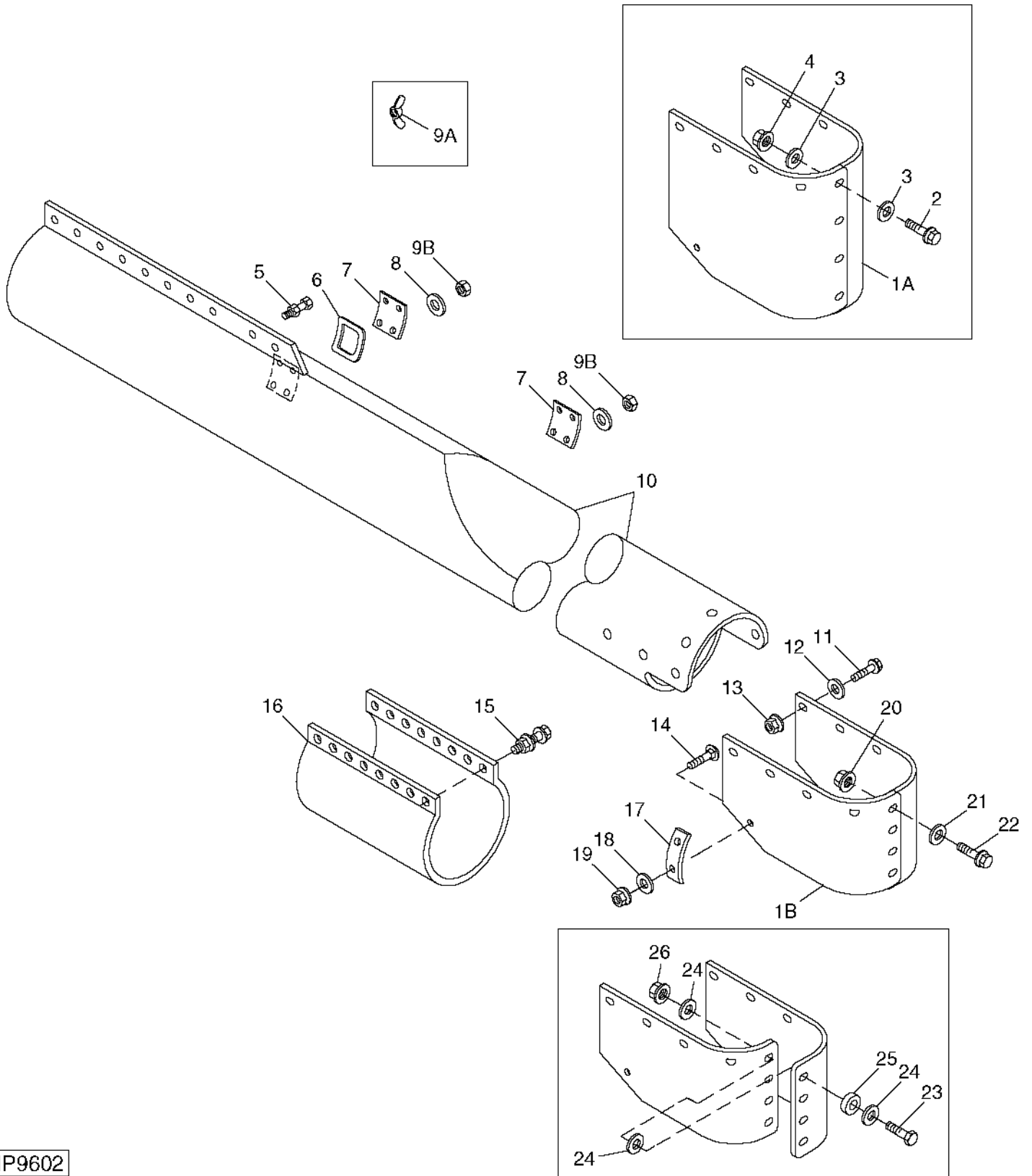
CLEAN GRAIN ELEVATOR, GRAIN TANK AND UNLOADING AUGER

HORIZONTAL UNLOADING AUGER HOUSING

(17 AND 20 FT.)

HP9602

-UN-01MAY00



HP9602

10E2

CLEAN GRAIN ELEVATOR, GRAIN TANK AND UNLOADING AUGER

HORIZONTAL UNLOADING AUGER HOUSING - CONTINUED (17 AND 20 FT.)

KEY	PART NO.	PART NAME	QTY	SERIAL NO.	S H 9 5 0 0 0 0	REMARKS
1A	H141449	SPOUT	1	-651467	X X	(SUB H149780) USE WITH THE 17FT AND 20FT AUGER(SUB FOR H109093)
1B	H149780	SPOUT	1		X X	USE WITH THE 17FT AND 20FT AUGER
2	19M7867	SCREW	4		X X	M8 X 25
3	24H1291	WASHER	8		X X	21/64" X 1-15/32" X 7/64"
4	14M7298	FLANGE NUT	4		X X	M8
5	19M7868	SCREW	11		X X	M8 X 30
	14M7396	LOCK NUT	11		X X	M8
6	WEATHERSTRIP	1		X X	CUT FROM H81330 (USE WITH THE 20FT AUGER)
7	H96652	DOOR	1		X X	USE WITH THE 20FT AUGER
8	24H1224	WASHER	4		X X	11/32" X 1" X 1/16", USE WITH THE 20FT AUGER
9A	14H819	WING NUT	4	-671077	X X	5/16", USE WITH THE 20FT AUGER
9B	14H785	NUT	8	671078-	X X	5/16"
10	AH129066	HOUSING	1	-641443	X X	(SUB AH140334) (17FT. AUGER) (SOLID, 3670MM LONG)
	AH140334	HOUSING	1	-660200	X X	(SUB AH145049) (17FT. AUGER) (SOLID, 3670MM LONG)
	AH145049	HOUSING	1		X X	(17 FT. AUGER) (SOLID, 3670 MM LONG)
	AH128682	HOUSING	1	-641443	X X	(SUB AH140335) (17FT. AUGER) (PERFORATED, 3670MMLONG)
	AH140335	HOUSING	1		X X	(17FT. AUGER) (PERFORATED, 3670MM LONG)
	AH112865	HOUSING	1	-660200	X X	(SUB AH145050) (20FT. AUGER) (SOLID, 4585MM LONG)
	AH145050	HOUSING	1		X X	(20 FT AUGER) (SOLID, 4585 MM LONG)
	AH113392	HOUSING	1		X X	(20FT. AUGER) (PERFORATED, 4585MM LONG)
11	19M7867	SCREW	8		X X	M8 X 25
12	24M7207	WASHER	8		X X	8.400 X 24 X 2 MM
13	14M7298	FLANGE NUT	8		X X	M8
14	03M7184	BOLT	2		X X	M8 X 20
15	19M7897	SCREW	7		X X	M8 X 35
	14M7298	FLANGE NUT	7		X X	M8
16	H127998	COVER	1		X X	(17FT. AUGER) USE WITH PERFORATED AUGER HOUSING
	H100027	COVER	1		X X	(20FT. AUGER) USE WITH PERFORATED AUGER HOUSING
17	H141450	STRAP	1		X X	
18	24H1291	WASHER	4		X X	21/64" X 1-15/32" X 7/64"
19	14M7298	FLANGE NUT	2		X X	M8
20	14M7298	FLANGE NUT	1		X X	M8
21	24H1291	WASHER	1		X X	21/64" X 1-15/32" X 7/64"
22	19M7867	SCREW	1		X X	M8 X 25
23	19M7863	SCREW	3		X X	M6 X 25
24	24H1291	WASHER	9		X X	21/64" X 1-15/32" X 7/64"
25	28H5	WASHER	3		X X	0.269" X 0.405" X 1/4"
26	14M7303	FLANGE NUT	3		X X	M6

10E3

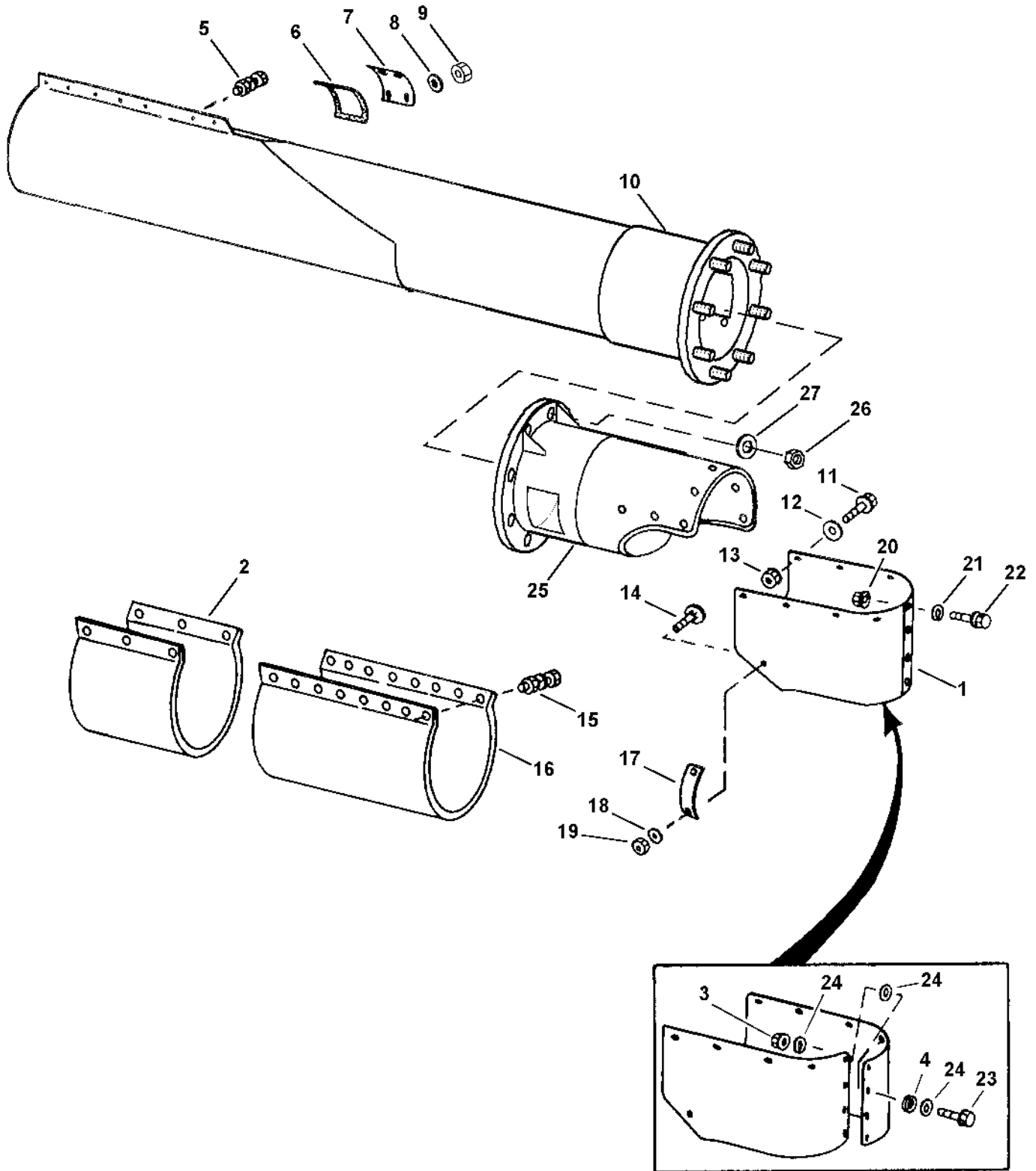
CLEAN GRAIN ELEVATOR, GRAIN TANK AND UNLOADING AUGER

HORIZONTAL UNLOADING AUGER HOUSING (EXPORT)

(17 AND 20 FT.)

HP7526

-UN-04MAY98



HP7526

10E4

CLEAN GRAIN ELEVATOR, GRAIN TANK AND UNLOADING AUGER

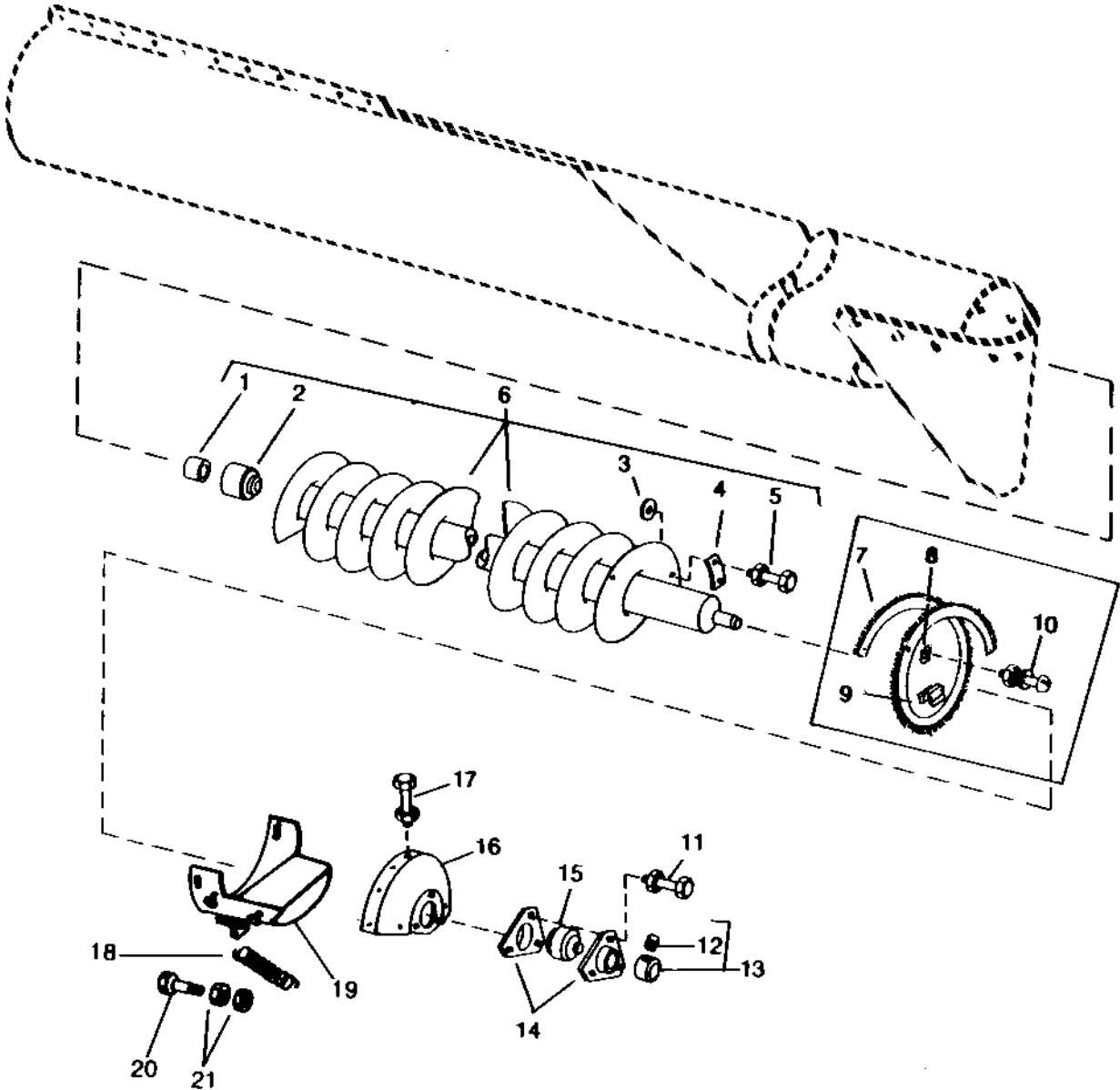
HORIZONTAL UNLOADING AUGER HOUSING (EXPORT) - CONTINUED (17 AND 20 FT.)

KEY	PART NO.	PART NAME	QTY	SERIAL NO.	REMARKS
1	H149780	SPOUT	1		USE WITH 17FT AND 20FT AUGERS
2	H159784	COVER	1		UNLOADING AUGER
3	14M7303	FLANGE NUT	3		M6
4	24H1291	WASHER	9		21/64" X 1-15/32" X 7/64"
5	19M7868	SCREW	11		M8 X 30
	14M7396	LOCK NUT	11		M8
6	WEATHERSTRIP	1		CUT FROM H81330 (USE WITH THE 20FT AUGER)
7	H96652	DOOR	2		USE WITH THE 20FT AUGER
8	24M7207	WASHER	8		8.400 X 24 X 2 MM, USE WITH THE 20FT AUGER
9	14H785	NUT	8		5/16", USE WITH THE 20FT AUGER
10	AH151407	HOUSING	1		INNER
	AH151411	HOUSING	1		6.1M RIGID, OUTER
11	19M7867	SCREW	8		M8 X 25
12	24M7207	WASHER	8		8.400 X 24 X 2 MM
13	14M7298	FLANGE NUT	8		M8
14	03M7184	BOLT	2		M8 X 20
15	19M7897	SCREW	10		M8 X 35
	14M7298	FLANGE NUT	10		M8
16	H127998	COVER	1		(17FT. AUGER) USE WITH PERFORATED AUGER HOUSING
	H100027	COVER	1		(20FT. AUGER) USE WITH PERFORATED AUGER HOUSING
17	H141450	STRAP	1		
18	24H1291	WASHER	4		21/64" X 1-15/32" X 7/64"
19	14M7298	FLANGE NUT	2		M8
20	14M7298	FLANGE NUT	1		M8
21	24H1291	WASHER	1		21/64" X 1-15/32" X 7/64"
22	19M7867	SCREW	2		M8 X 25
23	19M7863	SCREW	3		M6 X 25
	19M7796	SCREW	3		M6 X 30
24	28H5	WASHER	3		0.269" X 0.405" X 1/4"
25	AH151408	HOUSING	1		5.2M PERFORATED, INNER
	AH151409	HOUSING	1		6.1M PERFORATED, OUTER
	AH151410	HOUSING	1		5.2M RIGID, OUTER
26	14M7296	FLANGE NUT	8		M10
27	24M7207	WASHER	8		8.400 X 24 X 2 MM

10E5

CLEAN GRAIN ELEVATOR, GRAIN TANK AND UNLOADING AUGER

HORIZONTAL UNLOADING AUGER
(14- AND 17-FT. (1) PIECE AUGERS)
HP5883 -UN-15OCT94



HP5883

10E6

CLEAN GRAIN ELEVATOR, GRAIN TANK AND UNLOADING AUGER

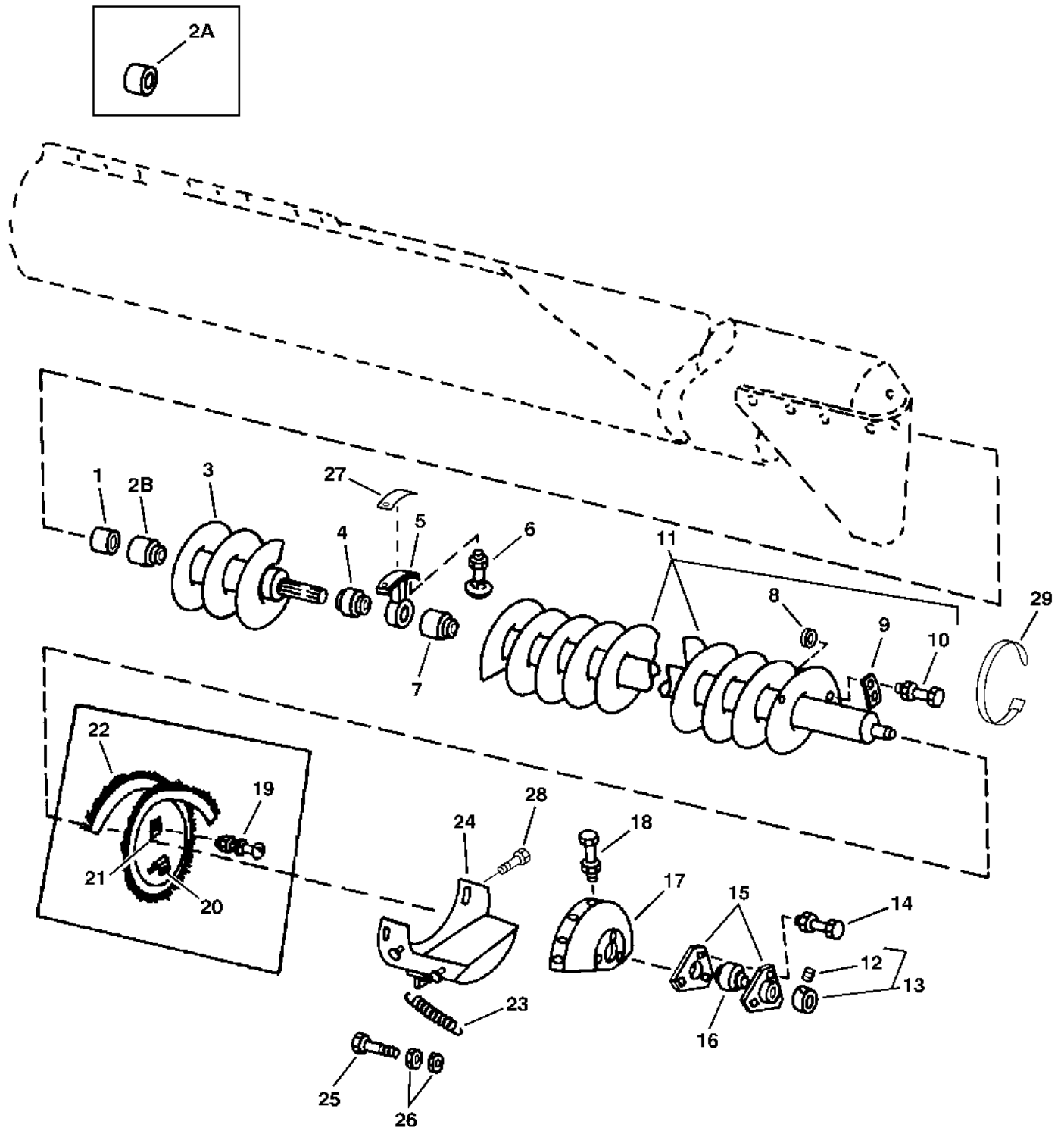
HORIZONTAL UNLOADING AUGER - CONTINUED (14 AND 17 FT. (1) PIECE AUGERS)

KEY	PART NO.	PART NAME	QTY	SERIAL NO.	S H 9 5 0 0 0 0	REMARKS
1	N72989	BUSHING	1		X X	
2	AH122717	GUDGEON	1		X X	(14 FT. ONLY) FOR AUGER REPAIR ONLY
	H127921	SPLINED COUPLING	1		X	W/O WASHER (17 FT. ONLY)FOR AUGER REPAIR ONLY
3	24H1300	WASHER	AR		X X	25/64" X 2" X 0.220"
	24H1311	WASHER	AR		X X	13/32" X 1-1/4" X 0.220"
4	H119566	STRIP	AR		X X	100 MM (4") LONG
	H119567	STRIP	AR		X X	120 MM (5") LONG
	H119568	STRIP	AR		X X	150 MM (6") LONG
5	03H1495	BOLT	AR		X X	3/8" X 1-1/2"
	03H1557	BOLT	AR		X X	3/8" X 1-1/4"
	K40003	LOCK NUT	AR		X X	
6	AH143731	AUGER	1		X X	(SUB FOR AH123436 OR AH132032) (14 FT.) INCLUDES AH122717 AND H127921
	AH143729	AUGER	1		X X	(SUB FOR AH123437 OR AH132033) (17 FT.) INCLUDES AH122717 AND H127921
7	AH111354	SEAL	1	-640200	X	
8	H113717	CLIP	3	-640200	X	
9	H114709	CLIP	6	-640200	X	
10	21H1304	SCREW	3		X	5/16" X 3/4", (SUB FOR 21H1029)
	12H303	LOCK WASHER	3	-640200	X	5/16"
	14H785	NUT	3	-640200	X	5/16"
11	03M7184	BOLT	3		X X	M8 X 20
	14M7298	FLANGE NUT	3		X X	M8
12	22H897	SET SCREW	1		X X	1/4" X 1/4"
13	JD8554	ECCENTRIC LOCKING COLLAR	1		X X	
14	H103264	PRESSED FLANGED HOUSING	2		X X	
15	JD8665	BALL BEARING	1		X X	
16	H96645	CAP	1		X X	
17	19M7866	SCREW	5		X X	M8 X 20
	14M7298	FLANGE NUT	5		X X	M8
18	J18468	SPRING	2	640201-	X X	
19	AH132230	DOOR	1	640201-	X X	(INCLUDES Z24604)
20	19M7868	SCREW	1	660201-	X X	M8 X 30
21	14M7298	FLANGE NUT	2	660201-	X X	M8

10E7

CLEAN GRAIN ELEVATOR, GRAIN TANK AND UNLOADING AUGER

HORIZONTAL UNLOADING AUGER
(17 AND 20 FT. (2) PIECE AUGERS)
HP6715 -UN-14MAY97



HP6715

10E8

CLEAN GRAIN ELEVATOR, GRAIN TANK AND UNLOADING AUGER

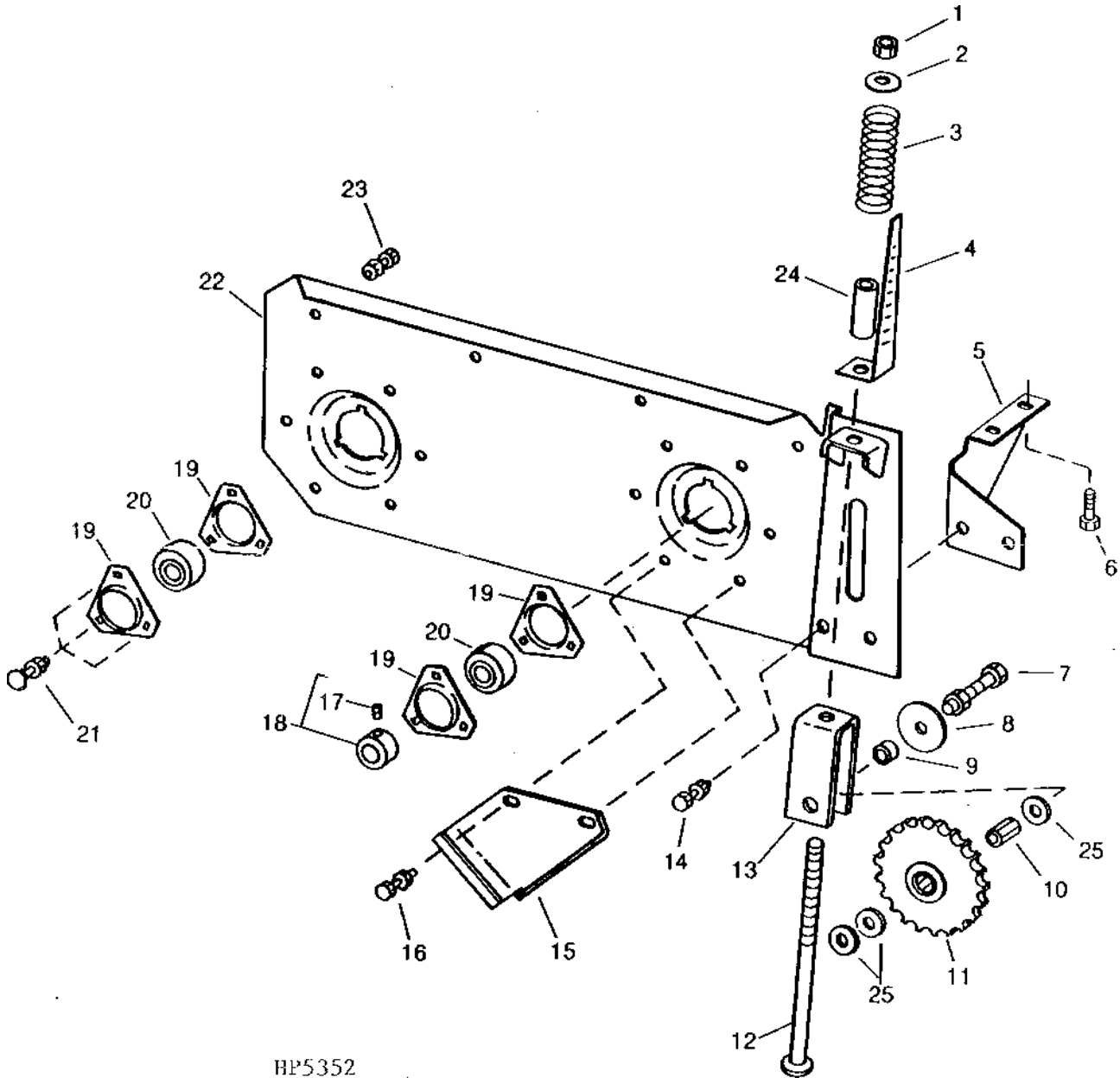
HORIZONTAL UNLOADING AUGER - CONTINUED (17 AND 20 FT. (2) PIECE AUGERS)

KEY	PART NO.	PART NAME	QTY	SERIAL NO.	S H 9 5 0 0 0 0	REMARKS
1	N72989	BUSHING	1		X X	
2A	H116292	SPLINED COUPLING	1		X X	
2B	AH122717	GUDGEON	1	671078-	X X	USED ON 5.2M AND 6.1M AUGER
3	AH112435	AUGER	1	-671077	X X	(5-1/2 FT.) PLUS 14 FT. EQUALS 20 FT.
	AH151413	AUGER	1	671078-	X X	5.2M, OUTER
	AH151414	AUGER	1	671078-	X X	6.1M, OUTER
4	JD9373	BALL BEARING	1		X X	
5	H114873	HOUSING	1		X X	
6	03M7192	BOLT	2	-671077	X X	M10 X 30
	14M7296	FLANGE NUT	2		X X	M10
	03M7193	BOLT	2	671078-	X X	M10 X 35, USED ON 5.2M AND 6.1M
7	AH122717	GUDGEON	1		X X	
8	24H1300	WASHER	AR		X X	25/64" X 2" X 0.220"
	24H1311	WASHER	AR		X X	13/32" X 1-1/4" X 0.220"
9	H119566	STRIP	AR		X X	100 MM (4") LONG
	H119567	STRIP	AR		X X	125 MM (5") LONG
	H119568	STRIP	AR		X X	150 MM (6") LONG
10	03H1495	BOLT	AR		X X	3/8" X 1-1/2"
	03H1557	BOLT	AR		X X	3/8" X 1-1/4"
	K40003	LOCK NUT	AR		X X	
11	AH123436	AUGER	1	-645877	X	(SUB AH132032) (14 FT.) PLUS 5-1/2 FT. EQUALS 20 FT.
	AH132032	AUGER	1	-651280	X X	(SUB AH143731) (14 FT.) PLUS 5-1/2 FT. EQUALS 20 FT.
	AH143731	AUGER	1		X X	(14 FT.) PLUS 5 1/2 FT. EQUALS 20 FT.
	AH140332	AUGER	1	-651280	X X	(SUB AH143727) (11-1/2 FT.) PLUS 5-1/2 FT. EQUALS 17 FT.
	AH143727	AUGER	1		X X	(INCLUDES K40003) (11-1/2 FT.) PLUS 5-1/2 FT. EQUALS 17 FT.
	AH151403	AUGER	1	671078-	X X	5.2M AND 6.1M
12	22H897	SET SCREW	1		X X	1/4" X 1/4"
13	JD8554	ECCENTRIC LOCKING COLLAR	1		X X	
14	03M7184	BOLT	3		X X	M8 X 20
	14M7298	FLANGE NUT	3		X X	M8
15	H103264	PRESSED FLANGED HOUSING	2		X X	
16	JD8665	BALL BEARING	1		X X	
17	H96645	CAP	1		X X	
18	19M7866	SCREW	5		X X	M8 X 20
	14M7298	FLANGE NUT	5		X X	M8
19	21H1029	SCREW	3	-640200	X	5/16" X 3/4", (SUB 21H1304)
	12H303	LOCK WASHER	3	-640200	X	5/16"
	14H785	NUT	3	-640200	X	5/16"
20	H114709	CLIP	6	-640200	X	
21	H113717	CLIP	3	-640200	X	
22	AH111354	SEAL	1	-640200	X	
23	J18468	SPRING	2	640201-	X X	
24	AH132230	DOOR	1	640201-	X X	
25	19M7868	SCREW	1	660201-	X X	M8 X 30
26	14M7298	FLANGE NUT	2	660201-	X X	M8
27	H158817	PLATE	1	671078-	X X	
28	03M7183	BOLT	2	671078-	X X	M8 X 16
	14M7298	FLANGE NUT	2	671078-	X X	M8
29	N189220	TIE BAND	1	671078-	X X	

10E9

CLEAN GRAIN ELEVATOR, GRAIN TANK AND UNLOADING AUGER

CROSS AUGER BEARING PLATE - L.H.
HP5352 -UN-01JAN94



HP5352

10E10

CLEAN GRAIN ELEVATOR, GRAIN TANK AND UNLOADING AUGER

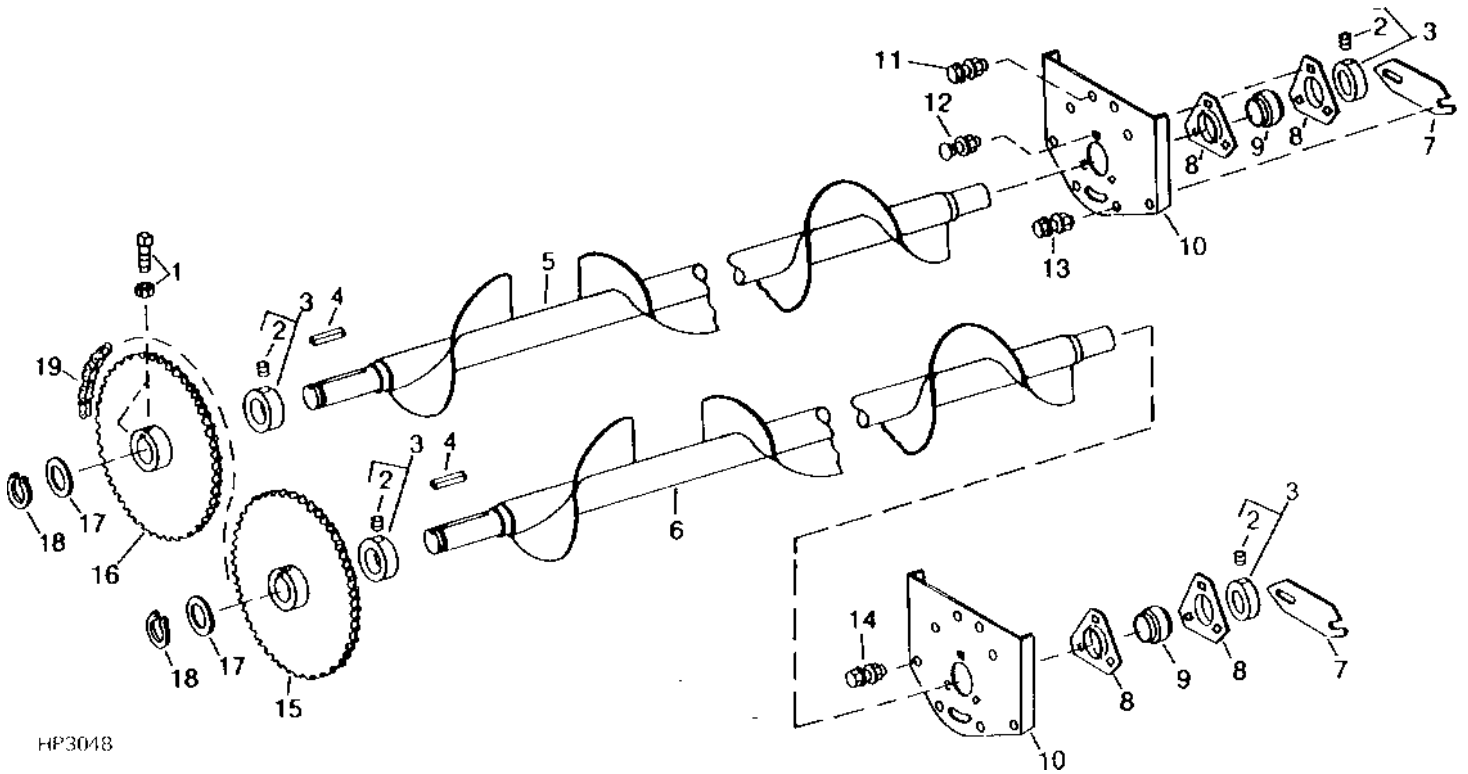
CROSS AUGER BEARING PLATE - L.H. -CONTINUED

KEY	PART NO.	PART NAME	QTY	SERIAL NO.	S H 9 9 5 5 0 0 0 0	REMARKS
1	14M7275	NUT	2		X X	M12
2	24H1346	WASHER	1		X X	13.487 X 44.450 X 3.048 MM
3	R35542	SPRING	1		X X	
4	H127923	GAUGE	1		X X	
5	H127922	REINFORCEMENT	1		X X	
6	19M7784	SCREW	2		X X	M10 X 20
7	19M7364	CAP SCREW	1		X X	M12 X 80
	14M7299	FLANGE NUT	1		X X	M12
8	24H1916	WASHER	1		X X	17/32" X 3-1/2" X 0.180" 0.531" X 76.2" X 0.118", (SUB FOR H80228)
9	A22724	WASHER	1		X X	0.510" X 3/4" X 0.210"
10	H114395	SPACER	1		X X	
11	AH106606	CHAIN SPROCKET	1		X X	(INCLUDES JD7126) 24-TOOTH
	JD7126	BALL BEARING	1		X X	
12	H119997	BOLT	1		X X	(SUB H163787)
	H163787	BOLT	1		X X	
13	H119996	CHANNEL	1		X X	IDLER SUPPORT
14	19M7866	SCREW	2		X X	M8 X 20
	14M7298	FLANGE NUT	2		X X	M8
15	H133579	STOP	1		X X	
16	19M7866	SCREW	4		X X	M8 X 20
	14M7396	LOCK NUT	4		X X	M8
17	22M7081	SET SCREW	2		X X	M10 X 10
18	AH133191	ECCENTRIC LOCKING COLLAR	2		X X	
19	H161529	PRESSED FLANGED HOUSING	4		X X	(SUB FOR H103265, THIS APPLICATION)
20	JD39104	BALL BEARING	2		X X	
21	03M7191	BOLT	6		X X	M10 X 25
	14M7296	FLANGE NUT	6		X X	M10
22	AH141201	SUPPORT	1		X X	(SUB FOR AH125068 OR AH140003)
23	19M7784	SCREW	12		X X	M10 X 20
	14M7296	FLANGE NUT	12		X X	M10
24	H116161	HOSE	1	-646440	X X	(SUB TY22326) CUT TO LENGTH
25	24M7242	WASHER	3		X X	21.400 X 42 X 5 MM

10E11

CLEAN GRAIN ELEVATOR, GRAIN TANK AND UNLOADING AUGER

GRAIN TANK CROSS AUGERS
HP3048 -UN-01JAN94



HP3048

10E12

CLEAN GRAIN ELEVATOR, GRAIN TANK AND UNLOADING AUGER

GRAIN TANK CROSS AUGERS - CONTINUED

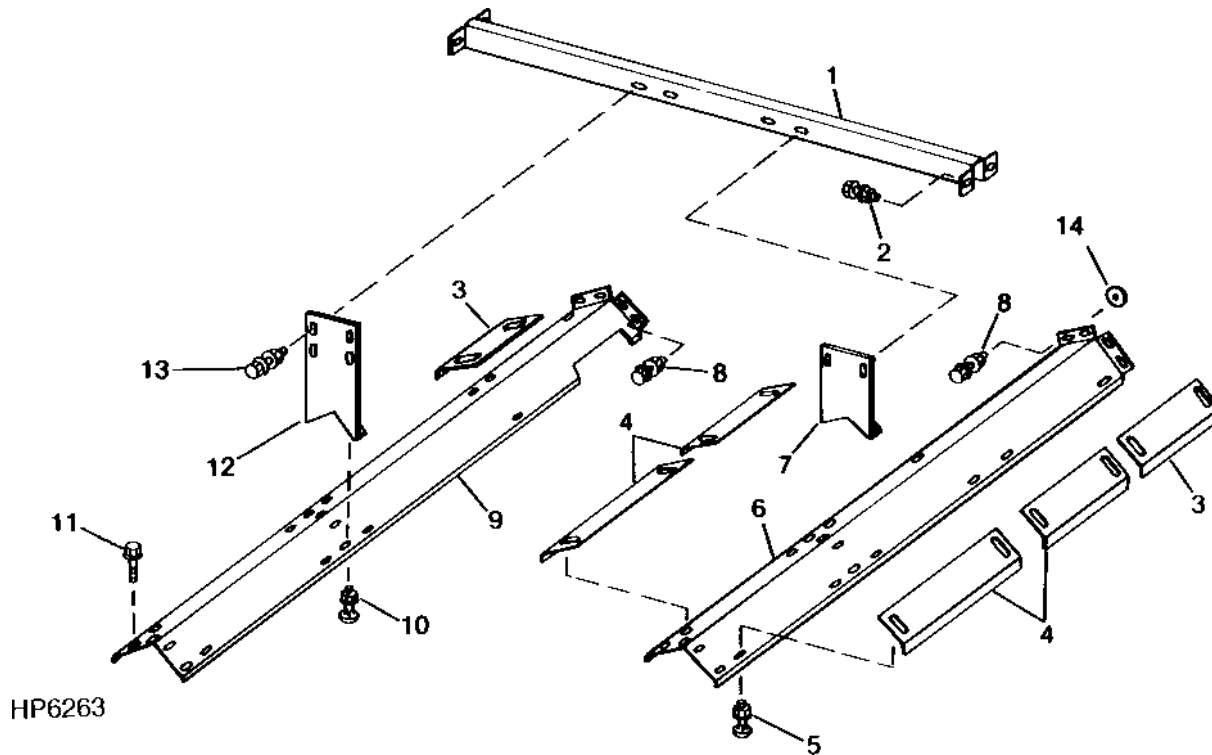
KEY	PART NO.	PART NAME	QTY	SERIAL NO.	S H 9 5 0 0	REMARKS
1	H138435	SET SCREW	4		X X	
	14M7152	NUT	4		X X	M10
2	22M7081	SET SCREW	4		X X	M10 X 10
3	AH133191	ECCENTRIC LOCKING COLLAR	4		X X	
4	49M4120	SHAFT KEY	2		X X	
5	AH167847	AUGER	1		X X	(SUB FOR AH125645 OR AH138398 OR AH154965) FRONT-HEAVY DUTY
6	AH167848	AUGER	1		X X	(SUB FOR AH125646, AH138399 OR AH154966) REAR-HEAVY DUTY
7	H102909	COVER	2		X X	
8	H103265	PRESSED FLANGED HOUSING	4	-672019	X X	
	H161529	PRESSED FLANGED HOUSING	4	672020-	X X	
9	JD39104	BALL BEARING	2		X X	
10	H126280	REINFORCEMENT	2		X X	BEARING PLATE - R.H.
11	19M7784	SCREW	8		X X	M10 X 20
	14M7296	FLANGE NUT	8		X X	M10
12	03M7190	BOLT	3		X X	M10 X 20
	14M7296	FLANGE NUT	3		X X	M10
13	19M7866	SCREW	4		X X	M8 X 20
	14M7396	LOCK NUT	4		X X	M8
14	19M7866	SCREW	4		X X	M8 X 20
	14M7298	FLANGE NUT	4		X X	M8
15	AH125070	CHAIN SPROCKET	1		X X	49-TOOTH (REAR), REGULAR
	AH140001	CHAIN SPROCKET	1	643458-	X X	60-TOOTH (REAR), SLOW DOWN
16	AH126705	CHAIN SPROCKET	1	-638872	X	(SUB AH125070) 52-TOOTH, FRONT
	AH125070	CHAIN SPROCKET	1		X X	49-TOOTH (FRONT), REGULAR
	AH140001	CHAIN SPROCKET	1	643458-	X X	60-TOOTH (FRONT), SLOW DOWN
17	24H1511	WASHER	AR		X X	1-13/32" X 1-3/4" X 0.060"
18	40M7046	SNAP RING	1		X X	
19	AH126837	LINK CHAIN	1		X X	ROLLER, TYPE 60H - 19 MM (3/4") PITCH, 198 LINKS (REGULAR SPEED) (FOR USE WITH 6076 ENGINE)
	AH146359	LINK CHAIN	1		X X	(SUB FOR AH140004) ROLLER TYPE 60H, - 19 MM (3/8") PITCH 204 LINKS (SLOW DOWN SPEED)

10E13

CLEAN GRAIN ELEVATOR, GRAIN TANK AND UNLOADING AUGER

CROSS AUGER COVERS AND CHANNEL

HP6263 -UN-23JAN96



S
H
9 9
5 5
0 0
0 0

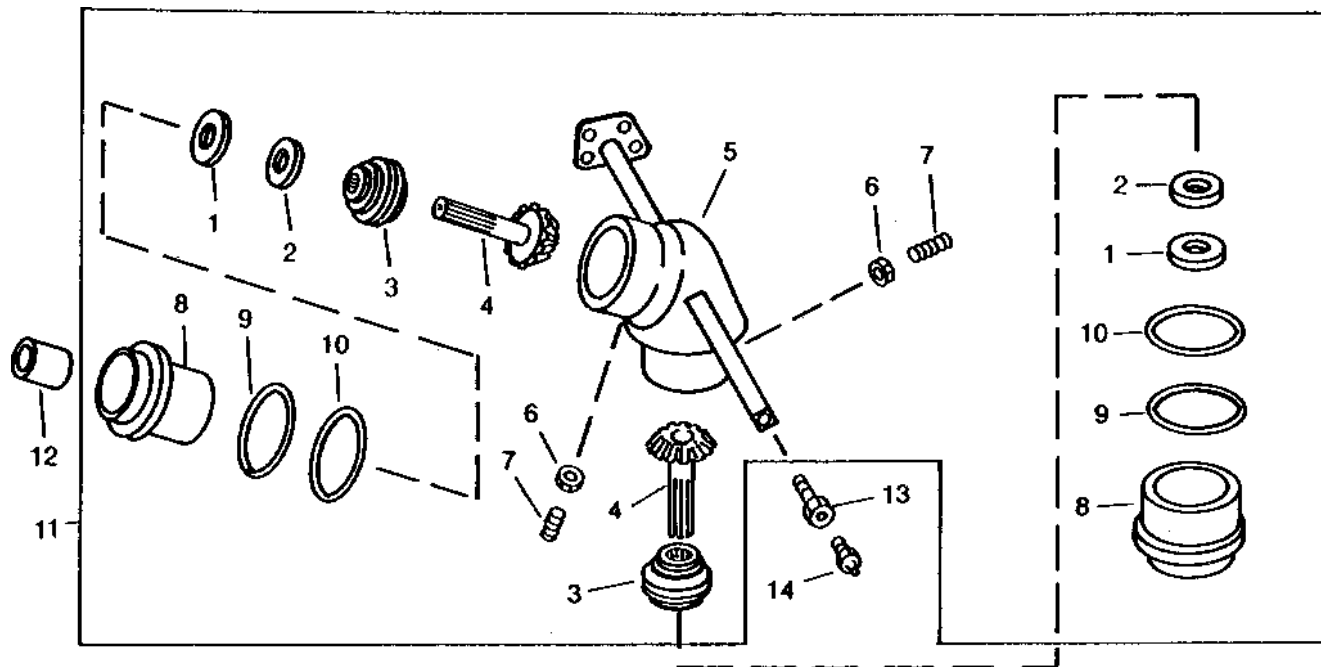
KEY	PART NO.	PART NAME	QTY	SERIAL NO.	REMARKS
1	H126801	CHANNEL	1	X X	
2	19M7784	SCREW	4	X X	M10 X 20
	14M7296	FLANGE NUT	4	X X	M10
3	H129472	COVER	5	-665501	SMALL ADJUSTABLE
	H129472	COVER	6	XXXXXX-	
	H129471	COVER	4		LARGE ADJUSTABLE
5	03M7183	BOLT	20	X X	M8 X 16
	14M7298	FLANGE NUT	20	X X	M8
6	H129465	COVER	1	X X	REAR
7	H126802	SUPPORT	1	X X	REAR COVER
8	19M7784	SCREW	8	X X	M10 X 20
	14M7296	FLANGE NUT	8	X X	M10
9	H129464	COVER	1	X X	FRONT
10	03M7183	BOLT	8	X X	M8 X 16
	14M7298	FLANGE NUT	8	X X	M8
11	37M7058	SCREW	8	X X	M8 X 20, (THREAD ROLLING)
12	H126804	SUPPORT	1	X X	FRONT COVER
13	19M7865	SCREW	4	X X	M8 X 16
	14M7298	FLANGE NUT	4	X X	M8
14	H141123	NUT	8	X X	
..	BH81165	COMPLETE GOODS/SHIP. BUNDLE	1	X X	COVERS - AUGER ADJUSTMENT

10E14

CLEAN GRAIN ELEVATOR, GRAIN TANK AND UNLOADING AUGER

HORIZONTAL UNLOADING AUGER DRIVE GEAR CASE

HP5336 -UN-01JAN94



HP5336

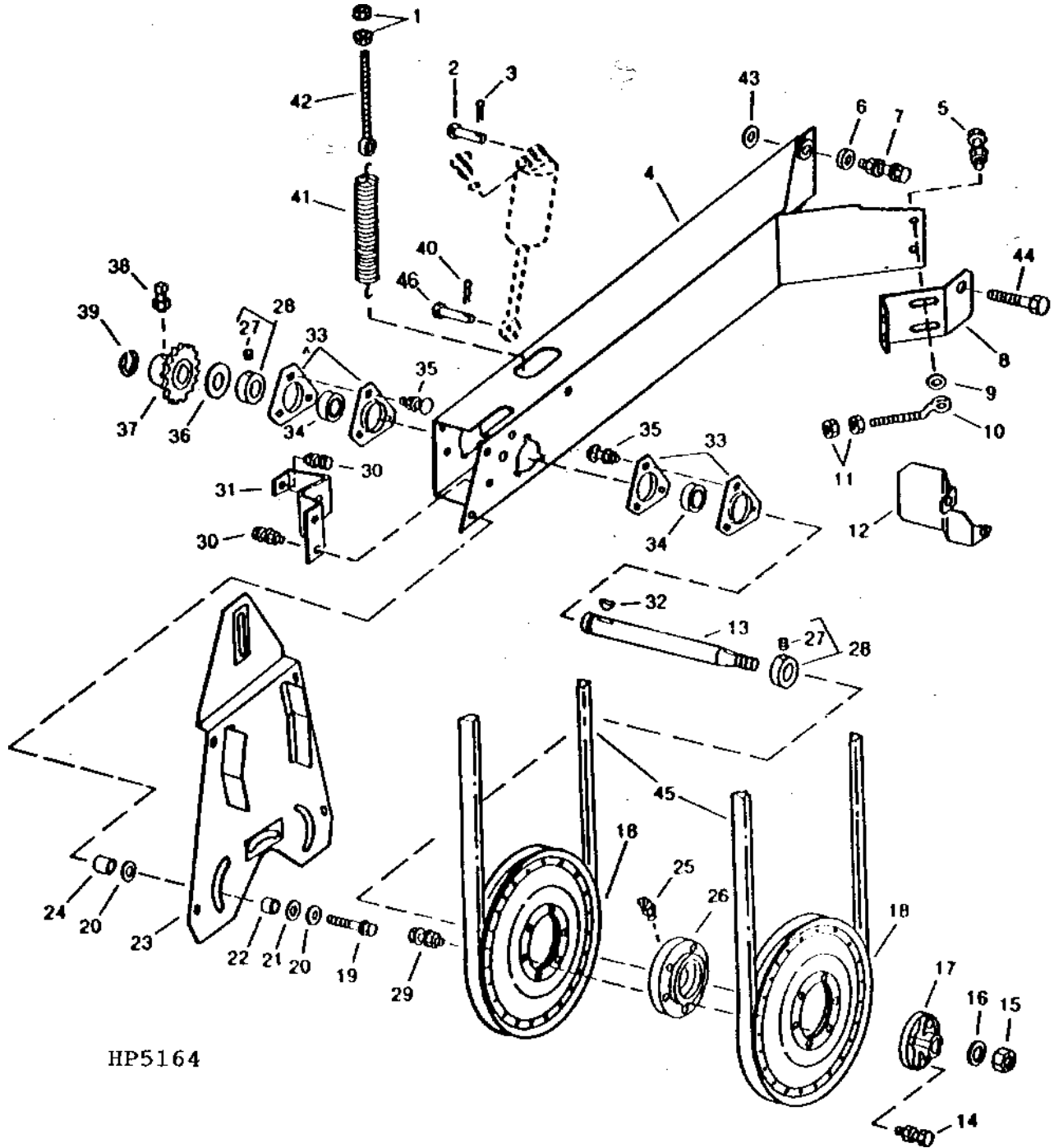
KEY	PART NO.	PART NAME	QTY	SERIAL NO.	S H 9 9 5 5 0 0 0 0	REMARKS
1	AH98118	SEAL	2		X X	
2	H99613	WASHER	2		X X	1.248" X 1-3/4" X 3/8"
3	AH94661	BEARING	2	665977-	X X	(USE WITH H99613) (SUB DE18970) SMALL ADJUSTABLE, INCLUDES TWO CONES, TWO CUPS AND TWO SPACERS
	DE18970	BEARING	2		X X	
4	H96148	GEAR	2	-657038	X X	18 TEETH, (SUB H149869)
	H149869	GEAR	2		X X	
5	H96346	GEAR CASE	1	-651081	X X	(SUB H149793) HOUSING ONLY (LESS GEARS)
	H149793	GEAR CASE	1		X X	
6	14H732	NUT	4		X X	3/8"
7	22H845	SET SCREW	4		X X	3/8" X 3/4"
8	H96345	BEARING HOUSING W/O BEARING	2		X X	
9	SHIM	4	-656365	X X	(ORDER AH139072)
10	SHIM	2		X X	(ORDER AH139072)
11	AH124509	GEAR CASE	1		X X	(SUB AH164609)
	AH164609	GEAR CASE	1		X X	
12	N72989	BUSHING	1		X X	1-17/64" X 1-5/8" X 1.120"
13	H96228	SCREW	1		X X	5/8" X 2-1/2"
	12H294	LOCK WASHER	1		X X	5/8"
14	JD7797	LUBRICATION FITTING	1		X X	STRAIGHT, 1/4"

10E15

CLEAN GRAIN ELEVATOR, GRAIN TANK AND UNLOADING AUGER

UNLOADING AUGER COUNTERSHAFT DRIVE

HP5164 -UN-01JAN94



HP5164

10E16

CLEAN GRAIN ELEVATOR, GRAIN TANK AND UNLOADING AUGER

UNLOADING AUGER COUNTERSHAFT DRIVE - CONTINUED

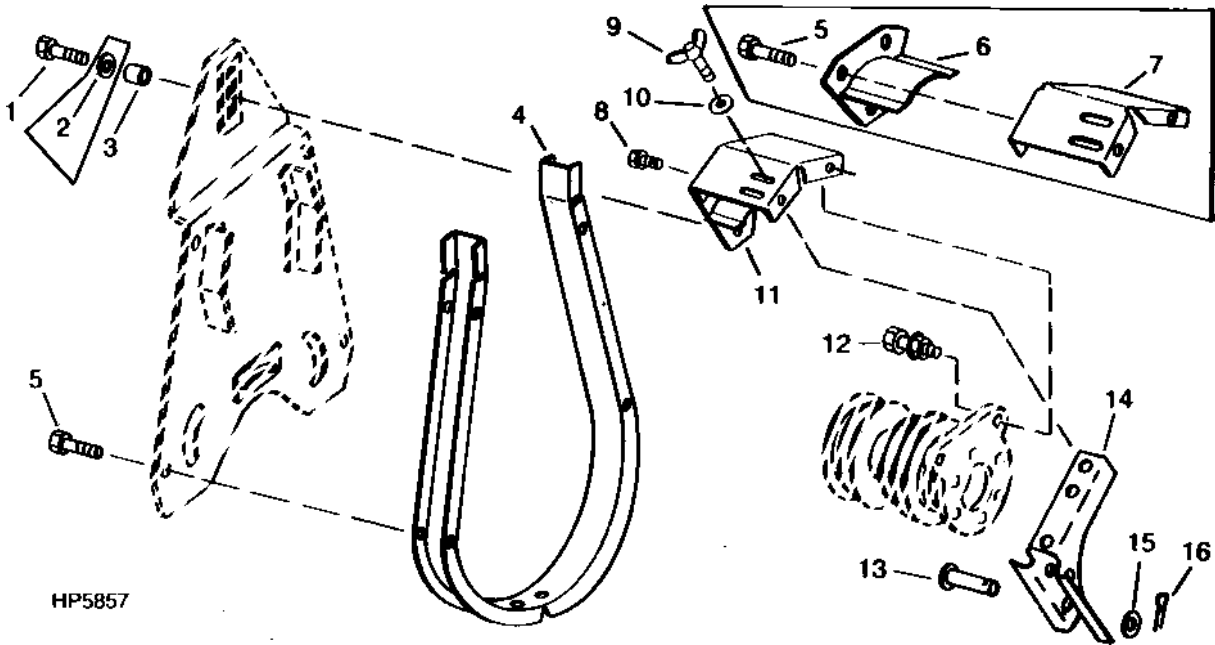
KEY	PART NO.	PART NAME	QTY	SERIAL NO.	S H 9 9 5 5 0 0 0 0	REMARKS
1	14M7296	FLANGE NUT	2		X X	
2	H98765	PIN	2	-647107	X X	
	H98765	PIN	1	647108-	X X	
3	11M7059	COTTER PIN	1		X X	3.200 X 20 MM
4	AH134549	ARM	1	-651379	X X	(SUB AH144068)
	AH144068	ARM	1		X X	
5	19M7835	SCREW	2		X X	M10 X 35
	14M7296	FLANGE NUT	2		X X	M10
6	Z33404	SPACER	2		X X	
7	19M7794	SCREW	1		X X	
	14M7291	FLANGE NUT	2	-642578	X	M16
	A31869	LOCK NUT	2	642579-	X X	
8	AH118993	BRACKET	1		X X	
9	24M7178	WASHER	2		X X	10.500 X 30 X 2.500 MM
10	H116262	EYEBOLT	2		X X	
11	14M7274	NUT	4		X X	M10
12	H136570	SHIELD	1	-632901	X	
	H137869	SHIELD	1	632901-	X X	
13	H133024	COUNTERSHAFT	1		X X	
14	19M7185	CAP SCREW	1		X X	M8 X 60, (SHEAR BOLT)
	E64256	LOCK NUT	1		X X	M8
15	A31871	LOCK NUT	1		X X	M24
16	24M7091	WASHER	1		X X	26 X 44 X 4 MM
17	H133026	HUB	1		X X	
18	AH106096	PULLEY	2		X X	
19	19M8318	SCREW	3		X X	M8 X 45
20	24M7207	WASHER	6		X X	8.400 X 24 X 2 MM
21	24H1357	WASHER	2		X X	19/32" X 1-5/32" X 0.090", (AT LONG SLOTS ONLY)
22	28H1511	WASHER	3		X X	0.364" X 0.540" X 1/4"
23	AH128861	GUARD	2	-643457	X	(SUB AH140901)
	AH140901	GUARD	2		X X	
24	28H2531	BUSHING	3		X X	
25	JD7797	LUBRICATION FITTING	1		X X	
26	H133025	HUB	1		X X	
27	22M7081	SET SCREW	2		X X	M10 X 10
28	AH133191	ECCENTRIC LOCKING COLLAR	2		X X	
29	19M8317	SCREW	6		X X	M8 X 40
	14M7298	FLANGE NUT	6		X X	M8
30	19M7866	SCREW	3		X X	M8 X 20
	14M7298	FLANGE NUT	3		X X	M8
31	H133690	BRACKET	1		X X	
32	26M6787	SHAFT KEY	2		X X	10 X 32 MM, (WOODRUFF)
33	H103265	PRESSED FLANGED HOUSING	4		X X	
34	JD39104	BALL BEARING	1		X X	
35	03M7190	BOLT	6		X X	M10 X 20
	14M7296	FLANGE NUT	6		X X	M10
36	24H1510	WASHER	2		X X	1-13/32" X 1-3/4" X 0.120"
37	AH128075	CHAIN SPROCKET	1		X X	19 TOOTH
	AH128074	CHAIN SPROCKET	1	661043-	X X	(RICE ONLY) 17 TOOTH
38	H138435	SET SCREW	2		X X	
	14M7274	NUT	2		X X	M10
39	P44478	SNAP RING	1		X X	
40	J16931	SPRING LOCKING PIN	1		X X	
41	H173011	LEAF SPRING	1		X X	(SUB FOR H137814 OR H146310)
42	H114738	EYEBOLT	1		X X	
43	24H1684	WASHER	2		X X	11/16" X 2" X 0.105"
44	19M7824	SCREW	1		X X	M16 X 60
45	AH158880	BELT SET	1		X X	(SUB FOR AH127866)
46	H148340	PIN	1	647108-	X X	

10E17

CLEAN GRAIN ELEVATOR, GRAIN TANK AND UNLOADING AUGER

UNLOADING AUGER DRIVE BELT GUIDE

HP5857 -UN-14OCT94



S
H
9 9
5 5
0 0
0 0

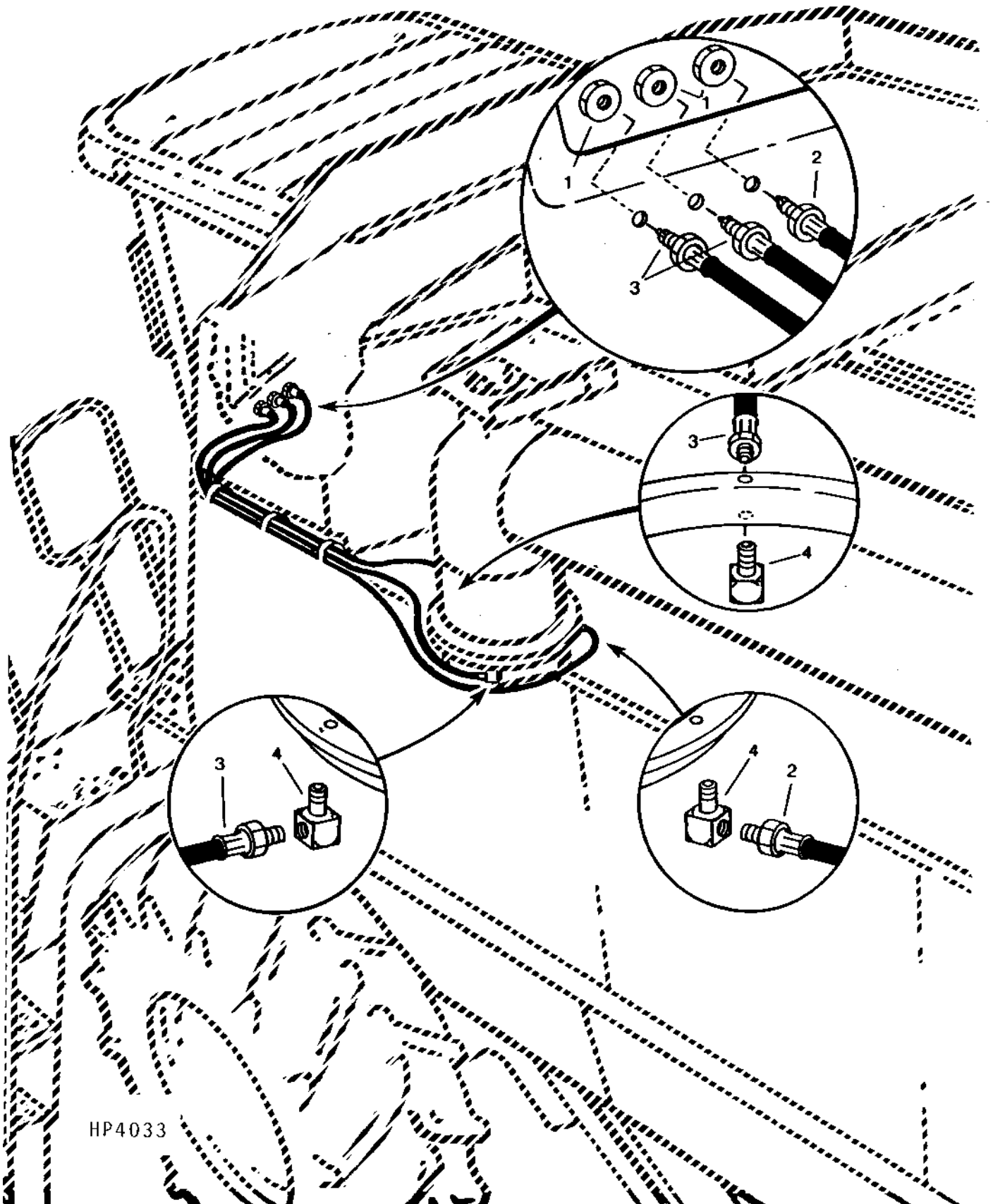
KEY	PART NO.	PART NAME	QTY	SERIAL NO.	REMARKS
1	19M7866	SCREW	1	-670849	X X M8 X 20
	19M7867	SCREW	1	670849-	X X M8 X 25
2	24M7207	WASHER	1	-656365	X X 8.400 X 24 X 2 MM
3	28H1511	WASHER	1		X X 0.364" X 0.540" X 1/4"
4	AH116390	GUIDE	1		X X
5	19M7865	SCREW	6		X X M8 X 16, (INTO WELDNUTS)
6	AH125556	GUIDE	1	-650200	X X (SUB AH142295)
7	AH128860	SUPPORT	1	-650200	X X (SUB AH142295)
8	37M7058	SCREW	2	650201-	X X
9	21M7269	WING SCREW	2		X X M8 X 20
10	24M7207	WASHER	2		X X 8.400 X 24 X 2 MM
11	AH142295	SUPPORT	1	650201-670849	X X
	AH152654	SUPPORT	1	670850-	X X
12	19M7785	SCREW	2		X X M10 X 25
	14M7296	FLANGE NUT	2		X X M10
13	45M7042	PIN	2		X X 12 X 50 MM
14	AH127604	GUIDE	1		X X FOR STRAW CHOPPER DRIVE BELT
15	24M7047	WASHER	2		X X 13 X 24 X 2.500 MM
16	11M7015	COTTER PIN	2		X X 3.200 X 25 MM

MEMORANDA

10E18

CLEAN GRAIN ELEVATOR, GRAIN TANK AND UNLOADING AUGER

UNLOADING AUGER LOWER LUBE BANK
HP4033 -UN-01JAN94



HP4033

10E19

CLEAN GRAIN ELEVATOR, GRAIN TANK AND UNLOADING AUGER

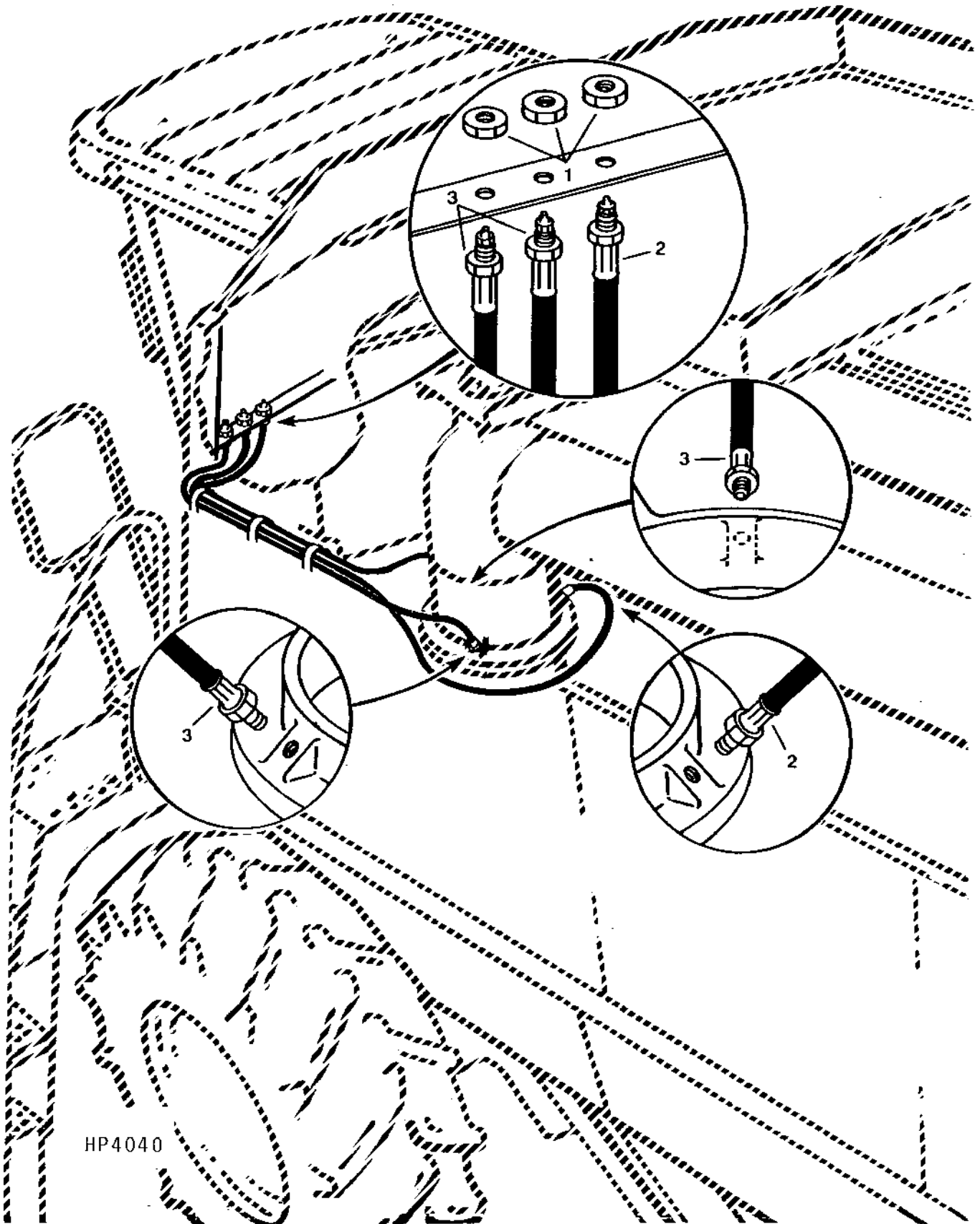
UNLOADING AUGER LOWER LUBE BANK - CONTINUED

KEY	PART NO.	PART NAME	QTY	SERIAL NO.	S H 9 5 0 0	REMARKS
1	E12379	NUT	1		X X	3.175 MM (1/8")
2	AH136554	HOSE	1		X X	1/8" X 2 050 MM (80-3/4") X 1/8"
3	AH136553	HOSE	2		X X	1/8" X 1 600 MM (63") X 1/8"
4	JD7845	ELBOW FITTING	1	-640200	X	

10E20

CLEAN GRAIN ELEVATOR, GRAIN TANK AND UNLOADING AUGER

UNLOADING AUGER UPPER LUBE BANK
HP4040 -UN-01JAN94



HP4040

10E21

CLEAN GRAIN ELEVATOR, GRAIN TANK AND UNLOADING AUGER

UNLOADING AUGER UPPER LUBE BANK - CONTINUED

KEY	PART NO.	PART NAME	QTY	SERIAL NO.	S H 9 5 0 0	REMARKS
1	E12379	NUT	1		X X	3.175 MM (1/8")
2	AH136554	HOSE	1		X X	1/8" X 2 050 MM (80-3/4") X 1/8"
3	AH136553	HOSE	2		X X	1/8" X 1 600 MM (63") X 1/8"

MEMORANDA

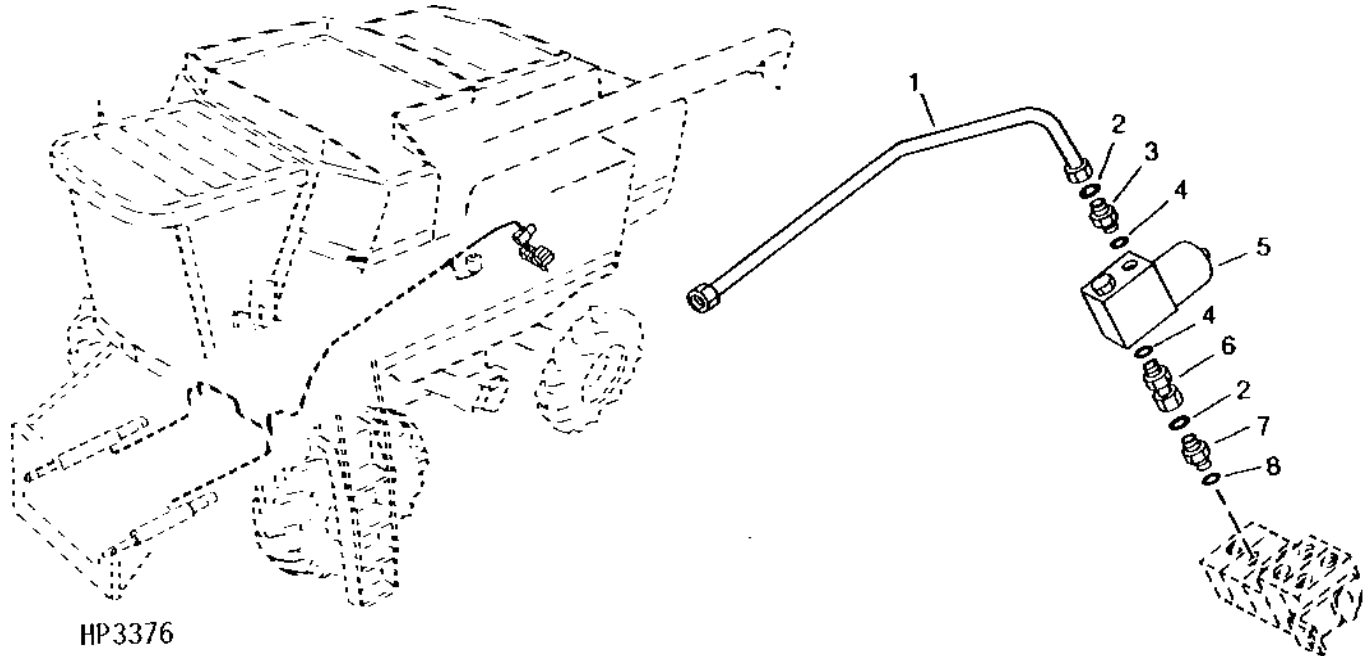
MEMORANDA

10E23

DIAL-A-MATIC HEADER HEIGHT CONTROL

**HYDRAULIC LINE AND VALVE BLOCK
(DIAL-A-MATIC HEADER HEIGHT CONTROL)**

HP3376 -UN-01JAN94



HP3376

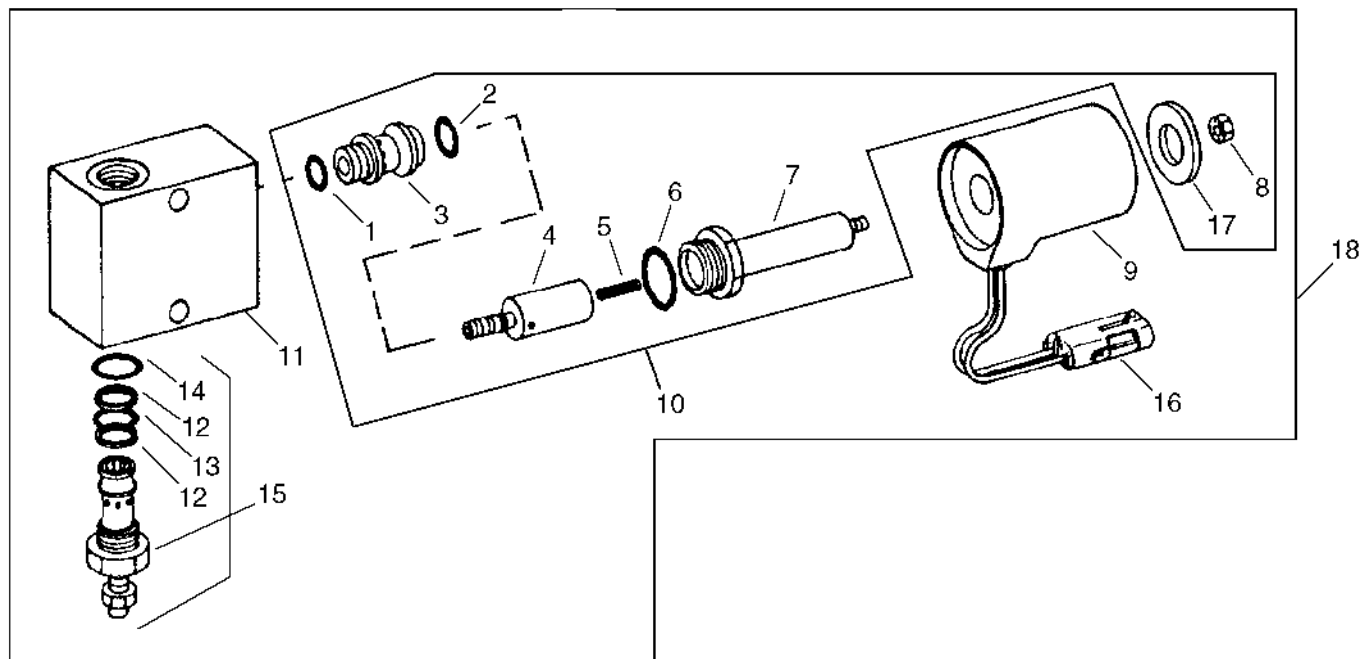
KEY	PART NO.	PART NAME	QTY	SERIAL NO.	S H 9 9 5 5 0 0 0 0	REMARKS
1	AH128727	HYDRAULIC LINE	1		X X	
2	T77857	O-RING	2		X X	
3	38H1161	ADAPTER	1		X X	
4	R26375	O-RING	2		X X	
5	AH125910	SOLENOID VALVE	1		X X	
6	38H1068	ADAPTER	1		X X	
7	38H1173	ADAPTER	1		X X	
8	R26448	O-RING	1		X X	

10E24

DIAL-A-MATIC HEADER HEIGHT CONTROL

DIAL-A-MATIC HEADER HEIGHT CONTROL VALVE

HP8033 -UN-21APR99



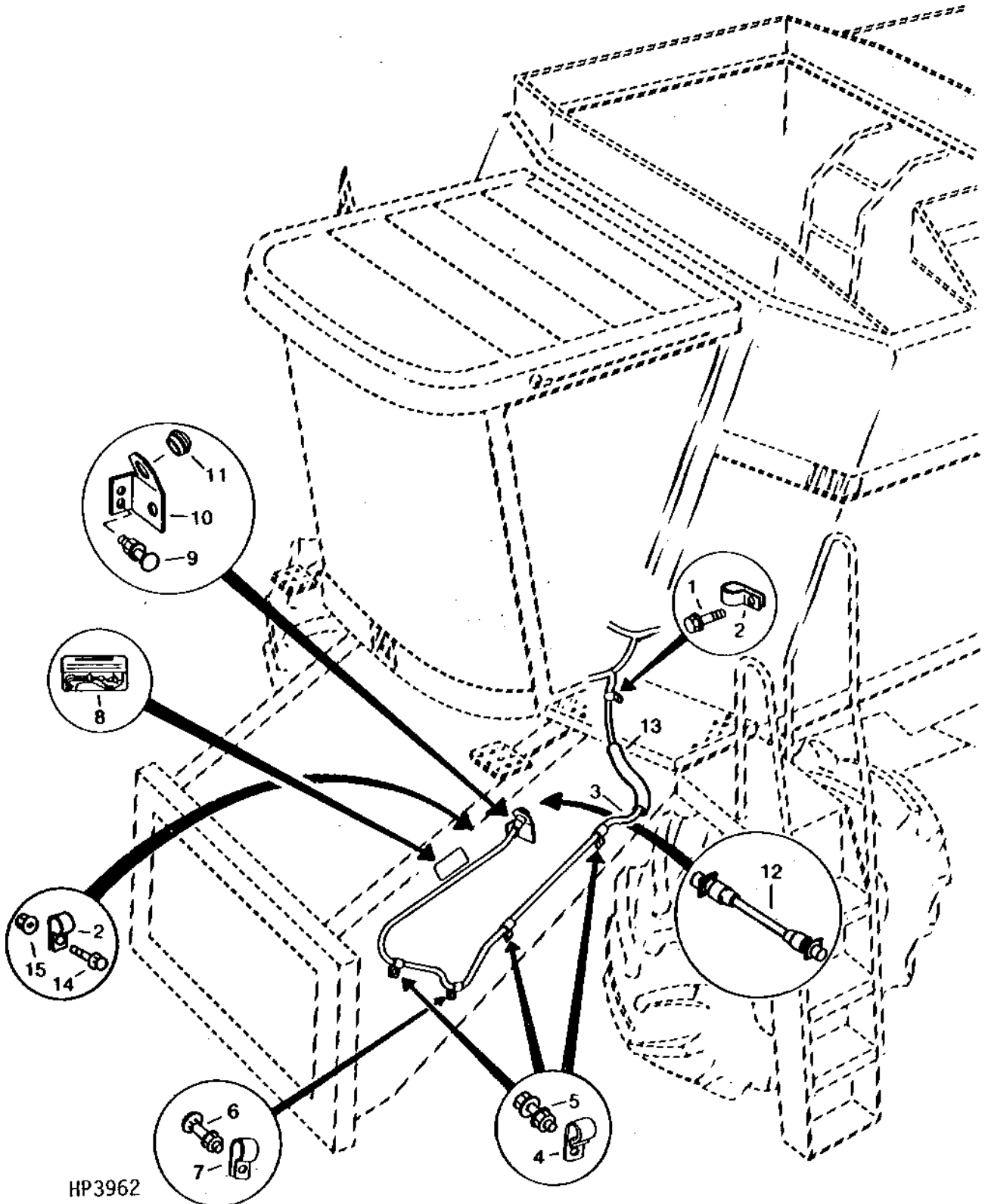
HP8033

KEY	PART NO.	PART NAME	QTY	SERIAL NO.	S	H	REMARKS
1	R28776	O-RING	1		X	X	12.421 X 1.778 MM (0.489" X 0.070")
2	T75984	O-RING	1		X	X	20.345 X 1.778 MM (0.801" X 0.070")
3	VALVE SPOOL	1		X	X	(ORDER AH131571)
4	PLUNGER	1		X	X	(ORDER AH131571)
5	SPRING	1		X	X	(ORDER AH131571)
6	R27928	O-RING	1		X	X	23.520 X 1.778 MM (0.926" X 0.070")
7	GUIDE	1		X	X	(ORDER AH131571)
8	14H866	NUT	1		X	X	5/8"
9	AH131572	ELECTRICAL COIL	1		X	X	
10	AH131571	VALVE	1		X	X	
11	H135964	HOUSING	1		X	X	
12	BACK-UP RING	2		X	X	(ORDER AH131570)
13	O-RING	1		X	X	(ORDER AH131570)
14	R26906	O-RING	1		X	X	19.177 X 2.464 MM (0.755" X 0.097")
15	AH131570	VALVE	1		X	X	
16	R78053	PIN CONTACT CONNECTOR BODY	1		X	X	(PKG OF 3)
	R78059	ELECTRICAL PLUG	1		X	X	(PKG OF 40)
	R78061	PIN CONTACT	1		X	X	(PKG OF 40)
17	24H1368	WASHER	1		X	X	21/32" X 1-5/16" X 0.090"
18	AH125910	SOLENOID VALVE	1		X	X	
19	SET SCREW	1		X	X	(SUB AH156333)
20	KNOB	1		X	X	(SUB AH156333)
21	KNOB	1		X	X	(SUB AH156333)
22	AH156333	KIT	1		X	X	
..	BH81084	COMPLETE GOODS/SHIP. BUNDLE	1		X	X	HORIZONTAL HEIGHT CONTROL

10F1

DIAL-A-MATIC HEADER HEIGHT CONTROL

ELECTRICAL HARNESS
(DIAL-A-MATIC HEADER HEIGHT CONTROL)
HP3962 -UN-01JAN94



HP3962

10F2

DIAL-A-MATIC HEADER HEIGHT CONTROL

**ELECTRICAL HARNESS - CONTINUED
(DIAL-A-MATIC HEADER HEIGHT CONTROL)**

KEY	PART NO.	PART NAME	QTY	SERIAL NO.	S H 9 5 0 0 0 0	REMARKS
1	37M7083	SCREW	1		X X	M8 X 12
2	AH89557	CLIP	2		X X	
3	AH128406	SOCKET CONTACT	1	-635513	X	(SUB AH134224)
	AH134224	WIRING HARNESS	1		X X	
4	AH89557	CLIP	3	-642859	X	
5	03M7189	BOLT	3		X X	M8 X 45
	14M7298	FLANGE NUT	3		X X	M8
6	03M7183	BOLT	1		X X	
	14M7298	FLANGE NUT	1		X X	
7	AH89557	CLIP	1		X X	
8	H137939	LABEL	1		X X	(IMPORTANT)
9	03M7183	BOLT	1		X X	M8 X 16
	14M7298	FLANGE NUT	1		X X	M8
10	H134417	BRACKET	1		X X	
11	H130520	CAP	1	-646236	X X	(SUB H146306)
	H146306	PLUG	1		X X	
12	AH128924	WIRING HARNESS	1		X X	PIGTAIL TO CONNECT FEEDER HOUSE AND 200, 50,OR 50A SERIES ETC. ALSO REQUIRES AH89557 CLAMP, 19M7866 SCREW AND 14M7298 NUT
13	H132800	HOSE	1		X X	SLEEVE FOR PROTECTION
14	19M7866	SCREW	1		X X	M8 X 20
15	14M7298	FLANGE NUT	1		X X	M8

MEMORANDA

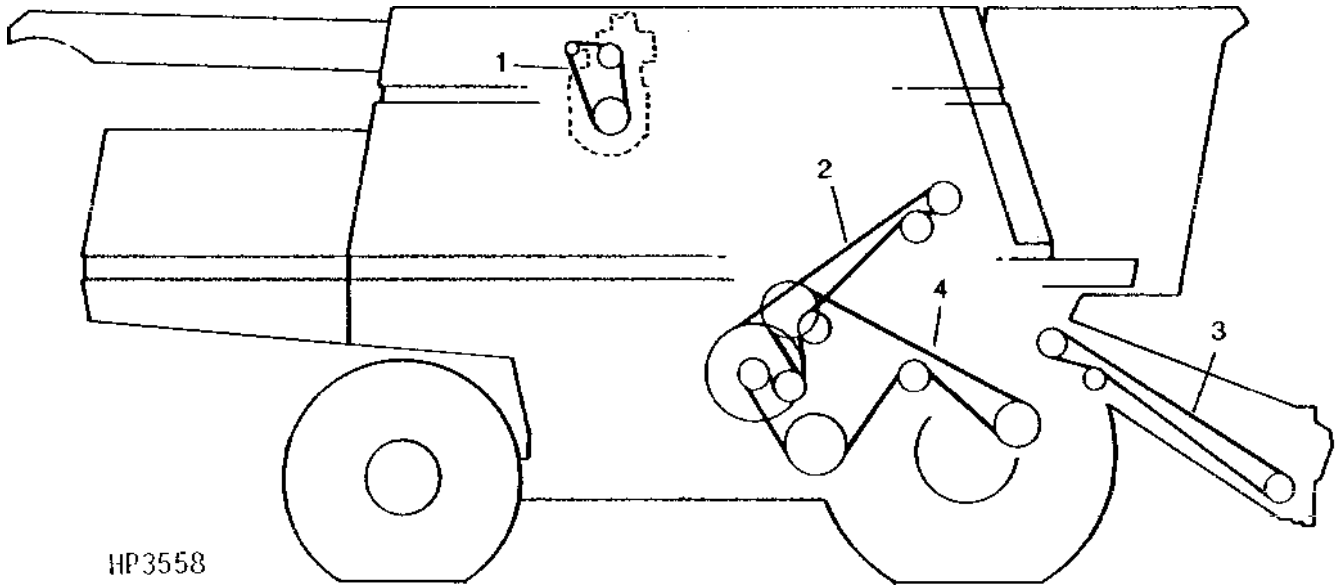
MEMORANDA

10F5

DECALS, BELTS AND CHAINS

ALTERNATOR, SECONDARY COUNTERSHAFT, FEEDER CONVEYOR, SHOE, STRAW WALKER AND CONVEYOR AUGERS

HP3558 -UN-01JAN94



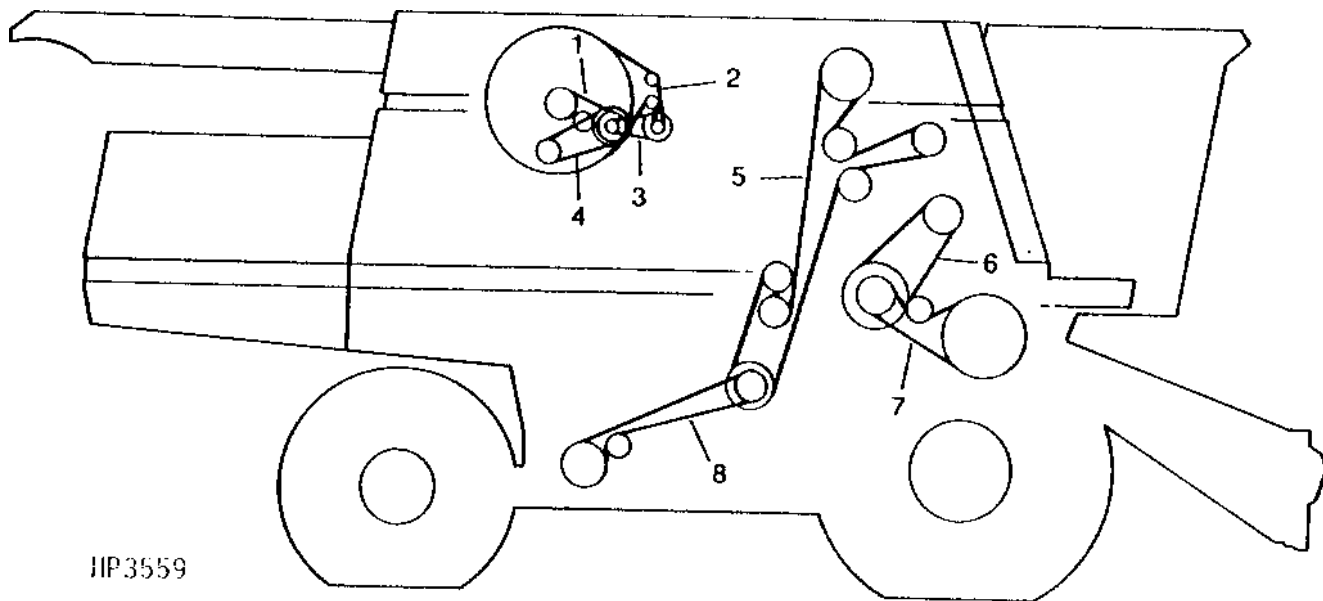
KEY	PART NO.	PART NAME	QTY	SERIAL NO.	S H 9 5 0 0	REMARKS
1	H134344	BELT	1	630301-631100	X X	12.700 X 1 090 MM (1/2" X 42.913") FOR ALTERNATOR
	R73189	BELT	1	635201-643900	X X	12.700 X 1 096 MM (1/2" X 43.150") FOR ALTERNATOR
2	H101813	BELT	1	645201-	X X	12.700 X 1 479.550 MM (1/2" X 58-1/4")
	H128010	BELT	1		X X	SECONDARY COUNTERSHAFT
3	ROLLER CHAIN	1		X X	FEEDER CONVEYOR CHAIN (ROLLER, TYPE 60, 19MM (3/4"), 223 LINKS, ASSEMBLE FROM (4) AB1288H AND AB1289H)
4	H131169	BELT	1		X X	SHOE, STRAW WALKER AND CONVEYOR AUGERS

10F6

DECALS, BELTS AND CHAINS

COOLING FAN, ROTARY SCREEN, AIR CONDITIONING, CLEAN GRAIN ELEVATOR, CYLINDER INTERMEDIATE DRIVE,
CYLINDER DRIVE AND LOWER TAILINGS AUGER AND ELEVATOR

HP3559 -UN-01JAN94



HP3559

S
H
9 9
5 5
0 0
0 0

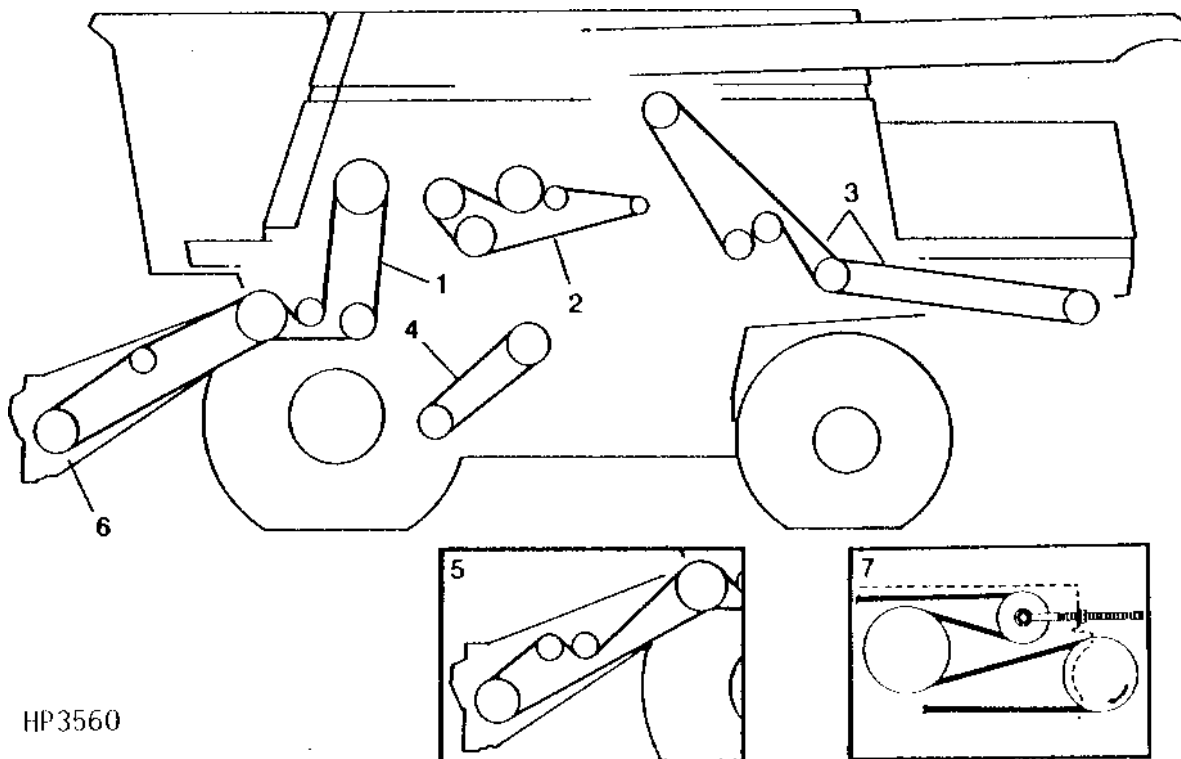
KEY	PART NO.	PART NAME	QTY	SERIAL NO.	REMARKS
1	H153297	BELT	1		X X (SUB FOR AH140623) COOLING FAN HIGH POWER
	H132808	BELT	1		X COOLING FAN LOW POWER
2	H133576	BELT	1	-637549	X (SUB H143869) ROTARY SCREEN
	H143869	BELT	1	-642578	X X ROTARY SCREEN
	H145158	BELT	1	642579-	X X ROTARY SCREEN
3	H134216	BELT	1	-642578	X ROTARY SCREEN DRIVE
	H146636	BELT	1	642579-	X X ROTARY SCREEN DRIVE
4	H134437	BELT	1	630301-631100	X 12.700 X 1 470 MM (1/2" X 57.874") AIR CONDITIONING COMPRESSOR
	H81742	BELT	1	635201-648500	X X 12.700 X 1 346.200 MM (1/2" X 53")
	H80896	BELT	1	650201-	X X 12.700 X 1 422.500 MM (1/2" X 56.004")
5	H137830	BELT	1	-640200	X CLEAN GRAIN ELEVATOR
	H141167	BELT	1	640201-	X X CLEAN GRAIN ELEVATOR
6	H115759	BELT	1		X X (SUB H162629) CYLINDER INTERMEDIATE DRIVE
	H162629	BELT	1		X X
7	H115881	BELT	1		X X CYLINDER DRIVE REGULAR DUAL-RANGE AND SINGLE RANGE
	H118618	BELT	1		X X CYLINDER DRIVE SLOW SPEED
8	N110085	BELT	1		X X LOWER TAILINGS AUGER AND ELEVATOR

10F7

DECALS, BELTS AND CHAINS

HEADER AND REEL PUMP, UNLOADING AUGERS, STRAW CHOPPER, CLEANING FAN, FEEDER HOUSE AND STRAW SPREADER (LEFT-HAND DRIVES)

HP3560 -UN-01JAN94



HP3560

S
H
9 9
5 5
0 0
0 0

KEY	PART NO.	PART NAME	QTY	SERIAL NO.		REMARKS
1	H125565	BELT	1	-640200	X	POWERSHAFT AND REEL PUMP
	H140160	BELT	1	640201-	X X	POWERSHAFT AND REEL PUMP
2	AH126837	LINK CHAIN	1		X X	ROLLER, TYPE 60H - 19 MM (3/4") PITCH, 198 LINKS (REGULAR SPEED) (FOR USE WITH 6076 ENGINE)
	AH146359	LINK CHAIN	1		X X	(SUB FOR AH140004) ROLLER TYPE 60H, - 19 MM (3/8") PITCH 204 LINKS (SLOW DOWN SPEED)
3	H125380	BELT	1		X X	FRONT
	P47885	BELT	1	-640200	X	(SUB H23950) CHOPPER IN WINDROW OR FORWARD POSITION
	H23950	BELT	1		X X	CHOPPER IN WINDROW OR FORWARD POSITION
	H125381	BELT	1		X X	CHOPPER IN REAR (OPERATING) POSITION
4	H137264	BELT	1		X X	(490 - 980 RPM) SLOW SPEED
	H140404	BELT	1		X X	(SUB FOR H135417) (750 - 1350 RPM) REGULAR SPEED
5	H126345	BELT	1		X X	FIXED SPEED FEEDER HOUSE WITH REVERSER
6	H125711	BELT	1		X X	VARIABLE SPEED FEEDER HOUSE
7	H128234	BELT	1		X X	STRAW SPREADER
	M95728	BELT	1		X X	STRAW SPREADER DECK DRIVE

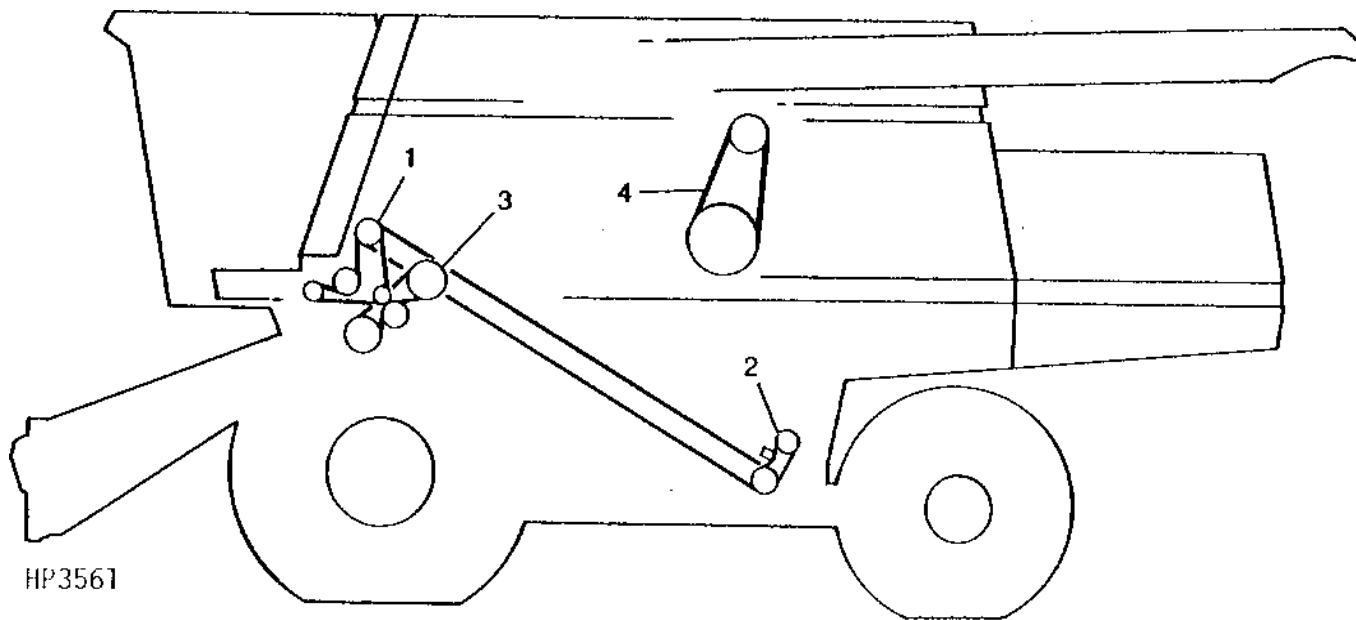
10F8

DECALS, BELTS AND CHAINS

TAILINGS AUGER, BEATER AND UNLOADING SYSTEM BELTS AND CHAINS

LEFT-HAND SIDE

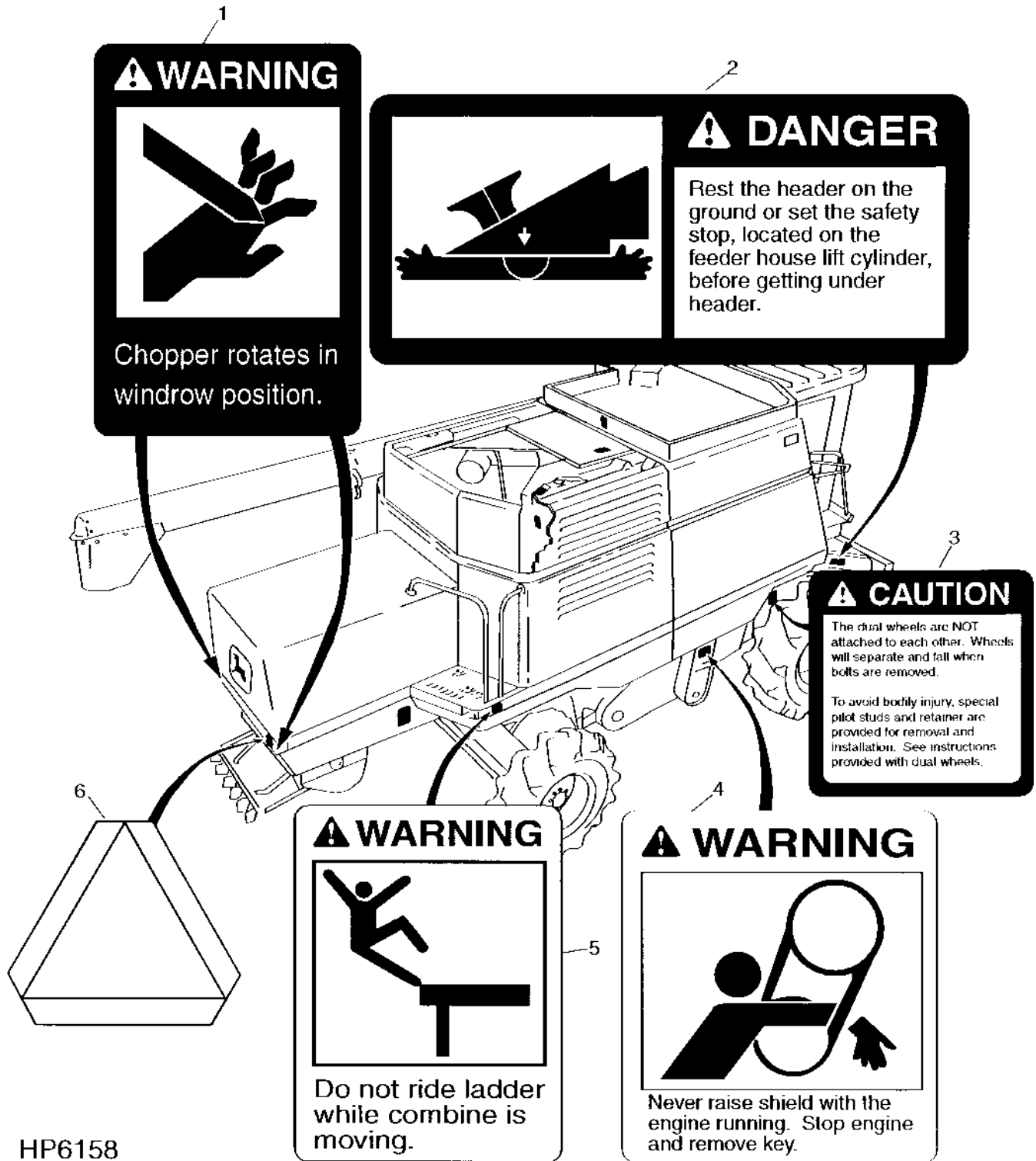
HP3561 -UN-01JAN94



KEY	PART NO.	PART NAME	QTY	SERIAL NO.	S H 9 5 0 0	REMARKS
1	ROLLER CHAIN	1		X X	UPPER TAILINGS AUGER. ROLLER, TYPE 50, 16MM (5/8") PITCH, 124 LINKS
2	ROLLER CHAIN	1		X X	LOWER TAILINGS AUGER. ROLLER, TYPE 50, 16MM (5/8") PITCH, 43 LINKS. (ASSEMBLE FROM AN18482 OR AP22459, (1) P20351 AND (1) P20352)
3	AH120918	BELT	1	-645201	X	(SUB AH139436) FOR 100 ° BEATER DRIVE
	AH139436	BELT SET	1		X X	FOR 100 ° BEATER DRIVE
	AH131960	BELT	1		X X	(SUB AH163931) FOR 75° BEATER DRIVE
	AH163931	BELT	1		X X	FOR 75° BEATER DRIVE
4	AH158880	BELT SET	1		X X	(SUB FOR AH127866) UNLOADING SYSTEM

10F9

SAFETY DECALS AND LOCATIONS
HP6158 -19-09JAN96



10F10

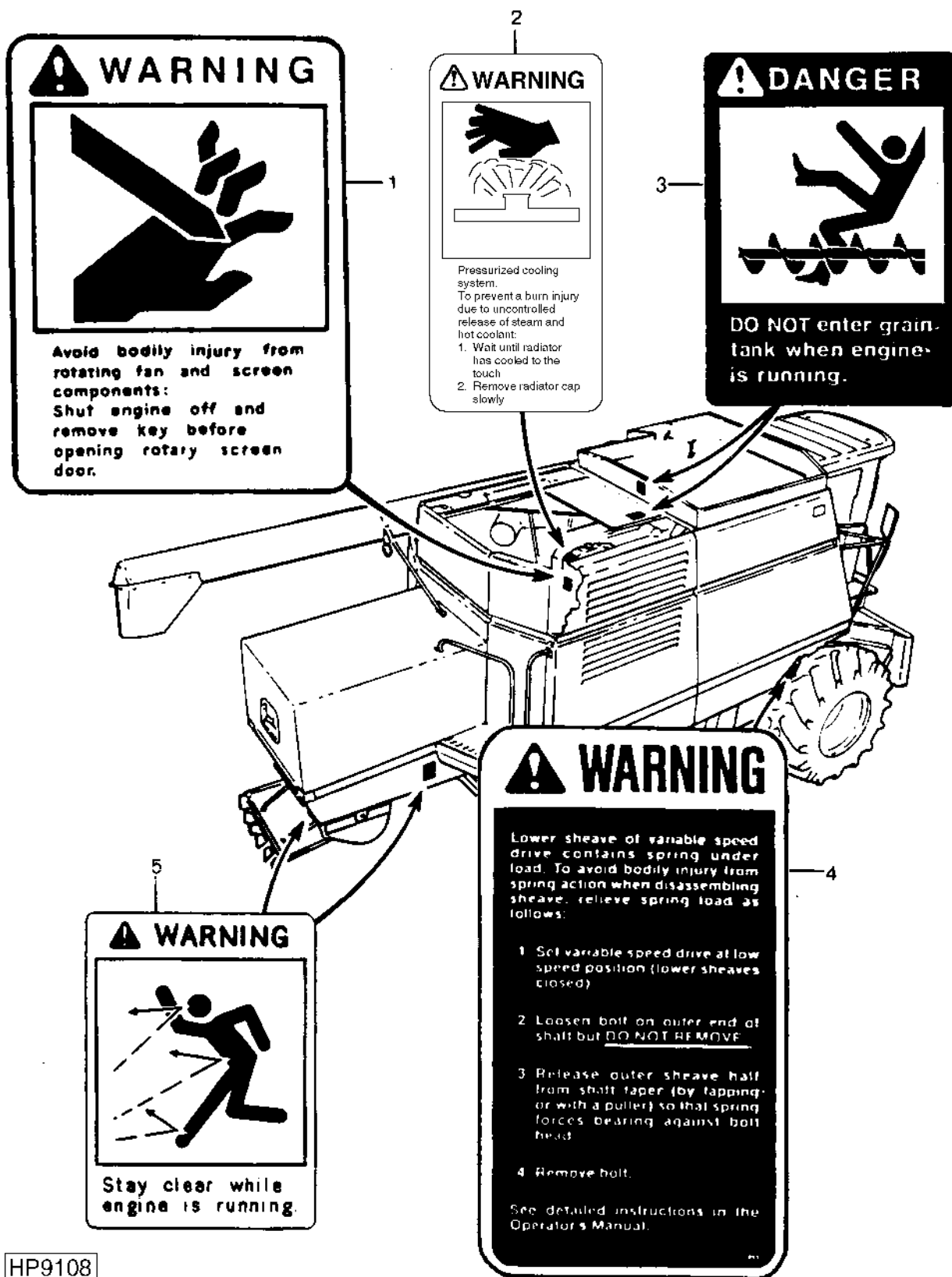
DECALS, BELTS AND CHAINS

SAFETY DECALS AND LOCATIONS - CONTINUED

KEY	PART NO.	PART NAME	QTY	SERIAL NO.	S H 9 5 0 0	REMARKS
1	H149102	DECAL	1		X X	CHOPPER
2	H149063	LABEL	1		X X	HEADER
3	H122573	DECAL	1	-671162	X	DUAL WHEELS
	H122573	DECAL	1	-670500	X	
	H158975	DECAL	1	671163-	X	
	H158975	DECAL	1	670501-	X	
4	H149099	DECAL	1		X X	CLEAN GRAIN ELEVATOR
5	H149064	LABEL	1		X X	LADDER
6	JD5401	SMV EMBLEM	1	-661484	X X	(SUB JD5400) SMV (SLOW MOVING VEHICLE)
	JD5400	SMV EMBLEM	1		X X	SMV (SLOW MOVING VEHICLE)

SAFETY DECALS AND LOCATIONS

HP9108 -UN-04JAN99



HP9108

10F12

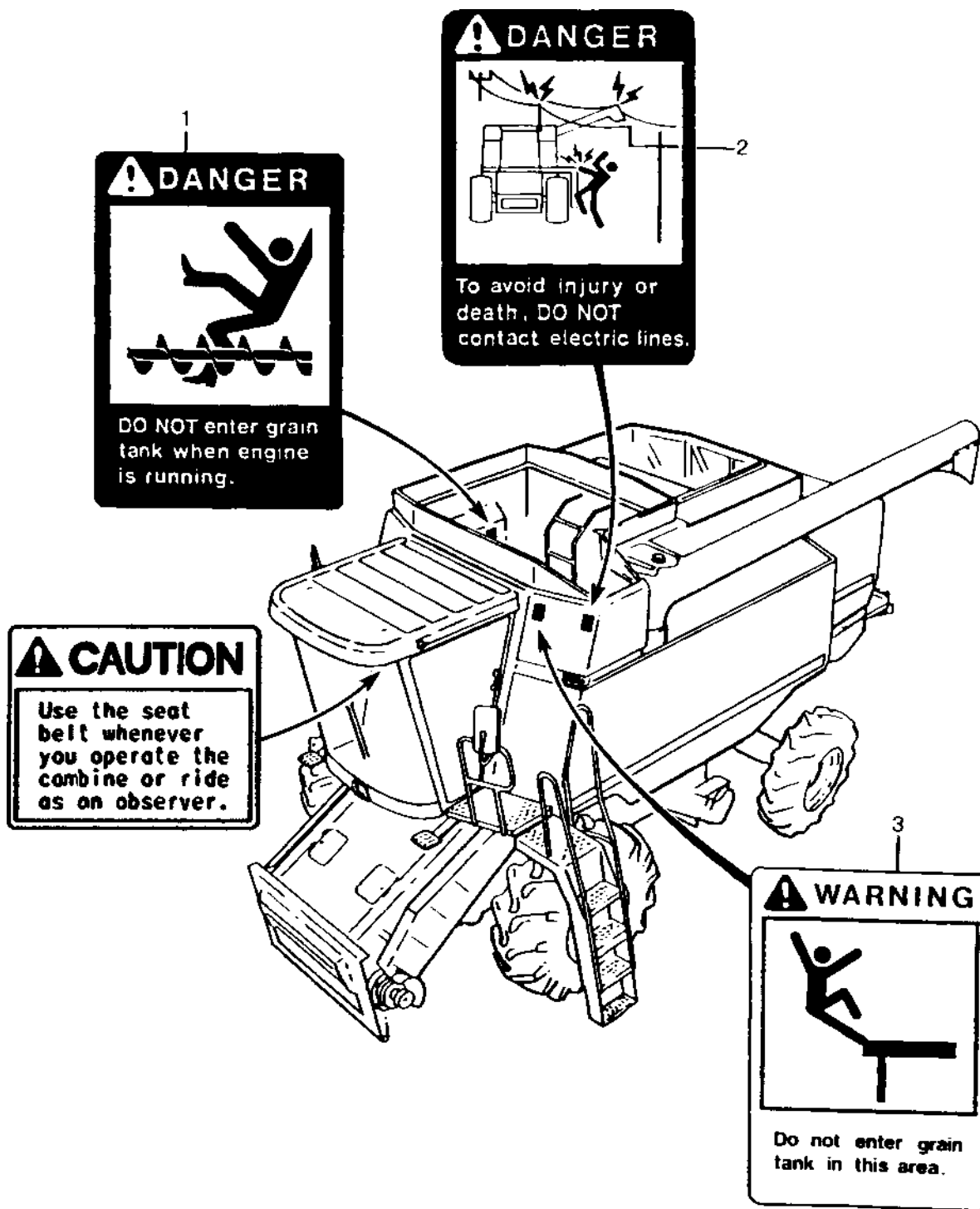
DECALS, BELTS AND CHAINS

SAFETY DECALS AND LOCATIONS - CONTINUED

KEY	PART NO.	PART NAME	QTY	SERIAL NO.	S H 9 9 5 5 0 0 0 0	REMARKS
1	H149088	DECAL	1		X X	FAN AND ROTARY SCREEN
2	H169344	DECAL	1		X X	(SUB FOR A2913R) PRESSURE COOLING SYSTEM
3	H149062	DECAL	2		X X	GRAIN TANK
4	H149037	DECAL	1		X X	VARIABLE CYLINDER DRIVE
5	H149096	LABEL	2		X X	PROJECTILE

10F13

SAFETY DECALS AND LOCATIONS
HP6221 -UN-04JAN96



HP6221

10F14

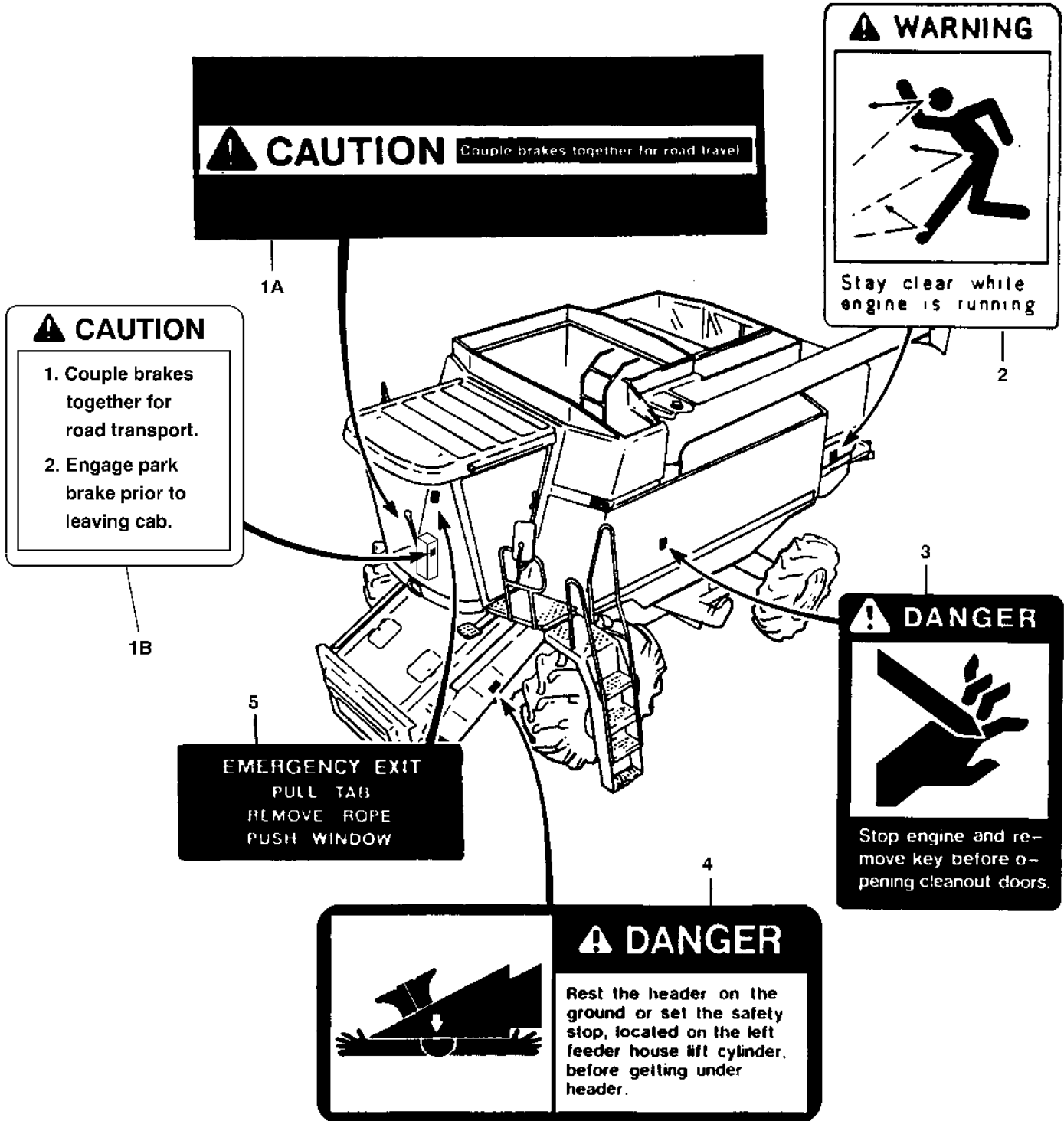
DECALS, BELTS AND CHAINS

SAFETY DECALS AND LOCATIONS - CONTINUED

KEY	PART NO.	PART NAME	QTY	SERIAL NO.	S H 9 5 0 0	REMARKS
1	H149062	DECAL	1		X X	GRAIN TANK
2	H149090	LABEL	1		X X	POWERLINE
3	H149065	LABEL	2		X X	FRONT ENTRY
4	H155510	SIGN	1	665201-	X X	SEATBELT

10F15

SAFETY DECALS AND LOCATIONS
HP6549 -UN-23AUG96



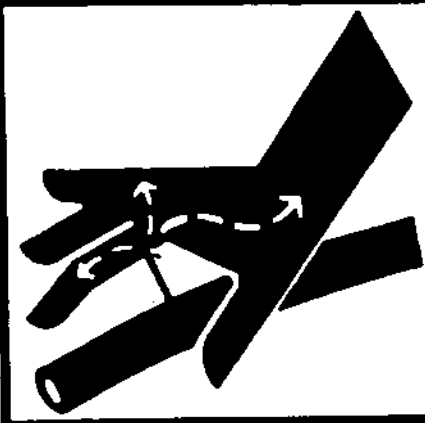
HP6549

10F16

DECALS, BELTS AND CHAINS

SAFETY DECALS AND LOCATIONS - CONTINUED

KEY	PART NO.	PART NAME	QTY	SERIAL NO.	S H 9 9 5 5 0 0 0 0	REMARKS
1A	H149068	LABEL	1	-6MAY96	X X	BRAKE
1B	H156390	LABEL	1	6MAY96-	X X	
2	H149096	LABEL	1		X X	PROJECTILE
3	H149066	LABEL	1		X X	AUGER
4	H149063	LABEL	1		X X	HEADER
5	H134535	LABEL	1		X X	EXIT



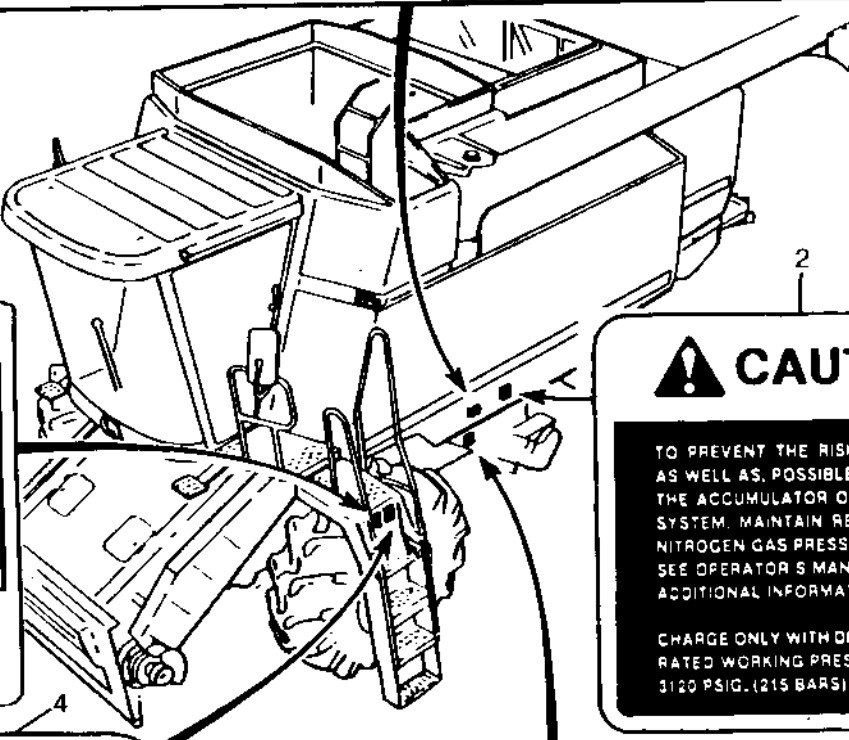
⚠ WARNING

Avoid bodily injuries from hydraulic oil and gas under pressure.

Before removing or charging accumulator


1. With feederhouse or header on the ground or in a supported position, open hand valve.
2. Start engine and hold header height control to lower position for 5 seconds to relieve system hydraulic pressure.
3. Stop engine.

Use only DRY NITROGEN for recharging accumulator.
See your John Deere dealer.



5

⚠ WARNING



Do not ride ladder while combine is moving.

2

⚠ CAUTION

TO PREVENT THE RISK OF INJURY, AS WELL AS POSSIBLE DAMAGE TO THE ACCUMULATOR OR HYDRAULIC SYSTEM, MAINTAIN RECOMMENDED NITROGEN GAS PRESSURE. SEE OPERATOR'S MANUAL FOR ADDITIONAL INFORMATION.

CHARGE ONLY WITH DRY NITROGEN. RATED WORKING PRESSURE IS 3120 PSIG. (215 BARS)

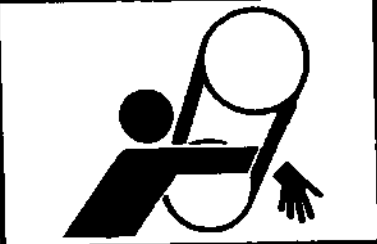
4

⚠ CAUTION

1. Keep all shields in place.
2. Disengage and shut off all engine and/or motor power before servicing or unclagging machine.
3. Keep hands, feet, and clothing away from power driven parts.

3

⚠ WARNING



Never raise shield with the engine running. Stop engine and remove key.

HP6163

10F18

DECALS, BELTS AND CHAINS

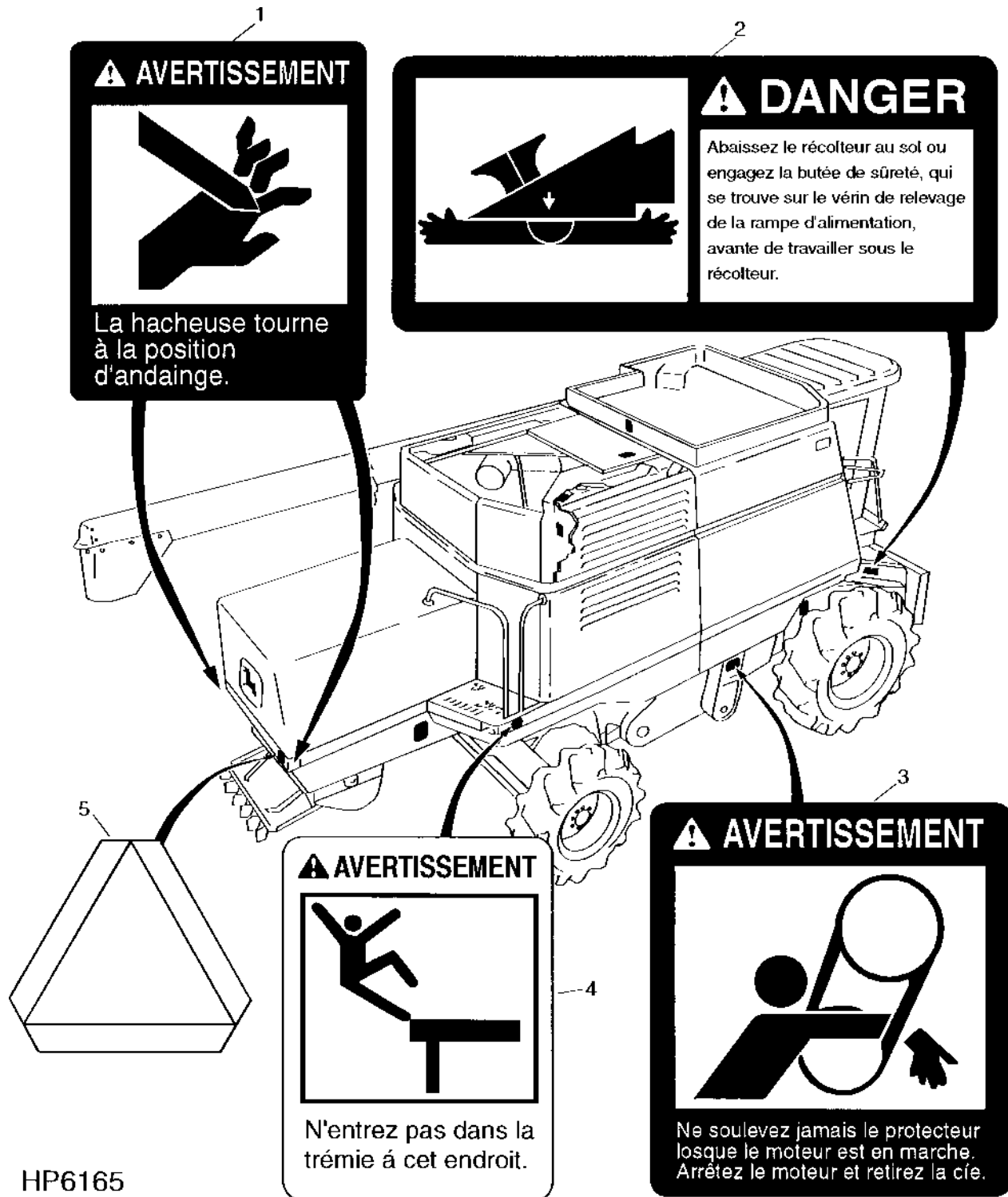
SAFETY DECALS AND LOCATIONS - CONTINUED

KEY	PART NO.	PART NAME	QTY	SERIAL NO.	S H 9 9 5 5 0 0 0 0	REMARKS
1	H149067	LABEL	1		X X	ACCUMULATOR
2	H149092	LABEL	1		X X	ACCUMULATOR
3	H149099	DECAL	1		X X	CLEAN GRAIN ELEVATOR
4	E82510	LABEL	1		X X	SEPARATOR
5	H149064	LABEL	1		X X	LADDER

10F19

DECALS, BELTS AND CHAINS

SAFETY DECALS AND LOCATIONS - FRENCH
HP6165 -28-20SEP95

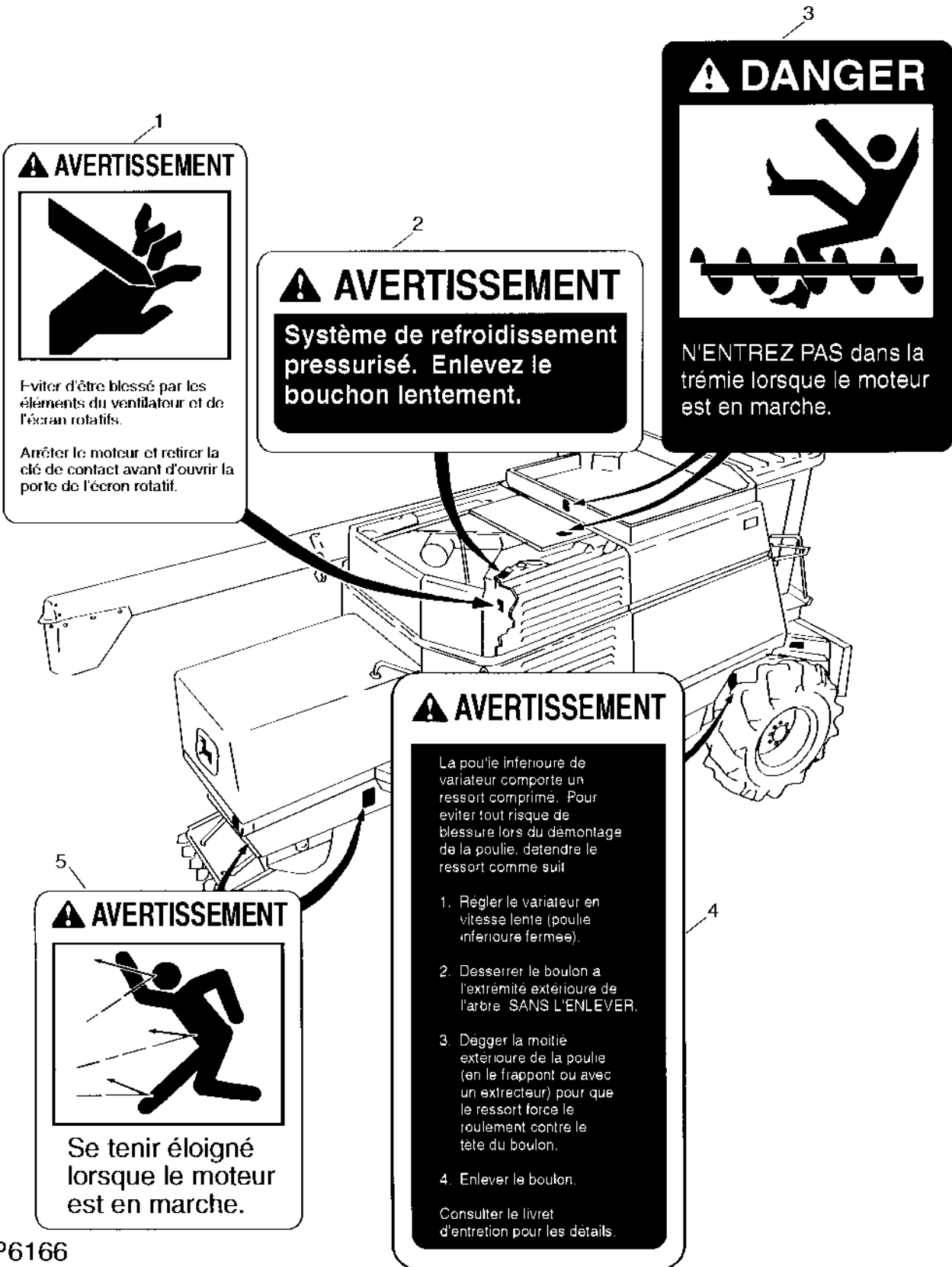


10F20

DECALS, BELTS AND CHAINS

SAFETY DECALS AND LOCATIONS - FRENCH - CONTINUED

KEY	PART NO.	PART NAME	QTY	SERIAL NO.	S H 9 5 0 0	REMARKS
1	H149103	DECAL	2		X	CHOPPER
2	H149077	DECAL	1		X	HEADER
3	H149100	LABEL	1		X	CLEAN GRAIN ELEVATOR
4	H149074	LABEL	1		X	LADDER
5	JD5401	SMV EMBLEM	1	-661484	X	(SUB JD5400) SMV (SLOW MOVING VEHICLE)
	JD5400	SMV EMBLEM	1		X	SMV (SLOW MOVING VEHICLE)
..	AH135254	LABEL KIT	1		X	



HP6166

10F22

DECALS, BELTS AND CHAINS

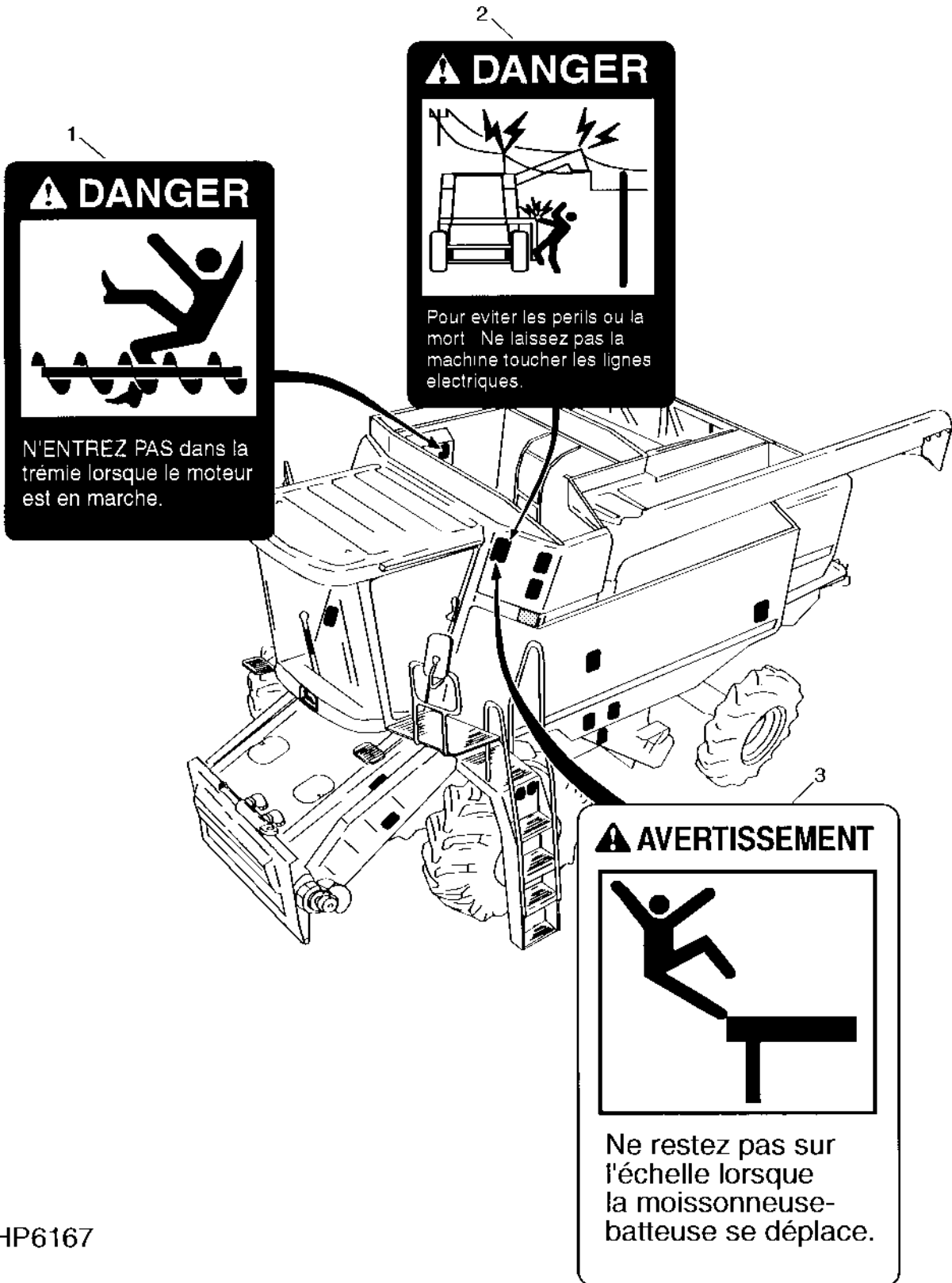
SAFETY DECALS AND LOCATIONS - FRENCH - CONTINUED

KEY	PART NO.	PART NAME	QTY	SERIAL NO.	S H 9 9 5 5 0 0 0 0	REMARKS
1	H149089	SIGN	1		X	FAN AND ROTARY SCREEN
2	H170105	LABEL	1		X	(SUB FOR H149046) PRESSURE COOLING SYSTEM
3	H149076	DECAL	2		X	GRAIN TANK
4	H149040	DECAL	1		X	VARIABLE CYLINDER DRIVE
5	H149097	LABEL	2		X	PROJECTILE
..	AH135254	LABEL KIT	1		X	

10F23

DECALS, BELTS AND CHAINS

SAFETY DECALS AND LOCATIONS - FRENCH
HP6167 -28-20SEP95



HP6167

10F24

DECALS, BELTS AND CHAINS

SAFETY DECALS AND LOCATIONS - FRENCH - CONTINUED

KEY	PART NO.	PART NAME	QTY	SERIAL NO.	S H 9 5 0 0	REMARKS
1	H149076	DECAL	1		X	GRAIN TANK
2	H149091	LABEL	1		X	POWERLINE
3	H149075	LABEL	2		X	FRONT ENTRY
..	AH135254	LABEL KIT	1		X	

10G1

DECALS, BELTS AND CHAINS

SAFETY DECALS AND LOCATIONS - FRENCH

HP6168 -28-20SEP95



HP6168

10G2

DECALS, BELTS AND CHAINS

SAFETY DECALS AND LOCATIONS - FRENCH - CONTINUED

KEY	PART NO.	PART NAME	QTY	SERIAL NO.	S H 9 9 5 5 0 0 0 0	REMARKS
1	H173824	LABEL	1		X	(SUB FOR H149080) BRAKE
2	H149097	LABEL	1		X	PROJECTILE
3	H149078	LABEL	1		X	AUGER
4	H149077	DECAL	1		X	HEADER
5	H134620	LABEL	1		X	EXIT
..	AH135254	LABEL KIT	1		X	

1

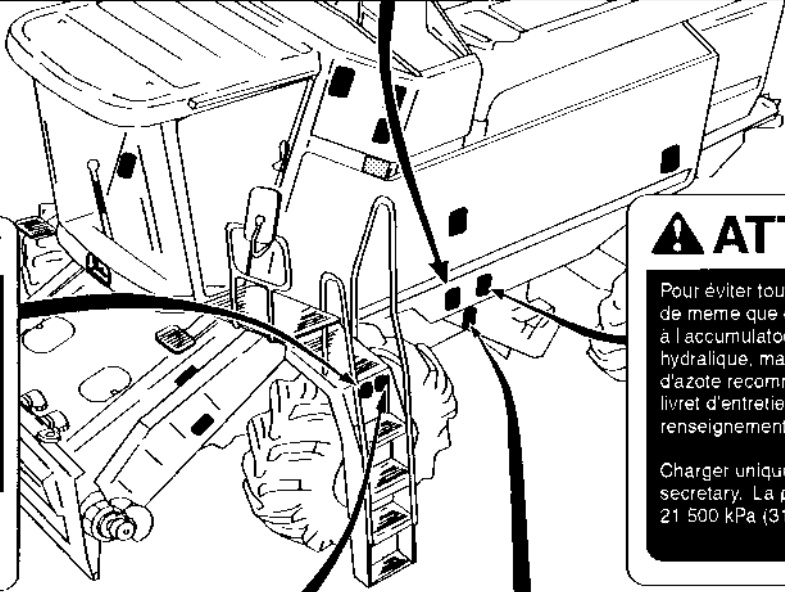


⚠ AVERTISSEMENT

Éviter les blessures corporelles provenant de l'huile hydraulique et du carburant sous pression. Avant d'enlever, de démonter ou de charger l'accumulateur:


1. Avec le rampe d'alimentation ou le récolteur ou sel ou on position soutenue, ouvrir le souapepe manuelle.
2. Faire émettre le moteur et tenir le commande de houtour du racolteur e le position inferioure pendant 5 secondes pour reduire le pression hydraulique du systeme.
3. Arrêter le moteur.

Utiliser uniquement de L'AZOTE secretary pour recharger l'accumulateur. Consulter le concessionnaire John Deere.



5

⚠ AVERTISSEMENT



N'entrez pas dans la trémie à cet endroit.

2

⚠ ATTENTION

Pour éviter tout de blessures de meme que des dammages possibles à l'accumulateur ou au système hydraulique, maintenir la pression d'azote recommandée. Consulter le livret d'entretien pour des renseignements supplémentaires.

Charger uniquement avec de l'azote secretary. La pression nominale est de 21 500 kPa (3120 psi)

4

⚠ ATTENTION

1. Laissez tous les protecteurs en place.
2. Debrayez et arrêtez le moteur ou l'entraînement avant de protéder à toute opération d'entretien sur la machine.
3. Tenez vos vêtements à l'écart des pieces mobiles.

3

⚠ AVERTISSEMENT



Ne soulevez jamais le protecteur lorsque le moteur est en marche. Arrêtez le moteur et retirez la clé.

HP6169

10G4

DECALS, BELTS AND CHAINS

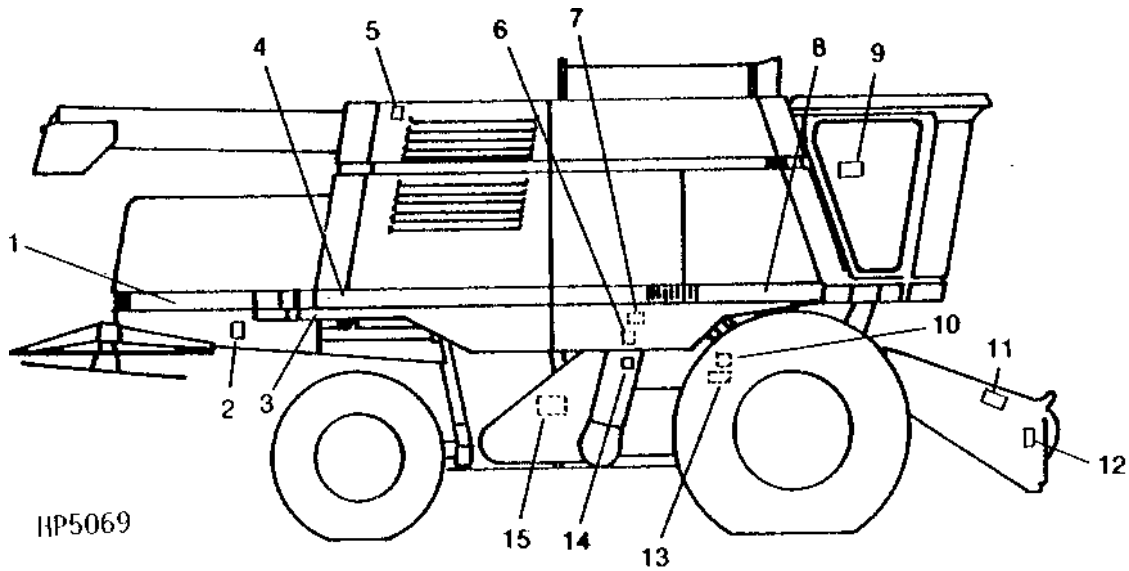
SAFETY DECALS AND LOCATIONS - FRENCH - CONTINUED

KEY	PART NO.	PART NAME	QTY	SERIAL NO.	S H 9 9 5 5 0 0 0 0	REMARKS
1	H149079	LABEL	1		X	ACCUMULATOR
2	H149098	LABEL	1		X	ACCUMULATOR
3	H149100	LABEL	1		X	CLEAN GRAIN ELEVATOR
4	E82575	LABEL	1		X	SEPARATOR
5	H149074	LABEL	1		X	LADDER
..	AH135254	LABEL KIT	1		X	

10G5

DECALS, BELTS AND CHAINS

RIGHT-HAND DECALS
HP5069 -UN-01JAN94



10G6

DECALS, BELTS AND CHAINS

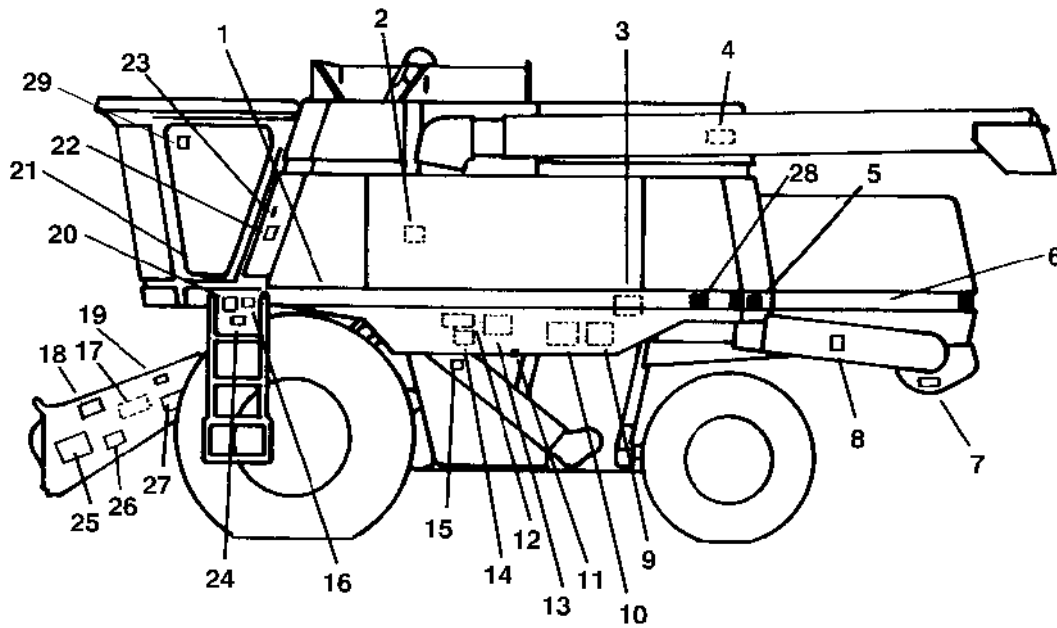
RIGHT-HAND DECALS - CONTINUED

KEY	PART NO.	PART NAME	QTY	SERIAL NO.	S H 9 5 0 0	REMARKS
1	H120923	LABEL	1		X X	ON R.H. REAR HOOD
2	H149096	LABEL	1		X X	(SUB FOR H138989) "PROJECTILE WARING" ON REAR HOOD
	H149097	LABEL	1		X	(SUB FOR H139036) (FRENCH) "PROJECTILE WARNING" ON R.H. REAR HOOD
3	H149064	LABEL	1		X X	(SUB FOR H133640) "LADDER WARNING" ON INSIDE OF R.H. ENGINE ACCESS DOOR
	H149075	LABEL	1		X	(SUB FOR H135128) (FRENCH) "WARNING" ON INSIDE R.H. ENGINE ACCESS DOOR
4	H133488	LABEL	2		X X	"JOHN DEERE" ON R.H. SERVICE ACCESS SHIELD
	H145196	LABEL	1		X	"SIDEHILL 9500" ON R.H. SERVICE ACCESS SHIELD
5	H144692	LABEL	1		X X	(SUB FOR H139989) "ROTARY SCREEN BELT" ON RADIATOR FRAME
6	H139392	LABEL	1		X X	"CLEAN GRAIN ELEVATOR BELT" ON LOWER CLEAN GRAIN ELEVATOR
7	H139393	LABEL	1		X X	"SHOE, WALKER, CONVEYOR AUGER BELT" ON CLEAN GRAIN ELEVATOR
8	H135252	LABEL	1		X	"9500" ON R.H. SERVICE ACCESS SHIELD
9	H134535	LABEL	1		X X	"EMERGENCY EXIT" ON R.H. CAB GLASS
	H134620	LABEL	1		X	(FRENCH) "EMERGENCY EXIT" ON REAR AREA OF R.H. WINDOW FRAME
10	H149037	DECAL	1		X X	(SUB FOR H110438) "WARNING" ON FRONT HALF OF CLEAN GRAIN ELEVATOR
	H149040	DECAL	1		X	(SUB FOR H114321) (FRENCH) "WARNING" ON FRONT HALF OF CLEAN GRAIN ELEVATOR
11	H149063	LABEL	1		X X	(SUB FOR H133639) "HEADER DANGER" ON SIDE OF SHIELD
	H149077	DECAL	1		X	(SUB FOR H135130) (FRENCH) "HEADER DANGER" ON FEEDERHOUSE AND SHIELD
12	H129094	LABEL	2		X	(SUB FOR H123351) (FRENCH) "FEEDER DRUM HEIGHT ADJUSTMENT" ON FEEDER HOUSE
13	H114320	DECAL	1		X	(SUB FOR H114270) (FRENCH) (DUAL RANGE) ON R.H. FRONT WALKER COVER
14	H149099	DECAL	1		X X	(SUB FOR H139948) "WARNING" ON FRONT HALF OF CLEAN GRAIN ELEVATOR
	H149100	LABEL	1		X X	(SUB FOR H139949) (FRENCH) "WARNING" ON FRONT HALF OF CLEAN GRAIN ELEVATOR
15	H151618	LABEL	1	-665200	X X	(SUB FOR H140580 OR H151141) R.H. "LUBE CHART" (DUAL RANGE)
	H151620	LABEL	1	660201-665200	X X	(SUB FOR H140582 OR H151143) R.H. "LUBE CHART" (SINGLE RANGE)
	H154999	LABEL	1	665201-	X X	R.H. "LUBE CHART" (SINGLE RANGE)
	H155000	LABEL	1	665201-	X X	R.H. "LUBE CHART" (DUAL RANGE)
..	AH135254	LABEL KIT	1		X	(SUB FOR AH122977) FRENCH

10G7

DECALS, BELTS AND CHAINS

LEFT-HAND DECALS
HP6681 -UN-21MAR97



HP6681

10G8

DECALS, BELTS AND CHAINS

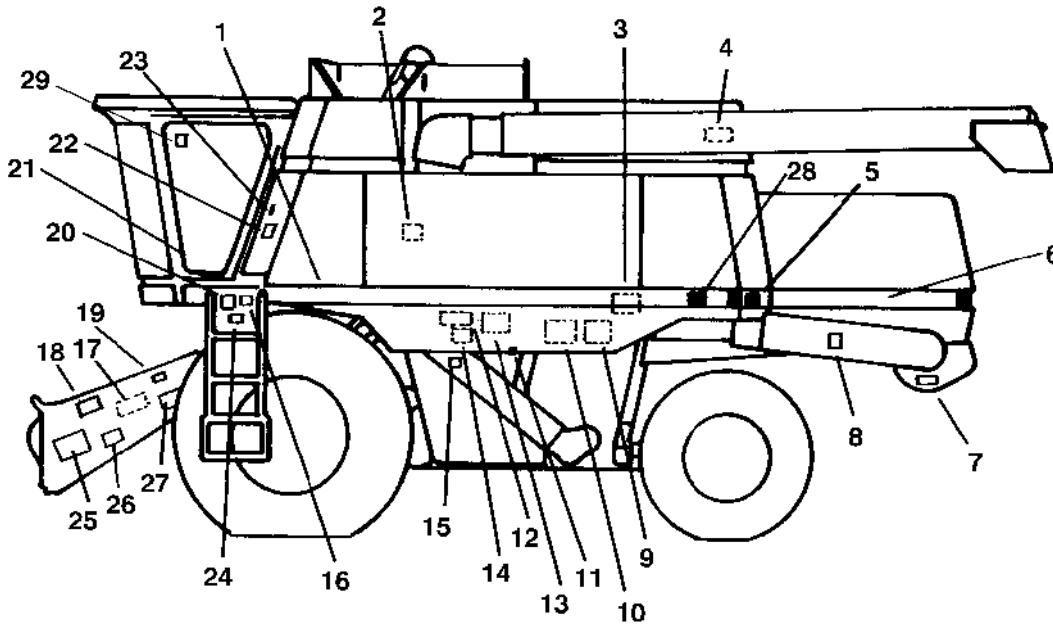
LEFT-HAND DECALS - CONTINUED

KEY	PART NO.	PART NAME	QTY	SERIAL NO.	S H 9 5 0 0	REMARKS
1	H135253	LABEL	1		X	"9500" ON L.H. SERVICE ACCESS SHIELD
	H145197	LABEL	1		X	"SIDEHILL 9500" ON L.H. SERVICE ACCESS SHIELD
2	H149066	LABEL	1		X X	(SUB FOR H133642) "AUGER WARNING" ON UNLOADING ARM
	H149078	LABEL	1		X	(SUB FOR H135133) (FRENCH) "AUGER WARNING" ON UNLOADING ARM
3	H142182	LABEL	1	635845-	X X	(SUB FOR H133996 OR H140583) "LUBE CHART" ON L.H. SIDE
4	H141343	LABEL	1	638458-	X X	"LUBE CHART" ON L.H. SIDE
	H110923	LABEL	1		X X	HYDRAULIC RESERVOIR LABEL ON R.H. SIDE OF HYDRAULIC RESERVOIR
	H127078	LABEL	1		X	(FRENCH) HYDRAULIC RESERVOIR LABEL ON R.H. SIDE OF HYDRAULIC RESERVOIR
5	H137356	LABEL	1		X	"STYLING PANEL" CENTER ON LH REAR PANEL
6	H120924	LABEL	1		X X	"STYLING PANEL" CENTERED ON L.H. SIDE OF REAR HOOD
7	H145857	LABEL	2	-29SEP7	X X	(SUB FOR H139431) CHOPPER POSITION - ON EACH SIDE
	H165247	LABEL	2	29SEP7-	X X	CHOPPER POSITION - ON EACH SIDE
	H145858	LABEL	1		X X	"WARNING" CHOPPER POSITION (FRENCH)
8	H149096	LABEL	1		X X	(SUB FOR H138989) "PROJECTILE WARNING" ON R.H. REAR HOOD
	H149097	LABEL	1	-660200	X	(SUB FOR H139036) (FRENCH) "PROJECTILE WARNING" ON RH SIDE OF REAR HOOD
9	H128315	LABEL	1		X X	"DIAGNOSTIC PORTS" ON INSIDE OF LOWER REAR CORNER OF LH SERVICE ACCESS SHIELD
	H129099	LABEL	1		X	(FRENCH) "DIAGNOSTIC PORTS" ON INSIDE OF LOWER REAR CORNER OF LH SERVICE ACCESS SHIELD
10	H150763	LABEL	1		X X	(SUB FOR H131021)
	H135131	LABEL	1		X	(FRENCH) "EH VALVE STACK" ON INSIDE OF LOWER REAR CORNER OF L.H. SERVICE ACCESS SHIELD
11	H80796	DECAL	1		X X	"VARIABLE SPEED FAN HANDWHEEL" ON VARIABLE SPEED FAN WHEEL
12	H132811	LABEL	1		X X	"ACCUMULATOR DECAL" ON L.H. SIDE SHEET
	H135132	LABEL	1		X	(FRENCH) "ACCUMULATOR DECAL" ON L.H. SIDE SHEET
13	H149092	LABEL	2		X X	(SUB FOR H138423) "CAUTION" ON ACCUMULATOR
	H149098	LABEL	2		X	(SUB FOR H139049) (FRENCH) "CAUTION" ON ACCUMULATOR
14	H149079	LABEL	1		X	(SUB FOR H135134) (FRENCH) "WARNING" ON MID SILL
15	H149067	LABEL	1		X X	(SUB FOR H133643) "WARNING" ACCUMULATOR
	H149099	DECAL	1		X X	(SUB FOR H139948) "WARNING" ON FRONT HALF OF CLEAN GRAIN ELEVATOR
	H149100	LABEL	1		X	(SUB FOR H139949) (FRENCH) "WARNING" ON FRONT OF TAILINGS ELEVATOR
16	H173111	LABEL	1		X	(SUB FOR H127253 OR H145547) "TIRE LOADING" ON CAB LADDER (SERVICE ONLY)
	H173336	LABEL	1		X	(SUB FOR H127325, H127326 OR H127327) (FRENCH) "TIRE LOADING" ON CAB LADDER
17	H135405	LABEL	1	-670849	X X	"FEEDER HOUSE CHAIN LABEL" ON L.H. SIDE OF FEEDER HOUSE (NO LONGER AVAILABLE)
	H160795	LABEL	1		X	(SUB FOR H135406) (FRENCH) "FEEDER HOUSE CHAIN LABEL" ON L.H. SIDE OF FEEDER HOUSE
	H160701	LABEL	1	670850-	X	"FEEDER HOUSE CHAIN ADJUSTMENT"
	H160702	LABEL	1	2DEC96-	X	"FEEDER HOUSE CHAIN ADJUSTMENT"
18	H137939	LABEL	1		X X	"HARNESS AND HOSE STORAGE" ON L.H. DRIVE SHIELD
	H137940	LABEL	1		X	(FRENCH) "HARNESS AND HOSE STORAGE" ON L.H. DRIVE SHIELD
19	H126397	LABEL	1		X X	"VARIABLE SPEED DRIVE" ON SIDE OF FEEDER HOUSE SHIELD

10G9

DECALS, BELTS AND CHAINS

LEFT-HAND DECALS - CONTINUED
HP6681 -UN-21MAR97



HP6681

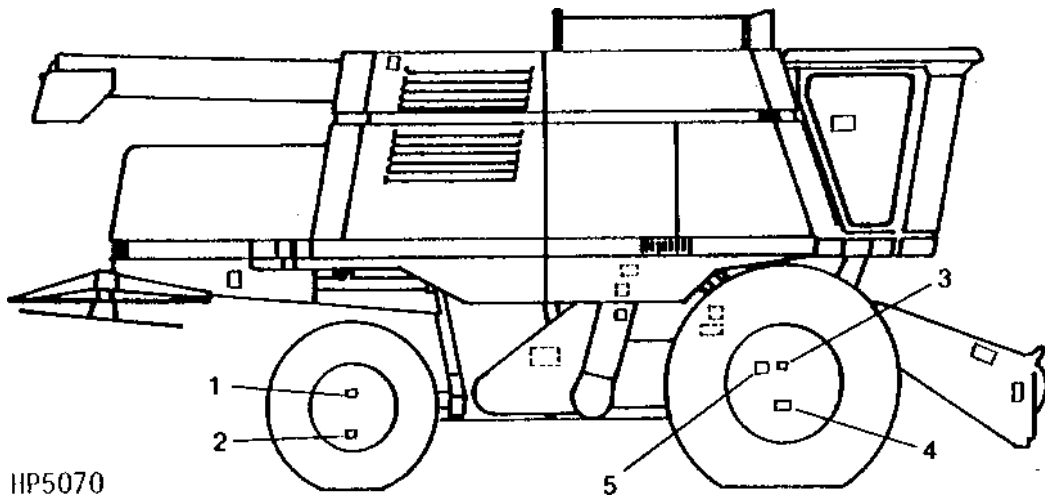
KEY	PART NO.	PART NAME	QTY	SERIAL NO.	S	H	REMARKS
					9	9	
					5	5	
					0	0	
					0	0	
20	H133640	LABEL	1	-660200	X	X	(SUB H149064) "LADDER WARNING" ON CAB LADDER
	H149064	LABEL	1		X	X	"LADDER WARNING" ON INSIDE OF R.H. ENGINE ACCESS DOOR
	H135128	LABEL	1	-660200	X		(SUB H149075) (FRENCH) "LADDER WARNING" ON CAB LADDER
21	H149075	LABEL	1		X		(FRENCH) "LADDER WARNING" ON CAB LADDER
	H134767	LABEL	1	-660200	X	X	(SUB H149068) "BRAKE" ON GEARSHIFT
	H135242	LABEL	1		X		(SUB H149080) (FRENCH) "BRAKE LABEL" ON GEARSHIFT
	H173824	LABEL	1		X		(SUB FOR H149080) (FRENCH) "BRAKE" ON GEARSHIFT
22	H149068	LABEL	1		X	X	"BRAKE"
	H135167	LABEL	1		X		(FRENCH) ON FILTER DOOR ABOVE ENGLISH DIRECTION
23	H136583	LABEL	1		X		(FRENCH) ON INSIDE WALL OF FILTER TRAY, BEHIND CAB SEAT
24	JD5255	DECAL	1	-650938	X	X	(SUB E82510) "CAUTION" ON CAB LADDER
	E82510	LABEL	1	-655402	X	X	
	JD5127	DECAL	1		X		(SUB E82575) (FRENCH) "CAUTION" ON CAB LADDER
	E82575	LABEL	1		X		(FRENCH) "CAUTION" ON CAB LADDER
25	H147324	LABEL	1			X	"SIDEHILL HEADER DRIVESHAFT LUBE" ON L.H. FDR HSE DRIVE SHIELD
26	H133639	LABEL	2	-660200	X	X	(SUB H149063) "HEADER DANGER" ON L.H. FDR HSE DRIVE SHIELD
	H149063	LABEL	2		X	X	"HEADER DANGER" ON FEEDERHOUSE AND SHIELD
27	H141881	LABEL	1		X		"SIDEHILL FINAL DRIVE LUBE" ON L.H. FDR HSE DRIVE SHIELD
28	H133488	LABEL	1		X	X	"JOHN DEERE" ON SERVICE ACCESS SHIELD
29	H160459	LABEL	1	670962-670000	X	X	"ROAD CORROSION"
..	AH122977	DECAL	1	-633065	X		(SUB AH135254) FRENCH DECAL KIT
..	AH135254	LABEL KIT	1		X		FRENCH DECAL KIT

THIS PARTS LISTING IS CONTINUED

MEMORANDA

10G10

FRONT AND REAR WHEEL DECALS
HP5070 -UN-01JAN94



HP5070

10G11

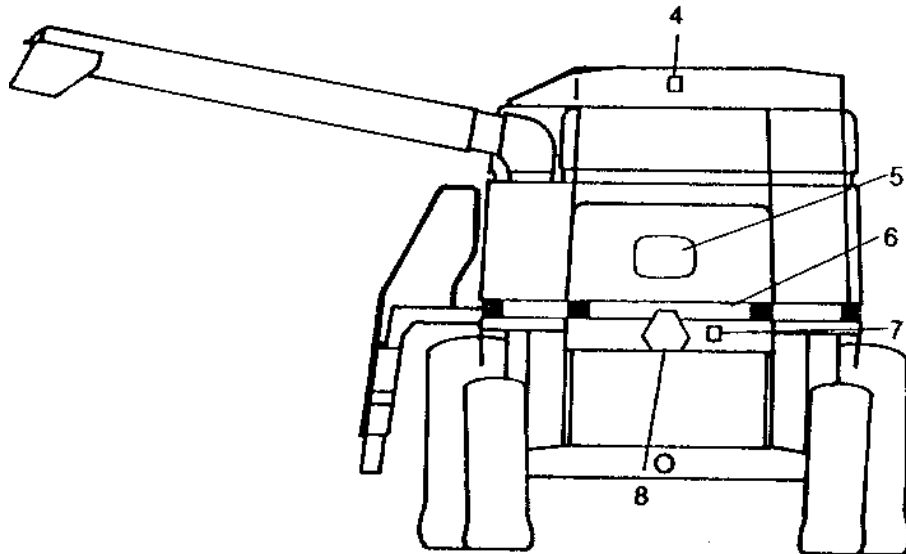
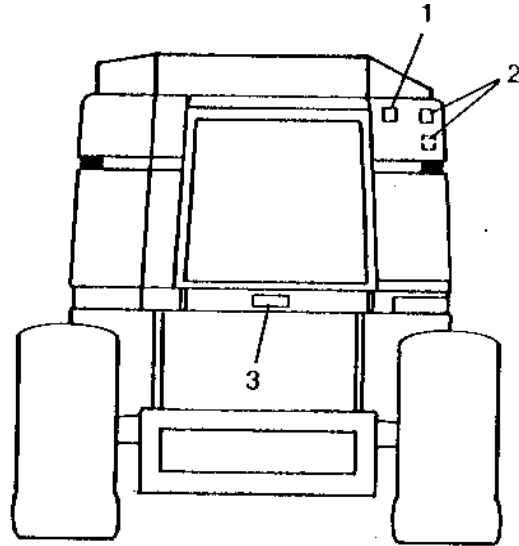
DECALS, BELTS AND CHAINS

FRONT AND REAR WHEEL DECALS - CONTINUED

KEY	PART NO.	PART NAME	QTY	SERIAL NO.	S H 9 5 0 0	REMARKS
1	H145995	LABEL	2		X X	(SUB FOR H116641) "IMPORTANT" WHEEL BOLT TORQUE 205 NM (150 LB-FT), REAR WHEELS
	H150646	DECAL	2	660201-	X X	"IMPORTANT" 15 PSI (103 KPA) (28L X 26-10 OR 12 PLY TIRE) (68 X 50-32 16 PLY TIRE)
	H174266	LABEL	2	660201-	X X	(SUB FOR H151575) "IMPORTANT" ON AXLE STOP (28L X 26-10 OR 12 PLY TIRE)
	H145996	LABEL	2		X	(SUB FOR H127076) (FRENCH) "IMPORTANT" WHEEL BOLT TORQUE 205 NM(150 LB-FT), REAR WHEELS
2	H111541	LABEL	2		X X	"IMPORTANT" TIRE PRESSURE - 40 PSI (275 KPA) ON WHEEL NEAR VALVE STEM
	H127073	LABEL	2		X	(FRENCH) "IMPORTANT" TIRE PRESSURE - 40 PSI (275 KPA) ON WHEEL NEAR VALVE STEM
	H140709	LABEL	2		X X	"IMPORTANT" TIRE PRESSURE - 26 PSI (180 KPA) ON WHEEL NEAR VALVE STEM
	H140749	LABEL	2		X	(FRENCH) "IMPORTANT" TIRE PRESSURE - 26 PSI (180 KPA) ON WHEEL NEAR VALVE STEM
	H108604	LABEL	2		X X	"IMPORTANT" TIRE PRESSURE - 20 PSI (140 KPA) ON WHEEL NEAR VALVE STEM
	H127067	LABEL	2		X	(FRENCH) "IMPORTANT" TIRE PRESSURE - 20 PSI (140 KPA) ON WHEEL NEAR VALVE STEM
	H127070	LABEL	2		X	(FRENCH) "IMPORTANT" TIRE PRESSURE - 30 PSI (205 KPA) ON WHEEL NEAR VALVE STEM
3	H134442	LABEL	2		X X	"WHEEL BOLT TORQUE" ON WHEEL NEAR RING
	H135141	LABEL	2		X	(FRENCH) "WHEEL BOLT TORQUE" ON WHEEL NEAR RING
4	H139603	LABEL	2		X X	"WHEEL BOLT TORQUE" ON WHEEL NEAR RING
	H108605	LABEL	2		X	"TIRE PRESSURE" 24 PSI (165 KPA) ON WHEEL NEAR VALVE STEM
	H127068	LABEL	2		X	(FRENCH) "TIRE PRESSURE" 24 PSI (165 KPA) ON WHEEL NEAR VALVE STEM
	H140711	LABEL	2		X X	"TIRE PRESSURE" 36 PSI (250 KPA) ON WHEEL NEAR VALVE STEM
	H140751	LABEL	2		X	(FRENCH) "TIRE PRESSURE" 36 PSI (250 KPA) ON WHEEL NEAR VALVE STEM
	H116640	LABEL	2		X X	"TIRE PRESSURE" 32 PSI (220 KPA) ON WHEEL NEAR VALVE STEM
	H127075	LABEL	2		X	(FRENCH) "TIRE PRESSURE" 32 PSI (220 KPA) ON WHEEL NEAR VALVE STEM
	H108604	LABEL	2		X X	"TIRE PRESSURE" 20 PSI (140 KPA) ON WHEEL NEAR VALVE STEM
	H127067	LABEL	2		X	(FRENCH) "TIRE PRESSURE" 20 PSI (140 KPA) ON WHEEL NEAR VALVE STEM
	H140709	LABEL	2		X X	"TIRE PRESSURE" 26 PSI (180 KPA) ON WHEEL NEAR VALVE STEM
	H140749	LABEL	2		X	(FRENCH) "TIRE PRESSURE" 26 PSI (180 KPA) ON WHEEL NEAR VALVE STEM
	H145627	DECAL	2		X	"TIRE PRESSURE" 42 PSI (300 KPA) ON WHEEL NEAR VALVE STEM
	H140768	LABEL	2		X	(FRENCH) "TIRE PRESSURE" (46 PSI)
5	H122573	DECAL	2	-671162	X	"CAUTION" REMOVING DUAL WHEELS
	H158975	DECAL	2	671163-	X	
..	AH122977	DECAL	1	-633065	X	(SUB AH135254) KIT, FRENCH
..	AH135254	LABEL KIT	1		X	FRENCH

10G12

FRONT AND REAR DECALS
HP3550 -UN-01JAN94



HP3550

10G13

DECALS, BELTS AND CHAINS

FRONT AND REAR DECALS - CONTINUED

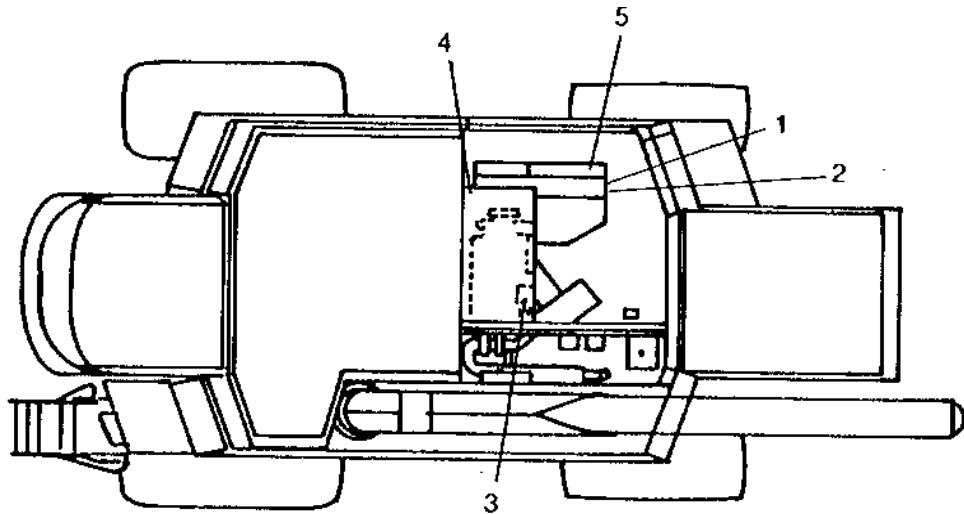
KEY	PART NO.	PART NAME	QTY	SERIAL NO.	S H 9 5 0 0 0 0	REMARKS
1	H137426	LABEL	1	-660200	X X	(SUB H149090) "DANGER" ON ACCESS DOOR
	H149090	LABEL	1		X X	"DANGER" ON ACCESS DOOR
	H137427	LABEL	1	-660200	X	(SUB H149091) (FRENCH) "DANGER" ON ACCESS DOOR
2	H149091	LABEL	1		X	(FRENCH) "DANGER" ON ACCESS DOOR
	H133641	LABEL	2	-660200	X X	(SUB H149065) "WARNING" ONE ON OUTSIDE OF ACCESS DOOR, AND ONE ON INSIDE OF ACCESS DOOR
	H149065	LABEL	2			"WARNING" ONE ON OUTSIDE OF ACCESS DOOR, AND ONE ON INSIDE OF ACCESS DOOR
	H135126	LABEL	2	-660200	X	(SUB H149074) (FRENCH) "WARNING" ONE ON OUTSIDE OF ACCESS DOOR, ONE ON INSIDE OF ACCESS DOOR
	H149074	LABEL	2		X	(FRENCH) "WARNING" ON ON INSIDE ACCESS DOOR ONE ON OUTSIDE ACCESS DOOR
3	H136158	LABEL	1	-655491	X X	(SUB H149480) "LEAPING DEER" ON FRONT SHIELD
	H149480	LABEL	1		X X	"LEAPING DEER" ON FRONT SHIELD
4	H133638	LABEL	1	-660200	X X	(SUB H149062) "DANGER" ON REAR GRAIN TANK EXTENSION
	H149062	DECAL	1		X X	"DANGER" ON REAR GRAIN TANK EXTENSION
	H135129	LABEL	1	-660200	X	(SUB H149076) (FRENCH) "DANGER" ON REAR GRAIN TANK EXTENSION
	H149076	DECAL	1		X	(FRENCH) "DANGER" ON REAR GRAIN TANK EXTENSION
5	JD5592	DECAL	1		X X	"LEAPING DEER" CENTERED ON UPPER REAR HOOD
6	H121040	LABEL	1		X X	"STYLING LABEL" BETWEEN LIGHTS ON REAR HOOD
7	H138989	LABEL	1	-660200	X X	(SUB H149096) "PROJECTILE WARNING" ON REAR HOOD END SHEET
	H149096	LABEL	1		X X	"PROJECTILE WARNING" ON R.H. REAR HOOD
	H139036	LABEL	1	-660200	X	(SUB H149097) (FRENCH) "PROJECTILE WARNING" ON REAR HOOD END SHEET
	H149097	LABEL	1		X	(FRENCH) "PROJECTILE WARNING" ON R.H. REAR HOOD
8	JD5401	SMV EMBLEM	1	-661484	X X	(SUB JD5400) "SMV DECAL" ON DEFLECTOR
	H134667	DEFLECTOR	1		X X	ON SPREADER OR LOWER REAR HOOD

10G14

DECALS, BELTS AND CHAINS

TOP DECALS

HP3551 -UN-01JAN94



HP3551

KEY	PART NO.	PART NAME	QTY	SERIAL NO.	S H 9 5 0 0	REMARKS
1	H137201	DECAL	1		X X	ON REAR SHEET OF RADIATOR MOUNTING FRAME
	H137364	DECAL	1		X	(FRENCH) ON REAR SHEET OF RADIATOR MOUNTING FRAME
2	H137202	DECAL	2	-660200	X X	(SUB H149088) ON REAR SHEET OF RADIATOR MOUNTING FRAME, ABOVE ROTARY SCREEN DOOR LATCH
	H137365	DECAL	1	-660200	X	(SUB H149089) (FRENCH) ON REAR SHEET OF RADIATOR MOUNTING FRAME
	H149089	SIGN	1		X	(SUB H149089) (FRENCH) ON REAR SHEET OF RADIATOR MOUNTING FRAME
3	H149088	DECAL	1		X X	"WARNING" FAN & ROTARY SCREEN
	H86896	DECAL	1		X X	ON ENGINE STARTING AID UNIT TO REAR OF OF MACHINE
	H95273	DECAL	1		X	(FRENCH) ON ENGINE STARTING AID UNIT TO REAR OF MACHINE
4	H133638	LABEL	1	-660200	X X	(SUB H149062) ON FRONT OF ENGINE COVER
	H149062	DECAL	1		X X	"WARNING" ON REAR GRAIN TANK EXTENSION
	H135129	LABEL	1	-660200	X	(SUB H149076) (FRENCH) ON FRONT OF ENGINE COVER
	H149076	DECAL	1		X	(FRENCH) "DANGER" ON REAR GRAIN TANK EXTENSION
5	H169344	DECAL	1		X X	(SUB FOR A2913R) ON TOP OF RADIATOR
	H95236	DECAL	1	-660200	X	(SUB H149046) (FRENCH) ON TOP OF RADIATOR
	H170105	LABEL	1		X	(SUB FOR H149046) (FRENCH) ON TOP OF RADIATOR

NUMERICAL INDEX

PART NO.	GRID	KEY	PAGE	PART NO.	GRID	KEY	PAGE	PART NO.	GRID	KEY	PAGE
AA27536	3C12	10	40-7	AE49003	6E21	..	70-69	AH10888	1B25	16	20-3
AA27536	5D4	23	60-25	AE49773	8F16	1	110-89	AH109056	9D10	43	121-33
AA27536	7F14	10	90-35	AE49777	6E10	35	70-57	AH109120	3C20	11	40-15
AA27536	7H2	23	90-73	AE49777	6E14	..	70-61	AH109120	3C20	18	40-15
AA5607R	1C5	27	20-9	AE49777	6E17	..	70-65	AH109120	3C20	25	40-15
AA5607R	9D16	12	121-39	AE49777	6E19	..	70-67	AH109120	3C20	28	40-15
AA5607R	9D22	14	121-45	AE49777	6E21	..	70-69	AH109120	3H5	3	40-122
AA5607R	9E6	10	121-53	AE50995	6E10	35	70-57	AH109197	9D22	20	121-45
AA5607R	9E18	3	121-65	AF1466R	9D10	46	121-33	AH109197	9E6	27	121-53
AA5607R	9E22	19	121-69	AH100012	3E16	1	40-61	AH109197	9E18	7	121-65
AA5607R	9E24	17	121-71	AH100013	3E16	6	40-61	AH109197	9I12	14	125-75
AA5607R	9F2	34	121-73	AH101202	5D17	7	60-38	AH109197	10C11	11	130-9
AA5607R	9F4	33	121-75	AH101202	5D17	8	60-38	AH109555	3C6	6	40-1
AA5607R	9I12	11	125-75	AH101202	5D17	10	60-38	AH109788	1C3	9	20-7
AA5607R	10C25	12	130-23	AH101202	5D17	11	60-38	AH109788	8E9	13	110-57
AB18206	6C7	3	70-3	AH101202	5D17	12	60-38	AH109788	8E13	16	110-61
AB5070R	9D2	22	121-25	AH101202	5D17	13	60-38	AH109788	8F10	6	110-83
AC11779	9I7	10	125-70	AH101202	5D17	15	60-38	AH109874	7E24	1	90-21
AC11779	10C9	10	130-7	AH101202	5D17	17	60-38	AH11015	9H10	6	125-49
AC14974	9I7	10	125-70	AH101202	5D17	18	60-38	AH110674	7G3	2	90-49
AC14974	10C9	10	130-7	AH101202	5D17	19	60-38	AH110887	9D10	31	121-33
AC15595	2G14	14	32-13	AH101202	5D17	..	60-38	AH111354	10E6	7	130-53
AD2062R	3E20	1	40-65	AH101202	5D18	11	60-39	AH111354	10E8	22	130-55
AE22622	9E24	8	121-71	AH104259	3C20	2	40-15	AH111447	9D14	14	121-37
AE22622	9F4	38	121-75	AH104783	9D22	19	121-45	AH111447	9E6	25	121-53
AE23516	8F12	4	110-85	AH104783	9E4	12	121-51	AH111704	3C20	13	40-15
AE23516	8F14	4	110-87	AH105040	8D22	23	110-45	AH111705	3C20	16	40-15
AE23516	8F16	5	110-89	AH105521	3F2	9	40-71	AH111705	3C20	21	40-15
AE23791	7F18	18	90-39	AH106010	7E16	1	90-13	AH111705	3C20	23	40-15
AE23791	8D24	18	110-47	AH106010	7E16	2	90-13	AH111705	3H5	4	40-122
AE26118	8H16	3	120-47	AH106096	10E16	18	130-63	AH111970	9D24	26	121-47
AE27909	8E23	11	110-71	AH106110	9D18	7	121-41	AH111971	9E2	4	121-49
AE27909	8E25	2	110-73	AH106296	6C19	1	70-15	AH112031	9C23	12	121-21
AE27909	8F10	13	110-83	AH106296	9D18	5	121-41	AH112033	9C19	2	121-17
AE30624	9F2	27	121-73	AH106296	9D18	21	121-41	AH112169	3C20	19	40-15
AE30624	9F4	26	121-75	AH106606	10E10	11	130-57	AH112169	3C20	21	40-15
AE37060	6E8	..	70-54	AH106612	3C18	8	40-13	AH112189	3F14	8	40-83
AE37830	6D14	..	70-35	AH106612	3C20	12	40-15	AH112189	3F16	8	40-85
AE37830	6D15	5	70-36	AH106612	3E24	1A	40-69	AH112189	3F18	8	40-87
AE37848	6E14	..	70-61	AH106612	3F22	4	40-91	AH112284	4D18	13	50-39
AE37848	6E15	..	70-62	AH106612	3F22	7	40-91	AH112284	5D22	6	60-43
AE37848	6E17	..	70-65	AH106612	3G18	5	40-111	AH112285	5D22	6	60-43
AE38021	6E10	37	70-57	AH106618	8D22	2	110-45	AH112402	4D19	2	50-40
AE38448	9D18	21	121-41	AH106625	6G19	5	70-117	AH112402	4D20	2	50-41
AE38734	6E10	16	70-57	AH106626	6G19	24	70-117	AH112435	10E8	3	130-55
AE41319	6E3	11	70-48	AH106695	6E3	2	70-48	AH112703	7H8	16	90-79
AE42998	10C23	6	130-21	AH106933	4C10	8	50-5	AH112865	10E2	10	130-49
AE44392	3D23	15	40-43	AH106933	4C12	17	50-7	AH112883	9D10	16	121-33
AE44392	3D23	23	40-43	AH106982	2G4	21	32-3	AH113139	9D14	11	121-37
AE44392	3E2	13	40-47	AH108080	6C7	2	70-3	AH113292	3E10	22	40-55
AE44929	3G18	13	40-111	AH108161	8D20	17	110-43	AH113292	3E15	1	40-60
AE44930	3D19	7	40-39	AH108299	7E18	11	90-15	AH113301	7G5	13	90-51
AE44930	3D19	11	40-39	AH108299	10D8	29	130-31	AH113392	10E2	10	130-49
AE44930	3D19	12	40-39	AH108380	3C10	17	40-5	AH113671	6G15	22	70-113
AE44930	3E20	21	40-65	AH108380	3C12	15	40-7	AH113671	6G15	49	70-113
AE44931	3D19	9	40-39	AH108380	6C7	10	70-3	AH114109	2G4	18	32-3
AE44931	3G18	12	40-111	AH108380	7F14	15	90-35	AH114359	8J6	14	120-85
AE46606	8E9	17	110-57	AH108388	7F20	8	90-41	AH114877	7E24	29	90-21
AE46699	8F2	26	110-75	AH108389	7F20	7	90-41	AH114882	8H4	4	120-35
AE49003	6E14	15	70-61	AH108414	3F20	14	40-89	AH114978	4C8	2A	50-3
AE49003	6E14	17	70-61	AH108414	3F20	15	40-89	AH115281	4C8	1	50-3
AE49003	6E15	15	70-62	AH108693	9D18	14	121-41	AH115347	1B23	1	20-1
AE49003	6E15	16	70-62	AH108801	9D10	5	121-33	AH115487	4C8	15	50-3
AE49003	6E15	17	70-62	AH108813	9C7	1	121-5	AH115639	1B23	15	20-1
AE49003	6E17	15	70-65	AH108813	9D16	5	121-39	AH115639	1B25	29	20-3
AE49003	6E17	17	70-65	AH108816	5D4	2	60-25	AH115797	3C10	5	40-5
AE49003	6E19	..	70-67	AH108816	7H2	2	90-73	AH115799	3C10	6	40-5

NUMERICAL INDEX - CONTINUED

PART NO.	GRID	KEY	PAGE	PART NO.	GRID	KEY	PAGE	PART NO.	GRID	KEY	PAGE
AH115800	3C10	7	40-5	AH120216	7C22	8	80-25	AH121234	3E12	12	40-57
AH115833	7F11	1	90-32	AH120419	7F11	4	90-32	AH121340	5D4	29	60-25
AH115836	7H8	8	90-79	AH120443	3C12	12	40-7	AH121340	7H2	29	90-73
AH115905	3H4	12	40-121	AH120443	7F14	12	90-35	AH121341	10D12	19	130-35
AH115943	3F22	1	40-91	AH120444	3C12	11	40-7	AH121475	3E20	10	40-65
AH116006	6F10	9	70-83	AH120444	7F14	11	90-35	AH121475	3E22	3	40-67
AH116104	3D21	16	40-41	AH120445	3C12	13	40-7	AH121493	9G2	33	125-17
AH116104	3E2	5	40-47	AH120445	7F14	13	90-35	AH121580	4D6	18	50-27
AH116104	3H7	12	40-125	AH120446	7F11	5	90-32	AH121605	6D8	4	70-29
AH116104	4D10	25	50-31	AH120502	8F22	1	120-3	AH121606	4C10	10	50-5
AH116104	4D12	26	50-33	AH120541	7E20	6	90-17	AH121613	7E12	6	90-9
AH116105	3E10	1	40-55	AH120546	7H8	10	90-79	AH121643	6C13	6	70-9
AH116105	3E12	24	40-57	AH120547	7H8	19	90-79	AH121657	9D2	24A	121-25
AH116105	6E3	7	70-48	AH120570	3C12	5	40-7	AH121658	9D2	13	121-25
AH116105	6G8	9	70-105	AH120570	7F14	5	90-35	AH121922	4D15	1	50-36
AH116110	3D2	6	40-21	AH120637	5C14	2	60-11	AH121923	4D15	1	50-36
AH116110	3D4	5	40-23	AH120637	5C16	1	60-13	AH121997	8H7	1	120-38
AH116110	7H12	8	90-83	AH120637	5C18	32	60-15	AH122018	9C17	9	121-15
AH116123	2G4	3	32-3	AH120645	7C22	11	80-25	AH122080	8H24	4	120-55
AH116232	8E13	21	110-61	AH120736	4D16	7	50-37	AH122080	8I8	5	120-63
AH116313	7G3	1	90-49	AH120736	4D18	7	50-39	AH122080	8I12	7	120-67
AH116390	10E17	4	130-64	AH120737	9C11	15	121-9	AH122080	8I16	5	120-71
AH116632	6D4	18	70-25	AH120738	9C9	10	121-7	AH122099	7F6	18	90-27
AH116902	3C18	4	40-13	AH120815	1C5	5	20-9	AH122099	7F8	5	90-29
AH116902	3C18	7	40-13	AH120817	1C5	14	20-9	AH122100	5E9	4	60-57
AH116902	4C8	17A	50-3	AH120836	1C16	1	20-21	AH122139	3F22	5	40-91
AH116902	5D4	40	60-25	AH120836	6F22	..	70-95	AH122244	7C14	10	80-17
AH116902	7H2	40	90-73	AH120836	6G4	1	70-101	AH122244	7C18	10	80-21
AH117016	3E22	20	40-67	AH120836	6G4	4	70-101	AH122250	4C10	11	50-5
AH117017	3E22	20	40-67	AH120836	7H14	6	90-85	AH122262	10D12	4	130-35
AH117018	3E22	20	40-67	AH120854	1C16	9	20-21	AH122264	10D12	21	130-35
AH117067	7G17	1	90-63	AH120854	6G4	1	70-101	AH122265	10D12	5	130-35
AH117265	9G10	1	125-25	AH120872	5D14	16	60-35	AH122311	3F2	4	40-71
AH117277	10C5	28	130-3	AH120872	5D16	16	60-37	AH122352	4C8	16	50-3
AH117280	10C5	18	130-3	AH120876	5D14	17	60-35	AH122352	4C10	1	50-5
AH117281	10C5	18	130-3	AH120876	5D16	17	60-37	AH122444	7H8	13	90-79
AH117301	3C20	36	40-15	AH120887	7E12	1	90-9	AH122451	9D16	14	121-39
AH117301	3D21	5	40-41	AH120888	7E12	8	90-9	AH122495	8E2	10	110-49
AH117301	3E20	19	40-65	AH120889	7E12	2A	90-9	AH122506	10C5	26	130-3
AH117301	7C16	28	80-19	AH120890	7E12	7	90-9	AH122507	10D6	8	130-29
AH117301	7H12	10	90-83	AH120891	7E12	5	90-9	AH122575	4C25	8	50-20
AH117301	9C13	20	121-11	AH120892	7E8	9	90-5	AH122616	7D24	9	80-51
AH117418	4G18	15	50-115	AH120900	3F14	10	40-83	AH122619	7D24	18	80-51
AH117418	4G20	11	50-117	AH120907	9D18	10	121-41	AH122648	7G3	8	90-49
AH117566	5D17	5	60-38	AH120918	8H6	12	120-37	AH122685	9D4	29	121-27
AH117643	9C7	6	121-5	AH120918	9E6	3	121-53	AH122685	9D8	2	121-31
AH117662	5E9	4	60-57	AH120918	10F8	3	170-5	AH122717	10E6	2	130-53
AH117782	1C10	3	20-14	AH120972	8E4	14	110-51	AH122717	10E8	2B	130-55
AH117788	3F2	2	40-71	AH120972	8F4	1	110-77	AH122717	10E8	7	130-55
AH117789	3F2	17	40-71	AH120978	9C5	5	121-3	AH122863	9D24	16	121-47
AH117790	3F2	13	40-71	AH120993	10D12	7	130-35	AH122863	9E4	36	121-51
AH117791	3F2	14	40-71	AH121007	9D16	27	121-39	AH122867	7H12	4	90-83
AH117811	7D6	10	80-33	AH121007	9I18	3	125-81	AH122874	10D24	6	130-47
AH118251	10C5	18	130-3	AH121009	8G12	10	120-17	AH122875	10D24	6	130-47
AH118337	4F19	11	50-91	AH121009	8G21	9	120-27	AH122918	9G2	5	125-17
AH118337	4F23	11	50-95	AH121009	8H6	21	120-37	AH122918	9G12	1	125-27
AH118337	4G4	10	50-101	AH121009	9D6	10	121-29	AH122977	10G6	..	170-27
AH118337	4G6	10	50-103	AH121009	9I18	5	125-81	AH122977	10G9	..	170-30
AH118337	6E2	1	70-47	AH121009	9I20	1	125-83	AH122977	10G11	..	170-33
AH118796	3D2	1	40-21	AH121009	9I20	5	125-83	AH123012	9G2	21	125-17
AH118796	3D9	1	40-28	AH121046	9I16	19	125-79	AH123014	3C14	4	40-9
AH118993	10E16	8	130-63	AH121047	9I2	31	125-65	AH123015	3C14	4	40-9
AH119669	8C23	5	110-21	AH121149	4F3	16	50-74	AH123016	3C14	4	40-9
AH119770	9F2	18	121-73	AH121150	4F3	15	50-74	AH123017	3C14	4	40-9
AH119770	9F25	9	125-15	AH121150	4F3	16	50-74	AH123025	3D21	14	40-41
AH120160	6F10	7	70-83	AH121190	3C20	8	40-15	AH123025	5C12	10	60-9
AH120210	8E19	31	110-67	AH121199	3C20	7	40-15	AH123436	10E6	6	130-53

NUMERICAL INDEX - CONTINUED

PART NO.	GRID	KEY	PAGE	PART NO.	GRID	KEY	PAGE	PART NO.	GRID	KEY	PAGE
AH123436	10E8	11	130 - 55	AH125070	10E12	15	130 - 59	AH125644	10D6	6	130 - 29
AH123437	10E6	6	130 - 53	AH125070	10E12	16	130 - 59	AH125645	10E12	5	130 - 59
AH123602	10D22	11	130 - 45	AH125080	10D14	21	130 - 37	AH125646	10E12	6	130 - 59
AH123792	1C1	11	20 - 4	AH125193	9D4	37	121 - 27	AH125653	9D24	20	121 - 47
AH123900	3D11	1	40 - 31	AH125193	9D4	39	121 - 27	AH125653	9E2	6	121 - 49
AH123901	3D11	3	40 - 31	AH125193	9D4	40	121 - 27	AH125654	5E2	5	60 - 49
AH123902	3D11	2	40 - 31	AH125196	8E9	19	110 - 57	AH125655	5E2	6	60 - 49
AH123903	3D11	30	40 - 31	AH125200	5D20	10	60 - 41	AH125658	5D17	22	60 - 38
AH123904	3D11	35	40 - 31	AH125200	8I14	8	120 - 69	AH125672	3E8	10	40 - 53
AH123905	3D11	24	40 - 31	AH125200	8I18	6	120 - 73	AH125673	1C5	6	20 - 9
AH123907	3D11	21	40 - 31	AH125200	8I20	3	120 - 75	AH125684	7C20	3	80 - 23
AH123908	3D11	17	40 - 31	AH125201	8I14	13	120 - 69	AH125685	7C20	11	80 - 23
AH123909	3D11	28	40 - 31	AH125207	9C5	12	121 - 3	AH125686	7C6	5	80 - 9
AH123910	3D11	27	40 - 31	AH125207	9C5	..	121 - 3	AH125688	9C17	7	121 - 15
AH123911	3D11	29	40 - 31	AH125207	9C7	..	121 - 5	AH125692	8H18	5	120 - 49
AH123912	10D18	4	130 - 41	AH125207	9C13	3	121 - 11	AH125692	8H18	7	120 - 49
AH123913	9C15	18	121 - 13	AH125207	9C15	..	121 - 13	AH125716	4G8	17	50 - 105
AH123921	7D12	4	80 - 39	AH125208	1C1	1	20 - 4	AH125716	4G10	12	50 - 107
AH123931	3D13	3	40 - 33	AH125226	5D22	5	60 - 43	AH125733	6C21	2	70 - 17
AH123932	3D13	23	40 - 33	AH125228	4D6	16	50 - 27	AH125744	3E2	2	40 - 47
AH123933	3D13	26	40 - 33	AH125233	4D19	6	50 - 40	AH125744	3E8	24	40 - 53
AH123934	3D13	8	40 - 33	AH125233	4D20	6	50 - 41	AH125760	4E7	22	50 - 52
AH124006	4G8	23	50 - 105	AH125240	3C20	33	40 - 15	AH125760	4E8	22	50 - 53
AH124006	4G10	13	50 - 107	AH125243	9C19	17	121 - 17	AH125760	4E12	22	50 - 57
AH124008	4F19	9	50 - 91	AH125243	9C19	19	121 - 17	AH125760	6C11	18	70 - 7
AH124008	4F23	9	50 - 95	AH125243	9C19	..	121 - 17	AH125760	6E23	2	70 - 71
AH124008	4G4	8	50 - 101	AH125243	9C21	9	121 - 19	AH125760	6F2	2	70 - 75
AH124008	4G6	8	50 - 103	AH125243	9C21	17	121 - 19	AH125760	6F4	21	70 - 77
AH124050	9E8	3	121 - 55	AH125243	9C23	..	121 - 21	AH125760	6G8	11	70 - 105
AH124376	9D4	43	121 - 27	AH125243	9C25	..	121 - 23	AH125782	8E2	14	110 - 49
AH124472	8H4	2	120 - 35	AH125260	10D6	4	130 - 29	AH125782	8F8	25	110 - 81
AH124502	10C25	19	130 - 23	AH125286	10D12	13	130 - 35	AH125783	8E2	5	110 - 49
AH124509	10E14	11	130 - 61	AH125293	9C9	4	121 - 7	AH125785	7G17	6	90 - 63
AH124567	3E24	1A	40 - 69	AH125293	9C15	11	121 - 13	AH125787	7C22	17	80 - 25
AH124573	8H4	9	120 - 35	AH125293	9C15	..	121 - 13	AH125788	7C22	16	80 - 25
AH124635	9F17	5	125 - 7	AH125306	7D14	1	80 - 41	AH125814	10D8	41	130 - 31
AH124635	9F19	5	125 - 9	AH125306	10D8	30	130 - 31	AH125820	7D10	10	80 - 37
AH124731	6E8	3	70 - 54	AH125391	8J8	3A	120 - 87	AH125821	7D10	11	80 - 37
AH124731	6E10	3	70 - 57	AH125391	10D10	4	130 - 33	AH125895	9I16	9	125 - 79
AH124731	6E12	3	70 - 59	AH125454	8F6	3	110 - 79	AH125910	6D16	18	70 - 37
AH124731	6E14	3	70 - 61	AH125478	7D16	1	80 - 43	AH125910	10E23	5	160 - 2
AH124731	6E15	3	70 - 62	AH125478	10D8	18	130 - 31	AH125910	10E24	18	160 - 3
AH124731	6E17	3	70 - 65	AH125485	3F22	10	40 - 91	AH125941	4G14	28	50 - 111
AH124731	6E19	3	70 - 67	AH125490	9C9	11	121 - 7	AH125949	10D10	1	130 - 33
AH124731	6E21	3	70 - 69	AH125505	7H8	24	90 - 79	AH125958	4D3	17	50 - 23
AH124731	6E23	18	70 - 71	AH125514	8C11	7	110 - 9	AH125958	7F16	17	90 - 37
AH124731	6F2	18	70 - 75	AH125533	7D6	13	80 - 33	AH125963	7E16	8	90 - 13
AH124826	9D22	2	121 - 45	AH125534	7D6	12	80 - 33	AH125966	8I18	9A	120 - 73
AH124828	9D22	16	121 - 45	AH125541	7F20	9	90 - 41	AH125966	8I20	2A	120 - 75
AH124832	6D4	21	70 - 25	AH125554	10C7	5	130 - 5	AH125967	8I6	2A	120 - 61
AH124833	2G6	15	32 - 5	AH125556	10E17	6	130 - 64	AH125969	8I14	10	120 - 69
AH124852	10D16	2	130 - 39	AH125558	10C7	9	130 - 5	AH125969	8I20	12	120 - 75
AH124857	7G17	13	90 - 63	AH125563	9D4	10	121 - 27	AH125970	8I14	10	120 - 69
AH124878	10D16	3	130 - 39	AH125574	7C6	22A	80 - 9	AH125970	8I20	12	120 - 75
AH124881	7E20	13	90 - 17	AH125575	7C6	19	80 - 9	AH125971	8I14	6A	120 - 69
AH124882	7E20	11	90 - 17	AH125584	7D6	6	80 - 33	AH125971	8I18	8A	120 - 73
AH124932	3D17	1	40 - 37	AH125585	7D6	6	80 - 33	AH125973	5D20	11A	60 - 41
AH124937	9D2	16	121 - 25	AH125587	4C20	1	50 - 15	AH125975	8I6	14	120 - 61
AH124940	4C8	5	50 - 3	AH125588	4C20	1	50 - 15	AH125975	8I14	17	120 - 69
AH124945	2G4	19	32 - 3	AH125589	4C20	1	50 - 15	AH125976	8I14	15A	120 - 69
AH124945	7C22	6	80 - 25	AH125601	10C9	5	130 - 7	AH125999	9F13	7	125 - 3
AH125010	3D19	14	40 - 39	AH125627	3C10	1	40 - 5	AH126007	9I14	34	125 - 77
AH125010	4D3	11	50 - 23	AH125640	7D22	2	80 - 49	AH126007	9I16	18	125 - 79
AH125010	7F16	11	90 - 37	AH125641	7D22	1	80 - 49	AH126008	9I14	33	125 - 77
AH125036	3E4	9	40 - 49	AH125642	7D22	3	80 - 49	AH126013	7C6	1	80 - 9
AH125036	3E10	23	40 - 55	AH125643	7E10	4	90 - 7	AH126015	7C6	2	80 - 9
AH125068	10E10	22	130 - 57	AH125644	7D22	17	80 - 49	AH126016	7C6	3	80 - 9

NUMERICAL INDEX - CONTINUED

PART NO.	GRID	KEY	PAGE	PART NO.	GRID	KEY	PAGE	PART NO.	GRID	KEY	PAGE
AH126034	7H12	22	90 - 83	AH126808	5E3	2	60 - 50	AH128075	10E16	37	130 - 63
AH126034	7H14	20	90 - 85	AH126808	5E4	2	60 - 51	AH128239	8C25	9	110 - 23
AH126036	7H12	21	90 - 83	AH126811	3C20	5	40 - 15	AH128250	9F15	12	125 - 5
AH126036	7H14	4	90 - 85	AH126831	3C6	3	40 - 1	AH128257	1C16	2	20 - 21
AH126044	7H14	2	90 - 85	AH126834	7E8	8	90 - 5	AH128257	1C16	4	20 - 21
AH126052	10C25	14A	130 - 23	AH126837	10E12	19	130 - 59	AH128257	2G20	5	32 - 19
AH126091	8E19	11	110 - 67	AH126837	10F7	2	170 - 4	AH128258	1C16	2	20 - 21
AH126091	8E21	11	110 - 69	AH126838	7D6	5	80 - 33	AH128258	2G20	5	32 - 19
AH126094	9E4	35	121 - 51	AH126839	7D6	5	80 - 33	AH128267	4D4	10	50 - 24
AH126097	8I6	7A	120 - 61	AH126865	9I12	13	125 - 75	AH128307	8H18	16	120 - 49
AH126119	8H8	3	120 - 39	AH126880	8G23	9	120 - 29	AH128313	8H16	31	120 - 47
AH126122	6D24	17	70 - 45	AH127275	7D16	6	80 - 43	AH128327	3C13	3	40 - 8
AH126169	4H7	7	50 - 128	AH127383	7F18	14	90 - 39	AH128328	3C13	3	40 - 8
AH126169	9H12	3	125 - 51	AH127383	8D24	14	110 - 47	AH128328	3F12	6	40 - 81
AH126181	7D18	1A	80 - 45	AH127390	7G17	8	90 - 63	AH128349	7E6	10	90 - 3
AH126188	9E4	24	121 - 51	AH127396	10C7	9	130 - 5	AH128356	4D3	19	50 - 23
AH126191	8H10	2	120 - 41	AH127426	8I8	11	120 - 63	AH128357	4D3	19	50 - 23
AH126192	4F15	14	50 - 87	AH127435	8I12	10	120 - 67	AH128357	7F16	19	90 - 37
AH126192	4F15	16	50 - 87	AH127465	8H24	9	120 - 55	AH128359	9F17	5	125 - 7
AH126194	4F15	12	50 - 87	AH127465	8I8	10	120 - 63	AH128359	9F19	5	125 - 9
AH126195	4F15	11	50 - 87	AH127465	8I10	12	120 - 65	AH128360	8H6	7	120 - 37
AH126206	9I2	8	125 - 65	AH127469	8I12	1	120 - 67	AH128361	8H6	9	120 - 37
AH126214	8H18	3	120 - 49	AH127477	8I8	2	120 - 63	AH128383	9E10	5	121 - 57
AH126221	9G2	9	125 - 17	AH127477	8I16	2	120 - 71	AH128384	9E10	1	121 - 57
AH126239	9I2	32	125 - 65	AH127496	9E8	4	121 - 55	AH128384	9E12	1	121 - 59
AH126240	6E5	18	70 - 51	AH127572	3C12	9	40 - 7	AH128384	9E14	1	121 - 61
AH126242	4G8	31	50 - 105	AH127572	7F14	9	90 - 35	AH128385	9E10	5	121 - 57
AH126242	6E5	21	70 - 51	AH127599	5D24	1	60 - 45	AH128385	9E12	5	121 - 59
AH126254	5D2	4	60 - 23	AH127599	5D25	1	60 - 46	AH128391	4D22	5	50 - 43
AH126265	7E16	..	90 - 13	AH127602	9F2	37	121 - 73	AH128391	4D24	5	50 - 45
AH126265	7E18	1	90 - 15	AH127604	10E17	14	130 - 64	AH128397	3F22	11	40 - 91
AH126272	3E8	3	40 - 53	AH127611	8G12	26	120 - 17	AH128401	3C22	3	40 - 17
AH126275	10D8	35	130 - 31	AH127662	7F22	8	90 - 43	AH128401	3D19	16	40 - 39
AH126276	9C17	18	121 - 15	AH127674	7E8	2	90 - 5	AH128402	3D2	2	40 - 21
AH126279	10D8	6	130 - 31	AH127677	3F22	6	40 - 91	AH128405	3E20	20	40 - 65
AH126280	10D20	1	130 - 43	AH127684	7H12	6	90 - 83	AH128406	3D19	17	40 - 39
AH126281	10D20	4	130 - 43	AH127685	7H12	7	90 - 83	AH128406	3D21	4	40 - 41
AH126282	10D20	10	130 - 43	AH127704	7D16	8	80 - 43	AH128406	3D23	1	40 - 43
AH126283	10D20	6	130 - 43	AH127716	7D14	9	80 - 41	AH128406	3D25	11	40 - 45
AH126284	10D20	11	130 - 43	AH127718	3C13	2	40 - 8	AH128406	10F2	3	160 - 5
AH126295	8G10	4A	120 - 15	AH127718	3F12	4	40 - 81	AH128413	3F13	7	40 - 82
AH126352	7D24	21	80 - 51	AH127726	8H18	2	120 - 49	AH128414	3F13	1	40 - 82
AH126354	10C11	6	130 - 9	AH127829	8G25	15	120 - 31	AH128415	3C8	1	40 - 3
AH126358	3C8	6	40 - 3	AH127837	7C20	13	80 - 23	AH128415	3D17	14	40 - 37
AH126388	9I2	18	125 - 65	AH127866	10E16	45	130 - 63	AH128418	3D25	1	40 - 45
AH126389	6C25	9	70 - 21	AH127866	10F8	4	170 - 5	AH128418	3E2	1	40 - 47
AH126402	4C10	2	50 - 5	AH127871	8H24	13	120 - 55	AH128419	3C18	1	40 - 13
AH126417	8C13	6	110 - 11	AH127881	4F15	13	50 - 87	AH128422	3E8	15	40 - 53
AH126417	8E9	6	110 - 57	AH127881	4F17	15	50 - 89	AH128426	3E10	24	40 - 55
AH126417	8E11	6	110 - 59	AH127881	4F19	12	50 - 91	AH128426	3E14	32	40 - 59
AH126538	9D20	3	121 - 43	AH127881	4F21	13	50 - 93	AH128447	6D14	2A	70 - 35
AH126541	3E22	7	40 - 67	AH127881	4F23	12	50 - 95	AH128447	8C5	4A	110 - 3
AH126555	3E8	2	40 - 53	AH127881	4F25	15	50 - 97	AH128448	6G6	13	70 - 103
AH126564	7D20	11	80 - 47	AH127887	6C12	1	70 - 8	AH128449	4E7	24	50 - 52
AH126619	10D6	14	130 - 29	AH127887	6C12	..	70 - 8	AH128449	4E8	24	50 - 53
AH126620	7D24	24	80 - 51	AH127887	9G20	14	125 - 35	AH128449	6C21	1	70 - 17
AH126657	5D8	14	60 - 29	AH127892	6E7	3	70 - 53	AH128449	6G6	11	70 - 103
AH126657	5D10	10	60 - 31	AH127974	7I2	15	90 - 99	AH128449	6G6	13	70 - 103
AH126657	6C9	6	70 - 5	AH127986	8G15	23	120 - 21	AH128450	6G6	10	70 - 103
AH126657	6C23	14	70 - 19	AH128014	7D20	8	80 - 47	AH128451	6G6	5	70 - 103
AH126657	6D2	8	70 - 23	AH128015	3C12	7	40 - 7	AH128452	7F18	12	90 - 39
AH126657	6D4	5	70 - 25	AH128015	7F14	7	90 - 35	AH128452	8D24	12	110 - 47
AH126657	6D6	16	70 - 27	AH128037	10D8	9	130 - 31	AH128458	8I2	4	120 - 57
AH126677	9I2	13	125 - 65	AH128038	10D18	15	130 - 41	AH128461	8I18	1	120 - 73
AH126705	10E12	16	130 - 59	AH128045	4C17	1	50 - 12	AH128464	8I14	2	120 - 69
AH126719	8G12	13	120 - 17	AH128073	8C25	1	110 - 23	AH128467	5D20	8A	60 - 41
AH126720	8G12	12	120 - 17	AH128074	10E16	37	130 - 63	AH128528	4D6	1	50 - 27

NUMERICAL INDEX - CONTINUED

PART NO.	GRID	KEY	PAGE	PART NO.	GRID	KEY	PAGE	PART NO.	GRID	KEY	PAGE
AH128530	8I22	8	120 - 77	AH128777	6F24	18	70 - 97	AH129195	7C16	5	80 - 19
AH128554	10D6	27	130 - 29	AH128778	6F22	17	70 - 95	AH129196	7C12	13	80 - 15
AH128584	6C25	4	70 - 21	AH128778	6F24	11	70 - 97	AH129228	7C12	17	80 - 15
AH128585	7E14	13	90 - 11	AH128779	6F22	18	70 - 95	AH129228	7C16	17	80 - 19
AH128596	7D14	7	80 - 41	AH128779	6F24	12	70 - 97	AH129233	6D2	26	70 - 23
AH128597	7D16	12	80 - 43	AH128779	6G2	12	70 - 99	AH129236	5D6	39	60 - 27
AH128598	7D16	10	80 - 43	AH128780	6F22	22	70 - 95	AH129236	7H4	39	90 - 75
AH128598	7D20	17	80 - 47	AH128780	6F24	17	70 - 97	AH129244	6E5	4	70 - 51
AH128610	7E24	23	90 - 21	AH128780	6G2	11	70 - 99	AH129245	6F12	..	70 - 85
AH128610	7F2	15	90 - 23	AH128785	5C12	25	40 - 57	AH129245	6F18	11	70 - 91
AH128618	8H18	5	120 - 49	AH128785	6G8	..	70 - 105	AH129255	5D4	18	60 - 25
AH128618	8H18	7	120 - 49	AH128840	5C20	30	60 - 17	AH129255	7H2	18	90 - 73
AH128633	2G4	23	32 - 3	AH128841	5C20	30	60 - 17	AH129272	8H4	13	120 - 35
AH128639	6E7	10	70 - 53	AH128842	5C16	22	60 - 13	AH129278	4E5	3	50 - 50
AH128640	6E7	8	70 - 53	AH128842	5C20	30	60 - 17	AH129280	4E14	15	50 - 59
AH128641	6F8	1	70 - 81	AH128843	5C16	23	60 - 13	AH129284	4E10	8	50 - 55
AH128642	6F8	12	70 - 81	AH128843	5C20	30	60 - 17	AH129318	6D14	7	70 - 35
AH128649	8E4	24	110 - 51	AH128849	3G12	2	40 - 105	AH129321	6D14	3	70 - 35
AH128654	4F5	14	50 - 76	AH128851	6D24	8	70 - 45	AH129321	6D14	4	70 - 35
AH128654	5C4	14	60 - 1	AH128853	6E7	5	70 - 53	AH129321	6D14	5	70 - 35
AH128654	6G9	14	70 - 106	AH128854	6F8	17	70 - 81	AH129321	6D14	6	70 - 35
AH128655	3E12	22	40 - 57	AH128855	6F8	16	70 - 81	AH129321	6D14	..	70 - 35
AH128655	4F5	6	50 - 76	AH128859	6C25	22	70 - 21	AH129321	6D15	5	70 - 36
AH128655	4F5	9	50 - 76	AH128860	10E17	7	130 - 64	AH129323	6C11	6	70 - 7
AH128655	4F5	12	50 - 76	AH128861	10E16	23	130 - 63	AH129355	10C7	5	130 - 5
AH128655	4F5	16	50 - 76	AH128864	5D24	13	60 - 45	AH129357	10C7	9	130 - 5
AH128655	5C4	16	60 - 1	AH128865	3G12	13	40 - 105	AH129363	10C9	5	130 - 7
AH128655	6G8	28	70 - 105	AH128889	5C6	22	60 - 3	AH129375	8G23	8	120 - 29
AH128655	6G9	6	70 - 106	AH128894	5C10	5	60 - 7	AH129407	2G8	11A	32 - 7
AH128655	6G9	9	70 - 106	AH128894	6G11	5	70 - 109	AH129409	2G8	17	32 - 7
AH128655	6G9	12	70 - 106	AH128894	6G13	5	70 - 111	AH129415	6F22	13	70 - 95
AH128655	6G9	16	70 - 106	AH128903	9E18	5	121 - 65	AH129420	9E4	4	121 - 51
AH128663	9I14	20	125 - 77	AH128904	3C20	9	40 - 15	AH129420	9E8	11	121 - 55
AH128664	9I10	2	125 - 73	AH128906	3E20	18	40 - 65	AH129451	7C3	3	80 - 6
AH128664	9I14	24	125 - 77	AH128906	10D22	3A	130 - 45	AH129451	8H12	20	120 - 43
AH128665	1C1	18	20 - 4	AH128909	8I20	13	120 - 75	AH129451	9E4	44	121 - 51
AH128672	4F3	1	50 - 74	AH128914	7D10	17	80 - 37	AH129452	7C3	1	80 - 6
AH128672	4F4	1	50 - 75	AH128924	10F2	12	160 - 5	AH129452	8H12	22	120 - 43
AH128673	7C24	15	80 - 27	AH128925	3D2	3	40 - 21	AH129452	9E4	46	121 - 51
AH128674	9F2	36	121 - 73	AH128925	3D4	17	40 - 23	AH130082	2G20	2	32 - 19
AH128675	9E22	16A	121 - 69	AH128925	3D8	2	40 - 27	AH130083	2G20	9	32 - 19
AH128682	10D24	6	130 - 47	AH128925	7H10	6	90 - 81	AH130094	7C24	3	80 - 27
AH128682	10E2	10	130 - 49	AH128926	3D2	8	40 - 21	AH130100	2G14	11	32 - 13
AH128692	4H7	1	50 - 128	AH128926	3D4	7	40 - 23	AH130100	2G16	9	32 - 15
AH128696	7D6	1A	80 - 33	AH128926	7H10	2	90 - 81	AH130102	3F22	12	40 - 91
AH128723	5C20	29	60 - 17	AH128927	3E12	23	40 - 57	AH130105	8E19	1	110 - 67
AH128727	10E23	1	160 - 2	AH128927	6G8	15	70 - 105	AH130113	6D8	13	70 - 29
AH128732	10C5	12	130 - 3	AH128929	3D23	18	40 - 43	AH130119	5D14	9	60 - 35
AH128735	8I22	1	120 - 77	AH128929	5C10	16	60 - 7	AH130123	8H10	3	120 - 41
AH128737	4G4	11	50 - 101	AH128929	6G11	11	70 - 109	AH130126	5C24	32	60 - 21
AH128738	4G4	1	50 - 101	AH128929	6G13	11	70 - 111	AH130126	5D6	27	60 - 27
AH128739	4G4	11	50 - 101	AH128976	2G18	3	32 - 17	AH130126	7H4	27	90 - 75
AH128742	6E5	12	70 - 51	AH128977	2G18	3	32 - 17	AH130127	2G6	7	32 - 5
AH128744	5D2	9	60 - 23	AH128986	3E22	22	40 - 67	AH130129	3C10	3	40 - 5
AH128753	6D8	21	70 - 29	AH128990	5C4	18	60 - 1	AH130132	7D24	23	80 - 51
AH128753	6D10	24	70 - 31	AH128990	5C10	14	60 - 7	AH130136	9I14	4	125 - 77
AH128757	4G18	21	50 - 115	AH128992	6F24	3	70 - 97	AH130151	8H24	13	120 - 55
AH128757	4G20	16	50 - 117	AH128993	4G10	3	50 - 107	AH130154	8H24	13	120 - 55
AH128761	4G18	19	50 - 115	AH128997	4F7	4	50 - 79	AH130160	8I16	11	120 - 71
AH128762	4G20	14	50 - 117	AH129045	3D23	8	40 - 43	AH130166	8I16	10	120 - 71
AH128769	4G8	12	50 - 105	AH129056	2G4	15	32 - 3	AH130167	8I16	1	120 - 71
AH128771	4G8	13	50 - 105	AH129056	2G8	6	32 - 7	AH130168	6E3	6	70 - 48
AH128773	6F22	3	70 - 95	AH129058	2G8	8	32 - 7	AH130172	7C12	22	80 - 15
AH128774	6F22	4	70 - 95	AH129066	10D24	6	130 - 47	AH130175	8D20	31	110 - 43
AH128775	4G8	3	50 - 105	AH129066	10E2	10	130 - 49	AH130175	8F8	18	110 - 81
AH128776	4G8	4	50 - 105	AH129194	7C12	15	80 - 15	AH130176	8C5	3	110 - 3
AH128777	6F22	23	70 - 95	AH129195	7C12	5	80 - 15	AH130177	7C14	19	80 - 17

1J16

9500 AND SIDEHILL 9500 MAXIMIZER™ COMBINES

NUMERICAL INDEX - CONTINUED

PART NO.	GRID	KEY	PAGE	PART NO.	GRID	KEY	PAGE	PART NO.	GRID	KEY	PAGE
AH130180	6C11	25	70 - 7	AH130517	5D23	1	60 - 44	AH130949	5C4	12	60 - 1
AH130180	9H10	12	125 - 49	AH130529	2G4	27	32 - 3	AH130949	5C4	15	60 - 1
AH130180	9H14	26	125 - 53	AH130543	3C20	26	40 - 15	AH130949	6G9	6	70 - 106
AH130185	8H24	9	120 - 55	AH130545	8C5	2	110 - 3	AH130949	6G9	9	70 - 106
AH130186	8H24	3	120 - 55	AH130548	7C8	3	80 - 11	AH130949	6G9	12	70 - 106
AH130186	8I8	1	120 - 63	AH130548	7C8	6	80 - 11	AH130949	6G9	15	70 - 106
AH130189	8I12	4	120 - 67	AH130560	6D4	14	70 - 25	AH130950	4F3	15	50 - 74
AH130193	7C22	15	80 - 25	AH130561	6D4	2	70 - 25	AH130951	7C12	10	80 - 15
AH130197	7D10	18	80 - 37	AH130562	6D2	28	70 - 23	AH130954	7C10	1	80 - 13
AH130198	10D8	31	130 - 31	AH130563	6C23	8	70 - 19	AH130957	3D2	7	40 - 21
AH130202	8G2	13	120 - 7	AH130564	6C23	4	70 - 19	AH130957	7H12	1	90 - 83
AH130202	8G4	14	120 - 9	AH130565	8E4	6	110 - 51	AH130957	7I2	18	90 - 99
AH130202	8G6	14	120 - 11	AH130565	8E6	22	110 - 53	AH130964	9G16	41	125 - 31
AH130209	6C9	17	70 - 5	AH130567	4G8	25	50 - 105	AH130982	9I16	15	125 - 79
AH130212	5D8	34	60 - 29	AH130567	6E2	10	70 - 47	AH130988	8H16	28	120 - 47
AH130213	6C23	24	70 - 19	AH130568	6E2	8	70 - 47	AH130996	8I12	10	120 - 67
AH130222	3D23	2	40 - 43	AH130570	9I2	28	125 - 65	AH131045	5C21	2	60 - 18
AH130223	3D23	2	40 - 43	AH130570	9I7	9	125 - 70	AH131045	5C21	3	60 - 18
AH130230	2G14	12	32 - 13	AH130571	9I7	3	125 - 70	AH131045	5C21	4	60 - 18
AH130230	2G16	10	32 - 15	AH130572	9I2	24	125 - 65	AH131045	5C21	5	60 - 18
AH130231	8G15	11	120 - 21	AH130581	6F8	5	70 - 81	AH131045	5C21	6	60 - 18
AH130232	8G15	11	120 - 21	AH130582	9D2	4	121 - 25	AH131048	5C21	9	60 - 18
AH130358	8G15	12	120 - 21	AH130586	7F10	14	90 - 31	AH131049	5C21	9	60 - 18
AH130370	10C11	17	130 - 9	AH130592	9F6	10	121 - 77	AH131051	5C20	12	60 - 17
AH130393	7D22	7	80 - 49	AH130592	9F8	14	121 - 79	AH131054	5C20	19	60 - 17
AH130412	5C16	19	60 - 13	AH130594	7E18	6	90 - 15	AH131055	5C20	19	60 - 17
AH130413	5C16	20	60 - 13	AH130595	7E18	13	90 - 15	AH131058	5C20	7	60 - 17
AH130416	5C16	5	60 - 13	AH130602	3E4	7	40 - 49	AH131059	5C20	7	60 - 17
AH130417	5C16	6	60 - 13	AH130602	3E6	12	40 - 51	AH131062	5C20	28	60 - 17
AH130421	3D13	7	40 - 33	AH130603	3E4	1	40 - 49	AH131070	9D12	5	121 - 35
AH130423	1C1	22	20 - 4	AH130603	3E6	7	40 - 51	AH131071	3F14	7	40 - 83
AH130424	8H10	12	120 - 41	AH130605	5C16	16	60 - 13	AH131074	9I7	10	125 - 70
AH130425	8H10	22	120 - 41	AH130610	7I2	13	90 - 99	AH131080	9I8	1	125 - 71
AH130429	5D6	47	60 - 27	AH130610	7I2	14	90 - 99	AH131085	9I14	30	125 - 77
AH130429	7H4	47	90 - 75	AH130611	4G14	7	50 - 111	AH131089	6C12	..	70 - 8
AH130429	7H6	47	90 - 77	AH130611	4G16	7	50 - 113	AH131105	8E19	9	110 - 67
AH130435	5D6	36	60 - 27	AH130612	5C16	17	60 - 13	AH131108	7G17	18	90 - 63
AH130435	7H4	36	90 - 75	AH130613	5C16	18	60 - 13	AH131165	9G16	27	125 - 31
AH130445	4H6	4	50 - 127	AH130627	4C16	3	50 - 11	AH131166	9G16	19	125 - 31
AH130445	5C10	6	60 - 7	AH130629	6E7	7	70 - 53	AH131167	4E7	28	50 - 52
AH130447	4G14	12	50 - 111	AH130865	4G18	20	50 - 115	AH131168	4E10	28	50 - 55
AH130447	4G16	12	50 - 113	AH130870	8E9	20	110 - 57	AH131169	4E2	9	50 - 47
AH130448	6D24	11	70 - 45	AH130871	5E2	12	60 - 49	AH131169	4E12	2	50 - 57
AH130449	4H7	3	50 - 128	AH130871	5E2	19	60 - 49	AH131169	4E13	9	50 - 58
AH130463	7C14	7	80 - 17	AH130884	9I9	3	125 - 72	AH131170	4E7	15	50 - 52
AH130465	8G17	13	120 - 23	AH130886	9I6	21	125 - 69	AH131171	4E2	17	50 - 47
AH130466	5D8	33	60 - 29	AH130890	5D14	8	60 - 35	AH131171	4E12	3	50 - 57
AH130469	5C16	2	60 - 13	AH130892	9I6	17	125 - 69	AH131171	4E12	6	50 - 57
AH130477	8H18	21	120 - 49	AH130893	9I6	17	125 - 69	AH131171	4E12	7	50 - 57
AH130481	7D24	8A	80 - 51	AH130894	8C5	1	110 - 3	AH131171	4E12	8	50 - 57
AH130482	9G4	44	125 - 19	AH130895	6D2	18	70 - 23	AH131171	4E12	10	50 - 57
AH130483	9G2	18	125 - 17	AH130896	6D6	5	70 - 27	AH131171	4E12	11	50 - 57
AH130486	8I8	11	120 - 63	AH130900	4C14	4	50 - 9	AH131171	4E12	13	50 - 57
AH130487	5D12	8	60 - 33	AH130906	8H2	7	120 - 33	AH131171	4E13	10	50 - 58
AH130489	5D12	7	60 - 33	AH130914	7E18	4	90 - 15	AH131172	4E4	29	50 - 49
AH130497	3F20	2	40 - 89	AH130936	6C20	5	70 - 16	AH131172	4E6	10	50 - 51
AH130497	7C12	18	80 - 15	AH130940	8F22	2	120 - 3	AH131173	4E14	16	50 - 59
AH130497	7C16	18	80 - 19	AH130941	7D10	3	80 - 37	AH131173	4E14	19	50 - 59
AH130506	7C14	12	80 - 17	AH130944	7D10	7	80 - 37	AH131174	4E14	15	50 - 59
AH130506	7C18	12	80 - 21	AH130945	7D10	6	80 - 37	AH131176	6F6	..	70 - 79
AH130507	1C7	4	20 - 11	AH130946	7D24	5	80 - 51	AH131176	9H20	11	125 - 59
AH130507	1C8	4	20 - 12	AH130949	4F5	6	50 - 76	AH131178	6F6	17	70 - 79
AH130507	1C9	4	20 - 13	AH130949	4F5	9	50 - 76	AH131180	6F22	12	70 - 95
AH130508	1C7	7	20 - 11	AH130949	4F5	12	50 - 76	AH131181	6F4	..	70 - 77
AH130510	7C8	7	80 - 11	AH130949	4F5	15	50 - 76	AH131183	4H2	7	50 - 123
AH130513	2G14	15	32 - 13	AH130949	5C4	6	60 - 1	AH131183	6F4	26	70 - 77
AH130515	7C10	6	80 - 13	AH130949	5C4	9	60 - 1	AH131197	10C15	6	130 - 13

NUMERICAL INDEX - CONTINUED

PART NO.	GRID	KEY	PAGE	PART NO.	GRID	KEY	PAGE	PART NO.	GRID	KEY	PAGE
AH131206	10C15	10	130 - 13	AH131350	8J6	7A	120 - 85	AH131847	7E22	8	90 - 19
AH131213	8H24	14	120 - 55	AH131371	10C15	6	130 - 13	AH131848	7E22	8	90 - 19
AH131213	8I8	12	120 - 63	AH131378	6D8	7	70 - 29	AH131848	7E24	24	90 - 21
AH131213	8I12	14	120 - 67	AH131381	5D8	30	60 - 29	AH131849	7E22	8	90 - 19
AH131213	8I16	12	120 - 71	AH131382	5D8	29	60 - 29	AH131850	7E22	8	90 - 19
AH131213	9I6	26	125 - 69	AH131391	4E4	3	50 - 49	AH131851	7E22	2	90 - 19
AH131215	8H24	13	120 - 55	AH131391	4E4	5	50 - 49	AH131852	7E22	2	90 - 19
AH131217	8I16	11	120 - 71	AH131391	4E4	11	50 - 49	AH131860	10C23	18	130 - 21
AH131219	8I16	11	120 - 71	AH131391	4E4	..	50 - 49	AH131861	4D6	33	50 - 27
AH131237	10D2	2	130 - 25	AH131391	4E12	33	50 - 57	AH131862	4D8	17	50 - 29
AH131238	10D2	3	130 - 25	AH131391	4E12	34	50 - 57	AH131865	9G4	41	125 - 19
AH131239	10D16	7	130 - 39	AH131391	4E12	35	50 - 57	AH131873	10C23	6	130 - 21
AH131240	10D18	1	130 - 41	AH131391	4E12	..	50 - 57	AH131874	5D12	9	60 - 33
AH131241	10D18	1	130 - 41	AH131404	6E10	38	70 - 57	AH131875	5D12	10	60 - 33
AH131248	9E8	28	121 - 55	AH131404	6E23	12	70 - 71	AH131876	6C25	8	70 - 21
AH131249	9E8	31	121 - 55	AH131405	6E10	34	70 - 57	AH131881	7F6	12	90 - 27
AH131250	6D18	3	70 - 39	AH131405	6E17	25	70 - 65	AH131903	10C15	19	130 - 13
AH131250	6D20	5	70 - 41	AH131405	6E19	25	70 - 67	AH131960	8H6	12	120 - 37
AH131250	6D22	5	70 - 43	AH131405	6E23	8	70 - 71	AH131960	9E6	3	121 - 53
AH131299	5C8	15	60 - 5	AH131405	6F2	8	70 - 75	AH131960	10F8	3	170 - 5
AH131300	4G14	26	50 - 111	AH131419	6E12	22	70 - 59	AH131965	7C8	14	80 - 11
AH131301	7C10	14	80 - 13	AH131419	6E23	11	70 - 71	AH131975	7F11	2	90 - 32
AH131302	5D10	25	60 - 31	AH131420	6E12	..	70 - 59	AH131979	9E8	4	121 - 55
AH131303	6C23	2	70 - 19	AH131421	6E12	..	70 - 59	AH132027	6C7	5	70 - 3
AH131303	6D4	23	70 - 25	AH131424	7E20	1	90 - 17	AH132031	9H12	4	125 - 51
AH131303	8C25	16	110 - 23	AH131460	6E14	18	70 - 61	AH132032	10E6	6	130 - 53
AH131304	6F6	13	70 - 79	AH131460	6E17	18	70 - 65	AH132032	10E8	11	130 - 55
AH131305	4E2	..	50 - 47	AH131461	6E14	24	70 - 61	AH132033	10E6	6	130 - 53
AH131305	4E4	..	50 - 49	AH131461	6E17	24	70 - 65	AH132116	4C14	4	50 - 9
AH131305	4E5	..	50 - 50	AH131461	6E23	10	70 - 71	AH132117	7E16	12	90 - 13
AH131305	4H2	3	50 - 123	AH131508	9E6	15	121 - 53	AH132117	7E16	16	90 - 13
AH131305	4H2	6	50 - 123	AH131510	7D8	6	80 - 35	AH132128	4C14	4	50 - 9
AH131308	4E14	1	50 - 59	AH131535	6D18	26	70 - 39	AH132147	7E24	15	90 - 21
AH131308	4E14	3	50 - 59	AH131535	6D20	30	70 - 41	AH132148	7E18	17	90 - 15
AH131308	4E14	6	50 - 59	AH131535	6D22	22	70 - 43	AH132157	8H20	10	120 - 51
AH131310	4E12	1	50 - 57	AH131541	2G8	19	32 - 7	AH132158	8H20	12	120 - 51
AH131310	4E12	16	50 - 57	AH131545	5D8	19	60 - 29	AH132161	6E8	..	70 - 54
AH131310	4E12	24	50 - 57	AH131546	5D8	18	60 - 29	AH132162	6E8	24	70 - 54
AH131310	4E12	..	50 - 57	AH131550	10C15	12	130 - 13	AH132200	9H14	9	125 - 53
AH131310	4G24	1	50 - 121	AH131559	10D20	1	130 - 43	AH132201	9H14	16	125 - 53
AH131311	6D6	6	70 - 27	AH131570	6D16	15	70 - 37	AH132202	6D20	25	70 - 41
AH131312	6D4	13	70 - 25	AH131570	10E24	12	160 - 3	AH132203	6D18	22	70 - 39
AH131316	5D10	24	60 - 31	AH131570	10E24	13	160 - 3	AH132203	6D20	26	70 - 41
AH131317	6C9	18	70 - 5	AH131570	10E24	15	160 - 3	AH132208	3F22	4	40 - 91
AH131319	8H16	19	120 - 47	AH131571	6D16	10	70 - 37	AH132210	6F12	16	70 - 85
AH131320	3E16	5	40 - 61	AH131571	10E24	3	160 - 3	AH132213	4G21	5	50 - 118
AH131322	6C23	23	70 - 19	AH131571	10E24	4	160 - 3	AH132230	10E6	19	130 - 53
AH131326	6E8	19	70 - 54	AH131571	10E24	5	160 - 3	AH132230	10E8	24	130 - 55
AH131326	6E10	33	70 - 57	AH131571	10E24	7	160 - 3	AH132236	4G21	5	50 - 118
AH131326	6E12	21	70 - 59	AH131571	10E24	10	160 - 3	AH132237	4G21	5	50 - 118
AH131326	6E14	25	70 - 61	AH131572	6D16	9	70 - 37	AH132238	4G21	5	50 - 118
AH131326	6E15	23	70 - 62	AH131572	10E24	9	160 - 3	AH132239	4G21	5	50 - 118
AH131326	6E17	26	70 - 65	AH131575	5C8	10	60 - 5	AH132264	3D2	7	40 - 21
AH131326	6E19	24	70 - 67	AH131576	6D8	18	70 - 29	AH132264	3D4	6	40 - 23
AH131326	6E21	24	70 - 69	AH131576	6D10	20	70 - 31	AH132264	7H12	1	90 - 83
AH131326	6E23	9	70 - 71	AH131578	5C8	7	60 - 5	AH132264	7I2	18	90 - 99
AH131326	6F2	9	70 - 75	AH131699	4D6	..	50 - 27	AH132356	8H14	16	120 - 45
AH131327	6E8	25	70 - 54	AH131741	9I4	7	125 - 67	AH132356	8H20	9	120 - 51
AH131327	6E23	13	70 - 71	AH131747	7E24	28	90 - 21	AH132356	8H22	8	120 - 53
AH131327	6F2	13	70 - 75	AH131808	9I6	25	125 - 69	AH132359	9H4	4	125 - 43
AH131328	6E8	..	70 - 54	AH131829	8D4	1	110 - 27	AH132360	7B24	4	80 - 3
AH131329	10C13	11	130 - 11	AH131830	10C11	15	130 - 9	AH132361	7C2	4	80 - 5
AH131329	10C25	1	130 - 23	AH131842	6F6	3	70 - 79	AH132361	9H4	2	125 - 43
AH131331	8G23	3	120 - 29	AH131842	9H20	3	125 - 59	AH132361	9H6	11	125 - 45
AH131332	6C13	8	70 - 9	AH131843	7F6	1	90 - 27	AH132363	4G21	3	50 - 118
AH131334	6E3	3	70 - 48	AH131844	7E22	2	90 - 19	AH132364	4G21	3	50 - 118
AH131348	8J6	7A	120 - 85	AH131845	7E22	2	90 - 19	AH132367	8G17	15	120 - 23

NUMERICAL INDEX - CONTINUED

PART NO.	GRID	KEY	PAGE	PART NO.	GRID	KEY	PAGE	PART NO.	GRID	KEY	PAGE
AH132372	10C23	24	130 - 21	AH133265	6D20	16	70 - 41	AH134231	3E2	1	40 - 47
AH132372	10C25	21	130 - 23	AH133285	6D18	8	70 - 39	AH134240	3E20	20	40 - 65
AH132759	9H7	4	125 - 46	AH133285	6D18	9	70 - 39	AH134246	3E14	32	40 - 59
AH132783	7F11	2	90 - 32	AH133285	6D18	10	70 - 39	AH134250	3F13	1	40 - 82
AH132785	8I8	11	120 - 63	AH133285	6D18	11	70 - 39	AH134255	3E8	15	40 - 53
AH132787	8I8	10	120 - 63	AH133285	6D18	12	70 - 39	AH134260	3E10	24	40 - 55
AH132788	10C15	19	130 - 13	AH133285	6D18	27	70 - 39	AH134260	3E14	32	40 - 59
AH132803	2G16	14	32 - 15	AH133285	6D20	7	70 - 41	AH134262	3F4	6	40 - 73
AH132806	10C9	10	130 - 7	AH133285	6D20	8	70 - 41	AH134268	3E10	24	40 - 55
AH132809	10C15	17	130 - 13	AH133285	6D20	9	70 - 41	AH134268	3E14	32	40 - 59
AH132814	2G4	1	32 - 3	AH133285	6D20	10	70 - 41	AH134269	3E14	32	40 - 59
AH132819	7E16	13	90 - 13	AH133285	6D20	11	70 - 41	AH134278	3D19	17	40 - 39
AH132823	8J6	10	120 - 85	AH133285	6D20	12	70 - 41	AH134278	3D21	4	40 - 41
AH132827	8H18	19	120 - 49	AH133285	6D20	31	70 - 41	AH134278	3D23	1	40 - 43
AH132830	8E9	20	110 - 57	AH133287	8G17	19	120 - 23	AH134278	3D25	11	40 - 45
AH132832	6C7	4	70 - 3	AH133289	8G17	19	120 - 23	AH134288	3H7	5	40 - 125
AH132839	4G8	24	50 - 105	AH133316	3G20	12	40 - 113	AH134295	3D19	17	40 - 39
AH132840	5C20	24	60 - 17	AH133373	10C5	12	130 - 3	AH134295	3D21	4	40 - 41
AH132852	9G22	3	125 - 37	AH133494	8E19	31	110 - 67	AH134295	3D23	1	40 - 43
AH132855	9I6	27	125 - 69	AH133494	8E21	31	110 - 69	AH134295	3D25	11	40 - 45
AH132859	8H20	7	120 - 51	AH133498	7E22	8	90 - 19	AH134296	3C22	3	40 - 17
AH132860	8H20	1	120 - 51	AH133499	7E22	8	90 - 19	AH134296	3C24	3	40 - 19
AH132885	8G23	1	120 - 29	AH133499	7E24	33	90 - 21	AH134296	3D19	16	40 - 39
AH132988	9H10	2	125 - 49	AH133499	7F2	21	90 - 23	AH134297	3H2	5	40 - 119
AH132991	10C15	3	130 - 13	AH133500	7E22	8	90 - 19	AH134304	5C20	31	60 - 17
AH133014	1C12	6	20 - 17	AH133501	7E22	8	90 - 19	AH134305	5C20	31	60 - 17
AH133088	7E12	..	90 - 9	AH133660	4E2	7	50 - 47	AH134319	9E22	21	121 - 69
AH133088	7I4	17	90 - 101	AH133660	4E2	29	50 - 47	AH134319	9E24	19	121 - 71
AH133091	7B24	11	80 - 3	AH133661	4E12	27	50 - 57	AH134431	8G25	6	120 - 31
AH133091	7B24	12	80 - 3	AH133752	5D2	8	60 - 23	AH134438	9G14	6	125 - 29
AH133091	7B24	29	80 - 3	AH133758	9H14	2	125 - 53	AH134439	9G14	1	125 - 29
AH133091	7C2	11	80 - 5	AH133759	9H12	2	125 - 51	AH134444	9G18	8	125 - 33
AH133091	7C2	12	80 - 5	AH133770	9H12	11	125 - 51	AH134447	3F22	4	40 - 91
AH133109	3E20	2	40 - 65	AH133830	7C6	22A	80 - 9	AH134522	7F12	2	90 - 33
AH133125	5C18	26	60 - 15	AH133844	4C14	4	50 - 9	AH134524	3E4	3	40 - 49
AH133126	5C18	4	60 - 15	AH133896	3E12	14	40 - 57	AH134529	3F2	27	40 - 71
AH133126	5C18	5	60 - 15	AH133941	4G16	32	50 - 113	AH134530	3F2	26	40 - 71
AH133126	5C18	6	60 - 15	AH133942	4G16	33	50 - 113	AH134549	10E16	4	130 - 63
AH133126	5C18	7	60 - 15	AH133948	9H14	22	125 - 53	AH134554	9H20	13	125 - 59
AH133126	5C18	8	60 - 15	AH133948	9H16	1	125 - 55	AH134555	9H14	12	125 - 53
AH133126	5C18	9	60 - 15	AH133948	9H18	1	125 - 57	AH134555	9H20	17	125 - 59
AH133127	5C18	2	60 - 15	AH133949	9H14	18	125 - 53	AH134558	9G22	6	125 - 37
AH133128	5C18	3	60 - 15	AH133949	9H16	2	125 - 55	AH134560	10C7	5	130 - 5
AH133128	5C18	12	60 - 15	AH133949	9H18	2	125 - 57	AH134562	10C7	5	130 - 5
AH133128	5C18	28	60 - 15	AH133950	9H16	9	125 - 55	AH134578	2G14	2	32 - 13
AH133128	5C18	29	60 - 15	AH133961	4G8	13	50 - 105	AH134578	2G14	5	32 - 13
AH133128	5C18	33	60 - 15	AH133961	4G10	8	50 - 107	AH134578	2G16	5	32 - 15
AH133128	5C18	..	60 - 15	AH134121	7D10	21	80 - 37	AH134579	9G22	10	125 - 37
AH133151	6D20	2	70 - 41	AH134121	8C5	27	110 - 3	AH134580	9G22	9	125 - 37
AH133151	6D22	2	70 - 43	AH134121	8C7	14	110 - 5	AH134598	10C23	16	130 - 21
AH133156	8G17	1	120 - 23	AH134121	8C9	27	110 - 7	AH134599	8D22	31	110 - 45
AH133157	8G17	23	120 - 23	AH134144	8G12	17	120 - 17	AH134601	10D10	1	130 - 33
AH133157	8G25	20	120 - 31	AH134145	8G12	17	120 - 17	AH134642	1C3	7	20 - 7
AH133160	5D8	34	60 - 29	AH134205	6C7	9	70 - 3	AH134643	1C3	11	20 - 7
AH133161	5D8	33	60 - 29	AH134207	9D2	6	121 - 25	AH134646	1C3	14	20 - 7
AH133191	8J6	1	120 - 85	AH134224	3D19	17	40 - 39	AH134656	7C24	9	80 - 27
AH133191	9E4	8	121 - 51	AH134224	3D21	4	40 - 41	AH134658	8G12	26	120 - 17
AH133191	9E8	18	121 - 55	AH134224	3D23	1	40 - 43	AH134662	8G21	16	120 - 27
AH133191	9F2	29	121 - 73	AH134224	3D25	11	40 - 45	AH134669	10C11	18	130 - 9
AH133191	9F4	28	121 - 75	AH134224	10F2	3	160 - 5	AH134669	10C11	18A	130 - 9
AH133191	10E10	18	130 - 57	AH134225	3C22	3	40 - 17	AH134679	9H16	22	125 - 55
AH133191	10E12	3	130 - 59	AH134225	3D19	16	40 - 39	AH134680	9H16	21	125 - 55
AH133191	10E16	28	130 - 63	AH134229	3D19	17	40 - 39	AH134705	10C11	9	130 - 9
AH133196	9H16	17	125 - 55	AH134229	3D21	4	40 - 41	AH134706	10C11	9	130 - 9
AH133226	7C10	6	80 - 13	AH134229	3D23	1	40 - 43	AH134724	7F20	1	90 - 41
AH133265	6D18	14	70 - 39	AH134229	3D25	11	40 - 45	AH134728	3E2	21	40 - 47
AH133265	6D18	27	70 - 39	AH134231	3D25	1	40 - 45	AH134728	3F10	3	40 - 79

NUMERICAL INDEX - CONTINUED

PART NO.	GRID	KEY	PAGE	PART NO.	GRID	KEY	PAGE	PART NO.	GRID	KEY	PAGE
AH134729	9E16	4	121 - 63	AH135225	10D12	19	130 - 35	AH135647	8G23	1	120 - 29
AH134730	9E16	5	121 - 63	AH135227	10D12	7	130 - 35	AH135658	9H22	3	125 - 61
AH134733	6E23	7A	70 - 71	AH135229	10D12	13	130 - 35	AH135658	9H24	6	125 - 63
AH134733	6E23	25	70 - 71	AH135240	8G25	6	120 - 31	AH135666	10C9	5	130 - 7
AH134733	6F2	7	70 - 75	AH135241	1C3	2	20 - 7	AH135682	6D4	13	70 - 25
AH134733	6F2	25	70 - 75	AH135254	10F20	..	170 - 17	AH135684	6C23	23	70 - 19
AH134765	10D6	4	130 - 29	AH135254	10F22	..	170 - 19	AH135686	6C23	24	70 - 19
AH134773	8G17	16	120 - 23	AH135254	10F24	..	170 - 21	AH135688	6D2	18	70 - 23
AH134813	5D24	13	60 - 45	AH135254	10G2	..	170 - 23	AH135688	10C9	5	130 - 7
AH134814	5D23	1	60 - 44	AH135254	10G4	..	170 - 25	AH135689	6D6	5	70 - 27
AH134824	8C5	2	110 - 3	AH135254	10G6	..	170 - 27	AH135693	8E15	12	110 - 63
AH134826	8C5	3	110 - 3	AH135254	10G9	..	170 - 30	AH135694	8E15	5	110 - 63
AH134826	8C7	4	110 - 5	AH135254	10G11	..	170 - 33	AH135694	8F10	5	110 - 83
AH134826	8C9	3	110 - 7	AH135290	8C5	23	110 - 3	AH135695	5C12	2	60 - 9
AH134833	6E8	..	70 - 54	AH135290	8C7	19	110 - 5	AH135721	9F13	5	125 - 3
AH134842	2G8	15	32 - 7	AH135290	8C9	23	110 - 7	AH135721	9G4	40	125 - 19
AH134858	10C23	20	130 - 21	AH135290	8H22	10	120 - 53	AH135744	3E12	23	40 - 57
AH134859	9D10	..	121 - 33	AH135292	10D10	1	130 - 33	AH135744	6G8	15	70 - 105
AH134861	4H2	1	50 - 123	AH135295	9D4	10	121 - 27	AH135783	5C16	19	60 - 13
AH134861	9C5	..	121 - 3	AH135298	7C22	17	80 - 25	AH135784	5C16	20	60 - 13
AH134861	9C7	..	121 - 5	AH135299	7C20	3	80 - 23	AH135787	3D19	9	40 - 39
AH134861	9C11	..	121 - 9	AH135300	7D2	7	80 - 29	AH135787	3D19	12	40 - 39
AH134861	9C15	..	121 - 13	AH135315	7E20	1	90 - 17	AH135787	3D19	21	40 - 39
AH134864	8D22	..	110 - 45	AH135323	4D3	4	50 - 23	AH135787	3D23	17	40 - 43
AH134865	9C19	..	121 - 17	AH135323	7F16	4	90 - 37	AH135789	1C1	18	20 - 4
AH134865	9C23	..	121 - 21	AH135342	9E22	3	121 - 69	AH135790	1C1	22	20 - 4
AH134869	9D24	30	121 - 47	AH135342	9E22	16B	121 - 69	AH135807	6G20	7	70 - 118
AH134869	9E2	16	121 - 49	AH135342	9E24	3	121 - 71	AH135807	6G22	3	70 - 121
AH134873	9E8	7	121 - 55	AH135342	9E24	14	121 - 71	AH135808	4C10	2	50 - 5
AH134873	9E8	38	121 - 55	AH135375	7D24	23	80 - 51	AH135821	3G15	3	40 - 108
AH134884	7H8	16	90 - 79	AH135380	8I22	8	120 - 77	AH135830	5D25	13	60 - 46
AH134903	4D1	1	50 - 21	AH135393	9G12	1	125 - 27	AH135833	8F24	3	120 - 5
AH134917	8G15	12	120 - 21	AH135431	10C15	6	130 - 13	AH135834	8F24	1	120 - 5
AH134949	4F15	11	50 - 87	AH135432	10C15	6	130 - 13	AH135835	8F24	7	120 - 5
AH134949	4F15	12	50 - 87	AH135439	10C15	3	130 - 13	AH135837	9G2	33	125 - 17
AH134949	4F15	14	50 - 87	AH135440	10C15	17	130 - 13	AH135837	9G8	1	125 - 23
AH134949	4F15	16	50 - 87	AH135441	10C15	10	130 - 13	AH135844	4C8	16	50 - 3
AH134950	4F15	12	50 - 87	AH135442	10D2	2	130 - 25	AH135844	4C10	1	50 - 5
AH134950	4G4	11	50 - 101	AH135443	10C11	15	130 - 9	AH135845	4C10	10	50 - 5
AH134951	4G4	1	50 - 101	AH135444	10C15	19	130 - 13	AH135888	2G20	2	32 - 19
AH134971	4F15	12	50 - 87	AH135445	10C15	19	130 - 13	AH135888	2G20	9	32 - 19
AH134971	4F21	12	50 - 93	AH135448	6G18	15	70 - 116	AH135893	2G4	26	32 - 3
AH134972	4F15	11	50 - 87	AH135448	6G22	12	70 - 121	AH135893	2G4	27	32 - 3
AH134972	4F21	11	50 - 93	AH135461	9G4	41	125 - 19	AH135910	9H8	4	125 - 47
AH134972	4F25	11	50 - 97	AH135462	9G2	25	125 - 17	AH135929	7C14	7	80 - 17
AH135029	4F7	16	50 - 79	AH135463	10C13	11	130 - 11	AH135929	7C18	7	80 - 21
AH135035	1B23	1	20 - 1	AH135463	10C25	1	130 - 23	AH135951	3C20	7	40 - 15
AH135035	1B25	4	20 - 3	AH135476	7D6	6	80 - 33	AH135962	8C5	1	110 - 3
AH135039	4F15	12	50 - 87	AH135477	7D6	6	80 - 33	AH135963	6G17	13	70 - 115
AH135039	4G4	11	50 - 101	AH135481	7D6	10	80 - 33	AH135996	9F8	3	121 - 79
AH135041	1C3	8	20 - 7	AH135493	6D14	7	70 - 35	AH136002	4D1	1	50 - 21
AH135047	3E8	2	40 - 53	AH135498	9G22	3	125 - 37	AH136006	3C12	7	40 - 7
AH135064	6E3	3	70 - 48	AH135549	9G2	35B	125 - 17	AH136006	7F14	7	90 - 35
AH135077	9D4	10	121 - 27	AH135565	9C17	18	121 - 15	AH136017	9F15	9	125 - 5
AH135110	8C13	9	110 - 11	AH135572	9D24	30	121 - 47	AH136017	9F15	12	125 - 5
AH135124	8D20	31	110 - 43	AH135572	9E2	16	121 - 49	AH136023	10D16	7	130 - 39
AH135155	2G4	25	32 - 3	AH135573	9D24	20	121 - 47	AH136046	7C12	22	80 - 15
AH135170	4G8	24	50 - 105	AH135573	9E2	6	121 - 49	AH136046	7C16	22	80 - 19
AH135170	4G10	14	50 - 107	AH135579	10C25	14B	130 - 23	AH136047	7C14	19	80 - 17
AH135171	4G8	24	50 - 105	AH135606	8D20	30	110 - 43	AH136047	7C18	19	80 - 21
AH135171	4G8	25	50 - 105	AH135607	8E17	10	110 - 65	AH136051	2G14	18	32 - 13
AH135171	4G10	19	50 - 107	AH135611	8F10	10	110 - 83	AH136052	9D2	16	121 - 25
AH135191	2G4	18	32 - 3	AH135613	8F2	12	110 - 75	AH136091	10C19	8	130 - 17
AH135207	9I16	15	125 - 79	AH135614	8E15	5	110 - 63	AH136110	6E5	12	70 - 51
AH135209	10C19	8	130 - 17	AH135620	4G14	26	50 - 111	AH136110	6G24	1	70 - 123
AH135217	5E9	4	60 - 57	AH135620	4G16	23	50 - 113	AH136111	6G24	4	70 - 123
AH135222	10D12	4	130 - 35	AH135633	7D8	6	80 - 35	AH136115	6G24	11	70 - 123

NUMERICAL INDEX - CONTINUED

PART NO.	GRID	KEY	PAGE	PART NO.	GRID	KEY	PAGE	PART NO.	GRID	KEY	PAGE
AH136126	9F2	36	121 - 73	AH136505	7H12	21	90 - 83	AH137604	8E21	1	110 - 69
AH136126	9F4	35	121 - 75	AH136553	10E19	3	130 - 67	AH137614	6H6	24	70 - 129
AH136131	8C7	8B	110 - 5	AH136553	10E21	3	130 - 69	AH137616	6H6	11	70 - 129
AH136146	2G4	20	32 - 3	AH136554	10E19	2	130 - 67	AH137618	6D10	4	70 - 31
AH136146	2G8	11B	32 - 7	AH136554	10E21	2	130 - 69	AH137622	4F11	18	50 - 83
AH136147	2G4	20	32 - 3	AH136557	7E20	13	90 - 17	AH137622	4F13	15	50 - 85
AH136153	10D18	15	130 - 41	AH136558	10D6	4	130 - 29	AH137624	4C18	1	50 - 13
AH136157	4D18	12	50 - 39	AH136570	3C10	3	40 - 5	AH137630	8E19	5	110 - 67
AH136162	7D20	8	80 - 47	AH136572	8I24	3	120 - 79	AH137630	8E21	5	110 - 69
AH136163	7C6	1	80 - 9	AH136572	8I24	4	120 - 79	AH137631	8E19	9	110 - 67
AH136172	1C16	1	20 - 21	AH136572	8I24	5	120 - 79	AH137631	8E21	8	110 - 69
AH136172	6F22	..	70 - 95	AH136572	8I24	13	120 - 79	AH137631	8E21	9	110 - 69
AH136172	6G4	1	70 - 101	AH136605	8G17	19	120 - 23	AH137631	9I7	10	125 - 70
AH136172	6G4	4	70 - 101	AH136616	7C16	6	80 - 19	AH137631	10C9	10	130 - 7
AH136172	7H14	6	90 - 85	AH136635	10C19	8	130 - 17	AH137632	8E19	34	110 - 67
AH136172	7H16	6	90 - 87	AH136638	9G2	21	125 - 17	AH137632	8E21	33	110 - 69
AH136202	6C11	25	70 - 7	AH136873	8D20	30	110 - 43	AH137641	2G20	2	32 - 19
AH136202	9H10	12	125 - 49	AH136873	8F8	19	110 - 81	AH137641	2G20	9	32 - 19
AH136202	9H14	26	125 - 53	AH136896	3D2	2	40 - 21	AH137679	8H18	2	120 - 49
AH136203	6C11	6	70 - 7	AH136896	3D4	2	40 - 23	AH137680	8H16	28	120 - 47
AH136233	2G6	15	32 - 5	AH136929	7G11	2	90 - 57	AH137691	6D10	12	70 - 31
AH136239	9I6	25	125 - 69	AH136930	7G11	4	90 - 57	AH137702	7H12	4	90 - 83
AH136242	6G18	11	70 - 116	AH136934	7G13	3	90 - 59	AH137704	1C5	15C	20 - 9
AH136248	6C11	..	70 - 7	AH136935	7G13	2	90 - 59	AH137725	7F10	11B	90 - 31
AH136263	6G24	5	70 - 123	AH136936	7G15	3	90 - 61	AH137733	8C25	1	110 - 23
AH136264	6G24	6	70 - 123	AH136937	7G9	2	90 - 55	AH137751	9H7	4	125 - 46
AH136277	6D10	8	70 - 31	AH137147	3F22	12	40 - 91	AH137752	9G20	13	125 - 35
AH136285	7D24	18	80 - 51	AH137183	3E20	18	40 - 65	AH137753	9H2	3	125 - 41
AH136301	5C14	2	60 - 11	AH137183	10D22	3A	130 - 45	AH137754	4D15	1	50 - 36
AH136301	5C16	1	60 - 13	AH137201	7D10	11	80 - 37	AH137755	4D15	1	50 - 36
AH136301	5C18	32	60 - 15	AH137204	8H20	7	120 - 51	AH137758	2G20	2	32 - 19
AH136304	5C18	18	60 - 15	AH137205	6G18	12	70 - 116	AH137758	2G20	9	32 - 19
AH136304	5C18	19	60 - 15	AH137212	3C20	26	40 - 15	AH137758	7I2	28	90 - 99
AH136304	5C18	20	60 - 15	AH137224	8E9	20	110 - 57	AH137771	9C23	12	121 - 21
AH136304	5C18	21	60 - 15	AH137224	8E11	24	110 - 59	AH137771	9C25	12	121 - 23
AH136304	5C18	22	60 - 15	AH137233	8G10	4B	120 - 15	AH137772	9C19	1	121 - 17
AH136304	5C18	23	60 - 15	AH137235	8F20	1	120 - 1	AH137772	9C21	1	121 - 19
AH136304	5C18	24	60 - 15	AH137238	3F22	10	40 - 91	AH137788	3C20	26	40 - 15
AH136304	5C18	25	60 - 15	AH137254	2G4	19	32 - 3	AH137791	1C5	1	20 - 9
AH136304	5C18	26	60 - 15	AH137254	7C22	6	80 - 25	AH137791	1C5	14	20 - 9
AH136305	5C18	2	60 - 15	AH137256	10D4	3	130 - 27	AH137791	1C5	15A	20 - 9
AH136307	7C22	17	80 - 25	AH137257	10D4	2	130 - 27	AH137792	9F13	7	125 - 3
AH136326	7E12	8	90 - 9	AH137284	5D22	5	60 - 43	AH137795	4D1	1	50 - 21
AH136342	3H4	1	40 - 121	AH137288	9I6	25	125 - 69	AH137816	4D14	12	50 - 35
AH136355	7D24	5	80 - 51	AH137291	9I14	30	125 - 77	AH137817	2G4	23	32 - 3
AH136356	3D21	1	40 - 41	AH137295	4D1	1	50 - 21	AH137831	8C11	7	110 - 9
AH136356	3F22	4	40 - 91	AH137310	9C15	18	121 - 13	AH137845	8E19	1	110 - 67
AH136358	8C5	17B	110 - 3	AH137329	4D1	1	50 - 21	AH137893	4C24	6	50 - 19
AH136358	8C9	17	110 - 7	AH137350	4D6	33	50 - 27	AH137927	3C8	1	40 - 3
AH136362	4C12	11	50 - 7	AH137523	8G17	26	120 - 23	AH137927	3D17	14	40 - 37
AH136362	5C16	14	60 - 13	AH137523	8G23	11	120 - 29	AH137935	7C20	3	80 - 23
AH136367	5D16	8	60 - 37	AH137534	8G17	19	120 - 23	AH137949	9C19	..	121 - 17
AH136368	5D16	9	60 - 37	AH137539	4H4	5	50 - 125	AH137949	9C23	..	121 - 21
AH136385	2G18	2	32 - 17	AH137540	4H4	4	50 - 125	AH137975	5D20	8A	60 - 41
AH136455	7C12	10	80 - 15	AH137544	1C16	2	20 - 21	AH137975	5D20	8B	60 - 41
AH136455	7C16	8	80 - 19	AH137544	2G20	5	32 - 19	AH137975	9H6	1	125 - 45
AH136466	3C8	1	40 - 3	AH137560	6H2	5	70 - 125	AH137986	9H18	17	125 - 57
AH136466	3D17	14	40 - 37	AH137561	6H2	11	70 - 125	AH138048	4C10	10	50 - 5
AH136467	3C18	1	40 - 13	AH137567	6H4	1	70 - 127	AH138048	4C12	4	50 - 7
AH136484	10C7	5	130 - 5	AH137568	6H4	2	70 - 127	AH138092	8C5	1	110 - 3
AH136485	10C7	5	130 - 5	AH137569	6H6	23	70 - 129	AH138098	3D17	12	40 - 37
AH136494	3G20	7	40 - 113	AH137570	6H6	20	70 - 129	AH138099	3C10	..	40 - 5
AH136496	3G20	3	40 - 113	AH137572	6H6	7	70 - 129	AH138099	3D17	20	40 - 37
AH136497	8F4	8	110 - 77	AH137576	6H6	30	70 - 129	AH138099	3D17	29	40 - 37
AH136497	9D18	15	121 - 41	AH137581	9I14	30	125 - 77	AH138111	7F20	8	90 - 41
AH136498	3F22	12	40 - 91	AH137592	8E19	1	110 - 67	AH138155	9G2	21	125 - 17
AH136504	7C16	14	80 - 19	AH137598	8E19	1	110 - 67	AH138156	9G4	41	125 - 19

NUMERICAL INDEX - CONTINUED

PART NO.	GRID	KEY	PAGE	PART NO.	GRID	KEY	PAGE	PART NO.	GRID	KEY	PAGE
AH138156	9G6	1	125 - 21	AH138751	8D20	19	110 - 43	AH139286	8C21	2	110 - 19
AH138157	9G2	25	125 - 17	AH138751	8D20	..	110 - 43	AH139290	9F15	12	125 - 5
AH138157	9G6	10	125 - 21	AH138802	3E10	5	40 - 55	AH139295	8E4	6	110 - 51
AH138171	4F15	14	50 - 87	AH138802	3E18	2	40 - 63	AH139295	8E6	22	110 - 53
AH138171	4F15	16	50 - 87	AH138809	5E9	4	60 - 57	AH139296	9E4	3	121 - 51
AH138172	4F15	16	50 - 87	AH138813	8D8	1	110 - 31	AH139296	9E8	12	121 - 55
AH138187	8E19	1	110 - 67	AH138813	8D10	7	110 - 33	AH139296	9F2	25	121 - 73
AH138200	6F19	13	70 - 92	AH138814	8D8	4	110 - 31	AH139296	9F4	24	121 - 75
AH138212	7C10	6	80 - 13	AH138814	8D10	17	110 - 33	AH139297	8H16	24	120 - 47
AH138215	3G24	3	40 - 117	AH138864	4G8	12	50 - 105	AH139300	3E20	19	40 - 65
AH138230	8I18	9A	120 - 73	AH138864	4G10	7	50 - 107	AH139313	8F22	2	120 - 3
AH138230	8I18	9B	120 - 73	AH138865	6F22	13	70 - 95	AH139315	8D10	5	110 - 33
AH138230	8I20	2A	120 - 75	AH138865	6F24	7	70 - 97	AH139316	8D8	11	110 - 31
AH138230	8I20	2B	120 - 75	AH138866	6F22	12	70 - 95	AH139321	4H2	1	50 - 123
AH138231	8I6	7A	120 - 61	AH138866	6F24	6	70 - 97	AH139321	9C5	..	121 - 3
AH138231	8I6	7B	120 - 61	AH138890	7D2	7	80 - 29	AH139321	9C7	..	121 - 5
AH138232	8I14	6A	120 - 69	AH138891	9F13	5	125 - 3	AH139321	9C11	..	121 - 9
AH138232	8I14	6B	120 - 69	AH138891	9G4	40	125 - 19	AH139321	9C15	..	121 - 13
AH138232	8I18	8A	120 - 73	AH138893	9E8	..	121 - 55	AH139342	8H10	6	120 - 41
AH138232	8I18	8B	120 - 73	AH138895	9E8	..	121 - 55	AH139352	8C5	20	110 - 3
AH138233	5D20	11A	60 - 41	AH138947	10C9	8	130 - 7	AH139352	8C7	2	110 - 5
AH138233	5D20	11B	60 - 41	AH138963	8D4	1	110 - 27	AH139364	2G14	13	32 - 13
AH138234	8I6	2A	120 - 61	AH138971	9G14	22	125 - 29	AH139364	2G16	11	32 - 15
AH138234	8I6	2B	120 - 61	AH138971	9H24	2	125 - 63	AH139384	7C10	6	80 - 13
AH138257	1C3	6	20 - 7	AH138972	9G14	23	125 - 29	AH139388	10C5	18	130 - 3
AH138278	8C23	3	110 - 21	AH138972	9H24	8	125 - 63	AH139389	10C5	18	130 - 3
AH138279	3C8	1	40 - 3	AH138986	5D22	5	60 - 43	AH139391	10C5	18	130 - 3
AH138279	3D17	14	40 - 37	AH139015	9C21	21	121 - 19	AH139423	8C21	4	110 - 19
AH138279	3D17	20	40 - 37	AH139019	9C19	..	121 - 17	AH139423	8D4	1	110 - 27
AH138280	3C8	1	40 - 3	AH139019	9C23	..	121 - 21	AH139423	8D6	5	110 - 29
AH138280	3D17	14	40 - 37	AH139060	6E12	22	70 - 59	AH139432	8G12	17	120 - 17
AH138280	3D17	20	40 - 37	AH139060	6E23	11	70 - 71	AH139433	8G12	17	120 - 17
AH138289	3C10	..	40 - 5	AH139060	6F2	11	70 - 75	AH139434	6G6	12	70 - 103
AH138289	3D17	20	40 - 37	AH139065	5D6	36	60 - 27	AH139434	6G6	13	70 - 103
AH138289	3D17	29	40 - 37	AH139065	7H4	36	90 - 75	AH139436	8H6	12	120 - 37
AH138291	3F4	13	40 - 73	AH139072	10E14	9	130 - 61	AH139436	9E6	3	121 - 53
AH138329	4D3	28	50 - 23	AH139072	10E14	10	130 - 61	AH139436	10F8	3	170 - 5
AH138329	4D3	30	50 - 23	AH139118	9C5	5	121 - 3	AH139445	8F20	1	120 - 1
AH138329	4D3	33	50 - 23	AH139119	7G17	4	90 - 63	AH139504	4D14	8	50 - 35
AH138329	7F16	33	90 - 37	AH139119	7G17	5	90 - 63	AH139505	4D14	9	50 - 35
AH138361	2G14	13	32 - 13	AH139119	7G17	6	90 - 63	AH139516	8C11	7	110 - 9
AH138374	8H20	1	120 - 51	AH139129	3C12	12	40 - 7	AH139554	4C14	4	50 - 9
AH138374	8H22	2	120 - 53	AH139129	7F14	12	90 - 35	AH139570	7C4	4	80 - 7
AH138375	8H22	9	120 - 53	AH139161	2G4	23	32 - 3	AH139571	7C4	5	80 - 7
AH138384	8H18	23	120 - 49	AH139173	8C7	1	110 - 5	AH139611	6D14	7	70 - 35
AH138398	10E12	5	130 - 59	AH139174	8F10	2	110 - 83	AH139641	8C11	7	110 - 9
AH138399	10E12	6	130 - 59	AH139175	8F10	17	110 - 83	AH139679	9G2	18	125 - 17
AH138510	9H8	4	125 - 47	AH139233	4C17	1	50 - 12	AH139679	9G6	20	125 - 21
AH138546	6H6	25	70 - 129	AH139238	9D4	43	121 - 27	AH139680	9G4	44	125 - 19
AH138547	6H6	1	70 - 129	AH139240	6E10	36	70 - 57	AH139680	9G6	19	125 - 21
AH138548	6G24	10	70 - 123	AH139240	6E12	..	70 - 59	AH139743	6D14	7	70 - 35
AH138549	6G24	7	70 - 123	AH139240	6E14	..	70 - 61	AH139755	6D14	..	70 - 35
AH138553	6H6	28	70 - 129	AH139240	6E15	..	70 - 62	AH139755	6D15	5	70 - 36
AH138601	7H8	13	90 - 79	AH139240	6E17	..	70 - 65	AH139768	8G12	17	120 - 17
AH138601	7H8	17	90 - 79	AH139240	6E19	..	70 - 67	AH139779	4C14	4	50 - 9
AH138601	7H8	..	90 - 79	AH139240	6E21	..	70 - 69	AH139782	7C22	11	80 - 25
AH138628	9G2	18	125 - 17	AH139242	8D6	6	110 - 29	AH139791	9F13	5	125 - 3
AH138629	9G4	44	125 - 19	AH139243	8D4	1	110 - 27	AH139791	9G4	40	125 - 19
AH138655	9I4	7	125 - 67	AH139243	8D6	3	110 - 29	AH139791	9G6	16	125 - 21
AH138660	9C9	10	121 - 7	AH139246	8G23	8	120 - 29	AH139792	6D14	7	70 - 35
AH138702	5C18	31	60 - 15	AH139255	7C10	6	80 - 13	AH139796	6D15	5	70 - 36
AH138707	4D3	4	50 - 23	AH139256	7C8	3	80 - 11	AH139802	4G16	24	50 - 113
AH138707	7F16	4	90 - 37	AH139256	7C8	10	80 - 11	AH139816	9D22	20	121 - 45
AH138718	9H18	9	125 - 57	AH139260	9G2	8	125 - 17	AH139853	4G18	20	50 - 115
AH138724	6D10	28	70 - 31	AH139260	9G8	9	125 - 23	AH139854	4G18	20	50 - 115
AH138725	6D10	6	70 - 31	AH139284	5C20	29	60 - 17	AH139854	4G20	15	50 - 117
AH138751	8D20	1	110 - 43	AH139285	8C21	6	110 - 19	AH139868	8F10	3	110 - 83

NUMERICAL INDEX - CONTINUED

PART NO.	GRID	KEY	PAGE	PART NO.	GRID	KEY	PAGE	PART NO.	GRID	KEY	PAGE
AH139886	7C8	7	80 - 11	AH140410	4C25	3	50 - 20	AH140930	2G20	3	32 - 19
AH139889	3C12	7	40 - 7	AH140410	4C25	..	50 - 20	AH140967	7C8	10	80 - 11
AH139889	7F14	7	90 - 35	AH140410	4D8	..	50 - 29	AH14097	9G16	1	125 - 31
AH139895	4G21	5	50 - 118	AH140417	8G12	..	120 - 17	AH140989	3E20	18	40 - 65
AH139896	4G21	5	50 - 118	AH140427	7C4	..	80 - 7	AH140989	10D22	3A	130 - 45
AH139898	4G21	3	50 - 118	AH140433	4F3	14	50 - 74	AH141012	3D17	1	40 - 37
AH139898	4G21	5	50 - 118	AH140434	8I22	8	120 - 77	AH141012	3D17	5	40 - 37
AH139899	4G21	3	50 - 118	AH140471	1C16	6	20 - 21	AH141012	3D17	6	40 - 37
AH139899	4G21	5	50 - 118	AH140471	6G4	4	70 - 101	AH141012	3D17	7	40 - 37
AH139916	8J6	7A	120 - 85	AH140471	7H16	6	90 - 87	AH141012	3D17	8	40 - 37
AH139916	8J6	7B	120 - 85	AH140472	1C16	9	20 - 21	AH141012	3D17	10	40 - 37
AH139918	8J6	7A	120 - 85	AH140472	6G4	1	70 - 101	AH141022	9C21	21	121 - 19
AH139918	8J6	7B	120 - 85	AH140474	1C12	5	20 - 17	AH141030	8H4	2	120 - 35
AH139919	8D20	31	110 - 43	AH140474	1C16	5	20 - 21	AH141038	3E8	2	40 - 53
AH139919	8F8	18	110 - 81	AH140484	7B24	23	80 - 3	AH141040	5D20	8A	60 - 41
AH139936	9D2	24B	121 - 25	AH140485	7B24	23	80 - 3	AH141042	9H4	4	125 - 43
AH139987	3G12	2	40 - 105	AH140493	2G4	23	32 - 3	AH141049	9C19	..	121 - 17
AH139996	10D20	1	130 - 43	AH140495	1B25	33	20 - 3	AH141049	9C21	..	121 - 19
AH140001	10E12	15	130 - 59	AH140497	1B25	31	20 - 3	AH141049	9C23	..	121 - 21
AH140001	10E12	16	130 - 59	AH140517	8G17	26	120 - 23	AH141049	9C25	..	121 - 23
AH140003	10E10	22	130 - 57	AH140553	7C8	7	80 - 11	AH141131	3C16	9	40 - 11
AH140004	10E12	19	130 - 59	AH140558	6G17	19	70 - 115	AH141138	8F12	17	110 - 85
AH140004	10F7	2	170 - 4	AH140599	7C8	7	80 - 11	AH141139	8F14	15	110 - 87
AH140010	9F15	12	125 - 5	AH140604	8G17	2	120 - 23	AH141142	9I21	..	125 - 84
AH140010	9F17	8	125 - 7	AH140604	8G23	18	120 - 29	AH141152	6D14	2A	70 - 35
AH140044	8H24	10	120 - 55	AH140605	3D21	14	40 - 41	AH141152	8C5	4A	110 - 3
AH140044	8I8	2	120 - 63	AH140605	5C12	10	60 - 9	AH141161	7E18	4	90 - 15
AH140044	8I16	2	120 - 71	AH140609	3C12	4	40 - 7	AH141171	3C16	5	40 - 11
AH140071	6G20	6	70 - 118	AH140609	7F14	4	90 - 35	AH141178	7D18	1A	80 - 45
AH140078	3F22	4	40 - 91	AH140610	3C10	4	40 - 5	AH141184	9G16	27	125 - 31
AH140081	10D16	2	130 - 39	AH140615	8D22	31	110 - 45	AH141201	10E10	22	130 - 57
AH140091	4H2	7	50 - 123	AH140620	8H16	19	120 - 47	AH141204	8G17	15	120 - 23
AH140091	6F4	26	70 - 77	AH140623	1C5	4	20 - 9	AH141218	3G24	8	40 - 117
AH140105	8F2	22	110 - 75	AH140623	1C6	..	20 - 10	AH141236	8F12	1	110 - 85
AH140109	2G20	2	32 - 19	AH140623	10F6	1	170 - 3	AH141237	8F12	5	110 - 85
AH140109	2G20	9	32 - 19	AH140706	3C16	14	40 - 11	AH141238	8F12	7	110 - 85
AH140111	7D4	1	80 - 31	AH140706	3C16	18	40 - 11	AH141239	8F12	11	110 - 85
AH140113	8C25	9	110 - 23	AH140713	10D16	7	130 - 39	AH141240	8F12	14	110 - 85
AH140118	1C3	2	20 - 7	AH140714	5D12	8	60 - 33	AH141241	8F12	12	110 - 85
AH140119	1B25	2	20 - 3	AH140715	5D12	7	60 - 33	AH141242	8F12	15	110 - 85
AH140120	3C14	7	40 - 9	AH140784	3C10	..	40 - 5	AH141243	8F14	1	110 - 87
AH140120	3D25	..	40 - 45	AH140784	3D17	20	40 - 37	AH141244	8F14	5	110 - 87
AH140121	8D10	12	110 - 33	AH140784	3D17	25	40 - 37	AH141245	8F14	9	110 - 87
AH140127	10C23	14	130 - 21	AH140784	3D17	29	40 - 37	AH141246	8F14	12	110 - 87
AH140127	10C23	20	130 - 21	AH140785	3C10	..	40 - 5	AH141247	8F14	10	110 - 87
AH140127	10C23	24	130 - 21	AH140785	3D17	20	40 - 37	AH141248	8F14	13	110 - 87
AH140127	10C23	25	130 - 21	AH140785	3D17	25	40 - 37	AH141248	8F16	14	110 - 89
AH140129	9G2	21	125 - 17	AH140785	3D17	29	40 - 37	AH141257	8C7	21	110 - 5
AH140129	9G2	35B	125 - 17	AH140786	3C10	..	40 - 5	AH141265	3C20	26	40 - 15
AH140129	9G6	12	125 - 21	AH140786	3D17	20	40 - 37	AH141269	6G15	48	70 - 113
AH140131	8G12	26	120 - 17	AH140786	3D17	22	40 - 37	AH141270	6G15	13	70 - 113
AH140161	4C8	2A	50 - 3	AH140786	3D17	25	40 - 37	AH141270	6G15	27	70 - 113
AH140169	3D2	1	40 - 21	AH140786	3D17	27	40 - 37	AH141270	6G15	28	70 - 113
AH140169	3D9	1	40 - 28	AH140786	3D17	29	40 - 37	AH141270	6G15	31	70 - 113
AH140170	1B25	18	20 - 3	AH140786	3D17	31	40 - 37	AH141270	6G15	32	70 - 113
AH140185	8D22	19	110 - 45	AH140790	10D20	1	130 - 43	AH141270	6G15	33	70 - 113
AH140206	7G7	3	90 - 53	AH14080	9E8	6	121 - 55	AH141270	6G15	34	70 - 113
AH140213	9I2	8	125 - 65	AH140838	7E14	12	90 - 11	AH141270	6G15	35	70 - 113
AH140253	4C16	3	50 - 11	AH140851	4F15	12	50 - 87	AH141270	6G15	36	70 - 113
AH140312	7C3	..	80 - 6	AH140851	4G4	11	50 - 101	AH141270	6G15	37	70 - 113
AH140332	10E8	11	130 - 55	AH140852	4F15	12	50 - 87	AH141270	6G15	38	70 - 113
AH140334	10D24	6	130 - 47	AH140852	4G4	11	50 - 101	AH141270	6G15	40	70 - 113
AH140334	10E2	10	130 - 49	AH140901	10E16	23	130 - 63	AH141270	6G15	42	70 - 113
AH140335	10D24	6	130 - 47	AH140902	6C11	25	70 - 7	AH141270	6G15	43	70 - 113
AH140335	10E2	10	130 - 49	AH140902	9H10	12	125 - 49	AH141270	6G15	44	70 - 113
AH140341	8D22	..	110 - 45	AH140902	9H14	26	125 - 53	AH141270	6G15	..	70 - 113
AH140394	6G17	23	70 - 115	AH140903	6C11	6	70 - 7	AH141273	7D4	5	80 - 31

NUMERICAL INDEX - CONTINUED

PART NO.	GRID	KEY	PAGE	PART NO.	GRID	KEY	PAGE	PART NO.	GRID	KEY	PAGE
AH141283	8F16	16	110 - 89	AH141858	6C12	1	70 - 8	AH142597	3E10	..	40 - 55
AH141302	4C14	4	50 - 9	AH141858	6C12	..	70 - 8	AH142597	3E14	32	40 - 59
AH141389	9C17	20	121 - 15	AH141858	9G20	14	125 - 35	AH142597	3E14	..	40 - 59
AH141389	9D4	46	121 - 27	AH141861	8C21	4	110 - 19	AH142611	4F9	4	50 - 81
AH141393	8J2	5	120 - 81	AH141861	8D4	1	110 - 27	AH142611	4G2	4	50 - 99
AH141393	8J6	17	120 - 85	AH141861	8D6	5	110 - 29	AH142630	10C15	20	130 - 13
AH141399	8E11	24	110 - 59	AH141973	9D18	5	121 - 41	AH142731	6E15	18	70 - 62
AH141399	8E15	17	110 - 63	AH141984	3C12	9	40 - 7	AH142731	6E15	19	70 - 62
AH141411	7E16	16	90 - 13	AH141984	7F14	9	90 - 35	AH142731	6E15	20	70 - 62
AH141412	7E16	16	90 - 13	AH142010	7D6	1A	80 - 33	AH142731	6E15	21	70 - 62
AH141543	4G4	11	50 - 101	AH142057	3C12	16	40 - 7	AH142731	6E19	..	70 - 67
AH141544	4G4	11	50 - 101	AH142096	1C12	6	20 - 17	AH142731	6E21	..	70 - 69
AH141544	4G6	11	50 - 103	AH142103	7H16	4	90 - 87	AH142758	4F17	17	50 - 89
AH141545	4F15	11	50 - 87	AH142105	7H12	22	90 - 83	AH142758	4F25	17	50 - 97
AH141545	4G4	1	50 - 101	AH142107	7H16	2	90 - 87	AH142778	9G12	1	125 - 27
AH141546	4F15	14	50 - 87	AH142108	6F14	..	70 - 87	AH142870	9C11	20	121 - 9
AH141546	4F21	14	50 - 93	AH142108	6F18	11	70 - 91	AH142870	9C13	18	121 - 11
AH141547	4F15	16	50 - 87	AH142139	4C20	1	50 - 15	AH142893	5C24	31	60 - 21
AH141572	9I14	30	125 - 77	AH142150	3G24	3	40 - 117	AH142893	5C24	..	60 - 21
AH141573	9I6	25	125 - 69	AH142155	3C8	1	40 - 3	AH142999	3E20	18	40 - 65
AH141577	10C5	12	130 - 3	AH142155	3D17	14	40 - 37	AH142999	10D22	3A	130 - 45
AH141582	5C20	29	60 - 17	AH142156	8D10	12	110 - 33	AH143031	8C15	1	110 - 13
AH141618	8G10	4C	120 - 15	AH142158	4C20	1	50 - 15	AH143033	7D16	12	80 - 43
AH141625	2G14	13	32 - 13	AH142163	9I6	27	125 - 69	AH143035	4F19	1	50 - 91
AH141625	2G16	11	32 - 15	AH142164	6F12	16	70 - 85	AH143035	4F23	1	50 - 95
AH141641	10D10	1	130 - 33	AH142164	6F14	18	70 - 87	AH143036	2G6	15	32 - 5
AH141652	9H2	5	125 - 41	AH142168	2G16	8	32 - 15	AH143048	9G2	21	125 - 17
AH141671	1C3	11	20 - 7	AH142185	10C11	9	130 - 9	AH143048	9G6	23	125 - 21
AH141672	1C1	5	20 - 4	AH142188	10C11	9	130 - 9	AH143068	3C12	7	40 - 7
AH141672	1C1	11	20 - 4	AH142197	10C9	5	130 - 7	AH143068	7F14	7	90 - 35
AH141672	1C1	22	20 - 4	AH142200	10C9	5	130 - 7	AH143069	8E7	2	110 - 54
AH141672	1C3	14	20 - 7	AH142201	10C9	5	130 - 7	AH143215	8C7	8B	110 - 5
AH141686	5C16	5	60 - 13	AH142203	10C9	5	130 - 7	AH143218	7D16	10	80 - 43
AH141687	5C16	6	60 - 13	AH142295	10E17	6	130 - 64	AH143219	7D14	7	80 - 41
AH141743	7D22	2	80 - 49	AH142295	10E17	7	130 - 64	AH143301	3C18	1	40 - 13
AH141750	9F15	12	125 - 5	AH142295	10E17	11	130 - 64	AH143322	6F19	16	70 - 92
AH141750	9F17	8	125 - 7	AH142327	7F14	7	90 - 35	AH143322	6F20	12	70 - 93
AH141762	9D14	14	121 - 37	AH142336	3D13	23	40 - 33	AH143352	4F19	5	50 - 91
AH141762	9E6	25	121 - 53	AH142370	8H12	16	120 - 43	AH143352	4F23	5	50 - 95
AH141774	7E10	4	90 - 7	AH142394	8E19	31	110 - 67	AH143352	4G6	11	50 - 103
AH141780	8C25	10	110 - 23	AH142394	8E21	31	110 - 69	AH143353	4F17	16	50 - 89
AH141781	8C25	9	110 - 23	AH142404	7F8	24	90 - 29	AH143353	4F25	17	50 - 97
AH141781	8C25	12	110 - 23	AH142404	7F10	2	90 - 31	AH143356	10C15	20	130 - 13
AH141782	8C25	9	110 - 23	AH142404	7F10	3	90 - 31	AH143361	8C17	13	110 - 15
AH141782	8C25	11	110 - 23	AH142404	7F10	4	90 - 31	AH143362	8C17	14	110 - 15
AH141791	3C12	7	40 - 7	AH142404	7F10	21	90 - 31	AH143406	4G18	19	50 - 115
AH141791	7F14	7	90 - 35	AH142407	8E4	24	110 - 51	AH143407	4G18	19	50 - 115
AH141794	5C16	2	60 - 13	AH142422	8G4	1	120 - 9	AH143407	4G20	14	50 - 117
AH141804	7F8	1	90 - 29	AH142441	5C24	32	60 - 21	AH143417	3D13	7	40 - 33
AH141807	8C5	1	110 - 3	AH142441	5D6	27	60 - 27	AH143422	3C8	6	40 - 3
AH141808	1C3	17	20 - 7	AH142441	7H4	27	90 - 75	AH143426	9F15	12	125 - 5
AH141810	4F21	16	50 - 93	AH142442	3F22	11	40 - 91	AH143426	9F17	8	125 - 7
AH141811	4E14	19	50 - 59	AH142450	6E10	13	70 - 57	AH143426	9F19	7	125 - 9
AH141812	7F8	11	90 - 29	AH142450	6E10	32	70 - 57	AH143445	3D13	8	40 - 33
AH141813	3G12	10A	40 - 105	AH142450	6E10	38	70 - 57	AH143455	6D22	7	70 - 43
AH141813	3G12	10B	40 - 105	AH142450	6E23	12	70 - 71	AH143512	8F12	8	110 - 85
AH141819	8J2	17	120 - 81	AH142450	6F2	12	70 - 75	AH143512	8F12	13	110 - 85
AH141820	9D4	29	121 - 27	AH142490	3C12	7	40 - 7	AH143512	8F12	..	110 - 85
AH141820	9D8	2	121 - 31	AH142490	7F14	7	90 - 35	AH143512	8F14	6	110 - 87
AH141823	2G4	27	32 - 3	AH142527	1C3	25	20 - 7	AH143512	8F14	7	110 - 87
AH141832	10C11	9	130 - 9	AH142551	8G4	2	120 - 9	AH143512	8F14	..	110 - 87
AH141835	10C9	5	130 - 7	AH142560	8E7	8	110 - 54	AH143512	8F16	7	110 - 89
AH141836	10C9	5	130 - 7	AH142594	3E10	24	40 - 55	AH143512	8F16	8	110 - 89
AH141843	10C11	9	130 - 9	AH142594	3E14	32	40 - 59	AH143682	6D12	1	70 - 33
AH141845	10C9	5	130 - 7	AH142595	3E10	24	40 - 55	AH143682	6F20	1	70 - 93
AH141848	10C9	5	130 - 7	AH142595	3E14	32	40 - 59	AH143711	3F22	4	40 - 91
AH141849	1C3	8	20 - 7	AH142597	3E10	24	40 - 55	AH143720	3C20	26	40 - 15

NUMERICAL INDEX - CONTINUED

PART NO.	GRID	KEY	PAGE	PART NO.	GRID	KEY	PAGE	PART NO.	GRID	KEY	PAGE
AH143727	10E8	11	130 - 55	AH144523	8F16	2	110 - 89	AH145237	4G12	5	50 - 109
AH143729	10E6	6	130 - 53	AH144544	8G12	26	120 - 17	AH145239	6G2	6	70 - 99
AH143731	10E6	6	130 - 53	AH144545	8G12	26	120 - 17	AH145241	6G2	7	70 - 99
AH143731	10E8	11	130 - 55	AH144553	2G4	23	32 - 3	AH145256	3F13	1	40 - 82
AH143737	5C14	2	60 - 11	AH144599	8G8	4	120 - 13	AH145262	8J2	15	120 - 81
AH143737	5C16	1	60 - 13	AH144601	8G8	20	120 - 13	AH145263	8J2	16	120 - 81
AH143737	5C18	32	60 - 15	AH144609	8G6	9	120 - 11	AH145277	3G18	4	40 - 111
AH143744	8G17	26	120 - 23	AH144609	8G6	18	120 - 11	AH145281	8C17	22	110 - 15
AH143744	8G23	11	120 - 29	AH144609	8G6	19	120 - 11	AH145282	8C17	16	110 - 15
AH143745	3F22	12	40 - 91	AH144695	5E9	4	60 - 57	AH145314	8D22	..	110 - 45
AH143746	9D12	4	121 - 35	AH144715	8D22	17	110 - 45	AH145563	3G21	1	40 - 114
AH143747	9D12	4	121 - 35	AH144719	1C16	2	20 - 21	AH145565	3C12	16	40 - 7
AH143747	9D12	5	121 - 35	AH144719	2G20	5	32 - 19	AH145565	7F14	16	90 - 35
AH143761	3E6	17	40 - 51	AH144741	3C10	6	40 - 5	AH145568	10C17	9	130 - 15
AH143762	3E8	..	40 - 53	AH144742	3C10	7	40 - 5	AH145580	8C9	2	110 - 7
AH143870	8C7	8B	110 - 5	AH144776	8G8	2	120 - 13	AH145603	8J6	7B	120 - 85
AH143871	6D14	2A	70 - 35	AH144776	8G8	12	120 - 13	AH145604	8J6	7B	120 - 85
AH143871	8C5	4A	110 - 3	AH144778	7G7	1	90 - 53	AH145611	4D1	1	50 - 21
AH143900	3D19	17	40 - 39	AH144815	8J2	8	120 - 81	AH145614	4D1	1	50 - 21
AH143900	3D21	4	40 - 41	AH144816	8J2	10	120 - 81	AH145615	4D1	1	50 - 21
AH143900	3D23	1	40 - 43	AH144816	8J4	9	120 - 83	AH145616	7G24	2	90 - 70
AH143900	3D25	11	40 - 45	AH144827	8H14	5	120 - 45	AH145622	4C14	4	50 - 9
AH143903	3E24	1B	40 - 69	AH144831	6C12	..	70 - 8	AH145622	4C15	9	50 - 10
AH143903	3F22	4	40 - 91	AH144854	7D6	5	80 - 33	AH145623	4C15	1	50 - 10
AH143904	3E24	1B	40 - 69	AH144855	7D6	5	80 - 33	AH145631	8C9	1	110 - 7
AH143904	9E10	5	121 - 57	AH144868	8G17	26	120 - 23	AH145673	7F20	2	90 - 41
AH143904	9E12	5	121 - 59	AH144893	3E10	24	40 - 55	AH145674	3C10	23	40 - 5
AH143904	9E14	5	121 - 61	AH144893	3E14	32	40 - 59	AH145678	7E24	28	90 - 21
AH143922	3E20	20	40 - 65	AH144954	3E10	24	40 - 55	AH145678	7F2	16	90 - 23
AH143997	3E24	1A	40 - 69	AH144954	3E14	32	40 - 59	AH145686	8J2	17	120 - 81
AH144018	3D2	2	40 - 21	AH145021	3C8	1	40 - 3	AH145687	8J2	16	120 - 81
AH144019	3D6	2	40 - 25	AH145021	3D17	14	40 - 37	AH145688	3C10	4	40 - 5
AH144020	3D6	1	40 - 25	AH145022	3D19	17	40 - 39	AH145689	4F11	4	50 - 83
AH144020	7H8	34	90 - 79	AH145022	3D21	4	40 - 41	AH145689	4F13	4	50 - 85
AH144030	6D14	2B	70 - 35	AH145022	3D23	1	40 - 43	AH145690	4F25	17	50 - 97
AH144030	6D14	2C	70 - 35	AH145022	3D25	11	40 - 45	AH145691	4F23	5	50 - 95
AH144030	8C5	4B	110 - 3	AH145026	3C18	1	40 - 13	AH145691	4G6	11	50 - 103
AH144030	8C9	4	110 - 7	AH145029	8D12	12	110 - 35	AH145699	3F22	4	40 - 91
AH144031	6D14	2B	70 - 35	AH145029	8E23	6	110 - 71	AH145701	3F22	12	40 - 91
AH144031	8C7	8B	110 - 5	AH145030	6F14	18	70 - 87	AH145703	7D22	11	80 - 49
AH144044	3D8	6	40 - 27	AH145030	6F16	13	70 - 89	AH145706	8J2	8	120 - 81
AH144068	10E16	4	130 - 63	AH145030	6F16	14	70 - 89	AH145706	8J4	7	120 - 83
AH144079	8H16	19	120 - 47	AH145030	6F16	15	70 - 89	AH145706	8J4	13	120 - 83
AH144081	8G13	6	120 - 18	AH145030	6F16	16	70 - 89	AH145762	8C19	1	110 - 17
AH144084	3D2	6	40 - 21	AH145030	6F16	17	70 - 89	AH145763	8C19	2	110 - 17
AH144084	3D6	3	40 - 25	AH145030	6F16	20	70 - 89	AH145769	3E6	2	40 - 51
AH144084	7H12	8	90 - 83	AH145031	3F14	10	40 - 83	AH145769	3E6	4	40 - 51
AH144095	6D22	18	70 - 43	AH145031	3F16	10	40 - 85	AH145769	3E6	10	40 - 51
AH144096	3D2	1	40 - 21	AH145047	10D24	6	130 - 47	AH145769	3E6	14	40 - 51
AH144096	3D4	1	40 - 23	AH145048	10D24	6	130 - 47	AH145880	4F23	5	50 - 95
AH144096	3D9	1	40 - 28	AH145049	10D24	6	130 - 47	AH145880	4G6	11	50 - 103
AH144099	8D20	31	110 - 43	AH145049	10E2	10	130 - 49	AH145899	6H4	2	70 - 127
AH144099	8F8	18	110 - 81	AH145050	10E2	10	130 - 49	AH145935	8J2	15	120 - 81
AH144100	7G17	18	90 - 63	AH145051	10D18	1	130 - 41	AH145935	8J4	12	120 - 83
AH144104	8G6	2	120 - 11	AH145056	3D23	20	40 - 43	AH145947	3C20	7	40 - 15
AH144192	4G6	1	50 - 103	AH145060	4C8	2B	50 - 3	AH145962	3C18	9	40 - 13
AH144194	4G6	11	50 - 103	AH145061	4C8	1	50 - 3	AH145964	3F22	11	40 - 91
AH144338	3D6	6	40 - 25	AH145065	7F22	7	90 - 43	AH145980	5D22	10	60 - 43
AH144339	3D8	8	40 - 27	AH145157	7F4	8	90 - 25	AH146032	7G7	4	90 - 53
AH144381	3F22	4	40 - 91	AH145203	8F16	6	110 - 89	AH146041	7D22	7	80 - 49
AH144382	3F22	4	40 - 91	AH145204	8F16	10	110 - 89	AH146041	7D22	11	80 - 49
AH144433	3F22	11	40 - 91	AH145205	8F16	13	110 - 89	AH146043	6F14	..	70 - 87
AH144478	9F13	5	125 - 3	AH145206	8F16	11	110 - 89	AH146043	6F16	9	70 - 89
AH144478	9G4	40	125 - 19	AH145232	1C16	9	20 - 21	AH146043	6F16	..	70 - 89
AH144480	6F19	15	70 - 92	AH145232	6G4	1	70 - 101	AH146043	6F18	11	70 - 91
AH144482	6F19	1	70 - 92	AH145233	7C8	7	80 - 11	AH146116	8G12	..	120 - 17
AH144503	3D13	23	40 - 33	AH145235	4G12	4	50 - 109	AH146196	8H14	14	120 - 45

NUMERICAL INDEX - CONTINUED

PART NO.	GRID	KEY	PAGE	PART NO.	GRID	KEY	PAGE	PART NO.	GRID	KEY	PAGE
AH146197	8C9	1	110 - 7	AH148106	1C9	4	20 - 13	AH149994	8I2	4	120 - 57
AH146198	8C9	2	110 - 7	AH148107	8H14	5	120 - 45	AH150016	9F4	18	121 - 75
AH146207	3C18	9	40 - 13	AH148124	6D22	18	70 - 43	AH150167	8I10	1	120 - 65
AH146208	3C10	3	40 - 5	AH148192	3C12	16	40 - 7	AH150219	1C16	1	20 - 21
AH146208	3C10	24	40 - 5	AH148192	7F14	16	90 - 35	AH150219	6F22	...	70 - 95
AH146214	10C17	15	130 - 15	AH148210	3E22	14	40 - 67	AH150219	6G4	1	70 - 101
AH146216	10C16	6	130 - 14	AH148225	7G1	1	90 - 46	AH150219	6G4	4	70 - 101
AH146218	10C16	2	130 - 14	AH148226	7G1	3	90 - 46	AH150219	7H14	6	90 - 85
AH146221	10C16	1	130 - 14	AH148227	7G1	2	90 - 46	AH150219	7H16	6	90 - 87
AH146221	10C16	3	130 - 14	AH148258	3E10	5	40 - 55	AH150442	7G17	18	90 - 63
AH146222	10C16	1	130 - 14	AH148258	3E18	2	40 - 63	AH150473	3E6	7	40 - 51
AH146234	7G9	1	90 - 55	AH148259	3E10	22	40 - 55	AH150497	8G19	1	120 - 25
AH146309	3F4	6	40 - 73	AH148278	3E12	12	40 - 57	AH150611	5D4	18	60 - 25
AH146322	9I2	8	125 - 65	AH148285	1C12	6	20 - 17	AH150687	6C17	6	70 - 13
AH146352	10D14	21	130 - 37	AH148288	2G16	9	32 - 15	AH151119	8G17	15	120 - 23
AH146359	10E12	19	130 - 59	AH148289	2G18	2	32 - 17	AH151119	8G19	8	120 - 25
AH146359	10F7	2	170 - 4	AH148354	3C12	12	40 - 7	AH151121	8G15	12	120 - 21
AH146361	7D12	4	80 - 39	AH148354	7F14	12	90 - 35	AH151121	8G17	27	120 - 23
AH146461	9E8	28	121 - 55	AH148360	2G16	14	32 - 15	AH151121	8G19	5	120 - 25
AH146462	9E8	31	121 - 55	AH148406	3E10	24	40 - 55	AH151123	7E12	11	90 - 9
AH146463	9E8	4	121 - 55	AH148406	3E14	32	40 - 59	AH151139	1C12	5	20 - 17
AH146492	5C12	2	60 - 9	AH148416	6C15	7	70 - 11	AH151139	1C16	5	20 - 21
AH146506	9E8	4	121 - 55	AH148472	6E8	...	70 - 54	AH151301	6C15	15	70 - 11
AH146509	10C17	9	130 - 15	AH148508	8H24	13	120 - 55	AH151302	8C5	1	110 - 3
AH146621	2G4	23	32 - 3	AH148511	8H24	13	120 - 55	AH151332	8J6	7B	120 - 85
AH146634	1C5	5	20 - 9	AH148616	3D2	2	40 - 21	AH151400	6E10	...	70 - 57
AH146655	8H10	3	120 - 41	AH148616	3D4	2	40 - 23	AH151403	10E8	11	130 - 55
AH146742	7F23	1	90 - 44	AH148649	2G20	4	32 - 19	AH151407	10E4	10	130 - 51
AH146747	7E8	9	90 - 5	AH148893	9D18	14	121 - 41	AH151408	10E4	25	130 - 51
AH146748	7E8	9	90 - 5	AH148990	2G16	7	32 - 15	AH151409	10E4	25	130 - 51
AH146783	7D8	6	80 - 35	AH149088	8C9	2	110 - 7	AH151410	10E4	25	130 - 51
AH146824	8I2	4	120 - 57	AH149180	9I14	30	125 - 77	AH151411	10E4	10	130 - 51
AH147030	7F23	3	90 - 44	AH149182	10C7	5	130 - 5	AH151413	10E8	3	130 - 55
AH147066	7F20	7	90 - 41	AH149183	10C15	6	130 - 13	AH151414	10E8	3	130 - 55
AH147084	6E10	38	70 - 57	AH149184	10C15	6	130 - 13	AH151521	6C15	12	70 - 11
AH147084	6E23	12	70 - 71	AH149200	10C9	5	130 - 7	AH151522	6C15	1	70 - 11
AH147084	6F2	12	70 - 75	AH149201	10C9	5	130 - 7	AH151537	9F21	9	125 - 11
AH147085	6E8	24	70 - 54	AH149242	10C11	18B	130 - 9	AH151539	9F23	13	125 - 13
AH147086	6E14	24	70 - 61	AH149320	10C9	10	130 - 7	AH151598	8C9	1	110 - 7
AH147086	6E15	22	70 - 62	AH149328	8H16	19	120 - 47	AH151653	9C7	1	121 - 5
AH147086	6E17	24	70 - 65	AH149349	3H7	9	40 - 125	AH151770	3D19	17	40 - 39
AH147086	6E19	22	70 - 67	AH149349	8D20	30	110 - 43	AH151770	3D21	4	40 - 41
AH147086	6E21	22	70 - 69	AH149349	8D22	...	110 - 45	AH151770	3D23	1	40 - 43
AH147086	6E23	10	70 - 71	AH149349	8F8	19	110 - 81	AH151770	3D25	11	40 - 45
AH147086	6E23	29	70 - 71	AH149349	8F8	25	110 - 81	AH151772	3D25	1	40 - 45
AH147086	6F2	10A	70 - 75	AH149356	9E8	38	121 - 55	AH151772	3E2	1	40 - 47
AH147086	6F2	10B	70 - 75	AH149357	9E8	7	121 - 55	AH151774	3C8	1	40 - 3
AH147086	6F2	10C	70 - 75	AH149545	8H24	13	120 - 55	AH151775	3E20	20	40 - 65
AH147092	7D18	1B	80 - 45	AH149549	8H24	13	120 - 55	AH151880	10D6	4	130 - 29
AH147097	6E8	25	70 - 54	AH149551	8I8	11	120 - 63	AH152020	3G18	4	40 - 111
AH147097	6E23	13	70 - 71	AH149553	8I10	14	120 - 65	AH152323	7C16	14	80 - 19
AH147097	6F2	13	70 - 75	AH149583	7E18	4	90 - 15	AH152443	3D19	17	40 - 39
AH147153	7F24	1	90 - 45	AH149588	1C16	9	20 - 21	AH152443	3D21	1	40 - 41
AH147201	8H14	14	120 - 45	AH149588	6G4	1	70 - 101	AH152443	3D21	4	40 - 41
AH147353	9F8	3	121 - 79	AH149618	1C16	6	20 - 21	AH152443	3D23	1	40 - 43
AH147479	7C18	7	80 - 21	AH149618	6G4	4	70 - 101	AH152443	3D25	11	40 - 45
AH147544	4C15	1	50 - 10	AH149618	7H16	6	90 - 87	AH152451	3E20	2	40 - 65
AH147545	4C14	4	50 - 9	AH149677	9G6	13	125 - 21	AH152457	3E12	12	40 - 57
AH147545	4C15	9	50 - 10	AH149701	8I18	1	120 - 73	AH152654	10E17	11	130 - 64
AH147555	3C12	7	40 - 7	AH149833	3D11	30	40 - 31	AH152668	3G14	2	40 - 107
AH147555	7F14	7	90 - 35	AH149834	3D11	3	40 - 31	AH152937	8D20	30	110 - 43
AH147584	8I4	6	120 - 59	AH149835	3D11	1	40 - 31	AH152937	8F8	19	110 - 81
AH147743	8J4	13	120 - 83	AH149859	7C18	7	80 - 21	AH153040	9E8	4	121 - 55
AH147935	5D2	9	60 - 23	AH149879	8H18	16	120 - 49	AH153133	3G14	4	40 - 107
AH148028	3E22	20	40 - 67	AH149882	7E12	8	90 - 9	AH153207	3E10	24	40 - 55
AH148106	1C7	4	20 - 11	AH149883	7E12	2B	90 - 9	AH153207	3E14	32	40 - 59
AH148106	1C8	4	20 - 12	AH149921	6G15	47	70 - 113	AH153261	8E17	10	110 - 65

NUMERICAL INDEX - CONTINUED

PART NO.	GRID	KEY	PAGE	PART NO.	GRID	KEY	PAGE	PART NO.	GRID	KEY	PAGE
AH153311	3G14	3	40 - 107	AH156189	7D6	1A	80 - 33	AH159352	3C12	12	40 - 7
AH153332	3C20	26	40 - 15	AH156190	7D20	8	80 - 47	AH159703	8C25	1	110 - 23
AH153341	3H7	9	40 - 125	AH156332	7G5	..	90 - 51	AH159862	7D6	1A	80 - 33
AH153341	8D22	..	110 - 45	AH156333	6D16	22	70 - 37	AH159862	7D6	1B	80 - 33
AH153341	8F8	25	110 - 81	AH156333	10E24	19	160 - 3	AH159984	3C12	7	40 - 7
AH153626	3C6	3	40 - 1	AH156333	10E24	20	160 - 3	AH159984	7F14	7	90 - 35
AH153688	8G19	13	120 - 25	AH156333	10E24	21	160 - 3	AH160086	7C10	1	80 - 13
AH153688	8G23	11	120 - 29	AH156333	10E24	22	160 - 3	AH160115	7F8	1	90 - 29
AH153743	10C11	9	130 - 9	AH156374	8C9	2	110 - 7	AH160136	5C14	2	60 - 11
AH153744	10C11	9	130 - 9	AH156375	8C9	1	110 - 7	AH160136	5C16	1	60 - 13
AH153796	7E20	1	90 - 17	AH156377	8C5	1	110 - 3	AH160136	5C18	32	60 - 15
AH153808	8I2	4	120 - 57	AH156388	6C13	8	70 - 9	AH160426	9F23	13	125 - 13
AH153815	3F20	2	40 - 89	AH156406	8C5	2	110 - 3	AH160469	7E22	3	90 - 19
AH153819	8C5	2	110 - 3	AH156413	10D22	5	130 - 45	AH160472	7E22	2	90 - 19
AH153910	3C6	6	40 - 1	AH156594	10C9	5	130 - 7	AH160473	7E22	2	90 - 19
AH153911	7E12	1	90 - 9	AH156595	10C9	5	130 - 7	AH160474	7E22	2	90 - 19
AH154065	7F20	7	90 - 41	AH156626	4C14	4	50 - 9	AH160475	7E22	2	90 - 19
AH154151	3C6	7	40 - 1	AH156727	7G5	..	90 - 51	AH160622	10D6	27	130 - 29
AH154237	7C10	1	80 - 13	AH156808	10C9	5	130 - 7	AH160745	4E7	28	50 - 52
AH154277	3C10	4	40 - 5	AH156809	10C9	5	130 - 7	AH160745	4E8	28	50 - 53
AH154278	3D11	5	40 - 31	AH156975	8D16	3	110 - 39	AH160785	4E2	2	50 - 47
AH154278	3D13	10	40 - 33	AH157029	7E22	8	90 - 19	AH160785	4E2	8	50 - 47
AH154280	7E16	8	90 - 13	AH157168	8D14	16	110 - 37	AH160785	4E2	..	50 - 47
AH154573	3C10	3	40 - 5	AH157306	8C9	4	110 - 7	AH160785	4E4	4	50 - 49
AH154573	3C10	24	40 - 5	AH157415	8D14	18	110 - 37	AH160785	4E4	8	50 - 49
AH154697	9D12	4	121 - 35	AH157492	6D14	2C	70 - 35	AH160785	4E4	12	50 - 49
AH154737	8F16	16	110 - 89	AH157492	8C9	4	110 - 7	AH160785	4E4	15	50 - 49
AH154875	7C18	7	80 - 21	AH157557	7G13	3	90 - 59	AH160785	4E4	19	50 - 49
AH154920	10D6	27	130 - 29	AH157634	7G13	1	90 - 59	AH160785	4E4	..	50 - 49
AH154965	10E12	5	130 - 59	AH157725	10D10	1	130 - 33	AH160785	4E5	10	50 - 50
AH154966	10E12	6	130 - 59	AH157934	8F4	6	110 - 77	AH160785	4E5	..	50 - 50
AH155077	8F16	16	110 - 89	AH157942	8D4	1	110 - 27	AH160785	4E8	..	50 - 53
AH155275	8D18	1	110 - 41	AH157942	8D6	6	110 - 29	AH160785	4H2	3	50 - 123
AH155275	8H12	16	120 - 43	AH157973	6E3	6	70 - 48	AH160785	4H2	6	50 - 123
AH155348	8D16	13	110 - 39	AH158038	3G22	1	40 - 115	AH160994	9I16	15	125 - 79
AH155480	10D22	3B	130 - 45	AH158103	10D10	1	130 - 33	AH161016	8C25	9	110 - 23
AH155483	3E14	38	40 - 59	AH158104	10D10	1	130 - 33	AH161016	8C25	10	110 - 23
AH155494	8G17	19	120 - 23	AH158113	10D6	4	130 - 29	AH161335	3C12	7	40 - 7
AH155523	3E12	12	40 - 57	AH158148	8C15	1	110 - 13	AH161400	8G12	17	120 - 17
AH155577	3C12	18	40 - 7	AH158310	3F11	4	40 - 80	AH161405	8G12	17	120 - 17
AH155577	7F14	18	90 - 35	AH158487	7D20	8	80 - 47	AH161407	8G12	17	120 - 17
AH155657	8D14	1	110 - 37	AH158514	3F11	5	40 - 80	AH161409	8G12	17	120 - 17
AH155659	8D12	13	110 - 35	AH158604	3F18	10	40 - 87	AH161410	8G12	17	120 - 17
AH155669	7D24	23	80 - 51	AH158605	7D6	1A	80 - 33	AH161463	2G18	1	32 - 17
AH155703	8D14	6	110 - 37	AH158605	7D6	1B	80 - 33	AH161463	2G18	2	32 - 17
AH155706	8D14	3	110 - 37	AH158635	8E19	35	110 - 67	AH161485	5C18	31	60 - 15
AH155707	8D14	3	110 - 37	AH158635	8E21	34	110 - 69	AH161818	8G12	..	120 - 17
AH155707	8D16	16	110 - 39	AH158635	9I7	10	125 - 70	AH161838	3E16	4	40 - 61
AH155715	8D16	7	110 - 39	AH158635	10C9	10	130 - 7	AH161839	3E16	3	40 - 61
AH155739	8D12	9	110 - 35	AH158658	4D1	1	50 - 21	AH161929	7F20	2	90 - 41
AH155820	3E14	37	40 - 59	AH158660	4D1	1	50 - 21	AH162068	9D2	4	121 - 25
AH155821	3E14	37	40 - 59	AH158662	4D1	1	50 - 21	AH162145	6F4	..	70 - 77
AH155833	8D14	26	110 - 37	AH158689	3E12	12	40 - 57	AH162251	8I22	1	120 - 77
AH155928	3C12	19	40 - 7	AH158849	7D6	5	80 - 33	AH162400	10D18	1	130 - 41
AH155928	7F14	19	90 - 35	AH158880	10E16	45	130 - 63	AH162441	10C9	10	130 - 7
AH156049	8D22	..	110 - 45	AH158880	10F8	4	170 - 5	AH162469	9D24	30	121 - 47
AH156051	9D22	20	121 - 45	AH159053	8D6	19	110 - 29	AH162469	9E2	16	121 - 49
AH156051	9E6	27	121 - 53	AH159053	8D14	14	110 - 37	AH162573	5E2	19	60 - 49
AH156051	9E18	7	121 - 65	AH159054	8D6	19	110 - 29	AH162581	3E22	14	40 - 67
AH156051	9I12	14	125 - 75	AH159054	8D14	14	110 - 37	AH162724	8C17	16	110 - 15
AH156051	10C11	11	130 - 9	AH159079	7E6	10	90 - 3	AH162797	8G12	26	120 - 17
AH156066	8C5	3	110 - 3	AH159105	3F18	12	40 - 87	AH162821	8G12	26	120 - 17
AH156066	8C7	4	110 - 5	AH159185	7E22	8	90 - 19	AH162827	8G12	26	120 - 17
AH156066	8C9	3	110 - 7	AH159186	7E22	8	90 - 19	AH162833	8G12	26	120 - 17
AH156177	9I6	25	125 - 69	AH159187	7E22	8	90 - 19	AH162914	2G4	25	32 - 3
AH156186	7C20	3	80 - 23	AH159188	7E22	8	90 - 19	AH163354	7D2	7	80 - 29
AH156187	7C20	3	80 - 23	AH159233	8D22	34	110 - 45	AH163354	7D2	10	80 - 29

NUMERICAL INDEX - CONTINUED

PART NO.	GRID	KEY	PAGE	PART NO.	GRID	KEY	PAGE	PART NO.	GRID	KEY	PAGE
AH163526	3C12	7	40-7	AH77279	3E8	23	40-53	AH89557	3C22	2	40-17
AH163526	7F14	7	90-35	AH77279	3H7	3	40-125	AH89557	3C24	2	40-19
AH163686	9F2	27	121-73	AH77279	9D2	11	121-25	AH89557	3D2	5	40-21
AH163686	9F4	26	121-75	AH77714	10C21	8	130-19	AH89557	3D4	4	40-23
AH163708	7G17	8	90-63	AH77724	3E8	16	40-53	AH89557	3D19	6	40-39
AH163762	8H18	5	120-49	AH77724	4D3	23	50-23	AH89557	3D21	12	40-41
AH163762	8H18	7	120-49	AH77724	7F16	23	90-37	AH89557	3D23	6	40-43
AH163802	9C17	20	121-15	AH77724	7H12	15	90-83	AH89557	3D25	2	40-45
AH163802	9D4	46	121-27	AH77869	6C20	7	70-16	AH89557	3D25	8	40-45
AH163920	8G12	..	120-17	AH77869	6D12	14	70-33	AH89557	3E2	12	40-47
AH163921	8G12	..	120-17	AH77869	7H12	9	90-83	AH89557	3E6	15	40-51
AH163931	9E6	3	121-53	AH77884	4G18	17	50-115	AH89557	3E8	14	40-53
AH163931	10F8	3	170-5	AH77884	10C5	31	130-3	AH89557	3E8	23	40-53
AH163979	3E20	18	40-65	AH78124	6C20	8	70-16	AH89557	3E10	4	40-55
AH163979	10D22	3A	130-45	AH78125	6C13	3	70-9	AH89557	3E10	15	40-55
AH163979	10D22	7	130-45	AH78125	7H12	15	90-83	AH89557	3E20	15	40-65
AH164364	7C18	7	80-21	AH80335	7E8	7	90-5	AH89557	3E22	6	40-67
AH164497	3G20	12	40-113	AH80335	7E16	18	90-13	AH89557	3E22	18	40-67
AH164499	3E20	2	40-65	AH80335	8I12	17	120-67	AH89557	3F12	2	40-81
AH164609	10E14	11	130-61	AH80335	10D6	11	130-29	AH89557	3G18	6	40-111
AH164868	10C23	20	130-21	AH80384	9D12	4	121-35	AH89557	3G24	2	40-117
AH164868	10C23	24	130-21	AH80916	4C10	19	50-5	AH89557	3H2	4	40-119
AH165768	9F15	12	125-5	AH80916	4C12	10	50-7	AH89557	3H4	3	40-121
AH165877	3G22	1	40-115	AH81167	6C11	..	70-7	AH89557	3H7	6	40-125
AH165936	9G2	25	125-17	AH83545	9H12	8	125-51	AH89557	5C22	4	60-19
AH165936	9G6	10	125-21	AH84241	8E19	5	110-67	AH89557	7C10	8	80-13
AH165937	9G4	41	125-19	AH84695	4F3	5	50-74	AH89557	7E6	14	90-3
AH165937	9G6	1	125-21	AH84695	4F4	5	50-75	AH89557	8C25	20	110-23
AH165990	7E24	28	90-21	AH85276	9I12	8	125-75	AH89557	8E25	10	110-73
AH165990	7F2	16	90-23	AH85415	9G14	17	125-29	AH89557	10F2	2	160-5
AH166713	7D14	1	80-41	AH86596	4D12	7	50-33	AH89557	10F2	4	160-5
AH166713	10D8	30	130-31	AH86866	5E10	8	60-58	AH89557	10F2	7	160-5
AH166714	7D16	1	80-43	AH86897	9I7	12	125-70	AH89574	3H4	8	40-121
AH166714	10D8	18	130-31	AH87141	9D4	30	121-27	AH89918	9G2	39	125-17
AH166953	6E5	12	70-51	AH87272	7C10	12	80-13	AH90499	6G15	21	70-113
AH167132	9F8	3	121-79	AH87765	9I7	10	125-70	AH90683	6G19	17	70-117
AH167433	10D14	31	130-37	AH87790	6E3	5	70-48	AH90684	6G19	18	70-117
AH167434	5E9	4	60-57	AH87806	3C16	3	40-11	AH90687	6G19	..	70-117
AH167553	6F19	..	70-92	AH88920	8D8	10	110-31	AH90688	6G18	..	70-116
AH167582	5E10	1	60-58	AH88920	8D10	2	110-33	AH90963	10D14	3	130-37
AH167584	5E9	4	60-57	AH89427	8F2	9	110-75	AH90990	3C20	36	40-15
AH167847	10E12	5	130-59	AH89486	2G18	10	32-17	AH90990	3D23	5	40-43
AH167848	10E12	6	130-59	AH89486	3C22	4	40-17	AH90990	3E2	8	40-47
AH168093	10D10	..	130-33	AH89486	3C24	4	40-19	AH90990	3E10	18	40-55
AH168158	8J4	3	120-83	AH89486	3D2	12	40-21	AH90990	3F14	6	40-83
AH168158	8J4	5	120-83	AH89486	3D4	11	40-23	AH90990	3F16	6	40-85
AH168158	8J4	14	120-83	AH89486	3D21	18	40-41	AH90990	3F18	6	40-87
AH168300	10D14	37	130-37	AH89486	3D23	9	40-43	AH90990	3F20	16	40-89
AH168683	9C15	18	121-13	AH89486	3E10	3	40-55	AH90990	4G12	15	50-109
AH168934	7C6	22A	80-9	AH89486	3E10	15	40-55	AH90990	6C17	1	70-13
AH168934	7C6	22B	80-9	AH89486	3E12	11	40-57	AH90990	9C13	10	121-11
AH168947	9F15	12	125-5	AH89486	3E20	16	40-65	AH90990	9C15	21	121-13
AH169220	9F2	36	121-73	AH89486	3F13	2	40-82	AH93110	8D22	35	110-45
AH169220	9F4	35	121-75	AH89486	3F20	8	40-89	AH93318	9E22	14	121-69
AH169233	9I6	25	125-69	AH89486	5D4	11	60-25	AH93318	9E24	12	121-71
AH20849	2G16	17	32-15	AH89486	6D4	26	70-25	AH93892	5E2	9	60-49
AH20868	4D6	19	50-27	AH89486	6F10	8	70-83	AH94450	8E4	11	110-51
AH20868	9C19	25	121-17	AH89486	7H2	11	90-73	AH94450	8E6	11	110-53
AH21815	10C23	19	130-21	AH89486	7H8	3A	90-79	AH94450	9E4	14	121-51
AH64349	7I2	1	90-99	AH89486	7H12	11	90-83	AH94450	9E18	10	121-65
AH64610	5E10	1	60-58	AH89486	9C13	10	121-11	AH94450	10C25	5	130-23
AH75167	6C13	2	70-9	AH89496	8C5	31	110-3	AH94661	10E14	3	130-61
AH75167	6C20	1	70-16	AH89496	8C7	25	110-5	AH94853	9D4	21	121-27
AH75167	6C23	7	70-19	AH89557	2D2	12	30-20	AH94854	8F4	8	110-77
AH75167	9H16	11	125-55	AH89557	2G8	4	32-7	AH94854	9D18	15	121-41
AH75167	9H18	15	125-57	AH89557	2G22	7	32-21	AH96088	6G15	17	70-113
AH76882	9H10	9	125-49	AH89557	3C8	4	40-3	AH96090	6G15	2	70-113

NUMERICAL INDEX - CONTINUED

PART NO.	GRID	KEY	PAGE	PART NO.	GRID	KEY	PAGE	PART NO.	GRID	KEY	PAGE
AH96090	6G15	3	70 - 113	AN102382	8E2	3	110 - 49	AR28403	3C16	11	40 - 11
AH96090	6G15	6	70 - 113	AN102383	8E2	1	110 - 49	AR31674	6G15	49	70 - 113
AH96090	6G15	7	70 - 113	AN102383	8E7	6	110 - 54	AR31790	1E12	..	25 - 30
AH96090	6G15	9	70 - 113	AN113330	8D22	29	110 - 45	AR31790	2D7	..	30 - 25
AH96090	6G15	10	70 - 113	AN12151	8D22	19	110 - 45	AR40418	2D15	20	30 - 33
AH96090	6G15	11	70 - 113	AN122493	4E4	28	50 - 49	AR41785	1D9	..	25 - 2
AH96090	6G15	12	70 - 113	AN122494	4E10	11	50 - 55	AR41785	2C9	..	30 - 2
AH96090	6G15	15	70 - 113	AN122497	4E14	11	50 - 59	AR42591	3E22	12	40 - 67
AH96090	6G15	16	70 - 113	AN122498	4E7	5	50 - 52	AR44402	1D9	1	25 - 2
AH96090	6G15	20	70 - 113	AN122498	4E8	5	50 - 53	AR44402	2C9	1	30 - 2
AH96090	6G15	..	70 - 113	AN122499	4E10	12	50 - 55	AR48236	2G8	1	32 - 7
AH96091	8F4	23	110 - 77	AN122502	4E4	22	50 - 49	AR48236	2G22	2	32 - 21
AH96244	9D2	19	121 - 25	AN122506	4E4	13	50 - 49	AR48236	6C19	12	70 - 15
AH96292	1C5	14	20 - 9	AN122507	4E4	34	50 - 49	AR48675	1F5	14	25 - 48
AH96292	1C5	15A	20 - 9	AN122507	4E12	19	50 - 57	AR48675	1F6	13	25 - 49
AH96317	2G18	10	32 - 17	AN122509	4E4	35	50 - 49	AR48675	2D19	14	30 - 37
AH96317	3C22	4	40 - 17	AN122509	4E12	18	50 - 57	AR48751	1C10	4	20 - 14
AH96317	3C24	4	40 - 19	AN122518	4E4	32	50 - 49	AR49025	1D22	1	25 - 15
AH96317	3D2	12	40 - 21	AN122518	6E10	21	70 - 57	AR49025	1E4	9	25 - 22
AH96317	3D4	11	40 - 23	AN142665	8D16	6	110 - 39	AR49025	1E5	9	25 - 23
AH96317	3D19	18	40 - 39	AN15237	9E22	10	121 - 69	AR49025	2C20	1	30 - 13
AH96317	3D21	18	40 - 41	AN15237	10C25	8	130 - 23	AR49025	2D2	1	30 - 20
AH96317	3D23	9	40 - 43	AN152995	7D22	7	80 - 49	AR49352	3G18	9	40 - 111
AH96317	3E10	3	40 - 55	AN191560	2G20	4	32 - 19	AR50411	2D24	1	30 - 42
AH96317	3E10	15	40 - 55	AN192773	7F22	7	90 - 43	AR51481	5D4	1	60 - 25
AH96317	3E20	16	40 - 65	AN193084	4E10	25	50 - 55	AR51481	7H2	1	90 - 73
AH96317	3F13	2	40 - 82	AN193085	4E2	23	50 - 47	AR52206	1E25	3	25 - 43
AH96317	3F20	8	40 - 89	AN193085	4E2	27	50 - 47	AR52206	1F4	1	25 - 47
AH96317	5D4	11	60 - 25	AN193085	4E2	28	50 - 47	AR54749	1D9	4	25 - 2
AH96317	6D4	26	70 - 25	AN193085	4E12	39	50 - 57	AR54749	2C9	4	30 - 2
AH96317	6F10	8	70 - 83	AN193085	4E12	41	50 - 57	AR54990	1H1	4	25 - 97
AH96317	7H2	11	90 - 73	AN193085	4E12	44	50 - 57	AR54992	1H1	7	25 - 97
AH96317	7H8	3A	90 - 79	AN272356	4E14	9	50 - 59	AR54997	1G23	4	25 - 94
AH96317	7H12	11	90 - 83	AN31004	8D22	37	110 - 45	AR55394	1F3	6	25 - 46
AH96317	9C13	10	121 - 11	AN50684	8F2	26	110 - 75	AR55946	1H2	18	25 - 98
AH96317	9I18	2	125 - 81	AN71222	8J4	7	120 - 83	AR55947	1H1	17	25 - 97
AH96317	9I20	2	125 - 83	AP23601	9G2	39	125 - 17	AR56639	1E15	17	25 - 33
AH96345	8D20	21	110 - 43	AR100124	1E12	1	25 - 30	AR56671	3F20	13	40 - 89
AH96359	6E10	36	70 - 57	AR100124	2D7	1	30 - 25	AR56766	3C20	32	40 - 15
AH96359	6E12	..	70 - 59	AR101278	1E23	2	25 - 41	AR58952	1F3	7	25 - 46
AH96359	6E14	..	70 - 61	AR104516	3D17	11	40 - 37	AR58952	1G17	39	25 - 87
AH96359	6E17	..	70 - 65	AR104520	3D17	12	40 - 37	AR60499	9C17	21	121 - 15
AH96446	6G17	9	70 - 115	AR104650	1F17	31	25 - 61	AR60499	9D4	47	121 - 27
AH96585	10D14	5	130 - 37	AR104650	1F21	31	25 - 65	AR61533	1D12	28	25 - 5
AH97031	9D4	7	121 - 27	AR104650	2E7	22	30 - 51	AR61533	1D14	29	25 - 7
AH97031	9D22	10	121 - 45	AR104650	2E7	31	30 - 51	AR61533	2C12	25	30 - 5
AH97031	9I12	8	125 - 75	AR104650	2E9	22	30 - 53	AR61589	1D12	26	25 - 5
AH97280	5D14	11	60 - 35	AR104650	2E9	31	30 - 53	AR61589	1D14	27	25 - 7
AH97280	5D16	11	60 - 37	AR105510	1E23	7	25 - 41	AR61589	2C12	23	30 - 5
AH97280	6D12	2	70 - 33	AR150551	5D2	17	60 - 23	AR62399	1C14	7	20 - 19
AH97340	8E6	2	110 - 53	AR21837	2G4	5	32 - 3	AR62399	2D24	2	30 - 42
AH97642	8D20	30	110 - 43	AR21837	2G8	5	32 - 7	AR62399	2D24	3	30 - 42
AH97642	8F8	17	110 - 81	AR21837	7I2	3	90 - 99	AR62399	2D24	5	30 - 42
AH97642	8F8	19	110 - 81	AR21837	9E2	10	121 - 49	AR62407	3C14	1	40 - 9
AH97920	5D6	34	60 - 27	AR21839	1F11	10	25 - 55	AR62492	2D24	8	30 - 42
AH97920	7H4	34	90 - 75	AR21839	2D23	7	30 - 41	AR63218	1D8	1	25 - 1
AH98118	10E14	1	130 - 61	AR21839	2G4	5	32 - 3	AR63218	2C8	1	30 - 1
AH98176	9I10	7	125 - 73	AR21839	2G8	5	32 - 7	AR63219	1D8	1	25 - 1
AH98901	3E22	14	40 - 67	AR21840	2G18	6	32 - 17	AR63219	2C8	1	30 - 1
AL14674	8H16	22	120 - 47	AR21840	2G20	1	32 - 19	AR63222	1D8	1	25 - 1
AL14674	9E4	50	121 - 51	AR21842	7H12	20	90 - 83	AR63222	2C8	1	30 - 1
AL2976T	3G6	20	40 - 99	AR21969	1D9	..	25 - 2	AR63979	1D8	1	25 - 1
AM103480	9G16	4	125 - 31	AR21969	2C9	..	30 - 2	AR63979	2C8	1	30 - 1
AM105171	3E14	28B	40 - 59	AR21999	2G20	1	32 - 19	AR65005	3G16	1	40 - 109
AM108845	3D4	18	40 - 23	AR21999	2G20	13	32 - 19	AR65006	3G16	2	40 - 109
AM108923	9G16	4	125 - 31	AR21999	7H8	27	90 - 79	AR65293	2G14	6	32 - 13
AM53945	3E14	28A	40 - 59	AR21999	7I2	27	90 - 99	AR65293	2G18	6	32 - 17

NUMERICAL INDEX - CONTINUED

PART NO.	GRID	KEY	PAGE	PART NO.	GRID	KEY	PAGE	PART NO.	GRID	KEY	PAGE
AR66778	1H1	19	25 - 97	AR79548	3D15	1	40 - 35	AT130104	3G21	1	40 - 114
AR67827	1H1	9	25 - 97	AR79549	3D15	17	40 - 35	AT131716	2G16	8	32 - 15
AR68430	1H1	14	25 - 97	AR79550	3D15	11	40 - 35	AT135485	3C16	13	40 - 11
AR70106	2G14	17	32 - 13	AR81313	2G14	18	32 - 13	AT135485	3C16	17	40 - 11
AR70106	2G16	16	32 - 15	AR81825	1G6	1	25 - 75	AT13740	1D12	1	25 - 5
AR70107	2G14	20	32 - 13	AR81825	2F1	1	30 - 70	AT13740	1D14	1	25 - 7
AR70107	2G16	19	32 - 15	AR84006	3G6	40	40 - 99	AT13740	2C12	1	30 - 5
AR71107	7F22	1	90 - 43	AR85519	1F17	21	25 - 61	AT13740	2D15	13	30 - 33
AR71108	7F22	18	90 - 43	AR85519	1F19	21	25 - 63	AT13740	2D19	5	30 - 37
AR71109	7F22	19	90 - 43	AR85519	1F21	21	25 - 65	AT13740	2G4	14	32 - 3
AR71850	1D12	14	25 - 5	AR85519	1F23	21	25 - 67	AT13740	2G8	23	32 - 7
AR71850	1D14	14	25 - 7	AR85519	2E7	20	30 - 51	AT13740	2G20	6	32 - 19
AR71850	1E8	2	25 - 26	AR85519	2E7	33	30 - 51	AT141987	3D13	8	40 - 33
AR73144	3F14	16	40 - 83	AR85519	2E9	20	30 - 53	AT146272	9C19	9	121 - 17
AR73144	3F16	16	40 - 85	AR85519	2E9	33	30 - 53	AT146272	9C21	5	121 - 19
AR73144	3F18	16	40 - 87	AR86539	4E19	3	50 - 65	AT162597	2G22	9	32 - 21
AR73234	2G14	19	32 - 13	AR86539	4E25	3	50 - 71	AT162848	7H12	17	90 - 83
AR73234	2G16	15	32 - 15	AR86603	2G18	1	32 - 17	AT16887	9C19	1	121 - 17
AR73277	1D23	7	25 - 16	AR87663	1G6	10	25 - 75	AT18904	1C18	2	20 - 23
AR73277	2C22	7	30 - 15	AR88903	1G4	17	25 - 73	AT18904	2G4	5	32 - 3
AR73278	1D23	7	25 - 16	AR88903	1G4	20	25 - 73	AT18904	2G8	5	32 - 7
AR73278	2C22	7	30 - 15	AR88903	2E5	19	30 - 49	AT18904	3G20	5	40 - 113
AR73279	1D22	1	25 - 15	AR88903	2E11	19	30 - 55	AT207952	3F4	13	40 - 73
AR73279	1D23	7	25 - 16	AR88903	2E13	19	30 - 57	AT22070	7F4	1	90 - 25
AR73279	2C20	1	30 - 13	AR88903	2E15	19	30 - 59	AT22073	7F4	3	90 - 25
AR73279	2C22	7	30 - 15	AR88903	2E19	19	30 - 63	AT25226	4C14	5	50 - 9
AR73280	1D23	7	25 - 16	AR88903	2E21	19	30 - 65	AT25226	5E9	9	60 - 57
AR73280	2C22	7	30 - 15	AR90070	1H2	21	25 - 98	AT25226	5E10	7	60 - 58
AR73281	1D23	7	25 - 16	AR90369	9E2	8	121 - 49	AT25266	1F8	11	25 - 51
AR73281	2C22	7	30 - 15	AR90861	9D24	19	121 - 47	AT26407	3C20	34	40 - 15
AR73627	1D23	8	25 - 16	AR91793	3G4	42	40 - 97	AT27126	3F2	12	40 - 71
AR73863	1G5	13	25 - 74	AR93173	1E12	4	25 - 30	AT27127	3F2	15	40 - 71
AR73863	1G9	13	25 - 78	AR93173	2D7	4	30 - 25	AT28975	9C5	16	121 - 3
AR74021	1E8	1	25 - 26	AR93341	1D23	6	25 - 16	AT32335	1F25	16	25 - 69
AR74814	1E1	3	25 - 19	AR93341	2C22	6	30 - 15	AT32335	1G2	14	25 - 71
AR74814	2C24	3	30 - 17	AR93518	1E25	13	25 - 43	AT32335	1G4	22	25 - 73
AR74815	1E1	3	25 - 19	AR93518	1F2	6	25 - 45	AT32335	2E17	22	30 - 61
AR74815	2C24	3	30 - 17	AR94522	6C23	6	70 - 19	AT36212	4C15	10	50 - 10
AR74816	1D22	1	25 - 15	AR94522	6D2	32	70 - 23	AT37368	3E12	9	40 - 57
AR74816	1E1	3	25 - 19	AR94522	9H16	13	125 - 55	AT37476	1C12	13	20 - 17
AR74816	2C20	1	30 - 13	AR94522	9H18	16	125 - 57	AT37478	1F8	5	25 - 51
AR74816	2C24	3	30 - 17	AR94761	4D6	6	50 - 27	AT37693	1F8	1	25 - 51
AR74817	1E1	3	25 - 19	AR95426	1E3	4	25 - 21	AT39043	3D19	1	40 - 39
AR74817	2C24	3	30 - 17	AR95426	2D1	4	30 - 19	AT39141	1C12	1	20 - 17
AR74818	1E1	3	25 - 19	AR95758	2G16	16	32 - 15	AT39623	2G10	12	32 - 9
AR74818	2C24	3	30 - 17	AR95758	2G16	19	32 - 15	AT39623	3E12	20	40 - 57
AR75693	5D2	17	60 - 23	AR95759	2G16	19	32 - 15	AT40603	4D10	1	50 - 31
AR77114	1G8	8	25 - 77	AR96189	1D25	5	25 - 18	AT47901	9C19	16	121 - 17
AR77114	1G15	8	25 - 85	AR96190	1E15	14	25 - 33	AT48334	9C11	20	121 - 9
AR77747	1E1	1	25 - 19	AR96190	1E17	12	25 - 35	AT48334	9C13	18	121 - 11
AR77747	2C24	1	30 - 17	AR96190	1E19	9	25 - 37	AT53439	2G16	2	32 - 15
AR77748	1E1	2	25 - 19	AR98329	1E23	1	25 - 41	AT57288	2G10	11	32 - 9
AR77748	2C24	2	30 - 17	AR98329	1E23	2	25 - 41	AT63170	7H12	17	90 - 83
AR77749	1E1	2	25 - 19	AR98329	1E23	3	25 - 41	AT63272	4E5	4	50 - 50
AR77749	2C24	2	30 - 17	AR98850	1D23	9	25 - 16	AT63272	4E5	5	50 - 50
AR77750	1D22	1	25 - 15	AR98850	1G17	42	25 - 87	AT63272	4E5	9	50 - 50
AR77750	1E1	2	25 - 19	AR98850	2C22	9	30 - 15	AT66481	3D13	7	40 - 33
AR77750	2C20	1	30 - 13	AR99341	1E17	12	25 - 35	AT66865	1D9	4	25 - 2
AR77750	2C24	2	30 - 17	AR99341	1E19	9	25 - 37	AT66865	2C9	4	30 - 2
AR77751	1E1	2	25 - 19	AT103553	2G18	4	32 - 17	AT73296	1C5	2	20 - 9
AR77751	2C24	2	30 - 17	AT104021	2G22	9	32 - 21	AT73296	1C14	1	20 - 19
AR77752	1E1	2	25 - 19	AT104113	2G16	8	32 - 15	AT74407	2G18	1	32 - 17
AR77752	2C24	2	30 - 17	AT106413	2G22	4	32 - 21	AT74407	2G18	2	32 - 17
AR77753	1D22	1	25 - 15	AT107509	1E11	14	25 - 29	AT75941	5C24	..	60 - 21
AR77753	1E1	1	25 - 19	AT107509	2D5	11	30 - 23	AT81268	2G6	13	32 - 5
AR77753	2C20	1	30 - 13	AT112176	2G16	6	32 - 15	AT81476	2G6	12	32 - 5
AR77753	2C24	1	30 - 17	AT125596	7H12	17	90 - 83	AT81477	2G6	10	32 - 5

1K5

9500 AND SIDEHILL 9500 MAXIMIZER™ COMBINES

NUMERICAL INDEX - CONTINUED

PART NO.	GRID	KEY	PAGE	PART NO.	GRID	KEY	PAGE	PART NO.	GRID	KEY	PAGE
AT81478	2G6	11	32 - 5	A2913R	10G14	5	170 - 36	BH78486	8G17	..	120 - 23
AT85197	6H8	10	70 - 131	A31867	5E6	8	60 - 54	BH78496	8G17	..	120 - 23
AU40993	4F3	2	50 - 74	A31867	5E7	8	60 - 55	BH78575	8I2	..	120 - 57
AU40993	4F4	2	50 - 75	A31867	7C22	28	80 - 25	BH78623	9E6	..	121 - 53
AU43853	3D13	4	40 - 33	A31867	8E6	10	110 - 53	BH79019	6C13	..	70 - 9
AU43857	3D13	9	40 - 33	A31867	8G17	3	120 - 23	BH79019	6C20	..	70 - 16
AW12765	5C21	1	60 - 18	A31869	10E16	7	130 - 63	BH79118	3E12	..	40 - 57
AW14891	6G20	2	70 - 118	A31870	8E13	3	110 - 61	BH79118	3E14	..	40 - 59
AZ10044	1B23	6	20 - 1	A31870	8F2	14	110 - 75	BH79239	9D6	..	121 - 29
AZ10044	1B25	36	20 - 3	A31870	8F10	9	110 - 83	BH79481	8I22	..	120 - 77
AZ10044	8H16	5	120 - 47	A31870	9I2	23	125 - 65	BH79485	3C20	..	40 - 15
AZ10044	9I16	4	125 - 79	A31871	8E15	1	110 - 63	BH79485	3F22	..	40 - 91
AZ10044	9I16	12	125 - 79	A31871	10E16	15	130 - 63	BH79685	8H20	..	120 - 51
AZ10044	9I16	22	125 - 79	A3581R	10C25	18	130 - 23	BH79685	8H22	..	120 - 53
AZ10044	10C5	3	130 - 3	A37553	8D10	8	110 - 33	BH79709	8F14	..	110 - 87
AZ10045	9I2	3	125 - 65	A37576	8I10	3	120 - 65	BH79711	3C16	..	40 - 11
AZ10045	9I14	13	125 - 77	A3917R	4E10	24	50 - 55	BH79773	8H22	..	120 - 53
AZ10045	10C5	9	130 - 3	A3917R	5C6	3	60 - 3	BH79815	9H6	..	125 - 45
AZ10045	10C13	2	130 - 11	A3917R	6G15	11	70 - 113	BH79821	7D24	..	80 - 51
AZ19427	8D14	15	110 - 37	A4365R	1D12	25	25 - 5	BH79825	4G21	..	50 - 118
AZ19427	8J6	5	120 - 85	A4365R	1D14	26	25 - 7	BH79902	3F22	..	40 - 91
AZ20216	9E20	15	121 - 67	A4365R	2C12	22	30 - 5	BH79903	4F3	..	50 - 74
AZ31008	7F6	2	90 - 27	A44990	8C9	15	110 - 7	BH79904	4G22	..	50 - 119
AZ31008	7F8	4	90 - 29	A44990	9I6	34	125 - 69	BH79904	4H7	..	50 - 128
AZ31008	7F10	4	90 - 31	A4655R	6E8	1	70 - 54	BH79964	4F17	..	50 - 89
AZ42315	7F6	2	90 - 27	A4655R	6E10	1	70 - 57	BH79964	4G4	..	50 - 101
AZ42315	7F8	4	90 - 29	A4655R	6E12	1	70 - 59	BH79964	4G6	..	50 - 103
AZ42315	7F10	4	90 - 31	A4655R	6E14	1	70 - 61	BH79970	3F22	..	40 - 91
AZ47075	6E14	13	70 - 61	A4655R	6E15	1	70 - 62	BH80002	4E15	..	50 - 61
AZ47075	6E14	24	70 - 61	A4655R	6E17	1	70 - 65	BH80002	4F5	..	50 - 76
AZ47075	6E15	13	70 - 62	A4655R	6E19	1	70 - 67	BH80002	4G4	..	50 - 101
AZ47075	6E15	22	70 - 62	A4655R	6E21	1	70 - 69	BH80002	4G6	..	50 - 103
AZ47075	6E17	24	70 - 65	A4655R	6E23	21	70 - 71	BH80002	4G16	..	50 - 113
AZ47075	6E19	22	70 - 67	A4655R	6F2	21	70 - 75	BH80002	4G22	..	50 - 119
AZ47075	6E21	22	70 - 69	A4730R	9C15	20	121 - 13	BH80002	4H7	..	50 - 128
AZ47075	6E23	10	70 - 71	A4741R	7G23	3	90 - 69	BH80006	9G14	..	125 - 29
AZ47075	6E23	29	70 - 71	A4925R	2D13	4	30 - 31	BH80037	7D24	..	80 - 51
AZ47075	6F2	10A	70 - 75	A4925R	2D23	6	30 - 41	BH80064	9G10	..	125 - 25
AZ47075	6F2	10B	70 - 75	A50743	3H7	7	40 - 125	BH80066	10C5	..	130 - 3
AZ47075	6F2	10C	70 - 75	A50743	8D12	4	110 - 35	BH80074	9G10	..	125 - 25
AZ49140	7F6	2	90 - 27	A50744	1B23	14	20 - 1	BH80122	9F2	..	121 - 73
AZ49140	7F8	4	90 - 29	A50744	1B25	27	20 - 3	BH80127	9E22	..	121 - 69
AZ49140	7F10	4	90 - 31	A50744	5D22	8	60 - 43	BH80127	9G6	..	125 - 21
AZ49144	6E3	2	70 - 48	A51212	9F21	8	125 - 11	BH80127	9G8	..	125 - 23
AZ51581	6E19	..	70 - 67	A51212	9F23	8	125 - 13	BH80127	9G10	..	125 - 25
AZ51851	6E10	36	70 - 57	BH71710	9I6	..	125 - 69	BH80129	8H16	..	120 - 47
AZ51851	6E12	..	70 - 59	BH71710	10C5	..	130 - 3	BH80129	8H18	..	120 - 49
AZ51851	6E14	..	70 - 61	BH71726	5E9	..	60 - 57	BH80144	8H16	..	120 - 47
AZ51851	6E15	..	70 - 62	BH71727	5E9	..	60 - 57	BH80144	8H18	..	120 - 49
AZ51851	6E17	..	70 - 65	BH71727	5E10	..	60 - 58	BH80154	9E22	..	121 - 69
AZ51851	6E21	..	70 - 69	BH71728	5E9	..	60 - 57	BH80154	9G4	..	125 - 19
A1402R	9C11	18	121 - 9	BH71728	5E10	..	60 - 58	BH80154	9G10	..	125 - 25
A15146	8C5	8	110 - 3	BH71735	5E9	..	60 - 57	BH80263	9G18	..	125 - 33
A15146	8C7	10	110 - 5	BH71735	5E10	..	60 - 58	BH80263	9G20	..	125 - 35
A15147	7D10	22	80 - 37	BH71746	4E15	..	50 - 61	BH80264	9G18	..	125 - 33
A15147	8C15	6	110 - 13	BH71746	4F5	..	50 - 76	BH80264	9G20	..	125 - 35
A15147	8J8	2C	120 - 87	BH71746	4H7	..	50 - 128	BH80265	9G18	..	125 - 33
A15147	8J9	1	120 - 88	BH71877	8G21	..	120 - 27	BH80265	9G20	..	125 - 35
A15147	10D10	6	130 - 33	BH71877	9D6	..	121 - 29	BH80266	9G18	..	125 - 33
A15898	6D2	36	70 - 23	BH71883	4E15	..	50 - 61	BH80266	9G20	..	125 - 35
A15898	9H16	12	125 - 55	BH71883	4F5	..	50 - 76	BH80267	6C7	..	70 - 3
A22724	10E10	9	130 - 57	BH71883	4H7	..	50 - 128	BH80267	6D18	..	70 - 39
A24915	1C18	5	20 - 23	BH71912	4C14	..	50 - 9	BH80267	6D20	..	70 - 41
A25695	8E6	16	110 - 53	BH71948	3D11	..	40 - 31	BH80408	4C16	..	50 - 11
A27238	1C18	3	20 - 23	BH78337	3F12	..	40 - 81	BH80538	6E24	..	70 - 72
A2913R	1C16	3	20 - 21	BH78364	8I22	..	120 - 77	BH80538	8D18	..	110 - 41
A2913R	10F12	2	170 - 9	BH78370	3D15	..	40 - 35	BH80539	6E24	..	70 - 72

1K6

9500 AND SIDEHILL 9500 MAXIMIZER™ COMBINES

NUMERICAL INDEX - CONTINUED

PART NO.	GRID	KEY	PAGE	PART NO.	GRID	KEY	PAGE	PART NO.	GRID	KEY	PAGE
BH80539	7D8	..	80 - 35	B32630	7D22	12	80 - 49	E55662	2F16	4	30 - 85
BH80539	8D18	..	110 - 41	B3690R	5D4	36	60 - 25	E55662	2F20	3	30 - 89
BH80671	7E22	..	90 - 19	B3690R	7H2	36	90 - 73	E55662	10D18	8	130 - 41
BH80672	7E22	..	90 - 19	CC25449	7F10	11B	90 - 31	E55758	4E21	6	50 - 67
BH80673	7E22	..	90 - 19	CE18201	4D8	1	50 - 29	E56866	9C19	16	121 - 17
BH80677	3G20	..	40 - 113	CE18206	5C20	22	60 - 17	E56866	9C21	15	121 - 19
BH80678	3G20	..	40 - 113	C10232	8E19	35	110 - 67	E58183	7G5	8	90 - 51
BH80878	4C16	..	50 - 11	C10232	8E21	34	110 - 69	E59406	9E20	10	121 - 67
BH81006	8H14	..	120 - 45	C10232	10C9	10	130 - 7	E61791	6F6	1	70 - 79
BH81040	9F13	..	125 - 3	C10233	9I7	10	125 - 70	E61791	9H20	1	125 - 59
BH81052	7F4	..	90 - 25	C10233	10C9	10	130 - 7	E62089	6E10	6	70 - 57
BH81076	7G7	3	90 - 53	C10263	9I7	10	125 - 70	E62089	6E12	6	70 - 59
BH81076	7G7	..	90 - 53	C10263	10C9	10	130 - 7	E62089	6E14	6	70 - 61
BH81084	6D16	..	70 - 37	C16054	6D18	15A	70 - 39	E62089	6E15	6	70 - 62
BH81084	10E24	..	160 - 3	C16054	6D20	18A	70 - 41	E62089	6E17	6	70 - 65
BH81159	7F23	..	90 - 44	C16071	5D23	..	60 - 44	E62089	6E21	6	70 - 69
BH81159	7F24	..	90 - 45	C16071	5E2	..	60 - 49	E62092	6E14	17	70 - 61
BH81162	8G12	..	120 - 17	C3203E	7C22	12	80 - 25	E62092	6E17	17	70 - 65
BH81165	10E13	..	130 - 60	C3203E	7D4	5	80 - 31	E62093	6E14	15	70 - 61
BH81191	9E8	..	121 - 55	C3936E	4D10	2	50 - 31	E62093	6E17	15	70 - 65
BH81255	3G14	..	40 - 107	DE18970	10E14	3	130 - 61	E62094	6E14	14	70 - 61
BH81255	3G18	..	40 - 111	DE19111	10C23	14	130 - 21	E62094	6E15	14	70 - 62
BH81311	6C15	..	70 - 11	DE19111	10C23	20	130 - 21	E62094	6E17	14	70 - 65
BH81311	6C19	..	70 - 15	DE19111	10C23	24	130 - 21	E62094	6E19	14	70 - 67
BH81356	3C12	..	40 - 7	DE19111	10C23	25	130 - 21	E62094	6E21	14	70 - 69
BH81356	7F14	..	90 - 35	DS0251	1D9	..	25 - 2	E62892	6E23	6	70 - 71
BH81360	8E7	..	110 - 54	DS0251	2C9	..	30 - 2	E62917	6E12	22	70 - 59
BH81383	6D4	..	70 - 25	E10018	7C3	2	80 - 6	E62917	6E12	23	70 - 59
BH81383	6D6	..	70 - 27	E10018	8H12	19	120 - 43	E62917	6E23	11	70 - 71
BH81390	6C13	..	70 - 9	E10018	9E4	42	121 - 51	E62917	6E23	26	70 - 71
BH81390	6D14	..	70 - 35	E10018	9I2	4	125 - 65	E62917	6F2	11	70 - 75
BH81390	8C5	..	110 - 3	E10018	9I7	5	125 - 70	E62917	6F2	26	70 - 75
BH81390	8D12	..	110 - 35	E10018	9I14	14	125 - 77	E62942	6E8	2	70 - 54
BH81390	8D14	..	110 - 37	E10018	10C5	10A	130 - 3	E62942	6E10	2	70 - 57
BH81420	3G22	..	40 - 115	E10018	10C13	3	130 - 11	E62942	6E12	2	70 - 59
BH81446	6C13	..	70 - 9	E12305	9D10	22	121 - 33	E62942	6E14	2	70 - 61
BH81446	6D14	..	70 - 35	E12379	8H6	22	120 - 37	E62942	6E15	2	70 - 62
BH81446	8C9	..	110 - 7	E12379	8J2	13	120 - 81	E62942	6E17	2	70 - 65
BH81453	3C13	..	40 - 8	E12379	8J4	11	120 - 83	E62942	6E19	2	70 - 67
BH81453	3F11	..	40 - 80	E12379	9I18	4	125 - 81	E62942	6E21	2	70 - 69
BH81453	3F12	..	40 - 81	E12379	9I20	6	125 - 83	E62942	6E23	19	70 - 71
BH81456	3C12	..	40 - 7	E12379	10E19	1	130 - 67	E62942	6F2	19	70 - 75
BH81482	8C21	..	110 - 19	E12379	10E21	1	130 - 69	E62951	8E2	6	110 - 49
BH81704	4C20	..	50 - 15	E1343FN	1D22	1	25 - 15	E62951	8E7	5	110 - 54
BH81705	4C20	..	50 - 15	E1343FN	1D23	1	25 - 16	E64256	3D11	4	40 - 31
BH81706	4C20	..	50 - 15	E1343FN	2C20	1	30 - 13	E64256	5C12	36	60 - 9
BP12946	8F12	3	110 - 85	E1343FN	2C22	1	30 - 15	E64256	7C6	8	80 - 9
BP12946	8F14	3	110 - 87	E17421	2G14	22	32 - 13	E64256	9F13	13	125 - 3
BP12946	8F16	4	110 - 89	E18993	9D16	6	121 - 39	E64256	10E16	14	130 - 63
BP13616	9E20	13	121 - 67	E47782	8G17	22	120 - 23	E65288	4E2	..	50 - 47
BP13620	8D22	22	110 - 45	E47782	8G19	10	120 - 25	E65288	4E4	..	50 - 49
BP13620	9E2	1	121 - 49	E50096	8G2	10	120 - 7	E65288	4E5	..	50 - 50
B10604	9D22	3	121 - 45	E50096	8G4	11	120 - 9	E65288	4E7	28	50 - 52
B15494	7D2	9	80 - 29	E50096	8G6	11	120 - 11	E65288	4E8	25	50 - 53
B2290R	7E24	6	90 - 21	E53699	8D22	12	110 - 45	E65288	4H2	3	50 - 123
B27370	10D6	12	130 - 29	E55662	1E23	17	25 - 41	E65288	4H2	6	50 - 123
B27370	10D12	2	130 - 35	E55662	1E23	24	25 - 41	E65288	6F4	2B	70 - 77
B27835	9G2	35B	125 - 17	E55662	1F11	3	25 - 55	E66618	6E10	24	70 - 57
B28970	9G2	29	125 - 17	E55662	1G2	8	25 - 71	E66619	6E10	19	70 - 57
B28970	9G6	7	125 - 21	E55662	1G4	12	25 - 73	E66620	6E10	18	70 - 57
B2984R	1C6	4	20 - 10	E55662	1G19	3	25 - 89	E70736	8G15	8	120 - 21
B2984R	9E20	14	121 - 67	E55662	1G20	4	25 - 90	E76372	9G2	37A	125 - 17
B3118R	8D20	8	110 - 43	E55662	2D23	5	30 - 41	E76584	8F2	1	110 - 75
B3118R	8D22	13	110 - 45	E55662	2E5	16	30 - 49	E81185	8C17	9	110 - 15
B3118R	9D18	8	121 - 41	E55662	2E11	16	30 - 55	E82510	10F18	4	170 - 15
B32564	5C20	23	60 - 17	E55662	2E19	16	30 - 63	E82510	10G9	24	170 - 30
B32630	3F10	2	40 - 79	E55662	2E21	16	30 - 65	E82514	8F16	9	110 - 89

NUMERICAL INDEX - CONTINUED

PART NO.	GRID	KEY	PAGE	PART NO.	GRID	KEY	PAGE	PART NO.	GRID	KEY	PAGE
E82575	10G4	4	170 - 25	H104796	3E16	4	40 - 61	H109046	5C8	14	60 - 5
E82575	10G9	24	170 - 30	H104796	8H12	8	120 - 43	H109046	5D10	18	60 - 31
F1649R	2G6	14	32 - 5	H104855	3G2	9	40 - 95	H109046	6C9	16	70 - 5
F1743R	1D12	11	25 - 5	H104855	3H2	7	40 - 119	H109046	6D2	23	70 - 23
F1743R	1D14	11	25 - 7	H105005	5C12	32	60 - 9	H109046	6D6	12	70 - 27
F1743R	1E11	25	25 - 29	H105005	5C14	16	60 - 11	H109046	6E5	6	70 - 51
F1743R	2C12	9	30 - 5	H105353	8D22	18	110 - 45	H109093	10D24	1A	130 - 47
F3220R	3D11	22	40 - 31	H105519	9I6	16	125 - 69	H109093	10D24	1C	130 - 47
F3220R	3D13	21	40 - 33	H105578	9E4	57	121 - 51	H109146	3F10	6	40 - 79
F3646R	1D12	6	25 - 5	H105584	8E13	12	110 - 61	H109254	5C16	15	60 - 13
F3646R	1D14	6	25 - 7	H105590	8E13	9	110 - 61	H109539	5D6	9	60 - 27
F3646R	1E23	18	25 - 41	H105822	4C15	2	50 - 10	H109539	7G19	8	90 - 65
GG310-30411	6F4	1	70 - 77	H105909	8D22	11	110 - 45	H109539	7H4	9	90 - 75
HZ5621H	7D24	14	80 - 51	H105912	8D22	2	110 - 45	H109716	5C12	26	60 - 9
HZ5621H	8G8	7	120 - 13	H106000	3G20	4	40 - 113	H109845	8J2	11	120 - 81
H100027	10E2	16	130 - 49	H106073	8D22	25	110 - 45	H109855	8E13	7	110 - 61
H100027	10E4	16	130 - 51	H106246	3C20	6	40 - 15	H110168	9D16	2	121 - 39
H100244	8F4	20	110 - 77	H107004	3C8	16	40 - 3	H110178	8H24	8	120 - 55
H100245	8F4	22	110 - 77	H107389	9D18	16	121 - 41	H110178	8I8	7	120 - 63
H100246	8F4	21	110 - 77	H107504	4C17	4	50 - 12	H110178	8I12	5	120 - 67
H100247	8F4	19	110 - 77	H107504	4C18	9	50 - 13	H110178	8I16	7	120 - 71
H100796	9E8	22	121 - 55	H107504	4C25	1	50 - 20	H110178	9C13	1	121 - 11
H101195	6G17	18	70 - 115	H107566	5D6	4	60 - 27	H110229	5D6	6	60 - 27
H101223	6G17	17	70 - 115	H107566	7E14	18	90 - 11	H110229	7H4	6	90 - 75
H101297	9I6	15	125 - 69	H107566	7G19	18	90 - 65	H110232	5C12	14	60 - 9
H101297	10C7	1	130 - 5	H107566	7H4	4	90 - 75	H110237	9D4	33	121 - 27
H101448	8F4	12	110 - 77	H107567	5D6	33	60 - 27	H110310	5D6	5	60 - 27
H101677	8E13	8	110 - 61	H107567	7H4	33	90 - 75	H110310	7G19	7	90 - 65
H101677	8E17	5	110 - 65	H107570	5D6	50	60 - 27	H110310	7H4	5	90 - 75
H101813	3F3	3	40 - 72	H107570	7H4	50	90 - 75	H110337	9D10	35	121 - 33
H101813	3F4	3	40 - 73	H107570	7H6	50	90 - 77	H110438	10G6	10	170 - 27
H101813	10F5	1	170 - 2	H107581	5D6	12	60 - 27	H110462	9D10	26	121 - 33
H101870	7I2	22	90 - 99	H107581	7H4	12	90 - 75	H110521	9D10	24	121 - 33
H101878	9C7	5	121 - 5	H107582	5D6	28	60 - 27	H110539	4D6	31	50 - 27
H102206	5E2	4	60 - 49	H107582	7H4	28	90 - 75	H110539	4D8	15	50 - 29
H102497	8E13	7	110 - 61	H107584	5D6	29	60 - 27	H110542	9D12	6	121 - 35
H102497	8E17	4	110 - 65	H107584	7H4	29	90 - 75	H110700	5D6	21	60 - 27
H102533	7C3	4	80 - 6	H107586	5D6	51	60 - 27	H110700	7H4	21	90 - 75
H102533	8H12	21	120 - 43	H107586	7H4	51	90 - 75	H110728	8D20	15	110 - 43
H102533	9D4	36	121 - 27	H107586	7H6	51	90 - 77	H110800	9C13	13	121 - 11
H102533	9E4	43	121 - 51	H107687	5D4	12	60 - 25	H110800	9C15	5	121 - 13
H102909	10E12	7	130 - 59	H107687	5D6	8	60 - 27	H110801	9C13	15	121 - 11
H103167	4D8	8	50 - 29	H107687	7H2	12	90 - 73	H110801	9C15	7	121 - 13
H103264	1B23	7	20 - 1	H107687	7H4	8	90 - 75	H110812	5D4	13	60 - 25
H103264	1B25	37	20 - 3	H107735	8D20	14	110 - 43	H110812	7G19	13	90 - 65
H103264	8H10	18	120 - 41	H107793	8D20	3	110 - 43	H110812	7H2	13	90 - 73
H103264	9G18	15	125 - 33	H107970	6G19	19	70 - 117	H110842	3C10	16	40 - 5
H103264	9I16	5	125 - 79	H107970	6G19	24	70 - 117	H110842	7I4	1	90 - 101
H103264	10C5	4	130 - 3	H108291	5C8	6	60 - 5	H110848	3C10	8	40 - 5
H103264	10E6	14	130 - 53	H108291	6D8	12	70 - 29	H110922	8D20	10	110 - 43
H103264	10E8	15	130 - 55	H108291	6D10	14	70 - 31	H110922	8F8	2	110 - 81
H103265	8J6	4	120 - 85	H108291	6D10	19	70 - 31	H110923	10G8	4	170 - 29
H103265	10E10	19	130 - 57	H108604	4C14	..	50 - 9	H111041	9D10	2	121 - 33
H103265	10E12	8	130 - 59	H108604	5E9	..	60 - 57	H111042	9D10	28	121 - 33
H103265	10E16	33	130 - 63	H108604	5E10	..	60 - 58	H111234	5C14	15	60 - 11
H103543	5E9	1	60 - 57	H108604	10G11	2	170 - 33	H111260	9D10	1	121 - 33
H103543	5E10	3	60 - 58	H108604	10G11	4	170 - 33	H111261	9D10	1	121 - 33
H104075	5C12	31	60 - 9	H108605	4C16	..	50 - 11	H111262	9D10	1	121 - 33
H104418	3D21	15	40 - 41	H108605	10G11	4	170 - 33	H111364	3C10	2	40 - 5
H104418	4D10	24	50 - 31	H108673	8D20	7	110 - 43	H111364	3G18	2	40 - 111
H104418	4D12	25	50 - 33	H108725	5D6	24	60 - 27	H111364	7G17	16	90 - 63
H104793	3E16	3	40 - 61	H108725	7H4	24	90 - 75	H111364	7I4	2	90 - 101
H104793	9F25	5	125 - 15	H108745	6F8	11	70 - 81	H111378	6C7	1	70 - 3
H104794	3E16	3	40 - 61	H108822	5D4	34	60 - 25	H111474	9C11	13	121 - 9
H104794	9F25	4	125 - 15	H108822	7H2	34	90 - 73	H111478	7E22	7	90 - 19
H104795	3E16	4	40 - 61	H108889	8F8	4	110 - 81	H111500	4C15	3	50 - 10
H104795	8H12	7	120 - 43	H108935	7I2	4	90 - 99	H111537	4C16	..	50 - 11

1K8

9500 AND SIDEHILL 9500 MAXIMIZER™ COMBINES

NUMERICAL INDEX - CONTINUED

PART NO.	GRID	KEY	PAGE	PART NO.	GRID	KEY	PAGE	PART NO.	GRID	KEY	PAGE
H111541	5E9	..	60 - 57	H113238	9D10	23	121 - 33	H114688	9D10	38	121 - 33
H111541	10G11	2	170 - 33	H113279	5D4	15A	60 - 25	H114689	9D10	44	121 - 33
H111705	7G17	12	90 - 63	H113279	7H2	15	90 - 73	H114709	10E6	9	130 - 53
H111705	7I4	3	90 - 101	H113402	5D6	19	60 - 27	H114709	10E8	20	130 - 55
H111706	3C16	2	40 - 11	H113402	7H4	19	90 - 75	H114738	10E16	42	130 - 63
H111706	3C20	14	40 - 15	H113404	5D6	18	60 - 27	H114818	1C1	2	20 - 4
H111706	7G17	3	90 - 63	H113404	7H4	18	90 - 75	H114818	1C3	1	20 - 7
H111706	7H8	35	90 - 79	H113625	8H6	15	120 - 37	H114865	4G14	11	50 - 111
H111706	7I4	4	90 - 101	H113625	8H16	20	120 - 47	H114865	4G16	11	50 - 113
H111730	4F15	2	50 - 87	H113626	8H6	17	120 - 37	H114865	4H4	7	50 - 125
H111730	4F17	2	50 - 89	H113626	8H16	23	120 - 47	H114865	4H6	6	50 - 127
H111730	4F19	21	50 - 91	H113627	9D10	9	121 - 33	H114865	4H7	4	50 - 128
H111730	4F21	2	50 - 93	H113717	10E6	8	130 - 53	H114865	5C10	9	60 - 7
H111730	4F23	21	50 - 95	H113717	10E8	21	130 - 55	H114865	6E2	7	70 - 47
H111730	4F25	2	50 - 97	H113858	5D4	4	60 - 25	H114873	10E8	5	130 - 55
H111730	5D10	20	60 - 31	H113858	7H2	4	90 - 73	H114876	4F7	5	50 - 79
H111730	6E5	11	70 - 51	H113863	5D4	16	60 - 25	H114876	4F7	13	50 - 79
H112162	4D3	23	50 - 23	H113863	7H2	16	90 - 73	H114876	4F11	10	50 - 83
H112162	6C9	14	70 - 5	H113864	5D6	14	60 - 27	H114876	4F13	10	50 - 85
H112162	7F16	23	90 - 37	H113864	7H4	14	90 - 75	H114897	1C18	13	20 - 23
H112567	1C18	12	20 - 23	H113892	8E4	9	110 - 51	H114897	4F7	20	50 - 79
H112567	4F7	21	50 - 79	H113924	3C10	14	40 - 5	H114897	4F11	15	50 - 83
H112567	4F11	16	50 - 83	H113946	9D10	32	121 - 33	H114897	6C25	14	70 - 21
H112567	4F15	3	50 - 87	H113947	9D10	7	121 - 33	H114897	6C25	17	70 - 21
H112567	4F17	3	50 - 89	H114001	9D12	15	121 - 35	H114898	4G14	15	50 - 111
H112567	4F19	20	50 - 91	H114001	9G6	21B	125 - 21	H114898	4G16	15	50 - 113
H112567	4F21	3	50 - 93	H114020	3G12	11	40 - 105	H114901	4F9	9	50 - 81
H112567	4F23	20	50 - 95	H114020	9H10	3	125 - 49	H114901	4F17	9	50 - 89
H112567	4F25	3	50 - 97	H114020	9H10	10	125 - 49	H114901	4F19	13	50 - 91
H112567	4G8	10	50 - 105	H114038	3C8	3	40 - 3	H114901	4F23	13	50 - 95
H112567	4G10	5	50 - 107	H114038	3D2	10	40 - 21	H114901	4F25	9	50 - 97
H112567	4G14	13	50 - 111	H114038	3D4	9	40 - 23	H114901	4G2	9	50 - 99
H112567	4G16	13	50 - 113	H114038	3D17	21	40 - 37	H114901	4G12	2	50 - 109
H112567	4H4	6	50 - 125	H114038	7E20	12	90 - 17	H114901	4G14	16	50 - 111
H112567	4H6	5	50 - 127	H114038	7I4	5	90 - 101	H114901	4G16	16	50 - 113
H112567	4H7	5	50 - 128	H114046	7H10	3	90 - 81	H115031	7H8	9	90 - 79
H112567	5C10	8	60 - 7	H114100	9E2	3	121 - 49	H115140	5D23	8	60 - 44
H112567	5D8	11	60 - 29	H114134	9D24	24	121 - 47	H115140	5D24	7	60 - 45
H112567	5D10	21	60 - 31	H114142	7H8	11	90 - 79	H115140	5D25	7	60 - 46
H112567	6C23	11	70 - 19	H114226	9C19	13	121 - 17	H115179	8G15	16	120 - 21
H112567	6C25	15	70 - 21	H114226	9C21	13	121 - 19	H115179	8G25	4	120 - 31
H112567	6E2	6	70 - 47	H114227	9C19	13	121 - 17	H115379	4G8	11	50 - 105
H112567	6E5	10	70 - 51	H114227	9C21	13	121 - 19	H115379	4G10	6	50 - 107
H112567	6G2	4	70 - 99	H114228	9C19	13	121 - 17	H115521	3D8	1	40 - 27
H112567	6G17	3	70 - 115	H114228	9C21	13	121 - 19	H115521	7H10	1	90 - 81
H112567	6H2	9	70 - 125	H114270	10G6	13	170 - 27	H115533	5D10	23	60 - 31
H112567	6H4	7	70 - 127	H114320	10G6	13	170 - 27	H115533	5D10	27	60 - 31
H112567	6H6	14	70 - 129	H114321	10G6	10	170 - 27	H115533	6C9	2	70 - 5
H112567	9H14	5	125 - 53	H114330	5C14	13	60 - 11	H115533	6C23	18	70 - 19
H112567	9H16	7	125 - 55	H114331	5C14	10	60 - 11	H115533	6D4	1	70 - 25
H112567	9H18	7	125 - 57	H114379	9E6	19	121 - 53	H115596	9D16	8	121 - 39
H112877	9D10	21	121 - 33	H114395	10E10	10	130 - 57	H115599	9D18	1	121 - 41
H112910	5C16	7	60 - 13	H114411	3E8	8	40 - 53	H115755	9D4	19	121 - 27
H112911	5C16	3	60 - 13	H114432	1C18	15	20 - 23	H115759	9D4	25	121 - 27
H112911	5C16	11	60 - 13	H114432	4G8	21	50 - 105	H115759	9D18	3	121 - 41
H113053	10D14	9	130 - 37	H114432	4G10	15	50 - 107	H115759	10F6	6	170 - 3
H113063	9D10	27	121 - 33	H114432	6C25	10	70 - 21	H115881	9D6	4	121 - 29
H113134	4D10	22	50 - 31	H114433	1C18	6	20 - 23	H115881	9D10	39	121 - 33
H113134	4D12	23	50 - 33	H114473	5D22	7A	60 - 43	H115881	9D18	20	121 - 41
H113196	1G20	7	25 - 90	H114523	7E8	4	90 - 5	H115881	10F6	7	170 - 3
H113196	1G24	6	25 - 95	H114525	7E8	5	90 - 5	H115930	9D4	12	121 - 27
H113196	1G24	8	25 - 95	H114535	9F13	9	125 - 3	H115987	7G3	9	90 - 49
H113196	2F16	7	30 - 85	H114536	9F13	15	125 - 3	H115988	7G3	17	90 - 49
H113196	2F19	5	30 - 88	H114537	9F13	10	125 - 3	H116065	8F2	4	110 - 75
H113196	4G18	18	50 - 115	H114538	9F13	14	125 - 3	H116065	9D20	8	121 - 43
H113196	4G20	13	50 - 117	H114562	7C24	13	80 - 27	H116160	3E10	..	40 - 55
H113208	9D10	19	121 - 33	H114687	9D10	34	121 - 33	H116160	3E14	..	40 - 59

NUMERICAL INDEX - CONTINUED

PART NO.	GRID	KEY	PAGE	PART NO.	GRID	KEY	PAGE	PART NO.	GRID	KEY	PAGE
H116160	3F20	..	40 - 89	H118583	8E15	12	110 - 63	H120362	9H14	3	125 - 53
H116160	9C19	..	121 - 17	H118616	9D8	3	121 - 31	H120379	7B24	19	80 - 3
H116160	9C21	..	121 - 19	H118617	9D4	24	121 - 27	H120379	7C2	19	80 - 5
H116160	9C23	..	121 - 21	H118617	9D8	1	121 - 31	H120388	5C14	6	60 - 11
H116160	9C25	..	121 - 23	H118618	9D8	6	121 - 31	H120389	5C14	5	60 - 11
H116161	9E22	4	121 - 69	H118618	10F6	7	170 - 3	H120490	9D8	8	121 - 31
H116161	10E10	24	130 - 57	H118619	7H8	12	90 - 79	H120499	7D22	14	80 - 49
H116188	7E20	14	90 - 17	H118719	1B23	16	20 - 1	H120499	10D6	10	130 - 29
H116213	6F4	9	70 - 77	H118719	1B25	44	20 - 3	H120659	9D12	17	121 - 35
H116213	6F6	10	70 - 79	H118766	2G20	7	32 - 19	H120660	9D12	17	121 - 35
H116213	9H20	12	125 - 59	H118776	8E9	20	110 - 57	H120800	8H4	7	120 - 35
H116262	10E16	10	130 - 63	H118776	8E11	16	110 - 59	H120801	8H4	6	120 - 35
H116292	10E8	2A	130 - 55	H118776	8E15	10	110 - 63	H120847	5D8	26	60 - 29
H116333	4C17	6	50 - 12	H118781	1C1	12	20 - 4	H120847	5D10	4	60 - 31
H116333	4C20	3	50 - 15	H118871	7H8	28	90 - 79	H120847	5D10	15	60 - 31
H116351	10D18	9	130 - 41	H118872	7H8	26	90 - 79	H120847	6D2	31	70 - 23
H116359	7F20	4	90 - 41	H118882	4D19	8	50 - 40	H120847	6D4	17	70 - 25
H116640	4C14	..	50 - 9	H118882	4D20	8	50 - 41	H120847	6D24	7	70 - 45
H116640	10G11	4	170 - 33	H118906	6G8	22	70 - 105	H120847	6F22	11	70 - 95
H116641	5E9	..	60 - 57	H118919	9C23	15	121 - 21	H120847	6F24	5	70 - 97
H116641	5E10	..	60 - 58	H118919	9C25	15	121 - 23	H120847	9H14	19	125 - 53
H116641	10G11	1	170 - 33	H118920	9C23	14	121 - 21	H120923	10G6	1	170 - 27
H116706	6D8	9	70 - 29	H118920	9C25	14	121 - 23	H120924	10G8	6	170 - 29
H116717	6D2	3	70 - 23	H118927	9C19	13	121 - 17	H121040	10G13	6	170 - 35
H116717	6D4	10	70 - 25	H118927	9C21	13	121 - 19	H121110	3E2	6	40 - 47
H116717	6D6	2	70 - 27	H118948	9I12	17	125 - 75	H121110	3H7	11	40 - 125
H116740	3F14	1	40 - 83	H119007	4C8	7	50 - 3	H121134	9D16	4	121 - 39
H116740	3F14	7	40 - 83	H119007	5C6	18	60 - 3	H121163	4G14	23	50 - 111
H116740	3F16	1	40 - 85	H119008	4C8	11A	50 - 3	H121163	4G16	21	50 - 113
H116740	3F18	1	40 - 87	H119028	9C9	1	121 - 7	H121163	5D12	5	60 - 33
H116740	7C8	8	80 - 11	H119029	9C9	1	121 - 7	H121163	5D14	14	60 - 35
H116740	7C10	4	80 - 13	H119030	9C9	1	121 - 7	H121163	5D16	14	60 - 37
H116861	9D14	5	121 - 37	H119031	9C9	1	121 - 7	H121163	6D2	5	70 - 23
H116862	9D14	4	121 - 37	H119088	7E12	4	90 - 9	H121163	6D6	8	70 - 27
H116862	9E18	16	121 - 65	H119088	7I4	6	90 - 101	H121163	6F8	14	70 - 81
H116894	6D14	9	70 - 35	H119186	7H8	4	90 - 79	H121168	5C8	5	60 - 5
H116916	9E6	20	121 - 53	H119186	7H10	9	90 - 81	H121168	5D8	27	60 - 29
H117239	3C10	12	40 - 5	H119187	7H8	37A	90 - 79	H121168	5D10	5	60 - 31
H117239	3D17	19	40 - 37	H119210	9D16	9	121 - 39	H121168	5D14	5	60 - 35
H117692	9G14	8	125 - 29	H119362	7H8	17	90 - 79	H121168	5D16	5	60 - 37
H117694	9G14	12	125 - 29	H119411	7C22	23	80 - 25	H121168	6C9	19	70 - 5
H117696	9G14	5	125 - 29	H119475	1C1	10	20 - 4	H121168	6D2	25	70 - 23
H117703	9D10	15	121 - 33	H119566	10E6	4	130 - 53	H121168	6D2	30	70 - 23
H117937	6D8	5	70 - 29	H119566	10E8	9	130 - 55	H121168	6D4	16	70 - 25
H117937	6D10	29	70 - 31	H119567	10E6	4	130 - 53	H121168	6D6	11	70 - 27
H117952	3E2	9	40 - 47	H119567	10E8	9	130 - 55	H121168	6D8	11	70 - 29
H117952	7I2	10	90 - 99	H119568	10E6	4	130 - 53	H121168	6D10	13	70 - 31
H117953	8F22	6	120 - 3	H119568	10E8	9	130 - 55	H121168	6E5	7	70 - 51
H117953	8F24	4	120 - 5	H119642	8G15	24	120 - 21	H121168	6F22	10	70 - 95
H118068	8F22	12	120 - 3	H119642	8G25	19	120 - 31	H121168	6F24	4	70 - 97
H118068	8F24	10	120 - 5	H119682	7G19	16	90 - 65	H121168	6H2	3	70 - 125
H118082	9D10	12	121 - 33	H119684	7G19	19	90 - 65	H121168	6H4	4	70 - 127
H118153	7G3	16	90 - 49	H119685	7G19	1	90 - 65	H121168	6H6	21	70 - 129
H118166	8H4	3	120 - 35	H119687	7G19	21	90 - 65	H121168	9H14	20	125 - 53
H118416	3C8	10	40 - 3	H119709	8E13	11	110 - 61	H121391	7D22	15	80 - 49
H118422	3E8	19	40 - 53	H119710	8E13	2	110 - 61	H121391	10D6	34	130 - 29
H118425	3E20	21	40 - 65	H119710	8E17	2	110 - 65	H121407	1B23	4	20 - 1
H118426	3D19	7	40 - 39	H119904	2G8	2	32 - 7	H121472	4G18	11	50 - 115
H118426	3D23	8	40 - 43	H119996	10E10	13	130 - 57	H121472	4G20	7	50 - 117
H118427	3D21	3	40 - 41	H119997	10E10	12	130 - 57	H121472	5D24	9	60 - 45
H118430	3C8	17	40 - 3	H120082	7C22	13	80 - 25	H121472	5D25	14	60 - 46
H118430	3C18	3	40 - 13	H120099	7G23	5	90 - 69	H121575	9G14	11	125 - 29
H118431	3C8	15	40 - 3	H120188	3D17	16	40 - 37	H121576	9G14	15	125 - 29
H118539	7H14	13	90 - 85	H120194	9F2	21	121 - 73	H121681	9C17	12	121 - 15
H118543	7H14	15	90 - 85	H120198	9E22	25	121 - 69	H121681	9C23	16	121 - 21
H118583	8E9	20	110 - 57	H120198	9E24	23	121 - 71	H121681	9C25	16	121 - 23
H118583	8E11	18	110 - 59	H120362	6C25	21	70 - 21	H121705	3F2	1	40 - 71

1K10

9500 AND SIDEHILL 9500 MAXIMIZER™ COMBINES

NUMERICAL INDEX - CONTINUED

PART NO.	GRID	KEY	PAGE	PART NO.	GRID	KEY	PAGE	PART NO.	GRID	KEY	PAGE
H122063	4C16	4	50 - 11	H123998	3D4	10	40 - 23	H125560	9E6	17	121 - 53
H122182	4F7	8	50 - 79	H123998	3D6	4	40 - 25	H125565	8F4	7	110 - 77
H122182	4F9	7	50 - 81	H123998	3G18	7	40 - 111	H125565	9D2	26	121 - 25
H122182	4F11	6	50 - 83	H123998	7H8	25	90 - 79	H125565	9E18	12	121 - 65
H122182	4F13	6	50 - 85	H123998	7H8	35	90 - 79	H125565	10F7	1	170 - 4
H122182	4F15	5	50 - 87	H124185	3D8	3	40 - 27	H125568	1C5	2	20 - 9
H122182	4F17	5	50 - 89	H124185	7H10	7	90 - 81	H125572	1C5	16A	20 - 9
H122182	4F19	3	50 - 91	H124197	7H8	29	90 - 79	H125670	10D12	15	130 - 35
H122182	4F21	5	50 - 93	H124198	7H8	30	90 - 79	H125671	10D12	20	130 - 35
H122182	4F23	3	50 - 95	H124205	3F22	9	40 - 91	H125672	10D12	16	130 - 35
H122182	4F25	5	50 - 97	H124206	3F22	2	40 - 91	H125711	8D20	12	110 - 43
H122182	4G2	7	50 - 99	H124210	7E12	9	90 - 9	H125711	8E4	10	110 - 51
H122182	4G4	3	50 - 101	H124222	3C12	4	40 - 7	H125711	10F7	6	170 - 4
H122182	4G6	3	50 - 103	H124222	7F14	4	90 - 35	H125733	9C9	6	121 - 7
H122372	3E2	11	40 - 47	H124254	5C14	14	60 - 11	H125734	9C15	10	121 - 13
H122372	8H16	11	120 - 47	H124255	5C14	20	60 - 11	H125735	9C15	10	121 - 13
H122573	4C16	..	50 - 11	H124258	5C12	18	60 - 9	H125736	9C15	10	121 - 13
H122573	10F10	3	170 - 7	H124258	5C14	8	60 - 11	H125737	9C15	10	121 - 13
H122573	10G11	5	170 - 33	H124259	5C14	7	60 - 11	H125738	9C15	1	121 - 13
H122650	9C13	14	121 - 11	H124260	7E6	6	90 - 3	H125739	9C7	7	121 - 5
H122650	9C15	6	121 - 13	H125330	4D19	13	50 - 40	H125740	9C5	18	121 - 3
H122772	6C23	10	70 - 19	H125330	4D20	13	50 - 41	H125740	9C9	5	121 - 7
H122772	6G17	4	70 - 115	H125335	4D19	15	50 - 40	H125741	9C5	18	121 - 3
H122772	6H6	13	70 - 129	H125335	4D20	15	50 - 41	H125741	9C9	5	121 - 7
H122772	9H16	8	125 - 55	H125347	3F14	15	40 - 83	H125742	9C5	18	121 - 3
H122772	9H18	8	125 - 57	H125347	3F16	15	40 - 85	H125742	9C9	5	121 - 7
H123297	2G20	10	32 - 19	H125347	3F18	15	40 - 87	H125743	9C5	18	121 - 3
H123351	10G6	12	170 - 27	H125351	9C11	6	121 - 9	H125743	9C9	5	121 - 7
H123557	9D4	27	121 - 27	H125352	9C11	7	121 - 9	H125752	10D12	14	130 - 35
H123633	8C11	26	110 - 9	H125354	9C11	10	121 - 9	H125753	10D12	12	130 - 35
H123636	8C11	11	110 - 9	H125355	9C11	21	121 - 9	H125769	7E16	6	90 - 13
H123637	8C11	19	110 - 9	H125355	9C13	17	121 - 11	H125837	9C15	8	121 - 13
H123638	8C11	21	110 - 9	H125356	9C11	19	121 - 9	H125838	9C5	17	121 - 3
H123650	7C8	13	80 - 11	H125356	9C13	19	121 - 11	H125838	9C19	12	121 - 17
H123652	1B23	9	20 - 1	H125357	9C9	9	121 - 7	H125838	9C21	12	121 - 19
H123652	1B25	39	20 - 3	H125376	1C1	21	20 - 4	H125838	9C23	5	121 - 21
H123734	8E19	30	110 - 67	H125377	1C1	4	20 - 4	H125838	9C25	5	121 - 23
H123734	8E21	30	110 - 69	H125379	1C1	14	20 - 4	H125839	9C13	7	121 - 11
H123740	7E20	18	90 - 17	H125380	9E22	12	121 - 69	H125840	9C13	11	121 - 11
H123740	7F20	10	90 - 41	H125380	10F7	3	170 - 4	H125841	9C13	8	121 - 11
H123765	3F8	2	40 - 77	H125381	9F2	19	121 - 73	H125842	9C13	8	121 - 11
H123773	7E20	9	90 - 17	H125381	9F25	6	125 - 15	H125843	9C13	8	121 - 11
H123785	3F8	3	40 - 77	H125381	10F7	3	170 - 4	H125844	9C13	8	121 - 11
H123786	3F8	7	40 - 77	H125391	9D18	18	121 - 41	H125873	3F8	13	40 - 77
H123787	3F8	8	40 - 77	H125403	6C13	5	70 - 9	H125929	6F4	12	70 - 77
H123788	3F8	6	40 - 77	H125403	6C20	3	70 - 16	H125930	3D19	3	40 - 39
H123794	7E16	3	90 - 13	H125403	9H16	24	125 - 55	H125988	7H14	22	90 - 85
H123796	7E20	16	90 - 17	H125459	7F20	5	90 - 41	H125989	7H14	23	90 - 85
H123872	5D6	10	60 - 27	H125466	1C5	26	20 - 9	H125991	7H14	26	90 - 85
H123872	7H4	10	90 - 75	H125467	1C5	29	20 - 9	H126026	6G8	7	70 - 105
H123873	5D4	25	60 - 25	H125489	8F4	6	110 - 77	H126028	6G8	34	70 - 105
H123873	7H2	25	90 - 73	H125490	8F4	9	110 - 77	H126069	9C13	4	121 - 11
H123874	5D6	20	60 - 27	H125511	7E8	1	90 - 5	H126081	7E14	2	90 - 11
H123874	7H4	20	90 - 75	H125513	7E12	3	90 - 9	H126082	7E14	3	90 - 11
H123875	5D6	25	60 - 27	H125517	4C10	12	50 - 5	H126083	7E14	4	90 - 11
H123875	7H4	25	90 - 75	H125518	4D3	1	50 - 23	H126123	4C10	22	50 - 5
H123877	5D6	2	60 - 27	H125518	7F16	1	90 - 37	H126123	4C12	8	50 - 7
H123877	7H4	2	90 - 75	H125528	9D18	9	121 - 41	H126124	4C10	23	50 - 5
H123918	1B25	23	20 - 3	H125530	9D18	5	121 - 41	H126124	4C12	7	50 - 7
H123918	9G20	11	125 - 35	H125531	9D18	17	121 - 41	H126169	9E18	8	121 - 65
H123991	7E20	5	90 - 17	H125532	9D8	4	121 - 31	H126171	7G19	6	90 - 65
H123995	3C6	5	40 - 1	H125533	9D18	11	121 - 41	H126172	7G19	2	90 - 65
H123995	3C8	5	40 - 3	H125537	7D14	4	80 - 41	H126173	7G19	9	90 - 65
H123995	7E20	7	90 - 17	H125537	7D16	4	80 - 43	H126174	7G19	20	90 - 65
H123995	7G17	2	90 - 63	H125537	10D8	19	130 - 31	H126175	7G19	14	90 - 65
H123995	7I4	7	90 - 101	H125558	8H6	18	120 - 37	H126176	7G19	17	90 - 65
H123998	3D2	11	40 - 21	H125558	9E6	2	121 - 53	H126261	8F6	6	110 - 79

NUMERICAL INDEX - CONTINUED

PART NO.	GRID	KEY	PAGE	PART NO.	GRID	KEY	PAGE	PART NO.	GRID	KEY	PAGE
H126280	10E12	10	130 - 59	H127067	5E9	..	60 - 57	H127906	9F4	4	121 - 75
H126302	8F6	11	110 - 79	H127067	10G11	2	170 - 33	H127907	9F2	2	121 - 73
H126334	9F13	2	125 - 3	H127067	10G11	4	170 - 33	H127907	9F4	2	121 - 75
H126334	9G4	45	125 - 19	H127068	10G11	4	170 - 33	H127921	10E6	2	130 - 53
H126334	9G12	3	125 - 27	H127070	5E9	..	60 - 57	H127922	10E10	5	130 - 57
H126335	9F13	1	125 - 3	H127070	10G11	2	170 - 33	H127923	9E22	6	121 - 69
H126336	9F13	6	125 - 3	H127073	5E9	..	60 - 57	H127923	10E10	4	130 - 57
H126345	8E6	12	110 - 53	H127073	10G11	2	170 - 33	H127972	8G12	2	120 - 17
H126345	8F6	12	110 - 79	H127075	10G11	4	170 - 33	H127972	9D6	16	121 - 29
H126345	8F8	3	110 - 81	H127076	10G11	1	170 - 33	H127978	7H8	14	90 - 79
H126345	10F7	5	170 - 4	H127078	10G8	4	170 - 29	H127998	10D24	12	130 - 47
H126346	8E6	20	110 - 53	H127097	7C14	9	80 - 17	H127998	10E2	16	130 - 49
H126368	4G14	30	50 - 111	H127097	7C18	9	80 - 21	H127998	10E4	16	130 - 51
H126370	8E6	26	110 - 53	H127159	9C5	9	121 - 3	H128010	9D4	20	121 - 27
H126371	8E4	2	110 - 51	H127189	9C17	1	121 - 15	H128010	9D22	1	121 - 45
H126371	8E6	25	110 - 53	H127189	9D4	1	121 - 27	H128010	10F5	2	170 - 2
H126397	8C5	25	110 - 3	H127196	9D4	18	121 - 27	H128080	9F15	2	125 - 5
H126397	8C7	3	110 - 5	H127250	10D12	9	130 - 35	H128080	9F17	2	125 - 7
H126397	8C9	25	110 - 7	H127253	10G8	16	170 - 29	H128080	9F19	1	125 - 9
H126397	10G8	19	170 - 29	H127325	10G8	16	170 - 29	H128080	9F21	1	125 - 11
H126470	7G17	10	90 - 63	H127326	10G8	16	170 - 29	H128080	9F23	1	125 - 13
H126564	9C19	15	121 - 17	H127327	10G8	16	170 - 29	H128081	9F15	2	125 - 5
H126564	9C21	16	121 - 19	H127408	7D18	7	80 - 45	H128081	9F17	2	125 - 7
H126572	4D10	12	50 - 31	H127410	7D18	4	80 - 45	H128081	9F19	1	125 - 9
H126572	4D12	14	50 - 33	H127465	7D10	16	80 - 37	H128081	9F21	1	125 - 11
H126573	4D10	12	50 - 31	H127524	8H12	10	120 - 43	H128081	9F23	1	125 - 13
H126573	4D12	14	50 - 33	H127525	8H12	23	120 - 43	H128082	8I22	15	120 - 77
H126575	4D10	12	50 - 31	H127532	8H8	4	120 - 39	H128082	9F15	2	125 - 5
H126575	4D12	14	50 - 33	H127574	7H8	21	90 - 79	H128082	9F17	2	125 - 7
H126582	4F7	10	50 - 79	H127575	7H8	1	90 - 79	H128082	9F19	1	125 - 9
H126583	4C10	16	50 - 5	H127578	2G6	2	32 - 5	H128082	9F21	1	125 - 11
H126583	4C12	16	50 - 7	H127578	2G8	12	32 - 7	H128082	9F23	1	125 - 13
H126583	4E10	23	50 - 55	H127583	9D16	22	121 - 39	H128083	9F13	11	125 - 3
H126586	4C10	18	50 - 5	H127583	9G16	34	125 - 31	H128083	9F15	2	125 - 5
H126587	9C5	7	121 - 3	H127589	2G8	13	32 - 7	H128083	9F17	2	125 - 7
H126589	7H8	20	90 - 79	H127589	4G14	20	50 - 111	H128083	9F19	1	125 - 9
H126590	7H8	22	90 - 79	H127589	4G16	20	50 - 113	H128083	9F21	1	125 - 11
H126672	7D20	15	80 - 47	H127589	6D2	6	70 - 23	H128083	9F23	1	125 - 13
H126705	8E19	21	110 - 67	H127589	6D6	27	70 - 27	H128084	8E25	14	110 - 73
H126715	9D2	25	121 - 25	H127589	6D12	4	70 - 33	H128084	9F15	2	125 - 5
H126716	9D2	23	121 - 25	H127589	6E7	2	70 - 53	H128098	9E20	1	121 - 67
H126721	9C19	6	121 - 17	H127589	6H6	16	70 - 129	H128111	9E20	7	121 - 67
H126721	9C23	9	121 - 21	H127590	9D10	18	121 - 33	H128114	9G2	35A	125 - 17
H126722	9D10	41	121 - 33	H127596	9D16	17	121 - 39	H128118	8E2	4	110 - 49
H126792	9C15	15	121 - 13	H127603	8E2	20	110 - 49	H128118	8E7	4	110 - 54
H126793	9C15	16	121 - 13	H127603	8E7	7	110 - 54	H128124	9F13	21	125 - 3
H126801	10E13	1	130 - 60	H127604	8E2	9	110 - 49	H128194	7H14	8	90 - 85
H126802	10E13	7	130 - 60	H127625	8C5	6	110 - 3	H128201	1C7	10	20 - 11
H126804	10E13	12	130 - 60	H127638	10D6	2	130 - 29	H128234	8J6	15	120 - 85
H126828	9I14	9	125 - 77	H127677	7D16	13	80 - 43	H128234	9G16	32	125 - 31
H126829	9D10	40	121 - 33	H127677	10D8	22	130 - 31	H128234	10F7	7	170 - 4
H126846	3C20	35	40 - 15	H127679	7E18	17	90 - 15	H128265	9E4	32	121 - 51
H126932	8H24	6	120 - 55	H127731	7D24	17	80 - 51	H128265	9I2	21	125 - 65
H126932	8I8	3	120 - 63	H127732	7D24	11	80 - 51	H128297	9D6	5	121 - 29
H126932	8I12	9	120 - 67	H127732	9D12	12	121 - 35	H128315	10G8	9	170 - 29
H126932	8I16	3	120 - 71	H127747	7F18	19	90 - 39	H128327	9E6	5	121 - 53
H126933	8H24	7	120 - 55	H127747	8D24	19	110 - 47	H128357	9F15	1	125 - 5
H126933	8I8	6	120 - 63	H127749	7F18	17	90 - 39	H128357	9F17	3	125 - 7
H126933	8I12	6	120 - 67	H127749	8D24	17	110 - 47	H128357	9F17	7	125 - 7
H126933	8I16	6	120 - 71	H127752	5C16	10	60 - 13	H128357	9F19	2	125 - 9
H126934	8H24	5	120 - 55	H127772	7G3	7	90 - 49	H128357	9F19	3	125 - 9
H126934	8I8	4	120 - 63	H127773	7G3	12A	90 - 49	H128357	9F21	2	125 - 11
H126934	8I12	8	120 - 67	H127781	8C5	16	110 - 3	H128357	9F23	2	125 - 13
H126934	8I16	4	120 - 71	H127781	8C9	16	110 - 7	H128358	9F15	1	125 - 5
H126941	8H6	10	120 - 37	H127855	9D10	13	121 - 33	H128358	9F17	3	125 - 7
H127006	8G15	14	120 - 21	H127872	9I12	4	125 - 75	H128358	9F19	2	125 - 9
H127006	8H2	14	120 - 33	H127906	9F2	4	121 - 73	H128358	9F21	2	125 - 11

1K12

9500 AND SIDEHILL 9500 MAXIMIZER™ COMBINES

NUMERICAL INDEX - CONTINUED

PART NO.	GRID	KEY	PAGE	PART NO.	GRID	KEY	PAGE	PART NO.	GRID	KEY	PAGE
H128358	9F23	2	125 - 13	H129311	9D24	4	121 - 47	H129885	7C22	5	80 - 25
H128359	9F15	1	125 - 5	H129312	9D24	2	121 - 47	H129885	10D8	1	130 - 31
H128359	9F17	3	125 - 7	H129328	6G8	20	70 - 105	H129887	3D2	3	40 - 21
H128359	9F19	2	125 - 9	H129367	3C20	31	40 - 15	H129887	3D8	2	40 - 27
H128359	9F21	2	125 - 11	H129389	10C9	3	130 - 7	H129934	9C7	12	121 - 5
H128359	9F23	2	125 - 13	H129406	7D14	13	80 - 41	H129935	9C7	16	121 - 5
H128360	9F15	1	125 - 5	H129406	7D16	17	80 - 43	H129940	3C14	2	40 - 9
H128392	7E16	14	90 - 13	H129440	3C8	2	40 - 3	H129940	3E4	2	40 - 49
H128469	3G12	10A	40 - 105	H129464	10E13	9	130 - 60	H130016	1C18	1	20 - 23
H128479	10D22	10	130 - 45	H129465	10E13	6	130 - 60	H130017	1C18	4	20 - 23
H128489	10D22	4A	130 - 45	H129471	10E13	4	130 - 60	H130039	7D14	11	80 - 41
H128502	7C8	12	80 - 11	H129472	10E13	3	130 - 60	H130040	8C17	18	110 - 15
H128515	4G14	24	50 - 111	H129525	4D6	34	50 - 27	H130057	7C14	11	80 - 17
H128515	4G16	22	50 - 113	H129550	10D18	23	130 - 41	H130057	7C18	11	80 - 21
H128515	5D12	4	60 - 33	H129553	7F12	1	90 - 33	H130058	3C12	2	40 - 7
H128515	5D14	15	60 - 35	H129557	4D19	9	50 - 40	H130058	7F14	2	90 - 35
H128515	5D16	15	60 - 37	H129557	4D20	9	50 - 41	H130068	7G17	4	90 - 63
H128515	6D2	6	70 - 23	H129558	4D8	22	50 - 29	H130091	7H8	23	90 - 79
H128515	6D6	7	70 - 27	H129564	4D6	26	50 - 27	H130137	10D14	15	130 - 37
H128515	6F8	15	70 - 81	H129564	4D8	11	50 - 29	H130140	9C5	10	121 - 3
H128536	4C8	9	50 - 3	H129565	4D6	27	50 - 27	H130152	3C10	4	40 - 5
H128557	4C8	8	50 - 3	H129567	4D8	12	50 - 29	H130153	3C10	10	40 - 5
H128576	10C13	9	130 - 11	H129569	4D6	28	50 - 27	H130166	7G3	13	90 - 49
H128709	9G2	6	125 - 17	H129588	6F10	2	70 - 83	H130190	5C14	3	60 - 11
H128744	7C12	3	80 - 15	H129588	10D8	16	130 - 31	H130191	5C14	1	60 - 11
H128744	7C12	14	80 - 15	H129606	7E8	3	90 - 5	H130192	5D4	24	60 - 25
H128744	7C16	3	80 - 19	H129607	2G4	16	32 - 3	H130192	5D6	11	60 - 27
H128819	3D11	5	40 - 31	H129610	7E22	6	90 - 19	H130192	7H2	24	90 - 73
H128819	3D13	10	40 - 33	H129653	10D14	20	130 - 37	H130192	7H4	11	90 - 75
H128820	3D11	10	40 - 31	H129658	8E9	15	110 - 57	H130192	7I4	9	90 - 101
H128820	3D13	16	40 - 33	H129659	8E13	6	110 - 61	H130194	3C10	15	40 - 5
H128821	3D11	12	40 - 31	H129659	8E15	4	110 - 63	H130194	7I4	10	90 - 101
H128822	3D13	18	40 - 33	H129676	9D2	17	121 - 25	H130195	3C12	3	40 - 7
H128823	3D11	25	40 - 31	H129681	8E9	14	110 - 57	H130195	7F14	3	90 - 35
H128841	3D11	18	40 - 31	H129681	8E13	17	110 - 61	H130195	7I4	11	90 - 101
H128859	3D11	26	40 - 31	H129683	1C1	5	20 - 4	H130223	5D24	12	60 - 45
H128859	7I4	8	90 - 101	H129686	3C12	8	40 - 7	H130223	5D25	12	60 - 46
H128861	10D16	1	130 - 39	H129686	7F14	8	90 - 35	H130224	5D24	11	60 - 45
H128877	10C7	7	130 - 5	H129709	5D23	7	60 - 44	H130224	5D25	11	60 - 46
H128884	7D8	1A	80 - 35	H129709	5D24	6	60 - 45	H130225	5E6	10	60 - 54
H128890	10C13	5	130 - 11	H129709	5D25	6	60 - 46	H130225	5E7	10	60 - 55
H128906	3F8	11	40 - 77	H129716	9I6	35	125 - 69	H130226	5E7	10	60 - 55
H128906	7H14	11	90 - 85	H129716	10D14	11	130 - 37	H130227	5E7	7	60 - 55
H128937	9C11	3	121 - 9	H129723	3C20	1	40 - 15	H130228	5E7	11	60 - 55
H128999	8H4	1	120 - 35	H129723	3C20	33	40 - 15	H130246	7C6	18	80 - 9
H129004	7C22	27	80 - 25	H129749	4C8	4	50 - 3	H130262	10D6	31	130 - 29
H129004	7C24	6	80 - 27	H129760	7C24	5	80 - 27	H130286	4C20	15	50 - 15
H129049	10C25	17	130 - 23	H129760	7E24	13	90 - 21	H130287	4C20	7	50 - 15
H129094	10G6	12	170 - 27	H129760	7F2	5	90 - 23	H130288	4C20	8	50 - 15
H129099	10G8	9	170 - 29	H129761	7E24	12	90 - 21	H130298	3C13	5	40 - 8
H129101	9D22	21	121 - 45	H129761	7F2	4	90 - 23	H130298	7I4	12	90 - 101
H129101	9E4	23	121 - 51	H129763	7E24	2	90 - 21	H130299	3C13	4	40 - 8
H129125	9F2	30	121 - 73	H129763	7F2	10	90 - 23	H130301	7E20	10	90 - 17
H129125	9F4	29	121 - 75	H129765	6G8	23	70 - 105	H130302	7E20	8	90 - 17
H129144	4D8	20	50 - 29	H129825	10D12	17	130 - 35	H130303	7E20	15	90 - 17
H129179	8H4	5	120 - 35	H129833	7D14	16	80 - 41	H130349	7B24	10	80 - 3
H129180	8D22	34	110 - 45	H129833	10D8	28	130 - 31	H130349	7C2	10	80 - 5
H129201	9F15	3	125 - 5	H129833	10D8	45	130 - 31	H130355	8H16	14	120 - 47
H129207	9D22	17	121 - 45	H129839	2G4	22	32 - 3	H130362	7D22	18	80 - 49
H129207	9D24	8	121 - 47	H129843	7D14	14	80 - 41	H130362	7F6	7	90 - 27
H129207	9E6	18	121 - 53	H129843	7D16	18	80 - 43	H130362	7F8	9	90 - 29
H129207	9I12	5	125 - 75	H129844	9C23	3	121 - 21	H130363	7D22	6	80 - 49
H129208	9E18	17	121 - 65	H129844	9C25	3	121 - 23	H130363	10D8	43	130 - 31
H129208	9E22	28	121 - 69	H129845	9C23	9	121 - 21	H130364	7D22	3	80 - 49
H129208	9E24	5	121 - 71	H129854	4D19	12	50 - 40	H130374	7H8	5	90 - 79
H129212	3D23	8	40 - 43	H129854	4D20	12	50 - 41	H130388	5D20	7	60 - 41
H129248	1C5	3	20 - 9	H129855	10D16	5	130 - 39	H130407	4D10	6	50 - 31

1K13

9500 AND SIDEHILL 9500 MAXIMIZER™ COMBINES

NUMERICAL INDEX - CONTINUED

PART NO.	GRID	KEY	PAGE	PART NO.	GRID	KEY	PAGE	PART NO.	GRID	KEY	PAGE
H130424	7C20	2	80 - 23	H131088	8E19	15	110 - 67	H131526	7C20	10	80 - 23
H130425	7C20	12	80 - 23	H131090	8E19	22	110 - 67	H131531	8I22	14	120 - 77
H130431	7C20	6	80 - 23	H131090	8E21	22	110 - 69	H131531	10D6	25	130 - 29
H130432	7C20	5	80 - 23	H131098	9E4	33	121 - 51	H131531	10D8	32	130 - 31
H130448	3C20	10	40 - 15	H131108	8H8	1	120 - 39	H131531	10D12	10	130 - 35
H130448	3C20	24	40 - 15	H131115	4F7	18	50 - 79	H131543	7D20	6	80 - 47
H130449	3C20	27	40 - 15	H131115	4F9	15	50 - 81	H131574	3D19	13	40 - 39
H130450	3C20	17	40 - 15	H131115	4F11	14	50 - 83	H131591	6C7	11	70 - 3
H130451	4G8	14	50 - 105	H131115	4F13	14	50 - 85	H131591	7F12	4	90 - 33
H130451	4G10	9	50 - 107	H131115	4G2	15	50 - 99	H131591	7F20	3	90 - 41
H130451	6F22	14	70 - 95	H131115	5C8	11	60 - 5	H131591	7I4	13	90 - 101
H130451	6F24	8	70 - 97	H131115	5D10	14	60 - 31	H131595	3D15	19	40 - 35
H130452	4G8	7	50 - 105	H131115	6C25	18	70 - 21	H131604	8I22	5	120 - 77
H130452	6F22	7	70 - 95	H131115	6D2	22	70 - 23	H131607	8I22	7	120 - 77
H130453	3C20	39	40 - 15	H131115	6D6	25	70 - 27	H131608	8I22	6	120 - 77
H130454	3C20	22	40 - 15	H131115	6D8	19	70 - 29	H131612	9G2	16	125 - 17
H130455	3C20	20	40 - 15	H131115	6D10	21	70 - 31	H131612	9G12	9	125 - 27
H130510	3D19	22	40 - 39	H131115	6D24	5	70 - 45	H131626	7E22	3	90 - 19
H130511	3D2	9	40 - 21	H131121	4E7	25	50 - 52	H131628	7D22	8	80 - 49
H130511	3D4	8	40 - 23	H131121	4H2	6	50 - 123	H131628	10D8	21	130 - 31
H130515	7F12	6	90 - 33	H131121	6F4	2A	70 - 77	H131638	9I14	18	125 - 77
H130520	3D19	25	40 - 39	H131154	4F7	11	50 - 79	H131639	9I14	17	125 - 77
H130520	10F2	11	160 - 5	H131154	4F15	9	50 - 87	H131661	8I22	16	120 - 77
H130521	7D16	15	80 - 43	H131155	4F7	14	50 - 79	H131673	10D6	20	130 - 29
H130528	8E23	7	110 - 71	H131155	4F11	11	50 - 83	H131674	10D6	17	130 - 29
H130529	8E23	10	110 - 71	H131155	4F13	11	50 - 85	H131675	10D6	15	130 - 29
H130529	8E25	1	110 - 73	H131161	9G2	7	125 - 17	H131703	5C16	14	60 - 13
H130530	8D12	10	110 - 35	H131163	5D10	3	60 - 31	H131720	7E16	9	90 - 13
H130530	8E23	2	110 - 71	H131163	6C9	15	70 - 5	H131721	7E16	11	90 - 13
H130530	8E25	13	110 - 73	H131163	6D2	7	70 - 23	H131743	7C14	13	80 - 17
H130555	7C22	1	80 - 25	H131163	6D6	13	70 - 27	H131743	7C18	13	80 - 21
H130571	8E13	14	110 - 61	H131169	9E4	..	121 - 51	H131743	8C11	3	110 - 9
H130572	8H6	25	120 - 37	H131169	10F5	4	170 - 2	H131754	4C20	11	50 - 15
H130615	7C24	1	80 - 27	H131170	9E4	11	121 - 51	H131754	4D22	9	50 - 43
H130636	7D10	13	80 - 37	H131186	5D6	31	60 - 27	H131865	8J8	1A	120 - 87
H130637	3E20	19	40 - 65	H131186	7H4	31	90 - 75	H131865	9H22	1	125 - 61
H130637	3E22	1	40 - 67	H131227	10D8	14	130 - 31	H131865	9H24	3	125 - 63
H130646	7F18	9	90 - 39	H131228	9C17	2	121 - 15	H131865	10D10	3	130 - 33
H130646	8D24	9	110 - 47	H131230	10D8	4	130 - 31	H131876	7D24	22	80 - 51
H130661	9I6	20	125 - 69	H131256	10D20	3	130 - 43	H131878	8G12	14	120 - 17
H130667	9I6	9	125 - 69	H131259	10D20	12	130 - 43	H131948	1B25	24	20 - 3
H130695	8H16	16	120 - 47	H131261	10D20	9	130 - 43	H131948	1C5	20	20 - 9
H130771	10D16	10	130 - 39	H131262	10D22	13	130 - 45	H131949	1B25	22	20 - 3
H130771	10D16	..	130 - 39	H131263	10D22	12	130 - 45	H131949	1C5	21	20 - 9
H130826	8C11	17	110 - 9	H131264	10D8	3	130 - 31	H131982	3C6	4	40 - 1
H130903	9C17	3	121 - 15	H131296	4D6	11	50 - 27	H131985	3C6	1	40 - 1
H130903	9D4	3	121 - 27	H131297	4D6	14	50 - 27	H131986	8G25	16	120 - 31
H130922	8I6	10	120 - 61	H131298	7E6	1	90 - 3	H131987	8G25	18	120 - 31
H130930	7D12	3	80 - 39	H131299	7E6	2	90 - 3	H131988	8G17	12	120 - 23
H130930	9I6	4	125 - 69	H131300	7E6	13	90 - 3	H131989	8G15	22	120 - 21
H130930	10C9	6	130 - 7	H131301	7E6	11	90 - 3	H131996	4G18	12	50 - 115
H130948	9F13	16	125 - 3	H131302	3C8	4	40 - 3	H131996	4G20	8	50 - 117
H130949	9F13	8	125 - 3	H131319	8I14	1	120 - 69	H132008	7D16	5	80 - 43
H130956	9I10	3	125 - 73	H131336	8H10	6	120 - 41	H132010	3H4	11	40 - 121
H130957	9G18	18	125 - 33	H131356	10D18	25	130 - 41	H132011	4C10	26	50 - 5
H130957	9I10	4	125 - 73	H131362	7D24	19	80 - 51	H132024	10D6	9	130 - 29
H130967	7C6	28	80 - 9	H131424	5D6	7	60 - 27	H132057	8G21	11	120 - 27
H130968	7C6	35	80 - 9	H131424	7G19	10	90 - 65	H132057	8G23	4	120 - 29
H131002	8G15	13	120 - 21	H131424	7H4	7	90 - 75	H132088	10C25	26	130 - 23
H131017	3D25	4	40 - 45	H131424	7I4	15	90 - 101	H132097	10D22	9	130 - 45
H131021	10G8	10	170 - 29	H131452	8C25	3	110 - 23	H132126	4C17	2	50 - 12
H131040	4D3	6	50 - 23	H131470	7D12	2	80 - 39	H132160	8H24	2	120 - 55
H131040	7F16	6	90 - 37	H131482	9D20	5	121 - 43	H132160	8I2	2	120 - 57
H131041	4D3	7	50 - 23	H131485	9D20	11	121 - 43	H132160	8I12	11	120 - 67
H131041	7F16	7	90 - 37	H131516	8I22	3	120 - 77	H132161	8H24	2	120 - 55
H131087	8E19	13	110 - 67	H131526	7C14	1	80 - 17	H132161	8I2	2	120 - 57
H131087	8E21	13	110 - 69	H131526	7C18	1	80 - 21	H132208	9E4	10	121 - 51

1K14

9500 AND SIDEHILL 9500 MAXIMIZER™ COMBINES

NUMERICAL INDEX - CONTINUED

PART NO.	GRID	KEY	PAGE	PART NO.	GRID	KEY	PAGE	PART NO.	GRID	KEY	PAGE
H132208	9E8	19	121 - 55	H132837	6E24	5A	70 - 72	H133097	4D16	3	50 - 37
H132227	10C9	9	130 - 7	H132853	6E24	3	70 - 72	H133097	4D18	3	50 - 39
H132288	8H24	12	120 - 55	H132857	7D20	7	80 - 47	H133098	4D16	3	50 - 37
H132288	8I8	9	120 - 63	H132892	4D6	12	50 - 27	H133098	4D18	3	50 - 39
H132288	8I10	10	120 - 65	H132892	4D8	3	50 - 29	H133100	7G19	28	90 - 65
H132289	8I16	9	120 - 71	H132893	4D6	12	50 - 27	H133106	5D6	15	60 - 27
H132290	8I12	3	120 - 67	H132893	4D8	3	50 - 29	H133106	7H4	15	90 - 75
H132291	8H24	11	120 - 55	H132894	4D6	12	50 - 27	H133143	10C5	14	130 - 3
H132291	8I8	8	120 - 63	H132894	4D8	3	50 - 29	H133145	8F20	1	120 - 1
H132291	8I10	11	120 - 65	H132895	5D4	7	60 - 25	H133152	7C22	19	80 - 25
H132292	8I16	8	120 - 71	H132895	7H2	7	90 - 73	H133153	7C22	18	80 - 25
H132293	8I12	2	120 - 67	H132897	5D4	27	60 - 25	H133165	4D6	22	50 - 27
H132298	9E8	7	121 - 55	H132897	7H2	27	90 - 73	H133178	3E22	15	40 - 67
H132328	8D22	24	110 - 45	H132899	5D4	20	60 - 25	H133178	10D18	14	130 - 41
H132383	5E3	3	60 - 50	H132899	7H2	20	90 - 73	H133199	9E10	4	121 - 57
H132390	9C7	2	121 - 5	H132899	7I4	16	90 - 101	H133199	9E12	4	121 - 59
H132400	9C11	5	121 - 9	H132900	3C13	1	40 - 8	H133199	9E14	4	121 - 61
H132451	3G18	11	40 - 111	H132900	3F12	5	40 - 81	H133201	4D10	13	50 - 31
H132451	7E12	10	90 - 9	H132901	9F2	33	121 - 73	H133202	4D10	14	50 - 31
H132451	7F20	12	90 - 41	H132901	9F4	32	121 - 75	H133202	4D12	15	50 - 33
H132452	7G5	5	90 - 51	H132902	9F6	1	121 - 77	H133205	5D4	14	60 - 25
H132511	7C6	10	80 - 9	H132902	9F8	6	121 - 79	H133205	5D6	1	60 - 27
H132513	3D21	1	40 - 41	H132906	9I2	6	125 - 65	H133205	7G19	12	90 - 65
H132527	3D15	6	40 - 35	H132922	7I2	11	90 - 99	H133205	7H2	14	90 - 73
H132527	3D15	18	40 - 35	H132926	7B24	20	80 - 3	H133205	7H4	1	90 - 75
H132538	7H12	23	90 - 83	H132926	7C2	20	80 - 5	H133208	7F18	11	90 - 39
H132538	10D8	24	130 - 31	H132937	9E20	11	121 - 67	H133208	8D24	11	110 - 47
H132539	7B24	8	80 - 3	H132938	9E20	16	121 - 67	H133210	7F18	7	90 - 39
H132539	7C2	8	80 - 5	H132948	7D20	4	80 - 47	H133210	8D24	7	110 - 47
H132539	10C5	6	130 - 3	H132949	7D20	10	80 - 47	H133219	7E14	17	90 - 11
H132540	8H4	18	120 - 35	H132965	3C20	15	40 - 15	H133229	4C20	10	50 - 15
H132541	8G17	4	120 - 23	H132970	6G8	19	70 - 105	H133229	4D22	6	50 - 43
H132541	8G25	1	120 - 31	H132976	9F2	31	121 - 73	H133230	4C20	12	50 - 15
H132541	8H4	14	120 - 35	H132976	9F4	30	121 - 75	H133230	4D22	8	50 - 43
H132542	10D6	23	130 - 29	H132986	8D2	8	110 - 25	H133244	4C20	14	50 - 15
H132554	4D10	11	50 - 31	H132988	8D2	6	110 - 25	H133246	4C20	14	50 - 15
H132554	4D12	12	50 - 33	H132992	7C6	33	80 - 9	H133248	4C20	14	50 - 15
H132597	3D15	8	40 - 35	H132995	9C15	19	121 - 13	H133287	8I18	4	120 - 73
H132618	4D8	13	50 - 29	H132998	9F15	13	125 - 5	H133288	8I18	2	120 - 73
H132661	3C10	11	40 - 5	H133008	4D8	9	50 - 29	H133320	5D22	2	60 - 43
H132662	7H12	13	90 - 83	H133010	4D8	10	50 - 29	H133327	7E24	25	90 - 21
H132662	7I2	24	90 - 99	H133024	10E16	13	130 - 63	H133351	5C20	27	60 - 17
H132662	10D8	10	130 - 31	H133025	10E16	26	130 - 63	H133352	4C25	4	50 - 20
H132666	3F12	..	40 - 81	H133026	10E16	17	130 - 63	H133384	3C14	5	40 - 9
H132666	10D6	32	130 - 29	H133031	9I10	8	125 - 73	H133391	7E10	2	90 - 7
H132686	3F12	7	40 - 81	H133042	7C6	23	80 - 9	H133408	9E2	11	121 - 49
H132687	3F12	3	40 - 81	H133047	4D3	20	50 - 23	H133409	9E2	12A	121 - 49
H132708	9I6	3	125 - 69	H133047	7F16	20	90 - 37	H133413	7E14	10	90 - 11
H132777	4D8	1	50 - 29	H133049	1C12	2A	20 - 17	H133414	7E14	5	90 - 11
H132780	3D17	22	40 - 37	H133051	1C12	2A	20 - 17	H133415	7E14	12	90 - 11
H132793	7C6	32	80 - 9	H133051	1C12	2B	20 - 17	H133470	6F8	8	70 - 81
H132795	3C10	13	40 - 5	H133051	1C12	4	20 - 17	H133488	10G6	4	170 - 27
H132795	3D17	18	40 - 37	H133051	1C12	12B	20 - 17	H133488	10G9	28	170 - 30
H132800	3D19	19	40 - 39	H133060	5D8	8	60 - 29	H133489	9E8	27	121 - 55
H132800	3H7	4	40 - 125	H133060	8D2	5	110 - 25	H133508	8E9	22	110 - 57
H132800	10F2	13	160 - 5	H133081	8H16	30	120 - 47	H133508	8E11	19	110 - 59
H132808	1C5	4	20 - 9	H133088	4D22	3	50 - 43	H133514	7E24	20	90 - 21
H132808	10F6	1	170 - 3	H133089	4D16	2	50 - 37	H133514	7F2	13	90 - 23
H132811	10G8	12	170 - 29	H133089	4D18	2	50 - 39	H133541	9I14	2	125 - 77
H132812	3E8	6	40 - 53	H133090	4D16	9	50 - 37	H133576	1B23	3	20 - 1
H132813	3E8	6	40 - 53	H133091	4D16	9	50 - 37	H133576	10F6	2	170 - 3
H132820	8G17	23	120 - 23	H133092	4D16	5	50 - 37	H133579	10E10	15	130 - 57
H132820	8G25	20	120 - 31	H133092	4D18	5	50 - 39	H133584	10D6	1	130 - 29
H132821	8G17	1	120 - 23	H133094	4D19	1	50 - 40	H133598	8I6	17	120 - 61
H132822	7D14	12	80 - 41	H133094	4D20	1	50 - 41	H133598	8I14	23	120 - 69
H132822	7D16	16	80 - 43	H133096	4D16	3	50 - 37	H133598	9E4	56	121 - 51
H132825	8E6	8	110 - 53	H133096	4D18	3	50 - 39	H133599	8I6	13	120 - 61

1K15

9500 AND SIDEHILL 9500 MAXIMIZER™ COMBINES

NUMERICAL INDEX - CONTINUED

PART NO.	GRID	KEY	PAGE	PART NO.	GRID	KEY	PAGE	PART NO.	GRID	KEY	PAGE
H133600	8I14	22	120 - 69	H133812	9F4	14	121 - 75	H134165	8G2	9	120 - 7
H133601	8I14	22	120 - 69	H133824	3E20	8	40 - 65	H134165	8G4	9	120 - 9
H133602	8I6	13	120 - 61	H133827	5C4	17	60 - 1	H134168	8F20	4	120 - 1
H133603	9E4	47	121 - 51	H133828	10D8	15	130 - 31	H134169	3C20	4	40 - 15
H133621	9E4	52	121 - 51	H133843	8C11	4	110 - 9	H134171	3D25	6	40 - 45
H133632	8G17	20	120 - 23	H133851	3G12	3	40 - 105	H134172	3D25	7	40 - 45
H133632	8G23	2	120 - 29	H133852	3G12	1	40 - 105	H134181	2G4	20	32 - 3
H133633	8G17	10	120 - 23	H133970	2G20	12	32 - 19	H134213	8H16	8	120 - 47
H133633	8G25	12	120 - 31	H133972	2G20	3	32 - 19	H134214	1B25	25	20 - 3
H133635	4C20	15	50 - 15	H133981	3G12	6	40 - 105	H134214	1C5	19	20 - 9
H133636	4D3	9	50 - 23	H133989	8C13	3	110 - 11	H134214	3F8	12	40 - 77
H133636	7F16	9	90 - 37	H133989	8E9	3	110 - 57	H134214	7H14	9	90 - 85
H133638	10D4	9	130 - 27	H133989	8E11	3	110 - 59	H134216	1B25	45	20 - 3
H133638	10G13	4	170 - 35	H133990	8C13	4	110 - 11	H134216	10F6	3	170 - 3
H133638	10G14	4	170 - 36	H133990	8E9	4	110 - 57	H134229	8G15	6	120 - 21
H133639	8C7	22	110 - 5	H133990	8E11	4	110 - 59	H134230	8G15	1	120 - 21
H133639	10G6	11	170 - 27	H133996	10G8	3	170 - 29	H134232	8G15	4	120 - 21
H133639	10G9	26	170 - 30	H133998	3F13	6	40 - 82	H134286	10C11	1	130 - 9
H133640	10G6	3	170 - 27	H134000	3F13	3	40 - 82	H134287	10C11	2	130 - 9
H133640	10G9	20	170 - 30	H134002	8E19	3	110 - 67	H134297	2G4	10	32 - 3
H133641	10G13	2	170 - 35	H134002	8E21	3	110 - 69	H134298	2G4	9	32 - 3
H133642	10G8	2	170 - 29	H134025	8H12	25	120 - 43	H134299	2G4	7	32 - 3
H133643	10G8	14	170 - 29	H134028	8H10	10	120 - 41	H134306	7D22	11	80 - 49
H133645	3E20	11	40 - 65	H134029	8H10	1	120 - 41	H134308	8H16	29	120 - 47
H133645	3E22	2	40 - 67	H134055	9I16	7	125 - 79	H134308	9I4	1	125 - 67
H133649	8H6	3	120 - 37	H134065	9I14	31	125 - 77	H134308	10C5	20	130 - 3
H133654	10C5	15	130 - 3	H134068	9I14	6	125 - 77	H134314	9I4	2	125 - 67
H133659	4F15	1	50 - 87	H134072	7C6	14	80 - 9	H134317	9I4	4	125 - 67
H133659	4F17	1	50 - 89	H134073	7C6	15	80 - 9	H134317	9I8	2	125 - 71
H133659	4F19	22	50 - 91	H134073	7C12	19	80 - 15	H134335	8F22	11	120 - 3
H133659	4F21	1	50 - 93	H134073	7C16	19	80 - 19	H134338	8F22	17	120 - 3
H133659	4F23	22	50 - 95	H134081	7C20	14	80 - 23	H134339	8F22	15	120 - 3
H133659	4F25	1	50 - 97	H134085	8C5	13	110 - 3	H134343	5C16	8	60 - 13
H133659	5C8	13	60 - 5	H134085	8C7	17	110 - 5	H134344	3F3	3	40 - 72
H133659	5D10	19	60 - 31	H134085	8C9	13	110 - 7	H134344	10F5	1	170 - 2
H133659	6E5	5	70 - 51	H134087	8E4	21	110 - 51	H134353	5D6	23	60 - 27
H133660	4D3	8	50 - 23	H134087	8F4	16	110 - 77	H134353	7H4	23	90 - 75
H133660	7F16	8	90 - 37	H134088	8F6	10	110 - 79	H134354	1C1	8	20 - 4
H133662	4D3	14	50 - 23	H134102	7C14	3	80 - 17	H134357	8H10	5	120 - 41
H133662	7F16	14	90 - 37	H134102	7C18	3	80 - 21	H134359	9D24	11	121 - 47
H133665	7E6	5	90 - 3	H134105	7C14	25	80 - 17	H134367	3D13	25	40 - 33
H133666	7E6	7	90 - 3	H134105	7C18	25	80 - 21	H134383	7D8	8	80 - 35
H133667	9D22	7	121 - 45	H134106	7C12	2	80 - 15	H134387	9C7	21A	121 - 5
H133669	4G18	16	50 - 115	H134106	7C16	2	80 - 19	H134389	1C18	10	20 - 23
H133669	4G20	12	50 - 117	H134107	7C14	23	80 - 17	H134396	2G4	12	32 - 3
H133671	4G18	13	50 - 115	H134107	7C18	23	80 - 21	H134403	7C6	34	80 - 9
H133671	4G20	9	50 - 117	H134108	7C14	4	80 - 17	H134409	1C1	9	20 - 4
H133674	4G8	20	50 - 105	H134108	7C18	4	80 - 21	H134414	7D8	10	80 - 35
H133675	6G6	14	70 - 103	H134114	4C14	3	50 - 9	H134417	3D19	24	40 - 39
H133686	9I14	29	125 - 77	H134114	4C15	8	50 - 10	H134417	8D14	2	110 - 37
H133688	6F10	10	70 - 83	H134114	4C16	2	50 - 11	H134417	10F2	10	160 - 5
H133690	6F10	12	70 - 83	H134117	2G14	7	32 - 13	H134418	8G17	7	120 - 23
H133690	10E16	31	130 - 63	H134117	2G18	5	32 - 17	H134420	8G17	8	120 - 23
H133728	3F22	3	40 - 91	H134118	8I6	11	120 - 61	H134424	5D8	23	60 - 29
H133738	5C6	8	60 - 3	H134118	8I14	19	120 - 69	H134424	6C9	10	70 - 5
H133739	5C6	11	60 - 3	H134124	2G20	8	32 - 19	H134424	6D2	14	70 - 23
H133740	5C6	13	60 - 3	H134140	8C11	16	110 - 9	H134424	6D6	19	70 - 27
H133741	5C6	16	60 - 3	H134143	1C5	7	20 - 9	H134425	5D8	25	60 - 29
H133742	5C6	10	60 - 3	H134144	1C5	10	20 - 9	H134425	6C9	8	70 - 5
H133743	5C6	4	60 - 3	H134145	1C5	15A	20 - 9	H134425	6D2	9	70 - 23
H133745	5C6	7	60 - 3	H134151	8G2	16	120 - 7	H134425	6D6	17	70 - 27
H133747	5C6	12	60 - 3	H134154	8G2	14	120 - 7	H134426	5D8	21	60 - 29
H133748	5C6	20	60 - 3	H134157	8G2	3	120 - 7	H134426	6C9	7	70 - 5
H133751	1C12	9	20 - 17	H134160	8G2	1	120 - 7	H134426	6D2	13	70 - 23
H133768	8I20	5	120 - 75	H134163	8G2	15	120 - 7	H134426	6D6	20	70 - 27
H133789	8I20	9	120 - 75	H134164	8G2	18	120 - 7	H134427	5D8	22	60 - 29
H133812	9F2	14	121 - 73	H134164	8G4	18	120 - 9	H134427	6C9	5	70 - 5

1K16

9500 AND SIDEHILL 9500 MAXIMIZER™ COMBINES

NUMERICAL INDEX - CONTINUED

PART NO.	GRID	KEY	PAGE	PART NO.	GRID	KEY	PAGE	PART NO.	GRID	KEY	PAGE
H134427	6D2	12	70 - 23	H134620	10G2	5	170 - 23	H135017	9G16	40	125 - 31
H134427	6D6	18	70 - 27	H134620	10G6	9	170 - 27	H135036	8G17	18	120 - 23
H134428	5D10	7	60 - 31	H134622	5D6	41A	60 - 27	H135037	8G17	18	120 - 23
H134428	6D2	20	70 - 23	H134622	7H4	41A	90 - 75	H135072	3E20	8	40 - 65
H134428	6D6	24	70 - 27	H134623	5D6	45	60 - 27	H135072	3E22	4	40 - 67
H134429	6C23	15	70 - 19	H134623	7H4	45	90 - 75	H135112	4C25	5	50 - 20
H134429	6D4	7	70 - 25	H134624	5D6	44	60 - 27	H135114	3C10	11	40 - 5
H134434	5D10	11	60 - 31	H134624	7H4	44	90 - 75	H135126	10G13	2	170 - 35
H134434	6D2	16	70 - 23	H134635	5D4	22A	60 - 25	H135128	10G6	3	170 - 27
H134434	6D6	22	70 - 27	H134635	7H2	22	90 - 73	H135128	10G9	20	170 - 30
H134437	7H14	17	90 - 85	H134647	9F6	8	121 - 77	H135129	10G13	4	170 - 35
H134437	10F6	4	170 - 3	H134652	9F6	12	121 - 77	H135129	10G14	4	170 - 36
H134442	4C14	..	50 - 9	H134652	9F8	16	121 - 79	H135130	10G6	11	170 - 27
H134442	4C16	..	50 - 11	H134654	8G2	6	120 - 7	H135131	10G8	10	170 - 29
H134442	10G11	3	170 - 33	H134654	8G4	20	120 - 9	H135132	10G8	12	170 - 29
H134444	4C20	13	50 - 15	H134654	8G6	20	120 - 11	H135133	10G8	2	170 - 29
H134444	4D22	7	50 - 43	H134654	8G8	15	120 - 13	H135134	10G8	14	170 - 29
H134463	9E4	20A	121 - 51	H134655	7I2	12	90 - 99	H135141	10G11	3	170 - 33
H134464	7C14	11	80 - 17	H134666	7B24	2	80 - 3	H135147	7C12	16	80 - 15
H134464	7C18	11	80 - 21	H134667	10G13	8	170 - 35	H135147	7C16	16	80 - 19
H134470	5D8	16	60 - 29	H134671	7E14	9	90 - 11	H135148	7C14	6	80 - 17
H134474	3F20	4	40 - 89	H134678	9F6	6	121 - 77	H135148	7C18	6	80 - 21
H134475	3F20	5	40 - 89	H134681	8H20	10	120 - 51	H135154	6F12	10	70 - 85
H134476	3F20	7	40 - 89	H134681	8H20	12	120 - 51	H135155	5D8	12	60 - 29
H134488	7F18	5	90 - 39	H134681	8H22	15	120 - 53	H135156	5C8	6	60 - 5
H134488	8D24	5	110 - 47	H134690	2G14	9	32 - 13	H135156	5D14	6	60 - 35
H134489	7F18	4	90 - 39	H134690	2G16	20	32 - 15	H135156	5D16	6	60 - 37
H134489	8D24	4	110 - 47	H134690	4G18	8	50 - 115	H135156	6D8	12	70 - 29
H134506	7C14	14	80 - 17	H134690	6C17	7	70 - 13	H135156	6H2	4	70 - 125
H134506	7C18	14	80 - 21	H134716	9G16	21	125 - 31	H135156	6H4	5	70 - 127
H134520	7C8	9	80 - 11	H134723	7F10	11A	90 - 31	H135156	6H6	22	70 - 129
H134525	7C10	5	80 - 13	H134724	7F10	10	90 - 31	H135158	8H2	8	120 - 33
H134527	7C10	10	80 - 13	H134733	8C5	17A	110 - 3	H135167	10G9	22	170 - 30
H134528	1B23	11	20 - 1	H134734	8E23	4	110 - 71	H135173	4D10	4	50 - 31
H134528	1B25	41	20 - 3	H134735	8E23	3	110 - 71	H135192	10D14	24	130 - 37
H134530	7C8	4	80 - 11	H134738	7C12	11	80 - 15	H135193	10D14	26	130 - 37
H134531	4D22	11	50 - 43	H134738	7C16	9	80 - 19	H135209	9H22	4	125 - 61
H134532	5D8	35	60 - 29	H134757	8H2	10	120 - 33	H135211	4E5	14	50 - 50
H134535	7E16	5	90 - 13	H134758	8H2	5	120 - 33	H135213	4E5	13	50 - 50
H134535	10F16	5	170 - 13	H134760	9D24	18	121 - 47	H135214	4E5	12	50 - 50
H134535	10G6	9	170 - 27	H134760	10C13	13	130 - 11	H135215	4E5	1	50 - 50
H134536	7F10	12	90 - 31	H134760	10C25	4	130 - 23	H135224	3F14	3	40 - 83
H134544	7F6	11	90 - 27	H134767	4D3	3	50 - 23	H135225	8I22	2	120 - 77
H134544	7F8	14	90 - 29	H134767	7F16	3	90 - 37	H135235	9I7	10	125 - 70
H134547	5D23	4	60 - 44	H134767	10G9	21	170 - 30	H135242	10G9	21	170 - 30
H134547	5D24	3	60 - 45	H134773	9D2	2	121 - 25	H135245	7C14	24	80 - 17
H134547	5D25	3	60 - 46	H134816	8G25	10	120 - 31	H135245	7C18	24	80 - 21
H134548	5D23	9	60 - 44	H134826	9I6	22	125 - 69	H135246	8G17	6	120 - 23
H134548	5D24	8	60 - 45	H134831	3D25	8	40 - 45	H135246	8G25	5	120 - 31
H134548	5D25	8	60 - 46	H134848	1C6	2	20 - 10	H135252	10G6	8	170 - 27
H134549	5D24	2	60 - 45	H134853	8F22	10	120 - 3	H135253	10G8	1	170 - 29
H134549	5D25	2	60 - 46	H134853	8F24	6	120 - 5	H135286	10C23	5	130 - 21
H134550	5E6	9	60 - 54	H134856	1C7	3	20 - 11	H135287	10C23	9	130 - 21
H134550	5E7	9	60 - 55	H134856	1C8	3	20 - 12	H135292	9D4	44	121 - 27
H134557	5E5	7	60 - 52	H134856	1C9	3	20 - 13	H135309	9I14	22	125 - 77
H134558	5D8	7	60 - 29	H134887	8D4	3	110 - 27	H135316	8G23	5	120 - 29
H134558	6C23	19	70 - 19	H134889	9G10	8	125 - 25	H135392	7C14	20	80 - 17
H134558	6D4	11	70 - 25	H134896	8C11	9	110 - 9	H135392	7C18	20	80 - 21
H134600	4C14	2	50 - 9	H134910	7C10	3	80 - 13	H135393	7C14	16	80 - 17
H134600	4C15	7	50 - 10	H134913	7C10	11	80 - 13	H135393	7C18	16	80 - 21
H134600	4C16	1	50 - 11	H134915	7C10	16	80 - 13	H135395	9D24	10	121 - 47
H134602	5D4	21A	60 - 25	H134917	7C10	7	80 - 13	H135396	8H16	13	120 - 47
H134602	7H2	21	90 - 73	H134930	7C12	12	80 - 15	H135405	10G8	17	170 - 29
H134603	9I2	27	125 - 65	H134930	7C16	10	80 - 19	H135406	10G8	17	170 - 29
H134603	9I7	8	125 - 70	H134962	9I16	12	125 - 79	H135407	6D14	1	70 - 35
H134605	9I2	25	125 - 65	H134963	9I16	13	125 - 79	H135407	8C5	9	110 - 3
H134606	9I7	7	125 - 70	H134996	8H18	17	120 - 49	H135407	8C7	11	110 - 5

NUMERICAL INDEX - CONTINUED

PART NO.	GRID	KEY	PAGE	PART NO.	GRID	KEY	PAGE	PART NO.	GRID	KEY	PAGE
H135409	7H8	31	90 - 79	H135777	6F2	15	70 - 75	H136186	10C19	10	130 - 17
H135410	9E4	2	121 - 51	H135844	9H4	1	125 - 43	H136209	10C23	8	130 - 21
H135410	9E8	13	121 - 55	H135844	9H6	10	125 - 45	H136257	9G18	5	125 - 33
H135410	9F2	24	121 - 73	H135849	9E6	2	121 - 53	H136257	9G20	5	125 - 35
H135410	9F4	23	121 - 75	H135850	8H6	18	120 - 37	H136263	9H7	1A	125 - 46
H135417	9E8	21	121 - 55	H135850	9E6	7	121 - 53	H136263	9H8	1	125 - 47
H135417	10F7	4	170 - 4	H135860	7D8	3	80 - 35	H136279	9H4	8	125 - 43
H135422	8H10	16	120 - 41	H135887	7E14	11	90 - 11	H136280	9G22	1	125 - 37
H135423	9E4	37	121 - 51	H135891	8D14	30	110 - 37	H136299	9H4	6	125 - 43
H135452	10C23	14	130 - 21	H135891	8G12	..	120 - 17	H136300	9H4	5	125 - 43
H135453	10C23	17	130 - 21	H135891	8G19	7	120 - 25	H136304	10C21	5	130 - 19
H135454	10C23	2	130 - 21	H135897	6E23	7A	70 - 71	H136306	10C21	4	130 - 19
H135475	8H12	18	120 - 43	H135898	6E23	20	70 - 71	H136334	5E6	11	60 - 54
H135476	8D2	6	110 - 25	H135898	6F2	20	70 - 75	H136335	5E6	7	60 - 54
H135493	9G16	8	125 - 31	H135923	8I22	2	120 - 77	H136336	6D2	37	70 - 23
H135494	9G16	23	125 - 31	H135941	8C11	12	110 - 9	H136336	8E4	27	110 - 51
H135497	4E7	27	50 - 52	H135941	8C11	20	110 - 9	H136541	7H12	16	90 - 83
H135497	4E8	27	50 - 53	H135942	4D8	12	50 - 29	H136541	10D8	23	130 - 31
H135498	4E4	18	50 - 49	H135943	4D6	28	50 - 27	H136564	2G14	1	32 - 13
H135499	4E2	18	50 - 47	H135944	4D8	9	50 - 29	H136565	2G16	1	32 - 15
H135500	4E2	16	50 - 47	H135964	6D16	11	70 - 37	H136566	2G14	4	32 - 13
H135500	4E12	12	50 - 57	H135964	10E24	11	160 - 3	H136567	2G16	4	32 - 15
H135500	4E13	1	50 - 58	H135965	7D14	8	80 - 41	H136568	2G14	3	32 - 13
H135503	4E5	7	50 - 50	H135965	7D16	11	80 - 43	H136569	2G16	3	32 - 15
H135504	4E5	8	50 - 50	H135974	5C8	8	60 - 5	H136570	10E16	12	130 - 63
H135505	4E7	1	50 - 52	H135974	6D8	16	70 - 29	H136572	10D14	25	130 - 37
H135508	4E12	20	50 - 57	H135974	6D10	18	70 - 31	H136573	10D14	27	130 - 37
H135509	4E12	14	50 - 57	H135988	8G12	24A	120 - 17	H136575	4C10	13	50 - 5
H135511	9D24	29	121 - 47	H136011	7E24	30	90 - 21	H136577	2G14	9	32 - 13
H135512	9D24	9	121 - 47	H136011	7F2	17	90 - 23	H136577	2G16	20	32 - 15
H135519	8J6	9	120 - 85	H136012	7E24	27	90 - 21	H136577	7C16	27	80 - 19
H135538	10C15	13	130 - 13	H136013	8C11	3	110 - 9	H136582	9I2	30	125 - 65
H135542	8I2	8	120 - 57	H136013	8C13	11	110 - 11	H136583	10G9	23	170 - 30
H135544	8I2	7	120 - 57	H136014	7C18	28	80 - 21	H136589	7E14	15	90 - 11
H135566	6F4	12	70 - 77	H136015	7C18	27	80 - 21	H136590	7E14	20	90 - 11
H135567	4E5	11	50 - 50	H136015	8C11	6	110 - 9	H136591	7C12	9	80 - 15
H135569	6F4	1	70 - 77	H136015	8C13	10	110 - 11	H136603	7H14	25	90 - 85
H135570	4E7	9	50 - 52	H136018	5C20	22	60 - 17	H136609	8I2	10	120 - 57
H135570	4E8	9	50 - 53	H136047	9I6	6	125 - 69	H136611	8I2	11	120 - 57
H135571	4E12	5	50 - 57	H136054	9I6	8	125 - 69	H136808	8C13	13	110 - 11
H135588	10D2	9	130 - 25	H136055	9I6	8	125 - 69	H137187	8I6	1A	120 - 61
H135590	10D2	12	130 - 25	H136056	7E14	19	90 - 11	H137188	8I14	20	120 - 69
H135590	10D4	12	130 - 27	H136094	10C15	1	130 - 13	H137201	10G14	1	170 - 36
H135599	9E8	25	121 - 55	H136095	10C15	1	130 - 13	H137202	10G14	2	170 - 36
H135608	5D8	15	60 - 29	H136109	3G20	8	40 - 113	H137203	8G15	20	120 - 21
H135610	7C12	21	80 - 15	H136109	7F6	16	90 - 27	H137203	8G25	17	120 - 31
H135610	7C16	21	80 - 19	H136109	7F8	17	90 - 29	H137204	8G15	21	120 - 21
H135614	7E10	1	90 - 7	H136110	3G20	6	40 - 113	H137204	8G25	14	120 - 31
H135615	7E10	6	90 - 7	H136110	7F6	14	90 - 27	H137215	8H10	21	120 - 41
H135618	6C23	17	70 - 19	H136110	7F8	16	90 - 29	H137225	6F12	1	70 - 85
H135618	6D4	9	70 - 25	H136115	5D23	2	60 - 44	H137225	10D18	21A	130 - 41
H135619	5D8	31	60 - 29	H136126	7E24	33	90 - 21	H137227	10D18	23	130 - 41
H135622	9D24	27A	121 - 47	H136126	7F2	21	90 - 23	H137261	7C14	15	80 - 17
H135623	9D24	28A	121 - 47	H136127	7E24	32	90 - 21	H137261	7C18	15	80 - 21
H135641	6D18	2	70 - 39	H136127	7F2	19	90 - 23	H137264	9E8	21	121 - 55
H135641	6D20	4	70 - 41	H136133	9G10	5	125 - 25	H137264	10F7	4	170 - 4
H135641	6D22	4	70 - 43	H136142	7E22	1	90 - 19	H137266	9E8	7	121 - 55
H135713	10C13	6	130 - 11	H136143	7E22	1	90 - 19	H137267	7C12	20	80 - 15
H135772	3H7	9	40 - 125	H136144	8D2	1	110 - 25	H137267	7C16	20	80 - 19
H135772	8D12	6	110 - 35	H136145	4D4	6A	50 - 24	H137276	10C9	10	130 - 7
H135772	8E17	11	110 - 65	H136145	4D4	6B	50 - 24	H137296	8D4	4	110 - 27
H135773	3H7	10	40 - 125	H136158	7E18	20	90 - 15	H137303	3D25	9	40 - 45
H135776	6E14	26	70 - 61	H136158	10G13	3	170 - 35	H137322	8C13	5	110 - 11
H135776	6E23	16	70 - 71	H136163	4E10	27	50 - 55	H137322	8E9	5	110 - 57
H135777	6E17	27	70 - 65	H136179	9G2	30	125 - 17	H137323	2G4	26	32 - 3
H135777	6E19	23	70 - 67	H136179	9G6	8	125 - 21	H137326	7H8	33	90 - 79
H135777	6E23	15	70 - 71	H136186	10C17	13	130 - 15	H137333	4D4	6A	50 - 24

1K18

9500 AND SIDEHILL 9500 MAXIMIZER™ COMBINES

NUMERICAL INDEX - CONTINUED

PART NO.	GRID	KEY	PAGE	PART NO.	GRID	KEY	PAGE	PART NO.	GRID	KEY	PAGE
H137334	4D4	2A	50-24	H137939	10G8	18	170-29	H139132	9E12	7	121-59
H137343	7D6	8	80-33	H137940	10G8	18	170-29	H139132	9E14	7	121-61
H137347	8H20	6	120-51	H137947	8G17	14	120-23	H139320	4C14	6	50-9
H137348	8H20	5	120-51	H138075	1C12	3A	20-17	H139338	3F10	5A	40-79
H137356	10G8	5	170-29	H138085	9D6	1	121-29	H139338	8F22	8	120-3
H137358	7E24	5	90-21	H138200	3E14	33	40-59	H139392	10G6	6	170-27
H137360	7E24	10	90-21	H138297	7E16	4	90-13	H139393	10G6	7	170-27
H137360	7F2	2	90-23	H138303	9G18	13	125-33	H139427	5D4	41A	60-25
H137364	10G14	1	170-36	H138344	8J6	8	120-85	H139427	7H2	41	90-73
H137365	10G14	2	170-36	H138344	9E2	23	121-49	H139431	10G8	7	170-29
H137389	8H18	17	120-49	H138407	3C20	1	40-15	H139448	6G11	9	70-109
H137402	7G17	15A	90-63	H138410	5D22	7B	60-43	H139448	6G13	9	70-111
H137417	7G5	4	90-51	H138411	5D10	9	60-31	H139512	6E23	14B	70-71
H137418	7G5	9	90-51	H138411	6D2	15	70-23	H139512	6F2	14	70-75
H137420	7G5	11	90-51	H138411	6D6	21	70-27	H139513	6E23	7A	70-71
H137421	7G5	10	90-51	H138423	6D18	13	70-39	H139513	6E23	7B	70-71
H137426	10G13	1	170-35	H138423	6D20	15	70-41	H139513	6F2	7	70-75
H137427	10G13	1	170-35	H138423	6D22	6	70-43	H139515	6E23	7A	70-71
H137447	7F10	9	90-31	H138423	10G8	13	170-29	H139515	6E23	24	70-71
H137458	7C24	11	80-27	H138435	8D14	4	110-37	H139515	6F2	7	70-75
H137523	6C7	6	70-3	H138435	8D16	14	110-39	H139515	6F2	14	70-75
H137534	7D20	12	80-47	H138435	8E2	12	110-49	H139515	6F2	24	70-75
H137538	3C10	18	40-5	H138435	8F8	23	110-81	H139545	9E22	24	121-69
H137539	3C10	18	40-5	H138435	8J6	12	120-85	H139545	9E24	22	121-71
H137570	9F2	9	121-73	H138435	9E8	29	121-55	H139545	9F2	10	121-73
H137585	9I4	9	125-67	H138435	9F2	5	121-73	H139545	9F4	10	121-75
H137593	6D18	17	70-39	H138435	9F2	16	121-73	H139600	9F17	4	125-7
H137596	6D20	21	70-41	H138435	9F25	8	125-15	H139600	9F19	4	125-9
H137602	9H14	33	125-53	H138435	9G16	42	125-31	H139603	4C14	..	50-9
H137603	9H14	28	125-53	H138435	9I2	1	125-65	H139603	10G11	3	170-33
H137606	10C23	21	130-21	H138435	9I14	36	125-77	H139656	5C22	1	60-19
H137667	5D6	49	60-27	H138435	9I16	1	125-79	H139667	8I24	1	120-79
H137667	7H4	49	90-75	H138435	10E12	1	130-59	H139667	8J2	1	120-81
H137667	7H6	49	90-77	H138435	10E16	38	130-63	H139667	8J4	1	120-83
H137672	4D19	7	50-40	H138592	10C5	15	130-3	H139670	9G18	10	125-33
H137672	4D20	7	50-41	H138606	4C14	2	50-9	H139709	9D12	1	121-35
H137729	9H16	14	125-55	H138607	4C14	1	50-9	H139807	5E6	9	60-54
H137731	3D25	3	40-45	H138607	4C15	4	50-10	H139807	5E7	9	60-55
H137732	3D25	10	40-45	H138607	4C16	5	50-11	H139837	8E9	23	110-57
H137779	4G21	2	50-118	H138753	8E19	28	110-67	H139937	9G22	5	125-37
H137814	10E16	41	130-63	H138753	8E19	31	110-67	H139938	9G22	4	125-37
H137815	9E8	36	121-55	H138753	8E21	28	110-69	H139948	10G6	14	170-27
H137817	9E8	34	121-55	H138798	3C10	11	40-5	H139948	10G8	15	170-29
H137817	9E8	..	121-55	H138930	10D18	19	130-41	H139949	10G6	14	170-27
H137823	7F20	13	90-41	H138955	7E16	17A	90-13	H139949	10G8	15	170-29
H137830	10C13	15	130-11	H138987	1C1	7	20-4	H139964	9H12	7	125-51
H137830	10C25	10	130-23	H138989	7D6	7	80-33	H139969	10D2	10	130-25
H137830	10F6	5	170-3	H138989	9F8	17	121-79	H139972	10D8	27	130-31
H137854	7G21	1	90-67	H138989	10G6	2	170-27	H139988	9G22	8	125-37
H137855	7G21	6	90-67	H138989	10G8	8	170-29	H139988	9G24	8	125-39
H137856	7G21	4	90-67	H138989	10G13	7	170-35	H139988	9H2	16	125-41
H137857	7G21	5	90-67	H139005	9H7	2	125-46	H139989	10G6	5	170-27
H137858	7G21	3	90-67	H139005	9H8	2	125-47	H140019	8I24	3	120-79
H137859	7G21	5	90-67	H139006	9H4	7	125-43	H140020	8J6	16	120-85
H137865	9H10	13	125-49	H139006	9H10	5	125-49	H140043	8G12	2	120-17
H137866	9H10	8	125-49	H139007	9G22	11	125-37	H140043	8G21	2	120-27
H137867	9H10	3	125-49	H139008	9G22	15	125-37	H140043	9D6	16	121-29
H137869	10E16	12	130-63	H139036	10G6	2	170-27	H140070	8I24	4	120-79
H137916	10C17	6	130-15	H139036	10G8	8	170-29	H140074	3E8	18	40-53
H137916	10C19	6	130-17	H139036	10G13	7	170-35	H140074	8I24	5	120-79
H137919	10C17	8	130-15	H139049	10G8	13	170-29	H140075	1C8	8	20-12
H137919	10C17	9	130-15	H139056	7D14	5	80-41	H140076	1C8	10	20-12
H137919	10C19	12	130-17	H139056	10D8	28	130-31	H140096	10C15	15	130-13
H137939	8C5	24	110-3	H139098	8E21	19	110-69	H140097	10C15	11	130-13
H137939	8C7	20	110-5	H139098	8G17	25	120-23	H140122	8C5	10	110-3
H137939	8C9	24	110-7	H139098	8G19	9	120-25	H140122	8C7	6	110-5
H137939	10F2	8	160-5	H139132	9E10	7	121-57	H140122	8C9	10	110-7

1K19

9500 AND SIDEHILL 9500 MAXIMIZER™ COMBINES

NUMERICAL INDEX - CONTINUED

PART NO.	GRID	KEY	PAGE	PART NO.	GRID	KEY	PAGE	PART NO.	GRID	KEY	PAGE
H140135	5C21	8	60 - 18	H140678	8I24	8	120 - 79	H141167	10C13	15	130 - 11
H140149	9I20	4	125 - 83	H140691	5C12	21	60 - 9	H141167	10C25	10	130 - 23
H140160	8F4	7	110 - 77	H140692	5C12	11	60 - 9	H141167	10F6	5	170 - 3
H140160	9D2	26	121 - 25	H140694	5C12	27	60 - 9	H141236	8F2	16	110 - 75
H140160	9E18	12	121 - 65	H140695	5C12	28	60 - 9	H141246	5C12	13	60 - 9
H140160	10F7	1	170 - 4	H140696	5C12	29	60 - 9	H141289	7G3	12A	90 - 49
H140161	9G18	4	125 - 33	H140708	5C12	12	60 - 9	H141289	7G3	12B	90 - 49
H140161	9G20	4	125 - 35	H140709	4C14	..	50 - 9	H141292	7E6	15	90 - 3
H140162	9G18	2	125 - 33	H140709	5E9	..	60 - 57	H141313	8I24	12	120 - 79
H140162	9G20	2	125 - 35	H140709	10G11	2	170 - 33	H141314	8I24	9	120 - 79
H140180	4F7	11	50 - 79	H140709	10G11	4	170 - 33	H141325	3D19	12	40 - 39
H140180	4F11	8	50 - 83	H140710	4C14	..	50 - 9	H141325	3D19	21	40 - 39
H140180	4F15	9	50 - 87	H140710	5E9	..	60 - 57	H141325	3D23	17	40 - 43
H140180	4F21	9	50 - 93	H140711	4C14	..	50 - 9	H141327	5D6	9	60 - 27
H140195	8D22	32	110 - 45	H140711	10G11	4	170 - 33	H141327	7G19	8	90 - 65
H140218	8I22	17	120 - 77	H140712	5C12	20	60 - 9	H141327	7H4	9	90 - 75
H140225	7C14	21	80 - 17	H140713	5C12	30	60 - 9	H141343	10G8	3	170 - 29
H140225	7C18	21	80 - 21	H140715	1B25	11	20 - 3	H141350	4C10	18	50 - 5
H140227	4D8	13	50 - 29	H140715	5C12	19	60 - 9	H141386	4C10	27	50 - 5
H140247	8I2	3	120 - 57	H140746	5C12	8	60 - 9	H141386	7G19	25	90 - 65
H140248	3C10	9	40 - 5	H140747	5C12	9	60 - 9	H141387	4C10	28	50 - 5
H140248	3C20	3	40 - 15	H140749	5E9	..	60 - 57	H141388	9G2	33	125 - 17
H140248	3F11	3	40 - 80	H140749	10G11	2	170 - 33	H141388	9G8	15	125 - 23
H140298	6C9	7	70 - 5	H140749	10G11	4	170 - 33	H141393	7G19	2	90 - 65
H140298	6C9	10	70 - 5	H140750	4C14	..	50 - 9	H141406	3D21	1	40 - 41
H140298	6D2	13	70 - 23	H140751	10G11	4	170 - 33	H141406	3D21	2	40 - 41
H140298	6D6	20	70 - 27	H140768	10G11	4	170 - 33	H141406	3E12	11	40 - 57
H140299	5C6	8	60 - 3	H140803	8G15	12	120 - 21	H141409	3F8	2	40 - 77
H140300	7D10	16	80 - 37	H140803	8G15	13	120 - 21	H141410	10D16	5	130 - 39
H140308	5C6	4	60 - 3	H140803	8G19	3	120 - 25	H141411	3E2	1	40 - 47
H140315	5C20	9	60 - 17	H140804	8G15	8	120 - 21	H141412	2G4	26	32 - 3
H140322	5C6	2	60 - 3	H140804	8G15	12	120 - 21	H141416	8I6	1B	120 - 61
H140333	5C6	2	60 - 3	H140836	7F18	19	90 - 39	H141422	5C12	34	60 - 9
H140380	1C3	12	20 - 7	H140836	8D24	19	110 - 47	H141449	10D24	1A	130 - 47
H140382	5E6	10	60 - 54	H140846	1C5	16A	20 - 9	H141449	10D24	1B	130 - 47
H140382	5E7	10	60 - 55	H140848	1C5	16A	20 - 9	H141449	10D24	1C	130 - 47
H140383	5E7	10	60 - 55	H140848	1C5	16B	20 - 9	H141449	10E2	1A	130 - 49
H140396	7G17	17	90 - 63	H140866	7B24	21	80 - 3	H141450	10D24	13	130 - 47
H140397	9E10	3	121 - 57	H140866	7C2	21	80 - 5	H141450	10E2	17	130 - 49
H140397	9E12	3	121 - 59	H140872	7D2	5	80 - 29	H141450	10E4	17	130 - 51
H140397	9E14	3	121 - 61	H140881	7D2	1	80 - 29	H141481	6G17	14	70 - 115
H140404	9E8	21	121 - 55	H140916	2G18	9	32 - 17	H141482	6G17	10	70 - 115
H140404	10F7	4	170 - 4	H140944	9E6	19	121 - 53	H141500	8E23	7	110 - 71
H140414	3E8	20	40 - 53	H140944	9E22	6	121 - 69	H141500	8E25	4	110 - 73
H140414	8I22	13	120 - 77	H141033	10C15	11	130 - 13	H141510	6H4	8	70 - 127
H140467	9I14	25	125 - 77	H141044	10D2	10	130 - 25	H141510	6H6	31	70 - 129
H140467	9I16	14	125 - 79	H141044	10D4	10	130 - 27	H141547	9I6	28	125 - 69
H140497	2G4	24	32 - 3	H141055	9F6	8	121 - 77	H141548	9I6	30	125 - 69
H140550	8C13	18	110 - 11	H141055	9F8	12	121 - 79	H141549	8C9	35	110 - 7
H140551	8C13	19	110 - 11	H141059	9F6	6	121 - 77	H141549	9I6	33	125 - 69
H140552	8C13	15	110 - 11	H141059	9F8	18	121 - 79	H141555	4D14	11	50 - 35
H140573	1C12	12A	20 - 17	H141060	9F6	6	121 - 77	H141556	4D12	1	50 - 33
H140580	10G6	15	170 - 27	H141060	9F8	11	121 - 79	H141557	4D12	5	50 - 33
H140582	10G6	15	170 - 27	H141069	5C12	16	60 - 9	H141558	4D22	3	50 - 43
H140583	10G8	3	170 - 29	H141087	9G10	5	125 - 25	H141558	4D24	3	50 - 45
H140590	7F11	..	90 - 32	H141106	9G22	5	125 - 37	H141563	9E22	27	121 - 69
H140595	5C12	5	60 - 9	H141107	9G22	4	125 - 37	H141564	9E22	7	121 - 69
H140620	5C12	7	60 - 9	H141108	9G22	16	125 - 37	H141565	9E22	3	121 - 69
H140627	3C14	3	40 - 9	H141123	7C22	3	80 - 25	H141580	9F25	1	125 - 15
H140628	3C14	2	40 - 9	H141123	7D6	17	80 - 33	H141588	9D8	4	121 - 31
H140628	3E4	2	40 - 49	H141123	8F24	13	120 - 5	H141673	9E22	3	121 - 69
H140628	3E6	6	40 - 51	H141123	10D8	36	130 - 31	H141673	9E24	3	121 - 71
H140645	7B24	2	80 - 3	H141123	10E13	14	130 - 60	H141677	8C7	9A	110 - 5
H140645	7C2	2	80 - 5	H141127	3D21	1	40 - 41	H141704	4C21	7	50 - 16
H140664	3C8	16	40 - 3	H141127	3D21	2	40 - 41	H141705	6H2	1	70 - 125
H140664	3D19	9	40 - 39	H141138	9G4	58	125 - 19	H141706	6H2	10	70 - 125
H140677	8I24	11	120 - 79	H141138	9G6	11A	125 - 21	H141726	3H4	6	40 - 121

1K20

9500 AND SIDEHILL 9500 MAXIMIZER™ COMBINES

NUMERICAL INDEX - CONTINUED

PART NO.	GRID	KEY	PAGE	PART NO.	GRID	KEY	PAGE	PART NO.	GRID	KEY	PAGE
H141735	9D18	11	121 - 41	H143385	9D4	3	121 - 27	H143918	3C20	27	40 - 15
H141769	2G10	2	32 - 9	H143387	8G10	3B	120 - 15	H143918	3C20	39	40 - 15
H141769	2G12	2	32 - 11	H143389	8G10	2B	120 - 15	H143918	3H5	1	40 - 122
H141769	9C7	21B	121 - 5	H143407	8C11	12	110 - 9	H143918	3H5	2	40 - 122
H141770	7D8	8	80 - 35	H143407	8C11	20	110 - 9	H143948	9H2	4	125 - 41
H141771	7D8	..	80 - 35	H143407	8C11	25	110 - 9	H143949	9G24	10	125 - 39
H141772	7D8	1B	80 - 35	H143408	4D8	12	50 - 29	H143949	9H2	10	125 - 41
H141813	7D12	2	80 - 39	H143420	2G4	16	32 - 3	H143950	9G24	9	125 - 39
H141835	8C11	5	110 - 9	H143420	9E2	12B	121 - 49	H143950	9H2	9	125 - 41
H141836	7C16	15	80 - 19	H143421	9E2	22	121 - 49	H143951	9G24	11	125 - 39
H141839	6D10	9	70 - 31	H143426	9C11	7	121 - 9	H143951	9H2	14	125 - 41
H141869	5C18	11	60 - 15	H143430	9C7	2	121 - 5	H143952	9G24	13	125 - 39
H141877	4C14	..	50 - 9	H143439	7G19	19	90 - 65	H143952	9H2	12	125 - 41
H141881	8C7	24	110 - 5	H143439	7G19	21	90 - 65	H143955	9G20	12	125 - 35
H141881	10G9	27	170 - 30	H143439	7G21	8	90 - 67	H144013	3D25	9	40 - 45
H141883	8I22	22	120 - 77	H143445	4C12	5	50 - 7	H144020	1C5	14	20 - 9
H141946	5D6	53	60 - 27	H143453	7D14	13	80 - 41	H144020	1C5	15A	20 - 9
H141946	7H4	53	90 - 75	H143453	7D16	17	80 - 43	H144020	1C5	15B	20 - 9
H141946	7H6	53	90 - 77	H143454	7D14	14	80 - 41	H144021	1C5	2	20 - 9
H141955	3C14	6	40 - 9	H143454	7D16	18	80 - 43	H144021	1C5	14	20 - 9
H141975	7D10	13	80 - 37	H143456	8E9	10	110 - 57	H144021	1C5	15A	20 - 9
H141975	7D24	4	80 - 51	H143456	8E11	10	110 - 59	H144022	4C21	1	50 - 16
H141975	8H14	17	120 - 45	H143460	7E20	8	90 - 17	H144023	4C21	1	50 - 16
H141978	7D24	19	80 - 51	H143462	3D25	10	40 - 45	H144029	7D20	7	80 - 47
H141979	7D24	8B	80 - 51	H143465	7C8	13	80 - 11	H144032	3G12	18	40 - 105
H141993	8G23	12	120 - 29	H143489	8E23	17	110 - 71	H144033	4D14	1	50 - 35
H142030	4D6	8	50 - 27	H143489	8E25	18	110 - 73	H144037	8G12	24A	120 - 17
H142031	4D6	37	50 - 27	H143529	7C12	23	80 - 15	H144038	9D18	5	121 - 41
H142035	7C22	18	80 - 25	H143562	1C1	5	20 - 4	H144052	8E9	10	110 - 57
H142044	4C10	18	50 - 5	H143562	1C1	11	20 - 4	H144052	8E11	10	110 - 59
H142044	4C12	18	50 - 7	H143562	1C1	22	20 - 4	H144063	8C11	9	110 - 9
H142055	9E2	11	121 - 49	H143562	1C3	17	20 - 7	H144071	4D14	6	50 - 35
H142104	2G18	9	32 - 17	H143593	3C20	33	40 - 15	H144072	4D14	7	50 - 35
H142107	5D23	6	60 - 44	H143610	8G15	16	120 - 21	H144094	3F6	5	40 - 75
H142107	5D24	5	60 - 45	H143610	8G25	4	120 - 31	H144095	3F6	6	40 - 75
H142107	5D25	5	60 - 46	H143615	8I22	15	120 - 77	H144111	4C24	1	50 - 19
H142141	9G2	21	125 - 17	H143632	3C10	11	40 - 5	H144115	3F4	2	40 - 73
H142141	9G2	37B	125 - 17	H143690	6G17	5	70 - 115	H144122	9C23	9	121 - 21
H142141	9G6	13	125 - 21	H143696	6G22	1	70 - 121	H144122	9C25	9	121 - 23
H142143	9D22	21	121 - 45	H143714	9H4	12	125 - 43	H144139	3F4	2	40 - 73
H142143	9E4	23	121 - 51	H143731	8H6	20	120 - 37	H144157	9H6	4	125 - 45
H142182	10G8	3	170 - 29	H143735	9I14	9	125 - 77	H144158	9H6	5	125 - 45
H142183	6E10	22	70 - 57	H143743	9G22	11	125 - 37	H144161	9H6	2	125 - 45
H142188	8H10	6	120 - 41	H143744	9G22	15	125 - 37	H144163	9H6	7	125 - 45
H142189	8H10	5	120 - 41	H143757	1C8	13	20 - 12	H144168	4C18	2	50 - 13
H142861	8C15	9	110 - 13	H143757	1C9	10	20 - 13	H144168	4C21	2	50 - 16
H142869	8C17	15	110 - 15	H143757	7H12	24	90 - 83	H144184	4C8	11B	50 - 3
H142870	8C17	24	110 - 15	H143759	1C6	2	20 - 10	H144199	3G24	10	40 - 117
H143317	3G20	1	40 - 113	H143761	1C8	8	20 - 12	H144201	8E19	21	110 - 67
H143332	9F15	3	125 - 5	H143762	9G22	19	125 - 37	H144201	8E21	21	110 - 69
H143332	9F17	7	125 - 7	H143762	9G24	3	125 - 39	H144242	3F22	3	40 - 91
H143332	9F19	3	125 - 9	H143834	8G12	28B	120 - 17	H144244	7G17	10	90 - 63
H143332	9F21	3	125 - 11	H143835	4D14	3	50 - 35	H144255	3D17	16	40 - 37
H143332	9F23	3	125 - 13	H143836	4D18	14	50 - 39	H144256	3F13	12	40 - 82
H143351	8E11	15	110 - 59	H143855	8F24	8	120 - 5	H144260	1F14	8	25 - 58
H143353	8E9	20	110 - 57	H143869	1B23	3	20 - 1	H144260	2E2	8	30 - 45
H143353	8E11	23	110 - 59	H143869	10F6	2	170 - 3	H144260	2G18	9	32 - 17
H143353	8E15	14	110 - 63	H143891	4C8	12	50 - 3	H144269	5C14	20	60 - 11
H143354	8E9	20	110 - 57	H143893	4D16	9	50 - 37	H144270	5C14	14	60 - 11
H143354	8E11	12	110 - 59	H143894	4D16	9	50 - 37	H144274	7G3	13	90 - 49
H143354	8E15	6	110 - 63	H143904	1C8	8	20 - 12	H144277	1C1	14	20 - 4
H143358	8C21	8	110 - 19	H143918	3C20	10	40 - 15	H144288	9F13	27	125 - 3
H143358	8D4	1	110 - 27	H143918	3C20	15	40 - 15	H144288	9G4	48	125 - 19
H143358	8D6	9	110 - 29	H143918	3C20	17	40 - 15	H144288	9G6	17	125 - 21
H143376	8D4	1	110 - 27	H143918	3C20	20	40 - 15	H144291	3E14	28B	40 - 59
H143376	8D6	1	110 - 29	H143918	3C20	22	40 - 15	H144291	3E14	35	40 - 59
H143385	9C17	3	121 - 15	H143918	3C20	24	40 - 15	H144293	4E25	..	50 - 71

NUMERICAL INDEX - CONTINUED

PART NO.	GRID	KEY	PAGE	PART NO.	GRID	KEY	PAGE	PART NO.	GRID	KEY	PAGE
H144293	5E3	3	60 - 50	H145052	6F2	27	70 - 75	H145530	9D4	3	121 - 27
H144293	5E4	3	60 - 51	H145061	8F2	3	110 - 75	H145547	10G8	16	170 - 29
H144299	9G4	49	125 - 19	H145062	8F2	3	110 - 75	H145553	4C17	1	50 - 12
H144313	8E17	7	110 - 65	H145076	1C6	2	20 - 10	H145553	4D22	10	50 - 43
H144342	6F19	12	70 - 92	H145082	7G17	4	90 - 63	H145554	4C17	1	50 - 12
H144385	4D8	20	50 - 29	H145095	9G24	5	125 - 39	H145554	4D22	10	50 - 43
H144386	4D8	1	50 - 29	H145095	9H2	7	125 - 41	H145627	4C14	..	50 - 9
H144467	8H16	16	120 - 47	H145096	9G24	4	125 - 39	H145627	10G11	4	170 - 33
H144472	7E20	9	90 - 17	H145096	9H2	6	125 - 41	H145639	8G17	20	120 - 23
H144546	7H8	4	90 - 79	H145112	8H12	6	120 - 43	H145639	8G19	12	120 - 25
H144546	7H10	9	90 - 81	H145112	9G16	14	125 - 31	H145639	8G23	2	120 - 29
H144556	8H22	1	120 - 53	H145145	8E25	12	110 - 73	H145700	7C4	2	80 - 7
H144557	8H22	11	120 - 53	H145158	1B23	3	20 - 1	H145706	9E2	22	121 - 49
H144558	8H18	19	120 - 49	H145158	1B25	5	20 - 3	H145773	8G12	25B	120 - 17
H144562	3C20	10	40 - 15	H145158	10F6	2	170 - 3	H145773	10D8	34	130 - 31
H144562	3C20	15	40 - 15	H145173	4D8	1	50 - 29	H145778	9G4	57	125 - 19
H144562	3C20	17	40 - 15	H145196	10G6	4	170 - 27	H145778	9G6	22	125 - 21
H144562	3C20	20	40 - 15	H145197	10G8	1	170 - 29	H145832	2G20	7	32 - 19
H144562	3C20	22	40 - 15	H145221	3D15	2	40 - 35	H145847	5C12	1	60 - 9
H144562	3C20	24	40 - 15	H145243	9D18	11	121 - 41	H145854	9G4	49	125 - 19
H144562	3C20	27	40 - 15	H145247	4G12	9	50 - 109	H145857	9G4	56	125 - 19
H144562	3C20	39	40 - 15	H145247	4G18	8	50 - 115	H145857	9G6	18	125 - 21
H144692	1C3	20	20 - 7	H145247	4G22	2	50 - 119	H145857	10G8	7	170 - 29
H144692	10G6	5	170 - 27	H145257	8G23	5	120 - 29	H145858	9G4	56	125 - 19
H144715	7B24	24	80 - 3	H145264	3D17	15	40 - 37	H145858	9G6	18	125 - 21
H144716	7B24	24	80 - 3	H145275	9F17	1	125 - 7	H145858	10G8	7	170 - 29
H144717	7B24	25	80 - 3	H145275	9F25	1	125 - 15	H145880	8J8	1A	120 - 87
H144742	8G15	14	120 - 21	H145284	3C20	1	40 - 15	H145880	8J8	1B	120 - 87
H144742	8G19	6	120 - 25	H145315	2G10	2	32 - 9	H145880	8J8	3A	120 - 87
H144742	8H2	14	120 - 33	H145315	2G12	2	32 - 11	H145888	8C23	8	110 - 21
H144759	9C11	7	121 - 9	H145315	9C7	21A	121 - 5	H145893	7E14	11	90 - 11
H144761	9C9	9	121 - 7	H145315	9C7	21B	121 - 5	H145894	8C13	14	110 - 11
H144801	3F10	5A	40 - 79	H145315	9C7	21C	121 - 5	H145899	8H22	12	120 - 53
H144801	3F10	5B	40 - 79	H145316	10C23	5	130 - 21	H145900	8H22	18	120 - 53
H144801	8F22	8	120 - 3	H145317	10C23	9	130 - 21	H145949	8H20	6	120 - 51
H144823	8J8	3A	120 - 87	H145319	9G4	53	125 - 19	H145949	8H22	7	120 - 53
H144823	8J8	3B	120 - 87	H145319	9G8	7	125 - 23	H145950	8H20	5	120 - 51
H144823	10D10	8	130 - 33	H145335	4D8	1	50 - 29	H145950	8H22	5	120 - 53
H144823	10D10	9	130 - 33	H145349	8F10	16	110 - 83	H145954	4C18	7	50 - 13
H144825	8C15	4	110 - 13	H145350	8D10	15	110 - 33	H145955	9D18	1	121 - 41
H144825	8J8	1C	120 - 87	H145351	8D10	16	110 - 33	H145970	8G12	2	120 - 17
H144825	10D10	8	130 - 33	H145399	4C22	1	50 - 17	H145970	9D6	16	121 - 29
H144826	8D4	4	110 - 27	H145417	3C12	14	40 - 7	H145975	8H22	12	120 - 53
H144834	9C7	7	121 - 5	H145417	7F14	14	90 - 35	H145976	8H22	18	120 - 53
H144885	8D10	9	110 - 33	H145418	3C10	19	40 - 5	H145982	7E16	17B	90 - 13
H144896	9H10	3	125 - 49	H145419	3C10	20	40 - 5	H145983	7E16	17B	90 - 13
H144962	9D10	42	121 - 33	H145420	3C10	21	40 - 5	H145986	7H16	10	90 - 87
H144970	5D6	36	60 - 27	H145462	8C21	3	110 - 19	H145987	7H16	9	90 - 87
H144970	5D6	41B	60 - 27	H145462	8D4	4	110 - 27	H145995	5E9	..	60 - 57
H144970	7H4	36	90 - 75	H145462	8D6	4	110 - 29	H145995	5E10	..	60 - 58
H144970	7H4	41B	90 - 75	H145464	8D4	3	110 - 27	H145995	10G11	1	170 - 33
H144971	10C9	8	130 - 7	H145464	8D6	15	110 - 29	H145996	10G11	1	170 - 33
H145001	9C21	4	121 - 19	H145464	8E9	20	110 - 57	H146011	9G24	1	125 - 39
H145003	1C18	10	20 - 23	H145511	3C20	10	40 - 15	H146011	9H2	1	125 - 41
H145046	9C23	9	121 - 21	H145511	3C20	15	40 - 15	H146042	5D4	41A	60 - 25
H145046	9C25	9	121 - 23	H145511	3C20	17	40 - 15	H146042	5D4	41B	60 - 25
H145051	6E12	22	70 - 59	H145511	3C20	20	40 - 15	H146042	7H2	41	90 - 73
H145051	6E12	25	70 - 59	H145511	3C20	22	40 - 15	H146057	7C4	3	80 - 7
H145051	6E23	11	70 - 71	H145511	3C20	24	40 - 15	H146064	1B25	14	20 - 3
H145051	6E23	28	70 - 71	H145511	3C20	27	40 - 15	H146088	4G22	1	50 - 119
H145051	6F2	11	70 - 75	H145511	3C20	39	40 - 15	H146089	4G22	1	50 - 119
H145051	6F2	28	70 - 75	H145511	3H5	1	40 - 122	H146237	8F2	18	110 - 75
H145052	6E12	22	70 - 59	H145511	3H5	2	40 - 122	H146260	7C8	4	80 - 11
H145052	6E12	24	70 - 59	H145516	8J9	3	120 - 88	H146281	4D18	11	50 - 39
H145052	6E23	11	70 - 71	H145516	10D10	8	130 - 33	H146281	5D22	7A	60 - 43
H145052	6E23	27	70 - 71	H145516	10D10	9	130 - 33	H146306	3D19	25	40 - 39
H145052	6F2	11	70 - 75	H145530	9C17	3	121 - 15	H146306	10F2	11	160 - 5

NUMERICAL INDEX - CONTINUED

PART NO.	GRID	KEY	PAGE	PART NO.	GRID	KEY	PAGE	PART NO.	GRID	KEY	PAGE
H146308	9G4	49	125 - 19	H147111	2G20	12	32 - 19	H148063	8G4	3	120 - 9
H146308	9G6	15	125 - 21	H147115	1C8	8	20 - 12	H148066	8G4	16	120 - 9
H146310	10E16	41	130 - 63	H147115	1C9	8	20 - 13	H148066	8G6	16	120 - 11
H146315	7G17	15A	90 - 63	H147137	7D12	..	80 - 39	H148107	9G24	12	125 - 39
H146315	7G17	15B	90 - 63	H147192	5D6	10	60 - 27	H148107	9H2	8	125 - 41
H146318	8G17	6	120 - 23	H147192	7H4	10	90 - 75	H148116	10D10	11	130 - 33
H146318	8G17	28	120 - 23	H147198	7D4	3	80 - 31	H148131	9D4	27	121 - 27
H146318	8G23	15	120 - 29	H147199	7D4	6	80 - 31	H148132	8D20	24	110 - 43
H146318	8G25	5	120 - 31	H147235	8D8	6	110 - 31	H148132	8F8	8	110 - 81
H146327	5C12	13	60 - 9	H147249	3C16	1	40 - 11	H148132	9C17	15	121 - 15
H146389	8G17	6	120 - 23	H147299	10D8	15	130 - 31	H148133	8D20	25	110 - 43
H146389	8G25	5	120 - 31	H147302	9F17	3	125 - 7	H148133	8F8	9	110 - 81
H146391	5D4	22A	60 - 25	H147302	9F19	2	125 - 9	H148133	9C17	16	121 - 15
H146391	5D4	22B	60 - 25	H147302	9F21	2	125 - 11	H148134	8D20	29	110 - 43
H146391	7H2	22	90 - 73	H147302	9F23	2	125 - 13	H148134	8F8	13	110 - 81
H146392	5D4	21A	60 - 25	H147304	9F17	2	125 - 7	H148134	9C17	19	121 - 15
H146392	5D4	21B	60 - 25	H147304	9F19	1	125 - 9	H148166	2G4	26	32 - 3
H146392	7H2	21	90 - 73	H147304	9F21	1	125 - 11	H148166	2G4	27	32 - 3
H146394	9D18	17	121 - 41	H147304	9F23	1	125 - 13	H148187	8C21	3	110 - 19
H146414	9F17	6	125 - 7	H147324	8C7	23	110 - 5	H148187	8C21	4	110 - 19
H146414	9F19	6	125 - 9	H147324	10G9	25	170 - 30	H148187	8D4	1	110 - 27
H146429	7H8	29	90 - 79	H147415	2G4	24	32 - 3	H148187	8D6	4	110 - 29
H146457	8C21	9	110 - 19	H147457	8I14	15A	120 - 69	H148187	8D6	5	110 - 29
H146457	8D6	10	110 - 29	H147457	8I14	15B	120 - 69	H148202	9H7	1A	125 - 46
H146457	8G12	28B	120 - 17	H147467	8F12	9	110 - 85	H148202	9H8	1	125 - 47
H146457	9E20	19	121 - 67	H147468	8G17	24	120 - 23	H148241	9D16	8	121 - 39
H146535	6E24	5A	70 - 72	H147482	8E11	19	110 - 59	H148270	3E16	1	40 - 61
H146535	6E24	5B	70 - 72	H147483	9C17	1	121 - 15	H148271	3E16	6	40 - 61
H146536	9I6	6	125 - 69	H147483	9D4	1	121 - 27	H148286	4D16	9	50 - 37
H146537	9I6	30	125 - 69	H147484	8G15	23	120 - 21	H148287	4D16	9	50 - 37
H146553	6G17	21	70 - 115	H147485	8F14	8	110 - 87	H148301	8G13	2	120 - 18
H146577	1B25	8	20 - 3	H147486	6D14	8	70 - 35	H148302	8G13	4	120 - 18
H146585	8D22	18	110 - 45	H147490	4G21	8	50 - 118	H148304	8G13	6	120 - 18
H146586	1B25	34	20 - 3	H147587	3G24	6	40 - 117	H148305	8G13	3	120 - 18
H146636	1B25	45	20 - 3	H147593	8E9	20	110 - 57	H148340	3F10	1	40 - 79
H146636	10F6	3	170 - 3	H147593	8E11	15	110 - 59	H148340	3F10	6	40 - 79
H146639	8I22	22	120 - 77	H147593	8E15	7	110 - 63	H148340	6F10	3	70 - 83
H146640	4C25	4	50 - 20	H147660	9I4	11	125 - 67	H148340	6F10	15	70 - 83
H146646	4D10	22	50 - 31	H147747	8J2	3	120 - 81	H148340	10E16	46	130 - 63
H146646	4D12	23	50 - 33	H147748	8J2	6	120 - 81	H148342	6F14	10	70 - 87
H146672	8I6	1B	120 - 61	H147752	10D18	30	130 - 41	H148361	8H22	12	120 - 53
H146672	8I6	1C	120 - 61	H147789	8H6	3	120 - 37	H148362	8H22	18	120 - 53
H146680	1B25	46	20 - 3	H147845	8F20	1	120 - 1	H148366	6D22	14	70 - 43
H146680	7C10	17	80 - 13	H147846	9I6	22	125 - 69	H148375	6F12	16	70 - 85
H146730	3F10	5B	40 - 79	H147865	2G16	1	32 - 15	H148375	6F14	2	70 - 87
H146730	3F10	5C	40 - 79	H147865	2G16	3	32 - 15	H148376	6F12	16	70 - 85
H146730	8F22	8	120 - 3	H147865	2G16	7	32 - 15	H148376	6F14	1	70 - 87
H146730	8F24	14	120 - 5	H147911	9C17	3	121 - 15	H148376	10D18	21B	130 - 41
H146749	1C6	2	20 - 10	H147911	9D4	3	121 - 27	H148416	1C3	24	20 - 7
H146750	1C5	3	20 - 9	H147967	9I14	29	125 - 77	H148518	10D10	13	130 - 33
H146754	8H16	8	120 - 47	H148000	7B24	22	80 - 3	H148633	9I16	7	125 - 79
H146756	7D8	10	80 - 35	H148018	8F22	2	120 - 3	H148646	4F23	14	50 - 95
H146757	7D24	19	80 - 51	H148018	8F22	5	120 - 3	H148650	4F23	18	50 - 95
H146757	8H14	18	120 - 45	H148019	8F22	2	120 - 3	H148702	3E20	18	40 - 65
H146765	7C10	5	80 - 13	H148019	8F22	4	120 - 3	H148702	10D22	4A	130 - 45
H146766	8C5	20	110 - 3	H148021	8F22	2	120 - 3	H148702	10D22	4B	130 - 45
H146766	8C9	20	110 - 7	H148021	8F22	3	120 - 3	H148768	9C11	6	121 - 9
H146767	1C5	20	20 - 9	H148023	8F22	21	120 - 3	H148769	9C11	21	121 - 9
H146775	10D16	5	130 - 39	H148025	9H6	6	125 - 45	H148769	9C13	17	121 - 11
H146887	7I2	26	90 - 99	H148056	10D10	12	130 - 33	H148770	9C13	4	121 - 11
H146950	3G12	9	40 - 105	H148057	8G4	19	120 - 9	H148775	6E10	23	70 - 57
H146951	8D22	34	110 - 45	H148058	8G4	15	120 - 9	H148776	2G16	23	32 - 15
H147004	5C22	1	60 - 19	H148058	8G6	15	120 - 11	H148818	8E2	5	110 - 49
H147068	2G22	8	32 - 21	H148058	8G8	21	120 - 13	H148818	8E7	3	110 - 54
H147069	2G22	1	32 - 21	H148061	8G2	3	120 - 7	H148925	8F22	12	120 - 3
H147074	7B24	2	80 - 3	H148061	8G4	5	120 - 9	H148925	8F24	10	120 - 5
H147074	7C2	2	80 - 5	H148063	8G2	1	120 - 7	H148998	8C15	5	110 - 13

NUMERICAL INDEX - CONTINUED

PART NO.	GRID	KEY	PAGE	PART NO.	GRID	KEY	PAGE	PART NO.	GRID	KEY	PAGE
H149026	9G6	9	125 - 21	H149092	10G8	13	170 - 29	H150034	8I14	15B	120 - 69
H149027	9G6	9	125 - 21	H149096	7D6	7	80 - 33	H150047	7E14	10	90 - 11
H149037	10F12	4	170 - 9	H149096	9F8	17	121 - 79	H150054	6D14	1	70 - 35
H149037	10G6	10	170 - 27	H149096	10F12	5	170 - 9	H150054	8C5	9	110 - 3
H149040	10F22	4	170 - 19	H149096	10F16	2	170 - 13	H150054	8C7	11	110 - 5
H149040	10G6	10	170 - 27	H149096	10G6	2	170 - 27	H150054	8C9	9	110 - 7
H149046	10F22	2	170 - 19	H149096	10G8	8	170 - 29	H150055	8C7	9B	110 - 5
H149046	10G14	5	170 - 36	H149096	10G13	7	170 - 35	H150062	6F2	29	70 - 75
H149062	10D4	9	130 - 27	H149097	10F22	5	170 - 19	H150091	8H16	8	120 - 47
H149062	10F12	3	170 - 9	H149097	10G2	2	170 - 23	H150092	8H16	19	120 - 47
H149062	10F14	1	170 - 11	H149097	10G6	2	170 - 27	H150099	3D6	5	40 - 25
H149062	10G13	4	170 - 35	H149097	10G8	8	170 - 29	H150100	7H8	1	90 - 79
H149062	10G14	4	170 - 36	H149097	10G13	7	170 - 35	H150117	10C5	15	130 - 3
H149063	8C5	24	110 - 3	H149098	10G4	2	170 - 25	H150119	3D8	7	40 - 27
H149063	8C7	22	110 - 5	H149098	10G8	13	170 - 29	H150119	7F11	..	90 - 32
H149063	8C9	33	110 - 7	H149099	9I6	..	125 - 69	H150128	8G4	1	120 - 9
H149063	8D12	16	110 - 35	H149099	10F10	4	170 - 7	H150128	8G6	1	120 - 11
H149063	8D14	36	110 - 37	H149099	10F18	3	170 - 15	H150130	8G6	3	120 - 11
H149063	10F10	2	170 - 7	H149099	10G6	14	170 - 27	H150131	8G6	19	120 - 11
H149063	10F16	4	170 - 13	H149099	10G8	15	170 - 29	H150133	8G2	3	120 - 7
H149063	10G6	11	170 - 27	H149100	10F20	3	170 - 17	H150133	8G4	5	120 - 9
H149063	10G9	26	170 - 30	H149100	10G4	3	170 - 25	H150133	8G6	5	120 - 11
H149064	10F10	5	170 - 7	H149100	10G6	14	170 - 27	H150134	8G6	2	120 - 11
H149064	10F18	5	170 - 15	H149100	10G8	15	170 - 29	H150134	8G8	16	120 - 13
H149064	10G6	3	170 - 27	H149102	9F13	27	125 - 3	H150222	4F9	13	50 - 81
H149064	10G9	20	170 - 30	H149102	9G4	48	125 - 19	H150222	4F17	12	50 - 89
H149065	10F14	3	170 - 11	H149102	9G6	17	125 - 21	H150222	4F19	14	50 - 91
H149065	10G13	2	170 - 35	H149102	10F10	1	170 - 7	H150222	4F23	14	50 - 95
H149066	10F16	3	170 - 13	H149103	10F20	1	170 - 17	H150222	4F25	12	50 - 97
H149066	10G8	2	170 - 29	H149120	3F14	7	40 - 83	H150222	4G2	13	50 - 99
H149067	10F18	1	170 - 15	H149121	3F14	3	40 - 83	H150223	4F9	10	50 - 81
H149067	10G8	14	170 - 29	H149174	8D22	34	110 - 45	H150223	4F13	8	50 - 85
H149068	4D3	3	50 - 23	H149454	2G6	14	32 - 5	H150223	4F17	10	50 - 89
H149068	7F16	3	90 - 37	H149459	8C15	7	110 - 13	H150223	4F19	18	50 - 91
H149068	10F16	1A	170 - 13	H149460	8C15	8	110 - 13	H150223	4F25	10	50 - 97
H149068	10G9	21	170 - 30	H149461	8C15	2	110 - 13	H150223	4G2	10	50 - 99
H149074	10F20	4	170 - 17	H149461	8C15	3	110 - 13	H150268	8I6	18	120 - 61
H149074	10G4	5	170 - 25	H149480	7E18	20	90 - 15	H150269	9I14	21	125 - 77
H149074	10G13	2	170 - 35	H149480	10G13	3	170 - 35	H150270	8H6	11	120 - 37
H149075	10F24	3	170 - 21	H149504	8D22	14	110 - 45	H150317	7C14	9	80 - 17
H149075	10G6	3	170 - 27	H149517	8C17	7	110 - 15	H150317	7C18	9	80 - 21
H149075	10G9	20	170 - 30	H149518	8C17	6	110 - 15	H150335	8C9	30	110 - 7
H149076	10F22	3	170 - 19	H149523	8C17	19	110 - 15	H150383	5D4	15B	60 - 25
H149076	10F24	1	170 - 21	H149593	8D22	34	110 - 45	H150383	7H2	15	90 - 73
H149076	10G13	4	170 - 35	H149780	10D24	1B	130 - 47	H150385	7H8	31	90 - 79
H149076	10G14	4	170 - 36	H149780	10D24	1C	130 - 47	H150401	9F13	8	125 - 3
H149077	10F20	2	170 - 17	H149780	10E2	1A	130 - 49	H150401	9F13	9	125 - 3
H149077	10G2	4	170 - 23	H149780	10E2	1B	130 - 49	H150402	9F13	15	125 - 3
H149077	10G6	11	170 - 27	H149780	10E4	1	130 - 51	H150402	9F13	16	125 - 3
H149078	10G2	3	170 - 23	H149788	3E6	9	40 - 51	H150403	9F13	10	125 - 3
H149078	10G8	2	170 - 29	H149793	10E14	5	130 - 61	H150404	9F13	14	125 - 3
H149079	10G4	1	170 - 25	H149803	6F2	6	70 - 75	H150408	9F13	29	125 - 3
H149079	10G8	14	170 - 29	H149804	6E21	23	70 - 69	H150411	6F19	3	70 - 92
H149080	10G2	1	170 - 23	H149804	6F2	31	70 - 75	H150412	6F19	6	70 - 92
H149080	10G9	21	170 - 30	H149869	10E14	4	130 - 61	H150433	1C18	10	20 - 23
H149088	10F12	1	170 - 9	H149883	8E11	19	110 - 59	H150434	8C9	34	110 - 7
H149088	10G14	2	170 - 36	H149992	9G2	21	125 - 17	H150454	6D14	10	70 - 35
H149089	10F22	1	170 - 19	H149992	9G4	58	125 - 19	H150454	8C5	30	110 - 3
H149089	10G14	2	170 - 36	H149992	9G6	11A	125 - 21	H150454	8C7	26	110 - 5
H149090	10F14	2	170 - 11	H149992	9G6	11B	125 - 21	H150455	7F20	10	90 - 41
H149090	10G13	1	170 - 35	H149997	8H24	14	120 - 55	H150458	8C21	11	110 - 19
H149091	10F24	2	170 - 21	H149997	8I8	12	120 - 63	H150458	8D6	13	110 - 29
H149091	10G13	1	170 - 35	H149997	8I12	14	120 - 67	H150514	8G8	10	120 - 13
H149092	6D18	13	70 - 39	H149997	8I16	12	120 - 71	H150528	8E19	36	110 - 67
H149092	6D20	15	70 - 41	H149997	9I6	26	125 - 69	H150528	8E21	35	110 - 69
H149092	6D22	6	70 - 43	H150021	1C12	3A	20 - 17	H150646	5E9	..	60 - 57
H149092	10F18	2	170 - 15	H150021	1C12	3B	20 - 17	H150646	10G11	1	170 - 33

1K24

9500 AND SIDEHILL 9500 MAXIMIZER™ COMBINES

NUMERICAL INDEX - CONTINUED

PART NO.	GRID	KEY	PAGE	PART NO.	GRID	KEY	PAGE	PART NO.	GRID	KEY	PAGE
H150662	8D22	18	110 - 45	H151908	3C20	15	40 - 15	H155112	7C16	16	80 - 19
H150681	3C10	8	40 - 5	H151908	3C20	17	40 - 15	H155295	9F6	8	121 - 77
H150682	8G8	22	120 - 13	H151908	3C20	20	40 - 15	H155295	9F8	12	121 - 79
H150716	8J2	6	120 - 81	H151908	3C20	22	40 - 15	H155459	8D20	5	110 - 43
H150717	8J2	3	120 - 81	H151908	3C20	24	40 - 15	H155510	3C10	25	40 - 5
H150746	7D24	13	80 - 51	H151908	3C20	27	40 - 15	H155510	10F14	4	170 - 11
H150746	8G8	5	120 - 13	H151908	3C20	39	40 - 15	H155968	10C5	33B	130 - 3
H150749	7D6	8	80 - 33	H151908	3H5	1	40 - 122	H155973	8J6	7B	120 - 85
H150763	10G8	10	170 - 29	H151908	3H5	2	40 - 122	H155973	9D24	29	121 - 47
H150837	8G12	24B	120 - 17	H152047	7D16	15	80 - 43	H156098	9F21	5	125 - 11
H150909	8H14	4	120 - 45	H152048	7D14	11	80 - 41	H156098	9F23	5	125 - 13
H150910	8H14	7	120 - 45	H152062	8C13	4	110 - 11	H156100	9F21	7	125 - 11
H150911	8H14	3	120 - 45	H152062	8E11	4	110 - 59	H156100	9F23	7	125 - 13
H150920	6F16	10	70 - 89	H152086	9I6	28	125 - 69	H156101	9F21	6	125 - 11
H150922	3F14	7	40 - 83	H152135	7D24	17	80 - 51	H156101	9F23	6	125 - 13
H150922	3F16	7	40 - 85	H152146	9E8	21	121 - 55	H156127	4C17	6	50 - 12
H150923	3F14	3	40 - 83	H152165	5C14	20	60 - 11	H156127	4C20	3	50 - 15
H150923	3F14	7	40 - 83	H152166	5C14	14	60 - 11	H156360	8G13	7	120 - 18
H150923	3F16	3	40 - 85	H152172	5D6	10	60 - 27	H156379	8C9	30	110 - 7
H150923	3F18	3	40 - 87	H152174	5D6	12	60 - 27	H156390	5D4	42	60 - 25
H150926	6F16	1	70 - 89	H152174	7H4	12	90 - 75	H156390	7H2	42	90 - 73
H150929	3C20	1	40 - 15	H152180	9E8	21	121 - 55	H156390	10F16	1B	170 - 13
H150951	7F4	10	90 - 25	H152317	1C5	10	20 - 9	H156513	5C14	3	60 - 11
H150980	4G12	6	50 - 109	H152464	8J4	3	120 - 83	H156514	5C14	1	60 - 11
H150980	6G2	8	70 - 99	H152464	8J4	5	120 - 83	H156717	8H24	2	120 - 55
H150982	4G12	3	50 - 109	H152464	8J4	13	120 - 83	H156717	8I2	2	120 - 57
H150983	6G2	5	70 - 99	H152465	8J4	3	120 - 83	H156718	8H24	2	120 - 55
H151048	8G8	18	120 - 13	H152465	8J4	5	120 - 83	H156718	8I2	2	120 - 57
H151062	7G24	2	90 - 70	H152465	8J4	13	120 - 83	H157014	4D22	3	50 - 43
H151067	8F22	10	120 - 3	H152602	8J2	11	120 - 81	H157036	8D18	7	110 - 41
H151067	8F24	6	120 - 5	H152616	8I2	8	120 - 57	H157109	9F13	29	125 - 3
H151068	8F22	20	120 - 3	H152617	8I2	7	120 - 57	H157247	9F4	41	121 - 75
H151068	8F24	15	120 - 5	H152916	10C5	10B	130 - 3	H157282	8H18	17	120 - 49
H151087	4E7	18	50 - 52	H153297	1C5	4	20 - 9	H157290	9G6	18	125 - 21
H151087	4E8	18	50 - 53	H153297	1C6	..	20 - 10	H157291	9G6	18	125 - 21
H151141	10G6	15	170 - 27	H153297	10F6	1	170 - 3	H157566	7H8	5	90 - 79
H151143	10G6	15	170 - 27	H153438	7H8	6	90 - 79	H157594	6C15	8	70 - 11
H151161	4C8	17B	50 - 3	H153520	8H14	8	120 - 45	H157597	6G15	41	70 - 113
H151165	7G17	10	90 - 63	H153524	9E4	9	121 - 51	H157687	9F2	9	121 - 73
H151166	7G24	1	90 - 70	H153524	9E8	10	121 - 55	H157687	9F4	9	121 - 75
H151181	9F13	6	125 - 3	H153648	8I4	1	120 - 59	H157688	9F2	37	121 - 73
H151182	9F13	1	125 - 3	H153649	8I4	3	120 - 59	H157688	9F4	36	121 - 75
H151318	8G13	..	120 - 18	H153721	7I2	21	90 - 99	H157726	9E24	10	121 - 71
H151376	3C10	22	40 - 5	H153722	7I2	22	90 - 99	H157726	9F2	19	121 - 73
H151397	10C16	11	130 - 14	H153728	5E9	..	60 - 57	H157726	9F4	19	121 - 75
H151477	8G8	19	120 - 13	H153760	8I4	5	120 - 59	H157740	8I10	4	120 - 65
H151484	8G15	23	120 - 21	H153880	7F20	5	90 - 41	H157743	8I10	5	120 - 65
H151527	8G8	24	120 - 13	H154195	7C10	5	80 - 13	H157871	6C19	14	70 - 15
H151566	8E11	23	110 - 59	H154216	8J4	4	120 - 83	H157967	8G19	2	120 - 25
H151566	8E15	14	110 - 63	H154216	8J4	13	120 - 83	H158047	7F11	..	90 - 32
H151575	5E9	..	60 - 57	H154331	8E19	22	110 - 67	H158052	7F11	..	90 - 32
H151575	10G11	1	170 - 33	H154720	4D19	15	50 - 40	H158292	3F13	6	40 - 82
H151579	3G18	1	40 - 111	H154720	4D20	15	50 - 41	H158364	9F23	10	125 - 13
H151585	4G10	16	50 - 107	H154722	4D16	10	50 - 37	H158404	9F23	12	125 - 13
H151585	4G12	16	50 - 109	H154757	7D10	13	80 - 37	H158405	9F23	11	125 - 13
H151585	6G2	1	70 - 99	H154757	7D24	4	80 - 51	H158525	7H8	21	90 - 79
H151597	8J2	4	120 - 81	H154757	8H14	17	120 - 45	H158579	3C12	3	40 - 7
H151607	8C17	5	110 - 15	H154762	8H14	4	120 - 45	H158579	7F14	3	90 - 35
H151618	10G6	15	170 - 27	H154763	8H14	3	120 - 45	H158579	7I4	11	90 - 101
H151620	10G6	15	170 - 27	H154930	8I2	5	120 - 57	H158638	6E24	5B	70 - 72
H151629	6F19	8	70 - 92	H154959	9I6	30	125 - 69	H158665	6C19	13	70 - 15
H151694	6F19	11	70 - 92	H154999	10G6	15	170 - 27	H158736	9I6	37	125 - 69
H151739	5D22	10	60 - 43	H155000	10G6	15	170 - 27	H158749	7B24	2	80 - 3
H151757	8C9	30	110 - 7	H155062	9E22	6	121 - 69	H158749	7C2	2	80 - 5
H151764	8H14	8	120 - 45	H155062	9E24	4	121 - 71	H158817	10E8	27	130 - 55
H151897	8H22	15	120 - 53	H155108	1C12	3B	20 - 17	H158830	7H8	3B	90 - 79
H151908	3C20	10	40 - 15	H155112	7C12	16	80 - 15	H158845	1B25	50	20 - 3

1K25

9500 AND SIDEHILL 9500 MAXIMIZER™ COMBINES

NUMERICAL INDEX - CONTINUED

PART NO.	GRID	KEY	PAGE	PART NO.	GRID	KEY	PAGE	PART NO.	GRID	KEY	PAGE
H158942	6F19	10	70 - 92	H162629	9D4	25	121 - 27	H167723	4D19	7	50 - 40
H158973	8C15	4	110 - 13	H162629	9D18	3	121 - 41	H167723	4D20	7	50 - 41
H158973	8J8	1C	120 - 87	H162629	10F6	6	170 - 3	H168019	9I6	42	125 - 69
H158975	4C16	..	50 - 11	H162850	7F10	11B	90 - 31	H168166	4C20	1	50 - 15
H158975	10F10	3	170 - 7	H163175	8D14	22	110 - 37	H168421	3C10	4	40 - 5
H158975	10G11	5	170 - 33	H163397	7H8	4	90 - 79	H168425	7G17	10	90 - 63
H159053	7D14	11	80 - 41	H163409	7F10	11B	90 - 31	H168426	3C20	33	40 - 15
H159291	6E24	3	70 - 72	H163491	5E9	10	60 - 57	H168428	7G24	1	90 - 70
H159636	7H8	30	90 - 79	H163787	10E10	12	130 - 57	H168431	7E12	3	90 - 9
H159733	7C16	14	80 - 19	H163994	8D14	13	110 - 37	H168436	7F20	4	90 - 41
H159740	3C20	10	40 - 15	H164009	8D14	31	110 - 37	H168744	4C20	1	50 - 15
H159740	3C20	15	40 - 15	H164018	8D14	40	110 - 37	H168745	4C20	1	50 - 15
H159740	3C20	17	40 - 15	H164222	8D14	10	110 - 37	H168780	6C7	11	70 - 3
H159740	3C20	20	40 - 15	H164348	3F14	7	40 - 83	H168780	7F12	4	90 - 33
H159740	3C20	22	40 - 15	H164348	3F16	7	40 - 85	H168780	7F20	3	90 - 41
H159740	3C20	24	40 - 15	H164348	3F18	7	40 - 87	H168780	7I4	13	90 - 101
H159740	3C20	27	40 - 15	H164391	8D6	20	110 - 29	H168899	4D22	3	50 - 43
H159740	3C20	39	40 - 15	H164391	8D14	44	110 - 37	H168924	3E16	2	40 - 61
H159740	3H5	1	40 - 122	H164404	10D12	17	130 - 35	H168961	4C8	14	50 - 3
H159740	3H5	2	40 - 122	H164410	8D12	15	110 - 35	H168988	4C10	16	50 - 5
H159743	7H8	37B	90 - 79	H164452	8D16	11	110 - 39	H168988	4C12	16	50 - 7
H159784	10E4	2	130 - 51	H164494	8D18	7	110 - 41	H168988	4E10	23	50 - 55
H159806	3G14	7	40 - 107	H164506	8D18	7	110 - 41	H168989	4C8	12	50 - 3
H159831	3C6	1	40 - 1	H164537	8C5	25	110 - 3	H169344	1C16	3	20 - 21
H159956	9E22	6	121 - 69	H164537	8D12	17	110 - 35	H169344	10F12	2	170 - 9
H159956	9E24	4	121 - 71	H164537	8D14	9	110 - 37	H169344	10G14	5	170 - 36
H159975	8C11	2	110 - 9	H164547	4D10	4	50 - 31	H169509	6F19	5	70 - 92
H159975	8C17	26	110 - 15	H164605	9H7	1B	125 - 46	H169712	9F2	9	121 - 73
H159975	8C23	2	110 - 21	H164632	3F11	1	40 - 80	H169712	9F4	9	121 - 75
H160249	7D12	..	80 - 39	H164757	3G22	6	40 - 115	H169793	2G4	10	32 - 3
H160265	7C2	22	80 - 5	H164759	3G22	4	40 - 115	H169794	2G4	7	32 - 3
H160459	10G9	29	170 - 30	H164774	8F14	13	110 - 87	H170105	10F22	2	170 - 19
H160701	10G8	17	170 - 29	H164775	8F14	1	110 - 87	H170105	10G14	5	170 - 36
H160702	10G8	17	170 - 29	H164794	4D10	20	50 - 31	H170303	2G10	2	32 - 9
H160715	9I6	28	125 - 69	H164794	4D12	21	50 - 33	H170303	2G12	2	32 - 11
H160795	10G8	17	170 - 29	H164921	5D6	42C	60 - 27	H170303	9C7	21C	121 - 5
H160880	3E2	6	40 - 47	H165247	9G4	56	125 - 19	H170634	3H7	9	40 - 125
H160880	3H7	11	40 - 125	H165247	9G6	18	125 - 21	H170634	8D20	30	110 - 43
H161021	7H8	1	90 - 79	H165247	10G8	7	170 - 29	H170634	8D22	..	110 - 45
H161091	7F20	14	90 - 41	H165252	3F12	7	40 - 81	H170634	8F8	19	110 - 81
H161289	3G20	8	40 - 113	H165293	5D6	10	60 - 27	H170634	8F8	25	110 - 81
H161289	7F6	16	90 - 27	H165317	8D6	24	110 - 29	H170967	10C23	14	130 - 21
H161289	7F8	17	90 - 29	H165317	8D14	42	110 - 37	H170967	10C23	20	130 - 21
H161529	10E10	19	130 - 57	H165318	8D6	21	110 - 29	H171006	9I6	9	125 - 69
H161529	10E12	8	130 - 59	H165318	8D14	43	110 - 37	H171061	1C5	28	20 - 9
H161549	3C10	4	40 - 5	H165508	4D10	4	50 - 31	H171061	9D16	13	121 - 39
H161648	8D16	10	110 - 39	H165510	4C20	12	50 - 15	H171061	9D22	15	121 - 45
H161648	8E4	10	110 - 51	H165510	4D22	8	50 - 43	H171061	9E6	11	121 - 53
H161876	7C8	16	80 - 11	H165585	7C14	15	80 - 17	H171061	9E18	4	121 - 65
H162048	7F20	4	90 - 41	H165585	7C18	15	80 - 21	H171061	9E22	20	121 - 69
H162055	5D6	42C	60 - 27	H165587	7C14	21	80 - 17	H171061	9E24	18	121 - 71
H162055	7H4	42C	90 - 75	H165587	7C18	21	80 - 21	H171061	9F2	35	121 - 73
H162056	5D6	41B	60 - 27	H165662	4C20	14	50 - 15	H171061	9F4	34	121 - 75
H162056	7H4	41B	90 - 75	H165663	4C20	14	50 - 15	H171061	9I12	12	125 - 75
H162138	7C10	17	80 - 13	H165664	4C20	14	50 - 15	H171061	10C25	13	130 - 23
H162177	8D12	23	110 - 35	H165665	4D22	10	50 - 43	H171318	8D12	23	110 - 35
H162177	8D14	27	110 - 37	H165666	4D22	10	50 - 43	H171318	8D14	27	110 - 37
H162211	8D14	20	110 - 37	H165691	6C7	11	70 - 3	H172177	8D12	14	110 - 35
H162269	8F4	31	110 - 77	H165691	7F12	4	90 - 33	H172177	8D14	23	110 - 37
H162278	8D14	25	110 - 37	H165691	7F20	3	90 - 41	H172337	1C1	2	20 - 4
H162288	8F4	30	110 - 77	H165691	7I4	13	90 - 101	H172923	5C14	20	60 - 11
H162325	8D12	2	110 - 35	H166148	6E24	3	70 - 72	H172924	5C14	14	60 - 11
H162326	8D12	7	110 - 35	H166201	4D22	11	50 - 43	H172944	7F6	11	90 - 27
H162425	8D12	14	110 - 35	H166357	3F11	2	40 - 80	H172944	7F8	14	90 - 29
H162425	8D14	23	110 - 37	H167159	7C10	3	80 - 13	H173011	10E16	41	130 - 63
H162569	5D6	41B	60 - 27	H167173	7E22	1	90 - 19	H173111	10G8	16	170 - 29
H162569	7H4	41B	90 - 75	H167174	7E22	1	90 - 19	H173223	10D14	34	130 - 37

NUMERICAL INDEX - CONTINUED

PART NO.	GRID	KEY	PAGE	PART NO.	GRID	KEY	PAGE	PART NO.	GRID	KEY	PAGE
H173336	10G8	16	170 - 29	H75267	9C21	3	121 - 19	H80896	7H16	15	90 - 87
H173824	10G2	1	170 - 23	H75358	4D6	30	50 - 27	H80896	10F6	4	170 - 3
H173824	10G9	21	170 - 30	H75385	9C7	14	121 - 5	H80926	8E2	2	110 - 49
H174266	5E9	..	60 - 57	H75406	8H10	21	120 - 41	H80926	8E7	1	110 - 54
H174266	10G11	1	170 - 33	H75423	4E25	..	50 - 71	H81010	7I2	21	90 - 99
H175540	8I14	1	120 - 69	H75423	5E3	5	60 - 50	H81330	10D8	5	130 - 31
H175590	8I20	5	120 - 75	H75423	5E4	5	60 - 51	H81461	5C18	30	60 - 15
H175703	8C11	4	110 - 9	H75541	1C14	8	20 - 19	H81467	5C18	17	60 - 15
H22529	9G16	32	125 - 31	H75541	2G20	14	32 - 19	H81608	6G18	13	70 - 116
H22784	4D19	14	50 - 40	H75541	6D20	33	70 - 41	H81608	6G19	25	70 - 117
H22784	4D20	14	50 - 41	H75541	6D22	24	70 - 43	H81742	7H14	17	90 - 85
H23196	7I2	6	90 - 99	H75541	6G17	2	70 - 115	H81742	10F6	4	170 - 3
H2383H	9F2	8	121 - 73	H75541	6H6	15	70 - 129	H82060	10D4	15	130 - 27
H23950	9F2	19	121 - 73	H75700	4D4	8	50 - 24	H82232	4D6	3	50 - 27
H23950	9F25	6	125 - 15	H75716	9I2	35	125 - 65	H82233	4D6	4	50 - 27
H23950	10F7	3	170 - 4	H75951	8H16	29	120 - 47	H82234	4D6	2	50 - 27
H25099	9E10	6	121 - 57	H75951	10C5	20	130 - 3	H82418	9E6	23	121 - 53
H25099	9E12	6	121 - 59	H75952	10C5	22	130 - 3	H82418	9E22	5	121 - 69
H25099	9E14	6	121 - 61	H75985	8E9	5	110 - 57	H82418	9E24	25	121 - 71
H25360	8E2	7	110 - 49	H75985	8E11	5	110 - 59	H82619	9C7	18	121 - 5
H26253	4D12	6	50 - 33	H75985	10C7	10	130 - 5	H82620	9D2	7	121 - 25
H26552	9I12	16	125 - 75	H76064	3D15	9	40 - 35	H82620	9D4	32	121 - 27
H28031	10C21	7	130 - 19	H76064	3E20	5	40 - 65	H83055	7G3	11	90 - 49
H28865	8E2	8	110 - 49	H76064	3E22	19	40 - 67	H83089	8H12	16	120 - 43
H29623	10D14	18	130 - 37	H76083	8C9	7	110 - 7	H83135	4C14	7	50 - 9
H32147	9F15	4	125 - 5	H76083	8E11	5	110 - 59	H83285	1C3	10	20 - 7
H35112	6C20	4	70 - 16	H76083	9I6	18	125 - 69	H83790	3G21	2	40 - 114
H36155	8H12	15	120 - 43	H76152	4C25	7	50 - 20	H83791	3G21	3	40 - 114
H36221	7E8	11	90 - 5	H76863	8J8	3A	120 - 87	H83795	9G16	26	125 - 31
H36221	7I2	20	90 - 99	H76863	8J8	4	120 - 87	H84026	8E19	4	110 - 67
H36256	5D6	48	60 - 27	H76863	8J9	2	120 - 88	H84026	8E19	34	110 - 67
H36256	7H4	48	90 - 75	H76863	10D10	8	130 - 33	H84026	8E21	4	110 - 69
H36256	7H6	48	90 - 77	H76933	9G16	28	125 - 31	H84026	8E21	33	110 - 69
H60816	6G15	14	70 - 113	H77337	3F8	14	40 - 77	H84318	4F3	13	50 - 74
H61355	4G14	29	50 - 111	H77337	7H14	9	90 - 85	H84375	5E9	3	60 - 57
H63271	4E2	3	50 - 47	H77358	7G17	11	90 - 63	H84375	5E10	2	60 - 58
H63271	4E4	17	50 - 49	H77507	2G4	8	32 - 3	H84869	8C23	3	110 - 21
H63271	4E7	26	50 - 52	H77512	8G10	3A	120 - 15	H84932	9G14	16	125 - 29
H63271	4E8	26	50 - 53	H77514	8G10	2A	120 - 15	H84942	8E19	18	110 - 67
H63271	4E12	9	50 - 57	H77698	3E12	11	40 - 57	H84942	8E21	18	110 - 69
H63271	4E13	6	50 - 58	H77698	7I2	..	90 - 99	H84948	7F18	16	90 - 39
H63283	6G19	9	70 - 117	H77698	8F4	14	110 - 77	H84948	8D24	16	110 - 47
H63288	4E14	13	50 - 59	H77698	9H14	17	125 - 53	H84990	9G2	34	125 - 17
H63288	4E14	15	50 - 59	H77739	4C8	10	50 - 3	H84990	9G8	2	125 - 23
H63289	4E7	3	50 - 52	H78340	9E20	4	121 - 67	H84991	9G4	43	125 - 19
H63289	4E8	3	50 - 53	H78340	9H14	31	125 - 53	H84992	9G2	26	125 - 17
H63289	4E14	14	50 - 59	H78354	9G14	4	125 - 29	H85015	9I2	22	125 - 65
H63289	4E14	15	50 - 59	H78557	7D24	13	80 - 51	H85184	7D10	15	80 - 37
H63289	6C11	10	70 - 7	H78856	8D20	25	110 - 43	H85184	7D24	1	80 - 51
H63357	6G20	4	70 - 118	H78856	8F8	9	110 - 81	H85184	8H8	7	120 - 39
H64374	8H12	1	120 - 43	H78856	9C17	16	121 - 15	H85184	8H14	12	120 - 45
H64374	9F25	2	125 - 15	H79910	1D12	..	25 - 5	H85184	9G2	31	125 - 17
H64374	9G16	20	125 - 31	H79910	2C12	26	30 - 5	H85233	7E10	5	90 - 7
H64375	9F25	2	125 - 15	H80197	8D20	24	110 - 43	H85233	8I22	20	120 - 77
H64375	9F25	12	125 - 15	H80197	8F8	8	110 - 81	H85482	8D20	29	110 - 43
H64376	8G12	1	120 - 17	H80197	9C17	15	121 - 15	H85482	8F8	13	110 - 81
H64376	8G21	1	120 - 27	H80228	10E10	8	130 - 57	H85482	9C17	19	121 - 15
H64376	9D6	15	121 - 29	H80306	3G22	6	40 - 115	H86108	2G10	4	32 - 9
H64376	10D14	2	130 - 37	H80440	5D17	4	60 - 38	H86108	2G12	4	32 - 11
H64584	7D22	16	80 - 49	H80753	5D6	35	60 - 27	H86161	5E3	4	60 - 50
H64584	10D6	7	130 - 29	H80753	7H4	35	90 - 75	H86760	9I7	10	125 - 70
H64612	2G4	20	32 - 3	H80796	10G8	11	170 - 29	H86783	9D24	12	121 - 47
H64813	4E12	29	50 - 57	H80821	5C6	9	60 - 3	H86880	6G15	5	70 - 113
H65108	9G14	4	125 - 29	H80821	6F4	10	70 - 77	H86881	6G15	4	70 - 113
H65322	8C23	15	110 - 21	H80821	6F6	11	70 - 79	H86896	10G14	3	170 - 36
H748DA	9D22	8	121 - 45	H80821	9H20	10	125 - 59	H871R	8D22	4	110 - 45
H75267	9C19	5	121 - 17	H80896	7H14	17	90 - 85	H871R	9D10	8	121 - 33

NUMERICAL INDEX - CONTINUED

PART NO.	GRID	KEY	PAGE	PART NO.	GRID	KEY	PAGE	PART NO.	GRID	KEY	PAGE
H87206	9E4	28	121 - 51	H94950	5E2	17	60 - 49	H99147	9D16	13	121 - 39
H87268	8I22	12	120 - 77	H94951	5E2	8	60 - 49	H99147	9D22	15	121 - 45
H87502	8D8	9	110 - 31	H94951	5E2	19	60 - 49	H99147	9E6	11	121 - 53
H87502	8D10	1	110 - 33	H95042	6D14	8	70 - 35	H99147	9E18	4	121 - 65
H87691	4C17	5	50 - 12	H95236	10G14	5	170 - 36	H99147	9E22	20	121 - 69
H87691	4C18	4	50 - 13	H95273	10G14	3	170 - 36	H99147	9E24	18	121 - 71
H87691	4C20	6	50 - 15	H95368	4C8	19	50 - 3	H99147	9F2	35	121 - 73
H87691	4C21	5	50 - 16	H95417	8D20	32	110 - 43	H99147	9F4	34	121 - 75
H87765	8C11	25	110 - 9	H95417	8F8	16	110 - 81	H99147	9I12	12	125 - 75
H88069	8F2	7	110 - 75	H95499	8E6	17	110 - 53	H99147	10C25	13	130 - 23
H88096	8D8	8	110 - 31	H95547	5E9	5	60 - 57	H99149	8G12	3	120 - 17
H88096	8D10	3	110 - 33	H95902	5C14	18	60 - 11	H99149	8G21	3	120 - 27
H88769	7C8	1	80 - 11	H96148	10E14	4	130 - 61	H99149	9D6	12	121 - 29
H88769	7C8	2	80 - 11	H96149	10D14	7	130 - 37	H99264	5C14	19	60 - 11
H88771	9C7	22	121 - 5	H96169	10D14	1	130 - 37	H99294	5D6	46	60 - 27
H88773	7H8	6	90 - 79	H96226	9D18	14	121 - 41	H99294	7H4	46	90 - 75
H88773	10C5	17	130 - 3	H96227	9D18	12	121 - 41	H99294	7H6	46	90 - 77
H88783	9F15	6	125 - 5	H96228	10D18	3	130 - 41	H99303	8E13	10	110 - 61
H88800	9G2	36	125 - 17	H96228	10E14	13	130 - 61	H99599	7C12	12	80 - 15
H88807	9F15	9	125 - 5	H96232	9D18	13	121 - 41	H99599	7C16	10	80 - 19
H88809	9F15	7	125 - 5	H96267	10D14	6	130 - 37	H99600	7C12	6	80 - 15
H89241	6G8	3	70 - 105	H96294	10D14	14	130 - 37	H99613	10E14	2	130 - 61
H89297	8E6	7	110 - 53	H96297	10D14	13	130 - 37	H99613	10E14	3	130 - 61
H89331	6G19	6	70 - 117	H96298	10D14	13	130 - 37	H99897	2G4	2	32 - 3
H89335	6G19	10	70 - 117	H96345	10E14	8	130 - 61	H99923	5D17	4	60 - 38
H89431	4C15	5	50 - 10	H96346	10E14	5	130 - 61	H99923	7F22	20	90 - 43
H89515	9E10	11	121 - 57	H96391	7G3	7	90 - 49	H99923	7G23	16	90 - 69
H89515	9E12	11	121 - 59	H96391	7G3	12A	90 - 49	H99923	8G12	18	120 - 17
H89515	9E14	12	121 - 61	H96455	7G19	23	90 - 65	H99923	8G12	28A	120 - 17
H89525	9E4	29	121 - 51	H96455	7G21	2	90 - 67	IPSKIT1	1D9	..	25 - 2
H89544	7B24	13	80 - 3	H96645	10E6	16	130 - 53	IPSKIT1	2C9	..	30 - 2
H89544	7C2	13	80 - 5	H96645	10E8	17	130 - 55	JD10007	8F2	10	110 - 75
H89569	10D2	8	130 - 25	H96652	10D18	12	130 - 41	JD10010	8D22	15	110 - 45
H89569	10D4	8	130 - 27	H96652	10E2	7	130 - 49	JD10011	8D22	21	110 - 45
H89617	8D22	6	110 - 45	H96652	10E4	7	130 - 51	JD10011	9E2	2	121 - 49
H89769	6G19	7	70 - 117	H96690	7E18	23	90 - 15	JD10018	8F4	4	110 - 77
H89853	8G12	23	120 - 17	H96690	8I14	12	120 - 69	JD10020	8E9	20	110 - 57
H91205	8H10	14	120 - 41	H96869	5E2	3	60 - 49	JD10020	8E11	14	110 - 59
H91228	9G16	12	125 - 31	H97288	6G15	13	70 - 113	JD10020	8E15	9	110 - 63
H91315	7F12	5	90 - 33	H97289	6G15	1	70 - 113	JD10032	9D10	45	121 - 33
H91788	3F8	15	40 - 77	H97291	6G15	8	70 - 113	JD10182	4D6	24	50 - 27
H91788	9E10	12	121 - 57	H97292	6G15	18	70 - 113	JD10214	9D10	30	121 - 33
H91788	9E12	12	121 - 59	H97293	6G15	19	70 - 113	JD10266	4D19	11	50 - 40
H91788	9E14	13	121 - 61	H97306	9D4	38	121 - 27	JD10266	4D20	11	50 - 41
H91796	9G16	15	125 - 31	H97308	8D20	16	110 - 43	JD10312	9E20	9	121 - 67
H92260	8D20	20	110 - 43	H97322	8C25	9	110 - 23	JD10342	8G12	7	120 - 17
H92308	4D10	21	50 - 31	H97322	8C25	13	110 - 23	JD10342	8G21	6	120 - 27
H92308	4D12	22	50 - 33	H97322	8E19	17	110 - 67	JD10342	9D6	6	121 - 29
H93084	8F4	13	110 - 77	H97322	8E21	17	110 - 69	JD10343	8G12	8	120 - 17
H93368	8D20	5	110 - 43	H97378	8F4	5	110 - 77	JD10343	8G21	7	120 - 27
H93399	9E8	26	121 - 55	H97410	8D20	33	110 - 43	JD10343	9D6	13	121 - 29
H93556	8C11	2	110 - 9	H97410	8F8	15	110 - 81	JD10362	1E25	16	25 - 43
H93556	8C17	26	110 - 15	H97513	9D22	4	121 - 45	JD10362	1F2	9	25 - 45
H93556	8C23	2	110 - 21	H97574	9I2	19	125 - 65	JD10363	1E25	14	25 - 43
H93619	3F3	2	40 - 72	H97919	8E19	28	110 - 67	JD10363	1F2	7	25 - 45
H93630	9D4	23	121 - 27	H98111	7E18	20	90 - 15	JD10387	9G2	8	125 - 17
H93631	9D4	22	121 - 27	H98111	7E18	21	90 - 15	JD10387	9G8	4	125 - 23
H93645	9D6	3	121 - 29	H98409	8F4	15	110 - 77	JD10401	4D22	2	50 - 43
H93927	8E2	17	110 - 49	H98494	3F10	6	40 - 79	JD10401	4D24	2	50 - 45
H93927	8E17	14	110 - 65	H98655	8E6	28	110 - 53	JD10462	4E17	8	50 - 63
H93927	8F8	27	110 - 81	H987R	3D15	7	40 - 35	JD39102	1B23	8	20 - 1
H94167	8H12	24	120 - 43	H98765	3F10	1	40 - 79	JD39102	1B25	38	20 - 3
H94386	9D14	13	121 - 37	H98765	6F10	3	70 - 83	JD39102	9I16	6	125 - 79
H94386	9E6	24	121 - 53	H98765	10E16	2	130 - 63	JD39102	9I16	12	125 - 79
H94505	3C20	3	40 - 15	H98906	8D22	14	110 - 45	JD39102	9I16	24	125 - 79
H94946	5E3	1	60 - 50	H99025	9G4	43	125 - 19	JD39102	10C5	5	130 - 3
H94946	5E4	1	60 - 51	H99147	1C5	28	20 - 9	JD39103	9I2	5	125 - 65

NUMERICAL INDEX - CONTINUED

PART NO.	GRID	KEY	PAGE	PART NO.	GRID	KEY	PAGE	PART NO.	GRID	KEY	PAGE
JD39103	9I14	15	125 - 77	JD7788	1C5	17	20 - 9	JD8210	9C21	6	121 - 19
JD39103	10C5	11	130 - 3	JD7788	5E5	9	60 - 52	JD8222	4D22	1	50 - 43
JD39103	10C13	4	130 - 11	JD7788	5E6	13	60 - 54	JD8222	4D24	1	50 - 45
JD39104	8J6	10	120 - 85	JD7788	5E7	13	60 - 55	JD8223	4D8	19	50 - 29
JD39104	10E10	20	130 - 57	JD7788	8F2	25	110 - 75	JD8237	4D6	23	50 - 27
JD39104	10E12	9	130 - 59	JD7788	8H6	29	120 - 37	JD8237	5E2	13	60 - 49
JD39104	10E16	34	130 - 63	JD7788	8H16	2	120 - 47	JD8237	5E2	19	60 - 49
JD39109	9E4	53	121 - 51	JD7788	9D18	6	121 - 41	JD8239	9D10	3	121 - 33
JD5127	10G9	24	170 - 30	JD7788	9E20	18	121 - 67	JD8255	9C23	2	121 - 21
JD5255	10G9	24	170 - 30	JD7788	10D16	4	130 - 39	JD8255	9C25	2	121 - 23
JD5400	10F10	6	170 - 7	JD7797	1C5	17	20 - 9	JD8257	4D6	5	50 - 27
JD5400	10F20	5	170 - 17	JD7797	4D14	5	50 - 35	JD8258	5E2	11	60 - 49
JD5400	10G13	8	170 - 35	JD7797	5D17	3	60 - 38	JD8258	5E2	19	60 - 49
JD5401	10F10	6	170 - 7	JD7797	5E5	1	60 - 52	JD8267	4D8	5	50 - 29
JD5401	10F20	5	170 - 17	JD7797	5E6	1	60 - 54	JD8524	10D14	8	130 - 37
JD5401	10G13	8	170 - 35	JD7797	5E7	1	60 - 55	JD8551	8E19	27	110 - 67
JD5592	10G13	5	170 - 35	JD7797	9C7	3	121 - 5	JD8551	8E21	27	110 - 69
JD7126	10E10	11	130 - 57	JD7797	9C17	8	121 - 15	JD8552	8E19	29	110 - 67
JD7292	9C19	11	121 - 17	JD7797	9D2	5	121 - 25	JD8552	8E21	29	110 - 69
JD7292	9C21	11	121 - 19	JD7797	9D10	25	121 - 33	JD8554	8H10	20	120 - 41
JD7298	4D19	10	50 - 40	JD7797	9E4	38	121 - 51	JD8554	9G16	11	125 - 31
JD7298	4D20	10	50 - 41	JD7797	9F2	26	121 - 73	JD8554	9G18	17	125 - 33
JD7378	9C19	10	121 - 17	JD7797	9F4	25	121 - 75	JD8554	10E6	13	130 - 53
JD7378	9C21	10	121 - 19	JD7797	9I2	20	125 - 65	JD8554	10E8	13	130 - 55
JD7395	9C23	11	121 - 21	JD7797	10D16	6	130 - 39	JD8563	9G16	18	125 - 31
JD7395	9C25	11	121 - 23	JD7797	10E14	14	130 - 61	JD8576	8F6	8	110 - 79
JD7418	9C23	10	121 - 21	JD7797	10E16	25	130 - 63	JD8576	9G2	11	125 - 17
JD7418	9C25	10	121 - 23	JD7798	9D4	26	121 - 27	JD8576	9G8	10	125 - 23
JD7425	4D10	9	50 - 31	JD7799	4E25	11	50 - 71	JD8665	8H12	11	120 - 43
JD7425	4D12	10	50 - 33	JD7806	5E5	9	60 - 52	JD8665	9G16	7	125 - 31
JD7441	9D10	29	121 - 33	JD7806	5E6	13	60 - 54	JD8665	10E6	15	130 - 53
JD7448	4E17	9	50 - 63	JD7806	5E7	13	60 - 55	JD8665	10E8	16	130 - 55
JD7502	4D10	3	50 - 31	JD7806	8C23	11	110 - 21	JD8668	9D4	16	121 - 27
JD7681	10C23	13	130 - 21	JD7806	9D18	6	121 - 41	JD8669	9D4	14	121 - 27
JD7686	9D24	22	121 - 47	JD7806	10D18	2	130 - 41	JD8676	9C11	17	121 - 9
JD7689	10C23	11	130 - 21	JD7826	8C23	9	110 - 21	JD8819	8D22	9	110 - 45
JD7759	1C5	17	20 - 9	JD7839	9D16	10	121 - 39	JD8902	5E2	14	60 - 49
JD7759	4D14	10	50 - 35	JD7842	6G15	46	70 - 113	JD8947	4D6	6	50 - 27
JD7759	4D18	10	50 - 39	JD7842	8F12	6	110 - 85	JD8952	5E2	10	60 - 49
JD7759	5E2	18	60 - 49	JD7842	8F14	11	110 - 87	JD8960	9D10	4	121 - 33
JD7759	5E3	6	60 - 50	JD7842	8F16	12	110 - 89	JD8979	4D8	6	50 - 29
JD7759	5E4	6	60 - 51	JD7844	9G8	5	125 - 23	JD9007	9C13	12	121 - 11
JD7759	6G17	16	70 - 115	JD7845	8G12	9	120 - 17	JD9007	9C15	4	121 - 13
JD7759	8C23	12	110 - 21	JD7845	8G21	8	120 - 27	JD9043	4E21	5	50 - 67
JD7759	8D20	13	110 - 43	JD7845	8H6	19	120 - 37	JD9075	9C15	12	121 - 13
JD7759	8F4	10	110 - 77	JD7845	9D6	11	121 - 29	JD9076	4E4	9	50 - 49
JD7759	8G12	11	120 - 17	JD7845	9I18	1	125 - 81	JD9078	9C23	1	121 - 21
JD7759	8G21	10	120 - 27	JD7845	9I20	3	125 - 83	JD9078	9C25	1	121 - 23
JD7759	8H6	23	120 - 37	JD7845	10E19	4	130 - 67	JD9091	9C5	1	121 - 3
JD7759	8J2	14	120 - 81	JD7846	9E4	5	121 - 51	JD9092	4D19	4	50 - 40
JD7759	8J4	7	120 - 83	JD7846	9E8	15	121 - 55	JD9092	4D20	4	50 - 41
JD7759	8J4	13	120 - 83	JD7846	9G2	10	125 - 17	JD9109	4E21	4	50 - 67
JD7759	9D6	9	121 - 29	JD7847	4E17	14	50 - 63	JD9113	4E2	4	50 - 47
JD7759	9D16	1	121 - 39	JD7847	4E25	11	50 - 71	JD9113	4E12	28	50 - 57
JD7759	9D18	4	121 - 41	JD8147	4D10	8	50 - 31	JD9132	9C15	13	121 - 13
JD7759	9E8	5	121 - 55	JD8147	4D12	9	50 - 33	JD9133	4E4	9	50 - 49
JD7759	10C16	9	130 - 14	JD8162	9C5	14	121 - 3	JD9146	9C5	2	121 - 3
JD7759	10D14	19	130 - 37	JD8162	9C9	3	121 - 7	JD9147	4D19	5	50 - 40
JD7759	10D18	29	130 - 41	JD8162	9C13	5	121 - 11	JD9147	4D20	5	50 - 41
JD7760	4D16	4	50 - 37	JD8164	9C19	7	121 - 17	JD9201	8E2	15	110 - 49
JD7760	4D18	4	50 - 39	JD8164	9C21	7	121 - 19	JD9201	8E17	13	110 - 65
JD7760	8F12	2	110 - 85	JD8182	4D8	18	50 - 29	JD9201	8F8	26	110 - 81
JD7760	8F14	2	110 - 87	JD8206	9C5	15	121 - 3	JD9201	8H6	14	120 - 37
JD7760	8F16	3	110 - 89	JD8206	9C9	2	121 - 7	JD9202	8E2	19	110 - 49
JD7763	10D14	19	130 - 37	JD8206	9C13	6	121 - 11	JD9202	8E17	15	110 - 65
JD7767	8H12	16	120 - 43	JD8206	9C15	2	121 - 13	JD9202	8F8	28	110 - 81
JD7778	10D14	19	130 - 37	JD8210	9C19	8	121 - 17	JD9219	10C17	5	130 - 15

NUMERICAL INDEX - CONTINUED

PART NO.	GRID	KEY	PAGE	PART NO.	GRID	KEY	PAGE	PART NO.	GRID	KEY	PAGE
JD9219	10C19	5	130 - 17	M42830	1F25	4	25 - 69	M84309	8I22	14	120 - 77
JD9239	1C5	1	20 - 9	M43518	4E4	31	50 - 49	M84309	10C21	2	130 - 19
JD9245	4D12	3	50 - 33	M43649	5C12	23	60 - 9	M84309	10D6	25	130 - 29
JD9273	8H12	4	120 - 43	M43835	3D21	10	40 - 41	M84309	10D8	32	130 - 31
JD9273	9G18	16	125 - 33	M43835	3G2	2	40 - 95	M84309	10D12	10	130 - 35
JD9301	8F6	4	110 - 79	M44269	8H2	3	120 - 33	M84971	1C12	11	20 - 17
JD9313	9I2	11	125 - 65	M45123	9D12	3	121 - 35	M84972	10D2	6	130 - 25
JD9313	9I7	6	125 - 70	M47566	8H4	10	120 - 35	M84972	10D4	6	130 - 27
JD9356	8F6	7	110 - 79	M48000	4E4	2	50 - 49	M86436	3D21	1	40 - 41
JD9373	8E9	17	110 - 57	M48000	4E10	15	50 - 55	M88436	7E24	18	90 - 21
JD9373	8E9	20	110 - 57	M48109	3D4	1	40 - 23	M93425	7D10	19	80 - 37
JD9373	8E11	20	110 - 59	M48869	6F4	23	70 - 77	M93425	8C5	29	110 - 3
JD9373	8E15	15	110 - 63	M48869	6F6	4	70 - 79	M93425	8C7	13	110 - 5
JD9373	10E8	4	130 - 55	M48869	9H20	4	125 - 59	M93425	8C9	29	110 - 7
JD9395	3F2	16	40 - 71	M63707	4F5	13	50 - 76	M95728	9G18	11	125 - 33
JD9407	8F2	2	110 - 75	M63707	5C4	13	60 - 1	M95728	10F7	7	170 - 4
JD9434	8H6	16	120 - 37	M63707	6G9	13	70 - 106	N102039	4C25	9	50 - 20
JD9442	9G16	17	125 - 31	M63707	9D8	9	121 - 31	N102042	8E17	8	110 - 65
JD9449	3F2	16	40 - 71	M63707	9D10	17	121 - 33	N10212	3H4	10	40 - 121
JD9490	8H16	6	120 - 47	M63707	9D12	11	121 - 35	N10213	3D13	9	40 - 33
JD9849	4E17	2	50 - 63	M66044	3E14	34	40 - 59	N10213	3H4	10	40 - 121
J16931	1B25	21	20 - 3	M66044	3E22	21	40 - 67	N10215	7F22	6	90 - 43
J16931	1C5	22	20 - 9	M66125	9I16	12	125 - 79	N10215	7G23	11	90 - 69
J16931	6F10	13	70 - 83	M66125	9I16	23	125 - 79	N10217	5D8	13	60 - 29
J16931	7C24	7	80 - 27	M68701	3D15	5	40 - 35	N10217	5D10	8	60 - 31
J16931	9G4	59	125 - 19	M68701	7D14	10	80 - 41	N10217	6C9	4	70 - 5
J16931	9I14	5	125 - 77	M68701	7D16	14	80 - 43	N10217	6C23	16	70 - 19
J16931	10D14	36	130 - 37	M71184	3C22	7	40 - 17	N10217	6D2	10	70 - 23
J16931	10E16	40	130 - 63	M71184	3C22	8	40 - 17	N10217	6D4	6	70 - 25
J18468	10E6	18	130 - 53	M71184	3C24	7	40 - 19	N10217	6D6	15	70 - 27
J18468	10E8	23	130 - 55	M71184	3C24	8	40 - 19	N110085	9I2	29	125 - 65
J21022	9I2	15	125 - 65	M71442	3C22	5	40 - 17	N110085	9I12	7	125 - 75
J2375M	6D18	1	70 - 39	M71442	3C22	7	40 - 17	N110085	10F6	8	170 - 3
J2375M	6D20	3	70 - 41	M71442	3C22	8	40 - 17	N110219	9E24	9	121 - 71
J2375M	6D22	3	70 - 43	M71442	3C24	5	40 - 19	N110219	9F4	37	121 - 75
K40001	6D18	25	70 - 39	M71442	3C24	7	40 - 19	N115096	3G2	11	40 - 95
K40001	6D20	29	70 - 41	M71442	3C24	8	40 - 19	N117501	9E2	13A	121 - 49
K40001	6D22	21	70 - 43	M71770	6F2	16	70 - 75	N12405	7G19	5	90 - 65
K40003	10E6	5	130 - 53	M72490	1E15	10	25 - 33	N126584	4E4	18	50 - 49
K40003	10E8	10	130 - 55	M72490	1E19	5	25 - 37	N126585	4E2	6	50 - 47
K40003	10E8	11	130 - 55	M72490	1F25	10	25 - 69	N126586	4E10	13	50 - 55
K40994	6E12	15	70 - 59	M72490	1G2	7	25 - 71	N126588	4E14	9	50 - 59
L1526N	10C11	5	130 - 9	M72490	1G4	11	25 - 73	N126599	4E4	7	50 - 49
L1730N	8E6	3	110 - 53	M72490	2E5	15	30 - 49	N126599	4E6	4	50 - 51
L1880N	3D15	2	40 - 35	M72490	2E11	15	30 - 55	N126600	4E4	10	50 - 49
L2301CU	6G15	38	70 - 113	M72490	2E13	15	30 - 57	N126600	4E6	1	50 - 51
L24517	6C23	7	70 - 19	M72490	2E15	15	30 - 59	N126601	4E7	7	50 - 52
L29041	9C5	3	121 - 3	M72490	2E17	16	30 - 61	N126601	4E8	7	50 - 53
L29042	9C5	3	121 - 3	M72490	2E19	15	30 - 63	N126602	4E4	27	50 - 49
L29043	9C5	3	121 - 3	M72490	2E21	15	30 - 65	N126603	4E4	1	50 - 49
L29044	9C5	3	121 - 3	M72598	7D10	2	80 - 37	N126609	4E4	6	50 - 49
L33993	3F6	1	40 - 75	M72598	7D24	7	80 - 51	N126609	4E6	2	50 - 51
L3483N	9H14	23	125 - 53	M72598	8C5	19	110 - 3	N126612	4E2	22	50 - 47
L36230	6F16	19	70 - 89	M72598	8C9	19	110 - 7	N126612	4E12	37	50 - 57
L38138	3C22	5	40 - 17	M72598	8C15	6	110 - 13	N126638	4E7	2	50 - 52
L38138	3C24	5	40 - 19	M72598	8H14	10	120 - 45	N126638	4E8	2	50 - 53
M111701	1B25	20	20 - 3	M72598	8H20	8	120 - 51	N126641	4E10	10	50 - 55
M112271	10D14	35	130 - 37	M72598	9H7	3	125 - 46	N126654	4E14	4	50 - 59
M112639	9H2	15	125 - 41	M72598	9H8	3	125 - 47	N12679	5C20	26	60 - 17
M121T	3G12	5	40 - 105	M73000	8E2	11	110 - 49	N128541	4E14	5	50 - 59
M15973	9G16	20	125 - 31	M73000	8F8	22	110 - 81	N130510	4E14	8	50 - 59
M2300T	9G16	14	125 - 31	M73346	9E2	13B	121 - 49	N133564	6G15	45	70 - 113
M2353T	9D16	15	121 - 39	M78494	2G22	3	32 - 21	N133565	6G15	44	70 - 113
M2952DN	8E6	3	110 - 53	M80082	3D4	1	40 - 23	N134803	8J6	7B	120 - 85
M41029	4D6	35	50 - 27	M80082	9I6	39	125 - 69	N134803	9D24	27B	121 - 47
M41029	6F6	2	70 - 79	M80082	10C9	..	130 - 7	N134803	9D24	28B	121 - 47
M41029	9H20	2	125 - 59	M82321	3D4	1	40 - 23	N139123	9C23	13	121 - 21

NUMERICAL INDEX - CONTINUED

PART NO.	GRID	KEY	PAGE	PART NO.	GRID	KEY	PAGE	PART NO.	GRID	KEY	PAGE
N139123	9C25	13	121 - 23	P46402	9D14	8	121 - 37	RE12326	5E7	5	60 - 55
N14820	9E10	8	121 - 57	P46402	9D22	12	121 - 45	RE12330	3F24	14	40 - 93
N14820	9E12	8	121 - 59	P46402	9E6	8	121 - 53	RE12331	3F24	12	40 - 93
N14820	9E14	8	121 - 61	P46402	9E18	1	121 - 65	RE12332	3F24	18	40 - 93
N14822	7H12	25	90 - 83	P46402	9E22	17	121 - 69	RE12332	3G10	12	40 - 103
N15764	10C17	4	130 - 15	P46402	9E24	15	121 - 71	RE12333	3F24	21	40 - 93
N15764	10C19	4	130 - 17	P46402	9I12	9	125 - 75	RE12334	3F24	8	40 - 93
N167861	1G14	15	25 - 83	P46402	10C25	11	130 - 23	RE12362	3C8	11	40 - 3
N189220	10E8	29	130 - 55	P46770	9C5	4	121 - 3	RE12362	3E20	22	40 - 65
N191174	4E2	24	50 - 47	P46874	8D16	5	110 - 39	RE12362	3F24	4	40 - 93
N191174	4E12	42	50 - 57	P46874	8F6	5	110 - 79	RE12362	3G10	7	40 - 103
N195027	9E2	9	121 - 49	P46874	10C23	10	130 - 21	RE12363	3C8	12	40 - 3
N196034	4E2	21	50 - 47	P47140	5C12	23	60 - 9	RE12363	3C18	2	40 - 13
N196034	4E12	40	50 - 57	P47159	7B24	17	80 - 3	RE12363	3C24	11	40 - 19
N197422	4D10	13	50 - 31	P47159	7C2	17	80 - 5	RE12363	3D19	17	40 - 39
N197422	4D12	13	50 - 33	P47885	9F2	19	121 - 73	RE12363	3D21	4	40 - 41
N199920	4D4	2B	50 - 24	P47885	9F25	6	125 - 15	RE12363	3D21	11	40 - 41
N205021	6E3	5	70 - 48	P47885	10F7	3	170 - 4	RE12363	3D23	1	40 - 43
N205022	6E3	10	70 - 48	P48067	9G2	36	125 - 17	RE12363	3D23	14	40 - 43
N209312	6E3	5	70 - 48	P48347	4E7	17	50 - 52	RE12363	3D23	16	40 - 43
N232713	6D18	24	70 - 39	P48347	6E3	4	70 - 48	RE12363	3D23	21	40 - 43
N232713	6D20	28	70 - 41	P48691	9D4	28	121 - 27	RE12363	3D25	11	40 - 45
N232713	6D22	20	70 - 43	P48925	7G5	2	90 - 51	RE12363	3D25	13	40 - 45
N276475	4D16	9	50 - 37	P50273	9E22	11	121 - 69	RE12363	3E2	7	40 - 47
N276699	4C16	6	50 - 11	P50456	8D20	23	110 - 43	RE12363	3E2	20	40 - 47
N31772	4F5	8	50 - 76	P50456	8F8	7	110 - 81	RE12363	3E4	10	40 - 49
N31772	5C4	8	60 - 1	P50456	9C17	14	121 - 15	RE12363	3E6	16	40 - 51
N31772	6G9	8	70 - 106	P51212	6E10	23	70 - 57	RE12363	3E18	1	40 - 63
N34367	8F2	1	110 - 75	P51212	7H12	3	90 - 83	RE12363	3E20	23	40 - 65
N34986	6F6	12	70 - 79	P51212	7H14	1	90 - 85	RE12363	3E22	23	40 - 67
N5044DN	8E21	15	110 - 69	P51212	7H16	1	90 - 87	RE12363	3E22	24	40 - 67
N52258	8H16	7	120 - 47	P5403H	8G21	15	120 - 27	RE12363	3F10	8	40 - 79
N61654	9D14	3	121 - 37	P5403H	8G25	..	120 - 31	RE12363	3F24	11	40 - 93
N61654	9E18	13	121 - 65	RE10258	1G5	10	25 - 74	RE12363	3G8	5	40 - 101
N61709	9H7	1A	125 - 46	RE10258	1G6	6	25 - 75	RE12363	3G10	1	40 - 103
N61709	9H7	5	125 - 46	RE10258	1G9	10	25 - 78	RE12363	3H2	1	40 - 119
N61709	9H8	1	125 - 47	RE10258	2E25	4	30 - 69	RE12363	6C7	13	70 - 3
N61709	9H8	5	125 - 47	RE10258	2F1	5	30 - 70	RE12363	6G8	15	70 - 105
N61709	10D8	40	130 - 31	RE10258	2F2	4	30 - 71	RE12364	3D23	22	40 - 43
N71921	10D14	4	130 - 37	RE10259	2E25	4	30 - 69	RE12364	3F24	16	40 - 93
N71922	8D22	20	110 - 45	RE10582	1G7	1	25 - 76	RE12364	3G10	13	40 - 103
N72306	8F10	14	110 - 83	RE10582	2E23	1	30 - 67	RE12364	3H2	6	40 - 119
N72989	10E6	1	130 - 53	RE10973	7H21	5	90 - 93	RE12365	3D23	24	40 - 43
N72989	10E8	1	130 - 55	RE10974	7H17	11	90 - 88	RE12365	3F24	20	40 - 93
N72989	10E14	12	130 - 61	RE10975	7H17	13	90 - 88	RE12365	3G10	9	40 - 103
N85298	6C15	16	70 - 11	RE10976	7H19	1	90 - 90	RE12366	3E20	6	40 - 65
PF10026	10D4	16	130 - 27	RE10977	7H21	6	90 - 93	RE12366	3F24	25	40 - 93
PF80021	10C11	15	130 - 9	RE10978	7H21	3	90 - 93	RE12366	3G10	11	40 - 103
PF80105	10C11	15	130 - 9	RE10979	7H21	1	90 - 93	RE12366	3H7	1	40 - 125
PF80112	10C9	12	130 - 7	RE10980	7H17	4	90 - 88	RE12513	7H14	18	90 - 85
PF80113	10C9	13	130 - 7	RE10981	7H17	1	90 - 88	RE12766	1F17	12	25 - 61
PM797NA	3G4	57	40 - 97	RE10982	7H17	2	90 - 88	RE12766	1F21	12	25 - 65
PM797NA	3G6	40	40 - 99	RE11154	3G4	57	40 - 97	RE13541	7F22	24	90 - 43
PM9000	3D17	20	40 - 37	RE11154	3G6	40	40 - 99	RE13722	1G19	5	25 - 89
PM9200	3D17	20	40 - 37	RE11156	3G4	36	40 - 97	RE13722	1G19	..	25 - 89
PT2314	3D19	4	40 - 39	RE11157	3G4	37	40 - 97	RE13722	2F20	5	30 - 89
P42061	6G15	9	70 - 113	RE11157	3G18	15	40 - 111	RE13722	2F20	..	30 - 89
P43363	9F2	22	121 - 73	RE11410	1E11	3	25 - 29	RE13731	1G25	1	25 - 96
P43363	9F4	21	121 - 75	RE11410	2D5	3	30 - 23	RE13732	1H2	10	25 - 98
P43969	4D6	25	50 - 27	RE12049	7F22	..	90 - 43	RE13733	1H2	9	25 - 98
P44439	9G16	6	125 - 31	RE12180	1H3	5	25 - 99	RE14229	1G4	19	25 - 73
P44478	10E16	39	130 - 63	RE12180	3E10	8	40 - 55	RE14229	1G4	20	25 - 73
P45458	7H16	7	90 - 87	RE12325	5E5	10	60 - 52	RE14229	1G4	22	25 - 73
P45750	6C23	7	70 - 19	RE12325	5E6	14	60 - 54	RE15058	1H2	15	25 - 98
P45750	6F19	2	70 - 92	RE12325	5E7	14	60 - 55	RE15807	1F17	26	25 - 61
P46369	4D16	10	50 - 37	RE12326	5E5	5	60 - 52	RE15807	1F19	26	25 - 63
P46369	4D18	9	50 - 39	RE12326	5E6	5	60 - 54	RE15807	1F21	26	25 - 65

1L6

9500 AND SIDEHILL 9500 MAXIMIZER™ COMBINES

NUMERICAL INDEX - CONTINUED

PART NO.	GRID	KEY	PAGE	PART NO.	GRID	KEY	PAGE	PART NO.	GRID	KEY	PAGE
RE15807	1F23	26	25 - 67	RE28217	2E21	23	30 - 65	RE30973	2F3	10	30 - 72
RE15807	2E7	27	30 - 51	RE28320	1G4	1	25 - 73	RE31258	2D25	1	30 - 43
RE15807	2E9	27	30 - 53	RE28320	2E5	1	30 - 49	RE31504	1G4	24	25 - 73
RE15808	1F17	27	25 - 61	RE28320	2E11	1	30 - 55	RE31504	2E5	28	30 - 49
RE15808	1F19	27	25 - 63	RE28320	2E13	1	30 - 57	RE31504	2E11	28	30 - 55
RE15808	1F21	27	25 - 65	RE28320	2E15	1	30 - 59	RE31701	4E17	6	50 - 63
RE15808	1F23	27	25 - 67	RE28320	2E19	1	30 - 63	RE32064	1F25	5	25 - 69
RE15808	2E7	28	30 - 51	RE28320	2E21	1	30 - 65	RE32824	4E17	10	50 - 63
RE15808	2E9	28	30 - 53	RE28368	1E25	20	25 - 43	RE32856	1F15	10	25 - 59
RE20768	9D24	19	121 - 47	RE28947	1G14	20	25 - 83	RE32856	2D17	10	30 - 35
RE21790	1F8	11	25 - 51	RE28947	1G14	21	25 - 83	RE33336	4E15	1	50 - 61
RE21790	2E3	2	30 - 47	RE28947	1G14	22	25 - 83	RE33337	4E15	1	50 - 61
RE21790	2G10	5	32 - 9	RE28950	1G14	5	25 - 83	RE33338	4E15	1	50 - 61
RE21790	2G12	5	32 - 11	RE28951	1G14	5	25 - 83	RE33339	4E15	1	50 - 61
RE22642	4E17	16	50 - 63	RE28954	1G14	10	25 - 83	RE33390	1D24	4	25 - 17
RE22764	1D22	1	25 - 15	RE28954	1G14	11	25 - 83	RE33390	1E6	9	25 - 24
RE22764	1E2	5	25 - 20	RE28954	1G14	12	25 - 83	RE33390	1F25	6	25 - 69
RE22764	2C20	1	30 - 13	RE29179	1G12	8	25 - 81	RE33390	1G4	7	25 - 73
RE22764	2C25	5	30 - 18	RE29179	2F6	8	30 - 75	RE33482	1F21	39	25 - 65
RE23182	1D9	2	25 - 2	RE29179	2F8	8	30 - 77	RE33486	1F25	14	25 - 69
RE23182	2C9	2	30 - 2	RE29488	2D25	1	30 - 43	RE33542	1G14	20	25 - 83
RE23295	1F2	11	25 - 45	RE29498	1D12	24	25 - 5	RE33636	2G10	8	32 - 9
RE24045	1E9	11	25 - 27	RE29499	1D18	1	25 - 11	RE33636	2G12	8	32 - 11
RE24045	2D6	11	30 - 24	RE29507	1F17	7	25 - 61	RE34010	1E11	22	25 - 29
RE24046	1E9	13	25 - 27	RE29508	1F17	6	25 - 61	RE34010	1G17	17	25 - 87
RE24046	2D6	13	30 - 24	RE29509	1F17	4	25 - 61	RE34048	1F25	22	25 - 69
RE24307	3E10	6	40 - 55	RE29510	1F17	3	25 - 61	RE34048	2E17	1	30 - 61
RE24307	7H14	5	90 - 85	RE29511	1F17	2	25 - 61	RE34049	1F25	22	25 - 69
RE24307	7H16	5	90 - 87	RE29512	1F17	1	25 - 61	RE34049	1G2	17	25 - 71
RE24468	2E5	24	30 - 49	RE29526	1E6	4	25 - 24	RE34049	2E17	1	30 - 61
RE24468	2E11	24	30 - 55	RE29528	1E11	27	25 - 29	RE34100	1F25	19	25 - 69
RE24706	1E23	9	25 - 41	RE29583	1G4	6	25 - 73	RE34100	2E17	25	30 - 61
RE24772	1E25	11	25 - 43	RE29721	1F21	7	25 - 65	RE34128	1G5	10	25 - 74
RE24772	1F2	3	25 - 45	RE29722	1F21	6	25 - 65	RE34128	1G6	6	25 - 75
RE24975	1G18	3	25 - 88	RE29723	1F21	4	25 - 65	RE34128	1G9	10	25 - 78
RE24975	2F15	3	30 - 84	RE29724	1F21	3	25 - 65	RE34128	2E13	10	30 - 57
RE25253	1F17	17	25 - 61	RE29725	1F21	2	25 - 65	RE34128	2E15	10	30 - 59
RE25253	1F19	17	25 - 63	RE29726	1F21	1	25 - 65	RE34128	2E25	4	30 - 69
RE25253	1G12	11	25 - 81	RE29859	1G17	20	25 - 87	RE34128	2F1	5	30 - 70
RE25253	2E9	16	30 - 53	RE29859	2F14	19	30 - 83	RE34128	2F2	4	30 - 71
RE25253	2F6	11	30 - 75	RE30085	1G12	8	25 - 81	RE35139	1F25	12	25 - 69
RE25253	2F8	11	30 - 77	RE30091	1D12	24	25 - 5	RE35139	1G6	18	25 - 75
RE25254	1D23	10	25 - 16	RE30159	1F21	17	25 - 65	RE35142	1G4	13	25 - 73
RE25652	1D23	8	25 - 16	RE30159	1F23	17	25 - 67	RE35142	1G5	15	25 - 74
RE25652	1D23	10	25 - 16	RE30159	1G12	11	25 - 81	RE35142	1G9	15	25 - 78
RE25665	1F11	20	25 - 55	RE30206	1G17	44	25 - 87	RE35161	7E14	1	90 - 11
RE25665	2D23	15	30 - 41	RE30295	2E5	24	30 - 49	RE35284	1F25	21	25 - 69
RE25998	1F11	19	25 - 55	RE30295	2E11	24	30 - 55	RE35284	2E17	9	30 - 61
RE25998	2D23	2	30 - 41	RE30562	1F11	19	25 - 55	RE35643	1D16	1	25 - 9
RE25998	2D25	1	30 - 43	RE30562	2E1	1	30 - 44	RE35647	1D22	1	25 - 15
RE26380	1E11	19	25 - 29	RE30635	1F11	4	25 - 55	RE35647	1G17	44	25 - 87
RE27012	1D23	8	25 - 16	RE30635	1F11	5	25 - 55	RE35684	1F17	35	25 - 61
RE27091	1G14	14	25 - 83	RE30833	1F17	39	25 - 61	RE35684	2E5	8	30 - 49
RE27091	2F10	11	30 - 79	RE30833	2E5	5	30 - 49	RE35684	2E11	8	30 - 55
RE27091	2F12	11	30 - 81	RE30833	2E11	5	30 - 55	RE35684	2E13	8	30 - 57
RE27132	1D24	5	25 - 17	RE30833	2E13	5	30 - 57	RE35684	2E15	8	30 - 59
RE27132	1D24	8	25 - 17	RE30833	2E15	5	30 - 59	RE35684	2E19	8	30 - 63
RE27837	4E23	5	50 - 69	RE30833	2E19	5	30 - 63	RE35684	2E21	8	30 - 65
RE27839	1E7	9	25 - 25	RE30833	2E21	5	30 - 65	RE35799	1F21	34	25 - 65
RE27875	1D24	5	25 - 17	RE30920	1F17	33	25 - 61	RE35799	2E17	7	30 - 61
RE27875	1D24	8	25 - 17	RE30920	2E5	3	30 - 49	RE35800	1F21	33	25 - 65
RE28217	1G4	..	25 - 73	RE30920	2E11	3	30 - 55	RE35800	2E17	6	30 - 61
RE28217	2E5	23	30 - 49	RE30920	2E13	3	30 - 57	RE35992	1D9	3	25 - 2
RE28217	2E11	23	30 - 55	RE30920	2E15	3	30 - 59	RE35992	2C9	3	30 - 2
RE28217	2E13	23	30 - 57	RE30920	2E19	3	30 - 63	RE36024	1D16	1	25 - 9
RE28217	2E15	23	30 - 59	RE30920	2E21	3	30 - 65	RE36038	1F13	1	25 - 57
RE28217	2E19	23	30 - 63	RE30973	1G10	10	25 - 79	RE36151	1G8	8	25 - 77

NUMERICAL INDEX - CONTINUED

PART NO.	GRID	KEY	PAGE	PART NO.	GRID	KEY	PAGE	PART NO.	GRID	KEY	PAGE
RE36151	1G15	8	25-85	RE39247	2F18	14	30-87	RE43388	1F25	22	25-69
RE36151	2E22	8	30-66	RE39249	1G22	3	25-93	RE43388	3F20	3	40-89
RE36151	2E24	8	30-68	RE39249	2F18	3	30-87	RE43423	1G20	11	25-90
RE36259	2G14	2	32-13	RE39250	1G22	11	25-93	RE43423	1G22	..	25-93
RE36259	2G14	5	32-13	RE39250	2F18	11	30-87	RE43423	2F16	11	30-85
RE36259	2G16	5	32-15	RE39251	1G22	1	25-93	RE43423	2F18	..	30-87
RE36285	1F11	19	25-55	RE39251	2F18	1	30-87	RE43511	2F21	5	30-90
RE36285	1F12	1	25-56	RE39780	1G14	5	25-83	RE43774	6H6	27	70-129
RE36285	2D23	2	30-41	RE39889	2D11	9	30-29	RE43978	1F11	1	25-55
RE36367	2D13	2	30-31	RE39890	2D13	16	30-31	RE43978	2D23	3	30-41
RE36421	1F17	28	25-61	RE40048	2G18	4	32-17	RE44118	1E17	12	25-35
RE36421	1F19	28	25-63	RE41173	1G14	5	25-83	RE44118	1E18	2	25-36
RE36421	1F21	28	25-65	RE41174	1G14	5	25-83	RE44131	1F25	22	25-69
RE36421	1F23	28	25-67	RE41216	1E11	27	25-29	RE44518	2D23	2	30-41
RE36421	2E7	29	30-51	RE41758	1G20	10	25-90	RE44518	2E17	11	30-61
RE36421	2E9	29	30-53	RE41758	1G20	11	25-90	RE44705	1G2	17	25-71
RE37039	1C12	13	20-17	RE41758	2F16	10	30-85	RE45329	1G20	10	25-90
RE37229	1F9	1	25-52	RE41758	2F16	11	30-85	RE45329	1G20	11	25-90
RE37425	1E8	1	25-26	RE41811	2C21	1	30-14	RE45329	2F16	10	30-85
RE37626	8D22	17	110-45	RE41821	2C16	1	30-9	RE45329	2F16	11	30-85
RE37651	3G18	16	40-111	RE41821	2C23	5	30-16	RE45329	2F19	1	30-88
RE37689	1G14	10	25-83	RE41821	2C23	6	30-16	RE45329	2F19	4	30-88
RE37689	1G14	11	25-83	RE41821	2F15	2	30-84	RE45329	2F19	8	30-88
RE37689	1G14	12	25-83	RE41875	1G19	5	25-89	RE45330	2F19	11	30-88
RE38235	3F20	3	40-89	RE41875	1G19	..	25-89	RE45337	2D15	10	30-33
RE38240	1F25	22	25-69	RE41875	1G25	17	25-96	RE45337	2D16	3	30-34
RE38288	1F12	..	25-56	RE41875	2F20	5	30-89	RE45426	1E11	27	25-29
RE38288	2E1	..	30-44	RE41875	2F20	..	30-89	RE45557	1F11	4	25-55
RE38331	1F12	1	25-56	RE41991	2G20	1	32-19	RE45557	1F11	6	25-55
RE38331	2E1	1	30-44	RE41991	2G20	13	32-19	RE46252	2E5	17	30-49
RE38345	1F11	19	25-55	RE41991	7H8	27	90-79	RE46252	2E11	17	30-55
RE38346	1F13	..	25-57	RE42107	2D16	6	30-34	RE46252	2E13	17	30-57
RE38346	2D25	..	30-43	RE42149	2C16	1	30-9	RE46252	2E15	17	30-59
RE38682	1F5	8	25-48	RE42151	2F14	37	30-83	RE46252	2E19	17	30-63
RE38682	1F6	8	25-49	RE42383	2D3	3	30-21	RE46252	2E21	17	30-65
RE38732	1F25	14	25-69	RE42588	2C16	1	30-9	RE46252	2E25	6	30-69
RE38732	1G2	13	25-71	RE42671	1D25	5	25-18	RE46252	2F2	6	30-71
RE38732	1G2	16	25-71	RE42675	1D18	1	25-11	RE46264	1G2	10	25-71
RE38733	1G4	15	25-73	RE42675	1D25	4	25-18	RE46364	1F21	17	25-65
RE38733	1G4	20	25-73	RE42675	1D25	5	25-18	RE46364	1F23	17	25-67
RE38738	1G14	8	25-83	RE42675	1D25	6	25-18	RE46364	1G10	5	25-79
RE38738	1G14	12	25-83	RE42675	1G18	2	25-88	RE46364	1G10	13	25-79
RE38828	1E15	14	25-33	RE42741	1E11	27	25-29	RE46364	1G12	8	25-81
RE38828	1E17	12	25-35	RE42741	2D5	18	30-23	RE46364	2E7	16	30-51
RE38828	1E17	14	25-35	RE42777	1G22	6	25-93	RE46364	2F3	5	30-72
RE38828	1E18	2	25-36	RE42777	2F18	6	30-87	RE46364	2F3	13	30-72
RE38828	2D9	2	30-27	RE42777	2F19	10	30-88	RE46364	2F4	13	30-73
RE38870	1F21	37	25-65	RE43131	1E25	20	25-43	RE46380	1E23	25	25-41
RE38871	1F21	37	25-65	RE43132	1E25	20	25-43	RE46380	2D13	14	30-31
RE38871	2E17	4	30-61	RE43166	1G20	..	25-90	RE46657	7H16	16	90-87
RE39063	1G24	10	25-95	RE43166	2D15	20	30-33	RE46657	7H22	..	90-94
RE39064	1G19	..	25-89	RE43166	2F16	..	30-85	RE46802	2E17	1	30-61
RE39064	1G24	13	25-95	RE43266	1G20	10	25-90	RE47044	2F12	6	30-81
RE39064	1H2	16	25-98	RE43266	1G20	11	25-90	RE47106	1D12	24	25-5
RE39064	2F20	..	30-89	RE43266	1G22	4	25-93	RE47107	1D18	1	25-11
RE39121	2D15	15	30-33	RE43266	1G22	6	25-93	RE47108	1D12	24	25-5
RE39121	2D16	6	30-34	RE43266	1G22	..	25-93	RE47120	1F17	12	25-61
RE39131	4E19	6	50-65	RE43266	2F16	10	30-85	RE47120	1F19	12	25-63
RE39134	1E25	13	25-43	RE43266	2F16	11	30-85	RE47120	1F21	12	25-65
RE39134	1F2	6	25-45	RE43266	2F18	6	30-87	RE47120	1F23	12	25-67
RE39241	1G22	6	25-93	RE43266	2F18	..	30-87	RE47120	2E7	11	30-51
RE39241	2F18	6	30-87	RE43369	2E5	21	30-49	RE47120	2E9	11	30-53
RE39243	1G22	9	25-93	RE43369	2E11	21	30-55	RE47336	1E11	22	25-29
RE39243	2F18	9	30-87	RE43369	2E13	21	30-57	RE47336	1G17	17	25-87
RE39245	1G22	10	25-93	RE43369	2E15	21	30-59	RE47336	2D5	19	30-23
RE39245	2F18	10	30-87	RE43369	2E19	21	30-63	RE47336	2F14	18	30-83
RE39247	1G22	14	25-93	RE43369	2E21	21	30-65	RE47396	2D23	2	30-41

NUMERICAL INDEX - CONTINUED

PART NO.	GRID	KEY	PAGE	PART NO.	GRID	KEY	PAGE	PART NO.	GRID	KEY	PAGE
RE47396	2E5	10	30-49	RE49899	1G2	12	25-71	RE52510	7H23	2	90-95
RE47396	2E11	10	30-55	RE49899	1G2	13	25-71	RE52553	7G9	4	90-55
RE47414	1F23	7	25-67	RE500110	2E21	1	30-65	RE52555	7G15	1	90-61
RE47414	2E7	7	30-51	RE500111	2E15	1	30-59	RE53199	2C23	5	30-16
RE47415	1F23	5	25-67	RE501246	2E21	1	30-65	RE53199	2C23	7	30-16
RE47415	2E7	6	30-51	RE501247	2E15	1	30-59	RE53199	2C23	8	30-16
RE47416	1F23	4	25-67	RE501249	2E21	1	30-65	RE53199	2F15	1	30-84
RE47416	2E7	4	30-51	RE501250	2E15	1	30-59	RE53201	1D16	1	25-9
RE47417	1F23	3	25-67	RE501250	2E15	..	30-59	RE53201	1D24	7	25-17
RE47417	2E7	3	30-51	RE501262	2E15	28	30-59	RE53201	1D24	8	25-17
RE47418	1F23	2	25-67	RE501262	2E21	28	30-65	RE53203	1D18	1	25-11
RE47418	2E7	2	30-51	RE50140	2E17	21	30-61	RE53203	1D25	4	25-18
RE47419	1F23	1	25-67	RE501710	2E15	1	30-59	RE53203	1D25	7	25-18
RE47419	2E7	1	30-51	RE501711	2E21	1	30-65	RE53203	1D25	8	25-18
RE47426	1F19	7	25-63	RE501808	2E13	1	30-57	RE53203	1G18	1	25-88
RE47426	2E9	7	30-53	RE501812	2E21	1	30-65	RE53408	7H18	3	90-89
RE47427	1F19	5	25-63	RE501813	2E15	1	30-59	RE53408	7H23	3	90-95
RE47427	2E9	6	30-53	RE501828	2E19	1	30-63	RE53422	1D25	2	25-18
RE47428	1F19	4	25-63	RE502125	2E13	1	30-57	RE53422	1D25	8	25-18
RE47428	2E9	4	30-53	RE502125	2E13	..	30-57	RE53426	1D16	1	25-9
RE47429	1F19	3	25-63	RE502125	2E15	1	30-59	RE53446	1D16	1	25-9
RE47429	2E9	3	30-53	RE502125	2E15	..	30-59	RE53458	2C16	1	30-9
RE47430	1F19	2	25-63	RE502125	2E19	1	30-63	RE53465	1D18	1	25-11
RE47430	2E9	2	30-53	RE502125	2E19	..	30-63	RE53470	2C16	1	30-9
RE47431	1F19	1	25-63	RE502125	2E21	1	30-65	RE54244	1G14	2	25-83
RE47431	2E9	1	30-53	RE502125	2E21	..	30-65	RE54244	2F10	2	30-79
RE47501	1G14	2	25-83	RE502147	2E19	1	30-63	RE54244	2F12	2	30-81
RE47501	1G14	3	25-83	RE502148	2E13	1	30-57	RE54245	1G14	3	25-83
RE47501	1G14	21	25-83	RE502259	2E13	10	30-57	RE54245	2F10	3	30-79
RE47501	1G14	22	25-83	RE502259	2E15	10	30-59	RE54245	2F12	3	30-81
RE47501	2F10	4	30-79	RE502259	2E19	10	30-63	RE54416	1G20	10	25-90
RE47501	2F12	4	30-81	RE502259	2E21	10	30-65	RE54416	1G20	11	25-90
RE47522	1G4	1	25-73	RE502404	2E13	1	30-57	RE54416	1G22	6	25-93
RE47635	2F10	6	30-79	RE502404	2E15	1	30-59	RE54416	1G22	..	25-93
RE47635	2F12	6	30-81	RE502404	2E15	..	30-59	RE54416	2F16	10	30-85
RE47723	1F17	7	25-61	RE502404	2E19	1	30-63	RE54416	2F16	11	30-85
RE47724	1F17	6	25-61	RE502404	2E21	1	30-65	RE54416	2F18	6	30-87
RE47725	1F17	4	25-61	RE502510	1E3	4	25-21	RE54416	2F18	..	30-87
RE47726	1F17	3	25-61	RE502510	2D1	4	30-19	RE55277	3C10	..	40-5
RE47727	1F17	2	25-61	RE504122	1C14	2	20-19	RE55277	3D17	20	40-37
RE47728	1F17	1	25-61	RE504122	1C14	3	20-19	RE55278	3C10	..	40-5
RE47850	2F10	9	30-79	RE504122	1C14	7	20-19	RE55444	2C16	1	30-9
RE48048	1G5	1	25-74	RE504635	2E15	28	30-59	RE55445	2C16	1	30-9
RE48048	2E25	1	30-69	RE504635	2E21	28	30-65	RE55511	1F11	1	25-55
RE48048	2F2	1	30-71	RE50589	1D16	1	25-9	RE55511	1F11	4	25-55
RE48051	2F12	9	30-81	RE50868	1D23	8	25-16	RE55511	2D23	3	30-41
RE48284	7H8	34	90-79	RE50868	1D23	10	25-16	RE55970	2F4	10	30-73
RE48310	2G12	11	32-11	RE50868	2C22	8	30-15	RE55971	2E7	16	30-51
RE48310	3E12	20	40-57	RE50868	2C22	10	30-15	RE55971	2F4	13	30-73
RE48321	2G12	11	32-11	RE51052	7H22	2	90-94	RE55986	1E25	20	25-43
RE48380	1D23	8	25-16	RE52110	1G12	8	25-81	RE55992	1E25	11	25-43
RE48380	2C22	8	30-15	RE52113	1F17	17	25-61	RE55992	1F2	3	25-45
RE48454	2F15	3	30-84	RE52113	1F19	17	25-63	RE55994	1F2	11	25-45
RE48606	2E17	18	30-61	RE52113	1G12	11	25-81	RE56053	1G20	11	25-90
RE48606	2F1	3	30-70	RE52113	2E9	16	30-53	RE56053	1G20	..	25-90
RE48729	2E5	1	30-49	RE52113	2F6	11	30-75	RE56053	1G22	4	25-93
RE48729	2E11	1	30-55	RE52113	2F8	11	30-77	RE56053	1G22	..	25-93
RE48729	2E13	1	30-57	RE52114	1G12	8	25-81	RE56053	2F16	11	30-85
RE48739	1D22	1	25-15	RE52114	2F6	8	30-75	RE56053	2F18	..	30-87
RE48739	1D23	10	25-16	RE52114	2F8	8	30-77	RE56715	1D16	1	25-9
RE48739	2C22	10	30-15	RE52277	2D11	9	30-29	RE56740	2F4	9	30-73
RE49243	4E17	1	50-63	RE52454	7H22	1	90-94	RE57054	2D3	3	30-21
RE49243	4E17	6	50-63	RE52506	7H18	1	90-89	RE57372	2D23	2	30-41
RE49290	2F21	1	30-90	RE52506	7H23	1	90-95	RE57372	2E13	10	30-57
RE49591	2E5	3	30-49	RE52507	7H24	1	90-96	RE57372	2E15	10	30-59
RE49591	2E11	3	30-55	RE52509	7H25	1	90-97	RE57372	2E19	10	30-63
RE49831	1D16	1	25-9	RE52510	7H18	2	90-89	RE57372	2E21	10	30-65

NUMERICAL INDEX - CONTINUED

PART NO.	GRID	KEY	PAGE	PART NO.	GRID	KEY	PAGE	PART NO.	GRID	KEY	PAGE
RE57394	1E23	1	25-41	RE64206	2C20	1	30-13	RG20846	1D22	1	25-15
RE57394	1E23	2	25-41	RE64206	2F14	37	30-83	RG22248	1G17	20	25-87
RE57394	1E23	25	25-41	RE64212	2C20	1	30-13	RG22248	2F14	19	30-83
RE57394	2D13	12	30-31	RE65052	2C16	1	30-9	RG22421	1E6	4	25-24
RE57394	2D13	13	30-31	RE65052	2C18	1	30-11	RG22421	1E7	4	25-25
RE57394	2D13	14	30-31	RE65055	1D12	24	25-5	RG22789	2C10	1	30-3
RE57420	2C12	..	30-5	RE65055	1D14	25	25-7	RG22793	2C20	1	30-13
RE57512	1D23	8	25-16	RE65057	1D12	24	25-5	RG22797	1D22	1	25-15
RE57512	1D23	10	25-16	RE65057	1D14	25	25-7	RG23426	1D10	1	25-3
RE57512	2C22	8	30-15	RE65058	1D18	1	25-11	RG23426	2C10	1	30-3
RE57512	2C22	10	30-15	RE65058	1D20	1	25-13	RG23551	2C23	5	30-16
RE57513	1D22	1	25-15	RE65059	1D16	1	25-9	RG23551	2C23	8	30-16
RE57513	1D23	10	25-16	RE65059	1D20	1	25-13	RG24025	1D14	24	25-7
RE57513	2C22	10	30-15	RE65060	1D16	1	25-9	RG24025	1E11	..	25-29
RE57517	1D23	8	25-16	RE65060	1D20	1	25-13	RG24026	2D5	..	30-23
RE57517	2C22	8	30-15	RE65077	2C16	1	30-9	RG25273	2C14	1	30-7
RE57733	1E3	4	25-21	RE65077	2C18	1	30-11	RG25825	2C14	1	30-7
RE57733	2D1	4	30-19	RE65176	1G20	11	25-90	RG27884	1G17	20	25-87
RE58348	7H23	3	90-95	RE65176	1G20	..	25-90	RG27884	2F14	19	30-83
RE58350	2D16	6	30-34	RE65176	1G22	4	25-93	RG27912	1D22	1	25-15
RE58457	1D18	1	25-11	RE65176	1G22	..	25-93	RG27918	1D22	1	25-15
RE58458	1D16	1	25-9	RE65176	2F16	11	30-85	RG27920	2C20	1	30-13
RE58459	1D16	1	25-9	RE65693	7G11	1	90-57	RG27921	2C20	1	30-13
RE58463	2C16	1	30-9	RE65694	7G11	3	90-57	RV702A	5C12	25	60-9
RE58465	2C16	1	30-9	RE65695	7G9	3	90-55	RV810A	9I6	14	125-69
RE58516	1E11	19	25-29	RE65696	7G13	1	90-59	RV810A	10C7	3	130-5
RE58516	1E11	27	25-29	RE65718	2D23	2	30-41	R100364	2D15	12	30-33
RE58516	2D5	18	30-23	RE66000	2E15	28	30-59	R100367	2D15	11	30-33
RE59589	1G20	11	25-90	RE66000	2E21	28	30-65	R100367	2D16	4	30-34
RE59589	1G22	6	25-93	RE66554	2D23	2	30-41	R100367	2F14	26	30-83
RE59589	1G22	..	25-93	RE66555	2E21	1	30-65	R100369	2D15	9	30-33
RE59589	2F16	11	30-85	RE66565	2E15	1	30-59	R100369	2D16	2	30-34
RE60294	1D22	1	25-15	RE66614	2E15	1	30-59	R100380	1G24	3	25-95
RE60294	1D23	10	25-16	RE66614	2E21	1	30-65	R100406	2C14	..	30-7
RE60294	2C20	1	30-13	RE66778	1D22	1	25-15	R100406	2C16	1	30-9
RE60294	2C22	10	30-15	RE66780	1D22	1	25-15	R100407	1E15	19	25-33
RE60295	1D22	1	25-15	RE66784	2C20	1	30-13	R100499	2D13	5	30-31
RE60296	2C20	1	30-13	RE66785	2C20	1	30-13	R100508	1G22	13	25-93
RE60386	2C16	1	30-9	RE67013	3G14	5	40-107	R100508	2F18	13	30-87
RE60396	1D12	24	25-5	RE67014	3G14	8	40-107	R100509	1G22	8	25-93
RE60408	1D12	24	25-5	RE67015	3G14	6	40-107	R100509	2F18	8	30-87
RE60409	1D18	1	25-11	RE67208	2D15	20	30-33	R100511	1G22	7	25-93
RE60410	1D16	1	25-9	RE67934	2E15	25	30-59	R100511	2F18	7	30-87
RE60419	1D16	1	25-9	RE67934	2E21	25	30-65	R100512	1G22	12	25-93
RE60452	2C16	1	30-9	RE68230	2D15	15	30-33	R100512	2F18	12	30-87
RE60550	1E18	2	25-36	RE68316	2D16	6	30-34	R100513	1G22	5	25-93
RE60550	1E19	9	25-37	RE68396	1F11	12	25-55	R100513	2F18	5	30-87
RE60622	1E15	14	25-33	RE68396	1F11	20	25-55	R100569	1E17	13	25-35
RE60622	1E17	12	25-35	RE68396	2D21	2	30-39	R100569	1E18	1	25-36
RE60622	1E17	14	25-35	RE68396	2D23	15	30-41	R100569	2D9	1	30-27
RE60622	1E18	2	25-36	RE68396	2D23	16	30-41	R100569	2D11	10	30-29
RE60622	1E19	9	25-37	RE68401	4E17	16	50-63	R100569	2F14	34	30-83
RE62723	2D11	9	30-29	RE68495	3G14	1	40-107	R100630	1E7	6	25-25
RE62898	2E19	1	30-63	RE68844	2D23	3	30-41	R100727	4E21	7	50-67
RE63090	2F10	6	30-79	RE69839	2D15	10	30-33	R100747	1F11	17	25-55
RE63090	2F12	6	30-81	RE69839	2D16	3	30-34	R100747	2D23	21	30-41
RE63115	2D11	9	30-29	RE69844	1E25	11	25-43	R100911	1G17	3	25-87
RE63115	2D11	11	30-29	RE69844	1F2	3	25-45	R100911	2F14	2	30-83
RE63293	1D24	2	25-17	RE69847	1F2	8	25-45	R10093	7H12	5	90-83
RE63293	1D24	5	25-17	RE69847	1F2	11	25-45	R10093	7H14	3	90-85
RE63293	1D24	8	25-17	RE70105	2D23	2	30-41	R10093	7H16	3	90-87
RE63514	2D23	2	30-41	RE70922	2D23	2	30-41	R100942	1E6	6	25-24
RE63514	2E13	10	30-57	RE70923	2D23	2	30-41	R100942	1E6	6A	25-24
RE63514	2E15	10	30-59	RG19170	1E6	4	25-24	R101042	2D15	2	30-33
RE63514	2E19	10	30-63	RG19170	1E7	4	25-25	R101042	2D16	1	30-34
RE63514	2E21	10	30-65	RG19279	1E25	15	25-43	R101042	2F14	25	30-83
RE63832	7G15	2	90-61	RG19279	1F2	11	25-45	R101043	2D15	14	30-33

1L10

9500 AND SIDEHILL 9500 MAXIMIZER™ COMBINES

NUMERICAL INDEX - CONTINUED

PART NO.	GRID	KEY	PAGE	PART NO.	GRID	KEY	PAGE	PART NO.	GRID	KEY	PAGE
R102838	1F8	7	25-51	R105379	1E7	2	25-25	R112268	2D2	8	30-20
R102838	1G17	9	25-87	R105379	1E9	15	25-27	R112268	2D15	14	30-33
R102838	2D20	2	30-38	R105379	2D3	2	30-21	R112269	1E4	11	25-22
R102838	2D21	3	30-39	R105379	2D6	15	30-24	R112269	1E4	13	25-22
R102844	2D13	7	30-31	R105488	1D25	4	25-18	R112269	2D2	6	30-20
R102882	1E11	26	25-29	R105494	1E6	2	25-24	R112269	2D15	4	30-33
R102882	2D5	5	30-23	R105494	1E6	4	25-24	R112273	2D2	10	30-20
R102932	1E11	27	25-29	R105494	1E7	2	25-25	R11278	3D19	5	40-39
R102932	2D5	18	30-23	R105494	1E7	4	25-25	R112857	4E2	26	50-47
R104574	2C12	11	30-5	R105494	1E9	15	25-27	R112857	4E12	38	50-57
R104574	2C14	1	30-7	R105506	2D2	3	30-20	R112884	1E3	1	25-21
R104574	2C16	1	30-9	R105578	1F5	15	25-48	R112884	2D1	1	30-19
R104574	2C18	1	30-11	R105581	7F22	13	90-43	R113050	7H12	3	90-83
R104574	2C21	2	30-14	R105732	2D15	4	30-33	R113050	7H16	1	90-87
R104587	2C23	4	30-16	R105732	2D15	19	30-33	R114085	1F9	2	25-52
R104589	2D3	6	30-21	R105732	2F22	5	30-91	R114130	1D12	2	25-5
R104590	2E5	11	30-49	R106859	1D12	6	25-5	R114130	1D14	2	25-7
R104590	2E11	11	30-55	R106859	1D14	6	25-7	R114130	1F25	9	25-69
R104590	2E13	11	30-57	R106859	1E23	18	25-41	R114130	1G2	6	25-71
R104590	2E15	11	30-59	R107734	3F3	11	40-72	R114130	1G4	10	25-73
R104590	2E17	12	30-61	R107734	3F4	11	40-73	R114130	1G19	1	25-89
R104590	2E19	11	30-63	R107823	7G23	6	90-69	R114130	1G20	2	25-90
R104590	2E21	11	30-65	R108370	1E6	2	25-24	R114130	2E5	14	30-49
R104591	2D15	1	30-33	R108370	1E6	4	25-24	R114130	2E13	14	30-57
R104592	1D12	12	25-5	R108370	1E7	2	25-25	R114130	2E15	14	30-59
R104592	1D14	12	25-7	R108370	1E7	4	25-25	R114130	2E17	15	30-61
R104592	1E23	5	25-41	R108370	1E9	15	25-27	R114130	2E19	14	30-63
R104592	1F8	6	25-51	R108400	2F22	1	30-91	R114130	2E21	14	30-65
R104592	2C12	10	30-5	R108604	2D19	16	30-37	R114130	2F16	2	30-85
R104592	2D20	1	30-38	R108630	2D19	23	30-37	R114130	2F20	1	30-89
R104592	2D21	2	30-39	R108691	1F11	4	25-55	R114160	2D19	6	30-37
R104592	2D21	4	30-39	R108691	1F11	8	25-55	R115050	1E2	3	25-20
R104595	3D15	6	40-35	R108699	1G10	7	25-79	R115050	2C25	3	30-18
R104595	3D15	18	40-35	R108699	2F3	7	30-72	R115368	1G12	5	25-81
R104621	1E23	3	25-41	R108700	1G10	8	25-79	R115368	2F6	5	30-75
R104621	2D13	11	30-31	R108700	2F3	8	30-72	R115368	2F8	5	30-77
R104623	2D2	2	30-20	R108701	1G10	9	25-79	R115369	1G12	3	25-81
R104623	2F14	22	30-83	R108701	2F3	9	30-72	R115369	1G12	5	25-81
R104628	1E17	11	25-35	R108702	1G10	11	25-79	R115369	2F6	3	30-75
R104628	1E18	3	25-36	R108702	2F3	11	30-72	R115369	2F8	3	30-77
R104628	2D9	3	30-27	R108867	2D13	9	30-31	R115393	2D21	2	30-39
R104628	2D11	8	30-29	R109717	2D3	2	30-21	R115742	7H22	..	90-94
R104646	1G20	6	25-90	R109717	2D3	3	30-21	R115743	7H18	4	90-89
R104646	2F16	6	30-85	R109717	2D6	15	30-24	R115743	7H23	4	90-95
R104646	2F19	3	30-88	R109777	1D12	24	25-5	R116311	1D16	1	25-9
R104656	2D2	15	30-20	R109777	1D16	1	25-9	R116311	1D18	1	25-11
R104656	2D3	5	30-21	R109777	1D18	1	25-11	R116311	1D24	7	25-17
R104676	1G20	5	25-90	R109780	1D12	24	25-5	R116311	1D25	7	25-18
R104676	2F16	5	30-85	R109780	1D16	1	25-9	R116311	1G18	1	25-88
R104676	2F19	2	30-88	R109859	2D19	16	30-37	R116311	2C23	7	30-16
R104677	2F19	4	30-88	R110126	1E6	2	25-24	R116311	2F15	1	30-84
R104706	1F8	6	25-51	R110126	1E7	2	25-25	R116465	2D2	3	30-20
R104858	2D3	2	30-21	R110126	1E9	15	25-27	R119223	1G14	1	25-83
R104858	2D3	3	30-21	R110126	2D3	2	30-21	R119223	2F10	1	30-79
R104858	2D6	15	30-24	R110126	2D6	15	30-24	R119223	2F12	1	30-81
R104859	1E4	11	25-22	R110286	2D5	21	30-23	R119995	2C14	..	30-7
R104859	1E4	12	25-22	R110288	2D5	7	30-23	R119995	2C16	1	30-9
R104859	2D2	4	30-20	R110289	2D5	6	30-23	R119996	2C14	..	30-7
R104861	1E5	1	25-23	R111156	6C17	5	70-13	R119996	2C16	1	30-9
R104861	2D2	5	30-20	R111995	4E17	1	50-63	R120646	1F8	7	25-51
R104861	2D15	6	30-33	R111995	4E17	6	50-63	R120646	1G17	9	25-87
R104862	2D13	15	30-31	R112038	2F22	6	30-91	R120646	2D20	2	30-38
R105346	1F11	15	25-55	R112053	2D3	7	30-21	R120646	2D21	3	30-39
R105346	1G17	6	25-87	R112267	2D2	9	30-20	R120646	2F14	9	30-83
R105346	2D23	19	30-41	R112267	2D15	4	30-33	R120653	3D15	6	40-35
R105346	2F14	5	30-83	R112267	2D15	5	30-33	R120653	3D15	18	40-35
R105379	1E6	2	25-24	R112268	1E5	14	25-23	R120752	1D24	3	25-17

NUMERICAL INDEX - CONTINUED

PART NO.	GRID	KEY	PAGE	PART NO.	GRID	KEY	PAGE	PART NO.	GRID	KEY	PAGE
R120752	1D25	3	25 - 18	R122729	1D12	24	25 - 5	R26207	4C25	6	50 - 20
R120752	2C23	3	30 - 16	R122729	1D14	25	25 - 7	R26265	4D8	7	50 - 29
R120872	2D3	2	30 - 21	R122729	1D16	1	25 - 9	R26333	1G18	4	25 - 88
R120872	2D3	3	30 - 21	R122729	1D18	1	25 - 11	R26333	2F15	4	30 - 84
R120872	2D6	15	30 - 24	R122729	1D20	1	25 - 13	R26375	3E12	24	40 - 57
R121044	2F4	1	30 - 73	R122730	1D12	24	25 - 5	R26375	4D4	11	50 - 24
R121045	2F4	2	30 - 73	R122730	1D14	25	25 - 7	R26375	4E25	12	50 - 71
R121046	2F4	3	30 - 73	R122730	1D16	1	25 - 9	R26375	4G14	34	50 - 111
R121047	2F4	4	30 - 73	R122730	1D20	1	25 - 13	R26375	4G16	28	50 - 113
R121048	2F4	5	30 - 73	R122736	2C14	..	30 - 7	R26375	4G18	1	50 - 115
R121050	2F4	8	30 - 73	R122736	2C16	1	30 - 9	R26375	4G20	1	50 - 117
R121051	2F4	9	30 - 73	R122736	2C18	1	30 - 11	R26375	5C10	11	60 - 7
R121052	2F4	11	30 - 73	R122737	2C14	..	30 - 7	R26375	5D2	5	60 - 23
R121053	2F4	6	30 - 73	R122737	2C16	1	30 - 9	R26375	5D8	1	60 - 29
R121054	2F4	6	30 - 73	R122737	2C18	1	30 - 11	R26375	6C13	1	70 - 9
R121055	2F4	6	30 - 73	R123145	7H17	6	90 - 88	R26375	6C15	4	70 - 11
R121056	2F4	6	30 - 73	R124186	2D13	8	30 - 31	R26375	6C17	3	70 - 13
R121057	2F4	6	30 - 73	R124328	1E17	14	25 - 35	R26375	6C20	2	70 - 16
R121058	2F4	6	30 - 73	R124578	7H12	19	90 - 83	R26375	6C23	5	70 - 19
R121059	2F4	6	30 - 73	R124581	1G22	4	25 - 93	R26375	6D2	33	70 - 23
R121060	2F4	6	30 - 73	R124746	2D11	11	30 - 29	R26375	6D6	3	70 - 27
R121061	2F4	6	30 - 73	R125027	1E2	3	25 - 20	R26375	6D8	1	70 - 29
R121062	2F4	6	30 - 73	R125027	2C25	3	30 - 18	R26375	6D10	1	70 - 31
R121063	2F4	6	30 - 73	R125183	1E3	4	25 - 21	R26375	6D12	11	70 - 33
R121064	2F4	6	30 - 73	R125183	2D1	4	30 - 19	R26375	6D18	19	70 - 39
R121065	2F4	6	30 - 73	R128557	2D13	1	30 - 31	R26375	6D20	17	70 - 41
R121066	2F4	6	30 - 73	R128557	2F14	33	30 - 83	R26375	6D22	8	70 - 43
R121067	2F4	6	30 - 73	R128558	2D13	3	30 - 31	R26375	6D24	18	70 - 45
R121068	2F4	6	30 - 73	R128558	2F14	29	30 - 83	R26375	6E3	9	70 - 48
R121069	2F4	6	30 - 73	R133617	3C12	17	40 - 7	R26375	6E5	1	70 - 51
R121070	2F4	6	30 - 73	R133617	7F14	17	90 - 35	R26375	6F8	9	70 - 81
R121071	2F4	6	30 - 73	R134429	1F8	6	25 - 51	R26375	6G8	2	70 - 105
R121072	2F4	6	30 - 73	R134429	2D20	1	30 - 38	R26375	6G11	7	70 - 109
R121073	2F4	6	30 - 73	R134727	2D13	5	30 - 31	R26375	6G13	7	70 - 111
R121164	2E13	10	30 - 57	R136083	1E9	3	25 - 27	R26375	6G18	7	70 - 116
R121164	2E15	10	30 - 59	R136083	2D6	3	30 - 24	R26375	6G19	20	70 - 117
R121164	2E19	10	30 - 63	R15027	3F2	23	40 - 71	R26375	6G22	15	70 - 121
R121164	2E21	10	30 - 65	R15029	3F2	19	40 - 71	R26375	6H6	3	70 - 129
R121195	2E5	13	30 - 49	R15033	3F2	20	40 - 71	R26375	8D22	33	110 - 45
R121195	2E11	13	30 - 55	R15036	3F2	8	40 - 71	R26375	9C21	20	121 - 19
R121195	2E13	10	30 - 57	R15036	3F6	14	40 - 75	R26375	9E2	17	121 - 49
R121195	2E13	13	30 - 57	R1612R	1D12	10	25 - 5	R26375	9H16	10	125 - 55
R121195	2E15	10	30 - 59	R1612R	1D14	10	25 - 7	R26375	9H18	14	125 - 57
R121195	2E15	13	30 - 59	R1612R	2C12	8	30 - 5	R26375	10C23	15	130 - 21
R121195	2E17	14	30 - 61	R1818R	4D4	4	50 - 24	R26375	10E23	4	160 - 2
R121195	2E19	10	30 - 63	R20135	9D16	3	121 - 39	R26448	1F11	4	25 - 55
R121195	2E19	13	30 - 63	R20136	8D20	27	110 - 43	R26448	1F11	7	25 - 55
R121195	2E21	10	30 - 65	R20136	8F8	11	110 - 81	R26448	1G5	9	25 - 74
R121195	2E21	13	30 - 65	R21612	5C18	27	60 - 15	R26448	1G6	5	25 - 75
R121199	1E3	1	25 - 21	R21630	1D12	13	25 - 5	R26448	1G9	9	25 - 78
R121199	2D1	1	30 - 19	R21630	1D14	13	25 - 7	R26448	2E25	3	30 - 69
R121320	1E11	11	25 - 29	R26049	1D25	4	25 - 18	R26448	2F1	4	30 - 70
R121320	2D5	8	30 - 23	R26058	1E2	4	25 - 20	R26448	2F2	3	30 - 71
R121321	1E11	10	25 - 29	R26058	1G17	37	25 - 87	R26448	2G8	9	32 - 7
R121322	1E11	9	25 - 29	R26058	2C25	4	30 - 18	R26448	4E7	20	50 - 52
R121489	2D5	21	30 - 23	R26058	2F14	35	30 - 83	R26448	4E8	20	50 - 53
R121490	2D5	7	30 - 23	R26079	1E9	8	25 - 27	R26448	4E10	19	50 - 55
R121491	2D5	6	30 - 23	R26079	2D6	8	30 - 24	R26448	4E12	21	50 - 57
R122112	1E11	27	25 - 29	R26081	1E9	2	25 - 27	R26448	4F3	7	50 - 74
R122112	2D5	18	30 - 23	R26081	2D6	2	30 - 24	R26448	4F4	7	50 - 75
R122351	7H23	3	90 - 95	R26151	1E20	5	25 - 38	R26448	4G14	10	50 - 111
R122483	2F4	7	30 - 73	R26151	1E21	5	25 - 39	R26448	4G14	33	50 - 111
R122491	2D5	18	30 - 23	R26151	1E23	11	25 - 41	R26448	4G16	10	50 - 113
R122595	1F14	2	25 - 58	R26192	5D4	28	60 - 25	R26448	4G16	27	50 - 113
R122595	2E2	2	30 - 45	R26192	5D4	30	60 - 25	R26448	4H4	1	50 - 125
R122618	1F11	13	25 - 55	R26192	7H2	28	90 - 73	R26448	4H6	1	50 - 127
R122618	2D23	17	30 - 41	R26192	7H2	30	90 - 73	R26448	5C8	1	60 - 5

NUMERICAL INDEX - CONTINUED

PART NO.	GRID	KEY	PAGE	PART NO.	GRID	KEY	PAGE	PART NO.	GRID	KEY	PAGE
R26448	5C10	2	60-7	R26906	10E24	14	160-3	R30815	6C20	6	70-16
R26448	5C10	15	60-7	R27149	1D12	27	25-5	R30903	4E5	6	50-50
R26448	5D2	14	60-23	R27149	1D14	28	25-7	R30903	6E12	14	70-59
R26448	5D14	1	60-35	R27149	2C12	24	30-5	R31250	3E22	13	40-67
R26448	5D16	1	60-37	R27166	4E10	9	50-55	R31378	8F4	2	110-77
R26448	6C11	17	70-7	R27175	4E12	31	50-57	R31674	4F3	4	50-74
R26448	6D2	27	70-23	R27175	4E14	1	50-59	R31674	4F4	4	50-75
R26448	6D4	19	70-25	R27218	4E7	21	50-52	R31890	7F22	15	90-43
R26448	6D8	23	70-29	R27218	4E8	21	50-53	R32011	3G6	8	40-99
R26448	6D10	26	70-31	R27218	4E10	20	50-55	R32016	3G6	10	40-99
R26448	6E7	4	70-53	R27218	4F3	8	50-74	R32017	3G6	11	40-99
R26448	6E10	27	70-57	R27218	4F4	8	50-75	R32018	3G6	12	40-99
R26448	6E14	22	70-61	R27218	5C10	10	60-7	R32019	3G6	13	40-99
R26448	6E17	22	70-65	R27218	6G8	13	70-105	R32021	3G6	14	40-99
R26448	6E23	3	70-71	R27218	6G11	6	70-109	R32022	3G6	15	40-99
R26448	6F2	3	70-75	R27218	6G13	6	70-111	R32023	3G6	16	40-99
R26448	6F4	20	70-77	R27218	6G19	22	70-117	R32024	3G16	3	40-109
R26448	6F8	7	70-81	R27441	7G23	18	90-69	R32025	3G16	4	40-109
R26448	6F10	14	70-83	R27443	1E9	9	25-27	R32026	3G4	48	40-97
R26448	6F20	9	70-93	R27443	2D6	9	30-24	R32026	3G6	17	40-99
R26448	6G6	9	70-103	R27474	9C7	9	121-5	R32027	3G6	18	40-99
R26448	6G8	10	70-105	R27564	6E8	14	70-54	R32027	3G15	1	40-108
R26448	6G11	2	70-109	R27564	9D4	42	121-27	R32028	3G6	19	40-99
R26448	6G11	10	70-109	R27796	4D10	7	50-31	R32029	3G6	20	40-99
R26448	6G13	2	70-111	R27796	4D12	8	50-33	R32176	3F18	11	40-87
R26448	6G13	10	70-111	R27928	6D16	6	70-37	R32214	4E17	13	50-63
R26448	6G19	23	70-117	R27928	6G15	7	70-113	R32214	4F2	4	50-73
R26448	6G22	16	70-121	R27928	10E24	6	160-3	R32239	6C7	12	70-3
R26448	10E23	8	160-2	R28583	1F8	9	25-51	R32511	1G2	8	25-71
R26501	5D6	30	60-27	R28583	2E3	3	30-47	R32511	1G4	12	25-73
R26501	7G19	11	90-65	R28583	2G10	7	32-9	R33058	8D22	8	110-45
R26501	7H4	30	90-75	R28583	2G12	7	32-11	R33079	8D22	3	110-45
R26524	5D6	32	60-27	R28776	6D16	1	70-37	R33088	8D22	5	110-45
R26524	7H4	32	90-75	R28776	6G8	4	70-105	R33138	4D4	12	50-24
R26559	1E9	4	25-27	R28776	10E24	1	160-3	R33138	6G8	1	70-105
R26559	2D6	4	30-24	R28782	3E12	23	40-57	R33259	7H12	2	90-83
R26622	1D12	6	25-5	R28782	4E4	36	50-49	R33259	7H14	19	90-85
R26622	1D14	6	25-7	R28782	4E14	10	50-59	R33521	6G8	33	70-105
R26622	1E23	18	25-41	R28782	4E21	10	50-67	R34337	3D11	8	40-31
R26650	4E17	15	50-63	R28782	4F3	9	50-74	R34337	3D13	14	40-33
R26650	4E19	5	50-65	R28782	4F4	9	50-75	R34404	4E7	17	50-52
R26748	1E9	12	25-27	R28782	4G14	17	50-111	R34404	4E8	17	50-53
R26748	2D6	12	30-24	R28782	4G16	17	50-113	R34802	6G15	15	70-113
R26906	1E25	4	25-43	R28782	6C13	9	70-9	R35352	4D16	6	50-37
R26906	1F4	2	25-47	R28782	6E10	20	70-57	R35352	4D18	6	50-39
R26906	4E5	2	50-50	R28782	6E12	19	70-59	R35542	9E22	6	121-69
R26906	4E14	2	50-59	R28782	6F20	6	70-93	R35542	9E24	4	121-71
R26906	6C9	13	70-5	R28782	6G8	14	70-105	R35542	10E10	3	130-57
R26906	6C15	9	70-11	R28782	6H6	4	70-129	R35643	8D22	17	110-45
R26906	6C19	8	70-15	R28811	1E3	3	25-21	R35794	5D2	16	60-23
R26906	6C25	5	70-21	R28811	2D1	3	30-19	R36119	1B25	17	20-3
R26906	6D16	14	70-37	R29936	4G8	27	50-105	R36728	6G17	8	70-115
R26906	6D24	1	70-45	R29936	4G8	28	50-105	R375R	6E3	4	70-48
R26906	6E5	14	70-51	R29936	4G8	33	50-105	R375R	6G20	3	70-118
R26906	6E8	17	70-54	R29936	4G10	21	50-107	R38131	9D10	36	121-33
R26906	6E14	16	70-61	R29936	4G12	14	50-109	R39081	8D22	16	110-45
R26906	6E15	16	70-62	R29936	4G16	35	50-113	R39112	4E25	13	50-71
R26906	6E17	16	70-65	R29936	4H7	9	50-128	R39112	5C10	12	60-7
R26906	6E21	16	70-69	R29936	5D2	12	60-23	R39112	6G11	8	70-109
R26906	6G6	2	70-103	R29936	6C25	2	70-21	R39112	6G19	21	70-117
R26906	6G8	17	70-105	R29936	6D24	15	70-45	R39305	1E25	1	25-43
R26906	6G22	7	70-121	R29936	6E5	15	70-51	R394R	4D6	7	50-27
R26906	8D22	30	110-45	R29936	6E5	24	70-51	R39503	1F11	9	25-55
R26906	9C7	8	121-5	R29936	9H12	5	125-51	R39503	2D23	9	30-41
R26906	9H14	11	125-53	R29936	9H14	13	125-53	R39554	5D4	3	60-25
R26906	9H16	18	125-55	R30378	3G4	43	40-97	R39554	5D4	8	60-25
R26906	9H18	10	125-57	R30399	5E2	15	60-49	R39554	7H2	3	90-73

1L13

9500 AND SIDEHILL 9500 MAXIMIZER™ COMBINES

NUMERICAL INDEX - CONTINUED

PART NO.	GRID	KEY	PAGE	PART NO.	GRID	KEY	PAGE	PART NO.	GRID	KEY	PAGE
R39554	7H2	8	90-73	R45186	4F5	2	50-76	R49866	1G17	15	25-87
R39741	1D12	4	25-5	R45186	5C4	2	60-1	R49866	2D7	5	30-25
R39741	1D14	4	25-7	R45186	6G9	2	70-106	R49866	2F14	16	30-83
R39741	2C12	4	30-5	R45187	4F5	3	50-76	R500055	2D13	9	30-31
R39825	2G14	21	32-13	R45187	5C4	3	60-1	R501414	1E3	4	25-21
R39825	2G16	18	32-15	R45187	6G9	3	70-106	R501414	2D1	4	30-19
R39832	1G4	19	25-73	R45440	1G20	7	25-90	R50354	1E4	7	25-22
R39876	4E21	2	50-67	R45440	1G24	6	25-95	R50354	1E5	7	25-23
R40236	1E20	1	25-38	R45440	1G24	8	25-95	R50386	1E20	10	25-38
R40236	1E21	1	25-39	R45638	4F5	4	50-76	R50386	1E21	9	25-39
R41285	2D15	7	30-33	R45638	5C4	4	60-1	R50390	1E4	4	25-22
R41934	1D24	1	25-17	R45638	6G9	4	70-106	R50390	1E5	4	25-23
R41934	1D25	1	25-18	R45847	7I2	5	90-99	R50390	1G17	23	25-87
R41934	2C23	1	30-16	R459R	6G15	27	70-113	R50393	1E4	3	25-22
R42009	5C22	6	60-19	R46414	1G24	12	25-95	R50393	1E5	3	25-23
R42340	1D12	9	25-5	R46414	7D10	4	80-37	R50405	1G17	4	25-87
R42340	1D14	9	25-7	R46414	7H8	7	90-79	R50405	2F14	3	30-83
R42340	2C12	7	30-5	R46479	1F5	13	25-48	R50417	1G17	39	25-87
R42365	1D12	17	25-5	R46479	1F6	12	25-49	R50419	1F3	5	25-46
R42365	1D14	17	25-7	R46479	1G17	16	25-87	R50419	1G17	41	25-87
R42365	2C12	14	30-5	R46479	2D19	13	30-37	R50423	1F3	9	25-46
R42693	1G17	12	25-87	R46479	2F14	17	30-83	R50424	1F3	8	25-46
R42729	1C10	2	20-14	R46701	4F5	5	50-76	R50424	1G17	40	25-87
R42729	1E15	10	25-33	R46701	5C4	5	60-1	R50456	7E8	10	90-5
R42729	1E19	5	25-37	R46701	6G9	5	70-106	R50456	7I2	19	90-99
R42729	1F25	10	25-69	R47074	1E2	1	25-20	R50642	10D6	19	130-29
R42729	1G2	7	25-71	R47074	2C25	1	30-18	R50770	9D20	12	121-43
R42729	1G4	11	25-73	R47153	1F2	4	25-45	R50875	10D18	20	130-41
R42729	2E5	15	30-49	R47153	1F3	10	25-46	R50891	1G23	13	25-94
R42729	2E11	15	30-55	R47153	1F5	17	25-48	R50891	1H1	2	25-97
R42729	2E17	16	30-61	R47153	1F6	16	25-49	R50892	1H1	3	25-97
R42729	9F15	5	125-5	R47153	1G17	19	25-87	R50893	1H1	12	25-97
R42926	4F5	1	50-76	R47160	1F8	10	25-51	R50894	1H2	11	25-98
R42926	5C4	1	60-1	R47160	2E3	1	30-47	R50897	1H1	10	25-97
R42926	6G9	1	70-106	R47160	2G10	6	32-9	R50899	1G25	11	25-96
R43305	9C5	6	121-3	R47160	2G12	6	32-11	R50899	1H2	20	25-98
R43369	1E3	1	25-21	R47449	6G8	26	70-105	R50900	1H1	1	25-97
R43383	8I6	16	120-61	R47460	3F2	5	40-71	R50901	1G22	4	25-93
R43383	8I14	21	120-69	R47693	1C14	5	20-19	R50901	1H1	20	25-97
R43416	1F11	15	25-55	R47693	2D24	4	30-42	R50901	2F18	4	30-87
R43416	1G17	6	25-87	R47998	5D4	37	60-25	R50902	1G22	2	25-93
R43548	1E23	21	25-41	R47998	7H2	37	90-73	R50902	1H1	5	25-97
R43621	1D12	15	25-5	R48693	1F17	37	25-61	R50902	2F18	2	30-87
R43621	1D14	15	25-7	R48693	1G4	4	25-73	R50903	1H1	6	25-97
R43621	2C12	12	30-5	R48693	2E5	7	30-49	R50905	1H1	23	25-97
R43660	1E23	1	25-41	R48693	2E11	7	30-55	R50906	1H1	18	25-97
R43660	2D13	12	30-31	R48693	2E13	7	30-57	R50907	1G25	5	25-96
R43774	1E23	20	25-41	R48693	2E15	7	30-59	R50909	1G25	12	25-96
R43774	1G17	29	25-87	R48693	2E19	7	30-63	R50910	1H2	21	25-98
R44302	1G20	9	25-90	R48693	2E21	7	30-65	R50912	1G23	8	25-94
R44302	1G24	7	25-95	R48887	3F2	10	40-71	R50913	1G25	2	25-96
R44302	2F16	9	30-85	R48887	3G2	17	40-95	R50914	1G25	7	25-96
R44302	2F19	7	30-88	R49377	1F15	1	25-59	R50915	1G25	8	25-96
R44302	3C16	..	40-11	R49377	1G17	34	25-87	R50916	1G25	3	25-96
R44302	3E12	11	40-57	R49377	2D17	1	30-35	R50917	1G25	10	25-96
R44302	3E14	34	40-59	R49377	2F14	32	30-83	R50918	1G25	14	25-96
R44302	3G21	5	40-114	R49464	1E20	4	25-38	R50919	1G25	15	25-96
R44302	6D12	12	70-33	R49464	1E21	4	25-39	R50920	1G25	9	25-96
R44302	6D20	20	70-41	R49464	1E23	10	25-41	R50921	1G25	18	25-96
R44302	6D22	13	70-43	R49465	1E20	8	25-38	R50922	1G25	16	25-96
R44302	8J2	9	120-81	R49465	1E23	14	25-41	R50923	1G23	1	25-94
R44302	8J4	8	120-83	R495R	4D6	17	50-27	R50924	1G23	2	25-94
R44302	10D22	6	130-45	R495R	8C15	3	110-13	R50925	1G23	3	25-94
R44342	5D4	38	60-25	R49672	1G14	18	25-83	R50927	1G23	14	25-94
R44342	7H2	38	90-73	R49856	7H14	..	90-85	R50928	1G23	17	25-94
R45182	4F3	3	50-74	R49856	7H17	..	90-88	R50929	1G23	15	25-94
R45182	4F4	3	50-75	R49866	1E12	5	25-30	R50930	1G23	12	25-94

NUMERICAL INDEX - CONTINUED

PART NO.	GRID	KEY	PAGE	PART NO.	GRID	KEY	PAGE	PART NO.	GRID	KEY	PAGE
R50931	1G23	9	25-94	R53201	1D16	1	25-9	R55395	1D12	7	25-5
R50931	1G25	20	25-96	R53292	1D23	5	25-16	R55395	1D14	7	25-7
R51031	4E4	33	50-49	R53292	2C22	5	30-15	R55395	1E23	19	25-41
R51031	4E14	17	50-59	R53543	4E4	30	50-49	R55396	1D12	2	25-5
R51031	4E21	11	50-67	R53665	7F22	21	90-43	R55396	1D14	2	25-7
R51031	4F3	10	50-74	R53665	7G23	17	90-69	R55396	1F25	9	25-69
R51031	4F4	10	50-75	R53884	1G8	3	25-77	R55396	1G2	6	25-71
R51053	1F3	11	25-46	R53884	1G15	3	25-85	R55396	1G4	10	25-73
R51283	1F3	4	25-46	R53884	2E22	3	30-66	R55396	1G19	1	25-89
R51603	1G10	2	25-79	R53884	2E24	3	30-68	R55396	1G20	2	25-90
R51603	2F3	2	30-72	R53899	1G8	7	25-77	R55396	2C12	2	30-5
R51603	2F14	14	30-83	R53899	1G14	6	25-83	R55396	2E5	14	30-49
R51659	1G23	7	25-94	R53899	1G15	7	25-85	R55396	2E11	14	30-55
R51660	1G23	5	25-94	R53899	1G17	31	25-87	R55396	2E13	14	30-57
R51661	1H1	22	25-97	R53899	2E5	..	30-49	R55396	2E15	14	30-59
R51662	1H2	17	25-98	R53899	2E11	..	30-55	R55396	2E17	15	30-61
R51664	1G25	19	25-96	R53899	2E13	..	30-57	R55396	2E19	14	30-63
R51665	1H1	16	25-97	R53899	2E15	..	30-59	R55396	2E21	14	30-65
R51666	1H1	15	25-97	R53899	2E19	..	30-63	R55396	2F16	2	30-85
R51667	1H1	8	25-97	R53899	2E21	..	30-65	R55396	2F20	1	30-89
R51669	1H2	14	25-98	R53899	2E22	7	30-66	R55408	1B25	32	20-3
R51671	1H2	5	25-98	R53899	2E24	9	30-68	R56722	9E4	27	121-51
R51936	1F5	7	25-48	R53899	2F14	27	30-83	R56782	6G8	6	70-105
R51936	1F6	7	25-49	R53901	1F25	2	25-69	R56792	1H2	2	25-98
R51936	1F17	25	25-61	R53901	1G2	2	25-71	R56793	1H2	3	25-98
R51936	1F17	30	25-61	R53901	1G8	9	25-77	R56802	1G25	13	25-96
R51936	1F17	32	25-61	R53901	1G14	6	25-83	R56930	6F12	17	70-85
R51936	1F19	25	25-63	R53901	1G15	9	25-85	R56930	6F14	19	70-87
R51936	1F21	25	25-65	R53901	1G17	31	25-87	R56930	6F16	21	70-89
R51936	1F21	30	25-65	R53901	2E17	29	30-61	R56930	6F20	5	70-93
R51936	1F21	32	25-65	R53901	2E22	9	30-66	R57003	9F8	..	121-79
R51936	1F23	25	25-67	R53901	2E24	7	30-68	R57158	1D12	19	25-5
R51936	2E5	2	30-49	R53901	2F14	27	30-83	R57158	1D14	19	25-7
R51936	2E7	21	30-51	R54013	1G5	5	25-74	R57158	2C12	16	30-5
R51936	2E7	26	30-51	R54013	1G9	5	25-78	R57159	1D12	19	25-5
R51936	2E9	21	30-53	R54015	1G5	8	25-74	R57159	1D14	19	25-7
R51936	2E9	26	30-53	R54015	1G9	8	25-78	R57159	2C12	16	30-5
R51936	2E11	2	30-55	R54021	1G5	12	25-74	R57269	4E17	7	50-63
R51936	2E13	2	30-57	R54021	1G9	12	25-78	R57583	1D23	7	25-16
R51936	2E15	2	30-59	R54022	1G5	4	25-74	R57583	2C22	7	30-15
R51936	2E15	26	30-59	R54022	1G9	4	25-78	R57584	1E1	3	25-19
R51936	2E17	3	30-61	R54023	1G5	3	25-74	R57584	2C24	3	30-17
R51936	2E19	2	30-63	R54023	1G9	3	25-78	R57696	1E15	4	25-33
R51936	2E21	2	30-65	R54024	1G5	14	25-74	R57696	1E17	5	25-35
R51936	2E21	26	30-65	R54024	1G9	14	25-78	R57696	1F5	18	25-48
R51937	1F17	20	25-61	R54025	1G5	2	25-74	R57696	1F6	18	25-49
R51937	1F19	20	25-63	R54025	1G9	2	25-78	R57696	2D11	5	30-29
R51937	1F21	20	25-65	R54025	2E25	2	30-69	R57696	2D19	19	30-37
R51937	1F23	20	25-67	R54025	2F2	2	30-71	R57725	1C10	1	20-14
R51937	2E7	19	30-51	R54123	1C14	4	20-19	R57771	1D22	1	25-15
R51937	2E7	32	30-51	R54123	2D24	7	30-42	R57771	1D23	2	25-16
R51937	2E9	19	30-53	R54380	4D16	8	50-37	R57771	2C20	1	30-13
R51937	2E9	32	30-53	R54380	4D18	8	50-39	R57771	2C22	2	30-15
R52015	4D19	3	50-40	R54445	3D15	6	40-35	R58109	1F14	2	25-58
R52015	4D20	3	50-41	R54445	3D15	18	40-35	R58109	2E2	2	30-45
R52049	1E15	18	25-33	R54447	3D15	3	40-35	R58186	1F17	5	25-61
R52049	1G17	32	25-87	R54510	1C14	2	20-19	R58186	1F17	10	25-61
R52387	1H1	11	25-97	R54510	2D24	2	30-42	R58186	1F19	6	25-63
R53014	2C12	21	30-5	R54511	1C14	3	20-19	R58186	1F19	10	25-63
R53014	3E12	15	40-57	R54511	2D24	3	30-42	R58186	1F21	5	25-65
R53108	1G17	38	25-87	R54565	1E9	1	25-27	R58186	1F21	10	25-65
R53108	1G19	6	25-89	R54565	2D6	1	30-24	R58186	1F23	6	25-67
R53108	1G20	1	25-90	R54856	2F21	6	30-90	R58186	1F23	10	25-67
R53108	2F14	36	30-83	R55182	1E11	22	25-29	R58186	2E7	5	30-51
R53108	2F16	1	30-85	R55182	1G17	17	25-87	R58186	2E7	9	30-51
R53108	2F20	6	30-89	R55233	1E23	6	25-41	R58186	2E9	5	30-53
R53169	9C15	14	121-13	R55326	8I2	13	120-57	R58186	2E9	9	30-53

1L15

9500 AND SIDEHILL 9500 MAXIMIZER™ COMBINES

NUMERICAL INDEX - CONTINUED

PART NO.	GRID	KEY	PAGE	PART NO.	GRID	KEY	PAGE	PART NO.	GRID	KEY	PAGE
R58806	7F11	3	90 - 32	R60279	1G10	3	25 - 79	R62502	8F8	14	110 - 81
R58816	7G23	6	90 - 69	R60279	2F3	3	30 - 72	R62930	1D12	16	25 - 5
R59009	7F22	11	90 - 43	R60458	7F22	9	90 - 43	R62930	1D14	16	25 - 7
R59010	7F22	13	90 - 43	R60472	1E1	3	25 - 19	R62930	1E15	1	25 - 33
R59011	7F22	16	90 - 43	R60472	2C24	3	30 - 17	R62930	1E17	1	25 - 35
R59012	7F22	12	90 - 43	R60473	1E1	3	25 - 19	R62930	2C12	13	30 - 5
R59013	7G23	14	90 - 69	R60473	2C24	3	30 - 17	R62930	2D11	1	30 - 29
R59015	7F22	5	90 - 43	R60474	1E1	3	25 - 19	R62938	1E15	7	25 - 33
R59015	7G23	12	90 - 69	R60474	2C24	3	30 - 17	R62938	1E17	2	25 - 35
R59018	7F22	14	90 - 43	R60475	1E1	3	25 - 19	R62938	2D11	2	30 - 29
R59019	7F22	2	90 - 43	R60475	2C24	3	30 - 17	R62946	1E17	12	25 - 35
R59020	7G23	10	90 - 69	R60485	1D23	7	25 - 16	R62952	1E17	16	25 - 35
R59021	7G23	7	90 - 69	R60485	2C22	7	30 - 15	R62952	1E20	11	25 - 38
R59022	7G23	13	90 - 69	R60486	1D23	7	25 - 16	R62952	1E21	10	25 - 39
R59023	7G23	8	90 - 69	R60486	2C22	7	30 - 15	R62986	1E1	1	25 - 19
R59028	7G23	2	90 - 69	R60487	1D23	7	25 - 16	R62986	2C24	1	30 - 17
R59029	7G23	4	90 - 69	R60487	2C22	7	30 - 15	R62987	1E1	2	25 - 19
R59070	7G23	1	90 - 69	R60488	1D23	7	25 - 16	R62987	2C24	2	30 - 17
R59297	1F17	8	25 - 61	R60488	2C22	7	30 - 15	R62988	1E1	2	25 - 19
R59297	1F17	9	25 - 61	R60730	5C12	15	60 - 9	R62988	2C24	2	30 - 17
R59297	1F17	11	25 - 61	R60730	7E24	21	90 - 21	R63002	1E1	2	25 - 19
R59297	1F19	8	25 - 63	R60730	7F2	8	90 - 23	R63002	2C24	2	30 - 17
R59297	1F19	11	25 - 63	R61144	1F17	5	25 - 61	R63003	1E1	2	25 - 19
R59297	1F21	8	25 - 65	R61144	1F17	10	25 - 61	R63003	2C24	2	30 - 17
R59297	1F21	9	25 - 65	R61144	1F19	6	25 - 63	R63004	1E1	2	25 - 19
R59297	1F21	11	25 - 65	R61144	1F19	10	25 - 63	R63004	2C24	2	30 - 17
R59297	1F23	8	25 - 67	R61144	1F21	5	25 - 65	R63005	1E1	2	25 - 19
R59297	1F23	11	25 - 67	R61144	1F21	10	25 - 65	R63005	2C24	2	30 - 17
R59297	2E7	8	30 - 51	R61144	1F23	6	25 - 67	R63006	1E1	2	25 - 19
R59297	2E7	10	30 - 51	R61144	1F23	10	25 - 67	R63006	2C24	2	30 - 17
R59297	2E9	8	30 - 53	R61144	2E7	5	30 - 51	R63007	1E1	2	25 - 19
R59297	2E9	10	30 - 53	R61144	2E7	9	30 - 51	R63007	2C24	2	30 - 17
R59298	1F17	8	25 - 61	R61144	2E9	5	30 - 53	R63008	1E1	2	25 - 19
R59298	1F17	9	25 - 61	R61144	2E9	9	30 - 53	R63008	2C24	2	30 - 17
R59298	1F17	11	25 - 61	R61145	1F17	8	25 - 61	R63009	1E1	2	25 - 19
R59298	1F19	8	25 - 63	R61145	1F17	9	25 - 61	R63009	2C24	2	30 - 17
R59298	1F19	9	25 - 63	R61145	1F19	9	25 - 63	R63010	1E1	1	25 - 19
R59298	1F21	8	25 - 65	R61145	1F21	8	25 - 65	R63010	2C24	1	30 - 17
R59298	1F21	9	25 - 65	R61145	1F21	9	25 - 65	R63016	1G8	10	25 - 77
R59298	1F21	11	25 - 65	R61145	1F23	9	25 - 67	R63016	1G15	10	25 - 85
R59298	1F23	8	25 - 67	R61145	2E7	8	30 - 51	R63016	2E22	10	30 - 66
R59298	1F23	9	25 - 67	R61145	2E9	8	30 - 53	R63016	2E24	10	30 - 68
R59298	2E7	8	30 - 51	R61288	1D12	22	25 - 5	R63308	4E2	30	50 - 47
R59298	2E7	10	30 - 51	R61288	1D14	22	25 - 7	R63308	4G24	2	50 - 121
R59298	2E9	8	30 - 53	R61288	2C12	19	30 - 5	R63308	4H2	2	50 - 123
R59298	2E9	10	30 - 53	R61289	1E1	3	25 - 19	R63326	1D24	2	25 - 17
R59305	1F17	5	25 - 61	R61289	2C24	3	30 - 17	R63326	1D25	2	25 - 18
R59305	1F17	10	25 - 61	R61497	1E13	1	25 - 31	R63326	2C23	2	30 - 16
R59305	1F19	6	25 - 63	R61497	2D8	1	30 - 26	R63451	1D18	1	25 - 11
R59305	1F19	10	25 - 63	R61608	1E1	3	25 - 19	R63451	1D25	4	25 - 18
R59305	1F21	5	25 - 65	R61608	2C24	3	30 - 17	R63451	1D25	5	25 - 18
R59305	1F21	10	25 - 65	R61609	1E1	3	25 - 19	R63451	1D25	6	25 - 18
R59305	1F23	6	25 - 67	R61609	2C24	3	30 - 17	R63451	1G18	2	25 - 88
R59305	1F23	10	25 - 67	R61610	1E1	3	25 - 19	R63604	1F5	6	25 - 48
R59305	2E7	5	30 - 51	R61610	2C24	3	30 - 17	R63604	1F6	6	25 - 49
R59305	2E7	9	30 - 51	R61611	1E1	3	25 - 19	R63604	1F21	38	25 - 65
R59305	2E9	5	30 - 53	R61611	2C24	3	30 - 17	R63604	2E15	27	30 - 59
R59305	2E9	9	30 - 53	R61862	7G23	9	90 - 69	R63604	2E21	27	30 - 65
R60170	7H12	19	90 - 83	R62192	9D24	21	121 - 47	R63666	3D11	13	40 - 31
R60172	7H12	18	90 - 83	R62239	1F11	5	25 - 55	R63666	3D13	30	40 - 33
R60239	4E25	4	50 - 71	R62356	7C8	16	80 - 11	R63667	3D11	14	40 - 31
R60272	1G10	5	25 - 79	R62418	1E11	7	25 - 29	R63667	3D13	29	40 - 33
R60272	2F3	5	30 - 72	R62419	1E11	6	25 - 29	R63668	3D11	15	40 - 31
R60277	1G10	1	25 - 79	R62419	1E11	8	25 - 29	R63668	3D13	28	40 - 33
R60277	2F3	1	30 - 72	R62420	1E11	5	25 - 29	R63669	3D11	16	40 - 31
R60278	1G10	4	25 - 79	R62420	1E11	8	25 - 29	R63669	3D13	27	40 - 33
R60278	2F3	4	30 - 72	R62502	8D20	34	110 - 43	R63670	3D11	34	40 - 31

1L16

9500 AND SIDEHILL 9500 MAXIMIZER™ COMBINES

NUMERICAL INDEX - CONTINUED

PART NO.	GRID	KEY	PAGE	PART NO.	GRID	KEY	PAGE	PART NO.	GRID	KEY	PAGE
R63670	3D13	22	40 - 33	R66117	1G24	9	25 - 95	R68038	1G12	4	25 - 81
R63845	1F14	6	25 - 58	R66197	8D22	1	110 - 45	R68038	2F6	4	30 - 75
R63845	1F25	7	25 - 69	R66319	3G6	1	40 - 99	R68038	2F8	4	30 - 77
R63845	1G2	4	25 - 71	R66320	3G2	24	40 - 95	R68039	1G12	4	25 - 81
R63845	1G4	8	25 - 73	R66320	3G6	5	40 - 99	R68039	2F6	4	30 - 75
R63845	2E2	6	30 - 45	R66321	3G2	24	40 - 95	R68039	2F8	4	30 - 77
R63845	2E5	12	30 - 49	R66321	3G6	4	40 - 99	R68040	1G12	4	25 - 81
R63845	2E11	12	30 - 55	R66452	1D22	1	25 - 15	R68040	2F6	4	30 - 75
R63845	2E13	12	30 - 57	R66452	1D23	4	25 - 16	R68040	2F8	4	30 - 77
R63845	2E15	12	30 - 59	R66452	2C20	1	30 - 13	R68041	1G12	4	25 - 81
R63845	2E17	13	30 - 61	R66452	2C22	4	30 - 15	R68041	2F6	4	30 - 75
R63845	2E19	12	30 - 63	R66626	8D14	7	110 - 37	R68041	2F8	4	30 - 77
R63845	2E21	12	30 - 65	R66651	8E17	9	110 - 65	R68042	1G12	4	25 - 81
R63980	6G8	5	70 - 105	R66718	7C8	16	80 - 11	R68042	2F6	4	30 - 75
R64056	3D15	13	40 - 35	R67092	1G14	4	25 - 83	R68042	2F8	4	30 - 77
R64058	3D15	16	40 - 35	R67092	1G14	19	25 - 83	R68043	1G12	4	25 - 81
R64059	3D15	12	40 - 35	R67092	2F10	5	30 - 79	R68043	2F6	4	30 - 75
R64060	3D15	10	40 - 35	R67092	2F12	5	30 - 81	R68043	2F8	4	30 - 77
R64061	3D15	4	40 - 35	R67230	1H3	6	25 - 99	R68044	1G12	4	25 - 81
R64698	4F5	10	50 - 76	R67230	3E10	9	40 - 55	R68044	2F6	4	30 - 75
R64698	5C4	10	60 - 1	R67264	1F25	13	25 - 69	R68044	2F8	4	30 - 77
R64698	6G9	10	70 - 106	R67264	1G2	11	25 - 71	R68045	1G12	4	25 - 81
R64853	1G6	17	25 - 75	R67264	1G4	14	25 - 73	R68045	2F6	4	30 - 75
R64854	1G6	2	25 - 75	R67264	2E5	20	30 - 49	R68045	2F8	4	30 - 77
R64854	2F1	2	30 - 70	R67264	2E11	20	30 - 55	R68046	1G12	4	25 - 81
R64855	1G6	3	25 - 75	R67264	2E13	20	30 - 57	R68046	2F6	4	30 - 75
R64856	1G6	4	25 - 75	R67264	2E15	20	30 - 59	R68046	2F8	4	30 - 77
R64857	1G7	2	25 - 76	R67264	2E17	20	30 - 61	R68047	1G12	4	25 - 81
R64857	2E23	2	30 - 67	R67264	2E19	20	30 - 63	R68047	2F6	4	30 - 75
R64860	1G6	7	25 - 75	R67264	2E21	20	30 - 65	R68047	2F8	4	30 - 77
R64861	1G5	7	25 - 74	R67362	1H4	3	25 - 100	R68048	1G12	4	25 - 81
R64861	1G6	8	25 - 75	R67363	7D20	18	80 - 47	R68048	2F6	4	30 - 75
R64861	1G9	7	25 - 78	R67364	1F5	9	25 - 48	R68048	2F8	4	30 - 77
R64871	1G6	15	25 - 75	R67364	1F6	9	25 - 49	R68049	1G12	4	25 - 81
R64926	1G7	8	25 - 76	R67364	1F17	36	25 - 61	R68049	2F6	4	30 - 75
R64927	1G6	16	25 - 75	R67364	1F21	35	25 - 65	R68049	2F8	4	30 - 77
R64927	1G7	10	25 - 76	R67364	1F21	40	25 - 65	R68050	1G12	4	25 - 81
R64927	2F1	6	30 - 70	R67364	1G8	11	25 - 77	R68050	2F6	4	30 - 75
R65055	1E20	3	25 - 38	R67364	1G15	11	25 - 85	R68050	2F8	4	30 - 77
R65055	1E21	3	25 - 39	R67364	2E5	9	30 - 49	R68051	1G12	4	25 - 81
R65055	1G17	36	25 - 87	R67364	2E11	9	30 - 55	R68051	2F6	4	30 - 75
R65286	4E10	24	50 - 55	R67364	2E13	9	30 - 57	R68051	2F8	4	30 - 77
R65553	1E9	3	25 - 27	R67364	2E15	9	30 - 59	R68052	1G12	4	25 - 81
R65553	2D6	3	30 - 24	R67364	2E17	8	30 - 61	R68052	2F6	4	30 - 75
R65569	7F18	2	90 - 39	R67364	2E19	9	30 - 63	R68052	2F8	4	30 - 77
R65569	8D24	2	110 - 47	R67364	2E21	9	30 - 65	R68053	1G12	5	25 - 81
R65593	3G6	2	40 - 99	R67364	2E22	11	30 - 66	R68053	2F6	5	30 - 75
R65594	3G6	9	40 - 99	R67364	2E24	11	30 - 68	R68053	2F8	5	30 - 77
R65595	3G6	21	40 - 99	R67377	3E22	10	40 - 67	R68102	4E19	4	50 - 65
R65596	3G6	22	40 - 99	R67380	1G2	3	25 - 71	R68222	1H2	8	25 - 98
R65597	3G6	23	40 - 99	R67879	1G5	11	25 - 74	R68224	1H2	1	25 - 98
R65598	3G6	24	40 - 99	R67879	1G8	6	25 - 77	R68824	9C11	11	121 - 9
R65599	3G6	25	40 - 99	R67879	1G9	11	25 - 78	R69089	1G12	2	25 - 81
R65600	3G6	26	40 - 99	R67879	1G15	6	25 - 85	R69089	2F6	2	30 - 75
R65601	3G6	27	40 - 99	R67879	2E22	6	30 - 66	R69089	2F8	2	30 - 77
R65602	3G4	49	40 - 97	R67879	2E24	6	30 - 68	R69536	4E21	8	50 - 67
R65602	3G6	28	40 - 99	R67879	2E25	5	30 - 69	R69536	4E25	6	50 - 71
R65603	3G6	29	40 - 99	R67879	2F2	5	30 - 71	R69536	4E25	16	50 - 71
R65604	3G6	30	40 - 99	R68035	1G12	1	25 - 81	R69927	4E23	1	50 - 69
R65605	3G6	31	40 - 99	R68035	2F6	1	30 - 75	R69936	1F14	3	25 - 58
R65606	3G6	32	40 - 99	R68035	2F8	1	30 - 77	R69936	2E2	3	30 - 45
R65607	3G4	46	40 - 97	R68036	1G12	4	25 - 81	R70112	4D10	15	50 - 31
R65607	3G6	33	40 - 99	R68036	2F6	4	30 - 75	R70112	4D12	16	50 - 33
R65608	3G6	3	40 - 99	R68036	2F8	4	30 - 77	R70113	4D10	17	50 - 31
R65609	3G6	6	40 - 99	R68037	1G12	4	25 - 81	R70113	4D12	18	50 - 33
R65610	3G6	7	40 - 99	R68037	2F6	4	30 - 75	R70114	4D10	18	50 - 31
R65828	6G17	12	70 - 115	R68037	2F8	4	30 - 77	R70114	4D12	19	50 - 33

NUMERICAL INDEX - CONTINUED

PART NO.	GRID	KEY	PAGE	PART NO.	GRID	KEY	PAGE	PART NO.	GRID	KEY	PAGE
R70115	4D10	19	50 - 31	R71398	2E7	9	30 - 51	R73913	1E23	3	25 - 41
R70115	4D12	20	50 - 33	R71398	2E9	8	30 - 53	R74008	1D22	1	25 - 15
R70135	1G5	1	25 - 74	R71398	2E9	9	30 - 53	R74008	1D23	3	25 - 16
R70135	1G9	1	25 - 78	R71583	1D12	10	25 - 5	R74008	2C20	1	30 - 13
R70210	3G4	40	40 - 97	R71583	1E25	6	25 - 43	R74008	2C22	3	30 - 15
R70210	3G4	41	40 - 97	R71596	1E25	9	25 - 43	R74030	1F17	10	25 - 61
R70211	3G4	40	40 - 97	R71596	1F2	2	25 - 45	R74030	1F19	10	25 - 63
R70211	3G4	41	40 - 97	R71711	4E19	7	50 - 65	R74030	1F21	10	25 - 65
R70212	3G4	40	40 - 97	R71732	1E15	12	25 - 33	R74030	1F23	10	25 - 67
R70212	3G4	41	40 - 97	R71732	1E17	10	25 - 35	R74030	2E7	9	30 - 51
R70213	3G4	40	40 - 97	R71732	1E17	15	25 - 35	R74030	2E9	9	30 - 53
R70214	3G4	40	40 - 97	R71732	1E19	7	25 - 37	R74689	4E20	4	50 - 66
R70214	3G4	41	40 - 97	R71732	1E20	9	25 - 38	R74690	4E20	2	50 - 66
R70215	3G4	40	40 - 97	R71732	1E21	8	25 - 39	R74693	4E20	6	50 - 66
R70216	3G4	40	40 - 97	R71732	1G17	35	25 - 87	R74694	4E20	7	50 - 66
R70216	3G4	41	40 - 97	R71756	9D10	10	121 - 33	R74696	4E20	3	50 - 66
R70217	3G4	40	40 - 97	R71758	9D10	6	121 - 33	R74697	4E20	5	50 - 66
R70218	3G4	40	40 - 97	R71918	1G17	33	25 - 87	R74804	1F17	10	25 - 61
R70218	3G4	41	40 - 97	R71918	2F14	31	30 - 83	R74804	1F19	10	25 - 63
R70219	3G4	40	40 - 97	R72032	9C15	9	121 - 13	R74804	1F21	10	25 - 65
R70220	3G4	50	40 - 97	R72328	1G17	11	25 - 87	R74804	1F23	10	25 - 67
R70221	3G4	39	40 - 97	R72328	2D15	3	30 - 33	R74804	2E7	9	30 - 51
R70222	3G4	38	40 - 97	R72328	2D19	22	30 - 37	R74804	2E9	9	30 - 53
R70268	1D12	18	25 - 5	R72328	2F14	12	30 - 83	R75272	1G5	6	25 - 74
R70268	1D14	18	25 - 7	R72659	4G8	9	50 - 105	R75272	1G9	6	25 - 78
R70268	2C12	15	30 - 5	R72659	6F22	9	70 - 95	R76126	1E11	8	25 - 29
R70826	1E9	6	25 - 27	R72659	9H12	8	125 - 51	R76139	1H2	16	25 - 98
R70826	2D6	6	30 - 24	R72853	1F25	1	25 - 69	R76337	3E12	13	40 - 57
R70964	1E25	18	25 - 43	R72853	1G2	1	25 - 71	R76477	1G20	7	25 - 90
R71037	1E25	19	25 - 43	R72853	1G4	25	25 - 73	R76477	1G24	6	25 - 95
R71074	1D23	6	25 - 16	R72853	2D2	12	30 - 20	R76477	1G24	8	25 - 95
R71074	2C22	6	30 - 15	R72853	2D23	11	30 - 41	R76491	1E11	18	25 - 29
R71144	4D4	7	50 - 24	R72853	2E5	27	30 - 49	R76491	2D5	15	30 - 23
R71208	1E9	7	25 - 27	R72853	2E11	27	30 - 55	R76674	9C9	15	121 - 7
R71208	2D6	7	30 - 24	R72853	2E17	10	30 - 61	R76822	1F25	15	25 - 69
R71212	1F17	9	25 - 61	R73102	4E19	2	50 - 65	R76822	1G2	13	25 - 71
R71212	1F19	9	25 - 63	R73102	4E25	2	50 - 71	R76822	1G4	16	25 - 73
R71212	1F21	9	25 - 65	R73189	3F3	3	40 - 72	R76822	1G4	20	25 - 73
R71212	1F23	9	25 - 67	R73189	3F4	3	40 - 73	R76822	2E5	22	30 - 49
R71212	2E7	8	30 - 51	R73189	10F5	1	170 - 2	R76822	2E11	22	30 - 55
R71212	2E9	8	30 - 53	R73271	1E3	4	25 - 21	R76822	2E13	22	30 - 57
R71225	1E25	10	25 - 43	R73271	2D1	4	30 - 19	R76822	2E15	22	30 - 59
R71225	1F2	1	25 - 45	R73290	8C7	14	110 - 5	R76822	2E17	19	30 - 61
R71226	1E25	8	25 - 43	R73290	8C9	27	110 - 7	R76822	2E19	22	30 - 63
R71228	1E25	17	25 - 43	R73384	7F18	13	90 - 39	R76822	2E21	22	30 - 65
R71312	1G17	30	25 - 87	R73384	8D24	13	110 - 47	R76937	9C11	9	121 - 9
R71314	1E4	10	25 - 22	R73498	2G12	10	32 - 11	R77175	4E7	23	50 - 52
R71314	1E5	10	25 - 23	R73817	1G7	4	25 - 76	R77175	4E8	23	50 - 53
R71314	1G17	25	25 - 87	R73820	1G7	6	25 - 76	R77175	4E12	23	50 - 57
R71315	1E25	5	25 - 43	R73821	1G7	5	25 - 76	R77175	6C11	19	70 - 7
R71315	1F2	5	25 - 45	R73858	1F25	17	25 - 69	R77175	6E23	1	70 - 71
R71315	1G17	24	25 - 87	R73858	1G2	15	25 - 71	R77175	6F2	1	70 - 75
R71316	1D25	5	25 - 18	R73858	1G4	18	25 - 73	R77175	6F4	22	70 - 77
R71316	1E4	8	25 - 22	R73858	1G4	21	25 - 73	R77175	6G8	12	70 - 105
R71316	1E7	6	25 - 25	R73858	2E5	18	30 - 49	R77175	6H6	33	70 - 129
R71351	7C8	16	80 - 11	R73858	2E11	18	30 - 55	R77178	6D18	15B	70 - 39
R71361	1F2	10	25 - 45	R73858	2E13	18	30 - 57	R77178	6D20	18B	70 - 41
R71361	1F4	3	25 - 47	R73858	2E15	18	30 - 59	R77178	6D22	9	70 - 43
R71398	1F17	9	25 - 61	R73858	2E17	23	30 - 61	R77206	1G6	9	25 - 75
R71398	1F17	10	25 - 61	R73858	2E19	18	30 - 63	R77389	7H17	15	90 - 88
R71398	1F19	9	25 - 63	R73858	2E21	18	30 - 65	R77390	7H17	14	90 - 88
R71398	1F19	10	25 - 63	R73864	1G7	7	25 - 76	R77391	7H17	8	90 - 88
R71398	1F21	9	25 - 65	R73864	2E23	5	30 - 67	R77392	7H17	9	90 - 88
R71398	1F21	10	25 - 65	R73869	1G6	14	25 - 75	R77393	7H17	10	90 - 88
R71398	1F23	9	25 - 67	R73870	1G6	13	25 - 75	R77394	7H17	12	90 - 88
R71398	1F23	10	25 - 67	R73871	1G6	12	25 - 75	R77396	7H21	7	90 - 93
R71398	2E7	8	30 - 51	R73872	1G6	11	25 - 75	R77397	7H21	2	90 - 93

NUMERICAL INDEX - CONTINUED

PART NO.	GRID	KEY	PAGE	PART NO.	GRID	KEY	PAGE	PART NO.	GRID	KEY	PAGE
R77399	7H21	4	90 - 93	R77484	3G2	19	40 - 95	R78048	3E4	10	40 - 49
R77400	7H17	6	90 - 88	R77485	3G2	21	40 - 95	R78048	3E6	16	40 - 51
R77401	7H17	5	90 - 88	R77486	3G2	22	40 - 95	R78048	3E20	23	40 - 65
R77456	3G2	27	40 - 95	R77487	3G2	23	40 - 95	R78048	3E22	23	40 - 67
R77457	3D19	11	40 - 39	R77488	3G4	51	40 - 97	R78048	3E22	24	40 - 67
R77457	3E2	15	40 - 47	R77489	3G4	51	40 - 97	R78048	3F10	8	40 - 79
R77457	3G2	29	40 - 95	R77489	3G8	3	40 - 101	R78048	3F24	10	40 - 93
R77457	3G10	3	40 - 103	R77489	3G10	5	40 - 103	R78048	3G8	5	40 - 101
R77458	3D23	8	40 - 43	R77490	3G4	51	40 - 97	R78048	3G10	1	40 - 103
R77458	3G2	28	40 - 95	R77491	3G4	54	40 - 97	R78048	3H2	1	40 - 119
R77459	3G2	28	40 - 95	R77491	3G8	2	40 - 101	R78048	6C7	13	70 - 3
R77459	3G18	14	40 - 111	R77492	3G4	54	40 - 97	R78049	3D23	22	40 - 43
R77460	3G2	28	40 - 95	R77493	3G4	51	40 - 97	R78049	3F24	15	40 - 93
R77461	3G2	28	40 - 95	R77493	3G8	1	40 - 101	R78049	3G10	13	40 - 103
R77462	3G2	25	40 - 95	R77494	3G4	55	40 - 97	R78049	3H2	6	40 - 119
R77463	3D19	10	40 - 39	R77494	3G10	4	40 - 103	R78050	3D23	24	40 - 43
R77463	3D19	11	40 - 39	R77495	3G4	52	40 - 97	R78050	3F24	19	40 - 93
R77463	3D21	2	40 - 41	R77496	3G4	52	40 - 97	R78050	3G10	9	40 - 103
R77463	3D21	3	40 - 41	R77497	3G4	53	40 - 97	R78051	3E20	6	40 - 65
R77463	3E2	13	40 - 47	R77498	3G2	24	40 - 95	R78051	3F24	24	40 - 93
R77463	3G2	30	40 - 95	R77499	3G2	24	40 - 95	R78051	3G10	11	40 - 103
R77463	3G10	3	40 - 103	R77500	3G2	24	40 - 95	R78051	3H7	1	40 - 125
R77464	3C8	13	40 - 3	R77501	3G2	24	40 - 95	R78052	3E20	7	40 - 65
R77464	3C8	16	40 - 3	R77502	3G4	56	40 - 97	R78052	3F24	5	40 - 93
R77464	3C8	18	40 - 3	R77503	3G4	56	40 - 97	R78052	3G10	6	40 - 103
R77464	3G2	26	40 - 95	R77536	1G7	3	25 - 76	R78053	3C8	9	40 - 3
R77464	6E23	17	70 - 71	R77551	1F17	18	25 - 61	R78053	3C22	10	40 - 17
R77464	6F2	17	70 - 75	R77551	1F17	19	25 - 61	R78053	3C24	10	40 - 19
R77465	3C18	5	40 - 13	R77551	1F19	18	25 - 63	R78053	3D2	16	40 - 21
R77465	3C18	6	40 - 13	R77551	1F19	19	25 - 63	R78053	3D4	15	40 - 23
R77465	3D19	7	40 - 39	R77551	1F21	18	25 - 65	R78053	3D11	33	40 - 31
R77465	3D19	10	40 - 39	R77551	1F21	19	25 - 65	R78053	3D21	17	40 - 41
R77465	3D19	12	40 - 39	R77551	1F23	18	25 - 67	R78053	3D23	13	40 - 43
R77465	3D21	2	40 - 41	R77551	1F23	19	25 - 67	R78053	3D25	12	40 - 45
R77465	3D21	3	40 - 41	R77551	1G17	14	25 - 87	R78053	3E2	14	40 - 47
R77465	3D23	15	40 - 43	R77551	2E7	17	30 - 51	R78053	3E2	17	40 - 47
R77465	3E2	16	40 - 47	R77551	2E7	18	30 - 51	R78053	3E2	18	40 - 47
R77465	3E8	19	40 - 53	R77551	2E9	17	30 - 53	R78053	3E6	18	40 - 51
R77465	3G2	31	40 - 95	R77551	2E9	18	30 - 53	R78053	3E20	24	40 - 65
R77465	3G10	3	40 - 103	R77551	2F14	15	30 - 83	R78053	3E22	25	40 - 67
R77466	3G2	33	40 - 95	R77673	1F6	14	25 - 49	R78053	3F24	13	40 - 93
R77467	3G2	34	40 - 95	R77673	2D19	16	30 - 37	R78053	3G8	4	40 - 101
R77468	3C8	10	40 - 3	R77673	2D19	21	30 - 37	R78053	3G10	2	40 - 103
R77468	3G2	32	40 - 95	R77764	9C11	8	121 - 9	R78053	3G24	9	40 - 117
R77469	3G4	35	40 - 97	R78025	5E5	8	60 - 52	R78053	3H7	13	40 - 125
R77470	3G4	45	40 - 97	R78025	5E6	12	60 - 54	R78053	4F5	14	50 - 76
R77471	3G4	45	40 - 97	R78025	5E7	12	60 - 55	R78053	5C4	14	60 - 1
R77472	3G4	45	40 - 97	R78026	5E5	6	60 - 52	R78053	6D16	16	70 - 37
R77473	3G4	45	40 - 97	R78026	5E6	6	60 - 54	R78053	6G9	14	70 - 106
R77474	3G4	44	40 - 97	R78026	5E7	6	60 - 55	R78053	7F22	25	90 - 43
R77475	3G2	13	40 - 95	R78027	5D17	2	60 - 38	R78053	10E24	16	160 - 3
R77476	3D2	15	40 - 21	R78027	5E5	2	60 - 52	R78054	3F24	17	40 - 93
R77476	3D4	14	40 - 23	R78027	5E6	2	60 - 54	R78054	3G10	12	40 - 103
R77476	3G2	3	40 - 95	R78027	5E7	2	60 - 55	R78055	3D23	19	40 - 43
R77477	3C8	14	40 - 3	R78047	3C8	11	40 - 3	R78055	3F24	22	40 - 93
R77477	3C8	19	40 - 3	R78047	3E20	22	40 - 65	R78055	3G10	8	40 - 103
R77477	3G2	4	40 - 95	R78047	3F24	3	40 - 93	R78056	3F24	26	40 - 93
R77478	3G2	15	40 - 95	R78048	3C8	12	40 - 3	R78056	3G10	10	40 - 103
R77479	3G2	5	40 - 95	R78048	3C18	2	40 - 13	R78057	3C8	11	40 - 3
R77479	3G8	7	40 - 101	R78048	3C24	11	40 - 19	R78057	3E20	21	40 - 65
R77480	3G2	6	40 - 95	R78048	3D21	11	40 - 41	R78057	3E20	23	40 - 65
R77481	3C8	7	40 - 3	R78048	3D23	14	40 - 43	R78057	3E22	23	40 - 67
R77481	3G2	7	40 - 95	R78048	3D23	16	40 - 43	R78057	3F24	2	40 - 93
R77482	3G2	8	40 - 95	R78048	3D23	21	40 - 43	R78057	3G10	11	40 - 103
R77483	3D2	14	40 - 21	R78048	3D25	13	40 - 45	R78058	3D11	33	40 - 31
R77483	3D4	13	40 - 23	R78048	3E2	7	40 - 47	R78058	3D23	19	40 - 43
R77483	3G2	16	40 - 95	R78048	3E2	20	40 - 47	R78058	3E2	14	40 - 47

NUMERICAL INDEX - CONTINUED

PART NO.	GRID	KEY	PAGE	PART NO.	GRID	KEY	PAGE	PART NO.	GRID	KEY	PAGE
R78058	3E2	18	40-47	R78061	4F5	14	50-76	R79606	1F21	24	25-65
R78058	3E6	18	40-51	R78061	5C4	14	60-1	R79606	1F23	24	25-67
R78058	3E22	25	40-67	R78061	6D16	16	70-37	R79606	2E7	25	30-51
R78058	3F24	23	40-93	R78061	6G9	14	70-106	R79606	2E9	25	30-53
R78058	3G10	8	40-103	R78061	10E24	16	160-3	R79846	1G18	5	25-88
R78058	3G10	10	40-103	R78062	3F24	1	40-93	R79846	2F15	5	30-84
R78058	7F22	25	90-43	R78063	3C18	2	40-13	R79850	2D1	1	30-19
R78059	3D23	19	40-43	R78063	3C24	11	40-19	R79915	1H3	7	25-99
R78059	3E2	14	40-47	R78063	3D11	33	40-31	R79915	2F14	23	30-83
R78059	3E2	18	40-47	R78063	3D21	17	40-41	R79915	3E10	7	40-55
R78059	3E6	16	40-51	R78063	3D23	13	40-43	R80R	9D10	37	121-33
R78059	3E6	18	40-51	R78063	3D23	19	40-43	R80026	1E11	22	25-29
R78059	3F24	1	40-93	R78063	3D23	21	40-43	R80026	1G17	17	25-87
R78059	3G10	8	40-103	R78063	3D23	22	40-43	R80880	4D10	16	50-31
R78059	3G10	9	40-103	R78063	3D23	24	40-43	R80880	4D12	17	50-33
R78059	3G10	10	40-103	R78063	3D25	12	40-45	R82007	1D12	20	25-5
R78059	3G10	11	40-103	R78063	3E2	14	40-47	R82007	1D14	20	25-7
R78059	4F5	14	50-76	R78063	3E2	17	40-47	R82007	2C12	17	30-5
R78059	5C4	14	60-1	R78063	3E2	18	40-47	R82571	6F19	7	70-92
R78059	6D16	16	70-37	R78063	3E4	10	40-49	R82719	2D19	16	30-37
R78059	6E3	8	70-48	R78063	3E8	15	40-53	R83020	1F14	5	25-58
R78059	6G8	9	70-105	R78063	3E8	..	40-53	R83020	1G17	10	25-87
R78059	6G9	14	70-106	R78063	3E18	1	40-63	R83020	2E2	5	30-45
R78059	10E24	16	160-3	R78063	3E20	24	40-65	R83020	2F14	8	30-83
R78060	3C8	12	40-3	R78063	3E22	25	40-67	R83021	1F14	4	25-58
R78060	3C18	2	40-13	R78063	3F24	1	40-93	R83021	1G17	8	25-87
R78060	3C24	11	40-19	R78063	3F24	7	40-93	R83021	2E2	4	30-45
R78060	3D21	11	40-41	R78063	3G8	4	40-101	R83021	2F14	10	30-83
R78060	3D23	16	40-43	R78063	3G10	1	40-103	R83489	1G14	7	25-83
R78060	3D23	21	40-43	R78063	3G10	2	40-103	R83489	1G17	31	25-87
R78060	3D23	22	40-43	R78063	3G10	6	40-103	R83489	2E17	2	30-61
R78060	3D23	24	40-43	R78063	3G10	7	40-103	R83489	2F10	8	30-79
R78060	3E2	7	40-47	R78063	3G10	12	40-103	R83489	2F12	8	30-81
R78060	3E2	20	40-47	R78063	3G10	13	40-103	R83489	2F14	27	30-83
R78060	3E4	10	40-49	R78063	3H2	6	40-119	R83490	1G14	7	25-83
R78060	3E18	1	40-63	R78063	3H7	13	40-125	R83490	1G17	31	25-87
R78060	3E20	6	40-65	R78063	6G8	15	70-105	R83490	2F14	27	30-83
R78060	3E20	21	40-65	R78063	7F22	25	90-43	R83561	1E25	12	25-43
R78060	3E20	24	40-65	R78064	3F24	27	40-93	R83561	1E25	20	25-43
R78060	3E22	24	40-67	R78065	3D21	1	40-41	R83720	1G10	6	25-79
R78060	3F10	8	40-79	R78079	1G5	9	25-74	R83720	2F3	6	30-72
R78060	3F24	2	40-93	R78079	1G9	9	25-78	R83721	1G10	6	25-79
R78060	3F24	9	40-93	R78124	1E2	3	25-20	R83721	2F3	6	30-72
R78060	3G10	1	40-103	R78124	2C25	3	30-18	R83722	1G10	6	25-79
R78060	3G10	2	40-103	R78134	1E20	2	25-38	R83722	2F3	6	30-72
R78060	3G10	7	40-103	R78134	1E21	2	25-39	R83723	1G10	6	25-79
R78060	3G10	9	40-103	R78379	1F25	3	25-69	R83723	2F3	6	30-72
R78060	3G10	12	40-103	R78696	1E25	7	25-43	R83724	1G10	6	25-79
R78060	3G10	13	40-103	R78773	1G7	12	25-76	R83724	2F3	6	30-72
R78060	3H2	1	40-119	R78774	1G7	11	25-76	R83725	1G10	6	25-79
R78060	3H2	6	40-119	R79117	6F19	9	70-92	R83725	2F3	6	30-72
R78060	3H7	1	40-125	R79187	1E15	3	25-33	R83726	1G10	6	25-79
R78060	6G8	15	70-105	R79187	2D11	4	30-29	R83726	2F3	6	30-72
R78061	3C8	9	40-3	R79604	1F17	22	25-61	R83727	1G10	6	25-79
R78061	3D2	9	40-21	R79604	1F19	22	25-63	R83727	2F3	6	30-72
R78061	3D2	16	40-21	R79604	1F21	22	25-65	R83728	1G10	6	25-79
R78061	3D4	8	40-23	R79604	1F23	22	25-67	R83728	2F3	6	30-72
R78061	3D4	15	40-23	R79604	2E7	23	30-51	R83729	1G10	6	25-79
R78061	3D23	19	40-43	R79604	2E9	23	30-53	R83729	2F3	6	30-72
R78061	3E2	17	40-47	R79605	1F17	23	25-61	R83730	1G10	6	25-79
R78061	3E20	7	40-65	R79605	1F19	23	25-63	R83730	2F3	6	30-72
R78061	3E20	24	40-65	R79605	1F21	23	25-65	R83731	1G10	6	25-79
R78061	3F24	6	40-93	R79605	1F23	23	25-67	R83731	2F3	6	30-72
R78061	3F24	23	40-93	R79605	2E7	24	30-51	R83732	1G10	6	25-79
R78061	3G8	4	40-101	R79605	2E9	24	30-53	R83732	2F3	6	30-72
R78061	3G10	6	40-103	R79606	1F17	24	25-61	R83733	1G10	6	25-79
R78061	3G24	9	40-117	R79606	1F19	24	25-63	R83733	2F3	6	30-72

NUMERICAL INDEX - CONTINUED

PART NO.	GRID	KEY	PAGE	PART NO.	GRID	KEY	PAGE	PART NO.	GRID	KEY	PAGE
R83734	1G10	6	25-79	R86061	1F5	3	25-48	R88397	1F5	4	25-48
R83734	2F3	6	30-72	R86061	1F6	3	25-49	R88397	1F6	4	25-49
R83735	1G10	6	25-79	R86061	2D19	3	30-37	R88397	1G17	12	25-87
R83735	2F3	6	30-72	R86062	1F5	21	25-48	R88397	2D19	4	30-37
R83736	1G10	6	25-79	R86062	1F6	21	25-49	R88397	2F14	13	30-83
R83736	2F3	6	30-72	R86062	1G17	18	25-87	R88829	4E17	11	50-63
R83737	1G10	6	25-79	R86062	2D19	25	30-37	R88959	4E23	3	50-69
R83737	2F3	6	30-72	R86062	2F14	11	30-83	R88972	4E17	1	50-63
R83738	1G10	6	25-79	R86063	1F6	20	25-49	R88972	4E17	6	50-63
R83738	2F3	6	30-72	R86156	1F8	3	25-51	R88993	1G17	2	25-87
R83739	1G10	6	25-79	R86427	1E11	19	25-29	R88993	2F14	1	30-83
R83739	2F3	6	30-72	R86427	1E11	27	25-29	R89014	1G4	..	25-73
R84261	9D10	11	121-33	R86457	2E5	24	30-49	R89014	2E5	24	30-49
R84472	1F17	16	25-61	R86457	2E11	24	30-55	R89014	2E11	24	30-55
R84472	1F17	17	25-61	R86565	1D24	4	25-17	R89014	2E13	24	30-57
R84472	1F19	16	25-63	R86571	1E13	2	25-31	R89014	2E15	24	30-59
R84472	1F19	17	25-63	R86571	2D8	2	30-26	R89014	2E19	24	30-63
R84472	1F21	16	25-65	R86743	1F8	15	25-51	R89014	2E21	24	30-65
R84472	1F23	16	25-67	R86743	1G17	5	25-87	R89015	4E25	14	50-71
R84472	1G10	12	25-79	R86743	2F14	4	30-83	R89056	1F5	20	25-48
R84472	1G12	10	25-81	R86875	1E21	7	25-39	R89142	7F22	10	90-43
R84472	1G12	11	25-81	R86875	1E23	15	25-41	R89143	7F22	4	90-43
R84472	1G17	13	25-87	R86886	4D14	4	50-35	R89439	1F5	11	25-48
R84472	2E7	15	30-51	R87082	1F17	19	25-61	R89439	1F6	11	25-49
R84472	2E9	15	30-53	R87082	1F19	19	25-63	R89439	2D19	12	30-37
R84472	2E9	16	30-53	R87082	1F21	19	25-65	R89610	4E17	12	50-63
R84472	2F3	12	30-72	R87082	1F23	19	25-67	R89790	1F8	6	25-51
R84472	2F4	12	30-73	R87082	2E7	18	30-51	R89790	2D20	1	30-38
R84472	2F6	10	30-75	R87082	2E9	18	30-53	R89879	1G17	7	25-87
R84472	2F6	11	30-75	R87316	1F8	7	25-51	R89879	2F14	7	30-83
R84472	2F8	10	30-77	R87316	1G17	9	25-87	R89927	1G14	13	25-83
R84472	2F8	11	30-77	R87345	8I2	12	120-57	R89927	2F10	10	30-79
R84472	2F14	14	30-83	R87544	1D16	1	25-9	R89927	2F12	10	30-81
R84618	1E11	23	25-29	R87544	1D24	4	25-17	R90521	8E13	5	110-61
R84618	2D5	16	30-23	R87544	1D24	5	25-17	R90521	8E15	3	110-63
R84619	1E11	24	25-29	R87544	1D24	6	25-17	R90529	1G12	4	25-81
R84619	2D5	17	30-23	R87544	1G18	2	25-88	R90529	2F6	4	30-75
R84828	1E6	2	25-24	R87561	1D12	21	25-5	R90529	2F8	4	30-77
R84828	1E6	4	25-24	R87561	1D14	21	25-7	R90530	1G12	4	25-81
R84828	1E9	15	25-27	R87561	1D22	1	25-15	R90530	2F6	4	30-75
R84943	5D22	1	60-43	R87561	1E6	1	25-24	R90530	2F8	4	30-77
R84946	1E23	9	25-41	R87561	1E7	1	25-25	R90531	1G12	4	25-81
R84946	1E23	23	25-41	R87561	2C12	18	30-5	R90531	2F6	4	30-75
R84947	1E23	23	25-41	R87561	2C20	1	30-13	R90531	2F8	4	30-77
R84958	1E6	6	25-24	R87561	2D3	1	30-21	R90532	1G12	4	25-81
R84959	1E6	7	25-24	R87570	1D12	10	25-5	R90532	2F6	4	30-75
R84959	1E7	7	25-25	R87570	1D24	5	25-17	R90532	2F8	4	30-77
R84960	1E6	10	25-24	R87570	1E5	8	25-23	R90533	1G12	4	25-81
R84960	1E7	10	25-25	R87570	1E6	6	25-24	R90533	2F6	4	30-75
R84976	1E11	15	25-29	R87570	1E6	6A	25-24	R90533	2F8	4	30-77
R84976	2D5	12	30-23	R87570	1E25	6	25-43	R90534	1G12	4	25-81
R84977	1E11	16	25-29	R87634	1E25	19	25-43	R90534	2F6	4	30-75
R84977	2D5	13	30-23	R87682	1F11	11	25-55	R90534	2F8	4	30-77
R85027	1E9	14	25-27	R87682	2D23	8	30-41	R90535	1G12	4	25-81
R85027	2D6	14	30-24	R87789	3G24	1	40-117	R90535	2F6	4	30-75
R85168	9C17	10	121-15	R88043	1E11	7	25-29	R90535	2F8	4	30-77
R85169	9C17	11	121-15	R88043	1E11	11	25-29	R90536	1G12	4	25-81
R85319	1E6	3	25-24	R88043	2D5	8	30-23	R90536	2F6	4	30-75
R85319	1E7	3	25-25	R88044	1E11	6	25-29	R90536	2F8	4	30-77
R85373	4E25	15	50-71	R88044	1E11	10	25-29	R90537	1G12	4	25-81
R85374	4E25	8	50-71	R88045	1E11	5	25-29	R90537	2F6	4	30-75
R85376	4E25	9	50-71	R88045	1E11	9	25-29	R90537	2F8	4	30-77
R85378	4E25	10	50-71	R88379	1D12	24	25-5	R90538	1G12	4	25-81
R85588	4E21	1	50-67	R88379	1D16	1	25-9	R90538	2F6	4	30-75
R85688	7H17	7	90-88	R88379	1D18	1	25-11	R90538	2F8	4	30-77
R86007	1F5	12	25-48	R88380	1D12	24	25-5	R90539	1G12	4	25-81
R86007	2D19	8	30-37	R88380	1D16	1	25-9	R90539	2F6	4	30-75

NUMERICAL INDEX - CONTINUED

PART NO.	GRID	KEY	PAGE	PART NO.	GRID	KEY	PAGE	PART NO.	GRID	KEY	PAGE
R90539	2F8	4	30-77	R93315	1E11	24	25-29	R98527	1E25	23	25-43
R90540	1G12	4	25-81	R93315	2D5	17	30-23	R98527	1F2	12	25-45
R90540	2F6	4	30-75	R93349	1E11	15	25-29	R99047	1G4	..	25-73
R90540	2F8	4	30-77	R93349	2D5	13	30-23	R99047	2E5	24	30-49
R90541	1G12	4	25-81	R93350	1E11	16	25-29	R99047	2E11	24	30-55
R90541	2F6	4	30-75	R93350	2D5	12	30-23	R99047	2E13	24	30-57
R90541	2F8	4	30-77	R93948	1D23	11	25-16	R99047	2E15	24	30-59
R90542	1G12	4	25-81	R93948	2C22	11	30-15	R99047	2E19	24	30-63
R90542	2F6	4	30-75	R93953	1F4	4	25-47	R99047	2E21	24	30-65
R90542	2F8	4	30-77	R94338	1F15	2	25-59	R99173	3D17	27	40-37
R90543	1G12	4	25-81	R94338	2D17	2	30-35	R99244	4D19	16	50-40
R90543	2F6	4	30-75	R94400	1G12	3	25-81	R99244	4D20	16	50-41
R90543	2F8	4	30-77	R94400	2F6	3	30-75	R99377	4E20	1	50-66
R90544	1G12	4	25-81	R94400	2F8	3	30-77	R99463	2D2	7	30-20
R90544	2F6	4	30-75	R94410	1G12	6	25-81	R99464	2D2	14	30-20
R90544	2F8	4	30-77	R94410	2F6	6	30-75	R99464	2F14	20	30-83
R90565	6F19	4	70-92	R94410	2F8	6	30-77	R99531	1G8	1	25-77
R90979	1F8	2	25-51	R94412	1G12	7	25-81	R99531	1G15	1	25-85
R90980	1F8	4	25-51	R94412	2F6	7	30-75	R99531	2E22	1	30-66
R91519	1F14	1	25-58	R94412	2F8	7	30-77	R99531	2E24	1	30-68
R91519	2E2	1	30-45	R94414	1G12	9	25-81	R99622	1F6	15	25-49
R91604	1F5	15	25-48	R94414	2F6	9	30-75	R99864	1F5	15	25-48
R91604	1F5	16	25-48	R94414	2F8	9	30-77	R99864	1F5	16	25-48
R91732	1E11	4	25-29	R94561	2C14	..	30-7	SE500178	1F23	17	25-67
R91747	1E6	2	25-24	R94561	2C16	1	30-9	TY15130	8D22	..	110-45
R91747	1E9	15	25-27	R94615	2D13	8	30-31	TY15130	9C5	..	121-3
R91747	2D3	2	30-21	R94618	2D13	1	30-31	TY15130	9C7	..	121-5
R91822	1E11	4	25-29	R94618	2F14	33	30-83	TY15130	9C19	..	121-17
R91822	2D5	4	30-23	R94619	2D13	3	30-31	TY15130	9C21	..	121-19
R91824	1F17	38	25-61	R94619	2F14	29	30-83	TY15130	9C23	..	121-21
R91824	1G4	5	25-73	R94648	2E5	24	30-49	TY15130	9C25	..	121-23
R91824	2E5	6	30-49	R94648	2E11	24	30-55	TY15130	9D10	..	121-33
R91824	2E11	6	30-55	R96418	2D13	1	30-31	TY15130	10C23	..	130-21
R91824	2E13	6	30-57	R96518	2D21	2	30-39	TY15451	3D17	20	40-37
R91824	2E15	6	30-59	R96606	2D15	17	30-33	TY15452	3D17	20	40-37
R91824	2E19	6	30-63	R96616	2D15	18	30-33	TY15709	9F8	..	121-79
R91824	2E21	6	30-65	R96616	2D16	5	30-34	TY15949	7H22	..	90-94
R92097	1F11	2	25-55	R96616	2F14	28	30-83	TY15950	7H22	..	90-94
R92097	1G17	7	25-87	R96622	2D15	16	30-33	TY15951	7H22	..	90-94
R92097	2D23	4	30-41	R97061	1F17	29	25-61	TY15969	8D20	..	110-43
R92097	2F14	6	30-83	R97061	1F17	34	25-61	TY16004	1D9	2	25-2
R92104	4E21	3	50-67	R97061	1F19	29	25-63	TY16004	2C9	2	30-2
R92148	4E23	1	50-69	R97061	1F21	29	25-65	TY16005	1D9	3	25-2
R92160	4E17	4	50-63	R97061	1F21	36	25-65	TY16005	2C9	3	30-2
R92387	4E21	7	50-67	R97061	1F23	29	25-67	TY16086	3G2	24	40-95
R92447	1G17	3	25-87	R97061	2E5	4	30-49	TY16285	4C25	..	50-20
R92977	4F2	1	50-73	R97061	2E7	30	30-51	TY16285	4G18	..	50-115
R92978	4F2	6	50-73	R97061	2E9	30	30-53	TY16285	9D10	..	121-33
R92979	4E23	4	50-69	R97061	2E11	4	30-55	TY21765	3F13	8	40-82
R93008	1G14	6	25-83	R97061	2E13	4	30-57	TY22007	1D8	2	25-1
R93008	2F10	7	30-79	R97061	2E15	4	30-59	TY22007	2C8	2	30-1
R93008	2F12	7	30-81	R97061	2E17	5	30-61	TY22008	1D8	2	25-1
R93030	4E17	5	50-63	R97061	2E19	4	30-63	TY22008	2C8	2	30-1
R93105	4E19	6	50-65	R97061	2E21	4	30-65	TY22009	1D8	1	25-1
R93142	4E17	17	50-63	R97237	1G14	19	25-83	TY22009	2C8	1	30-1
R93142	4E23	2	50-69	R97346	1G17	6	25-87	TY22010	1D8	1	25-1
R93180	4E17	3	50-63	R97349	1F11	15	25-55	TY22010	1D8	2	25-1
R93308	1E11	23	25-29	R98064	2D13	10	30-31	TY22010	2C8	1	30-1
R93308	2D5	16	30-23	R98500	1G4	..	25-73	TY22010	2C8	2	30-1
R93311	1E11	24	25-29	R98500	2E5	23	30-49	TY22011	1D8	2	25-1
R93311	2D5	17	30-23	R98500	2E11	23	30-55	TY22011	2C8	2	30-1
R93312	1E11	23	25-29	R98500	2E13	23	30-57	TY22025	7H14	..	90-85
R93312	2D5	16	30-23	R98500	2E15	23	30-59	TY22025	7H22	..	90-94
R93313	1E11	24	25-29	R98500	2E19	23	30-63	TY22041	1D8	..	25-1
R93313	2D5	17	30-23	R98500	2E21	23	30-65	TY22041	2C8	..	30-1
R93314	1E11	23	25-29	R98502	1F25	18	25-69	TY22042	1D8	..	25-1
R93314	2D5	16	30-23	R98502	2E17	24	30-61	TY22042	2C8	..	30-1

NUMERICAL INDEX - CONTINUED

PART NO.	GRID	KEY	PAGE	PART NO.	GRID	KEY	PAGE	PART NO.	GRID	KEY	PAGE
TY22064	1D8	1	25-1	TY6298	2C8	1	30-1	TY6750	3F4	13	40-73
TY22064	2C8	1	30-1	TY6300	1D8	1	25-1	TY6750	3F6	..	40-75
TY22065	1D8	1	25-1	TY6300	2C8	1	30-1	TY6765	7H16	16	90-87
TY22065	2C8	1	30-1	TY6301	1D8	1	25-1	TY6768	7H22	..	90-94
TY22066	1D8	1	25-1	TY6301	2C8	1	30-1	TY6781	1G20	10	25-90
TY22066	2C8	1	30-1	TY6304	4C25	..	50-20	TY6781	1G20	11	25-90
TY22067	1D8	1	25-1	TY6304	4D6	..	50-27	TY6781	2F16	10	30-85
TY22067	2C8	1	30-1	TY6304	4D16	..	50-37	TY6781	2F16	11	30-85
TY22068	1D8	1	25-1	TY6304	4D18	..	50-39	TY6781	2F18	6	30-87
TY22068	2C8	1	30-1	TY6304	9D10	..	121-33	TY9370	4D3	..	50-23
TY22069	1D8	1	25-1	TY6305	4C25	..	50-20	TY9370	7E14	..	90-11
TY22069	2C8	1	30-1	TY6305	4G18	..	50-115	TY9370	7F16	..	90-37
TY22070	1D8	1	25-1	TY6305	9D10	..	121-33	TY9371	4C25	..	50-20
TY22070	2C8	1	30-1	TY6312	1D8	1	25-1	TY9371	4D3	..	50-23
TY22071	1D8	2	25-1	TY6312	2C8	1	30-1	TY9371	4D6	..	50-27
TY22071	2C8	2	30-1	TY6313	1D8	1	25-1	TY9371	7F16	..	90-37
TY22073	1D8	1	25-1	TY6313	2C8	1	30-1	TY9371	8G15	..	120-21
TY22073	2C8	1	30-1	TY6333	8D20	..	110-43	TY9371	9C15	..	121-13
TY22074	1D8	1	25-1	TY6333	8H10	..	120-41	TY9373	4D3	..	50-23
TY22074	2C8	1	30-1	TY6333	8H12	..	120-43	TY9373	7F16	..	90-37
TY22101	7H14	..	90-85	TY6333	9D10	..	121-33	TY9374	9C11	..	121-9
TY22101	7H22	..	90-94	TY6359	1D8	1	25-1	TY9473	4G18	..	50-115
TY22324	2G20	8	32-19	TY6359	2C8	1	30-1	TY9478	4D3	..	50-23
TY22326	9E6	20	121-53	TY6360	1D8	1	25-1	TY9478	7F16	..	90-37
TY22326	9E22	4	121-69	TY6360	2C8	1	30-1	T105740	4F7	9	50-79
TY22326	9I12	3	125-75	TY6361	1D8	1	25-1	T105740	4F11	7	50-83
TY22326	10E10	24	130-57	TY6361	2C8	1	30-1	T105740	4F15	6	50-87
TY22328	7I2	5	90-99	TY6364	1D8	1	25-1	T105740	4F17	6	50-89
TY22329	9D24	11	121-47	TY6364	2C8	1	30-1	T105740	4F21	6	50-93
TY22330	7I2	4	90-99	TY6389	1D8	1	25-1	T105740	4F25	6	50-97
TY22418	2G4	23	32-3	TY6389	2C8	1	30-1	T10745	3F4	4	40-73
TY22418	2G8	2	32-7	TY6390	1D8	1	25-1	T10745	3F6	2	40-75
TY22424	1C18	4	20-23	TY6390	2C8	1	30-1	T11180	1F11	18	25-55
TY22462	2G8	1	32-7	TY6391	1D8	1	25-1	T11180	2D23	1	30-41
TY22462	2G22	2	32-21	TY6391	2C8	1	30-1	T119912	9E4	22	121-51
TY22465	2G4	5	32-3	TY6392	1D8	1	25-1	T12033	4C8	3	50-3
TY22465	2G8	5	32-7	TY6392	2C8	1	30-1	T12960	6C23	7	70-19
TY22465	7I2	3	90-99	TY6393	1D8	1	25-1	T13119	2G12	9	32-11
TY22465	9E2	10	121-49	TY6393	2C8	1	30-1	T13119	6G20	5	70-118
TY22467	1F11	10	25-55	TY6394	1D8	1	25-1	T134452	1G20	12	25-90
TY22467	2D23	7	30-41	TY6394	2C8	1	30-1	T134452	1G24	1	25-95
TY22470	2G18	6	32-17	TY6617	1G19	5	25-89	T134452	2F16	12	30-85
TY22470	2G20	1	32-19	TY6617	1G19	..	25-89	T134452	2F19	9	30-88
TY22471	1G20	..	25-90	TY6617	2F20	5	30-89	T134453	1G20	12	25-90
TY22472	2G20	1	32-19	TY6617	2F20	..	30-89	T134453	1G24	1	25-95
TY22472	2G20	13	32-19	TY6626	7H14	18	90-85	T134453	2F16	12	30-85
TY22472	7H8	27	90-79	TY6626	7H17	16	90-88	T134453	2F19	9	30-88
TY22474	7H12	20	90-83	TY6653	3F2	11	40-71	T134454	1G20	12	25-90
TY22475	6D18	15A	70-39	TY6653	3F2	12	40-71	T134454	1G24	1	25-95
TY22475	6D20	18A	70-41	TY6653	3F2	15	40-71	T134454	2F16	12	30-85
TY22494	9C17	21	121-15	TY6653	3F2	22	40-71	T134454	2F19	9	30-88
TY22494	9D4	46	121-27	TY6653	3F2	..	40-71	T134455	1G20	12	25-90
TY22494	9D4	47	121-27	TY6653	3F3	1	40-72	T134455	1G24	1	25-95
TY22566	2G22	1	32-21	TY6713	1G19	5	25-89	T134455	2F16	12	30-85
TY24485	3F4	1	40-73	TY6713	1G19	..	25-89	T134455	2F19	9	30-88
TY24485	3F4	13	40-73	TY6713	1G25	17	25-96	T134456	1G20	12	25-90
TY24485	3F6	10	40-75	TY6713	2F20	5	30-89	T134456	1G24	1	25-95
TY24485	3F6	11	40-75	TY6713	2F20	..	30-89	T134456	2F16	12	30-85
TY24485	3F6	15	40-75	TY6731	1G20	10	25-90	T134456	2F19	9	30-88
TY24485	3F6	..	40-75	TY6731	1G20	11	25-90	T134459	1G20	8	25-90
TY2615	9G14	19	125-29	TY6731	1G22	6	25-93	T134459	1G24	5	25-95
TY6167	3F13	8	40-82	TY6731	2F16	10	30-85	T134459	2F16	8	30-85
TY6280	1D8	1	25-1	TY6731	2F16	11	30-85	T134459	2F19	6	30-88
TY6280	2C8	1	30-1	TY6731	2F18	6	30-87	T13814	1G14	11	25-83
TY6297	1D8	1	25-1	TY6748	3F2	..	40-71	T13814	1H3	4	25-99
TY6297	2C8	1	30-1	TY6748	3F3	1	40-72	T13814	2E17	28	30-61
TY6298	1D8	1	25-1	TY6750	3F4	1	40-73	T13814	2F21	2	30-90

1L23

9500 AND SIDEHILL 9500 MAXIMIZER™ COMBINES

NUMERICAL INDEX - CONTINUED

PART NO.	GRID	KEY	PAGE	PART NO.	GRID	KEY	PAGE	PART NO.	GRID	KEY	PAGE
T14065	4E4	14	50 - 49	T23529	7H2	29	90 - 73	T35440	3D13	24	40 - 33
T14323	9C11	18	121 - 9	T23891	1E3	2	25 - 21	T37851	10C9	11	130 - 7
T146102	1G20	8	25 - 90	T23891	2D1	2	30 - 19	T38377	2G4	28	32 - 3
T146102	1G24	5	25 - 95	T24167	3C8	13	40 - 3	T38377	9E2	18	121 - 49
T146102	2F16	8	30 - 85	T24210	1G8	2	25 - 77	T40867	7C22	24	80 - 25
T146102	2F19	6	30 - 88	T24210	1G15	2	25 - 85	T41201	9C23	4	121 - 21
T146104	1G20	12	25 - 90	T24210	2E22	2	30 - 66	T41201	9C25	4	121 - 23
T146104	1G24	1	25 - 95	T24210	2E24	2	30 - 68	T42798	6G15	20	70 - 113
T146104	2F16	12	30 - 85	T24229	1G8	5	25 - 77	T42802	6G15	2	70 - 113
T146104	2F19	9	30 - 88	T24229	1G15	5	25 - 85	T43512	4G18	..	50 - 115
T146106	1G20	12	25 - 90	T24715	6G15	30	70 - 113	T43512	4G20	..	50 - 117
T146106	1G24	1	25 - 95	T25343	3F2	22	40 - 71	T43512	8D20	..	110 - 43
T146106	2F16	12	30 - 85	T25353	3F2	11	40 - 71	T43512	8D22	..	110 - 45
T146106	2F19	9	30 - 88	T25473	4G18	7	50 - 115	T43512	9C21	..	121 - 19
T146515	1G20	12	25 - 90	T26257	6E10	15	70 - 57	T43512	9C23	..	121 - 21
T146515	1G24	1	25 - 95	T27523	6C13	3	70 - 9	T43512	9C25	..	121 - 23
T146515	2F16	12	30 - 85	T27523	9H14	7	125 - 53	T43512	9D10	..	121 - 33
T146515	2F19	9	30 - 88	T27821	8C23	13	110 - 21	T43514	4D6	13	50 - 27
T146516	1G20	12	25 - 90	T27860	1E2	2	25 - 20	T43514	8C17	20	110 - 15
T146516	1G24	1	25 - 95	T27860	2C25	2	30 - 18	T43514	8C17	21	110 - 15
T146516	2F16	12	30 - 85	T27888	4D4	3	50 - 24	T45132	6G8	27	70 - 105
T146516	2F19	9	30 - 88	T27986	6C19	9	70 - 15	T45167	4D14	2	50 - 35
T146517	1G20	12	25 - 90	T28077	2G4	4	32 - 3	T46726	2G10	10	32 - 9
T146517	1G24	1	25 - 95	T28077	6C19	15	70 - 15	T47836	9D10	33	121 - 33
T146517	2F16	12	30 - 85	T28583	3C8	8	40 - 3	T49676	9C9	14	121 - 7
T146517	2F19	9	30 - 88	T28583	3C22	6	40 - 17	T50409	9C9	13	121 - 7
T15005	3C10	14	40 - 5	T28583	3C24	6	40 - 19	T50415	9C11	1	121 - 9
T15712	2G12	9	32 - 11	T28583	3E2	19	40 - 47	T519T	7F22	3	90 - 43
T16193	7F18	8	90 - 39	T28583	3G2	1	40 - 95	T531T	3D11	20	40 - 31
T16193	8D24	8	110 - 47	T28583	3G6	34	40 - 99	T531T	3D13	20	40 - 33
T17568	2G4	14	32 - 3	T28585	3C16	12	40 - 11	T55201	7G5	12	90 - 51
T17568	2G4	23	32 - 3	T28585	3C16	16	40 - 11	T55501	5D4	5	60 - 25
T17568	2G4	30	32 - 3	T28585	3G2	12	40 - 95	T55501	7H2	5	90 - 73
T17568	2G8	21	32 - 7	T28585	3G6	35	40 - 99	T55585	5D4	6	60 - 25
T19832	4E2	26	50 - 47	T28586	3D2	17	40 - 21	T55585	7H2	6	90 - 73
T19832	4E12	38	50 - 57	T28586	3D4	16	40 - 23	T55761	8D20	26	110 - 43
T20077	1E11	2	25 - 29	T28586	3G2	14	40 - 95	T55761	8F8	10	110 - 81
T20077	2D5	2	30 - 23	T28586	7H10	8	90 - 81	T60314	6G8	32	70 - 105
T20129	1E11	1	25 - 29	T28860	2G8	20	32 - 7	T62323	5D20	12	60 - 41
T20129	2D5	1	30 - 23	T28862	2D23	3	30 - 41	T62508	9C11	2	121 - 9
T20217	8E6	5	110 - 53	T28949	2G4	28	32 - 3	T62509	9C11	4	121 - 9
T20217	8J9	4	120 - 88	T29100	3F2	2	40 - 71	T62828	7G5	1	90 - 51
T20217	9D16	20	121 - 39	T29342	4E2	19	50 - 47	T62843	9H18	13	125 - 57
T20217	10D10	7	130 - 33	T29342	4H2	4	50 - 123	T63817	6C7	8	70 - 3
T20294	1E4	5	25 - 22	T31556	1G8	4	25 - 77	T65643	6C7	7	70 - 3
T20294	1E5	5	25 - 23	T31556	1G15	4	25 - 85	T69027	9C19	18	121 - 17
T20294	1E12	2	25 - 30	T32231	1F3	..	25 - 46	T69027	9C21	8	121 - 19
T20294	2D7	2	30 - 25	T32231	1F8	..	25 - 51	T70309	9C9	12	121 - 7
T20328	1E4	6	25 - 22	T32231	2D20	..	30 - 38	T70694	1C18	9	20 - 23
T20328	1E5	6	25 - 23	T32231	2D21	..	30 - 39	T72393	4F9	12	50 - 81
T20328	1E12	3	25 - 30	T32231	2G10	3	32 - 9	T72393	4F17	19	50 - 89
T20328	1G17	26	25 - 87	T32231	2G12	3	32 - 11	T72393	4F19	16	50 - 91
T20328	2D7	3	30 - 25	T32231	3E20	12	40 - 65	T72393	4F23	16	50 - 95
T20328	2F14	21	30 - 83	T32255	3D11	19	40 - 31	T72393	4F25	16	50 - 97
T21242	1E3	2	25 - 21	T32255	3D13	5	40 - 33	T72393	4G2	12	50 - 99
T21242	1E15	2	25 - 33	T32255	3D13	19	40 - 33	T72393	6C25	11	70 - 21
T21242	1E17	3	25 - 35	T34067	3D2	13	40 - 21	T74410	3E8	12	40 - 53
T21242	1E19	1	25 - 37	T34067	3D2	16	40 - 21	T74416	2D23	11	30 - 41
T21242	2D1	2	30 - 19	T34067	3D4	12	40 - 23	T75984	6D16	2	70 - 37
T21242	2D11	3	30 - 29	T34067	3D4	15	40 - 23	T75984	6E10	12	70 - 57
T22714	9D16	23	121 - 39	T34067	3G2	18	40 - 95	T75984	6E12	12	70 - 59
T22828	6F19	2	70 - 92	T34354	9C19	9	121 - 17	T75984	6E14	12	70 - 61
T22875	5D4	31	60 - 25	T34354	9C21	5	121 - 19	T75984	6E15	12	70 - 62
T22875	7H2	31	90 - 73	T34355	9C19	9	121 - 17	T75984	6E17	12	70 - 65
T23027	7F4	2	90 - 25	T34355	9C21	5	121 - 19	T75984	6E21	12	70 - 69
T23033	7F4	6	90 - 25	T34356	9C19	9	121 - 17	T75984	10E24	2	160 - 3
T23529	5D4	29	60 - 25	T34356	9C21	5	121 - 19	T76719	2G4	28	32 - 3

NUMERICAL INDEX - CONTINUED

PART NO.	GRID	KEY	PAGE	PART NO.	GRID	KEY	PAGE	PART NO.	GRID	KEY	PAGE
T76719	9E2	19	121 - 49	T77857	6D18	21	70 - 39	T77932	9H16	20	125 - 55
T76836	4C25	10	50 - 20	T77857	6D20	23	70 - 41	T77932	9H18	12	125 - 57
T76938	4G8	1	50 - 105	T77857	6D22	16	70 - 43	T78313	4F7	7	50 - 79
T76938	4G8	30	50 - 105	T77857	6F22	1	70 - 95	T78313	4F9	6	50 - 81
T76938	4G10	2	50 - 107	T77857	6F24	13	70 - 97	T78313	4F11	5	50 - 83
T76938	5D2	10	60 - 23	T77857	6G2	13	70 - 99	T78313	4F13	5	50 - 85
T76938	6C25	25	70 - 21	T77857	6G9	2	70 - 106	T78313	4F15	8	50 - 87
T76938	6E5	17	70 - 51	T77857	6G22	10	70 - 121	T78313	4F17	8	50 - 89
T76938	6E5	22	70 - 51	T77857	6G24	3	70 - 123	T78313	4F19	4	50 - 91
T76938	6H8	6	70 - 131	T77857	6H2	7	70 - 125	T78313	4F21	8	50 - 93
T76938	9H12	10	125 - 51	T77857	6H4	9	70 - 127	T78313	4F23	4	50 - 95
T77514	6G8	24	70 - 105	T77857	6H6	10	70 - 129	T78313	4F25	8	50 - 97
T77613	2G6	1	32 - 5	T77857	6H8	3	70 - 131	T78313	4G2	6	50 - 99
T77613	2G8	7	32 - 7	T77857	9H14	4	125 - 53	T78313	4G4	4	50 - 101
T77613	4F11	23	50 - 83	T77857	9H16	5	125 - 55	T78313	4G6	4	50 - 103
T77613	4F13	20	50 - 85	T77857	9H18	5	125 - 57	T78313	4G14	29	50 - 111
T77613	4G14	4	50 - 111	T77857	10E23	2	160 - 2	T78313	4G14	37	50 - 111
T77613	4G16	4	50 - 113	T77858	4F7	3	50 - 79	T78313	4G16	31	50 - 113
T77613	4H4	3	50 - 125	T77858	4F9	3	50 - 81	T78313	6H8	9	70 - 131
T77613	4H6	3	50 - 127	T77858	4F11	3	50 - 83	T78612	6H8	7	70 - 131
T77613	5C8	3	60 - 5	T77858	4F11	19	50 - 83	T78646	6C19	5	70 - 15
T77613	5C10	4	60 - 7	T77858	4F13	3	50 - 85	T78707	4H7	11	50 - 128
T77613	5D12	1	60 - 33	T77858	4F13	16	50 - 85	T78715	4G10	1	50 - 107
T77613	5D14	3	60 - 35	T77858	4F15	7	50 - 87	T78716	6D10	5	70 - 31
T77613	5D16	3	60 - 37	T77858	4F17	7	50 - 89	T78716	9H16	4	125 - 55
T77613	6C13	7	70 - 9	T77858	4F19	8	50 - 91	T78716	9H18	4	125 - 57
T77613	6C15	2	70 - 11	T77858	4F21	7	50 - 93	T78784	6H8	8	70 - 131
T77613	6D2	1	70 - 23	T77858	4F23	8	50 - 95	T79098	4D22	4	50 - 43
T77613	6D4	22	70 - 25	T77858	4F25	7	50 - 97	T79098	4D24	4	50 - 45
T77613	6D6	30	70 - 27	T77858	4G2	3	50 - 99	T80306	6F24	1	70 - 97
T77613	6D12	7	70 - 33	T77858	4G4	7	50 - 101	T80306	9H16	23	125 - 55
T77613	6D20	1	70 - 41	T77858	4G6	7	50 - 103	T80394	3G21	1	40 - 114
T77613	6D22	1	70 - 43	T77858	4G8	2	50 - 105	T80906	6C19	11	70 - 15
T77613	6E7	6	70 - 53	T77858	4G10	4	50 - 107	T81029	2G8	16	32 - 7
T77613	6F8	4	70 - 81	T77858	4G12	1	50 - 109	T81029	4G14	6	50 - 111
T77613	6F10	6	70 - 83	T77858	4G14	1	50 - 111	T81029	4G16	6	50 - 113
T77613	6F20	11	70 - 93	T77858	4G16	1	50 - 113	T81029	5D12	2	60 - 33
T77613	6G11	4	70 - 109	T77858	4G18	3	50 - 115	T81029	5D14	19	60 - 35
T77613	6G13	4	70 - 111	T77858	4G20	3	50 - 117	T81029	5D16	19	60 - 37
T77613	6H6	8	70 - 129	T77858	4H7	2	50 - 128	T81029	6C13	4	70 - 9
T77613	6H8	2	70 - 131	T77858	5D2	3	60 - 23	T81029	6F8	3	70 - 81
T77814	4G14	8	50 - 111	T77858	6C25	3	70 - 21	T84409	1G24	5	25 - 95
T77814	4G16	8	50 - 113	T77858	6D24	10	70 - 45	T84410	1G24	1	25 - 95
T77814	5D14	12	60 - 35	T77858	6E2	4	70 - 47	T84411	1G24	1	25 - 95
T77814	5D16	12	60 - 37	T77858	6E2	11	70 - 47	T84412	1G24	1	25 - 95
T77814	6D4	4	70 - 25	T77858	6H8	5	70 - 131	T84413	1G24	1	25 - 95
T77814	6D6	4	70 - 27	T77858	9H12	1	125 - 51	T84578	1G24	1	25 - 95
T77814	6D12	8	70 - 33	T77858	9H14	15	125 - 53	U10063	5C6	14	60 - 3
T77814	6E7	9	70 - 53	T77932	4F4	14	50 - 75	U10063	9D10	20	121 - 33
T77814	6F20	8	70 - 93	T77932	4G18	6	50 - 115	U10746	4D8	21	50 - 29
T77814	6H6	6	70 - 129	T77932	4G20	6	50 - 117	U10776	4D6	13	50 - 27
T77814	6H8	1	70 - 131	T77932	5D8	5	60 - 29	U10776	4D8	4	50 - 29
T77857	4F5	2	50 - 76	T77932	5D10	1	60 - 31	U11647	4E19	1	50 - 65
T77857	4G14	36	50 - 111	T77932	6C9	3	70 - 5	U11647	4E25	1	50 - 71
T77857	4G16	30	50 - 113	T77932	6C15	11	70 - 11	U12547	4E12	32	50 - 57
T77857	4G18	2	50 - 115	T77932	6C23	12	70 - 19	U12547	4E14	2	50 - 59
T77857	5C4	2	60 - 1	T77932	6D24	3	70 - 45	U12547	4F3	12	50 - 74
T77857	5C10	13	60 - 7	T77932	6E5	3	70 - 51	U12547	4F4	12	50 - 75
T77857	5D2	7	60 - 23	T77932	6F22	2	70 - 95	U12547	4F5	11	50 - 76
T77857	5D8	3	60 - 29	T77932	6F24	2	70 - 97	U12547	4F7	1	50 - 79
T77857	5D10	2	60 - 31	T77932	6G2	2	70 - 99	U12547	4F9	1	50 - 81
T77857	5D12	11	60 - 33	T77932	6G22	6	70 - 121	U12547	4F11	1	50 - 83
T77857	6C23	13	70 - 19	T77932	6G24	2	70 - 123	U12547	4F13	1	50 - 85
T77857	6C25	7	70 - 21	T77932	6H2	6	70 - 125	U12547	4F19	6	50 - 91
T77857	6D2	35	70 - 23	T77932	6H6	19	70 - 129	U12547	4F23	6	50 - 95
T77857	6D8	3	70 - 29	T77932	6H8	4	70 - 131	U12547	4G2	1	50 - 99
T77857	6D10	3	70 - 31	T77932	9H14	1	125 - 53	U12547	4G4	5	50 - 101

1L25

9500 AND SIDEHILL 9500 MAXIMIZER™ COMBINES

NUMERICAL INDEX - CONTINUED

PART NO.	GRID	KEY	PAGE	PART NO.	GRID	KEY	PAGE	PART NO.	GRID	KEY	PAGE
U12547	4G6	5	50 - 103	U42902	6E10	26	70 - 57				
U12547	4G8	19	50 - 105	U46370	3G2	20	40 - 95				
U12547	4G10	11	50 - 107	U46370	3G6	36	40 - 99				
U12547	4G10	17	50 - 107	U46506	3D13	6	40 - 33				
U12547	4G12	11	50 - 109	U46507	3D13	3	40 - 33				
U12547	4G14	3	50 - 111	U46662	3C8	7	40 - 3				
U12547	4G16	3	50 - 113	U46662	3C8	8	40 - 3				
U12547	4G18	4	50 - 115	U46662	3C8	12	40 - 3				
U12547	4G20	4	50 - 117	U46662	3C8	13	40 - 3				
U12547	5C4	11	60 - 1	U46662	3C8	19	40 - 3				
U12547	5D2	1	60 - 23	U46662	3C22	6	40 - 17				
U12547	6E2	2	70 - 47	U46662	3C24	6	40 - 19				
U12547	6F22	20	70 - 95	U46662	3D21	10	40 - 41				
U12547	6F24	15	70 - 97	U46662	3E2	19	40 - 47				
U12547	6G2	15	70 - 99	U46662	3G2	10	40 - 95				
U12547	6G8	29	70 - 105	U46662	3G6	37	40 - 99				
U12547	6G9	11	70 - 106	U46662	3G8	7	40 - 101				
U12547	6G20	1	70 - 118	U46662	3H2	1	40 - 119				
U12547	6G22	4	70 - 121	U46663	3C22	7	40 - 17				
U13639	1C14	6	20 - 19	U46663	3C24	7	40 - 19				
U13639	1D12	5	25 - 5	U46663	3G6	38	40 - 99				
U13639	1D14	5	25 - 7	U46664	3G4	47	40 - 97				
U13639	1G17	28	25 - 87	U46664	3G6	39	40 - 99				
U13639	2C12	5	30 - 5	W13288	6F12	2	70 - 85				
U13639	2D24	6	30 - 42	W15277	5C21	7	60 - 18				
U13639	2F14	24	30 - 83	W23690	4E4	21	50 - 49				
U14273	9C23	6	121 - 21	W23690	6G15	28	70 - 113				
U14273	9C23	9	121 - 21	W38051	3E6	1	40 - 51				
U14273	9C25	6	121 - 23	W39621	8E19	33	110 - 67				
U14273	9D24	25	121 - 47	W39621	8E21	32	110 - 69				
U15414	6G15	12	70 - 113	W39621	10C23	3	130 - 21				
U15415	4E2	25	50 - 47	Y3082BN	7D2	4	80 - 29				
U15415	4E12	43	50 - 57	Z12964	4D10	16	50 - 31				
U15973	6F19	17	70 - 92	Z12964	4D12	17	50 - 33				
U15974	6G15	3	70 - 113	Z24604	10E6	19	130 - 53				
U17407	4E14	15	50 - 59	Z29304	6G19	16	70 - 117				
U17409	1E20	6	25 - 38	Z33404	9G16	36	125 - 31				
U17409	1E21	6	25 - 39	Z33404	10E16	6	130 - 63				
U17409	1E23	8	25 - 41	Z36140	10C5	7	130 - 3				
U17409	1E23	12	25 - 41	Z38380	10C5	33A	130 - 3				
U17409	2D13	6	30 - 31	Z39238	7C6	29	80 - 9				
U17409	2F14	30	30 - 83	Z39386	7C22	25	80 - 25				
U17409	4E7	4	50 - 52	Z5086H	9G2	38	125 - 17				
U17409	4E8	4	50 - 53	Z56747	6D14	10	70 - 35				
U17409	4E14	12	50 - 59	Z56747	8C5	30	110 - 3				
U40728	6G15	6	70 - 113	Z56747	8C7	26	110 - 5				
U40729	4E14	7	50 - 59	Z60327	10D4	9	130 - 27				
U40745	6E14	20	70 - 61	Z60329	7D6	7	80 - 33				
U40745	6E15	20	70 - 62	122SE	4C8	6	50 - 3				
U40745	6E17	20	70 - 65	124424	8C11	15	110 - 9				
U40745	6E21	20	70 - 69	124424	8C13	12	110 - 11				
U40748	6G15	26	70 - 113	124424	8C17	17	110 - 15				
U40749	6G15	25	70 - 113	32184	8E9	16	110 - 57				
U40750	1E23	22	25 - 41	32243	8D20	2	110 - 43				
U40962	6E8	11	70 - 54	32246	4E4	20	50 - 49				
U40962	6E10	11	70 - 57	400R	9C11	12	121 - 9				
U40962	6E12	11	70 - 59								
U40962	6E14	11	70 - 61								
U40962	6E15	11	70 - 62								
U40962	6E17	11	70 - 65								
U40962	6E21	11	70 - 69								
U41353	4F2	2	50 - 73								
U41516	6G15	16	70 - 113								
U42355	2G4	23	32 - 3								
U42355	2G4	30	32 - 3								
U42355	2G8	22	32 - 7								
U42675	4D12	2	50 - 33								